

BALDOR® • **RELIANCE**

Product Information Packet

EWDM3554T

1.5HP, 1755RPM, 3PH, 60HZ, 145T, 3534M, TENV, F

Part Detail							
Revision:	N	Status:	PRD/A	Change #:		Proprietary:	No
Type:	AC	Prod. Type:	3534M	Elec. Spec:	35WGM613	CD Diagram:	CD0005
Enclosure:	TENV	Mfg Plant:		Mech. Spec:	35SS584	Layout:	35LYSS584
Frame:	145T	Mounting:	F1	Poles:	04	Created Date:	02-13-2012
Base:	RG	Rotation:	R	Insulation:	F	Eff. Date:	01-18-2017
Leads:	9#18					Replaced By:	
Literature:		Elec. Diagram:					

Nameplate NP1669L										
CAT.NO.	EWDM3554T									
SPEC.	35SS584M613G1									
HP	1.5									
VOLTS	230/460									
AMP	4.2/2.1									
RPM	1755									
FRAME	145T				HZ	60			PH	3
SER.F.	1.15		CODE	K	DES	B		CLASS	F	
NEMA-NOM-EFF	86.5		PF	76						
RATING	40C AMB-CONT									
CC	010A				USABLE AT 208V		4.4			
DE	6205			ODE	6203					
ENCL	TENV		SN							
BLANK										

Parts List		
Part Number	Description	Quantity
SA239125	SA 35SS584M613G1	1.000 EA
RA226036	RA 35SS584M613G1	1.000 EA
NS2512A01	INSULATOR, CONDUIT BOX X	1.000 EA
35CB3010A01W	35 CB .75 NPT @ 6:00, WHITE EPOXY	1.000 EA
35GS1040	35 MOLDED GASKET W/LIP, LEAD SEAL,	1.000 EA
51XB1016A08	10-16X 1/2HXWSSLD SERTYB	2.000 EA
11XW1032G06	10-32 X .38, TAPTITE II, HEX WSHR SLTD U	1.000 EA
35EP3100M71MW	SPL FR ENDPLATE -TENV- SP.#9 (WHITE EPOX	1.000 EA
HW4032A01	BLACK DRAIN PLUG FOR WASH DOWN MOTORS	3.000 EA
HW5100A03SP	WAVY WASHER (W1543-017)	1.000 EA
35PE3101A55MW	PUEP ASSEMBLY FOR ROUTING	1.000 EA
HW4032A01	BLACK DRAIN PLUG FOR WASH DOWN MOTORS	3.000 EA
HW4600B49	SEAL 0.938 X 1.624 X 0.250 SINGLE LIP DB	1.000 EA
XY1032S02	10-32 HEX NUT R.H. S STL	4.000 EA
35CB4522	35 LIPPED CB LID PRIMED	1.000 EA
35GS1030A02	35 GS FOR CB LID - WHITE NEOPRENE	1.000 EA
59XW0832S07	TAPTITE II,HEX WSHR UNSLTD SER,410 S.S.,	4.000 EA
HW4600B46	V-RING SLINGER 0.875 X 1.420 X .24 VITON	1.000 EA
HW2502D13	SS KEY, 3/16 SQ X 1.375	1.000 EA
HA7000A01	KEY RETAINER 7/8" DIA SHAFT	1.000 EA
MJ5001A27	32220KN GRAY SEALER *MIN BUY 4 QTS=1GAL	0.001 QT
85XU0407S04	4X1/4 U DRIVE PIN STAINLESS	2.000 EA
LB1164	LABEL,WARNING AND DRAIN	1.000 EA
HA5027A01	HA4066A01 T-DRAIN X2 BAGGED	1.000 EA

Parts List (continued)		
Part Number	Description	Quantity
MJ1000A02	GREASE, POLYREX EM EXXON (USe 4824-15A)	0.050 LB
MG1025Z02	ACTIVATOR WILKOFAS 060.02HF	0.010 GA
MG1025W01	WILKOFAS, 781.01, SIGNAL WHITE #9003	0.017 GA
HA3100S05	THRUBOLT - 10-32 X 10.125 302 OR 303	4.000 EA
LC0005	CONN.DIA.,TY M,9-LD,DUAL VOLT,REVERSING	1.000 EA
NP1669L	SS WD SUPER-E UL CSA-EEV PREM REV MTG	1.000 EA
36PA1000	PKG GRP, PRINT PK1016A06	1.000 EA
PK3082	STYROFOAM CRADLE	1.000 EA
MN416A01	TAG-INSTAL-MAINT no wire (1000/bx) 11/14	1.000 EA

AC Induction Motor Performance Data

Record # 52498 - Typical performance - not guaranteed values

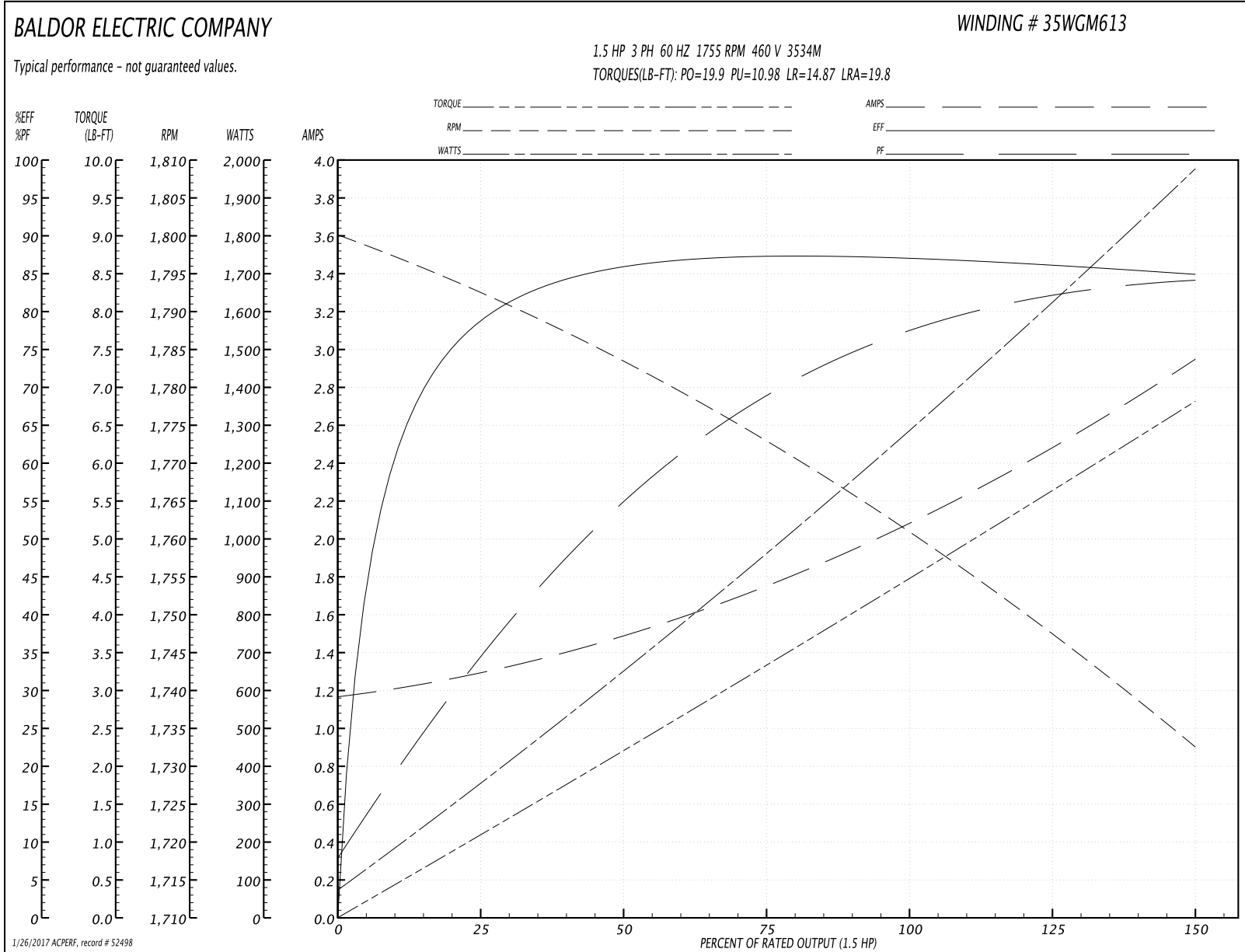
Winding: 35WGM613-R012	Type: 3534M	Enclosure: TENV
-------------------------------	--------------------	------------------------

Nameplate Data				460 V, 60 Hz: High Voltage Connection	
Rated Output (HP)	1.5			Full Load Torque	4.49 LB-FT
Volts	230/460			Start Configuration	direct on line
Full Load Amps	4.2/2.1			Breakdown Torque	19.9 LB-FT
R.P.M.	1755			Pull-up Torque	10.98 LB-FT
Hz	60	Phase	3	Locked-rotor Torque	14.87 LB-FT
NEMA Design Code	B	KVA Code	K	Starting Current	19.8 A
Service Factor (S.F.)	1.15			No-load Current	1.18 A
NEMA Nom. Eff.	86.5	Power Factor	76	Line-line Res. @ 25°C	8.98 Ω
Rating - Duty	40C AMB-CONT			Temp. Rise @ Rated Load	88°C
S.F. Amps				Temp. Rise @ S.F. Load	104°C
				Locked-rotor Power Factor	48.1
				Rotor inertia	0.201 LB-FT ²

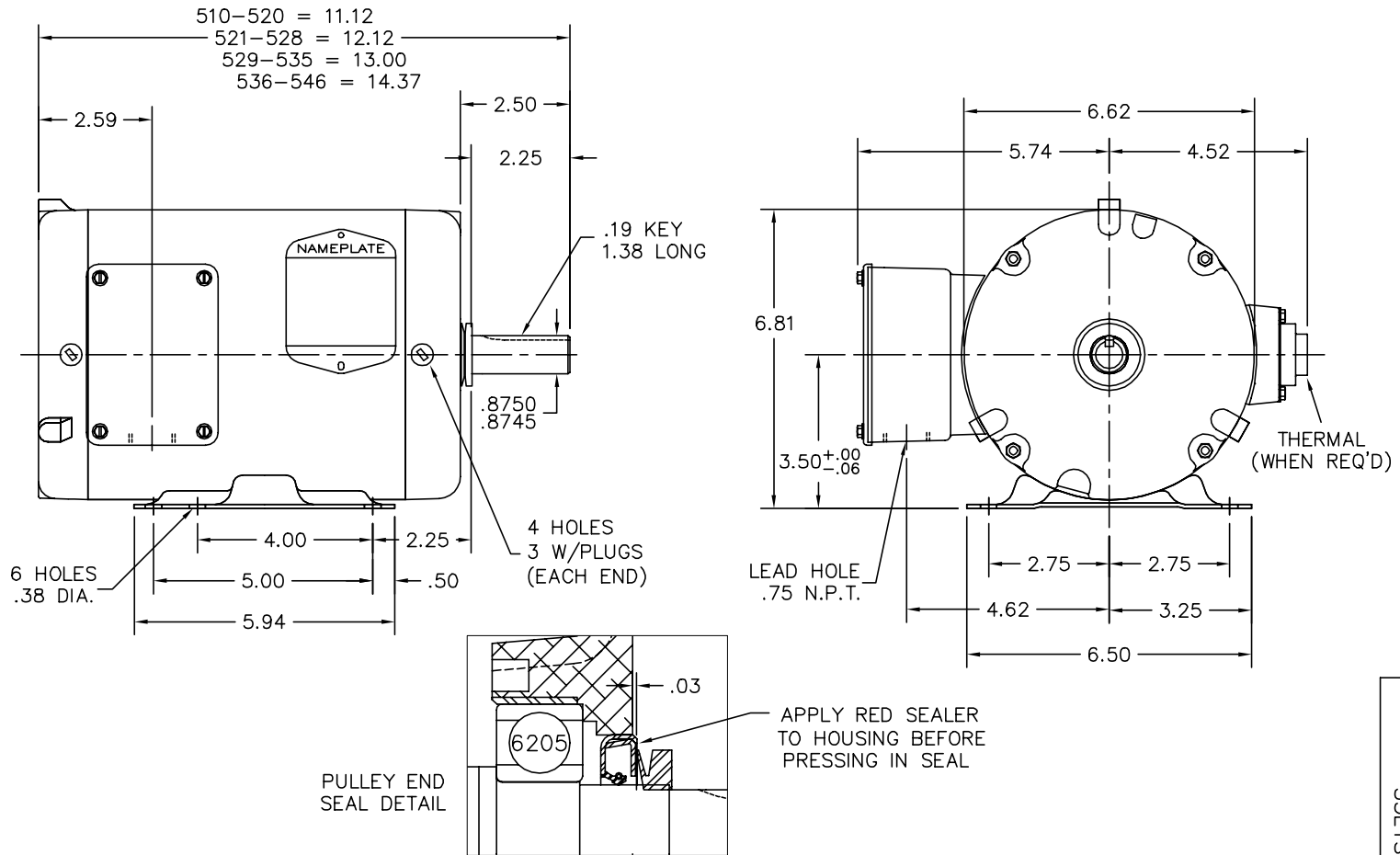
Load Characteristics 460 V, 60 Hz, 1.5 HP

% of Rated Load	25	50	75	100	125	150	S.F.
Power Factor	36	56	69	77	82	85	79
Efficiency	78.6	85.5	87.4	87.1	86.3	84.8	88.5
Speed	1794	1784	1772	1760	1747	1733	1757
Line amperes	1.28	1.48	1.76	2.1	2.5	2.94	2.3

Performance Graph at 460V, 60Hz, 1.5HP Typical performance - Not guaranteed values



35LYSS584



35LYSS584

CUSTOMER IS RESPONSIBLE FOR DETERMINING THAT BALDOR'S PRODUCT WILL PERFORM SUITABLY IN THE INTENDED APPLICATION.

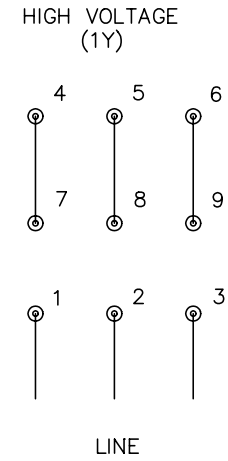
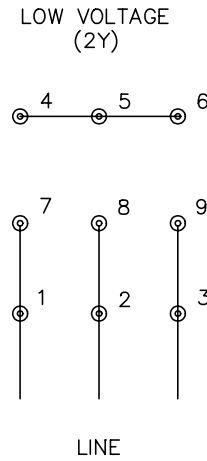
REV. DESC: NEW		
REV. LTR: -	VERSION: 00	TDR: 000000721161
FILE: \AAA\00189\373		REVISED: 11: 37: 54 02/13/2012
MTL: -		BY: ENALEMO

BALDOR

STD HORZ 143-5T TENV 35M WD W/.75 NPT

SH 1 of 1

CD0005



NOTES:

1. INTERCHANGE ANY TWO LINE LEADS TO REVERSE ROTATION.
2. OPTIONAL THERMOSTATS ARE PROVIDED WHEN SPECIFIED.
3. ACTUAL NUMBER OF INTERNAL PARALLEL CIRCUITS MAY BE A MULTIPLE OF THOSE SHOWN ABOVE.
4. LEAD COLORS ARE OPTIONAL. LEADS MUST ALWAYS BE NUMBERED AS SHOWN.

REV. DESC: REVISE TO SHOW OPTIONAL COLORS			
REV. LTR: E	BY: JLP	REVISED: 01/19/99 10:15	TDR: 0171435
900003		FILE: AAA00005140	MDL: -
		MTL: -	

BALDOR ELECTRIC Co.

3PH, DV, 9 LEADS

CD0005