

BALDOR® • RELIANCE

Product Information Packet

JSL625A

1.5HP,3450RPM,1PH,60HZ,56YZ,3524L,OPSB,F

Part Detail							
Revision:	A	Status:	PRD/A	Change #:		Proprietary:	No
Type:	AC	Prod. Type:	3524L	Elec. Spec:	35WGL466	CD Diagram:	CD0203
Enclosure:	OPSB	Mfg Plant:		Mech. Spec:	35E2011	Layout:	35LYE2011
Frame:	56YZ	Mounting:	F1	Poles:	02	Created Date:	01-21-2016
Base:	N	Rotation:	FOS	Insulation:	B	Eff. Date:	02-24-2016
Leads:	4#14 A&J,1#18 B PH,1#12 #1TH					Replaced By:	
Literature:		Elec. Diagram:					

Nameplate NP1257L	
CAT.NO.	JSL625A
SPEC.	35E2011L466G1
HP	1.5
VOLTS	115/230
AMP	18/9
RPM	3450
FRAME	56YZ
SER.F.	1.30
NEMA-NOM-EFF	72
RATING	40C AMB-CONT
CC	
DE	6203
ENCL	OPSB
	SFA 21/10.5
	CODE H
	DES L
	CL B
	PF 75
	HZ 60
	PH 1
	USABLE AT 208V 11
	ODE 6203
	SN

Parts List		
Part Number	Description	Quantity
SA314292	SA 35E2011L466G1	1.000 EA
RA301768	RA 35E2011L466G1	1.000 EA
TPCRJ38CS	THERMAL 1PH 1.00 AUT 135C	1.000 EA
EC1645A06SP	ELEC CAP, 645-774 MFD, 125V, 2.06D X 4.	1.000 EA
11XW1032G06	10-32 X .38, TAPTITE II, HEX WSHR SLTD U	1.000 EA
WD1000B16	T&B CX70TN TERMINAL	1.000 EA
51XB1016A07	10-16 X 7/16 HXWSSLD SERTYB	1.000 EA
35EP3202B17	FREP OPEN 35L RESIL W/.50 NPT, .64 SHAF	1.000 EA
HW5100A03SP	WAVY WASHER (W1543-017)	1.000 EA
WD4100A90	CAPLUG BPF-5/8, FOR .61-.63 HOLE	1.000 EA
SP1033A01	INSULATOR MODEL 35 TERM PANEL	1.000 EA
51XW0832A07	8-32 X .44, TAPTITE II, HEX WSHR SLTD SE	3.000 EA
NS2501A01	INSULATOR, CAPACITOR	1.000 EA
35CB4802A02SP	CAPACITOR COVER, STAMPED X	1.000 EA
51XB1016A05	10-16X5/16HX WA SL SR TYB (F/S)	2.000 EA
34EP3501A03	ENDPLATE, MACH POOL PUMP 17 FRAME-ASSY/K	1.000 EA
51XN1032A16	10-32 X 1.000 HX WS SL SR	2.000 EA
HA6647A03	ADAPTER, 34EP3501 TO 35 FRAME STATOR	1.000 EA
51XN1032A16	10-32 X 1.000 HX WS SL SR	4.000 EA
35AD2013	BAFFLE PLATE, STAMPED STEEL FOR 34EP2502	1.000 EA
HA2001A10	SPACER, .218 ID X .1.250 LG	4.000 EA
11XF0832A24	8.32X1.50HXWSHR HD,SL,TYF	4.000 EA
35CB4500SP	TERMINAL BOX LID STAMPED	1.000 EA
51XW0832A07	8-32 X .44, TAPTITE II, HEX WSHR SLTD SE	2.000 EA

Parts List (continued)		
Part Number	Description	Quantity
HW4600B39SP	V-RING SLINGER 0.550 X 0.790 X .18 VITON	1.000 EA
RM1010A12	.437 I.D. 1" VINYL CAP (SHORT) MOCAP	1.000 EA
85XU0407S04	4X1/4 U DRIVE PIN STAINLESS	2.000 EA
LB1009N	LABEL,ROTATION DIRECTION (ON ROLLS)	1.000 EA
MJ1000A02	GREASE, POLYREX EM EXXON (USe 4824-15A)	0.050 LB
MG1000G27	MED CHARCOAL METALLIC GREY 400-0096	0.017 GA
SP5066A01	MODEL 35 TERMINAL PANEL SWITCH WITH LEAD	1.000 EA
HA3100A41	THRUBOLT 10-32 X 10.500	4.000 EA
MN416A01	TAG-INSTAL-MAINT no wire (1200/bx) 11/14	1.000 EA
LB1118	LABEL,WARNING (ROLL LABEL)	1.000 EA
LC0546	CONNECTION LABEL	1.000 EA
NP1257L	ALUM UL CSA CC THERMAL REV MTG	1.000 EA
36PA1000	PKG GRP, PRINT PK1016A06	1.000 EA
PK3083T	STYROFOAM PACKING CRADLE W/TAPE	1.000 EA

AC Induction Motor Performance Data

Record # 54666 - Typical performance - not guaranteed values

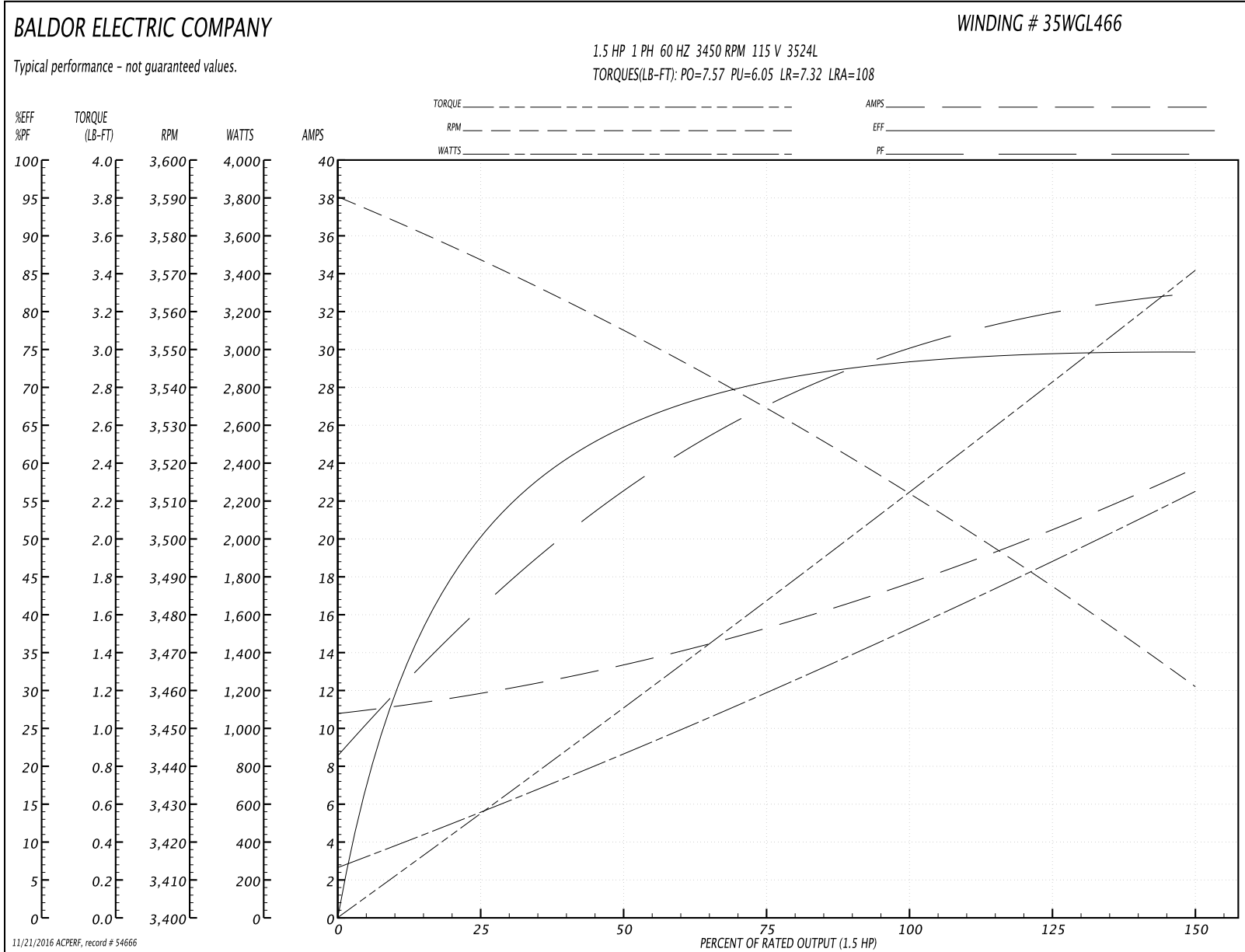
Winding: 35WGL466-R001	Type: 3524L	Enclosure: OPEN
-------------------------------	--------------------	------------------------

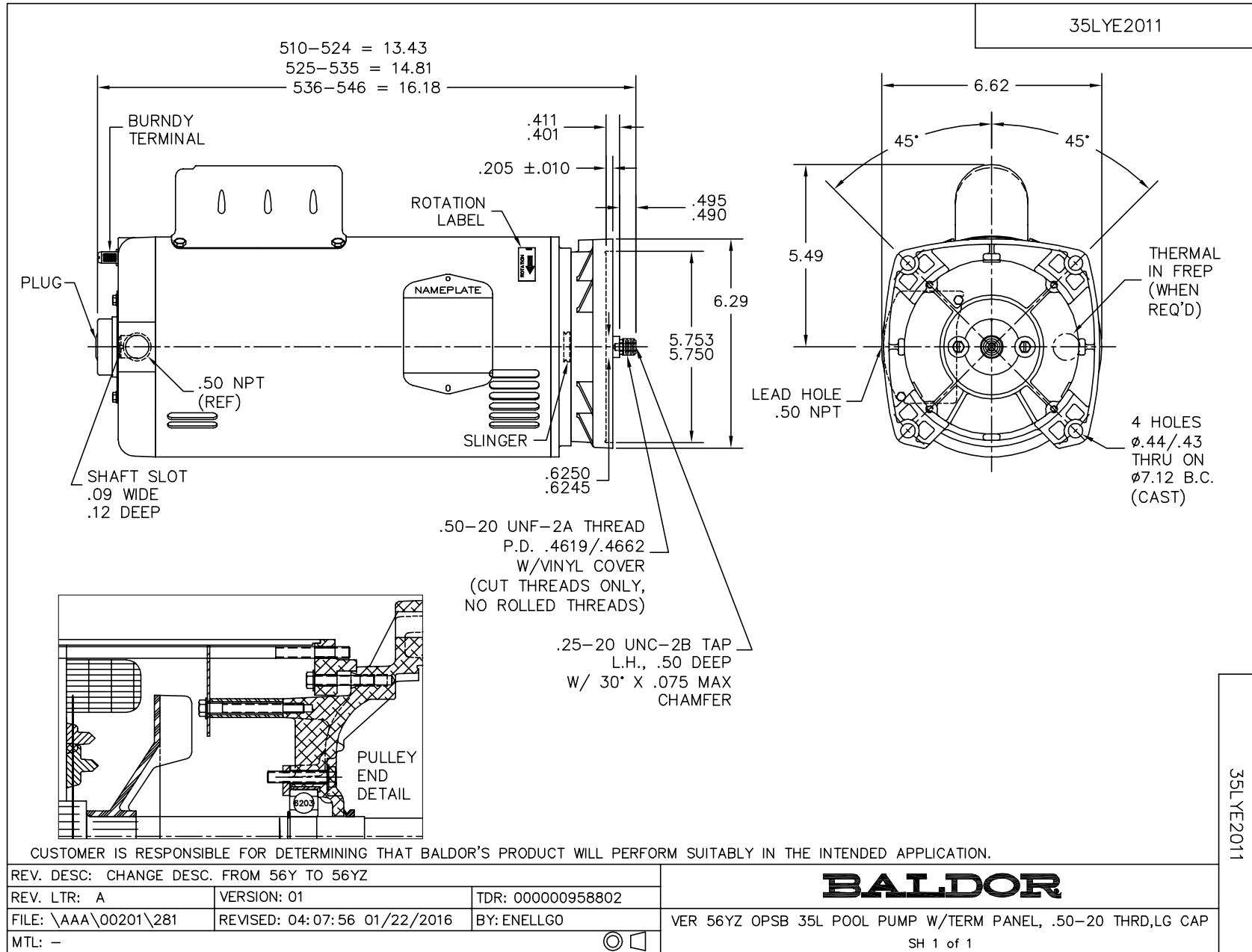
Nameplate Data				115 V, 60 Hz: Low Voltage Connection	
Rated Output (HP)	1.5			Full Load Torque	2.27 LB-FT
Volts	115/230			Start Configuration	direct on line
Full Load Amps	18/9			Breakdown Torque	7.57 LB-FT
R.P.M.	3450			Pull-up Torque	6.05 LB-FT
Hz	60	Phase	1	Locked-rotor Torque	7.32 LB-FT
NEMA Design Code	L	KVA Code	H	Starting Current	108 A
Service Factor (S.F.)	1.3			No-load Current	10.8 A
NEMA Nom. Eff.	72	Power Factor	75	Line-line Res. @ 25°C	0.313 Ω A Ph 0.963 Ω B Ph
Rating - Duty	40C AMB-CONT			Temp. Rise @ Rated Load	78°C
S.F. Amps	21/10.5			Temp. Rise @ S.F. Load	97°C
				Locked-rotor Power Factor	84.9
				Rotor inertia	0.0664 LB-FT ²

Load Characteristics 115 V, 60 Hz, 1.5 HP

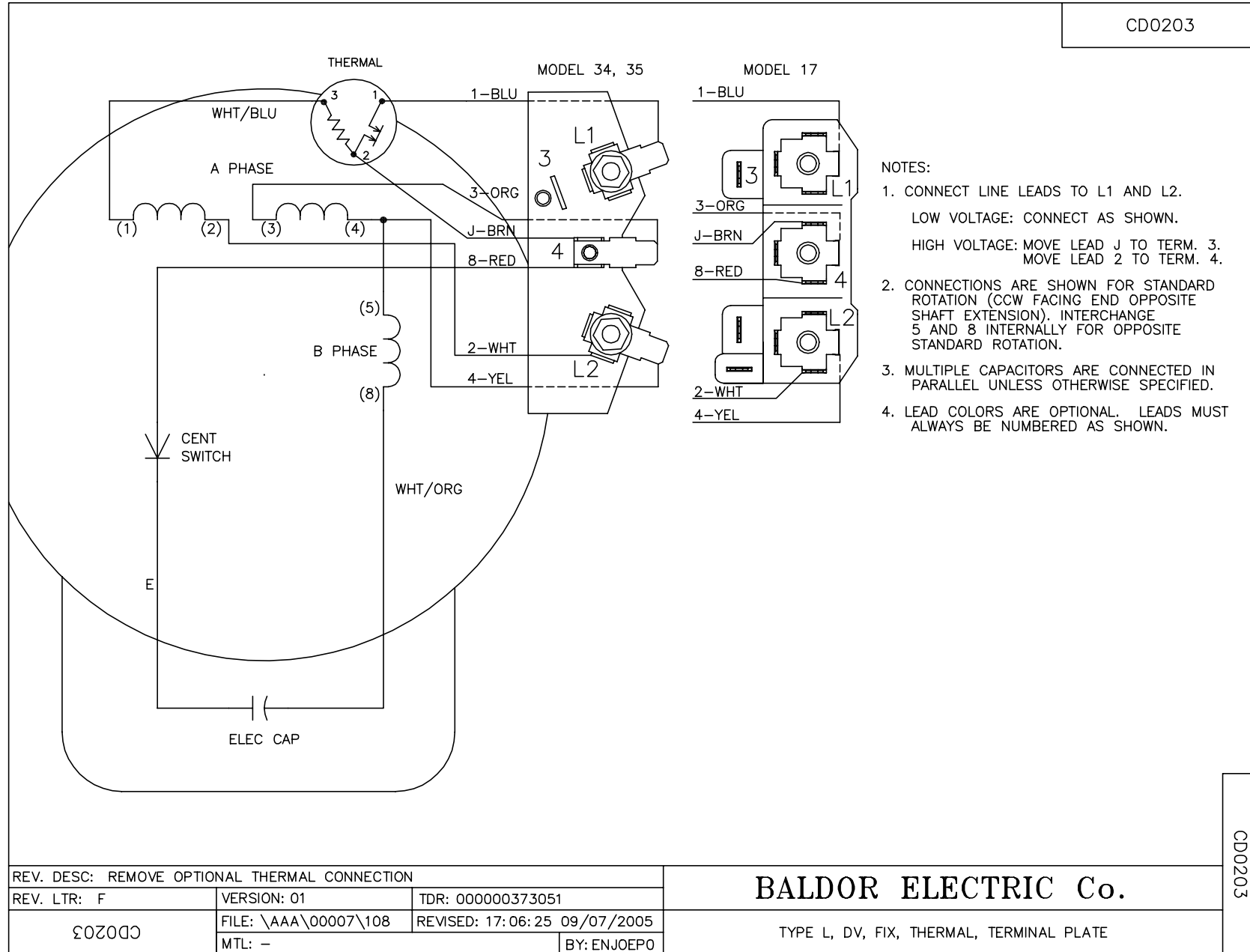
% of Rated Load	25	50	75	100	125	150	S.F.
Power Factor	41	57	67	75	80	83	81
Efficiency	49	64	70.8	74.1	74.4	74.6	74.4
Speed	3574	3554	3534	3513	3488	3460	3482
Line amperes	11.8	13.3	15.3	17.7	20.6	23.7	21.2

Performance Graph at 115V, 60Hz, 1.5HP Typical performance - Not guaranteed values





CD0203



CD0203

REV. DESC: REMOVE OPTIONAL THERMAL CONNECTION		
REV. LTR: F	VERSION: 01	TDR: 000000373051
CD0203	FILE: \AAA\00007\108	REVISED: 17:06:25 09/07/2005
	MTL: -	BY: ENJOEPO

BALDOR ELECTRIC Co.

TYPE L, DV, FIX, THERMAL, TERMINAL PLATE