

BALDOR® • ***RELIANCE***

Product Information Packet

KL1200

.17HP,1725RPM,1PH,60HZ,56C,3408L,OPEN,F1

Part Detail							
Revision:	X	Status:	PRD/A	Change #:		Proprietary:	No
Type:	AC	Prod. Type:	3408L	Elec. Spec:	34WGW020	CD Diagram:	CD0001
Enclosure:	OPEN	Mfg Plant:		Mech. Spec:	34F011	Layout:	34LYF011
Frame:	56C	Mounting:	F1	Poles:	04	Created Date:	
Base:	N	Rotation:	R	Insulation:	B	Eff. Date:	01-29-2014
Leads:	6#18					Replaced By:	
Literature:		Elec. Diagram:					

Nameplate NP1256L										
CAT.NO.	KL1200									
SPEC.	34F11W20									
HP	.17									
VOLTS	115/230									
AMP	3.8/1.9									
RPM	1725									
FRAME	56C				HZ	60			PH	1
SER.F.	1.35			CODE	M	DES	N		CLASS	B
NEMA-NOM-EFF	49			PF	57					
RATING	40C AMB-CONT									
CC									USABLE AT 208V	2.3
DE	6203				ODE	6203				
ENCL	OPEN			SN						
	SFA 4.4/2.2									

Parts List		
Part Number	Description	Quantity
SA009973	SA 34F11W20	1.000 EA
RA006418	RA 34F11W20	1.000 EA
NS2512A01	INSULATOR, CONDUIT BOX X	1.000 EA
34CB3002A	CB CAST W/.88 DIA HOLE	1.000 EA
51XB1016A07	10-16 X 7/16 HXWSSLD SERTYB	2.000 EA
11XW1032G06	10-32 X .38, TAPTITE II, HEX WSHR SLTD U	1.000 EA
51XW0832A07	8-32 X .44, TAPTITE II, HEX WSHR SLTD SE	2.000 EA
SP1006A01	TERM. BOARD, MODE 35 SW X H-23655	1.000 EA
34EP3210A03SP	FR ENDPLATE, MACH	1.000 EA
NS2500A01	INSULATOR, AUTO THER PROT	1.000 EA
34CB4800SP	CAPACITOR COVER, STAMPED PRIMED	1.000 EA
51XB1016A05	10-16X5/16HX WA SL SR TYB (F/S)	2.000 EA
HW5100A03SP	WAVY WASHER (W1543-017)	1.000 EA
34EP3401A01SP	PU ENDPLATE, MACH	1.000 EA
51XN1032A20	10-32 X 1 1/4 HX WS SL SR	2.000 EA
34AD2000	BAFFLE PLATE, STAMPED	1.000 EA
51XT0632A06	6-32X3/8 TY23 HXWS SLDSR	4.000 EA
34FH4000A11	DRIP COVER, STAMPED,PRIMER	1.000 EA
51XW1032A06	10-32 X .38, TAPTITE II, HEX WSHR SLTD S	3.000 EA
34CB4517	CB LID 4 MTG HOLES .22 DIA STAMPED, FOR	1.000 EA
51XW0832A07	8-32 X .44, TAPTITE II, HEX WSHR SLTD SE	4.000 EA
HW2501D13	KEY, 3/16 SQ X 1.375	1.000 EA
HA7000A04	KEY RETAINER 0.625 DIA SHAFTS	1.000 EA
MG1000G27	MED CHARCOAL METALLIC GREY 400-0096	0.014 GA

Parts List (continued)		
Part Number	Description	Quantity
10XF0440S02	04-40 X 1/8 TYPE F HEX HD STAINLESS STIC	2.000 EA
EC1130A02SP	ELEC CAP, 130-156 MFD, 125V, 1.48D X 3.3	1.000 EA
SP5056A24	34 TYPE L STATIONARY SWITCH W/ LEADS	1.000 EA
HA3100A12	THRUBOLT 10-32 X 7.375	4.000 EA
LC0001A01	CONN LABEL / WARNING LABEL (LC0001 / LB1	1.000 EA
NP1256L	ALUM UL CSA CC	1.000 EA
34PA1002	PKG GRP, PRINT PK1001A01	1.000 EA
PK3083T	STYROFOAM PACKING CRADLE W/TAPE	1.000 EA

AC Induction Motor Performance Data
Record # 6851 - Typical performance - not guaranteed values

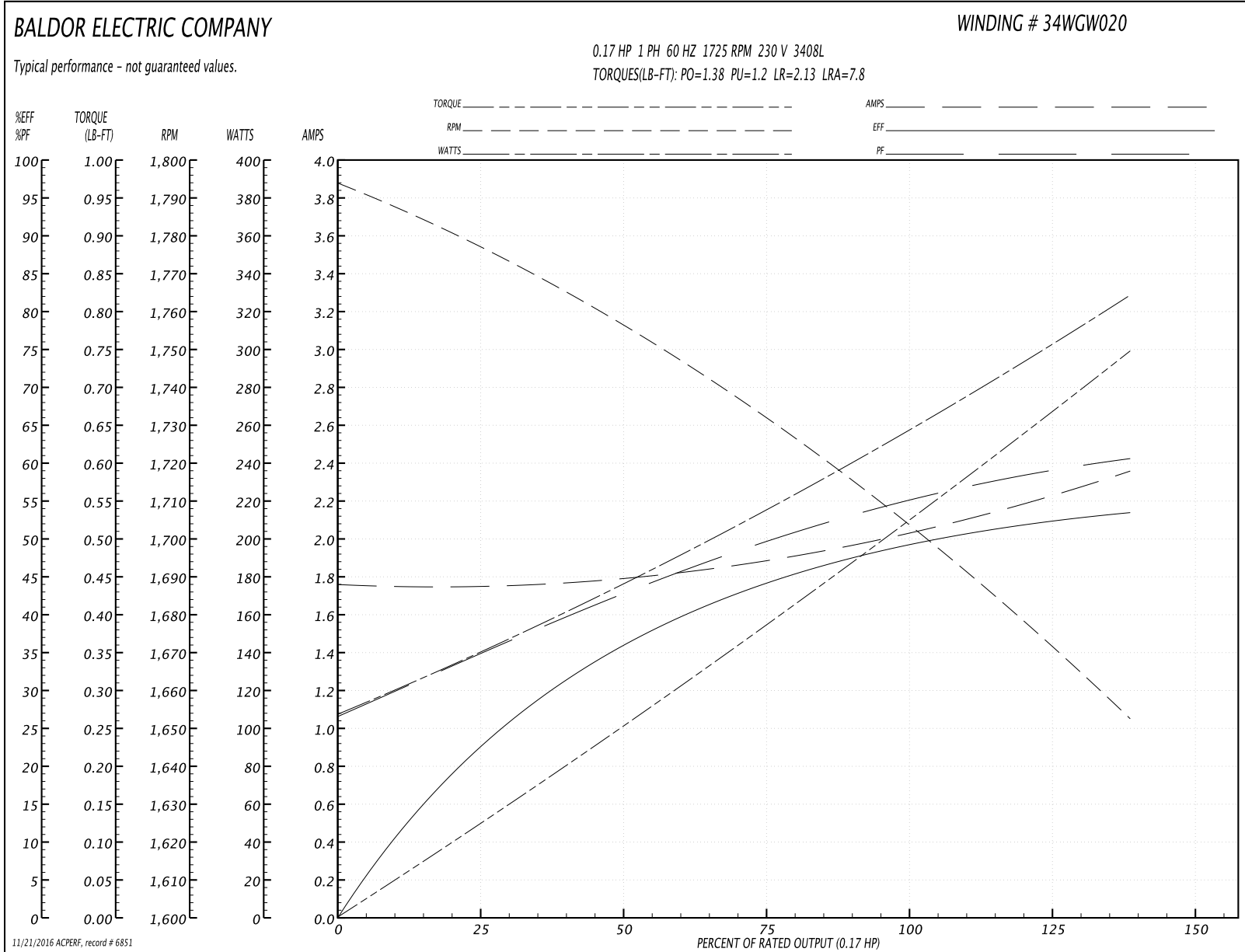
Winding: 34WGW020-R001	Type: 3408L	Enclosure: TEFC
-------------------------------	--------------------	------------------------

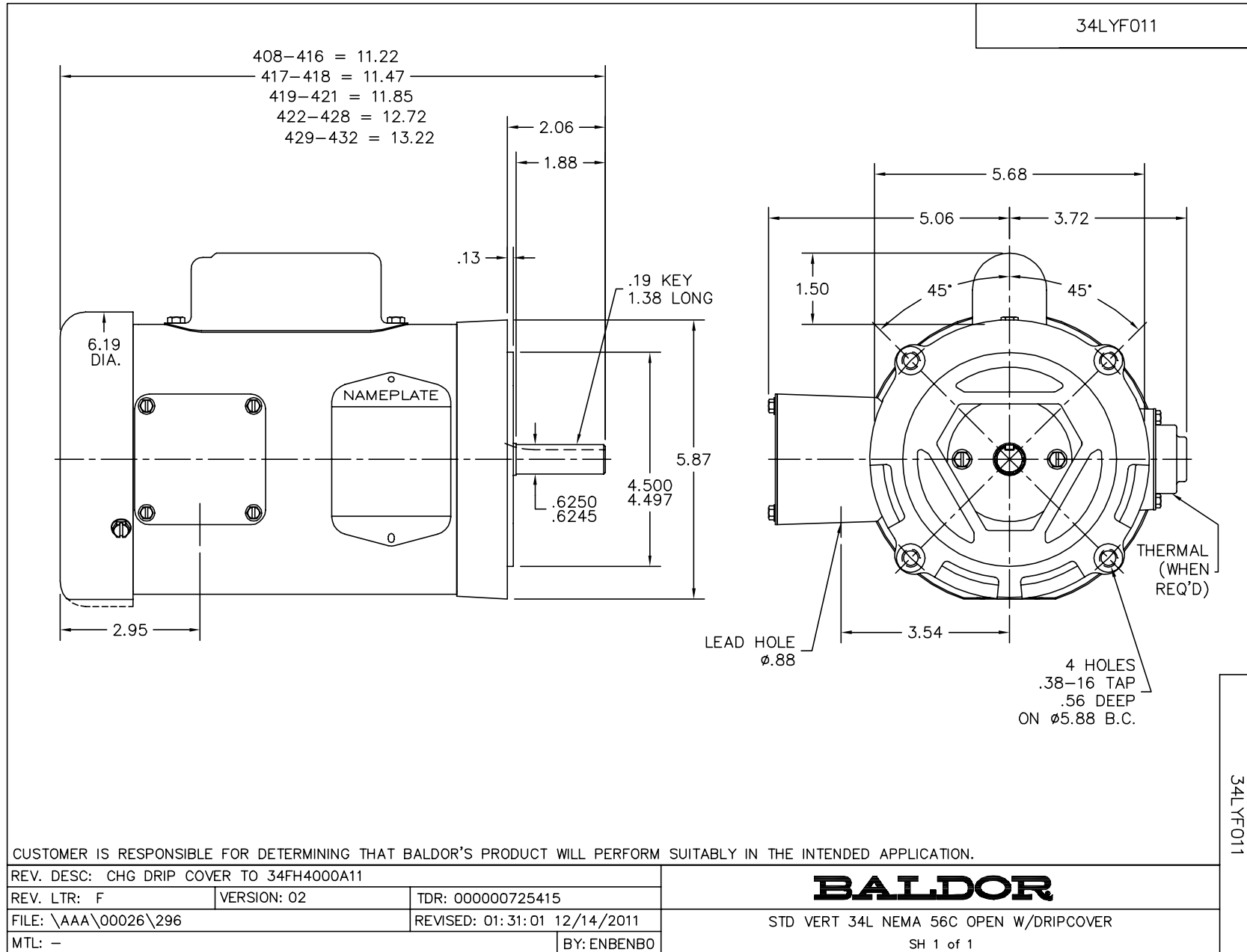
Nameplate Data				230 V, 60 Hz: High Voltage Connection	
Rated Output (HP)	.17			Full Load Torque	0.5 LB-FT
Volts	115/230			Start Configuration	direct on line
Full Load Amps	3.8/1.9			Breakdown Torque	1.38 LB-FT
R.P.M.	1725			Pull-up Torque	1.2 LB-FT
Hz	60	Phase	1	Locked-rotor Torque	2.13 LB-FT
NEMA Design Code	N	KVA Code	M	Starting Current	7.8 A
Service Factor (S.F.)	1.35			No-load Current	1.75 A
NEMA Nom. Eff.	49	Power Factor	57	Line-line Res. @ 25°C	13.7 Ω A Ph 10.8 Ω B Ph
Rating - Duty	40C AMB-CONT			Temp. Rise @ Rated Load	50°C
S.F. Amps	4.4/2.2			Temp. Rise @ S.F. Load	61°C

Load Characteristics 230 V, 60 Hz, 0.17 HP

% of Rated Load	25	50	75	100	125	150	S.F.
Power Factor	32	41	49	57	63	69	67
Efficiency	21	35	45	49	52	53	53
Speed	1775	1760	1730	1710	1685	1650	1665
Line amperes	1.75	1.8	1.9	2	2.1	2.4	2.2

Performance Graph at 230V, 60Hz, 0.17HP Typical performance - Not guaranteed values





CD0001



	LINE A	LINE B	JOIN
HIGH STD	1	4,5	2,3,8
HIGH OPP	1	4,8	2,3,5
LOW STD	1,3,8	2,4,5	-
LOW OPP	1,3,5	2,4,8	-

NOTES:

1. STANDARD ROTATION IS CCW FACING END OPPOSITE SHAFT EXTENSION.
2. OPTIONAL THERMOSTAT IS PROVIDED WHEN SPECIFIED.
3. MULTIPLE CAPACITORS ARE CONNECTED IN PARALLEL UNLESS OTHERWISE SPECIFIED.
4. LEAD COLORS ARE OPTIONAL. LEADS MUST ALWAYS BE NUMBERED AS SHOWN.

REV. DESC: REVISE TO SHOW OPTIONAL COLORS			
REV. LTR: D	BY: JLP	REVISED: 04/08/99 1:16	TDR: 0178636
100000		FILE: AAA00007405	MDL: -
		MTL: -	

BALDOR ELECTRIC Co.

TYPE L, DV, REV, 6 LEADS

CD0001