

BALDOR® • **RELIANCE**

Product Information Packet

L1304M

.5HP, 1725RPM, 1PH, 60HZ, 56, 3418L, OPEN, F1

Part Detail							
Revision:	AB	Status:	PRD/A	Change #:		Proprietary:	No
Type:	AC	Prod. Type:	3418L	Elec. Spec:	34WG5596	CD Diagram:	CD0269
Enclosure:	OPEN	Mfg Plant:		Mech. Spec:	34F005	Layout:	34LYF005
Frame:	56	Mounting:	F1	Poles:	04	Created Date:	
Base:	RG	Rotation:	R	Insulation:	B	Eff. Date:	07-20-2015
Leads:	6#18,1#16 #4TH					Replaced By:	
Literature:		Elec. Diagram:					

Nameplate NP1257L	
CAT.NO.	L1304M
SPEC.	34F05-5596
HP	.5
VOLTS	115/230
AMP	8.4/4.2
RPM	1725
FRAME	56
SER.F.	1.25
NEMA-NOM-EFF	62
RATING	40C AMB-CONT
CC	
DE	6203
ENCL	OPEN
	SFA 9.2/4.6
	CODE K
	DES N
	CL B
	PF 62
	HZ 60
	PH 1
	USABLE AT 208V 4.8
	ODE 6203
	SN

Parts List		
Part Number	Description	Quantity
SA007640	SA 34F05-5596	1.000 EA
RA004027	RA 34F05-5596	1.000 EA
EC1270A02SP	ELEC CAP, 270-324 MFD, 125V, 1.48D X 3.	1.000 EA
NS2512A01	INSULATOR, CONDUIT BOX X	1.000 EA
34CB3002A	CB CAST W/.88 DIA HOLE	1.000 EA
51XB1016A07	10-16 X 7/16 HXWSSLD SERTYB	2.000 EA
11XW1032G06	10-32 X .38, TAPTITE II, HEX WSHR SLTD U	1.000 EA
51XW0832A07	8-32 X .44, TAPTITE II, HEX WSHR SLTD SE	2.000 EA
SP1006A01	TERM. BOARD, MODE 35 SW X H-23655	1.000 EA
34EP3210A01SP	FR ENDPLATE, MACH	1.000 EA
NS2500A01	INSULATOR, AUTO THER PROT	1.000 EA
34CB4800SP	CAPACITOR COVER, STAMPED PRIMED	1.000 EA
51XB1016A05	10-16X5/16HX WA SL SR TYB (F/S)	2.000 EA
HW5100A03SP	WAVY WASHER (W1543-017)	1.000 EA
34EP3212A24	PU ENDPLATE, MODEL 34 OPEN	1.000 EA
XY1032A02	10-32 HEX NUT DIRECTIONAL SERRATION	4.000 EA
34CB4517	CB LID 4 MTG HOLES .22 DIA STAMPED, FOR	1.000 EA
51XW0832A07	8-32 X .44, TAPTITE II, HEX WSHR SLTD SE	4.000 EA
HW2501D13	KEY, 3/16 SQ X 1.375	1.000 EA
HA7000A04	KEY RETAINER 0.625 DIA SHAFTS	1.000 EA
MG1000G27	MED CHARCOAL METALLIC GREY 400-0096	0.014 GA
10XF0440S02	04-40 X 1/8 TYPE F HEX HD STAINLESS STIC	2.000 EA
SP5051B16	MDL 34 TORQ STAT SW,TYPE L , STD F1 & F2	1.000 EA
HA3100A47	THRUBOLT 10-32 X 7.625	4.000 EA

Parts List (continued)		
Part Number	Description	Quantity
LB1119N	WARNING LABEL	1.000 EA
LB1087	LABEL,MANUAL RESET (ROLL LABEL)	1.000 EA
LC0269	1PH,DV,REV,THERMAL,7 LD,L.AMP THRU HTR H	1.000 EA
NP1257L	ALUM UL CSA CC THERMAL REV MTG	1.000 EA
34PA1002	PKG GRP, PRINT PK1001A01	1.000 EA

AC Induction Motor Performance Data
Record # 6783 - Typical performance - not guaranteed values

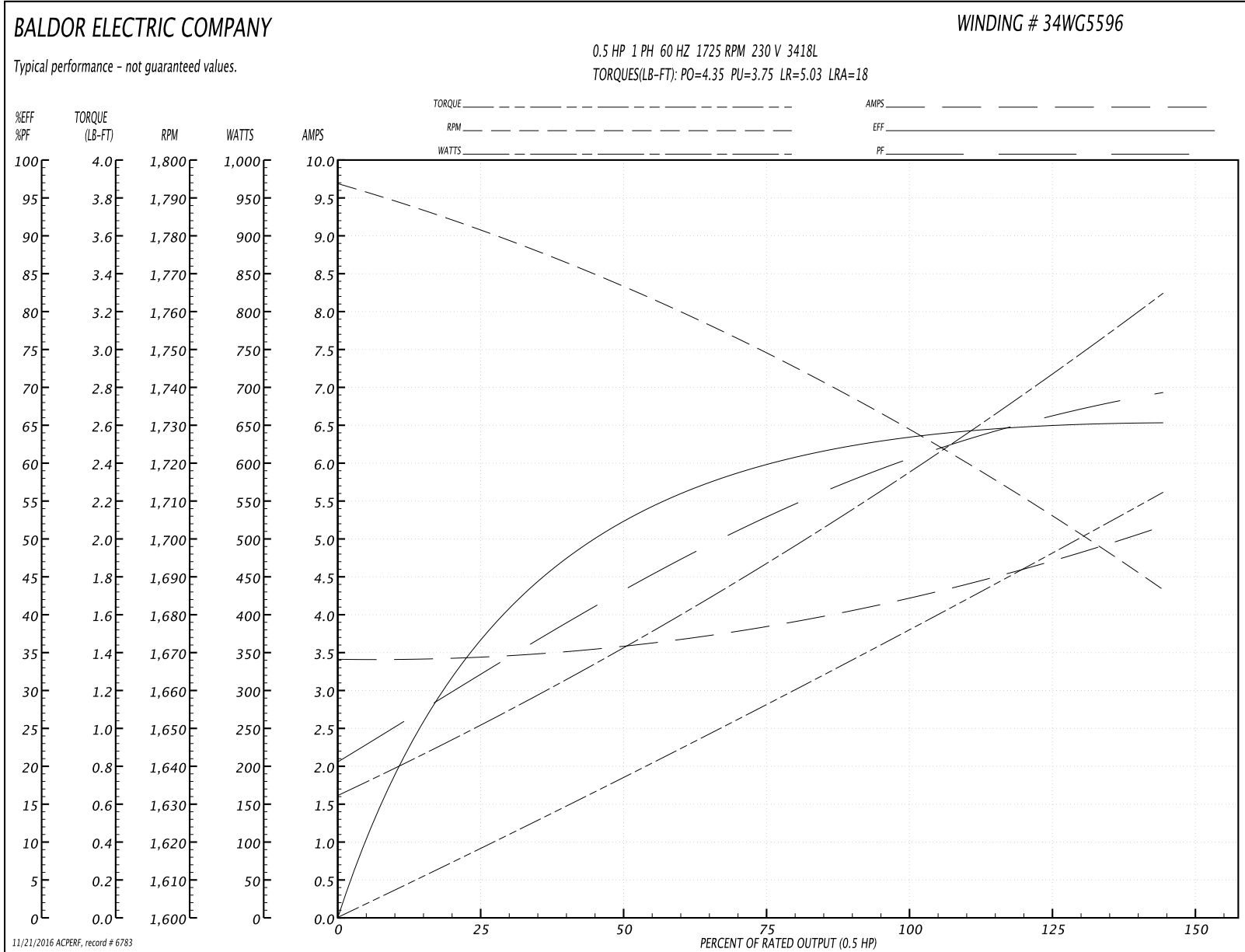
Winding: 34WG5596-R001	Type: 3418L	Enclosure: OPEN
-------------------------------	--------------------	------------------------

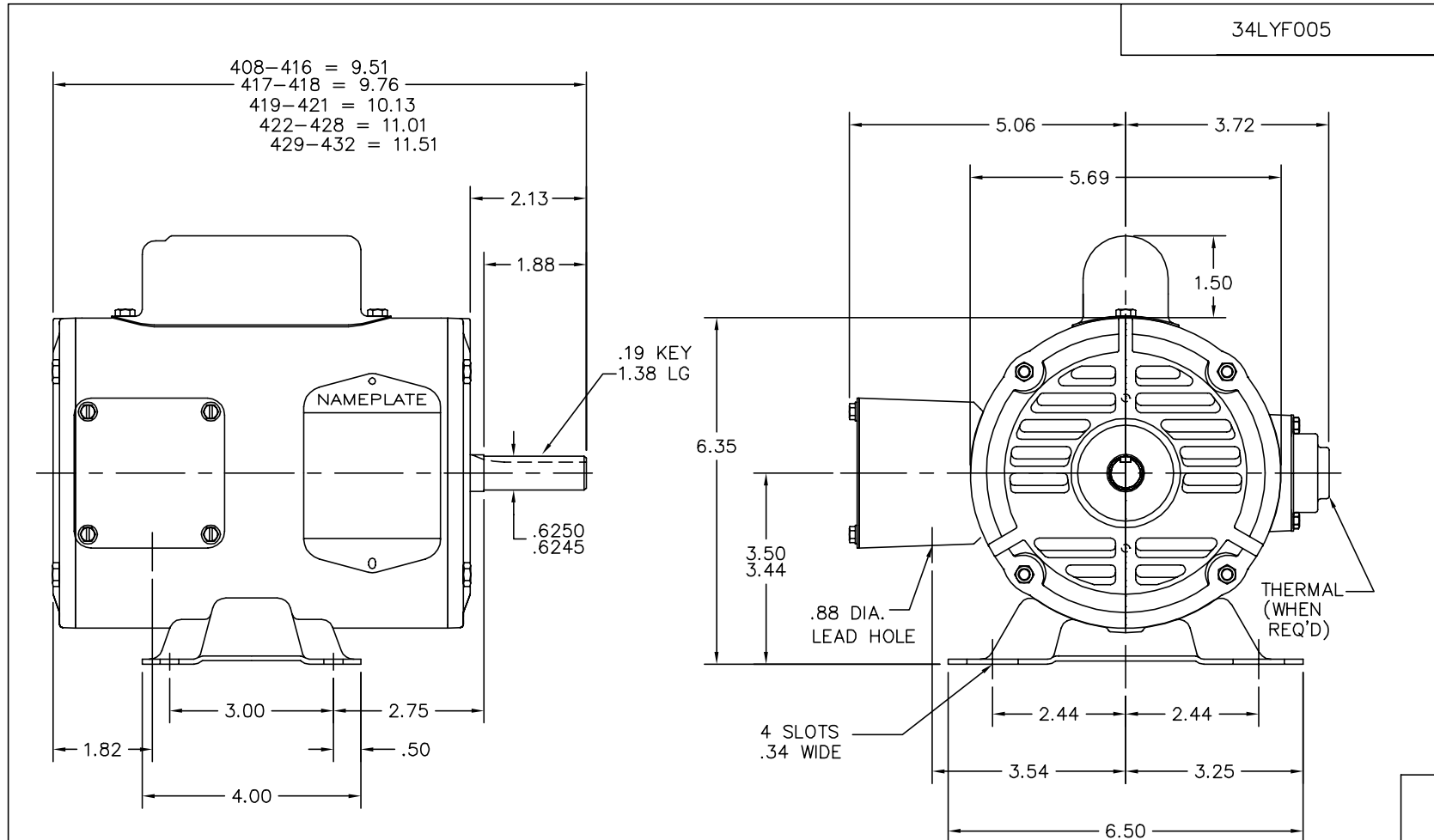
Nameplate Data				230 V, 60 Hz: High Voltage Connection	
Rated Output (HP)	.5			Full Load Torque	1.5 LB-FT
Volts	115/230			Start Configuration	direct on line
Full Load Amps	8.4/4.2			Breakdown Torque	4.35 LB-FT
R.P.M.	1725			Pull-up Torque	3.75 LB-FT
Hz	60	Phase	1	Locked-rotor Torque	5.03 LB-FT
NEMA Design Code	N	KVA Code	K	Starting Current	18 A
Service Factor (S.F.)	1.25			No-load Current	3.4 A
NEMA Nom. Eff.	62	Power Factor	62	Line-line Res. @ 25°C	4.24 Ω A Ph 3.24 Ω B Ph
Rating - Duty	40C AMB-CONT			Temp. Rise @ Rated Load	59°C
S.F. Amps	9.2/4.6			Temp. Rise @ S.F. Load	68°C

Load Characteristics 230 V, 60 Hz, 0.5 HP

% of Rated Load	25	50	75	100	125	150	S.F.
Power Factor	30	42	53	62	69	77	69
Efficiency	36	52	60	64	65	65	65
Speed	1780	1765	1750	1730	1711	1685	1711
Line amperes	3.45	3.6	3.85	4.2	4.6	5.2	4.6

Performance Graph at 230V, 60Hz, 0.5HP Typical performance - Not guaranteed values





CUSTOMER IS RESPONSIBLE FOR DETERMINING THAT BALDOR'S PRODUCT WILL PERFORM SUITABLY IN THE INTENDED APPLICATION.

REV. DESC: NEW PUEP MACHINING TO GIVE INFN MORE ROOM		
REV. LTR: G	VERSION: 03	TDR: 000000570375
FILE: \AAA\00026\294		REVISED: 04: 45: 14 12/06/2010
MTL: -		BY: ENJERWO

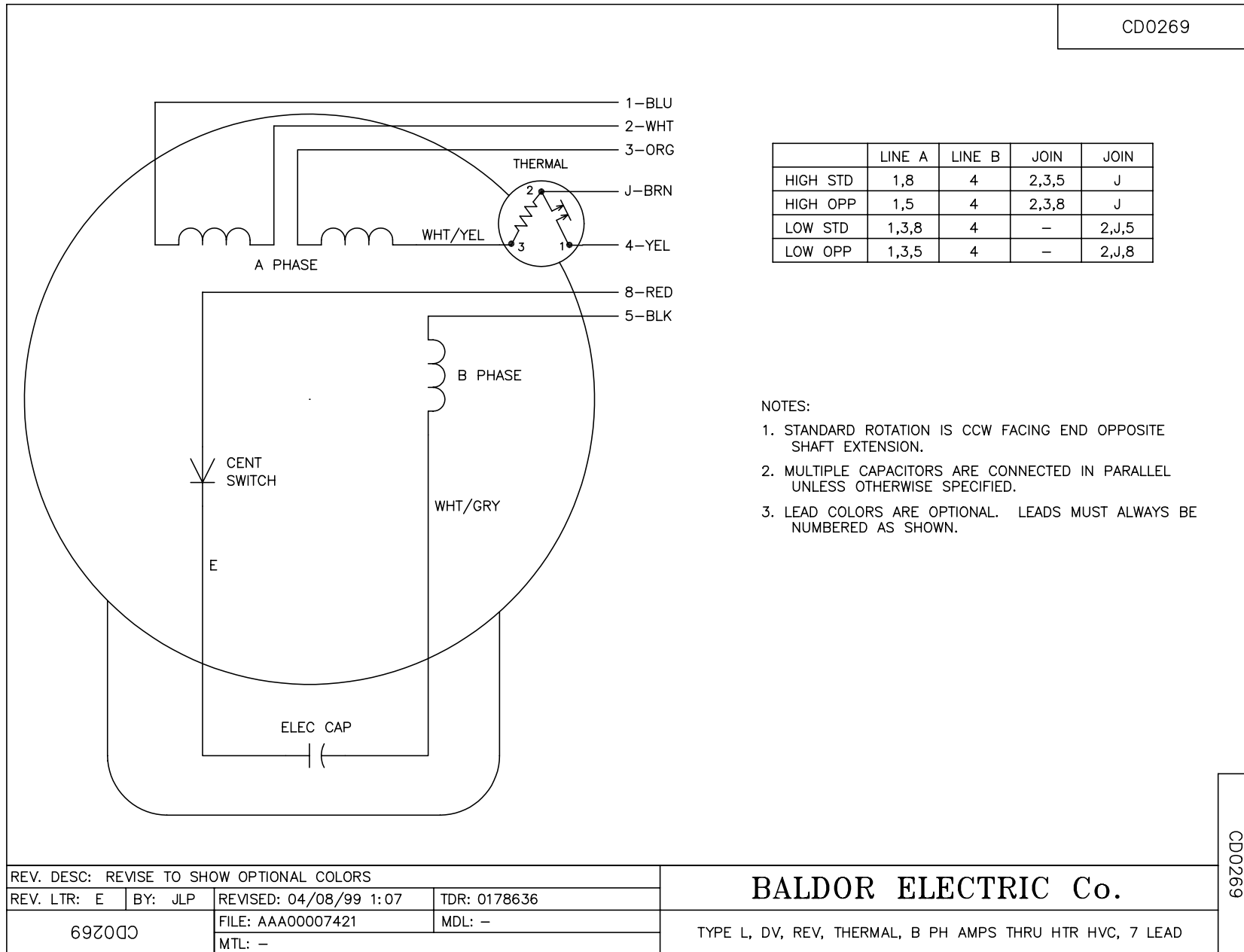
BALDOR

STD HORZ MODEL 34L NEMA 56 OPEN

SH 1 of 1

34LYF005

CD0269



NOTES:

1. STANDARD ROTATION IS CCW FACING END OPPOSITE SHAFT EXTENSION.
2. MULTIPLE CAPACITORS ARE CONNECTED IN PARALLEL UNLESS OTHERWISE SPECIFIED.
3. LEAD COLORS ARE OPTIONAL. LEADS MUST ALWAYS BE NUMBERED AS SHOWN.

REV. DESC: REVISE TO SHOW OPTIONAL COLORS			
REV. LTR: E	BY: JLP	REVISED: 04/08/99 1:07	TDR: 0178636
692000		FILE: AAA00007421	MDL: -
		MTL: -	

BALDOR ELECTRIC Co.

TYPE L, DV, REV, THERMAL, B PH AMPS THRU HTR HVC, 7 LEAD

CD0269