

BALDOR® • ***RELIANCE***

Product Information Packet

L3513M

1.5HP,3450RPM,1PH,60HZ,56/56H,3528L,TEFC

Part Detail							
Revision:	AS	Status:	PRD/A	Change #:		Proprietary:	No
Type:	AC	Prod. Type:	3528L	Elec. Spec:	35WG0600	CD Diagram:	CD0008
Enclosure:	TEFC	Mfg Plant:		Mech. Spec:	35J383	Layout:	35LYJ383
Frame:	56/56H	Mounting:	F1	Poles:	02	Created Date:	06-22-2007
Base:	RG	Rotation:	R	Insulation:	B	Eff. Date:	06-29-2016
Leads:	4#16 A&J,2#18 B PH,1#14 #4TH					Replaced By:	
Literature:		Elec. Diagram:					

Nameplate NP1257L	
CAT.NO.	L3513M
SPEC.	35J383-600
HP	1.5
VOLTS	115/230
AMP	15/7.5
RPM	3450
FRAME	56/56H
	HZ 60
	PH 1
SER.F.	1.00
	CODE H
	DES L
	CL B
NEMA-NOM-EFF	70
	PF 82
RATING	40C AMB-CONT
CC	USABLE AT 208V
DE	6205
	ODE 6203
ENCL	TEFC
	SN

Parts List		
Part Number	Description	Quantity
SA025934	SA 35J383-600	1.000 EA
RA021984	RA 35J383-600	1.000 EA
EC1645A06SP	ELEC CAP, 645-774 MFD, 125V, 2.06D X 4.	1.000 EA
NS2512A01	INSULATOR, CONDUIT BOX X	1.000 EA
35CB3007	35 CB CASTING W/.88 DIA. LEAD HOLE	1.000 EA
36GS1000	GASKET-CONDUIT BOX, .06 THICK #SV-330 LE	1.000 EA
51XB1016A07	10-16 X 7/16 HXWSSLD SERTYB	2.000 EA
11XW1032G06	10-32 X .38, TAPTITE II, HEX WSHR SLTD U	1.000 EA
51XW0832A07	8-32 X .44, TAPTITE II, HEX WSHR SLTD SE	2.000 EA
35EP3100M02	FREP TEFC 203 BRG W/O GR SR (RAISED FH MT	1.000 EA
NS2501A01	INSULATOR, CAPACITOR	1.000 EA
35CB4802A02SP	CAPACITOR COVER, STAMPED X	1.000 EA
35GS3001A02	GASKET, CA COVER, 5.38 LONG .06 CS301	1.000 EA
51XB1016A05	10-16X5/16HX WA SL SR TYB (F/S)	2.000 EA
HW5100A03SP	WAVY WASHER (W1543-017)	1.000 EA
35EP3101A02SP	STD PU ENDPLATE-ENCL-205 BRG LESS GREASE	1.000 EA
XY1032A02	10-32 HEX NUT DIRECTIONAL SERRATION	4.000 EA
51XB1214A16	12-14X1.00 HXWSSLD SERTYB	1.000 EA
35FH4005A32SP	IEC FH NO GR SR W/3 HOLES - PRIMED	1.000 EA
51XW1032A06	10-32 X .38, TAPTITE II, HEX WSHR SLTD S	3.000 EA
35CB4521	35 LIPPED CB LID (GALV & PHOSPH)	1.000 EA
35GS1030	35 GS FOR CB LID - LEXIDE	1.000 EA
51XW0832A07	8-32 X .44, TAPTITE II, HEX WSHR SLTD SE	4.000 EA
HW2501D13	KEY, 3/16 SQ X 1.375	1.000 EA

Parts List (continued)		
Part Number	Description	Quantity
HA7000A04	KEY RETAINER 0.625 DIA SHAFTS	1.000 EA
85XU0407S04	4X1/4 U DRIVE PIN STAINLESS	2.000 EA
WD1000A15	3-520132-2 AMP FLAG (4M/RL NON-CANC/NON-	2.000 EA
MJ1000A02	GREASE, POLYREX EM EXXON (USe 4824-15A)	0.050 LB
34FN3002A01SP	EXTERNAL FAN, PLASTIC, .637/.639 HUB W/	1.000 EA
MG1000G27	MED CHARCOAL METALLIC GREY 400-0096	0.017 GA
HA3100A18	THRUBOLT 10-32 X 9.250	4.000 EA
SP5055A67	MODEL 35 TYPE L STATIONARY SWITCH	1.000 EA
LB1087	LABEL,MANUAL RESET (ROLL LABEL)	1.000 EA
LB1119N	WARNING LABEL	1.000 EA
LC0008	CONNECTION LABEL	1.000 EA
NP1257L	ALUM UL CSA CC THERMAL REV MTG	1.000 EA
35PA1066	PKG GRP, PRINT PK1008A06	1.000 EA

Accessories		
Part Number	Description	Multiplier
35-8762	C FACE KIT	A8
35EP1506A01SP	D-FLANGE KIT	A8

AC Induction Motor Performance Data
Record # 8094 - Typical performance - not guaranteed values

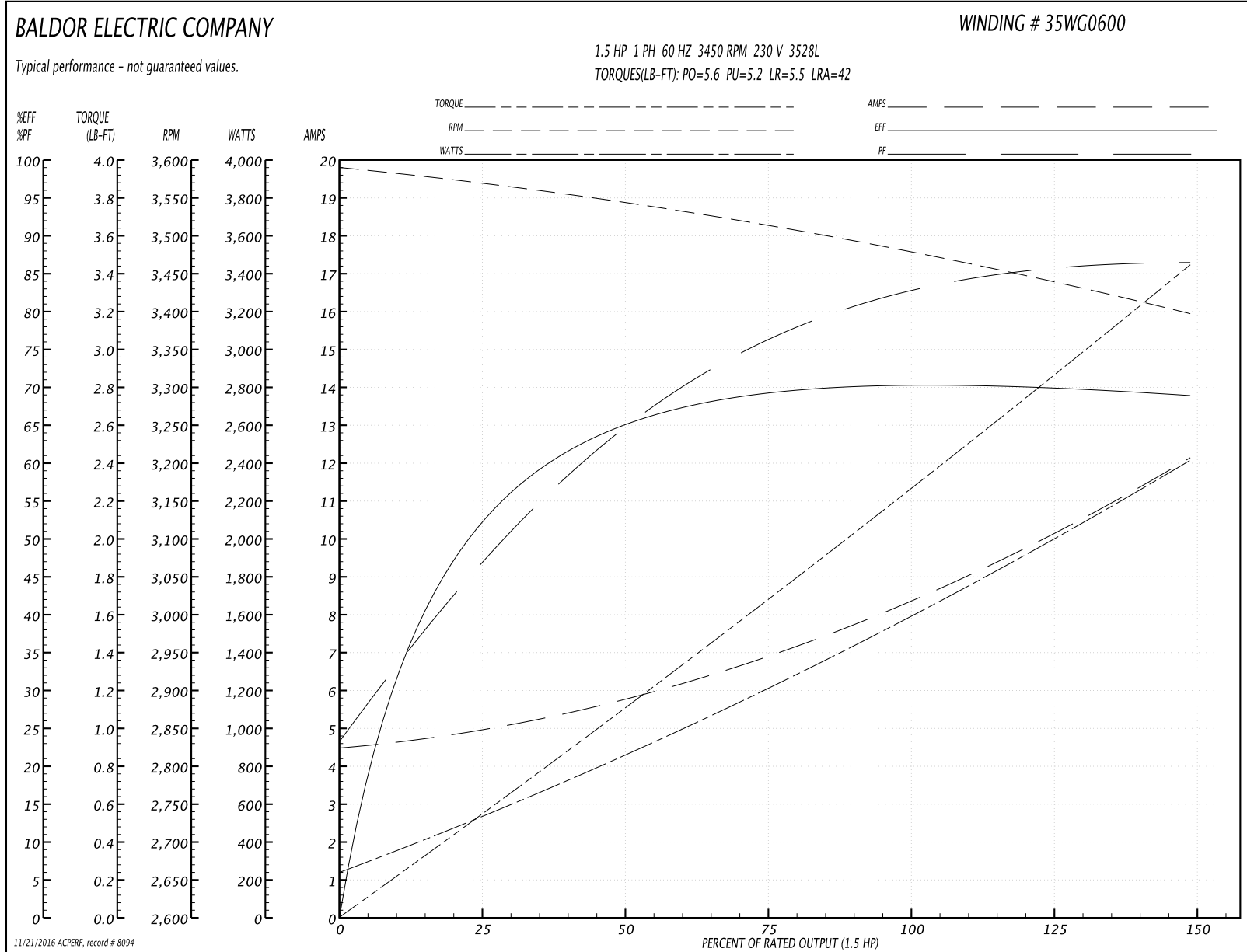
Winding: 35WG0600-R001	Type: 3528L	Enclosure: TEFC
-------------------------------	--------------------	------------------------

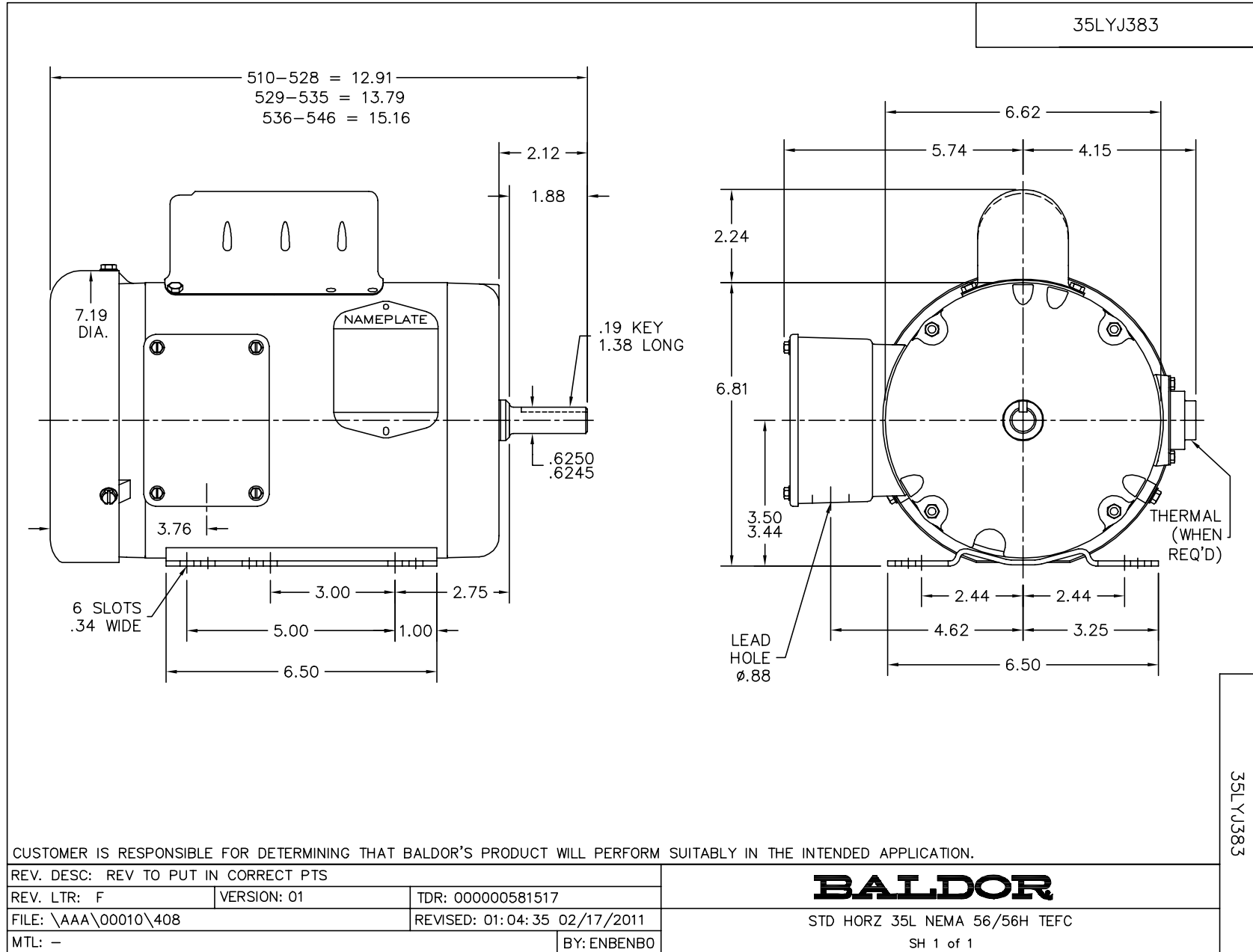
Nameplate Data				230 V, 60 Hz: High Voltage Connection	
Rated Output (HP)	1.5			Full Load Torque	2.3 LB-FT
Volts	115/230			Start Configuration	direct on line
Full Load Amps	15/7.5			Breakdown Torque	5.6 LB-FT
R.P.M.	3450			Pull-up Torque	5.2 LB-FT
Hz	60	Phase	1	Locked-rotor Torque	5.5 LB-FT
NEMA Design Code	L	KVA Code	H	Starting Current	42 A
Service Factor (S.F.)	1			No-load Current	4.5 A
NEMA Nom. Eff.	70	Power Factor	82	Line-line Res. @ 25°C	1.26 Ω A Ph 1.23 Ω B Ph
Rating - Duty	40C AMB-CONT			Temp. Rise @ Rated Load	70°C

Load Characteristics 230 V, 60 Hz, 1.5 HP

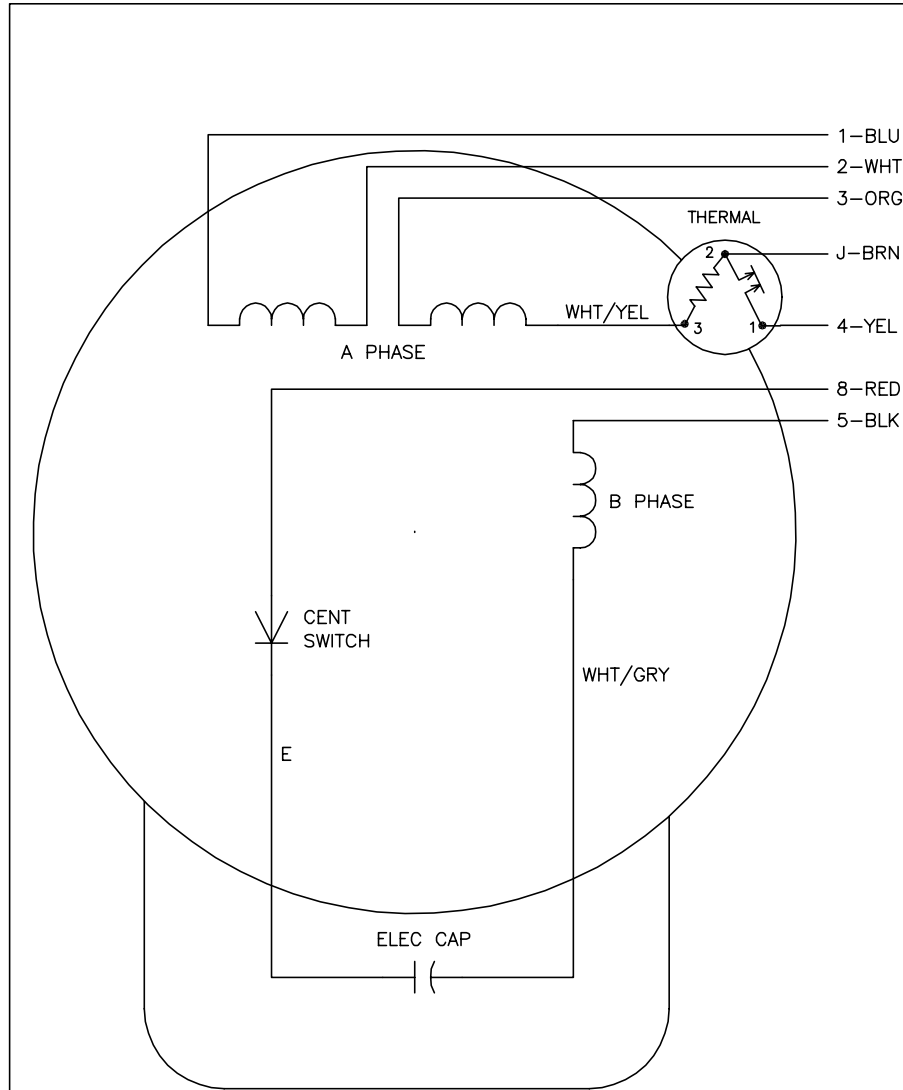
% of Rated Load	25	50	75	100	125	150
Power Factor	47	64	73	80	84	86
Efficiency	51.9	65.3	68.4	71.2	70.6	68.4
Speed	3567	3541	3514	3475	3439	3397
Line amperes	5	5.8	6.9	8.6	10.2	12.1

Performance Graph at 230V, 60Hz, 1.5HP Typical performance - Not guaranteed values





CD0008



	LINE A	LINE B	JOIN	JOIN
HIGH STD	1	4	2,3,8	J,5
HIGH OPP	1	4	2,3,5	J,8
LOW STD	1,3,8	4	-	2,J,5
LOW OPP	1,3,5	4	-	2,J,8

NOTES:

1. STANDARD ROTATION IS CCW FACING END OPPOSITE SHAFT EXTENSION.
2. MULTIPLE CAPACITORS ARE CONNECTED IN PARALLEL UNLESS OTHERWISE SPECIFIED.
3. LEAD COLORS ARE OPTIONAL. LEADS MUST ALWAYS BE NUMBERED AS SHOWN.

REV. DESC: REMOVE 2-TERMINAL THERMAL DETAIL, SEE CD0008A02		
REV. LTR: F	VERSION: 01	TDR: 000000360649
80000D	FILE: \AAA\00007\408	REVISED: 10:56:54 04/18/2005
	MTL: -	BY: ENJOEPO

BALDOR ELECTRIC Co.

TYPE L, DV, REV, THERMAL, 7 LEADS

CD0008