

BALDOR® • *RELIANCE*

Product Information Packet

M1008T

5/1.3HP,1725/850RPM,3PH,60HZ,184T,3634M

Part Detail							
Revision:	T	Status:	PRD/A	Change #:		Proprietary:	No
Type:	AC	Prod. Type:	3634M	Elec. Spec:	36WGW605	CD Diagram:	CD0032
Enclosure:	OPEN	Mfg Plant:		Mech. Spec:	36B001	Layout:	36LYB001
Frame:	184T	Mounting:	F1	Poles:	04/08	Created Date:	
Base:	RG	Rotation:	R	Insulation:	F	Eff. Date:	04-02-2015
Leads:	6#14					Replaced By:	
Literature:		Elec. Diagram:					

Nameplate NP1256L										
CAT.NO.	M1008T									
SPEC.	36B01W605									
HP	5/1.3									
VOLTS	230									
AMP	13.2/5									
RPM	1725/850									
FRAME	184T				HZ	60			PH	3
SER.F.	1.15		CODE	J	DES	B		CLASS	F	
NEMA-NOM-EFF			PF							
RATING	40C AMB-CONT									
CC									USABLE AT 208V	
DE	6206				ODE	6205				
ENCL	OPEN		SN							

Parts List		
Part Number	Description	Quantity
SA034218	SA 36B01W605	1.000 EA
RA030246	RA 36B01W605	1.000 EA
36CB3004	36 CB CASTING W/1.09 DIA LEAD HOLE @ 6:0	1.000 EA
51XB1016A08	10-16X 1/2HXWSSLD SERTYB	2.000 EA
11XW1032G06	10-32 X .38, TAPTITE II, HEX WSHR SLTD U	1.000 EA
HW3001B01	BRASS CUP WASHER, FOR #8 SCREW	1.000 EA
36EP3200A01	FR ENDPLATE, ASSEMBLY FOR ROUTING	1.000 EA
HW4500A01	1641B(ALEMITE)400 UNIV, GREASE FITT	1.000 EA
HW5100A05	WVY WSHR F/205 & 304 BRGS	1.000 EA
36PE3201A01	PU ENDPLATE, ASSEMBLY FOR ROUTING	1.000 EA
HW4500A01	1641B(ALEMITE)400 UNIV, GREASE FITT	1.000 EA
XY2520A12	1/4-20 HEX NUT, DIRECTIONAL SERRATIONS	4.000 EA
36CB4516	36 LIPPED CB LID	1.000 EA
51XW0832A07	8-32 X .44, TAPTITE II, HEX WSHR SLTD SE	4.000 EA
HW2501E16	3KEY, 1/4 SQ X 1.750	1.000 EA
HA7000A02	KEY RETAINER RING, 1 1/8 DIA, 1 3/8 DIA	1.000 EA
85XU0407S04	4X1/4 U DRIVE PIN STAINLESS	2.000 EA
MJ1000A02	GREASE, POLYREX EM EXXON (USe 4824-15A)	0.050 LB
MG1000G27	MED CHARCOAL METALLIC GREY 400-0096	0.022 GA
HA3101A25	THRUBOLT 1/4-20 X 11.000 OHIO ROD	4.000 EA
LB1119N	WARNING LABEL	1.000 EA
LC0032	CONNECTION LABEL	1.000 EA
NP1256L	ALUM UL CSA CC	1.000 EA
36PA1000	PKG GRP, PRINT PK1016A06	1.000 EA

Parts List (continued)		
Part Number	Description	Quantity
MN416A01	TAG-INSTAL-MAINT no wire (1200/bx) 11/14	1.000 EA

Accessories		
Part Number	Description	Multiplier
36-3403	C FACE KIT	A8
36EP1405A09SP	D-FLANGE KIT	A8

AC Induction Motor Performance Data

Record # 10804 - Typical performance - not guaranteed values

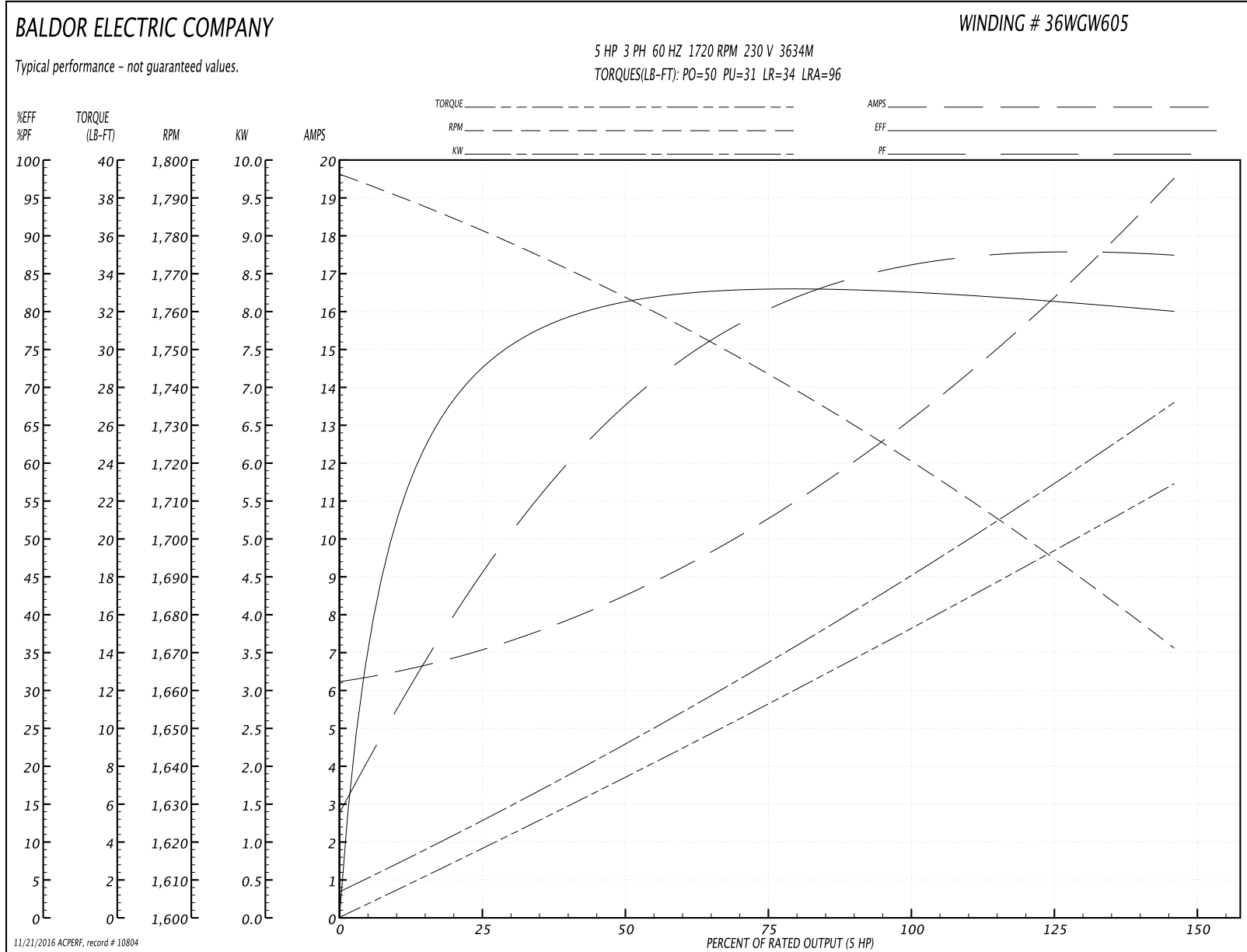
Winding: 36WGW605-R001	Type: 3634M	Enclosure: OPEN
-------------------------------	--------------------	------------------------

Nameplate Data				230 V, 60 Hz: High Speed Connection	
Rated Output (HP)	5/1.3			Full Load Torque	15.3 LB-FT
Volts	230			Start Configuration	direct on line
Full Load Amps	13.2/5			Breakdown Torque	50 LB-FT
R.P.M.	1725/850			Pull-up Torque	31 LB-FT
Hz	60	Phase	3	Locked-rotor Torque	34 LB-FT
NEMA Design Code	B	KVA Code	J	Starting Current	96 A
Service Factor (S.F.)	1			No-load Current	6.3 A
NEMA Nom. Eff.	0	Power Factor	0	Line-line Res. @ 25°C	0.988 Ω
Rating - Duty	40C AMB-CONT			Temp. Rise @ Rated Load	67°C

Load Characteristics 230 V, 60 Hz, 5 HP

% of Rated Load	25	50	75	100	125	150
Power Factor	46	68	79	85	89	90
Efficiency	72.2	80.9	83	82.9	81.7	79.8
Speed	1780	1762	1743	1720	1698	1670
Line amperes	7	8.6	10.7	13.2	16.2	19.5

Performance Graph at 230V, 60Hz, 5.0HP Typical performance - Not guaranteed values



AC Induction Motor Performance Data

Record # 10805 - Typical performance - not guaranteed values

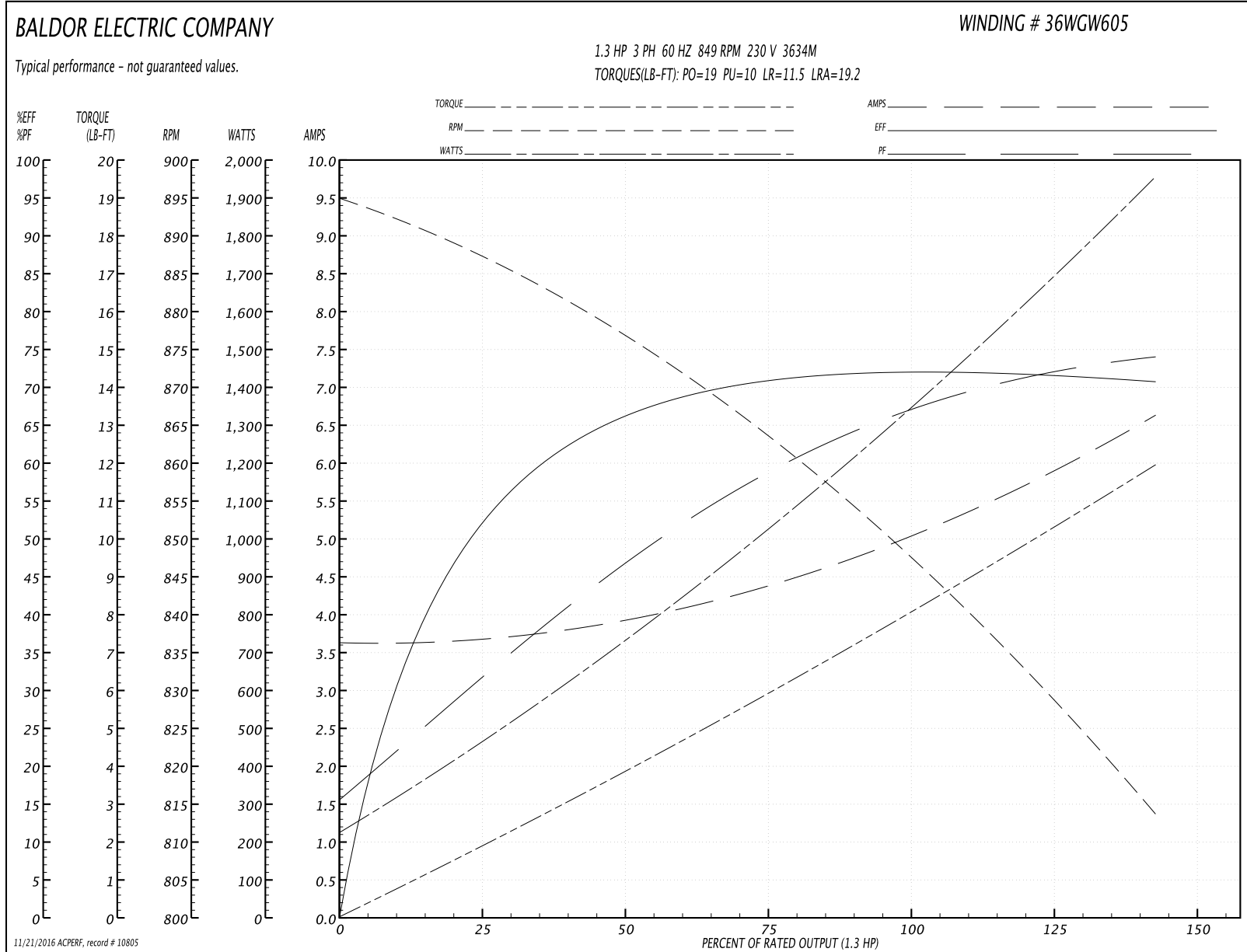
Winding: 36WGW605-R001	Type: 3634M	Enclosure: OPEN
-------------------------------	--------------------	------------------------

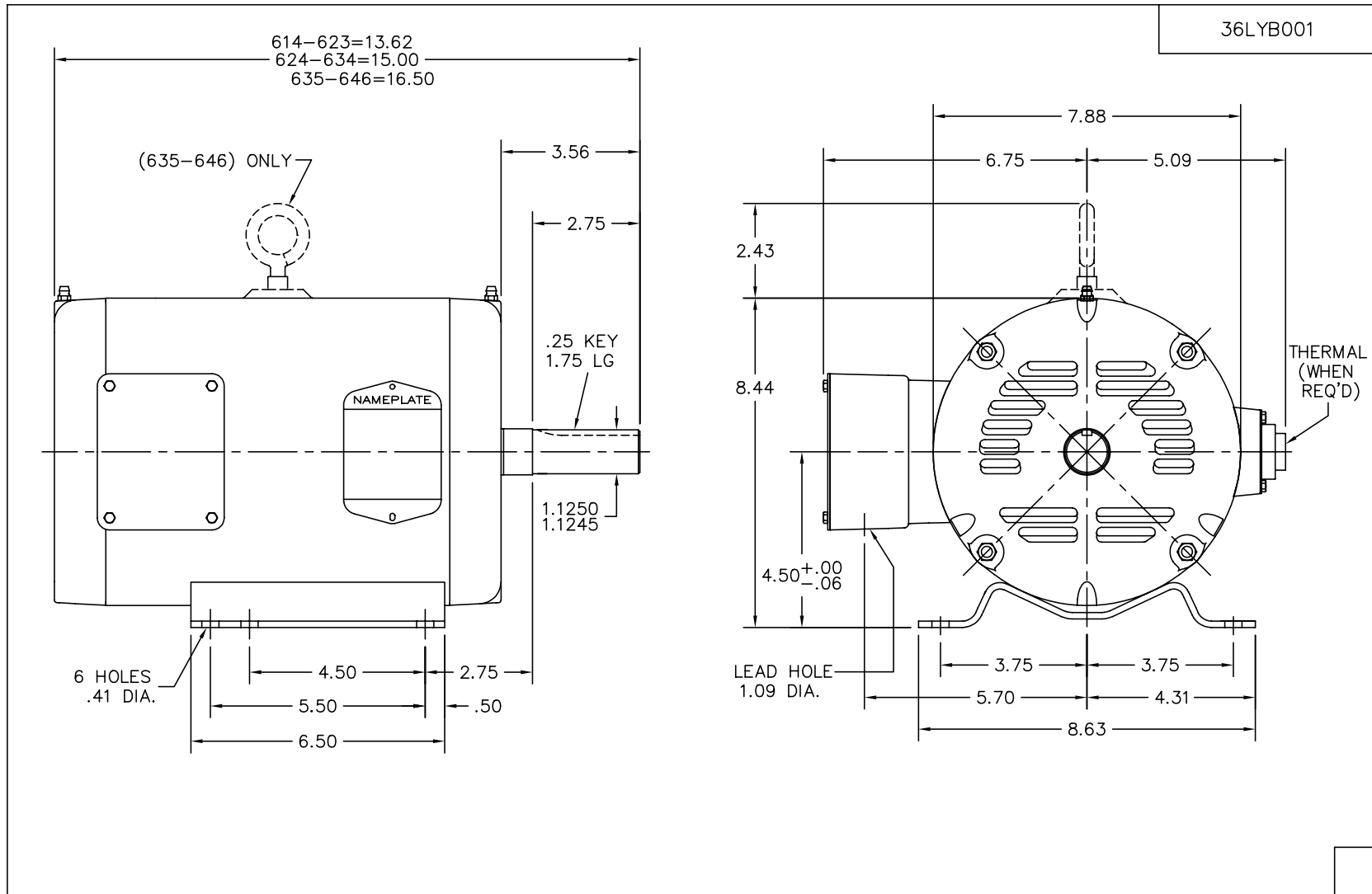
Nameplate Data				230 V, 60 Hz: Low Speed Connection	
Rated Output (HP)	5/1.3			Full Load Torque	8 LB-FT
Volts	230			Start Configuration	direct on line
Full Load Amps	13.2/5			Breakdown Torque	19 LB-FT
R.P.M.	1725/850			Pull-up Torque	10 LB-FT
Hz	60	Phase	3	Locked-rotor Torque	11.5 LB-FT
NEMA Design Code	B	KVA Code	J	Starting Current	19.2 A
Service Factor (S.F.)	1			No-load Current	3.6 A
NEMA Nom. Eff.	0	Power Factor	0	Line-line Res. @ 25°C	4.05 Ω
Rating - Duty	40C AMB-CONT			Temp. Rise @ Rated Load	54°C

Load Characteristics 230 V, 60 Hz, 1.3 HP

% of Rated Load	25	50	75	100	125	150
Power Factor	32	47	59	67	73	77
Efficiency	51.8	65.8	71	72.6	72.2	70.3
Speed	886	875	863	849	833	812
Line amperes	3.7	4	4.4	5	5.7	6.7

Performance Graph at 230V, 60Hz, 1.3HP Typical performance - Not guaranteed values



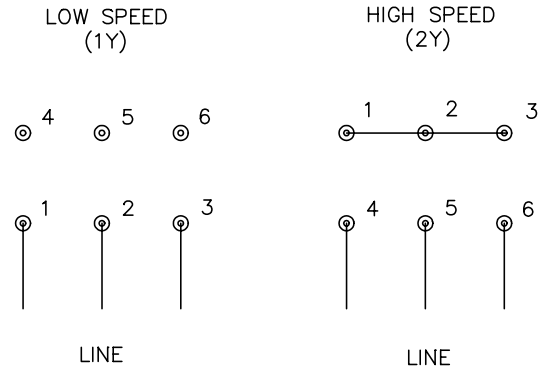


36LYB001

CUST. NAME		CUST. P.O.		CERTIFIED BY		MODEL		INSUL		AMB							
H.P.		MTG		TYPE		R.P.M.		VOLTS		ENCL		PHASE		FREQ		FRAME	
REV. DESC: CHG'D TO HAVE NEW NEC CONDUIT BOX												<h2>BALDOR ELECTRIC Co.</h2> <p>STANDARD HORZ NEMA 182-4T OPEN 36M</p>					
REV. LTR: M		BY: JD		REVISED: 05/19/99 3:45				TDR: 0181963									
36LYB001				FILE: AAA00002559				MDL: -									
MTL: -																	

36LYB001

CD0032



NOTES:

1. INTERCHANGE ANY TWO LINE LEADS TO REVERSE ROTATION.
2. OPTIONAL THERMOSTATS ARE PROVIDED WHEN SPECIFIED.
3. ACTUAL NUMBER OF INTERNAL PARALLEL CIRCUITS MAY BE A MULTIPLE OF THOSE SHOWN ABOVE.
4. LEAD COLORS ARE OPTIONAL. LEADS MUST ALWAYS BE NUMBERED AS SHOWN.

REV. DESC: REVISE TO SHOW OPTIONAL COLORS			
REV. LTR: E	BY: JLP	REVISED: 01/22/99 8:27	TDR: 0171435
CD0032		FILE: AAA00005145	MDL: -
		MTL: -	

BALDOR ELECTRIC Co.

3PH, SV, 6 LEADS, 2-SPEED 1-WINDING VARIABLE TORQUE

CD0032