

BALDOR® • RELIANCE

Product Information Packet

VEBNM3554T-D

1.5HP, 1755RPM, 3PH, 60HZ, 145TC, 3533M, TENV

Part Detail							
Revision:	C	Status:	PRD/A	Change #:		Proprietary:	No
Type:	AC	Prod. Type:	3533M	Elec. Spec:	35WGM613	CD Diagram:	CD0005
Enclosure:	TENV	Mfg Plant:		Mech. Spec:	35X142	Layout:	35LYX142
Frame:	145TC	Mounting:	F3	Poles:	04	Created Date:	10-08-2015
Base:	N	Rotation:	R	Insulation:	F	Eff. Date:	11-03-2016
Leads:	9#18					Replaced By:	
Literature:		Elec. Diagram:					

Nameplate NP2934L	
CAT.NO.	VEBNM3554T-D
SPEC.	35X142M613G1
HP	1.5
VOLTS	230/460
AMP	4.2/2.1
RPM	1755
FRAME	145TC
	HZ 60
	PH 3
SER.F.	1.15
	CODE K
	DES B
	CL F
NEMA-NOM-EFF	86.5
	PF 76
RATING	40C AMB-CONT
CC	010A
	USABLE AT 208V 4.4
DE	6205
	ODE 6203
ENCL	TENV
	SN
	IP44

Parts List		
Part Number	Description	Quantity
SA308433	SA 35X142M613G1	1.000 EA
RA295764	RA 35X142M613G1	1.000 EA
NS2512A01	INSULATOR, CONDUIT BOX X	1.000 EA
35CB4007	KOBX,W/PRIMER (REL# 79097-49-C)	1.000 EA
35GS3009	GASKET, KOBX 35CB4006 (411881-15A)	1.000 EA
WD4101A13	STEEL CAPLUG,BP-1 1/8, PLUG D3561S	1.000 EA
51XB1016A05	10-16X5/16HX WA SL SR TYB (F/S)	2.000 EA
11XW1032G06	10-32 X .38, TAPTITE II, HEX WSHR SLTD U	1.000 EA
HW3001B01	BRASS CUP WASHER, FOR #8 SCREW	1.000 EA
35EP3900T25	FR EP FACE MNT ENCL FOR BRAKE	1.000 EA
HW5100A03SP	WAVY WASHER (W1543-017)	1.000 EA
35EP3300A33	SPL FACE MTD EP -ENCL-205 BRG	1.000 EA
51XN1032A20	10-32 X 1 1/4 HX WS SL SR	2.000 EA
10XN3816K64	3/8-16X4 HX HD CAP SCREW, GRADE 5	4.000 EA
HW1001A38	LOCKWASHER 3/8, ZINC PLT .688 OD, .382 I	4.000 EA
BR2006B01	DBSC SPLINED HUB 5/8 BOR	1.000 EA
35CB4519	CB LID RAW & UNPRIMED, REL# 79097-50-B	1.000 EA
35GS3019A01	LEXIDE GASKET, FOR KOBX LID 35CB4519	1.000 EA
51XW0832A07	8-32 X .44, TAPTITE II, HEX WSHR SLTD SE	4.000 EA
WD4006A01	WIRE JOINT,T&B RB-4 OR RB-44	1.000 EA
HW2501D13	KEY, 3/16 SQ X 1.375	1.000 EA
HA7000A04	KEY RETAINER 0.625 DIA SHAFTS	1.000 EA
85XU0407S04	4X1/4 U DRIVE PIN STAINLESS	2.000 EA
LB1419	CONNECTION LABEL	1.000 EA

Parts List (continued)		
Part Number	Description	Quantity
MJ1000A02	GREASE, POLYREX EM EXXON (USe 4824-15A)	0.050 LB
MG1000N49	MUNSELL 8.5BG 3.57/2.0, GLOSS 30, B/G,	0.017 GA
HA3100A18	THRUBOLT 10-32 X 9.250	4.000 EA
46BK0304B01	DBSC-VP-10-MA-230/460 VAC	1.000 EA
LB1119N	WARNING LABEL	1.000 EA
LC0005	CONN.DIA.,TY M,9-LD,DUAL VOLT,REVERSING	1.000 EA
MN416A01	TAG-INSTAL-MAINT no wire (1200/bx) 11/14	1.000 EA
NP2934L	ALUM SUPER-E UL CSA-EEV CE CC PREM	1.000 EA
36PA1001	PKG GRP, PRINT PK1017A06	1.000 EA
PK3082	STYROFOAM CRADLE	1.000 EA

AC Induction Motor Performance Data

Record # 52498 - Typical performance - not guaranteed values

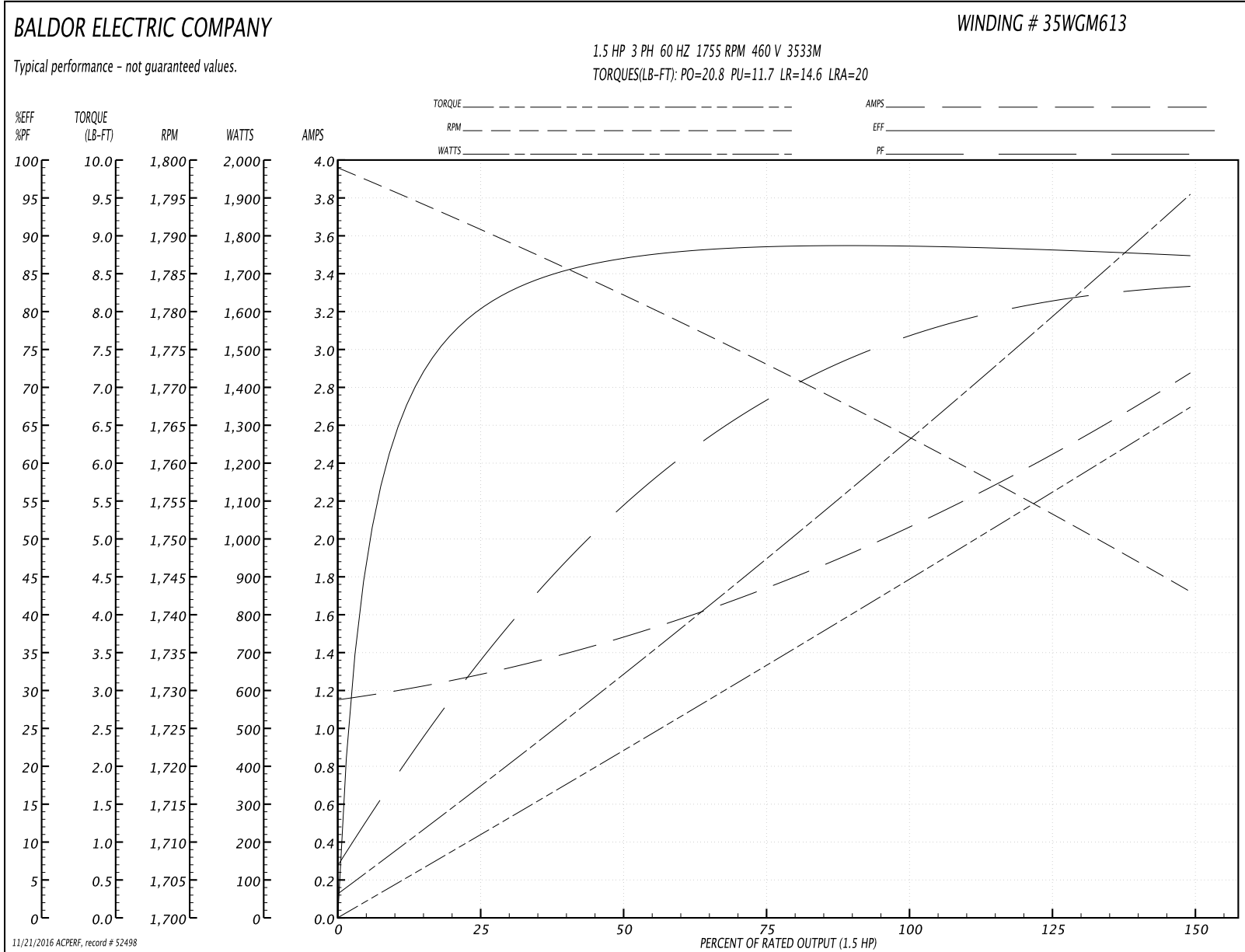
Winding: 35WGM613-R012	Type: 3533M	Enclosure: TENV
-------------------------------	--------------------	------------------------

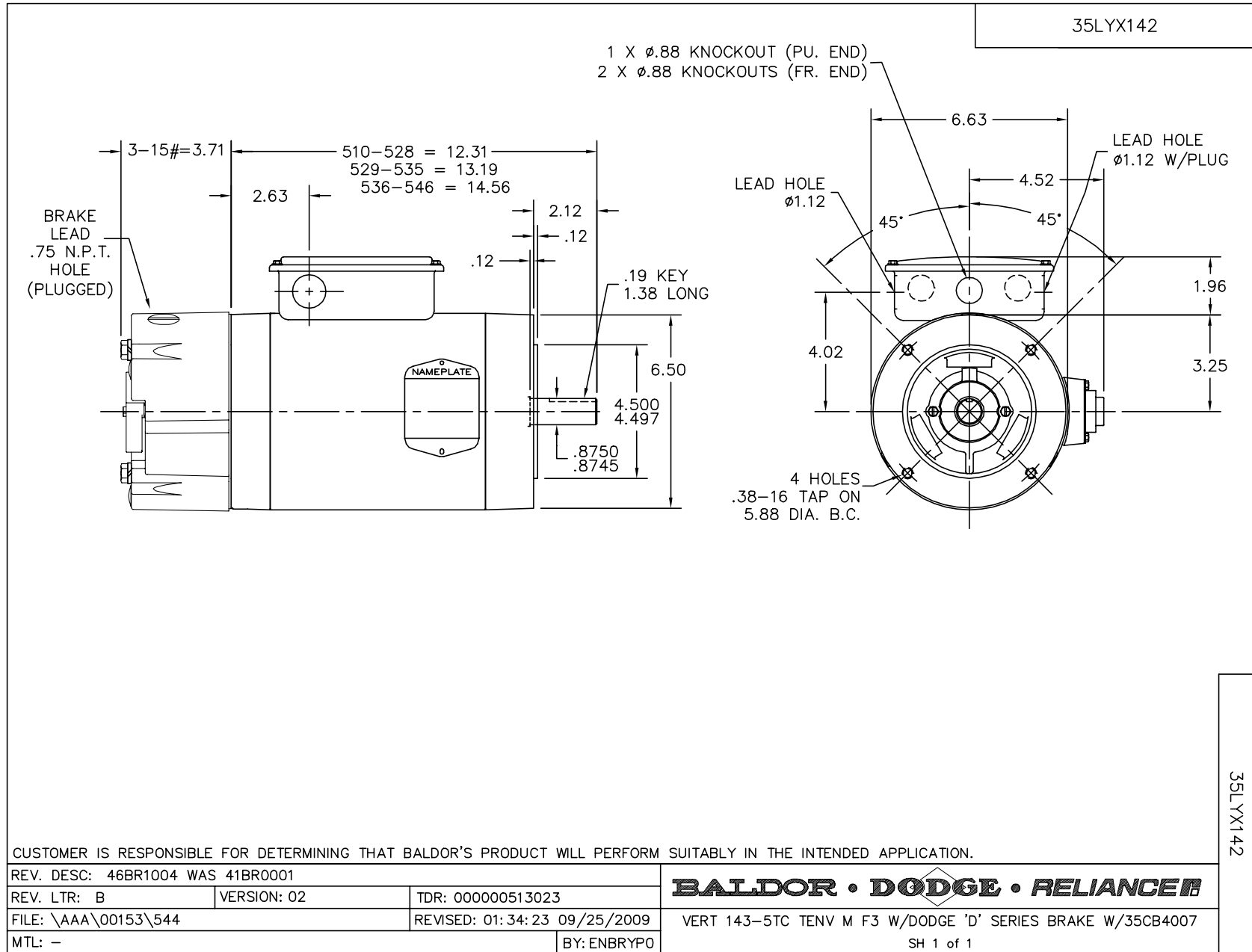
Nameplate Data				460 V, 60 Hz: High Voltage Connection	
Rated Output (HP)	1.5			Full Load Torque	4.45 LB-FT
Volts	230/460			Start Configuration	direct on line
Full Load Amps	4.2/2.1			Breakdown Torque	20.8 LB-FT
R.P.M.	1755			Pull-up Torque	11.7 LB-FT
Hz	60	Phase	3	Locked-rotor Torque	14.6 LB-FT
NEMA Design Code	B	KVA Code	K	Starting Current	20 A
Service Factor (S.F.)	1.15			No-load Current	1.17 A
NEMA Nom. Eff.	86.5	Power Factor	76	Line-line Res. @ 25°C	8 Ω
Rating - Duty	40C AMB-CONT			Temp. Rise @ Rated Load	77°C
S.F. Amps				Temp. Rise @ S.F. Load	90°C
				Locked-rotor Power Factor	46
				Rotor inertia	0.195 LB-FT ²

Load Characteristics 460 V, 60 Hz, 1.5 HP

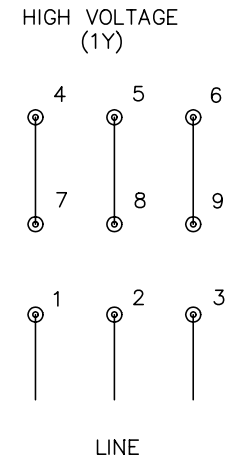
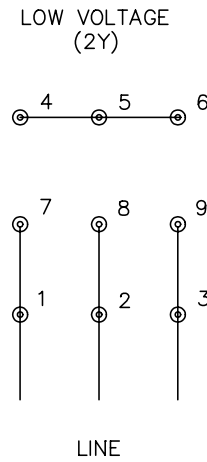
% of Rated Load	25	50	75	100	125	150	S.F.
Power Factor	35	54	68	76	81	84	79
Efficiency	80.5	87.1	88.3	88.8	88.3	87.4	88.5
Speed	1791	1782	1773	1764	1753	1743	1757
Line amperes	1.26	1.46	1.76	2.07	2.45	2.87	2.3

Performance Graph at 460V, 60Hz, 1.5HP Typical performance - Not guaranteed values





CD0005



NOTES:

1. INTERCHANGE ANY TWO LINE LEADS TO REVERSE ROTATION.
2. OPTIONAL THERMOSTATS ARE PROVIDED WHEN SPECIFIED.
3. ACTUAL NUMBER OF INTERNAL PARALLEL CIRCUITS MAY BE A MULTIPLE OF THOSE SHOWN ABOVE.
4. LEAD COLORS ARE OPTIONAL. LEADS MUST ALWAYS BE NUMBERED AS SHOWN.

REV. DESC: REVISE TO SHOW OPTIONAL COLORS			
REV. LTR: E	BY: JLP	REVISED: 01/19/99 10:15	TDR: 0171435
9000D		FILE: AAA00005140	MDL: -
		MTL: -	

BALDOR ELECTRIC Co.

3PH, DV, 9 LEADS

CD0005