

# **BALDOR**® • **RELIANCE**

## **Product Information Packet**

# **VHEM2539T**

**40HP,1780RPM,3PH,60HZ,324HP,1250M,OPEN,F**

Part Detail							
Revision:	B	Status:	PRD/A	Change #:		Proprietary:	No
Type:	AC	Prod. Type:	1250M	Elec. Spec:	12WGX691	CD Diagram:	CD0180
Enclosure:	OPEN	Mfg Plant:		Mech. Spec:	12E671	Layout:	12LYE671
Frame:	324HP	Mounting:	F1	Poles:	04	Created Date:	07-10-2015
Base:	N	Rotation:	R	Insulation:	F	Eff. Date:	04-05-2016
Leads:	9#8					Replaced By:	
Literature:		Elec. Diagram:					

Nameplate NP2138L											
CAT.NO.	VHEM2539T			P/N				ENCLOSURE	OPEN		
SPEC.	12E671X691G2		CC	010A	FRAME	324HP		S/N			
HP	40			CLASS	F	HZ	60				
RPM	1780		PH	3	DES	A					
VOLT	230/460				KVA-CODE	H		ODE BRG	6311	DE BRG	6313
AMP	96/48			USABLE AT 208V	102						
RATING	40C AMB-CONT			GREASE	POLYREX EM						
NEMA-NOM-EFF	94.1	PF	82	SER.F.	1.15						
HTR-VOLTS			HTR-AMPS			MAX. SPACE HEATER TEMP.					

Parts List		
Part Number	Description	Quantity
SA303705	SA 12E671X691G2	1.000 EA
RA290845	RA 12E671X691G2	1.000 EA
S/P107-000-004	SUPER-E(284 FR. & UP)-CL PLANT,POLYREX E	1.000 EA
10CB3000A52	KOBX,MACH W/3.50 MTG PAT, 2.00 NPT, #26	1.000 EA
14GS1000SP	GASKET, CONDUIT BOX	1.000 EA
10XN3118K12	5/16-18 X .75 GRADE 5, ZINC PLATED	4.000 EA
HW1001A31	LOCKWASHER 5/16, ZINC PLT.591 OD, .319 I	4.000 EA
WD1000B16	T&B CX70TN TERMINAL	1.000 EA
51XF2520A08	SCREW, HEX SER SLT HD, ZN 1/4-20 X .50 L	1.000 EA
12EP1205A01	FREP, MACH - 311 BRG	1.000 EA
12AD2000A01	AIR DEFLECTOR	1.000 EA
10XN2520K08	1/4-20 X .50 GRADE #5, STL, ZINC PLATE	3.000 EA
10XN5013K64	HEX HD SCREW, 1/2-13X4.00GRADE 5, ZINC P	4.000 EA
HW1001A50	LOCKWASHER 1/2, ZINC PLT.,.879 OD, .509 I	4.000 EA
HW5100A13	W4627-047 WVY WSHER	1.000 EA
10XN3816K80	3/8-16 X 5.00 HEX HD CAP SCREW GRADE 5 Z	4.000 EA
HW1001A38	LOCKWASHER 3/8, ZINC PLT .688 OD, .382 I	4.000 EA
12EP1506A02	PUEP, MACH - 313 BRG	1.000 EA
10XN5013K44	1/2-13 X 2.75 HEX HD GRADE 5	4.000 EA
HW1001A50	LOCKWASHER 1/2, ZINC PLT.,.879 OD, .509 I	4.000 EA
HW4600B42	V-RING SLINGER 2.375 X 3.070 X .28 VITON	1.000 EA
12FH1501A01	DRIP COVER, MACH	1.000 EA
HW3201A13	.62-11 EYEBOLT W/2.00 SHANK	2.000 EA
HW1000A62	WASHER, 5/8" FLAT USS	2.000 EA

<b>Parts List (continued)</b>		
<b>Part Number</b>	<b>Description</b>	<b>Quantity</b>
HW1001A63	WASHER, 5/8 SPLIT LK, ZN	2.000 EA
10CB3500	CONDUIT BOX LID, CAST	1.000 EA
10GS1000SP	GASKET, CONDUIT BOX LID	1.000 EA
51XW2520A12	.25-20 X .75, TAPTITE II, HEX WSHR SLTD	4.000 EA
HW1001A25	LOCKWASHER 1/4, ZINC PLT .493 OD, .255 I	4.000 EA
HW2501G32	KEY, 3/8 SQ X 3.750	1.000 EA
LB1182	WARNING LABEL FOR MOTORS WITH EYENUTS	1.000 EA
HW4500A03	GREASE FITTING, .125 NPT 1610(ALEMITE) 8	1.000 EA
HW4500A17	317400 ALEMITE GREASE RELIEF	1.000 EA
HA4051A00	PLASTIC CAP FOR GREASE FITTING	1.000 EA
MG1025G05	WILKOFASST, 789.227, MED. GRAY CHAR. MET.	0.080 GA
MJ1000A02	GREASE, POLYREX EM EXXON (USe 4824-15A)	0.200 LB
HW4500A03	GREASE FITTING, .125 NPT 1610(ALEMITE) 8	1.000 EA
HW4500A17	317400 ALEMITE GREASE RELIEF	1.000 EA
HA4051A00	PLASTIC CAP FOR GREASE FITTING	1.000 EA
85XU0407S04	4X1/4 U DRIVE PIN STAINLESS	4.000 EA
LB1119N	WARNING LABEL	1.000 EA
LC0181	CONNECTION LABEL	1.000 EA
NP2138L	ALUM SUPER-E UL CSA-EEV PREM CC (300	1.000 EA
10PA1020	PACKAGING GROUP, BLANK PK1151	1.000 EA
MN416A01	TAG-INSTAL-MAINT no wire (1200/bx) 11/14	1.000 EA
LB1417	LABEL CARTON 6X4 PERFORATED BLANK ROLLS	1.000 EA

**AC Induction Motor Performance Data**

Record # 54057 - Typical performance - not guaranteed values

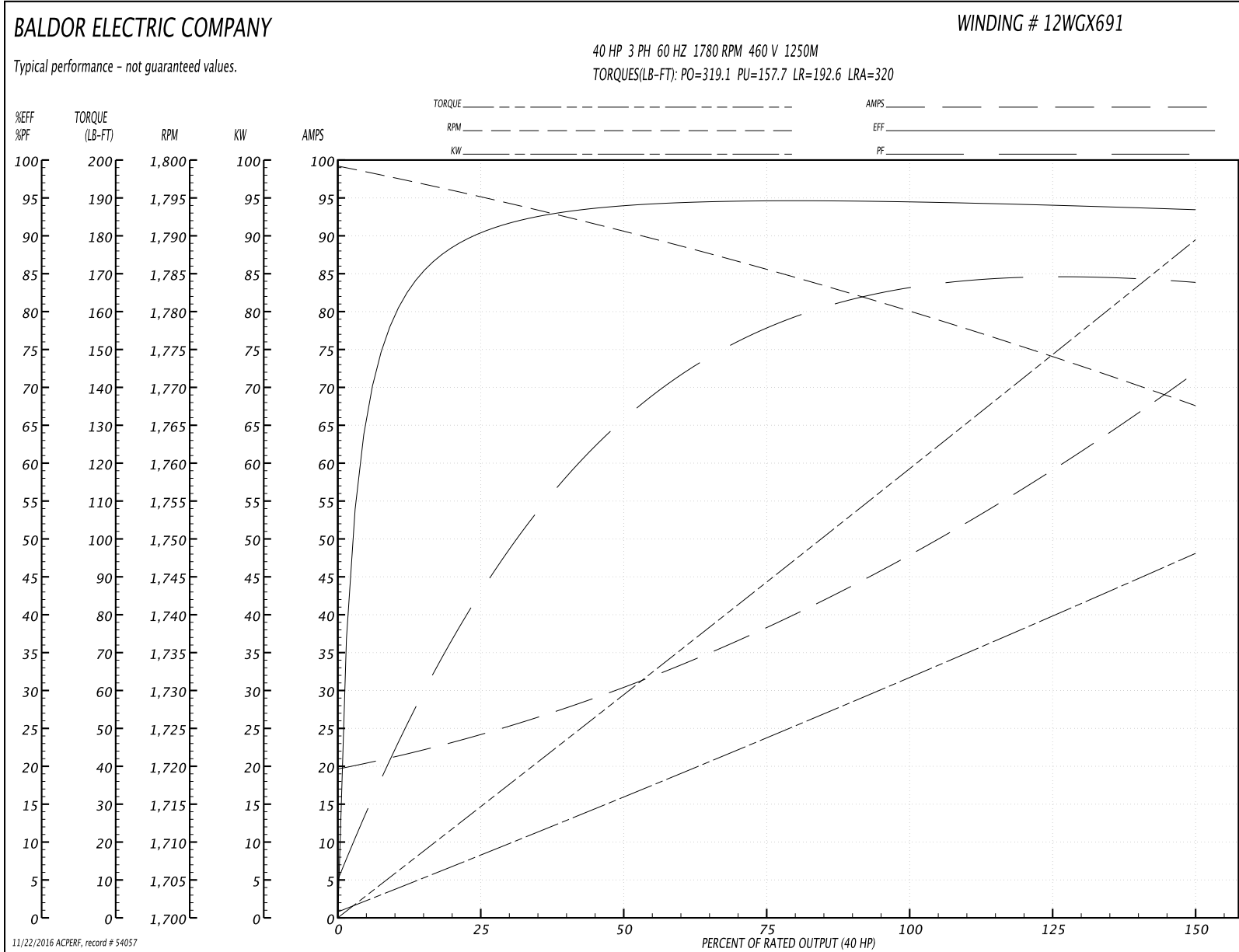
<b>Winding:</b> 12WGX691-R002	<b>Type:</b> 1250M	<b>Enclosure:</b> OPEN
-------------------------------	--------------------	------------------------

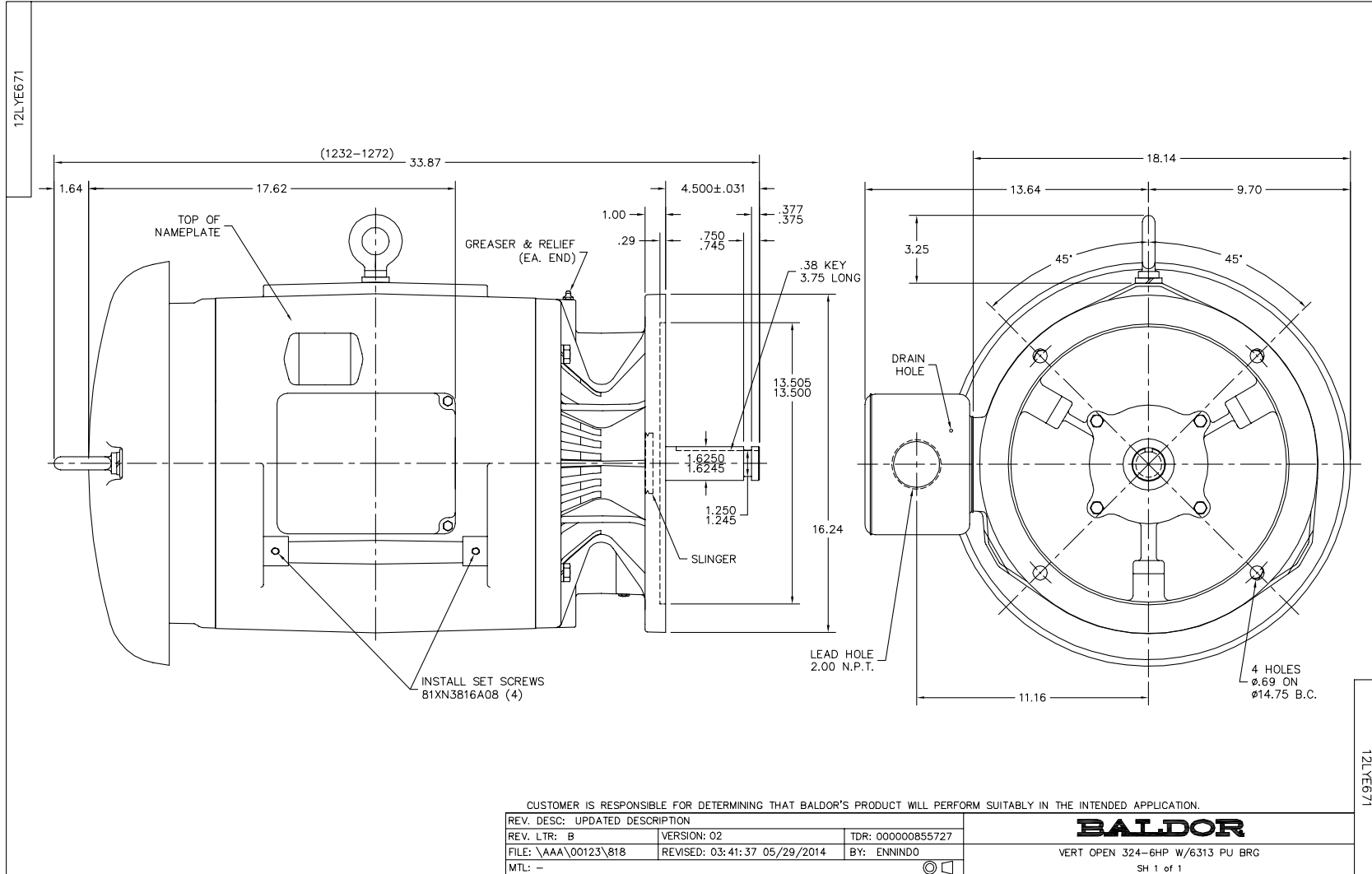
Nameplate Data				460 V, 60 Hz: High Voltage Connection	
Rated Output (HP)	40			Full Load Torque	118 LB-FT
Volts	230/460			Start Configuration	direct on line
Full Load Amps	96/48			Breakdown Torque	319.1 LB-FT
R.P.M.	1780			Pull-up Torque	157.7 LB-FT
Hz	60	Phase	3	Locked-rotor Torque	192.6 LB-FT
NEMA Design Code	A	KVA Code	H	Starting Current	320 A
Service Factor (S.F.)	1.15			No-load Current	20.4 A
NEMA Nom. Eff.	94.1	Power Factor	86	Line-line Res. @ 25°C	0.1585 Ω
Rating - Duty	40C AMB-CONT			Temp. Rise @ Rated Load	35°C
S.F. Amps				Temp. Rise @ S.F. Load	42°C

Load Characteristics 460 V, 60 Hz, 40 HP

% of Rated Load	25	50	75	100	125	150	S.F.
Power Factor	46	67	77	82	84	84	83
Efficiency	90.3	93.8	94.5	94.5	94.1	93.5	94.3
Speed	1795.5	1790.8	1785.4	1780.2	1773.9	1767.8	1776
Line amperes	23.3	29.9	38.4	48.3	59.2	71.5	54.8

Performance Graph at 460V, 60Hz, 40.0HP Typical performance - Not guaranteed values





CD0180

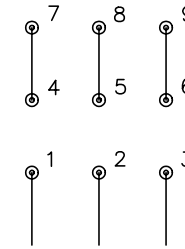


LOW VOLTAGE  
(2D)



LINE

HIGH VOLTAGE  
(1D)



LINE

NOTES:

1. INTERCHANGE ANY TWO LINE LEADS TO REVERSE ROTATION.
2. OPTIONAL THERMOSTATS ARE PROVIDED WHEN SPECIFIED.
3. ACTUAL NUMBER OF INTERNAL PARALLEL CIRCUITS MAY BE A MULTIPLE OF THOSE SHOWN ABOVE.
4. LEAD COLORS ARE OPTIONAL. LEADS MUST ALWAYS BE NUMBERED AS SHOWN.

REV. DESC: REVISE TO SHOW OPTIONAL COLORS

REV. LTR: C BY: JLP

REVISED: 01/21/99 2:28

TDR: 0171435

0810D0

FILE: AAA00005148

MDL: -

MTL: -

**BALDOR ELECTRIC Co.**

3PH, DV, 9 LEADS, DELTA CONNECTION

CD0180