

BALDOR® • RELIANCE

Product Information Packet

VM7031A

.75HP, 1140RPM, 3PH, 60HZ, 56C, X3524M, XPFC

Part Detail							
Revision:	AB	Status:	PRD/A	Change #:		Proprietary:	No
Type:	AC	Prod. Type:	3524M	Elec. Spec:	35WGY025	CD Diagram:	CD0007
Enclosure:	XPFC	Mfg Plant:		Mech. Spec:	35E372	Layout:	35LYE372
Frame:	56C	Mounting:	F1	Poles:	06	Created Date:	
Base:	N	Rotation:	R	Insulation:	B	Eff. Date:	06-08-2015
Leads:	12#18					Replaced By:	
Literature:		Elec. Diagram:					

Nameplate NP0016XPSL	
NO.	<input type="text"/>
SER.	<input type="text"/>
SPEC.	35E372Y25
CAT.NO.	VM7031A
HP	.75
VOLTS	208-230/460
AMPS	3-2.8/1.4
RPM	1140
HZ	60
SER.F.	1.00
RATING	40C AMB-CONT
FRAME	56C
USABLE AT 208V	3
BLANK	<input type="text"/>
	CC <input type="text"/>
	T. CODE T4
	PH 3 CL B
	DES B CODE K
	NEMA-NOM-EFF 77
	PF 63

Parts List		
Part Number	Description	Quantity
SA024064	SA 35E372Y25	1.000 EA
RA020114	RA 35E372Y25	1.000 EA
TPMYJ68KX	THERMAL 3PH 0.75 AUT 120C	1.000 EA
35CB3001A01SP	EXPL CONDUIT BOX, MACH, 1/2" PIPE TAP LE	1.000 EA
11XW1032G06	10-32 X .38, TAPTITE II, HEX WSHR SLTD U	1.000 EA
HW3001B01	BRASS CUP WASHER, FOR #8 SCREW	1.000 EA
35EP3700A01SP	FR ENDPLATE, XPFC	1.000 EA
NS2500A01	INSULATOR, AUTO THER PROT	1.000 EA
HA6001A01	THERMAL RETAINER (PLATED)	1.000 EA
HW5100A03SP	WAVY WASHER (W1543-017)	1.000 EA
35EP3702A01SP	PU EP-205 BRG-35X-56C-143-5TC	1.000 EA
51XN1032A20	10-32 X 1 1/4 HX WS SL SR	2.000 EA
HA3013A01	1/2-20X5/8 SPL.HX BOLT	2.000 EA
HW3021C06	3/32 DI X .625 PIN (F/S)	2.000 EA
XY3118A12	5/16-18 HEX NUT DIRECTIONAL SERRATION	4.000 EA
35FN3002A05	EXFN, PLASTIC, 6.376 OD, .638 ID	1.000 EA
51XW1032A06	10-32 X .38, TAPTITE II, HEX WSHR SLTD S	3.000 EA
35CB3500A01SP	CONDUIT BOX LID, MACH	1.000 EA
51XN2520A16	SCREW, HEX WS SLT, ZN, 1/4-20 X 1.00	4.000 EA
HW2501D13	KEY, 3/16 SQ X 1.375	1.000 EA
HA7000A04	KEY RETAINER 0.625 DIA SHAFTS	1.000 EA
85XU0407S04	4X1/4 U DRIVE PIN STAINLESS	6.000 EA
12XF0632A06	6-32X3/8 TY F HEX HD SLT	2.000 EA
MJ1000A02	GREASE, POLYREX EM EXXON (USe 4824-15A)	0.050 LB

Parts List (continued)		
Part Number	Description	Quantity
51XB1214A16	12-14X1.00 HXWSSLD SERTYB	1.000 EA
35FH4005A01SP	IEC FH NO GREASER W/PRIMED	1.000 EA
MG1025G29	WILKOFASST, 789.229, DARK CHARCOAL GRAY	0.017 GA
NP0018F	ALUM UL XP CONDUIT BOX NAMEPLATE	1.000 EA
HA3104A08	THRUBOLT-5/16-18X9.375 X X	4.000 EA
LB1118	LABEL,WARNING (ROLL LABEL)	1.000 EA
LC0007	CONNECTION LABEL	1.000 EA
NP0016XPSL	SS XP UL CSA CC CL-I GP-D CL-II GP-F&G	1.000 EA
36PA1000	PKG GRP, PRINT PK1016A06	1.000 EA
PK3082	STYROFOAM CRADLE	1.000 EA
MN416A01	TAG-INSTAL-MAINT no wire (1200/bx) 11/14	1.000 EA

AC Induction Motor Performance Data

Record # 10126 - Typical performance - not guaranteed values

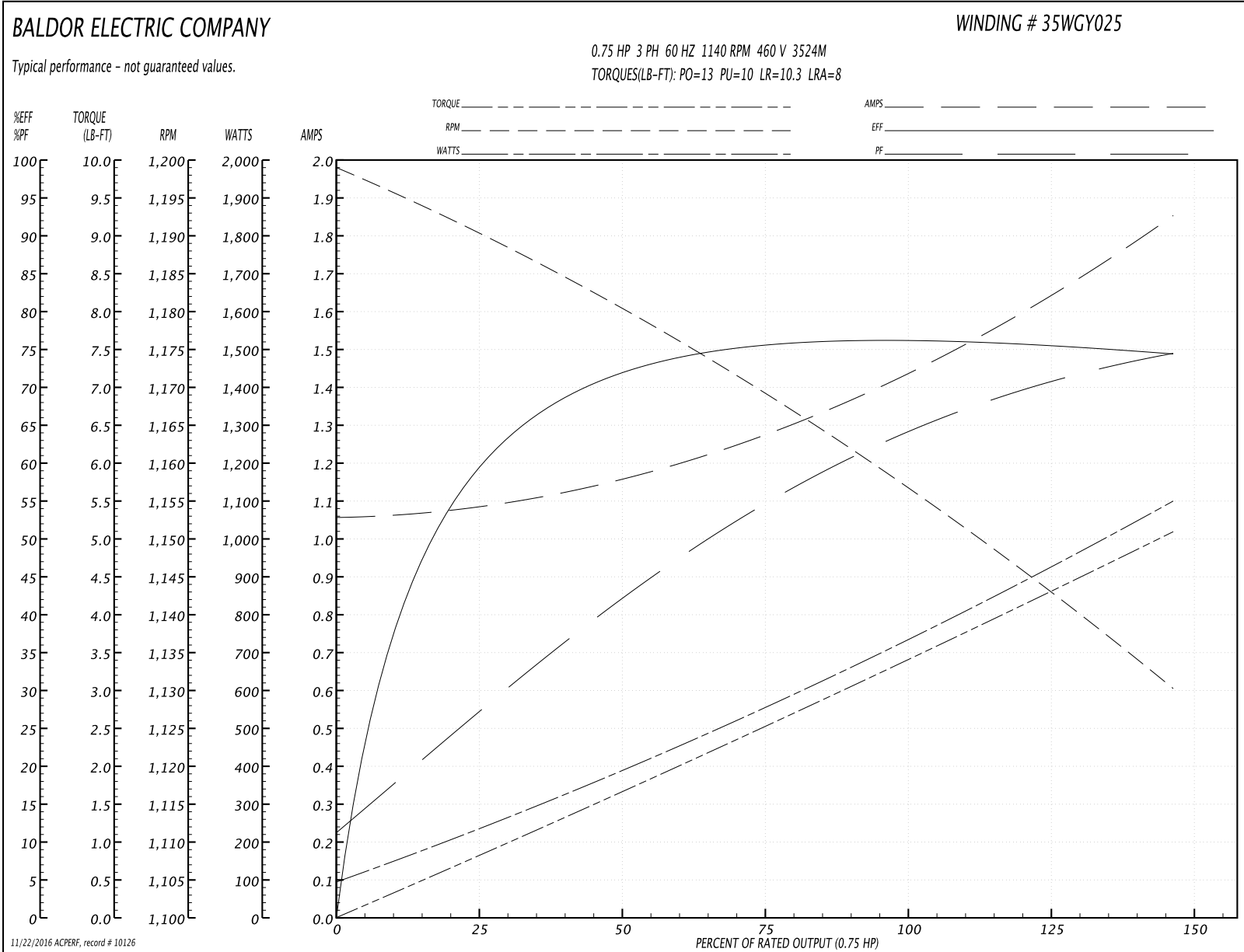
Winding: 35WGY025-R001	Type: 3524M	Enclosure: TEFC
-------------------------------	--------------------	------------------------

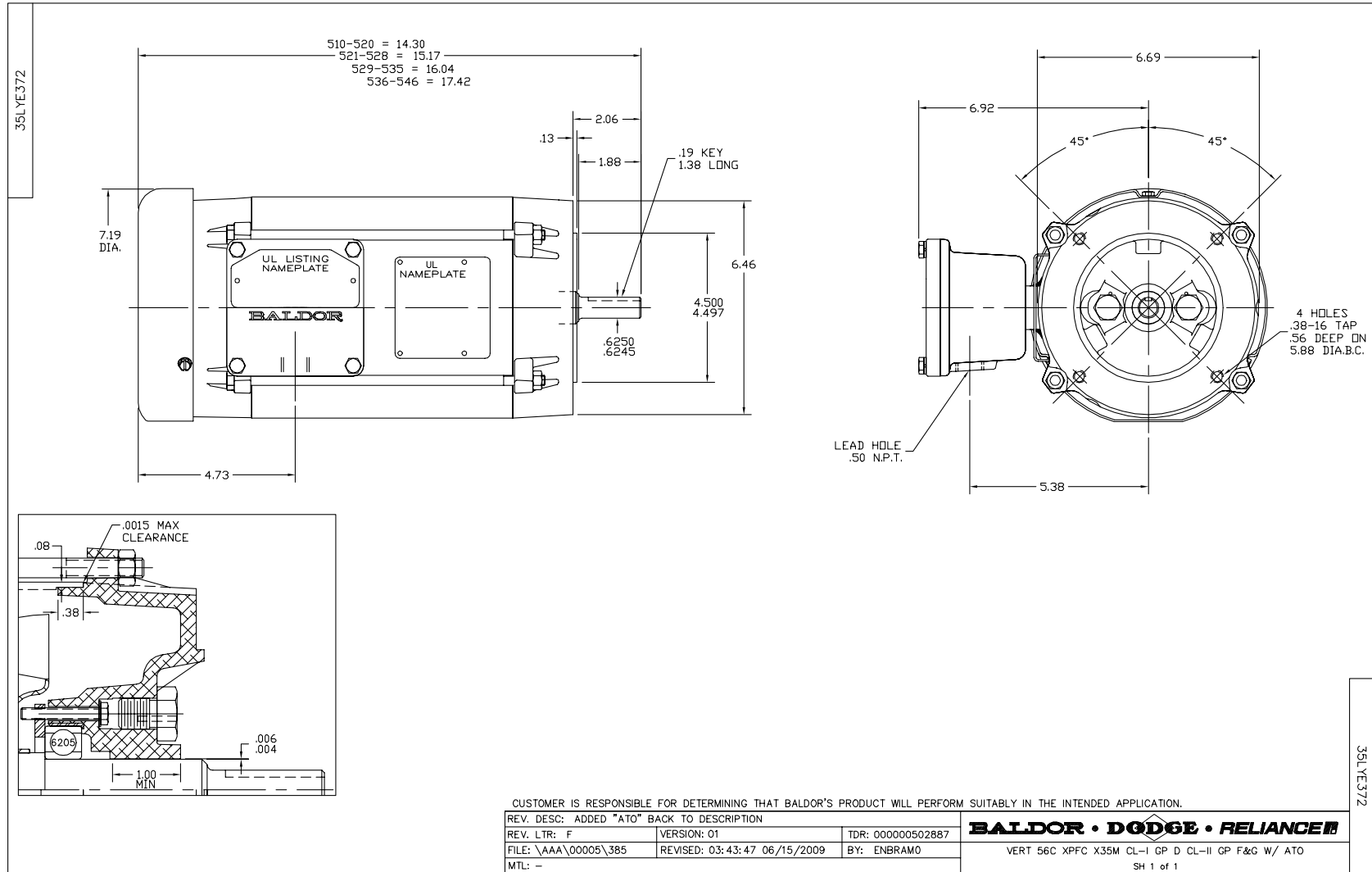
Nameplate Data				460 V, 60 Hz: High Voltage Connection	
Rated Output (HP)	.75			Full Load Torque	3.4 LB-FT
Volts	208-230/460			Start Configuration	direct on line
Full Load Amps	3-2.8/1.4			Breakdown Torque	13 LB-FT
R.P.M.	1140			Pull-up Torque	10 LB-FT
Hz	60	Phase	3	Locked-rotor Torque	10.3 LB-FT
NEMA Design Code	B	KVA Code	K	Starting Current	8 A
Service Factor (S.F.)	1.15			No-load Current	1.05 A
NEMA Nom. Eff.	77	Power Factor	63	Line-line Res. @ 25°C	26 Ω
Rating - Duty	40C AMB-CONT			Temp. Rise @ Rated Load	43°C
S.F. Amps				Temp. Rise @ S.F. Load	51°C

Load Characteristics 460 V, 60 Hz, 0.75 HP

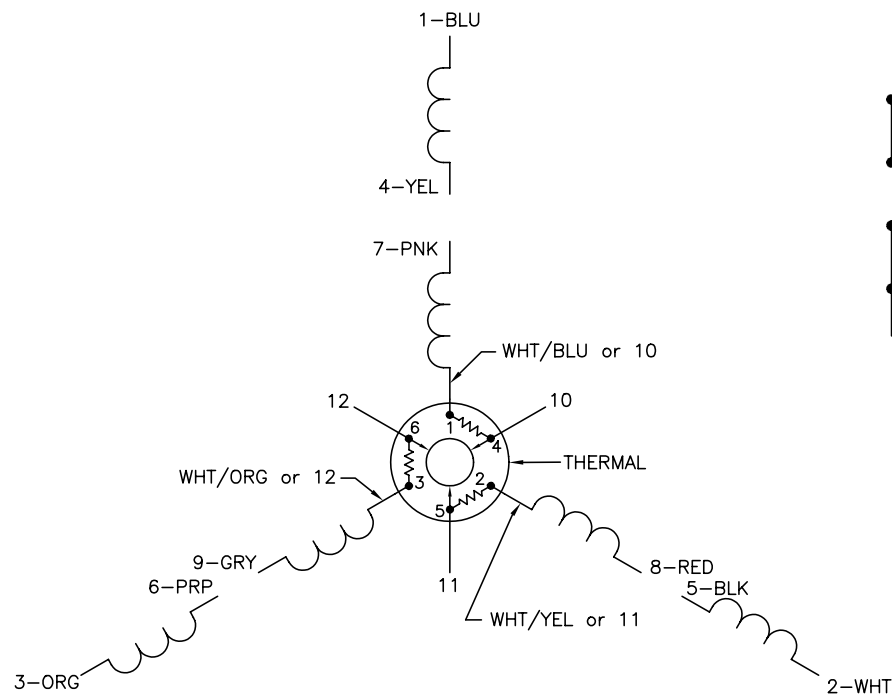
% of Rated Load	25	50	75	100	125	150	S.F.
Power Factor	29	42	55	63	70	73	67
Efficiency	60	71	75	77	76	74	76.5
Speed	1190	1180	1170	1155	1145	1130	1150
Line amperes	1.1	1.15	1.3	1.4	1.65	1.85	1.55

Performance Graph at 460V, 60Hz, 0.75HP Typical performance - Not guaranteed values

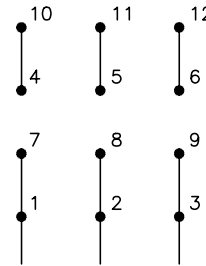




CD0007

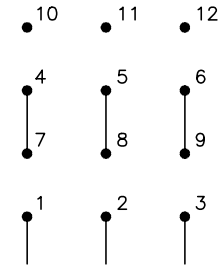


LOW VOLTAGE
(2Y)



LINE

HIGH VOLTAGE
(1Y)



LINE

NOTES:

1. INTERCHANGE ANY TWO LINE LEADS TO REVERSE ROTATION.
2. ACTUAL NUMBER OF INTERNAL PARALLEL CIRCUITS MAY VARY.
3. LEAD COLORS ARE OPTIONAL. LEADS MUST ALWAYS BE NUMBERED AS SHOWN.

REV. DESC: ADDED "CK" PLANT CODE			
REV. LTR: E	BY: EAH	REVISED: 05/06/99 17:1	TDR: 0181040
L00000		FILE: AAA00008370	MDL: -
		MTL: -	

BALDOR ELECTRIC Co.

3PH, DV, THERMAL, 12 LEADS

CD0007