

# **BALDOR**® • ***RELIANCE***

## **Product Information Packet**

# **WDGF4018AG**

**WDF-918-40-B5-G**

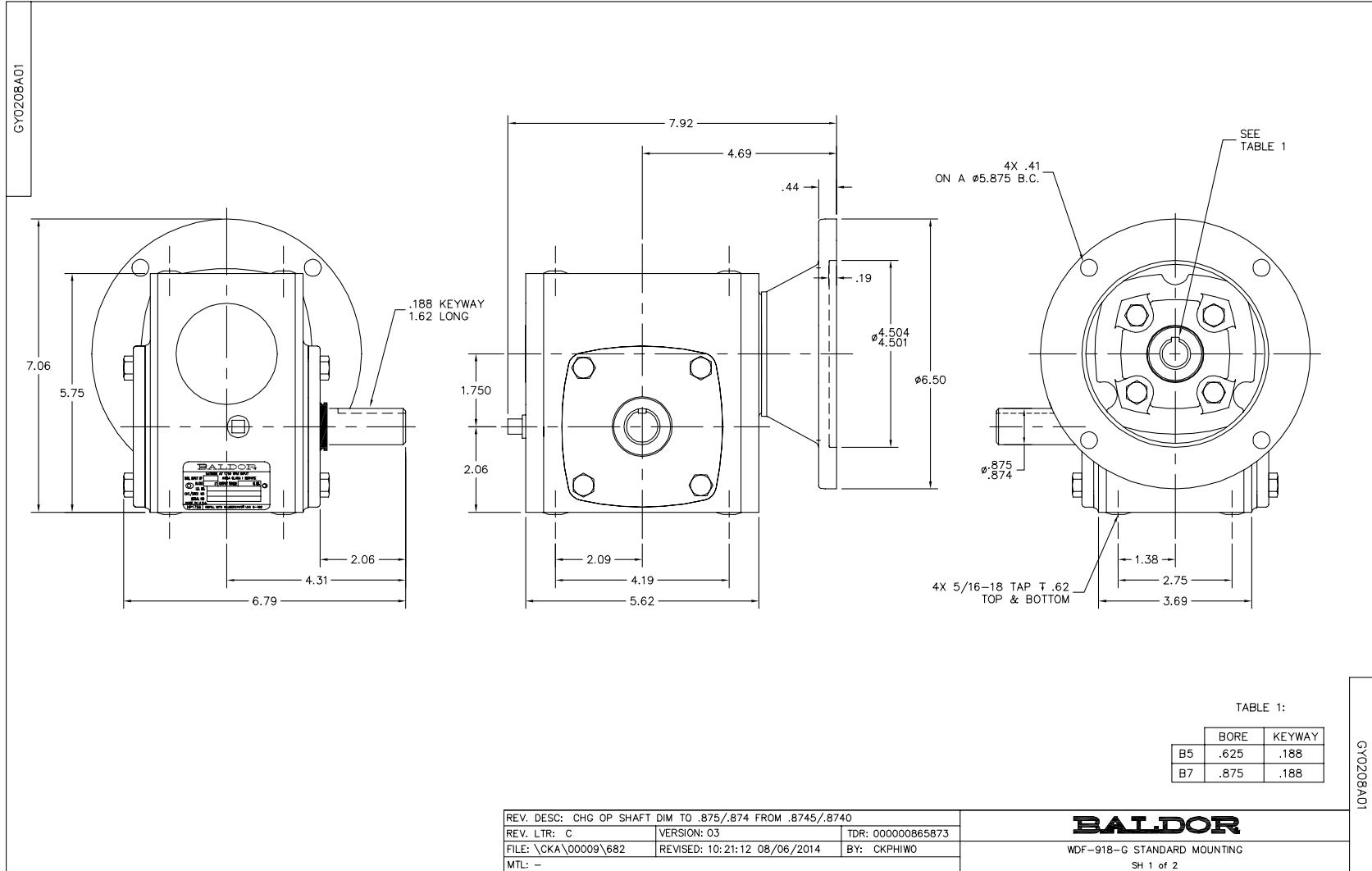
<b>Nameplate NP1756</b>	
<b>INPUT H.P.</b>	.64
<b>RATIO</b>	40
	<b>R TORQ-INLB</b> 461
	WDF-918-40-B5-G
<b>CAT./SPEC</b>	WDFG4018AG
<b>DATE CODE</b>	GR0208C005

Parts List		
Part Number	Description	Quantity
HG0015A10	918 WMGR HSG, SYMM SEALED, W/NP HOLES	1.000 EA
HA4027A01	SQUARE HEAD PIPE PLUG 1/4" NPTF #304 S.S	1.000 EA
HW5000A94	N5000-206 RETAINER RING	2.000 EA
WM0059B07	918 SERIES MTZ WORM ASSY 40:1 RATIO 5/8	1.000 EA
BG6304A01	6304 OPEN,C3,SLUSH	1.000 EA
918-9SR	5160-75 RET RING 5160-75	1.000 EA
HA3555A04	EXPANSION PLUG 2.053/2.049 X 9/32	1.000 EA
HW4600G25	SEAL 35MM X 52MM X 8MM SGL LIP FT802	1.000 EA
GF0001A01	918-3F56 GEAR FLANGE MACHINING 1.75 CD N	1.000 EA
10XN3118S20	5/16-18 X 1 1/4 HEX HEAD CAP, STAINLESS	4.000 EA
HW1001S31	WASHER, 5/16 SPLT LK, STAINLESS STEEL	4.000 EA
BS0014A02	918-5 BEARING SUPPORT, OPEN-FOR SYMM HSG	1.000 EA
GS0034A01	WORMGEAR GASKET, .003 (GREEN), 3.15 ID X	1.000 EA
GS0034A02	WORMGEAR GASKET, .005 (BLUE), 3.15 ID X	2.000 EA
GS0034A03	WORMGEAR GASKET, .010 (BROWN), 3.15 ID X	2.000 EA
HW4600G47	SEAL .875 X 1.375 X 0.250 DBLLIP, FT802	1.000 EA
HW4600B46	V-RING SLINGER 0.875 X 1.420 X .24 VITON	1.000 EA
10XN3118S12	5/16-18 X 3/4 HEX HEAD CAP, STAINLESS ST	4.000 EA
SG0016B19	918 WASHDN GEAR SH ASSY 40:1, SGL O/P, W	1.000 EA
BS0046A02	918 BEARING SUPPORT MACH. CLOSED	1.000 EA
GS0034A01	WORMGEAR GASKET, .003 (GREEN), 3.15 ID X	1.000 EA
GS0034A02	WORMGEAR GASKET, .005 (BLUE), 3.15 ID X	2.000 EA
GS0034A03	WORMGEAR GASKET, .010 (BROWN), 3.15 ID X	2.000 EA
10XN3118S12	5/16-18 X 3/4 HEX HEAD CAP, STAINLESS ST	4.000 EA

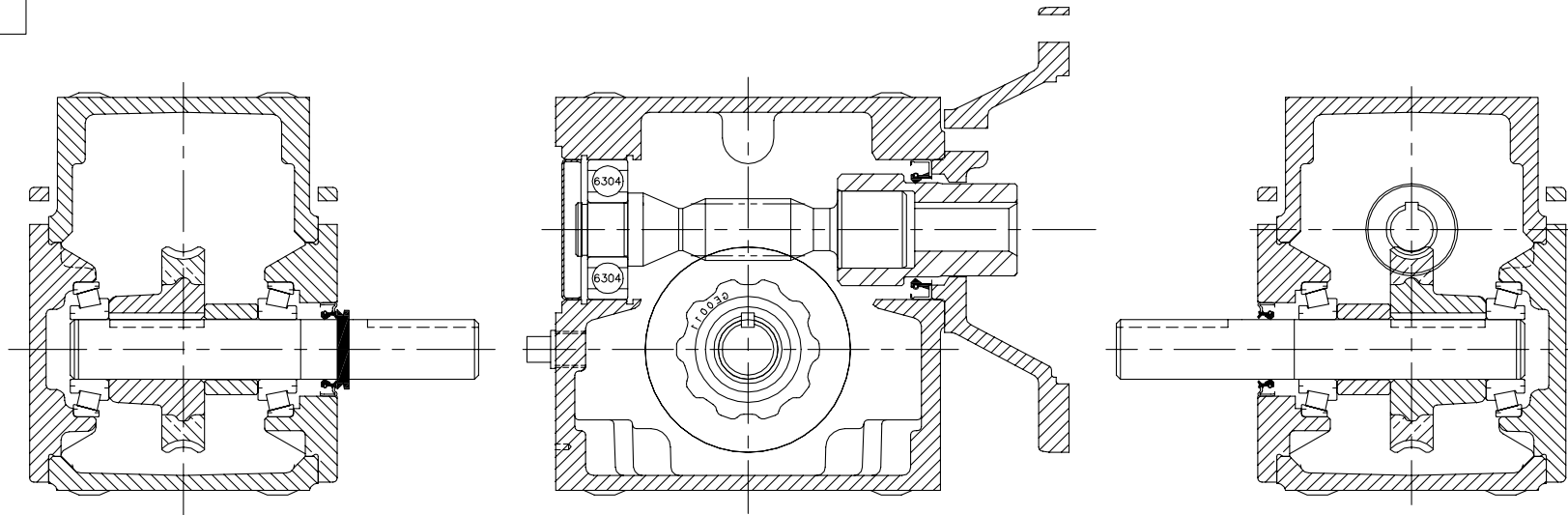
<b>Parts List (continued)</b>		
<b>Part Number</b>	<b>Description</b>	<b>Quantity</b>
HA3557A01	ALLIANCE #I-5/16 MTG HOLE PLUG (YELLOW)	4.000 EA
MJ1000A90	KLUBERSYNTH UH1-6-460 WORMGEAR OIL	0.125 GA
MJ5019A01	ADHESIVE LOCTITE #680 WAS BAD4525	0.001 EA
MJ5004A35	ADHESIVE LOCTITE #243-31 50 ML	0.001 EA
MJ5001A19	LOCTITE #598 ULTRA BLACK, 50 LB PAIL, IT	0.010 LB
MG1500Y09	RAL 1001 WILKOFAS 701.09	0.030 GA
MG1025W01	WILKOFAS, 781.01, SIGNAL WHITE #9003	0.030 GA
LB5042	TOE TAG, OIL PREFILL KLUBERSYN (5000/bx)	1.000 EA
LT0066A08	REDUCER MAINT - KLUBE (1700/bx) 8/09	1.000 EA
NP1756	NAMEPLATE, GEAR REDUCER, KLUBERSYNTH UH1	1.000 EA
LB1242	ADHESIVE PATCH 1.10 X 2.03 X .045 THICK	1.000 EA
85XU0208S03	2 X 3/16 DRIVE PIN S.S. (BMH5033)	2.000 EA
35PA1000	PKG GRP, PRINT PK1008A06	1.000 EA
HW2502D10	KEY, 3/16 SQ X 1.000 SS	1.000 EA
10XN3816S16	3/8-16 X 1 HEX HD CAP SCREW, STAINLE	4.000 EA
HW1001S38	WASHER, 3/8 SPLT LK, STAINLESS STEEL	4.000 EA
MJ1000B01	ANTISEIZE - ALTEMP Q NB 50, 750 GRAM CAN	0.001 EA
HA3556A01	CAPPLUGS T-7X, ORM BORE PLUG 5/8 BORE	1.000 EA
MP1009A01	4 X 4 ZIP POLYBAG, 4 MIL	1.000 EA
PK3101	EXPANDED POLYETHYLENE PAD (BSM), 8 X 6	1.000 EA

<b>Accessories</b>		
<b>Part Number</b>	<b>Description</b>	<b>Multiplier</b>
WDB18H71	WASHDOWN BASE-HORIZONTAL POS. A/B 918	

No performance data has been assigned to this product.



GY0208A01



GY0208A01

REV. DESC: CHG OP SHAFT DIM TO .875/.874 FROM .8745/.8740		
REV. LTR: C	VERSION: 03	TDR: 000000865873
FILE: \CKA\00009\682	REVISED: 10:21:14 08/06/2014	BY: CKPHIWO
MTL: -		

**BALDOR**  
WDF-918-G STANDARD MOUNTING  
SH 2 of 2