

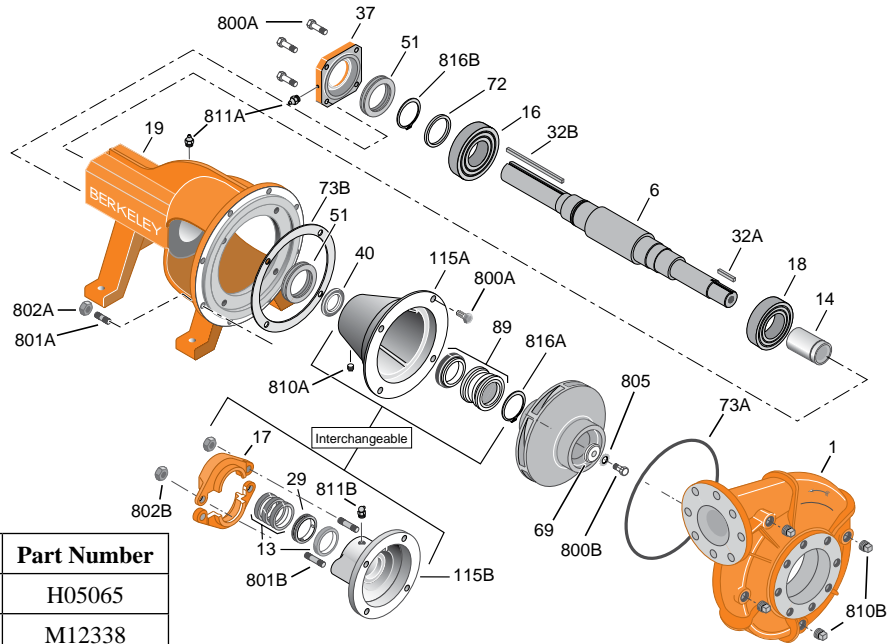


Type "B" Single Stage Centrifugal Pump Bearing Frame Mount

Section	FM
Page	265.1
Date	July 1, 2011
Supersedes 1/1/04	

CAST IRON IMPELLER

B6ZRH(S), B6ZRL(S)



Item	Part Description	Part Number
1	Volute Case, CW Flanged	H05065
6	Shaft	M12338
14	Shaft Sleeve	M12422L
16	Single Row Ball Bearing	S13395
18	Ball Bearing	S13397
19	Bracket	M12332
32A	Shaft Key, 1/4" Sq. x 2-1/4" Lg. - Impeller	S23677
32B	Shaft Key, 3/8" Sq. x 2-1/4" Lg.	S23941
37	Bearing Cap	M12335
40	Water Slinger	S10964
51	Grease Seal (2 Req.)	M12337
69	Lock Washer	S06319
72	Thrust Ring	S06519
37	Outer Bearing Cap Assembly*	S19914
40	Slinger, Water	S12260
69	Washer, Impeller	S06314
73	O-Ring (See Note 1)	M14943
73B	Balance Ring Gasket	S09943
800A	3/8-16 x 1" Lg. Hex Hd Capscrew (8 Req.)	S26826
800B	Impeller Capscrew B6ZRL(S)	S23619
800B	Impeller Capscrew B6ZRH(S)	S23631
801A	3/8-16 x 1-1/2" Lg. Stud (8 Req.)	S23995
802A	3/8-16 Hex Nut (8 Req.)	S23103
805	Impeller Lock Washer	S23083
810B	1/2" NPT Square Hd. Pipe Plug (3 Req.)	S23717
811A	Grease Fitting (2 Req.)	S23700
816B	External Retaining Ring	S23016

B6ZR Common Parts Groups Repair Parts List

Refer to following page for model specific
repair parts listing.

Packing Components

Item	Part Description	Part Number
13	Packing Ring Set	S13435
17	Split Packing Gland Set	B82470
29	Lantern Ring	S19200
115B	Packing Housing	M12334
801B	3/8-16NC x 2-1/2" Lg Stud (2 Req.)	S04438
802B	3/8-16 Hex Nut (2 Req.)	S23343
811B	1/8 MPT x 90° Grease Fitting	S23702

Seal Components

Item	Part Description	Part Number
89	1-3/4" Mechanical Shaft Seal	S32015
115A	Mechanical Seal Housing	M12333
810A	1/8" NPT Sq. Hd. Pipe Plug	S23714
816A	External Retaining Ring	S16767

NOTE 1: Also accepts gasket S05126 as replacement for o-ring.
See *Supplement E* located at the beginning of this section.