



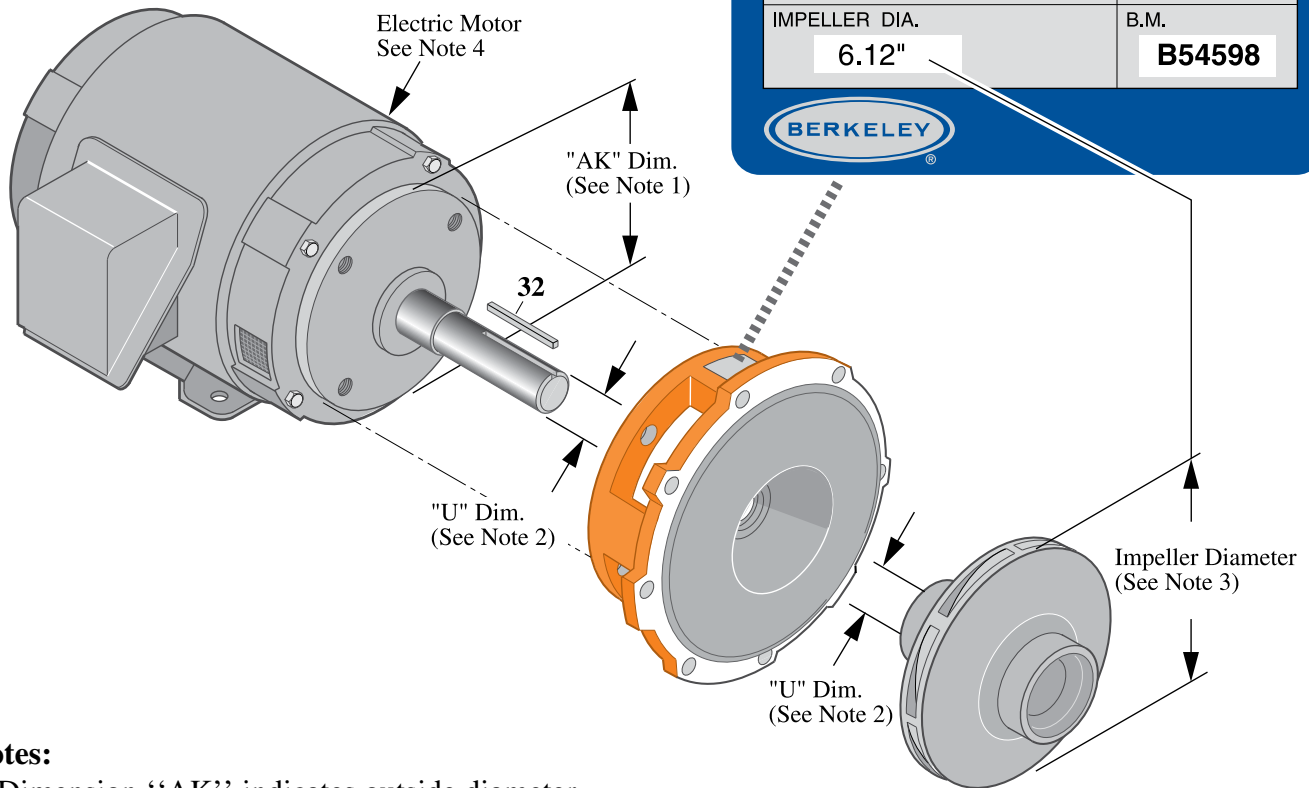
# Type "B" Single Stage Centrifugal Pump Electric Motor Drive

Section	CC
Page	Supplement A
Date	July 1, 2011
Supersedes 1/1/04	

## Mechanical Shaft Seal Construction Packing Construction

SAMPLE ONLY

BERKELEY PUMPS	
MODEL B3TPMS	S.N. OR DATE G123094
IMPELLER DIA. 6.12"	B.M. B54598



### Notes:

1. Dimension "AK" indicates outside diameter of male register fit on end of motor and is used in conjunction with motor frame size and motor bracket fit. Refer to TABLE II on parts sheets.
2. Dimension "U" indicates motor shaft diameter and nominal impeller shaft bore.
3. Impeller diameter shown in TABLE I of the parts sheets is the current catalog standard for each model and horsepower. When ordering impeller, specify diameter that is indicated on nameplate as shown above.
4. Electric motors are available for replacement, consult factory for information and availability.  
**NOTE:** Shaft sleeve (Item 14) must be ordered with replacement motor, refer to individual parts listings for sleeve requirements.

### Parts Ordering Information

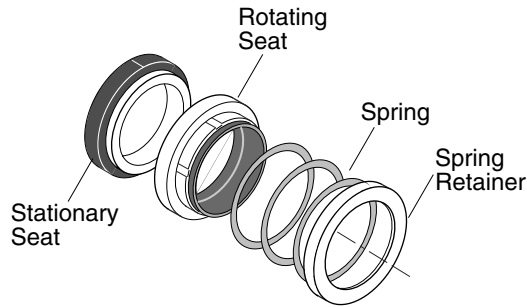
The diagrams and parts lists given on the following pages depict a typical pump configuration. It is most important that before calling in for repair instructions, or when ordering replacement parts, locate the Berkeley nameplate on the pump. It is affixed to the motor bracket, as shown here. Provide all nameplate data, especially the S.N OR DATE number and the B.M. (Bill of Material) number to ensure receiving correct parts.



# TYPE "B" SINGLE STAGE CENTRIFUGAL PUMP Electric Motor Drive

Section	CC
Supplement	B
Date	January 1, 2004
Supersedes 6/1/95	

## MECHANICAL SEAL CONSTRUCTION

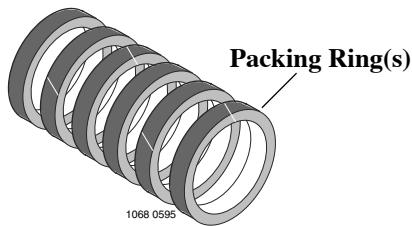


**Typical Mechanical Seal**

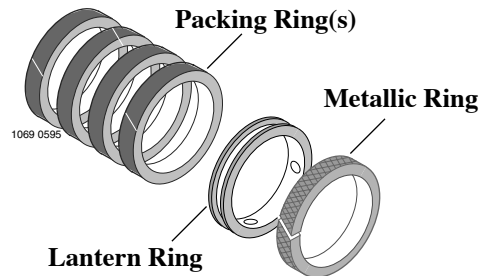
### Standard Mechanical Seal/ Shaft Sleeve Combinations

SEAL		SLEEVE	
P/N	Description	P/N	Description
S32013	1-1/4" Type 21 Long	S00619	1" I.D. x 1-1/4" O.D.
S32014	1-1/4" Type 21 Short	S19310	1" I.D. x 1-1/4" O.D.
S32015	1-3/4" Type 21 Short	S18869	1-3/8" I.D. x 1-3/4" O.D.
M10227	1-3/4" Type 2	S18869	1-3/8" I.D. x 1-3/4" O.D.
S32016	2-1/8" Type 21 Long	S07073	1-3/4" I.D. x 2-1/8" O.D.
S39264	2-1/8" Type 21 Short	M09669	1-3/4" I.D. x 2-1/8" O.D.
S32697	2-3/4" Type 21	S29517	2-1/4" I.D. x 2-3/4" O.D.

## PACKING CONSTRUCTION



**Typical Packing Set - Soft Rings Only**



**Typical Packing Set With Soft Rings,  
Lantern Ring, and Hard (Metallic) Ring**

### Standard Packing Sets Shown on Repair Parts Sheets

Packing Set P/N	No. of Soft Rings	Metallic Ring	Ring I.D.	Ring O.D.	Cross Section
S14109	5	None	1-1/4"	1-7/8"	5/16"
S13469	6	None	1-1/4"	1-7/8"	5/16"
S15094	7	None	1-1/4"	1-7/8"	5/16"
S13435	4	S11092	1-3/4"	2-1/2"	3/8"
S13470	6	None	1-3/4"	2-1/2"	3/8"
S13437	4	S11093	2-1/8"	2-7/8"	3/8"
S13444	5	S11093	2-1/8"	2-7/8"	3/8"
S16448	5	S14327	2-3/4"	3-3/4"	1/2"

**NOTE:** Part numbers given on repair parts sheets for packing rings reflects complete set of soft rings required for each model. Some models also require a hard (metallic) ring that is installed as shown above. Hard ring comes as part of the set, when required, and is in *addition* to the soft ring count shown (set of 5, set of 6, etc.). Metallic part number shown for reference only. Lantern Ring (item #29) is sold separately.



# TYPE "B" SINGLE STAGE CENTRIFUGAL PUMP Electric Motor Drive

Section	CC
Supplement	C1
Date	January 1, 2004
Supersedes 6/1/95	

## COMPANION FLANGE KITS

**3" NPT x 7-1/2" O.D.**

Key	Part Description	Part No.
73	Gasket	S10364
800	Capscrew, 5/8 - 11 x 2-1/2" (4 Req.)	S27004
802	Nut, Hex 5/8 - 11 (4 Req.)	S23109
850	Flange, Companion, 125 lb.	S11788

**B60129**

**4" NPT x 9" O.D.**

Key	Part Description	Part No.
73	Gasket	S10366
800	Capscrew, 5/8 - 11 x 2-1/2" (8 Req.)	S27005
802	Nut, Hex 5/8 - 11 (8 Req.)	S23109
850	Flange, Companion, 125 lb.	S11790

**B59870**

**4" NPT x 9" O.D.**

Key	Part Description	Part No.
73	Gasket	S10366
800	Capscrew, 5/8 - 11 x 1-3/4" (8 Req.)	S27001
850	Flange, Companion, 125 lb.	S11790

**B74303**

**5" NPT x 10" O.D.**

Key	Part Description	Part No.
73	Gasket	S10367
800	Capscrew, 3/4 - 10 x 3" (8 Req.)	S27333
802	Nut, Hex 3/4 - 10 (8 Req.)	S23111
850	Flange, Companion, 125 lb.	S11791

**B59871**

**6" NPT x 11" O.D.**

Key	Part Description	Part No.
73	Gasket	S10368
800	Capscrew, 3/4 - 10 x 3" (8 Req.)	S27333
802	Nut, Hex 3/4 - 10 (8 Req.)	S23111
850	Flange, Companion, 125 lb.	S11792

**B59872**



# TYPE "B" SINGLE STAGE CENTRIFUGAL PUMP Electric Motor Drive

Section	CC
Supplement	C2
Date	January 1, 2004
Supersedes 6/1/95	

## COMPANION FLANGE KITS

**8" NPT x 13-1/2" O.D.**

Key	Part Description	Part No.
73	Gasket	S10369
800	Capscrew, 3/4 - 10 x 2-3/4" (8 Req.)	S27332
802	Nut, Hex 3/4 - 10 (8 Req.)	S23111
850	Flange, Companion, 125 lb.	S11793

**B59873**

**10" NPT x 16" O.D.**

Key	Part Description	Part No.
73	Gasket	S10370
800	Capscrew, 7/8 - 9 x 3" (12 Req.)	S23307
802	Nut, Hex 7/8 - 9 (12 Req.)	S23113
850	Flange, Companion, 125 lb.	S11794

**B59874**

**5" NPT x 10" O.D.**

Key	Part Description	Part No.
73	Gasket	S10367
800	Capscrew, 3/4 - 10 x 1-3/4" (8 Req.)	S27327
850	Flange, Companion, 125 lb.	S11791

**B59875**

**6" NPT x 10" O.D.**

Key	Part Description	Part No.
73	Gasket	S10367
800	Capscrew, 3/4 - 10 x 2-1/4" (8 Req.)	S27330
850	Flange, Companion, 125 lb.	S02178

**B59876**

**6" NPT x 11" O.D.**

Key	Part Description	Part No.
73	Gasket	S10368
800	Capscrew, 3/4 - 10 x 2" (8 Req.)	S27329
850	Flange, Companion, 125 lb.	S11792

**B59877**

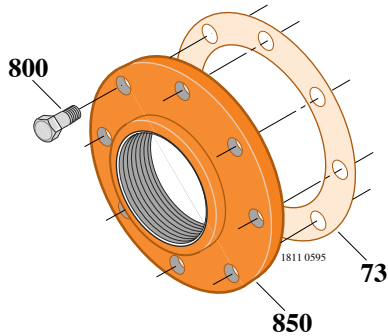


# TYPE "B" SINGLE STAGE CENTRIFUGAL PUMP Electric Motor Drive

Section	CC
Supplement	C3
Date	January 1, 2004
Supersedes 6/1/95	

## COMPANION FLANGE KITS

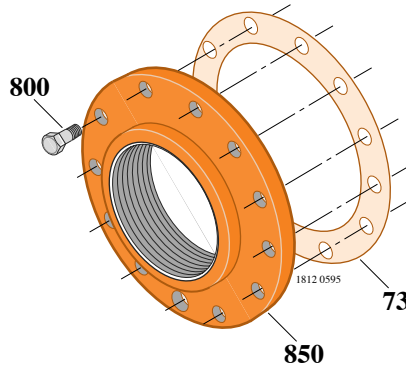
### 8" NPT x 13-1/2" O.D.



Key	Part Description	Part No.
73	Gasket	S10369
800	Capscrew, 3/4 - 10 x 2" (8 Req.)	S27329
850	Flange, Companion, 125 lb.	S11793

**B59878**

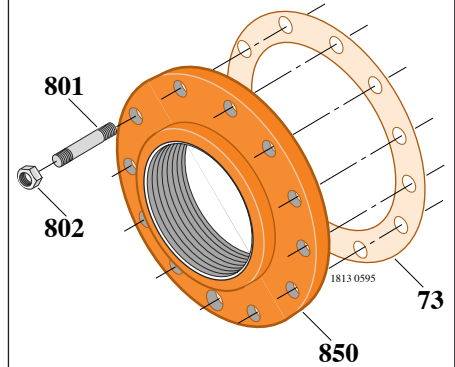
### 10" NPT x 16" O.D.



Key	Part Description	Part No.
73	Gasket	S10370
800	Capscrew, 7/8 - 9 x 2" (12 Req.)	S23303
850	Flange, Companion, 125 lb.	S11794

**B59879**

### 12" NPT x 19" O.D.



Key	Part Description	Part No.
73	Gasket	S10371
800	Capscrew, 7/8 - 9 x 3" (12 Req.)	S23307
802	Nut, Hex 7/8 - 9 (12 Req.)	S23113
850	Flange, Companion, 125 lb.	S11795

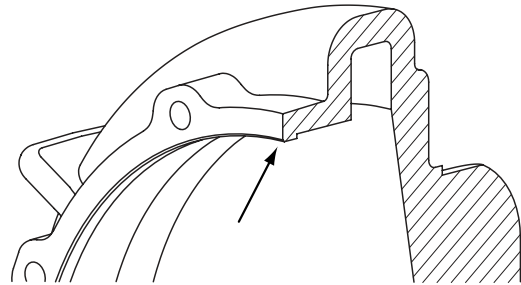
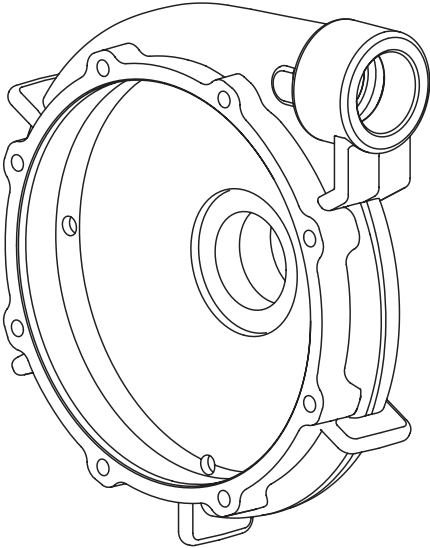
**B59880**



# Type "B" Single Stage Centrifugal Pump Electric Motor Drive

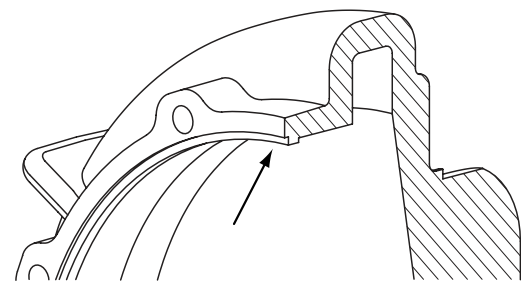
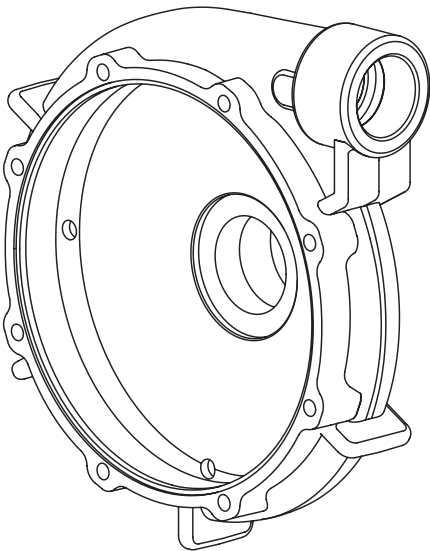
Section	CC
Page	Supplement E
Date	July 1, 2011
Supersedes 1/1/04	

## Volute Sealing: Gasket Only



**Style 1:** There is a small chamfer along the back face of the volute, but no circumferential o-ring groove. This volute can ONLY be sealed with a gasket.

## Volute Sealing: O-ring or Gasket



**Style 2:** O-ring groove machined into back face of volute. This volute can be sealed with a gasket or with an o-ring.