
Single Phase

Sump, Effluent and Sewage

INSTALLATION, OPERATION AND MAINTENANCE INSTRUCTIONS

Table of Contents

SUBJECT	PAGE
Safety Instructions.....	3
Pre-Installation Checks.....	3
Lifting of Pump.....	3
Optional Guide Rail or Lift-Out System.....	3
Piping.....	4
Wiring and Grounding.....	4
Selecting and Wiring Pump Control Panels and Switches.....	4-5
Installation.....	5
Operation.....	5-6
Float Switch and Panel Chart.....	6
Engineering Data.....	7
Insulation Resistance Readings.....	8
Typical Installations and Simplex Wiring Diagrams.....	8-9
Trouble Shooting.....	10
Limited Warranty.....	11

Owner's Information

Pump Model Number: _____

Pump Serial Number: _____

Control Model Number: _____

Dealer: _____

Dealer Phone No. _____

Date of Purchase: _____ Installation: _____

Current Readings at Startup:

1Ø

Amps: _____

Volts: _____

SAFETY INSTRUCTIONS

TO AVOID SERIOUS OR FATAL PERSONAL INJURY OR MAJOR PROPERTY DAMAGE, READ AND FOLLOW ALL SAFETY INSTRUCTIONS IN MANUAL AND ON PUMP.

THIS MANUAL IS INTENDED TO ASSIST IN THE INSTALLATION AND OPERATION OF THIS UNIT AND MUST BE KEPT WITH THE PUMP.



This is a **SAFETY ALERT SYMBOL**. When you see this symbol on the pump or in the manual, look for one of the following signal words and be alert to the potential for personal injury or property damage.



DANGER Warns of hazards that **WILL** cause serious personal injury, death or major property damage.



WARNING Warns of hazards that **CAN** cause serious personal injury, death or major property damage.



CAUTION Warns of hazards that **CAN** cause personal injury or property damage.

NOTICE: INDICATES SPECIAL INSTRUCTIONS WHICH ARE VERY IMPORTANT AND MUST BE FOLLOWED.

THOROUGHLY REVIEW ALL INSTRUCTIONS AND WARNINGS PRIOR TO PERFORMING ANY WORK ON THIS PUMP.

MAINTAIN ALL SAFETY DECALS.



All electrical work must be performed by a qualified technician. Always follow the National Electrical Code (NEC), or the Canadian Electrical Code, as well as all local, state and provincial codes. Code questions should be directed to your local electrical inspector. Failure to follow electrical codes and OSHA safety standards may result in personal injury or equipment damage. Failure to follow manufacturer's installation instructions may result in electrical shock, fire hazard, personal injury or death, damaged equipment, provide unsatisfactory performance, and may void manufacturer's warranty.



Standard units are not designed for use in swimming pools, open bodies of water, hazardous liquids, or where flammable gases exist. These fluids and gases may be present in containment areas. Tank or wetwell must be vented per local codes.

Only pumps specifically Listed for Class 1, Division 1 are allowable in hazardous liquids and where flammable gases may exist. *See specific pump catalog bulletins or pump nameplate for all agency Listings.*



Disconnect and lockout electrical power before installing or servicing any electrical equipment. Many pumps are equipped with automatic thermal overload protection which may allow an overheated pump to restart unexpectedly.

PRE-INSTALLATION CHECKS

Open all cartons and inspect for shipping damage. Report any damage to your supplier or shipping carrier immediately.

Important: Always verify that the pump nameplate Amps, Voltage, Phase, and HP ratings match your control panel and power supply.

Many of our sewage pumps are oil-filled. If there are any signs of oil leakage or if the unit has been stored for an extended period check the oil level in the motor dome and the seal housing, if so equipped.

Check the motor cover oil level through the pipe plug on top of the unit. The motor chamber oil should just cover the motor. Do not overfill, leave room for expansion!

If low, refill with an ASTM 150 turbine oil. Replace the plug.

Oil is available in 5 gallon cans through our distributors. You can also source oil locally at motor repair shops. Typical oil brands are: Shell Turbo 32, Sunoco Sunvis 932, Texaco Regal R&O 32, Exxon Nuto 32 and Mobil DTE Light.

Check the strain relief nut on power cable strain assemblies. Power cables should be torqued to 75 in. lbs. for #16 cables and 80 in. lbs. for all other cable assemblies.

Warranty does not cover damage caused by connecting pumps and controls to an incorrect power source (voltage/phase supply).

Record the model numbers and serial numbers from the pumps and control panel on the front of this instruction manual for future reference. Give it to the owner or affix it to the control panel when finished with the installation.

LIFTING OF PUMP



Hazardous voltage can shock, burn or cause death.

DO NOT LIFT, CARRY OR HANG PUMP BY THE ELECTRICAL CABLES. DAMAGE TO THE ELECTRICAL CABLES CAN CAUSE SHOCK, BURNS OR DEATH.

Lift the pump with an adequately sized chain or cable attached to the lifting eye bolt. **DO NOT** damage electrical and sensor cables while raising and lowering unit.

OPTIONAL GUIDE RAIL OR LIFT-OUT SYSTEM

In many effluent and sewage basins or lift stations it is advisable to install the pump on a guide rail system or on a lift-out adapter to facilitate installation and removal for inspection and/or service. Most codes do not allow personnel to enter a wetwell without the correct protective equipment and training. Guide rails are designed to allow easy removal of the pump without the need for entry into the wetwell or need to disturb piping. The guide rail or lift-out adapter should locate the pump opposite the influent opening preventing stagnate areas where solids can settle. The basin or pit must be capable of supporting the weight of the pump and guide rail. The pit floor must be flat.

NOTICE: FOLLOW THE INSTRUCTIONS THAT ARE PROVIDED WITH THE GUIDE RAIL ASSEMBLY.

PIPING

Discharge piping should be no smaller than the pump discharge diameter and kept as short as possible, avoiding unnecessary fittings to minimize friction losses.

Install an adequately sized check valve matched to the solids handling capability of the pump to prevent fluid backflow. Backflow can allow the pump to “turbine” backwards and may cause premature seal and/or bearing wear. If the pump is turning backwards when it is called on to start the increased torque may cause damage to the pump motor and/or motor shaft and some single-phase pumps may actually run backwards.

Install an adequately sized gate valve **AFTER** the check valve for pump, plumbing and check valve maintenance.







Important – Before pump installation. If pumping water, drill a 1/8” (3.2mm) relief hole. If pumping waste water containing solids, drill a 3/16” (4.8mm) relief hole in the discharge pipe. It should be located within the wetwell, 2” (51mm) above the pump discharge but below the check valve. The relief hole allows any air to escape from the casing. Allowing liquid into the casing will insure that the pump can start when the liquid level rises. Unless a relief hole is provided, a bottom intake pump could “air lock” and will not pump water even though the impeller turns.


All piping must be adequately supported, so as not to impart any piping strain or loads on the pump.


The pit access cover must be of sufficient size to allow for inspection, maintenance and crane or hoist service.


WIRING AND GROUNDING

Important notice: Read Safety Instructions before proceeding with any wiring.

-  Use only stranded copper wire to pump/motor and ground. The ground wire must be at least as large as the power supply wires. Wires should be color coded for ease of maintenance and troubleshooting.
-  Install wire and ground according to the National Electrical Code (NEC), or the Canadian Electrical Code, as well as all local, state and provincial codes.
-  Install an all leg disconnect switch where required by code.
-  Disconnect and lockout electrical power before performing any service or installation.
-  The electrical supply voltage and phase must match all equipment requirements. Incorrect voltage or phase can cause fire, motor and control damage, and voids the warranty.
-  All splices must be waterproof. If using splice kits follow manufacturer’s instructions.

 **WARNING** Select the correct type and NEMA grade junction box for the application and location. The junction box must insure dry, safe wiring connections.

 **WARNING** Seal all controls from gases present which may damage electrical components.

 **WARNING**
Hazardous voltage
FAILURE TO PERMANENTLY GROUND THE PUMP, MOTOR AND CONTROLS BEFORE CONNECTING TO POWER CAN CAUSE SHOCK, BURNS OR DEATH.

SELECTING AND WIRING PUMP CONTROL PANELS AND SWITCHES

FLOAT SWITCH TYPES

There are three types of float switches typically used on single phase pumps; single action, vertical and wide angle.

Single action control switches can only be connected through a control panel. Connecting them directly to a pump will cause rapid cycling and may burn up the motor, and/or the motor start switch and/or the float switch. If using single action switches with a control panel please see the *Float Switch and Panel Section*.

Vertical mechanical float switches with piggyback plugs are available for single phase pumps. They are an ideal choice where there is limited space for a switch. They require less room than a wide angle switch because they travel in a vertical direction. Typical model numbers start with A2H...

Wide angle float switches are the most popular type. They can be directly connected to a pump or to a control panel. The “tether length” or the distance from the switch body to the pivot point controls the On and Off points and the amount pumped in one cycle. The pivot point is where the float is attached either to the pump or the discharge pipe. See *Figures 1 - 5*.

SETTING THE FLOAT SWITCHES

There are no absolute rules for where to set the float switches, it varies from job to job.

Suggested Rules to Follow:

All floats should be set below the Inlet pipe!

Off Float: Best: set so the water level is always above the top of the pump (motor dome). **Next Best:** set so the water level is not more than 6” below the top of the pump.

On Float: set so the volume of water between the On and Off floats allows pumps of 1½ HP and under to operate for 1 minute minimum. Two (2) HP and larger pumps should run a minimum of 2 minutes. Basin literature states the gallons of storage per inch of basin height.

Lag/Alarm Float(s): should be staggered above the Off and On floats. Try to use most of the available storage provided by the basin, save some space for reserve storage capacity. See *Diagrams and Charts in Float Switch Chart Section*.

PANEL WIRING DIAGRAMS

Our control panels are shipped with instructions and wiring diagrams. Use those instructions in conjunction with this IOM. Electrical installation should be performed only by qualified technicians. Any problem or questions pertaining to another brand control must be referred to that control supplier or manufacturer. Our technical people have no technical schematics or trouble shooting information for other companies’ controls.

ALARMS

We recommend the installation of an alarm on all Waste-water pump installations. Many standard control panels come equipped with alarm circuits. If a control panel is not used, a stand alone high liquid level alarm is available. The alarm alerts the owner of a high liquid level in the system so they can contact the appropriate service personnel to investigate the situation.

SINGLE PHASE PUMPS

Single phase (1Ø) pumps may be operated using a piggyback or hard wired float switch, a contactor, or a Simplex or Duplex control panel. See Figures 1, 2 and 5.

All 1/3 and 1/2 HP, 115 or 230 volt pumps, and some 3/4 and 1 HP pumps, are supplied with plug style power cords. They may be plugged into piggyback float switches for simple installations. It is allowable to remove the plugs in order to hardwire or connect to a Simplex or Duplex controller. Removing the plug neither voids the warranty nor violates the agency Listings. See Figure 5.



PLUG-CONNECTED UNITS MUST BE CONNECTED TO A PROPERLY GROUNDED, GROUNDING TYPE RECEPTACLE.

ON NON-PLUG UNITS, DO NOT REMOVE CORD AND STRAIN RELIEF. DO NOT CONNECT CONDUIT TO PUMP.

Pumps with bare lead power cords can be hard-wired to a float switch, wired to a 1Ø contactor, a Simplex controller or a Duplex controller. Always verify that the float switch is rated for the maximum run amperage, maximum starting amperage, and the HP rating on the pump. Single-phase waste water pumps contain on-winding overloads, unless noted on the pump nameplate. See Figures 1 and 2.

SINGLE PHASE CONTROL PANELS:

Control panels are available as Simplex (controls 1 pump) or Duplex (controls 2 pumps). Our standard control panels are available with many standard features and can be built with our most popular options. We also custom build panels which offer many more design options than the standard panels. Custom control panels are available in many different configurations. Custom panel quote requests may be forwarded to Customer Service through any authorized distributor.

Our standard duplex panels feature a solid-state printed circuit board design with standard high level alarm circuits. Other standard features are: an auxiliary dry alarm contact for signaling a remote alarm and float switch position indicator lights. Most standard panels are in stock for immediate delivery.

INSTALLATION

STANDARD PUMP INSTALLATION

Connect the pump(s) to the guide rail pump adapters or to the discharge piping. Guide rail bases should be anchored to the wetwell floor.

Complete all wiring per the control panel wiring diagrams and NEC, Canadian, state, provincial and/or local codes.



DO NOT PLACE HANDS IN PUMP SUCTION WHILE CHECKING MOTOR ROTATION. TO DO SO WILL CAUSE SEVERE PERSONAL INJURY.

Lower the pump(s) into the wetwell.

Check to insure that the floats will operate freely and will not contact the piping.

PRE-PACKAGED SYSTEM INSTALLATION

Connect the piping per local codes and the drawings in Typical Drawings Section.

Sink Drain Systems – Inspect unit for damage. Return damaged units to the distributor. Install on solid, level ground. Hand tighten the piping into the Inlet. Connect the Discharge to the main drain line. The discharge should contain a union and a check valve. See Typical Installation Drawing 2.

Packaged Sewage Systems – Inspect unit for damage. Return damaged units to the distributor. Install on solid, level ground. Remove all tape from discharge pipe, vent hole, float switch and inlet. Check to insure that the float swings freely and is attached to the pump. Install the grommet in the inlet hole and lubricate it before installing the inlet pipe. Connect the vent per code. If installing outdoors protect the unit from freezing. Install a union and check valve per valve manufacturer's instructions. Install a gate valve on the discharge side of the check valve for plumbing maintenance. See Typical Installation Drawing 1.

OPERATION

Once the piping connections are made and checked you can run the pumps.

Piggyback Switch Operation – Plug the piggyback switch into a dedicated grounded outlet and then plug the pump into the switch. Test the pump by filling the wetwell until the pump goes On. If the pumps run but fail to pump, they are probably air locked, drill the relief holes per the instructions in the Piping Section.

Check the operating range to insure a minimum one minute run time and that the pump goes Off in the correct position. **Note:** Small package systems will normally have a fast ON-OFF cycle.

Control Panel Operation – Fill the wetwell with clear water.

Use the pump H-O-A (Hand-Off-Automatic) switches in Hand to test the pumps. If they operate well in Hand proceed to test Automatic operation. If the pumps run but fail to pump, they are probably air locked, drill the relief holes per the instructions in the Piping Section.

Place Control Panel switch(es) in Automatic position and thoroughly test the operation of the ON, OFF, and Alarm floats by filling the wetwell with clear water. **Important:** Failure to provide a Neutral from the power supply to a 1Ø, 230 volt Control Panel will not allow the panel control circuit to operate. The Neutral is necessary to complete the 115 volt control circuit.

Check voltage and amperage and record the data on the front of this manual for future reference. Compare the amperage readings to the pump nameplate maximum amperage. If higher than nameplate amperage investigate cause. Operating the pump off the curve, i.e. with too little head or with high or low voltage will increase amperage. The motor will operate properly with voltage not more than 10% above or below pump nameplate ratings. Performance within this range will not necessarily be the same as the published performance at the exact rated nameplate frequency and voltage. Correct the problem before proceeding.

Reset the Alarm circuit, place pump switch(es) in the Automatic position and Control Switch in ON position. The system is now ready for automatic operation.

Explain the operation of the pumps, controls and alarms to the end user. Leave the paperwork with the owner or at the control panel if in a dry, secure location.

FLOAT SWITCH AND PANEL CHART

The purpose of this chart is to show the required switch quantities and the function of each switch in a typical wastewater system. The quantities required vary depending on the switch type, single-action or wide-angle. Switch quantities also vary by panel type: simplex with and without alarms, and duplex with alarms.

Duplex Panels using single-action switches:

Three Float Panel Wiring

SW1	Bottom	Pumps Off
SW2	Middle	1st Pump On
SW3	Top	2nd Pump & Alarm On

Four Float Panel Wiring ②

SW1	Bottom	Pumps Off
SW2	2nd	1st Pump On
SW3	3rd	2nd Pump On
SW4	Top	Alarm On

Duplex Panels using wide-angle switches:

Three Float Panel Wiring

SW1	Bottom	1st Pump On/Both Off
SW2	Top	2nd Pump & Alarm On

Four Float Panel Wiring

SW1	Bottom	1st Pump On/Both Off
SW2	Middle	2nd Pump On
SW3	Top	Alarm On

Simplex Panel using single-action switches:

Simplex Panel with Alarm ①

SW1	Bottom	Pump Off
SW2	Middle	Pump On
SW3	Top	Alarm On/Off

Simplex Panel with No Alarm

SW1	Bottom	Pump Off
SW2	Top	Pump On

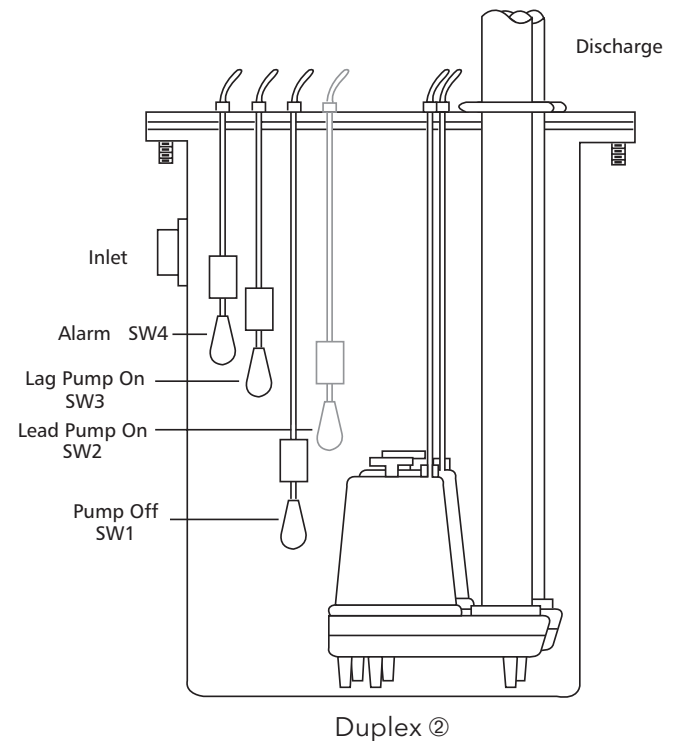
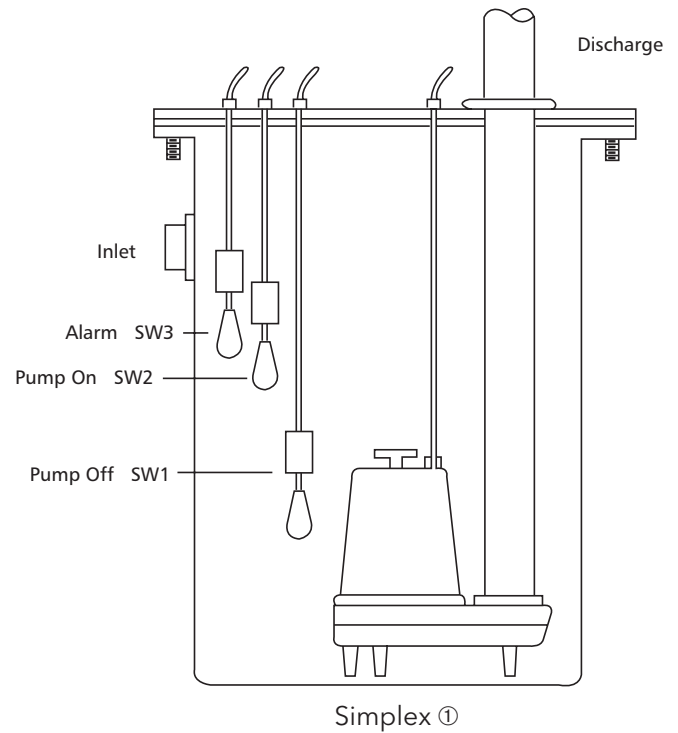
Simplex Panel using wide-angle switches:

Simplex Panel with Alarm

SW1	Bottom	Pump On/Off
SW2	Top	Alarm On/Off

Simplex Panel with No Alarm

SW1	Pump On/Off
-----	-------------



ENGINEERING DATA

Engineering data for specific models may be found in your catalog and on our website (address is on the cover).

Control panel wiring diagrams are shipped with the control panels. Please use the control panel drawings in conjunction with this instruction manual to complete the wiring.

PUMP OPERATION	
Minimum Submergence	
Continuous Duty	Fully Submerged
Intermittent Duty	6" Below Top of Motor
Maximum Fluid Temperature	
Continuous Operation	104° F 40° C
Intermittent Operation	140° F 60° C

Pumpmaster and Pumpmaster Plus - Hard Wired

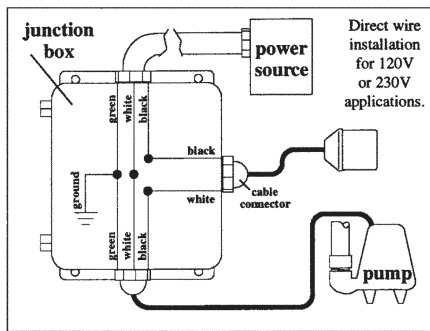


Figure 1

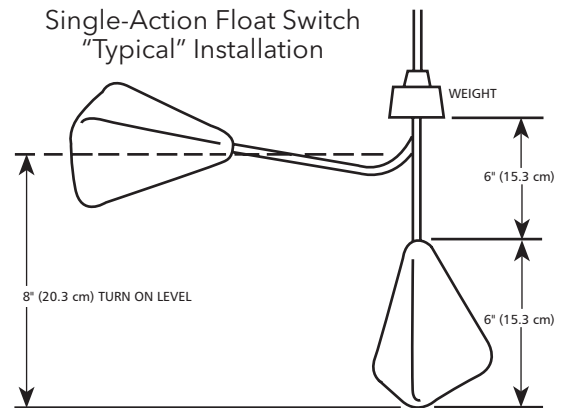


Figure 4

Double Float - Hard Wired

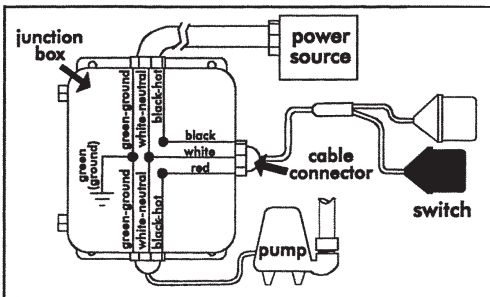


Figure 2

Wide-Angle Float Switch

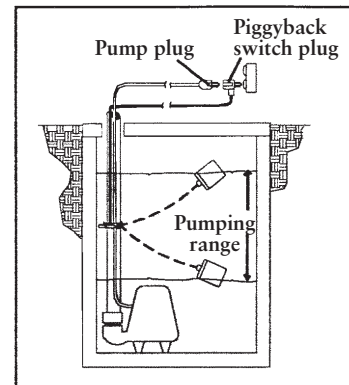


Figure 5

Determining Pumping Range

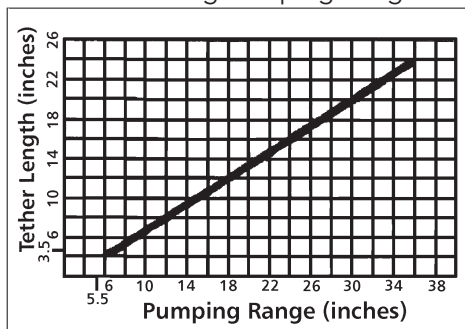


Figure 3

INSULATION RESISTANCE READINGS

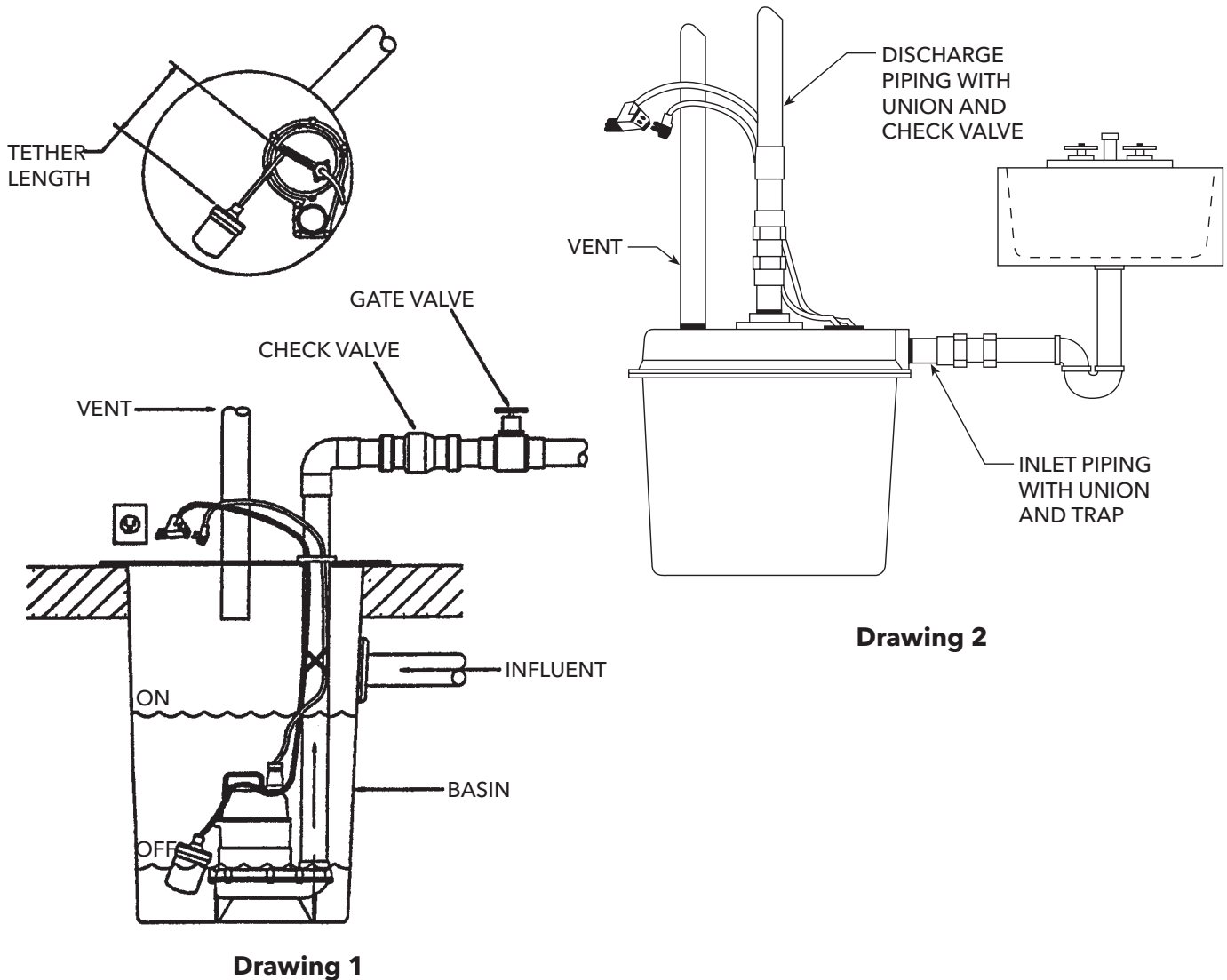
Normal Ohm and Megohm Values between all leads and ground

Condition of Motor and Leads	Ohm Value	Megohm Value
A new motor (without drop cable).	20,000,000 (or more)	20 (or more)
A used motor which can be reinstalled in well.	10,000,000 (or more)	10 (or more)
Motor in well. Readings are for drop cable plus motor.		
New motor.	2,000,000 (or more)	2 (or more)
Motor in good condition.	500,000 - 2,000,000	.5 - 2
Insulation damage, locate and repair.	Less than 500,000	Less than .5

Insulation resistance varies very little with rating. Motors of all HP, voltage and phase ratings have similar values of insulation resistance.

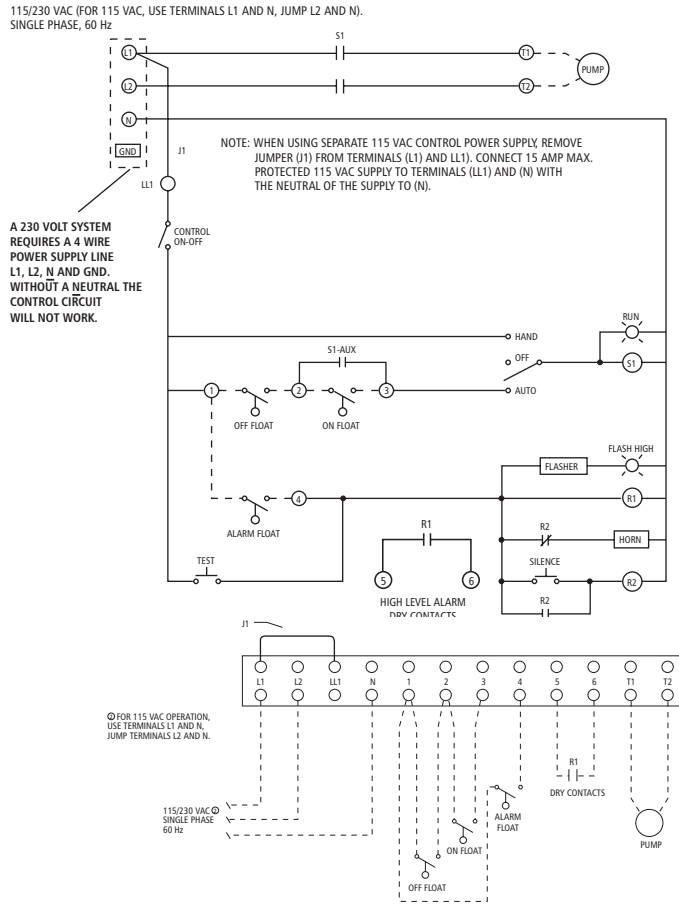
Insulation resistance values above are based on readings taken with a megohmmeter with a 500V DC output. Readings may vary using a lower voltage ohmmeter, consult factory if readings are in question.

TYPICAL INSTALLATIONS

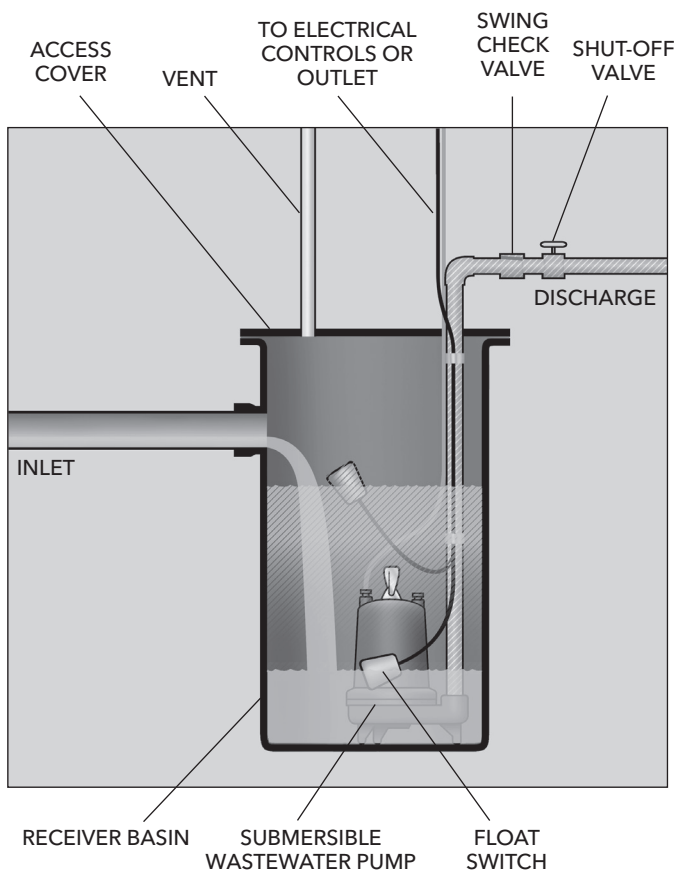


TYPICAL INSTALLATIONS (continued)

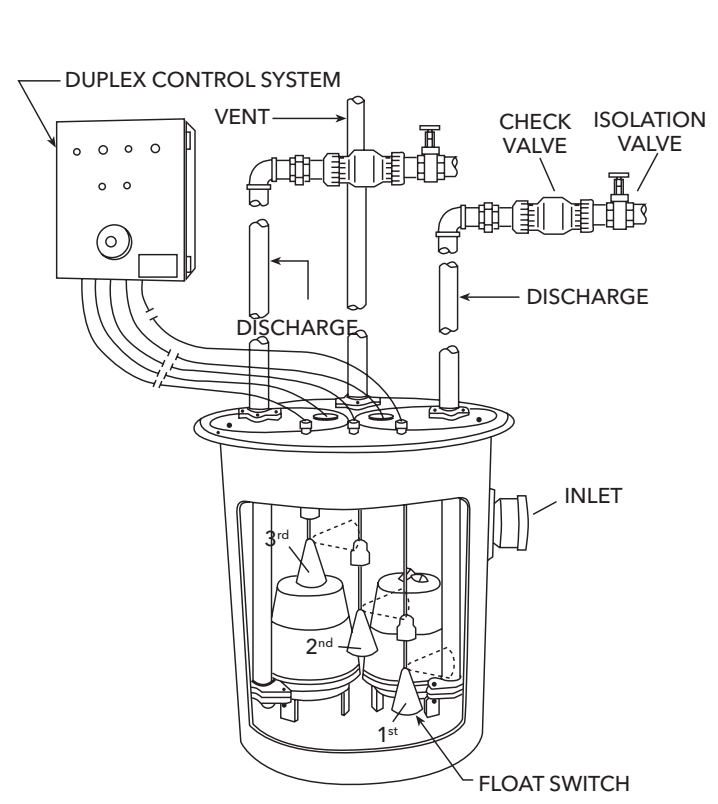
Simplex Single Phase Wiring Diagram S10020



Typical Simplex Installation



Typical Duplex Installation



TROUBLESHOOTING



FAILURE TO DISCONNECT AND LOCKOUT ELECTRICAL POWER BEFORE ATTEMPTING ANY SERVICE CAN CAUSE SHOCK, BURNS OR DEATH.

SYMPTOM	PROBABLE CAUSE	RECOMMENDED ACTION
MOTOR NOT RUNNING NOTE: If circuit breaker "OPENS" repeatedly, DO NOT reset. Call qualified electrician. a) Manual operation	Motor thermal protector tripped.	Allow motor to cool. Insure minimum pump submergence. Clear debris from casing and impeller.
	Open circuit breaker or blown fuse. Pump impeller binding or jammed. Power cable is damaged. Inadequate electrical connection in control panel.	Determine cause, call a qualified electrician. Check motor amp draw. If two or more times higher than listed on pump nameplate, impeller is locked, motor bearings or shaft is damaged. Clear debris from casing and impeller, consult with dealer.
b) Automatic operation NOTE: Check the pump in manual mode first to confirm operation. If pump operates, the automatic control or wiring is at fault. If pump does not operate, see above.	No neutral wire connected to control panel. Inadequate electrical connection in control panel.	Resistance between power leads and ground should read infinity. If any reading is incorrect, call a qualified electrician. Inspect control panel wiring. Call a qualified electrician.
	Defective liquid level switch. Insufficient liquid level to Liquid level cords tangled.	With switch disconnected, check continuity while activating liquid level switch. Replace switch, as required. Allow liquid level to rise 3" to 4" (76 mm - 101 mm) activate controls. above turn-on level. Untangle cords and insure free operation.
PUMP WILL NOT TURN OFF	Liquid level cords tangled.	Untangle cords and insure free operation.
	Pump is air locked.	Shut off pump for approximately one minute, then restart. Repeat until air lock clears. If air locking persists in a system with a check valve, a $\frac{3}{16}$ " (4.8 mm) hole may be drilled in the discharge pipe approximately 2" (51 mm) above the discharge connection.
	Influent flow is matching pump's discharge capacity.	Larger pump may be required.
LITTLE OR NO LIQUID DELIVERED BY PUMP	Check valve installed backwards, plugged or stuck closed.	Check flow arrow on valve and check valve operation.
	Excessive system head.	Consult with dealer.
	Pump inlet plugged.	Inspect and clear as required.
	Improper voltage or wired incorrectly.	Check pump rotation, voltage and wiring. Consult with qualified electrician.
	Pump is air locked.	See recommended action, above.
	Impeller is worn or damaged.	Inspect impeller, replace as required.
PUMP CYCLES CONSTANTLY	Liquid level controls defective or improperly positioned.	Inspect, readjust or replace as required.
	Discharge check valve inoperative.	Inspect, repair or replace as required.
	Sewage containment area too small.	Consult with dealer.
	Influent excessive for this size pump.	Consult with dealer.

GOULDS WATER TECHNOLOGY LIMITED WARRANTY

This warranty applies to all water systems pumps manufactured by Goulds Water Technology.

Any part or parts found to be defective within the warranty period shall be replaced at no charge to the dealer during the warranty period. The warranty period shall exist for a period of twelve (12) months from date of installation or eighteen (18) months from date of manufacture, whichever period is shorter.

A dealer who believes that a warranty claim exists must contact the authorized Goulds Water Technology distributor from whom the pump was purchased and furnish complete details regarding the claim. The distributor is authorized to adjust any warranty claims utilizing the Goulds Water Technology Customer Service Department.

The warranty excludes:

- (a) Labor, transportation and related costs incurred by the dealer;
- (b) Reinstallation costs of repaired equipment;
- (c) Reinstallation costs of replacement equipment;
- (d) Consequential damages of any kind; and,
- (e) Reimbursement for loss caused by interruption of service.

For purposes of this warranty, the following terms have these definitions:

- (1) "Distributor" means any individual, partnership, corporation, association, or other legal relationship that stands between Goulds Water Technology and the dealer in purchases, consignments or contracts for sale of the subject pumps.
- (2) "Dealer" means any individual, partnership, corporation, association, or other legal relationship which engages in the business of selling or leasing pumps to customers.
- (3) "Customer" means any entity who buys or leases the subject pumps from a dealer. The "customer" may mean an individual, partnership, corporation, limited liability company, association or other legal entity which may engage in any type of business.

THIS WARRANTY EXTENDS TO THE DEALER ONLY.



Xylem, Inc.
2881 East Bayard Street Ext., Suite A
Seneca Falls, NY 13148
Phone: (866) 325-4210
Fax: (888) 322-5877
www.xylem.com/brands/gouldswatertechnology

Goulds is a registered trademark of Goulds Pumps, Inc. and is used under license.
© 2012 Xylem Inc. IM127 Revision Number 3 July 2012

Bombas Monofásicas

para sumidero, efluente y alcantarillado

INSTRUCCIONES DE INSTALACIÓN, FUNCIONAMIENTO Y MANTENIMIENTO

TEMA	PÁGINA
Instrucciones de seguridad.....	14
Verificaciones preliminares a la instalación.....	14
Levantamiento de la bomba.....	14
Riel corredizo o sistema de levantamiento opcional.....	14
Tuberías.....	15
Alambrado y conexión a tierra	15
Selección y cableado de los interruptores y paneles de control de la bomba	15
Instalación.....	16
Operación	17
Tabla del panel e interruptores de flotador.....	18
Datos de ingeniería.....	19
Lecturas de resistencia de la instalación	20
Instalaciones típicas y diagramas de cableado de la bomba de diseño simple	21
Identificación y resolución de problemas	22
Garantía limitada.....	23

Información del propietario

Número de modelo de la bomba: _____

Número de serie de la bomba: _____

Número de modelo del control: _____

Agente: _____

No. telefónico del agente: _____

Fecha de compra: _____ Instalación: _____

Lecturas actuales en el momento de la puesta en marcha:

1Ø

Amperios: _____

Voltios: _____

INSTRUCCIONES DE SEGURIDAD

PARA EVITAR LESIONES PERSONALES GRAVES O AÚN FATALES Y SERIOS DAÑOS MATERIALES, LEA Y SIGA TODAS LAS INSTRUCCIONES DE SEGURIDAD EN EL MANUAL Y EN LA BOMBA.

ESTE MANUAL HA SIDO CREADO COMO UNA GUÍA PARA LA INSTALACIÓN Y OPERACIÓN DE ESTA UNIDAD Y SE DEBE CONSERVAR JUNTO A LA BOMBA.



Éste es un **SÍMBOLO DE ALERTA DE SEGURIDAD**. Cuando vea este símbolo en la bomba o en el manual, busque una de las siguientes palabras de señal y esté alerta a la probabilidad de lesiones personales o daños materiales.

PELIGRO

Advierte los peligros que **CAUSARÁN** graves lesiones personales, la muerte o daños materiales mayores.

ADVERTENCIA

Advierte los peligros que **PUEDEN** causar graves lesiones personales, la muerte o daños materiales mayores.

PRECAUCIÓN

Advierte los peligros que **PUEDEN** causar lesiones personales o daños materiales.

AVISO: INDICA INSTRUCCIONES ESPECIALES QUE SON MUY IMPORTANTES Y QUE SE DEBEN SEGUIR.

EXAMINE BIEN TODAS LAS INSTRUCCIONES Y ADVERTENCIAS ANTES DE REALIZAR CUALQUIER TRABAJO EN ESTA BOMBA.

MANTENGA TODAS LAS CALCOMANÍAS DE SEGURIDAD.

ADVERTENCIA

Todo el trabajo eléctrico debe ser realizado por un técnico calificado. Siempre siga el Código Eléctrico de EE.UU. (NEC) o el Código Eléctrico Canadiense, además de todos los códigos locales, estatales y provinciales. Las preguntas acerca del código deben ser dirigidas al inspector eléctrico local. Si se hace caso omiso a los códigos eléctricos y normas de seguridad de OSHA, se pueden producir lesiones personales o daños al equipo. Si se hace caso omiso a las instrucciones de instalación del fabricante, se puede producir electrochoque, peligro de incendio, lesiones personales o aún la muerte, daños al equipo, rendimiento insatisfactorio y podría anularse la garantía del fabricante.

ADVERTENCIA

Las unidades estándar no están diseñadas para usarse en albercas, masas abiertas de agua, líquidos peligrosos o donde existan gases inflamables. Estos fluidos y gases podrían estar presentes en áreas de contención. El tanque o pozo debe ser ventilado de acuerdo con los códigos locales.

En lugares con líquidos inflamables o donde pudiese haber gases inflamables sólo deben usarse bombas específicamente clasificadas para áreas de Clase 1, División 1. Consulte los boletines de catálogos de bombas específicas o la placa de identificación de la bomba con respecto a las listas de agencias.

ADVERTENCIA

Desconecte y bloquee la corriente eléctrica antes de instalar o dar servicio a cualquier equipo eléctrico. Muchas bombas están equipadas con protección automática contra la sobrecarga térmica, la

cual podría permitir que una bomba demasiado caliente re arranque inesperadamente.

VERIFICACIONES PRELIMINARES A LA INSTALACIÓN

Abra todas las cajas e inspeccione el equipo para determinar si se ocasionaron daños durante el envío. Notifique cualquier daño a su proveedor o a la compañía de transporte de inmediato.

Importante: Siempre verifique que las clasificaciones de corriente, tensión, fase y potencia en la placa de identificación de la bomba correspondan con las del panel de control y fuente de alimentación.

Muchas de nuestras bombas para alcantarillado están llenas con aceite. Si hay alguna señal de fuga de aceite o si la unidad estuvo almacenada durante largo tiempo, verifique el nivel de aceite en la cúpula del motor y la caja del sello, en caso de haberla.

Verifique el nivel de aceite de la cubierta del motor a través del tapón de la tubería en el extremo superior de la unidad. El aceite en la cámara del motor debe cubrir apenas el motor. ¡No llene en exceso, deje espacio para expansión! Si el nivel está bajo, agregue aceite para turbinas ASTM 150. Reinstale el tapón.

Puede obtenerse aceite en latas de 5 galones de nuestros distribuidores. También puede obtener aceite a nivel local en talleres de reparación de motores. Las marcas típicas de aceite son: Shell Turbo 32, Sunoco Sunvis 932, Texaco Regal R&O 32, Exxon Nuto 32 y Mobil DTE Light.

Inspeccione la tuerca de alivio de tensión en los conjuntos de protección contra tirones de los cables de alimentación. Torsión de los cables de alimentación: 75 pulg.-lbs. para cables #16 y 80 pulg.-lbs. para todos los otros tipos de cable.

La garantía no cubre daños causados por conectar bombas y controles a la fuente de energía incorrecta (fuente de tensión/fase).

Anote los números de modelos y números de serie de las bombas y del panel de control en la sección delantera de este manual de instrucciones para referencia futura. Entregue el manual al propietario o adjúntelo al panel de control una vez finalizada la instalación.

LEVANTAMIENTO DE LA BOMBA

ADVERTENCIA



La tensión peligrosa puede causar electrochoque, quemaduras o la muerte.

NO LEVANTE NI TRANSPORTE NI CUELQUE LA BOMBA DE LOS CABLES ELÉCTRICOS. EL DAÑO A LOS CABLES ELÉCTRICOS PUEDE PRODUCIR ELECTROCHOQUE, QUEMADURAS O AÚN LA MUERTE.

Levante la bomba con una cadena o cable de tamaño adecuado conectado al perno de ojo de levantamiento. **NO** dañe los cables eléctricos o de los sensores al subir y bajar la unidad.

RIEL CORREDIZO O SISTEMA DE LEVANTAMIENTO OPCIONAL

En muchos estanques de efluente y aguas negras o estaciones de levantamiento se recomienda instalar la bomba en un sistema de riel corredizo o sobre un adaptador de

levantamiento para facilitar la instalación y retiro para inspección y/o servicio. La mayoría de los códigos no permite que el personal entre al pozo sin el equipo de protección y la capacitación correctos. Los rieles corredizos están diseñados para facilitar el retiro de la bomba sin necesidad de entrar al pozo o perturbar la tubería. El riel corredizo o el adaptador de levantamiento debe situar la bomba opuesta a la abertura para el líquido de entrada, evitando las áreas estancadas donde pudiesen asentarse sólidos. El estanque o fosa debe ser capaz de soportar el peso de la bomba y del riel de deslizamiento. El piso de la fosa debe ser plano.

AVISO: SIGA LAS INSTRUCCIONES INCLUIDAS CON EL CONJUNTO DEL RIEL CORREDIZO.

TUBERÍAS

La tubería de descarga no debe ser más pequeña que el diámetro de descarga de la bomba y debe mantenerse lo más corta posible, evitando los accesorios innecesarios para reducir al mínimo las pérdidas por fricción.

Instale una válvula de retención de tamaño adecuado que corresponda con la capacidad de manejo de sólidos de la bomba para evitar el contraflujo de fluido. El contraflujo puede hacer que la bomba “gire” en dirección inversa, produciendo un desgaste prematuro del sello y/o del cojinete. Si la bomba gira en sentido inverso al arrancar, el aumento de torsión puede dañar el motor y/o el eje del motor de la bomba y algunas bombas monofásicas hasta podrían funcionar en sentido inverso.

Instale una válvula de compuerta de tamaño adecuado **DESPUÉS** de la válvula de retención para facilitar el mantenimiento de la bomba, las tuberías y la válvula de retención.


Importante – antes de instalar la bomba. Si se va a bombear agua, perforo un orificio de alivio de 1/8 pulg. (3.2 mm). Si se va a bombear agua residual con sólidos, perforo un orificio de alivio de 3/16 pulg. (4.8 mm) en la tubería de descarga. Debe situarse dentro del pozo, a 2 pulg. (51 mm) sobre la descarga de la bomba, pero debajo de la válvula de retención. El orificio de alivio permite el escape de aire de la carcasa. Al permitir que entre líquido a la carcasa se asegura que la bomba pueda arrancar cuando el nivel de líquido aumente. A menos que se proporcione un orificio de alivio, una bomba de toma inferior podría “obstruirse con aire” y no bombear agua, a pesar de que el impulsor gire.


Todas las tuberías deben estar apoyadas correctamente, de modo que no se apliquen esfuerzos o cargas de las tuberías a la bomba.


La cubierta de acceso a la fosa debe ser de tamaño suficiente para permitir realizar el servicio de inspección, mantenimiento y levantamiento con grúa o montacargas.


ALAMBRADO y CONEXIÓN A TIERRA


Aviso importante: Lea las instrucciones de seguridad antes de proseguir con el cableado.


 Use únicamente alambre trenzado de cobre para la bomba/motor y la conexión a tierra. El alambre de conexión a tierra debe ser al menos del mismo tamaño que los alambres de la fuente de alimentación. Los alambres deben codificarse con colores para facilitar el mantenimiento y la identificación y resolución de problemas.


 Instale los cables y la conexión a tierra de acuerdo con el Código Eléctrico de EE.UU. (NEC) o el Código Eléctrico Canadiense, además de los códigos locales, estatales y provinciales.


 Instale un desconectador de todos los circuitos donde el código lo requiera.


 Desconecte y bloquee la corriente eléctrica antes de instalar o dar servicio.

 La tensión y fase de la fuente de alimentación debe corresponder con todos los requerimientos del equipo. La tensión o fase incorrecta puede producir incendio, daño al motor o a los controles y anula la garantía.

 Todos los empalmes debe ser impermeables. Si utiliza juegos de empalme, siga las instrucciones del fabricante.

 **ADVERTENCIA** Seleccione una caja de conexiones NEMA del tipo correcto para la aplicación y ubicación. La caja de conexiones debe garantizar conexiones de cableado seguras y secas.

 **ADVERTENCIA** Selle todos los controles de los gases presentes que pudiesen dañar los componentes eléctricos.

 **ADVERTENCIA** **LA FALLA DE CONECTAR A TIERRA PERMANENTEMENTE LA BOMBA, EL MOTOR Y LOS CONTROLES, ANTES DE CONECTAR LA CORRIENTE ELÉCTRICA PUEDE CAUSAR ELECTROCHOQUE, QUEMADURAS O LA MUERTE.**

SELECCIÓN Y CABLEADO DE LOS INTERRUPTORES Y PANELES DE CONTROL DE LA BOMBA

TIPOS DE INTERRUPTORES DE FLOTADOR

Hay tres tipos de interruptores de flotador de uso típico en las bombas monofásicas: de acción simple, vertical y de ángulo amplio.

Los interruptores de control de acción simple, sólo pueden conectarse a través de un panel de control. Si se conectan directamente a una bomba, se producirá un ciclado rápido y se podría quemar el motor y/o el interruptor de arranque del motor y/o el interruptor de flotador. Si se utilizan interruptores de acción simple con un panel de control, consulte la *Sección del Panel e Interruptor de flotador*.

Se ofrecen interruptores de flotador mecánicos verticales con enchufes en tándem para las bombas monofásicas. Son una selección ideal cuando hay espacio limitado para un interruptor. Requieren menos espacio que un interruptor de ángulo amplio ya que viajan en dirección vertical. Los números de modelos típicos comienzan con A2H ...

Los interruptores de flotador de ángulo amplio son el tipo más popular. Pueden conectarse directamente a una bomba o a un panel de control. El “largo de la traba” o la distancia entre el cuerpo del interruptor y el punto de pivote controla los puntos de encendido y apagado y la cantidad bombeada en un ciclo. El punto de pivote es donde el flotador va conectado ya sea a la bomba o a la tubería de descarga. *Consulte las figuras 1 a 5.*

INSTALACIÓN DE LOS INTERRUPTORES DE FLOTADOR

No hay reglas absolutas acerca de dónde instalar los interruptores de flotador, varía de trabajo a trabajo.

Reglas sugeridas a seguir: ¡Todos los flotadores deben instalarse debajo de la tubería de entrada!

Flotador de apagado: Primera preferencia: instálelo de manera que el nivel del agua quede siempre sobre el extremo superior de la bomba (cúpula del motor).
Segunda preferencia: instálelo de manera que el nivel del agua quede a no más de 6 pulg. por debajo del extremo superior de la bomba.

Flotador de encendido: instálelo de manera que el volumen de agua entre los flotadores de encendido y apagado permita bombas de 1½ HP y menores funcionar al menos 1 minuto. Las bombas de dos (2) HP y mayores deben funcionar al menos 2 minutos. La literatura sobre estanques establece los galones de almacenaje por pulgada de altura del estanque.

Flotador(es) de retardo/alarma: deben escalonarse sobre los flotadores de apagado y encendido. Trate de utilizar la mayoría del almacenaje disponible ofrecido por el estanque, ahorre espacio para la capacidad de almacenaje de reserva. *Consulte los diagramas y tablas en la Sección de Tablas de Interruptores de Flotador.*

DIAGRAMAS DE CABLEADO DEL PANEL

Nuestros paneles de control se envían con instrucciones y diagramas de cableado. Utilice dichas instrucciones en conjunto con este manual de instrucciones (IOM). La instalación eléctrica debe ser realizada por técnicos calificados únicamente. Cualquier problema o preguntas con respecto al control de otras marcas debe dirigirse a ese proveedor o al fabricante del control. Nuestro personal técnico no tiene diagramas esquemáticos técnicos o información de identificación y resolución de problemas de los controles de otras compañías.

ALARMAS

Recomendamos la instalación de una alarma en todas las bombas para aguas residuales. Muchos paneles de control estándar vienen equipados con circuitos de alarma. Si no se usa un panel de control, se ofrece una alarma por alto nivel de líquido independiente. La alarma alerta al propietario acerca de una situación de alto nivel de líquido en el sistema, de manera que pueda comunicarse con el personal de servicio apropiado para que investigue la situación.

BOMBAS MONOFÁSICAS

Las bombas monofásicas (1Ø) pueden operarse utilizando un interruptor de flotador en tándem o de conexión directa, un contactador o un panel de control simple o doble. *Ver las Figuras 1, 2 y 5.*

Todas las bombas del 1/3 y 1/2 HP, de 115 ó 230 voltios y algunas bombas de 3/4 y de 1 HP están equipadas con cables de alimentación estilo enchufe. Pueden enchufarse a interruptores de flotador en tándem para instalaciones sencillas. Se permite quitar los enchufes para conectar

directamente o conectar a un controlador simple o doble. El retiro del enchufe no anula la garantía ni viola las aprobaciones de las agencias. *Ver la figura 5.*

LAS UNIDADES CON ENCHUFE DEBEN CONECTARSE A UN TOMACORRIENTES TIPO TIERRA CONECTADO CORRECTAMENTE A TIERRA.



EN EL CASO DE UNIDADES SIN ENCHUFE, NO quite el cable NI EL PROTECTOR CONTRA TIRONES. NO CONECTE EL TUBO-CONDUCTO A LA BOMBA.

Las bombas con cables de alimentación con conductores desnudos pueden conectarse directamente a un interruptor de flotador, cablearse a un contactador de 1 fase, a un controlador simple o doble. Siempre verifique que el interruptor de flotador esté clasificado para el amperaje de funcionamiento máximo, amperaje de arranque máximo y la capacidad nominal de potencia de la bomba. Las bombas monofásicas para aguas residuales contienen sobrecargas de devanado de encendido, a menos que se especifique lo contrario en la placa de identificación de la bomba. *Ver las Figuras 1 y 2.*

PANELES DE CONTROL MONOFÁSICOS:

Los paneles de control pueden ser simples (controlan 1 bomba) o dobles (controlan 2 bombas). Nuestros paneles de control se ofrecen con muchas características estándar y pueden construirse con nuestras opciones más populares. También construimos paneles de acuerdo con las especificaciones del cliente, los cuales ofrecen muchas más opciones que los paneles. Los paneles de control contruidos de acuerdo con las especificaciones del cliente se ofrecen en muchas configuraciones diferentes. Las solicitudes de cotizaciones para paneles a la medida pueden enviarse a Servicio a los Clientes mediante nuestro distribuidor autorizado.

Nuestros paneles dobles presentan un diseño de tablero de circuito impreso de estado sólido con circuitos de alarmas de alto nivel estándar. Otras características estándar son: un contacto de alarma seco auxiliar para señalar una alarma remota y luces indicadoras de posición del interruptor de flotador. La mayoría de los paneles se mantienen en inventario para entrega inmediata.

INSTALACIÓN

INSTALACIÓN DE BOMBA ESTÁNDAR

Conecte la(s) bomba(s) a los adaptadores de riel corredizo o a la tubería de descarga. Las bases del riel corredizo deben anclarse al piso del pozo.

Todas las conexiones deben realizarse de acuerdo con los diagramas de cableado del panel de control, el código eléctrico de EE.UU., el código canadiense y los códigos estatales, provinciales y/o locales.



NO COLOQUE LAS MANOS EN LA SUCCIÓN DE LA BOMBA MIENTRAS VERIFICA LA ROTACIÓN DEL MOTOR. EL HACERLO PRODUCIRÁ GRAVES LESIONES PERSONALES.

Baje la(s) bomba(s) al pozo. Inspeccione para verificar que los flotadores funcionen libremente y que no hagan contacto con la tubería.

INSTALACIÓN DEL SISTEMA PREEMPACADO

Conecte las tuberías de acuerdo con los códigos locales y los dibujos en la Sección de Dibujos Típicos.

Sistemas del dren del fregadero – inspeccione la unidad para verificar que no esté dañada. Devuelva las unidades dañadas al distribuidor. Instale sobre suelo sólido y nivelado. Apriete con la mano la tubería en la conexión de entrada. Conecte la descarga a la línea de drenaje principal. La descarga debe contener una unión y una válvula de descarga. *Ver el Dibujo 2 de Instalación Típica.*

Sistemas en bloque – Inspeccione la unidad para determinar si está dañada. Devuelva las unidades dañadas al distribuidor. Instale sobre suelo sólido y nivelado. Quite toda la cinta de la tubería de descarga, orificio de ventilación, interruptor de flotador y entrada. Inspeccione para verificar que el flotador gire libremente y que esté conectado a la bomba. Instale el pasacables en la Entrada y lubríquelo antes de instalar la tubería de descarga. Conecte el orificio de ventilación de acuerdo con el código. Si lo está instalando afuera, protéjalo contra la congelación. Instale una unión y válvula de retención de acuerdo con las instrucciones del fabricante de la válvula. Instale una válvula de compuerta en el lado de descarga de la válvula de retención para realizar actividades de mantenimiento de las tuberías. *Ver el Dibujo 1 de Instalación Típica.*

OPERACIÓN

Una vez que se hayan hecho y verificado las conexiones de las tuberías, se pueden poner en funcionamiento las bombas.

Operación de interruptor en tándem – Enchufe el interruptor en tándem a un tomacorrientes dedicado conectado a tierra y luego enchufe la bomba al interruptor. Pruebe la bomba llenando el pozo hasta que la bomba se active. Si las bombas funcionan pero no bombean, probablemente estén obstruidas con aire; perfore los orificios de alivio de acuerdo con las instrucciones en la Sección de Tuberías.

Verifique el intervalo de operación para asegurar un tiempo de funcionamiento mínimo de un minuto y que la bomba se apague en la posición correcta. **Nota:** Los sistemas independientes pequeños normalmente tendrán un ciclo de ENCENDIDO-APAGADO rápido.

Operación del panel de control – Llene el pozo con agua limpia.

Utilice los interruptores H-O-A (manual – apagado – automático) de la bomba en la posición manual para probar las bombas. Si funcionan bien en la posición manual, pruebe la posición automática. Si las bombas funcionan pero no bombean, probablemente estén obstruidas con aire; perfore los orificios de alivio de acuerdo con las instrucciones en la Sección de Tuberías.

Coloque el (los) interruptor(es) del panel de control en la posición automática y pruebe minuciosamente el funcionamiento de los flotadores de ENCENDIDO, APAGADO y alarma llenando el pozo con agua limpia. **Importante:** Si no se proporciona un neutro desde la fuente de alimentación a un panel de control monofásico de 230 voltios, el circuito de control del panel no operará. Es necesario el neutro para completar el circuito de control de 115 voltios.

Verifique la tensión y la corriente y anote los datos en la sección delantera de este manual para referencia futura. Compare las lecturas de amperaje con el amperaje máximo indicado en la placa de identificación de la bomba. Si es más alto que el amperaje de la placa de identificación, investigue la causa. Si la bomba se hace funcionar fuera de la curva; es decir, con demasiado poca carga o con tensión alta o baja, aumentará el amperaje. El motor funcionará correctamente con tensión no más de un 10% por encima o por debajo de las clasificaciones en la placa de identificación de la bomba. El rendimiento dentro de este rango no será necesariamente igual al rendimiento publicado a la frecuencia y tensión exactas indicadas en la placa de identificación. Corrija el problema antes de continuar.

Reposicione el circuito de alarma, coloque el (los) interruptor(es) de la bomba en posición automática y el interruptor de control en la posición de encendido. Ahora la unidad está lista para la operación automática.

Explique la operación de las bombas, controles y alarmas al usuario final. Entregue la documentación al propietario o déjela en un lugar seco y seguro en el panel de control.

TABLA DEL PANEL E INTERRUPTORES DE FLOTADOR

El propósito de esta tabla es mostrar las cantidades de interruptores requeridas y la función de cada interruptor en un sistema de aguas residuales típicas. Las cantidades requeridas varían dependiendo del tipo de interruptor: de acción simple o de ángulo amplio. Las cantidades de interruptores varían también de acuerdo con el tipo de panel: simple con y sin alarmas y doble con alarmas.

Paneles dobles utilizando interruptores de acción simple:

Cableado del panel de tres flotadores

SW1	Fondo	Bombas apagadas
SW2	Medio	Primera bomba encendida
SW3	Extremo superior	Segunda bomba y alarma encendidas

Cableado del panel de cuatro flotadores ②

SW1	Fondo	Bombas apagadas
SW2	Segundo	Primera bomba encendida
SW3	Tercero	Segunda bomba encendida
SW4	Extremo superior	Alarma encendida

Paneles dobles utilizando interruptores de ángulo amplio:

Cableado del panel de tres flotadores

SW1	Fondo	Primera bomba encendida/ ambas apagadas
SW2	Extremo superior	Segunda bomba y alarma encendidas

Cableado del panel de cuatro flotadores

SW1	Fondo	Primera bomba encendida/ ambas apagadas
SW2	Medio	Segunda bomba encendida
SW3	Extremo superior	Alarma encendida

Paneles simples utilizando interruptores de acción simple:

Panel simple con alarma ①

SW1	Fondo	Bomba apagada
SW2	Medio	Bomba encendida
SW3	Extremo superior	Alarma encendida/apagada

Panel simple sin alarma

SW1	Fondo	Bomba apagada
SW2	Extremo superior	Bomba encendida

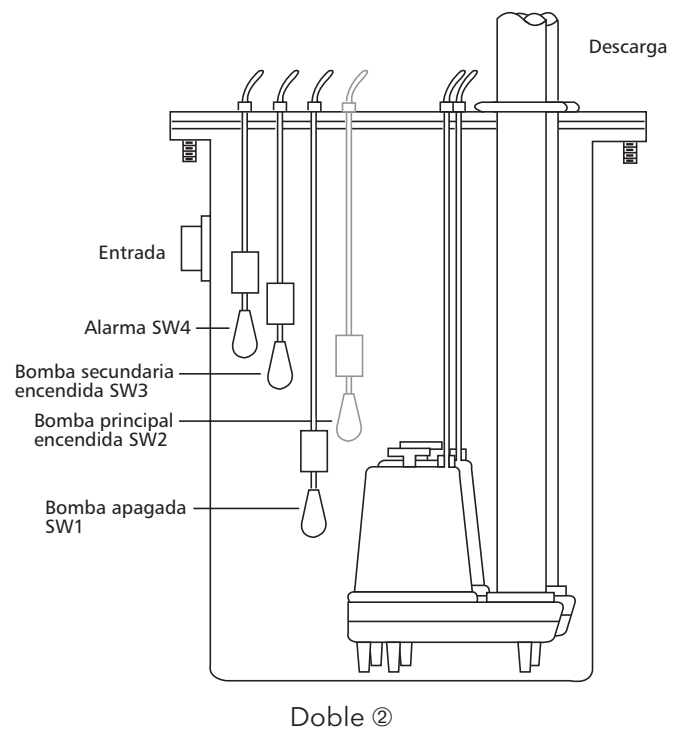
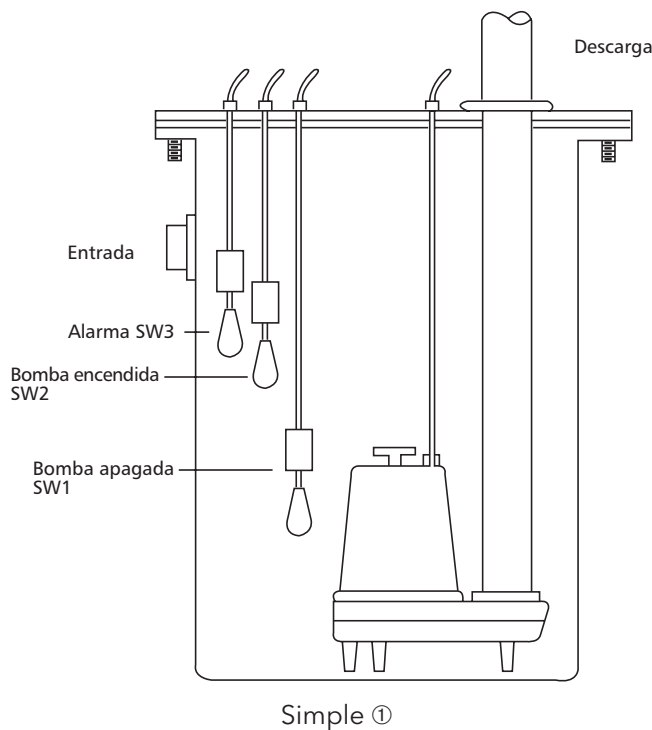
Paneles simples utilizando interruptores de ángulo amplio:

Panel simple con alarma

SW1	Fondo	Bomba encendida/apagada
SW2	Extremo superior	Alarma encendida/apagada

Panel simple sin alarma

SW1	Bomba encendida/apagada
-----	-------------------------



DATOS DE INGENIERÍA

Los datos de ingeniería para modelos específicos pueden encontrarse en su catálogo y en nuestro sitio Web (dirección en la cubierta).

Los diagramas de cableado del panel de control se envían con los paneles de control. Utilice los dibujos del panel de control junto con este manual de instrucciones para completar el cableado.

OPERACIÓN DE LA BOMBA		Temperatura máxima del fluido	
Sumersión mínima		Operación continua	
Servicio continuo	Sumergida totalmente	104° F	40° C
Servicio intermitente	6 pulg. por debajo del extremo superior del motor	Operación intermitente	
		140° F	60° C

Pumpmaster y Pumpmaster Plus - Cableado directo

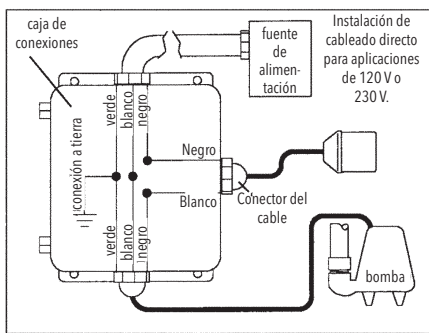


Figura 1

Interruptor de flotador de acción simple Instalación "típica"

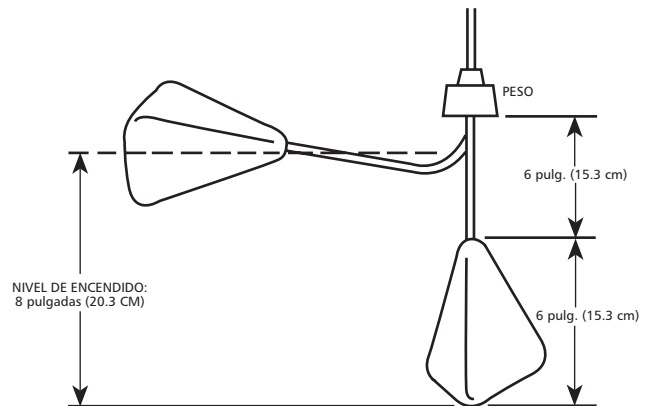


Figura 4

Flotador doble - de cableado directo

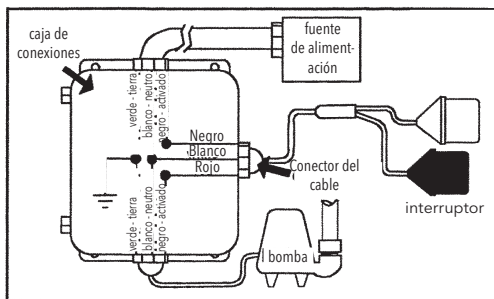


Figura 2

Interruptor de flotador de ángulo amplio

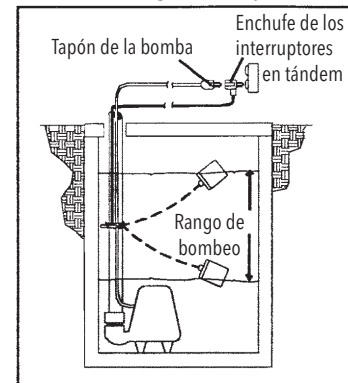


Figura 5

Determinación del rango de bombeo

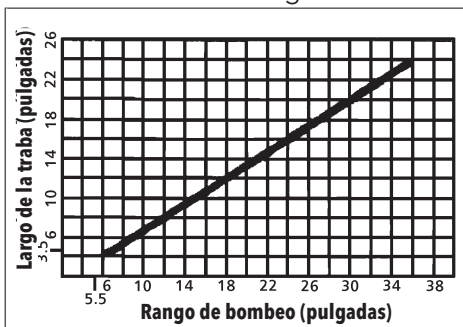


Figura 3

LECTURAS DE RESISTENCIA DEL AISLAMIENTO

Valores normales en ohmios y megaohmios entre todos los conductores y tierra

Condición del motor y los conductores	Valor en ohmios	Valor en Megaohmios
Un motor nuevo (sin cable de bajada).	20,000,000 (o más)	20 (o más)
Un motor usado que puede reinstalarse en el pozo.	10,000,000 (o más)	10 (o más)
Motor en el pozo. Las lecturas son para el cable de bajada más el motor.		
Motor nuevo.	2,000,000 (o más)	2 (o más)
El motor está en buenas condiciones.	500,000 -2,000,000	0.5 - 2
Daño de aislamiento, localícelo y repárelo.	Menos de 500,000	Menos de 0.5

La resistencia del aislamiento varía muy poco con la clasificación. Los motores de todas las clasificaciones de potencia, tensión y fase tienen valores similares de resistencia de aislamiento.

Los valores de resistencia de aislamiento anteriores están basados en lecturas obtenidas con un megaohmiómetro con salida de 500 V CC. Las lecturas pueden variar utilizando un ohmiómetro de tensión más baja; consulte con la fábrica si tiene dudas acerca de las lecturas.

INSTALACIONES TÍPICAS

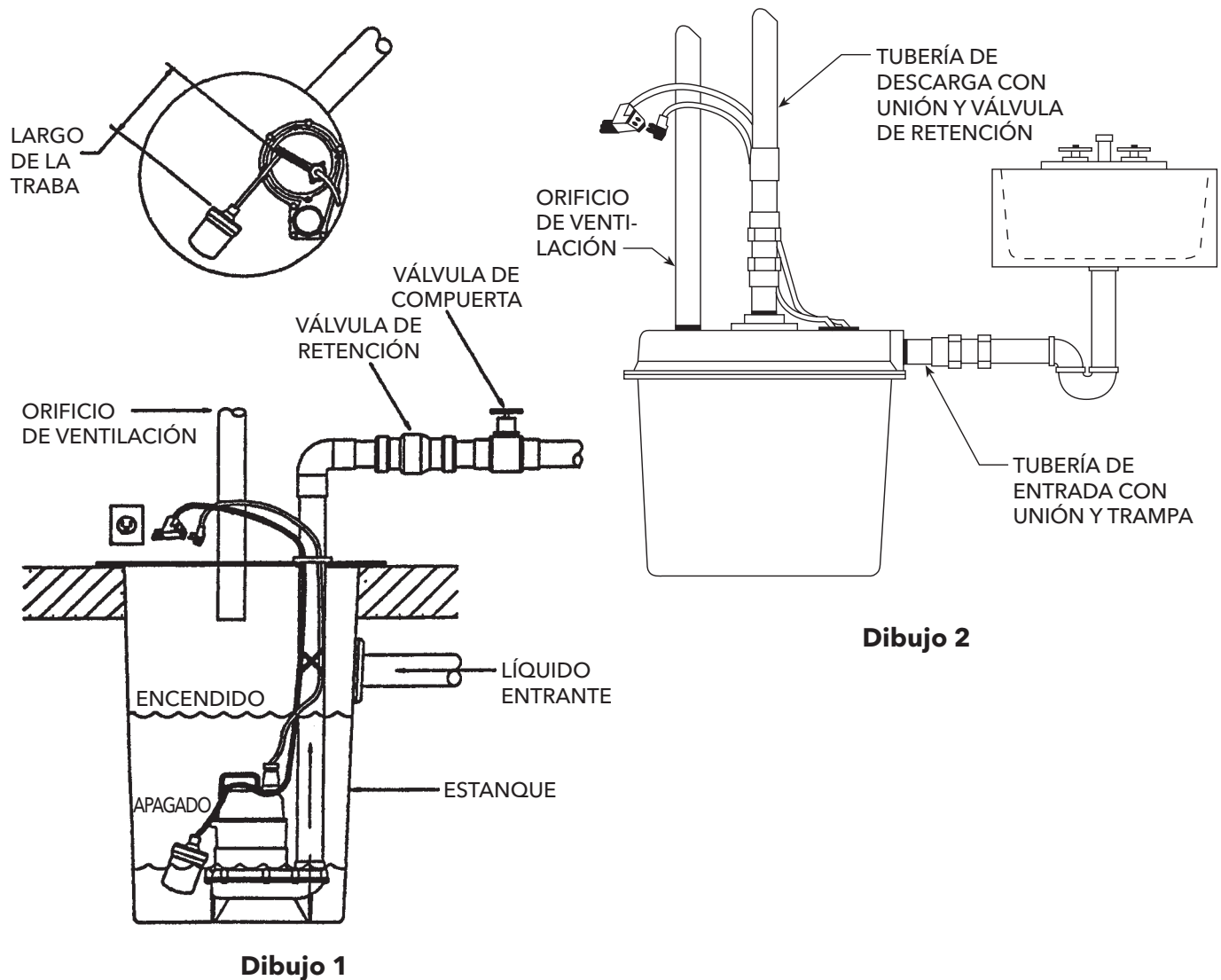
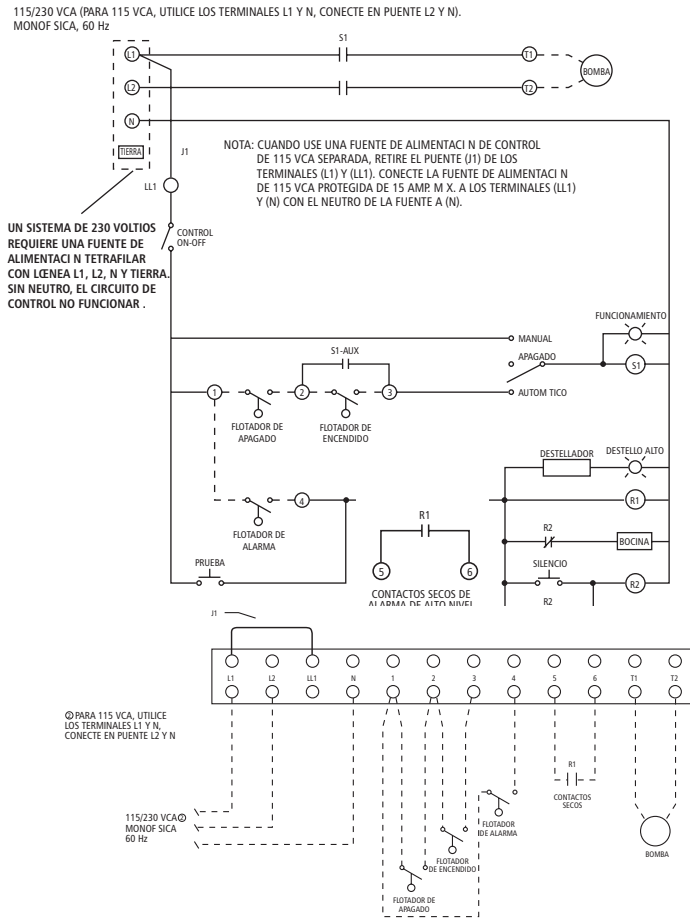
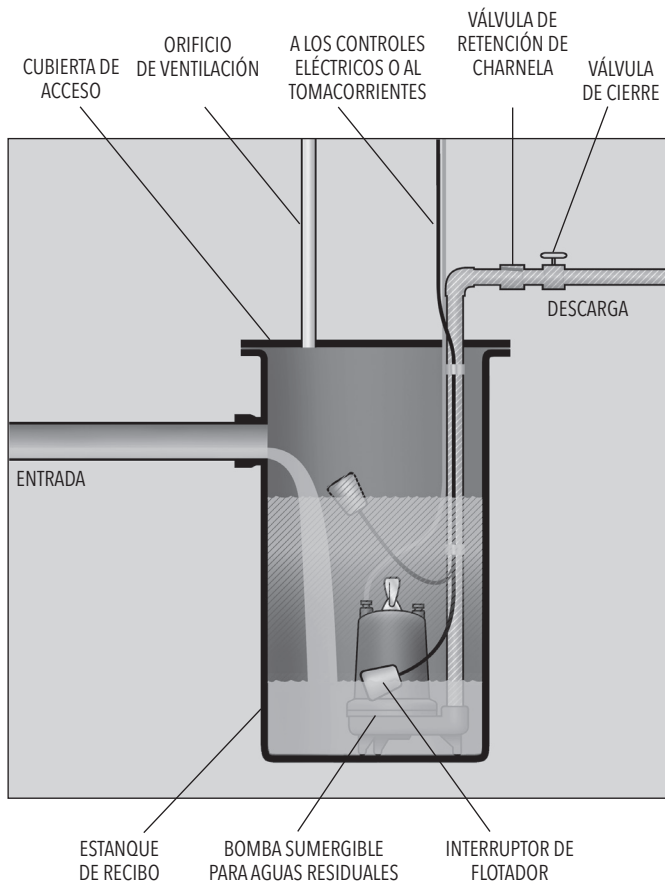


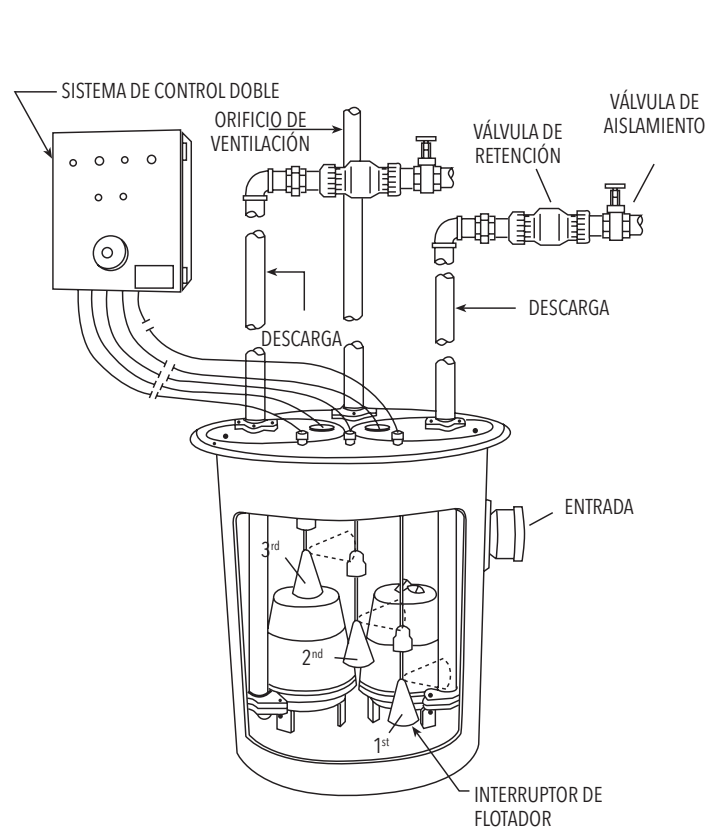
Diagrama de cableado de unidad simple monofásica S10020



Instalación simple típica



Instalación doble típica



IDENTIFICACIÓN Y RESOLUCIÓN DE PROBLEMAS



LA FALLA DE DESCONECTAR Y BLOQUEAR LA CORRIENTE ELÉCTRICA ANTES DE INTENTAR CUALQUIER SERVICIO, PUEDE CAUSAR ELECTROCHOQUE, QUEMADURAS O LA MUERTE.

SÍNTOMA	CAUSA PROBABLE	ACCIÓN RECOMENDADA
<p>EL MOTOR NO ESTÁ FUNCIONANDO</p> <p>NOTA: Si el cortacircuitos se “ABRE” repetidamente, NO lo reposicione. Llame a un electricista calificado.</p> <p>a) Operación manual</p> <p>b) Operación automática</p> <p>NOTA: Inspeccione la bomba en modo manual primero para confirmar el funcionamiento. Si la bomba funciona, el control automático o el cableado está defectuoso. Si la bomba no funciona, vea arriba.</p>	<p>Se disparó el protector térmico del motor</p> <p>Cortacircuitos abierto o fusible quemado.</p> <p>Impulsor de la bomba rozando o atascado.</p> <p>El cable de alimentación está dañado.</p> <p>Conexiones eléctricas inadecuadas en el panel de control.</p> <p>No hay alambre neutro conectado al panel de control.</p> <p>Conexiones eléctricas inadecuadas en el panel de control.</p> <p>Interruptor de nivel de líquido defectuoso para activar los controles.</p> <p>Nivel de líquido insuficiente para activar los controles.</p> <p>Cordones de los sensores de nivel de líquido enredados.</p>	<p>Deje que se enfríe el motor. Asegure la sumersión mínima de la bomba. Limpie los residuos de la carcasa y el impulsor.</p> <p>Determine la causa, llame a un electricista calificado.</p> <p>Determine el consumo de corriente del motor. Si es dos veces más alto que el indicado en la placa de identificación de la bomba, el impulsor está trabado, los cojinetes del motor o el eje está dañado. Limpie los residuos de la carcasa y el impulsor, consulte con el agente.</p> <p>La resistencia entre los conductores de alimentación y tierra debe indicar infinito. Si alguna lectura es incorrecta, llame a un electricista calificado.</p> <p>Inspeccione las conexiones del panel de control. Llame a un electricista calificado.</p> <p>Con el interruptor desconectado, verifique la continuidad mientras activa el interruptor de nivel de líquido. Reemplace el interruptor, según se requiera.</p> <p>Deje que el nivel de líquido aumente de 3 a 4 pulgadas (76 mm –101 mm) sobre el nivel de activación.</p> <p>Desenrede los cordones y asegure el funcionamiento libre.</p>
<p>LA BOMBA NO SE APAGA</p>	<p>Cordones de los sensores de nivel de líquido enredados.</p> <p>La bomba está atascada con aire.</p> <p>El flujo de líquido entrante coincide con la capacidad de descarga de la bomba.</p>	<p>Desenrede los cordones y asegure el funcionamiento libre.</p> <p>Apague la bomba durante aproximadamente un minuto y arránquela nuevamente. Repita hasta que se despeje la obstrucción de aire. Si la obstrucción de aire persiste en un sistema con tubo con válvula de retención, puede perforarse un agujero de 3/16 pulg. (4.8 mm) en el tubo de descarga aproximadamente a 2 pulgadas (51 mm) de la conexión de descarga.</p> <p>Podría requerirse una bomba más grande.</p>
<p>LA BOMBA ENTREGA POCO O NADA DE LÍQUIDO</p>	<p>La válvula de retención está instalada invertida, está obstruida o atascada en posición cerrada.</p> <p>Carga excesiva del sistema.</p> <p>Entrada a la bomba obstruida.</p> <p>Tensión incorrecta, o conectada incorrectamente.</p> <p>La bomba está atascada con aire.</p> <p>El impulsor está gastado o dañado.</p> <p>Los controles de nivel de líquido están defectuosos o instalados incorrectamente.</p>	<p>Verifique la flecha de flujo en la válvula y verifique el funcionamiento de ésta.</p> <p>Consulte con el agente.</p> <p>Inspeccione y despeje, según sea requerido.</p> <p>Verifique la rotación, la tensión y las conexiones de la bomba. Consulte con un electricista calificado.</p> <p>Consulte la acción recomendada, arriba.</p> <p>Inspeccione el impulsor, reemplácelo según sea necesario.</p> <p>Inspeccione, reajuste o reemplace, según sea requerido.</p>
<p>LA BOMBA CICLA CONSTANTEMENTE</p>	<p>La válvula de retención de la descarga no funciona.</p> <p>El área de contención de aguas negras es demasiado pequeña.</p> <p>Los controles de nivel de líquido están defectuosos o instalados incorrectamente.</p> <p>Cantidad excesiva de líquido entrante para una bomba de este tamaño.</p>	<p>Inspeccione, repare o reemplace, según sea requerido.</p> <p>Consulte con el agente.</p> <p>Inspeccione, reajuste o reemplace, según sea requerido.</p> <p>Consulte con el agente.</p>

GARANTÍA LIMITADA DE GOULDS WATER TECHNOLOGY

Esta garantía es aplicable a todas las bombas para sistemas de agua fabricadas por Goulds Water Technology.

Toda parte o partes que resulten defectuosas dentro del período de garantía serán reemplazadas sin cargo para el comerciante durante dicho período de garantía. Tal período de garantía se extiende por doce (12) meses a partir de la fecha de instalación, o dieciocho (18) meses a partir de la fecha de fabricación, cualquiera se cumpla primero.

Todo comerciante que considere que existe lugar a un reclamo de garantía deberá ponerse en contacto con el distribuidor autorizado de Goulds Water Technology del cual adquiriera la bomba, y ofrecer información detallada con respecto al reclamo. El distribuidor está autorizado a liquidar todos los reclamos por garantía a través del Departamento de Servicios a Clientes de Goulds Water Technology.

La presente garantía excluye:

- (a) La mano de obra, el transporte y los costos relacionados en los que incurra el comerciante;
- (b) los costos de reinstalación del equipo reparado;
- (c) los costos de reinstalación del equipo reemplazado;
- (d) daños emergentes de cualquier naturaleza; y
- (e) el reembolso de cualquier pérdida causada por la interrupción del servicio.

A los fines de esta garantía, los términos "Distribuidor", "Comerciante" y "Cliente" se definen como sigue:

- (1) "Distribuidor" es aquel individuo, sociedad, corporación, asociación u otra entidad jurídica que opera entre Goulds Water Technology y el comerciante para la compra, consignación o contratos de venta de las bombas en cuestión.
- (2) "Comerciante" es todo individuo, sociedad, corporación, asociación u otra entidad jurídica que realiza negocios de venta o alquiler-venta (leasing) de bombas a clientes.
- (3) "Cliente" es toda entidad que compra o que adquiere bajo la modalidad de leasing las bombas en cuestión de un comerciante. El término "cliente" puede significar un individuo, una sociedad, una corporación, una sociedad de responsabilidad limitada, una asociación o cualquier otra entidad jurídica con actividades en cualquier tipo de negocios.

LA PRESENTE GARANTÍA SE EXTIENDE AL COMERCIANTE ÚNICAMENTE



Xylem, Inc.
2881 East Bayard Street Ext., Suite A
Seneca Falls, NY 13148
Teléfono: (866) 325-4210
Fax: (888) 322-5877
www.xylem.com/brands/gouldswatertechnology

Goulds es una marca registrada de Goulds Pumps, Inc. y se utiliza bajo licencia.
© 2012 Xylem Inc. IM127 Revisión Número 3 Julio 2012

Pompes de puisard, à effluents et à eaux d'égout,
monophasées

DIRECTIVES D'INSTALLATION, D'UTILISATION ET D'ENTRETIEN

SUJET	PAGE
Consignes de sécurité	26
Vérifications avant installation.....	26
Levage de la pompe.....	26
Système de levage optionnel à rail de guidage ou à adaptateur coulissant.....	27
Tuyauterie	27
Câblage et mise à la terre.....	27
Sélection et câblage des contacteurs et des tableaux de commande	27
Installation	28
Mise en marche	29
Tableaux de commande et fonction des contacteurs à flotteur.....	30
Données techniques.....	31
Valeurs de résistance d'isolement du moteur.....	32
Installations types et schéma de câblage monophasé pour pompe simple	32
Diagnostic des anomalies.....	33
Garantie limitée.....	36

Informations pour le propriétaire

Numéro de modèle de la pompe : _____

Numéro de série de la pompe : _____

N° de modèle du tableau de commande : _____

Détaillant : _____

N° de téléphone du détaillant : _____

Date d'achat : _____ d'installation : _____

Courant (1 Ø) mesuré au démarrage

Intensité (A) : _____

Tension (V) : _____

CONSIGNES DE SÉCURITÉ

AFIN DE PRÉVENIR LES BLESSURES GRAVES OU MORTELLES ET LES DOMMAGES MATÉRIELS IMPORTANTS, LIRE ET SUIVRE TOUTES LES CONSIGNES DE SÉCURITÉ FIGURANT DANS LE MANUEL ET SUR LA POMPE.

LE PRÉSENT MANUEL A POUR BUT DE FACILITER L'INSTALLATION ET L'UTILISATION DE LA POMPE ET DOIT ÊTRE CONSERVÉ PRÈS DE CELLE-CI.



Le symbole ci-contre est un **SYMBOLE DE SÉCURITÉ** employé pour signaler les mots-indicateurs dont on trouvera la description ci-dessous. Sa présence sert à attirer l'attention afin d'éviter les blessures et les dommages matériels.



DANGER Prévient des risques qui **VONT** causer des blessures graves, la mort ou des dommages matériels importants.



AVERTISSEMENT Prévient des risques qui **PEUVENT** causer des blessures graves, la mort ou des dommages matériels importants.



ATTENTION Prévient des risques qui **PEUVENT** causer des blessures ou des dommages matériels.

AVIS : SERT À ÉNONCER LES DIRECTIVES SPÉCIALES DE GRANDE IMPORTANCE QUE L'ON DOIT SUIVRE.

LIRE SOIGNEUSEMENT CHAQUE DIRECTIVE ET AVERTISSEMENT AVANT D'EFFECTUER TOUT TRAVAIL SUR LA POMPE.

N'ENLEVER AUCUNE DÉCALCOMANIE DE SÉCURITÉ.



AVERTISSEMENT L'installation électrique doit être entièrement effectuée par un technicien qualifié.

Il faut toujours suivre les prescriptions du code provincial ou national de l'électricité et les règlements locaux. Adresser toute question relative au code à un inspecteur en électricité. Le non-respect du code et des politiques de santé et de sécurité au travail peut entraîner des blessures et des dommages matériels. L'observation des directives d'installation fournies par le fabricant peut se traduire par un choc électrique, un incendie, des blessures ou la mort, ainsi que par des dommages matériels, des performances non satisfaisantes et l'annulation de la garantie du fabricant.



AVERTISSEMENT Les pompes standard ne sont pas conçues pour les piscines, l'eau libre, les liquides dangereux ni les endroits pouvant contenir des gaz inflammables. Ces fluides peuvent être présents dans les installations de confinement (puits collecteurs, réservoirs ou fosses humides). On doit aérer ces installations suivant les codes locaux.

Seules les pompes de classe 1, division 1, peuvent servir dans les liquides dangereux et les endroits pouvant contenir des gaz inflammables. *Le nom des organismes de normalisation pertinents figure sur la plaque signalétique de la pompe ou dans les feuillets du catalogue décrivant les pompes en question.*



AVERTISSEMENT Verrouiller la source de courant en position ouverte avant de procéder à l'installation ou à l'entretien de tout dispositif électrique.

Le protecteur thermique de certains moteurs de pompe coupe le courant lorsqu'il y a surcharge thermique et le rétablit automatiquement, redémarrant ainsi la pompe inopinément.

VÉRIFICATIONS AVANT INSTALLATION

Ouvrir tous les cartons et vérifier si le matériel est endommagé. Signaler immédiatement tout dommage au fournisseur ou au transporteur.

Important : on doit toujours vérifier si les valeurs nominales inscrites sur la plaque signalétique (intensité, tension, puissance et nombre de phases) conviennent au tableau de commande et à la source de courant.

Le compartiment moteur de nombreuses pompes à eaux d'égout de Goulds est rempli d'huile isolante. S'il y a des traces d'huile sur la pompe ou si cette dernière a été entreposée longtemps, vérifier le niveau d'huile du compartiment et, si la pompe en est dotée, du logement de garniture.

Enlever le bouchon de l'orifice de remplissage du compartiment moteur (sur le dessus de celui-ci), puis vérifier le niveau d'huile par l'orifice. L'huile devrait seulement recouvrir le moteur. Ne pas trop en mettre pour que l'huile puisse se dilater !

Si le niveau d'huile est bas, utiliser de l'huile pour turbines ASTM 150, puis remettre le bouchon.

On peut se procurer de l'huile isolante en contenants de 5 gallons US chez un distributeur Goulds. On peut aussi en acheter chez un réparateur de moteurs électriques. Les marques d'huiles types sont : Shell Turbo 32, Sunoco Sunvis 932, Texaco Regal R&O 32, Exxon Nuto 32 et Mobil DTE Light.

Vérifier si l'écrou presse-garniture du serre-câble d'alimentation est suffisamment serré. Le couple de serrage est de 75 lbf-po pour les câbles de calibre 16 et de 80 lbf-po pour tout autre câble.

La garantie ne couvre pas les dommages dus au branchement de la pompe et du tableau de commande à une source de courant dont la tension ou le nombre de phases sont inappropriés.

Inscrire à titre documentaire les numéros de série et de modèle de la pompe et du tableau de commande dans les Informations pour le propriétaire, en première page. Une fois l'installation achevée, remettre le manuel au propriétaire ou l'attacher au tableau de commande.

LEVAGE DE LA POMPE



Les tensions dangereuses peuvent causer un choc électrique, des brûlures ou la mort.

NE PAS LEVER, TRANSPORTER NI SUSPENDRE LA POMPE PAR LE CÂBLE D'ALIMENTATION : L'ENDOMMAGEMENT DU CÂBLE POURRAIT CAUSER UN CHOC ÉLECTRIQUE, DES BRÛLURES OU LA MORT.

Lever la pompe par son boulon à œil ou sa poignée avec un filin ou une chaîne de grosseur appropriée. **NE PAS** endommager les câbles d'alimentation et de capteur pendant la manutention de la pompe.

SYSTÈME DE LEVAGE OPTIONNEL À RAIL DE GUIDAGE OU À ADAPTATEUR COULISSANT

Dans le cas de bon nombre de cuves à effluents et de postes de relèvement d'eaux d'égout, il est conseillé de monter la pompe sur un rail de guidage ou avec un adaptateur coulissant pour pouvoir descendre, retirer, inspecter et entretenir celle-ci plus facilement. La plupart des codes n'autorisent pas le personnel à entrer dans une fosse humide sans la formation ni l'équipement protecteur appropriés. Le rail et l'adaptateur sont conçus pour faciliter la mise en place et la sortie de la pompe, et ce, sans disjoindre la tuyauterie. Le rail et l'adaptateur devraient être placés de façon à ce que la pompe soit face à l'orifice d'arrivée de l'influent pour empêcher la formation de zones de stagnation et, ainsi, de dépôts. Le fond du puits collecteur ou de la cuve doit être plat et suffisamment résistant pour supporter le poids de la pompe et du rail de guidage.

AVIS : SUIVRE LES DIRECTIVES FOURNIES AVEC LE RAIL DE GUIDAGE.

TUYAUTERIE

Afin de réduire les pertes de charge (par frottement) au minimum, la tuyauterie de refoulement devrait être aussi courte que possible et dépourvue d'accessoires et de raccords superflus. Son diamètre devrait être au moins égal à celui de l'orifice de refoulement de la pompe.

Prévenir le retour du liquide : poser sur le tuyau de refoulement un clapet de non-retour de calibre convenant à la grosseur des solides que la pompe peut laisser passer. Le retour du liquide peut faire tourner la pompe en sens inverse, provoquant ainsi l'usure prématurée des garnitures mécaniques et des roulements. S'il y a « rotation en sens inverse » au moment du démarrage, le couple accru produit peut abîmer le moteur ou l'arbre de pompe, ou les deux, et même forcer certaines pompes monophasées à continuer à tourner en sens inverse.

Poser **EN AVAL** (après) du clapet de non-retour un robinet-vanne de calibre approprié pour permettre l'entretien de la pompe, de la tuyauterie et du clapet.







Important : avant d'installer la pompe et afin de prévenir la formation de poches d'air dans celle-ci, percer un trou-purgeur d'air dans le tuyau de refoulement à environ 51 mm (2 po) au-dessus de l'orifice de refoulement de la pompe, mais avant le clapet de non-retour et à l'intérieur de la fosse humide. Le diamètre du trou sera de 3,2 mm ($\frac{1}{8}$ po) pour l'eau ordinaire et de 4,8 mm ($\frac{3}{16}$ po) pour les eaux usées contenant des solides. On permettra ainsi au liquide d'entrer dans la pompe par gravité, surtout si l'orifice d'aspiration est situé en dessous, et préviendra la formation de poches d'air qui empêcheraient le pompage du liquide même si la roue de la pompe tourne.

La tuyauterie doit être supportée correctement pour n'appliquer sur la pompe aucune charge pouvant la déformer.

Couvercles et trappes de visite doivent être assez grands pour permettre l'inspection et l'entretien de la pompe ainsi que l'emploi d'un dispositif de levage.

CÂBLAGE ET MISE À LA TERRE

Avis important : lire les Consignes de sécurité avant de procéder au câblage.

-  N'utiliser que du fil torsadé en cuivre pour la mise à la terre et l'alimentation du moteur. Le calibre du fil de terre doit être au moins égal à celui des fils d'alimentation du moteur, et les fils devraient tous être chromocodés pour faciliter l'entretien et le diagnostic des anomalies.
-  Poser le fil de terre et les autres fils suivant les prescriptions du code provincial ou national de l'électricité.
-  Installer un sectionneur tout conducteur si le code l'exige.
-  Verrouiller la source de courant en position ouverte avant de procéder à l'installation ou à l'entretien de la pompe.
-  Le nombre de phases et la tension d'alimentation doivent convenir à tout l'équipement. Un nombre de phases et une tension inappropriés annulent la garantie et peuvent causer un incendie et des dommages au moteur et au tableau de commande.
-  Chaque jonction de fils doit être étanche. Si l'on emploie un nécessaire de jonction (« kit »), suivre les directives du fabricant.



Choisir la boîte de jonction du type et de la classe NEMA convenant au type et au lieu d'utilisation. La boîte doit assurer une jonction de fils sûre et étanche.



Étancher les commandes afin d'empêcher les gaz d'en détériorer les composants.



Tension dangereuse

OMETTRE LA MISE À LA TERRE PERMANENTE DE LA POMPE, DU MOTEUR ET DES COMMANDES AVANT LE BRANCHEMENT À LA SOURCE DE COURANT PEUT CAUSER UN CHOC ÉLECTRIQUE, DES BRÛLURES OU LA MORT.

SÉLECTION ET CÂBLAGE DES CONTACTEURS ET DES TABLEAUX DE COMMANDE

CONTACTEURS À FLOTTEUR TYPES

Trois types de contacteurs à flotteur sont normalement utilisés avec les pompes monophasées : à simple effet, vertical et à grand déplacement angulaire.

Les contacteurs à commande simple effet tels ne peuvent être reliés à la pompe que par le tableau de commande, sinon ils accéléreront le fonctionnement cyclique (démarrage-arrêt), risquant ainsi de brûler le moteur, son contacteur de démarrage ou le contacteur à flotteur, ou les trois. Avant d'utiliser un contacteur à flotteur à simple effet, connecté à un tableau de commande, voir la section *Tableaux de commande et fonction des contacteurs à flotteur*.

Les contacteurs à flotteur verticaux (mécaniques) sont offerts pour les pompes monophasées et sont munis d'une fiche-prise. Ils constituent le choix idéal lorsque l'espace de déplacement du contacteur est réduit : le déplacement

vertical requiert moins d'espace que le grand déplacement angulaire. Le numéro des modèles types débute par A2H.

Les contacteurs à flotteur à grand déplacement angulaire représentent le type le plus populaire. Ils peuvent être reliés à la pompe directement ou par le tableau de commande. La longueur du câble du contacteur, c'est-à-dire la distance entre son point pivot et le boîtier du contacteur, constitue la plage de pompage (niveaux démarrage-arrêt) et régit donc la quantité de liquide pompée à chaque cycle. Voir les fig. 1-5.

RÉGLAGE DES CONTACTEURS À FLOTTEUR

Il n'existe pas de règle absolue pour le réglage des contacteurs à flotteur, lequel peut varier d'une installation à l'autre.

Règles suggérées :

Tous les contacteurs à flotteur devraient être placés sous l'orifice d'arrivée de l'influent !

Contacteur d'arrêt: (1^{er} choix) — le régler pour que le niveau du liquide soit toujours au-dessus du compartiment moteur. **(2^e choix)** — le régler pour que le niveau du liquide ne puisse être à plus de 6 po sous le dessus du compartiment moteur.

Contacteur de démarrage: le régler pour que la plage de pompage permette aux pompes de 1½ hp ou moins de fonctionner pendant au moins une (1) minute. Les pompes de 2 hp et plus devraient fonctionner durant au moins deux (2) minutes. Le catalogue donne la capacité de chaque cuve en gallons US par pouce de hauteur.

Contacteur(s) de pompe secondaire et d'alarme: s'il n'y en a qu'un, le placer plus haut que les contacteurs d'arrêt et de démarrage, et, s'il y en a deux, on devrait en outre les décaler (v. les illustrations dans la section *Tableaux de commande et fonction des contacteurs à flotteur*). Essayer d'utiliser tout l'espace de stockage disponible de la cuve, mais prévoir un espace de réserve.

SCHÉMAS DE CÂBLAGE DES TABLEAUX DE COMMANDE

Des directives et des schémas de câblage sont fournis avec les tableaux de commande. Utiliser les directives en question conjointement avec celles du présent manuel. L'installation électrique ne doit être effectuée que par des techniciens qualifiés. Adresser toute question relative aux autres marques de tableau de commande au fournisseur ou au fabricant de ces marques. Le personnel technique de Goulds ne dispose pas des schémas ni des informations de dépannage des autres marques.

DISPOSITIFS D'ALARME

Il est recommandé de poser un dispositif d'alarme dans toute installation à pompe(s) à eaux usées. De nombreux tableaux de commande standard en sont munis. S'il n'y a pas de tableau de commande, on peut employer un dispositif d'alarme niveau haut, autonome, qui se déclenchera si le liquide atteint un niveau trop élevé, avertissant ainsi le personnel d'entretien, qui apportera alors les correctifs appropriés.

POMPES MONOPHASÉES

Les pompes monophasées peuvent être utilisées avec un contacteur à flotteur simple ou double à fiche-prise ou à raccordement fixe, avec un contacteur ordinaire ou avec un tableau de commande pour pompe simple ou double. Voir les fig. 1, 2 et 5.

Toutes les pompes de 1/3 et de 1/2 hp (115 ou 230 V), ainsi que certaines pompes de 3/4 et de 1 hp, sont munies d'un cordon d'alimentation à fiche pouvant être branchée sur la fiche-prise du contacteur à flotteur s'il s'agit d'une installation à pompe simple. On peut enlever la fiche du cordon d'alimentation et connecter celui-ci par raccordement fixe à un tableau de commande pour pompe simple ou double. L'enlèvement de la fiche n'annulera pas la garantie ni l'enregistrement auprès des organismes de normalisation pertinents. Voir la fig. 5.



LES POMPES CONNECTÉES PAR FICHE DOIVENT L'ÊTRE À UNE PRISE AVEC TERRE MISE À LA TERRE CORRECTEMENT.

S'IL S'AGIT D'UNE POMPE SANS FICHE, NE PAS ENLEVER LE CORDON D'ALIMENTATION NI SON SERRE-CÂBLE NI CONNECTER UN CONDUIT À LA POMPE.

Les pompes dont le bout des fils du cordon d'alimentation est dénudé peuvent être branchées par raccordement fixe à un contacteur à flotteur, à un contacteur ordinaire monophasé ou à un tableau de commande pour pompe simple ou double. On doit toujours s'assurer que le contacteur à flotteur convient à l'intensité de marche, à l'intensité maximale au démarrage et à la puissance nominales de la pompe. Sauf indication contraire sur la plaque signalétique, les pompes monophasées pour eaux usées sont munies d'une protection d'enroulement contre les surcharges. Voir les fig. 1 et 2.

TABLEAUX DE COMMANDE MONOPHASÉS

Les tableaux de commande viennent en deux versions: pour pompe simple ou pour pompe double. Les tableaux offrent de nombreuses fonctions standard auxquelles on peut ajouter les options les plus populaires. En outre, fournit des tableaux sur demande dont les fonctions sont beaucoup plus nombreuses que celles. Les tableaux faits sur demande sont offerts en versions variées. On peut adresser toute demande de prix pour ce type de tableau au service à la clientèle (*Customer Service*) par l'entremise d'un distributeur agréé.

Les tableaux de commande pour pompe double possèdent un circuit imprimé muni d'un circuit d'alarme niveau haut standard. Il existe d'autres accessoires standard: contacts d'alarme secs auxiliaires *signalant* les alarmes à distance et voyants indicateurs de position pour contacteurs à flotteur. La plupart des tableaux sont en stock et prêts à livrer.

INSTALLATION

INSTALLATION DE POMPE(S) STANDARD

Fixer à la ou aux pompes le raccord rapide pour le rail de guidage, l'adaptateur coulissant ou la tuyauterie de refoulement. Le pied d'assise du rail devrait être assujéti au fond de la fosse humide par des boulons d'ancrage.

Effectuer le câblage selon les schémas de câblage des tableaux de commande, les prescriptions du code provincial ou national de l'électricité et les règlements locaux.



ÉVITER LES BLESSURES GRAVES : NE PAS S'INTRODUIRE LA MAIN DANS L'ORIFICE D'ASPIRATION DE LA POMPE PENDANT LA VÉRIFICATION DU SENS DE ROTATION.

Descendre la ou les pompes dans la fosse humide.

S'assurer que les contacteurs à flotteur peuvent bouger librement, mais sans

pouvoir atteindre la tuyauterie.

INSTALLATION D'ENSEMBLES D'ÉVACUATION

Installer les ensembles d'évacuation conformément aux codes, aux règlements locaux et aux illustrations de la section Installations types.

Systèmes complets — vérifier si la pompe est endommagée. Si oui, la retourner au distributeur. Installer la pompe sur une surface solide et de niveau. Visser le tuyau d'arrivée à la main sur l'entrée de la cuve. Raccorder le tuyau de refoulement à la canalisation d'évacuation principale. Le tuyau de refoulement devrait comporter un raccord union et un clapet de non-retour. *Voir dans 2 la section Installations types.*

Systèmes de drain d'Évier — vérifier si la pompe est endommagée. Si oui, la retourner au distributeur. Installer la pompe sur une surface solide et de niveau. Enlever le ruban des tuyaux de refoulement et de mise à l'air libre, ainsi que du contacteur à flotteur et de l'entrée de la cuve. S'assurer que le contacteur à flotteur est fixé à la pompe et peut bouger librement. Poser la bague isolante dans l'entrée de la cuve, puis en lubrifier la pasoi intérieure avant d'y insérer le tuyau d'arrivée. Raccorder le tuyau de mise à l'air libre selon le code. Si l'ensemble est installé à l'extérieur, le protéger du gel. Poser un raccord union et un clapet de non-retour suivant les directives du fabricant du clapet, ainsi qu'un robinet-vanne en aval du clapet pour l'entretien de la pompe. *Voir dans 1 la section Installations types.*

MISE EN MARCHÉ

Une fois le raccordement de la tuyauterie achevé et vérifié, on peut mettre la ou les pompes en marche.

Vérification du fonctionnement des contacteurs à flotteur à fiche-prise — brancher d'abord la fiche-prise du contacteur sur une prise de courant indépendante mise à la terre, puis la prise de la pompe sur la fiche-prise du contacteur. Essayer la pompe en remplissant d'eau la fosse humide jusqu'à ce que la pompe démarre. Si le débit de la pompe est faible ou nul, c'est qu'il y a probablement présence d'air dans la pompe. Percer alors un trou-purgeur d'air selon les indications de la section Tuyauterie.

Vérifier la durée de fonctionnement de la pompe pour s'assurer qu'elle est d'au moins une minute et que la plage de pompage est correcte. *Nota* : les petits ensembles d'évacuation ont généralement un cycle démarrage-arrêt court.

Vérification du fonctionnement du tableau de commande — remplir d'eau la fosse humide.

Essayer d'abord la pompe en mode manuel en plaçant le commutateur «*Hand-Off-Auto*» (manuel-arrêt-automatique) du tableau de commande à *Hand*. Si la pompe fonctionne bien, l'essayer en mode automatique. Si le débit de la pompe est faible ou nul, c'est qu'il y a probablement présence d'air dans la pompe. Percer alors un trou-purgeur d'air selon les indications de la section Tuyauterie.

Faire fonctionner la pompe en mode automatique (*Auto*) et vérifier minutieusement le fonctionnement des contacteurs de démarrage, d'arrêt et d'alarme en remplissant d'eau la fosse humide. **Important** : omettre de brancher le fil neutre de la source de courant à tout tableau de commande alimenté en courant monophasé de 230 V empêchera le circuit de commande du tableau de fonctionner. Le neutre est nécessaire pour alimenter (115 V) le circuit de commande.

Mesurer l'intensité et la tension du courant au démarrage et les inscrire à titre documentaire dans les Informations pour le propriétaire, en première page. Comparer l'intensité mesurée à l'intensité maximale indiquée sur la plaque signalétique de la pompe. Si l'intensité mesurée est supérieure, en chercher la cause. L'utilisation de la pompe hors de sa courbe de performances, c.-à-d. avec une hauteur de charge trop faible ou avec une basse ou une haute tension, augmentera l'intensité du courant. Le moteur fonctionnera correctement si sa tension d'alimentation se situe dans les limites suivantes : tension nominale figurant sur la plaque signalétique $\pm 10\%$. Les performances obtenues dans ces limites ne seront pas nécessairement identiques à celles de la courbe de performances correspondant à la tension et à la fréquence nominales exactes inscrites sur la plaque signalétique. Apporter les correctifs nécessaires avant de continuer.

Réarmer le dispositif d'alarme, puis mettre la pompe en mode automatique (*Auto*) et le circuit de commande du tableau sous tension (interrupteur «*Control On-Off*» à *On*). Le système est maintenant prêt à fonctionner automatiquement. Expliquer le fonctionnement de la pompe et des dispositifs de commande et d'alarme à l'utilisateur, puis lui laisser la documentation ou l'attacher au tableau de commande s'il est installé dans un endroit sec, fermé.

TABLEAUX DE COMMANDE ET FONCTION DES CONTACTEURS À FLOTTEUR

L'objet de la présente section est d'indiquer le nombre de contacteurs à flotteur requis et le rôle de chacun dans les systèmes d'évacuation des eaux usées types. Le nombre varie selon le type de contacteur : à simple effet ou à grand déplacement angulaire, mais aussi selon le type de tableau de commande : pour pompe simple avec ou sans alarme ou pour pompe double avec alarme.

Tableaux de commande pour pompe double à contacteurs à simple effet

Trois contacteurs à flotteur

SW1	Inférieur	Pompes hors fonction
SW2	Intermédiaire	1 ^{re} pompe en fonction
SW3	Supérieur	2 ^e pompe et alarme en fonction

Quatre contacteurs à flotteur ②

SW1	Inférieur	Pompes hors fonction
SW2	Deuxième (du bas)	1 ^{re} pompe en fonction
SW3	Troisième (du bas)	2 ^e pompe en fonction
SW4	Supérieur	Alarme en fonction

Tableaux de commande pour pompe double à contacteurs à grand déplacement angulaire

Trois contacteurs à flotteur

SW1	Inférieur	1 ^{re} pompe en fonction ou les deux hors fonction
SW2	Supérieur	2 ^e pompe et alarme en fonction

Quatre contacteurs à flotteur

SW1	Inférieur	1 ^{re} pompe en fonction ou les deux hors fonction
SW2	Intermédiaire	2 ^e pompe en fonction
SW3	Supérieur	Alarme en fonction

Tableaux de commande pour pompe simple à contacteurs à simple effet

Trois contacteurs à flotteur avec alarme ①

SW1	Inférieur	Pompe hors fonction
SW2	Intermédiaire	Pompe en fonction
SW3	Supérieur	Alarme en fonction ou hors fonction

Deux contacteurs à flotteur sans alarme

SW1	Inférieur	Pompe hors fonction
SW2	Supérieur	Pompe en fonction

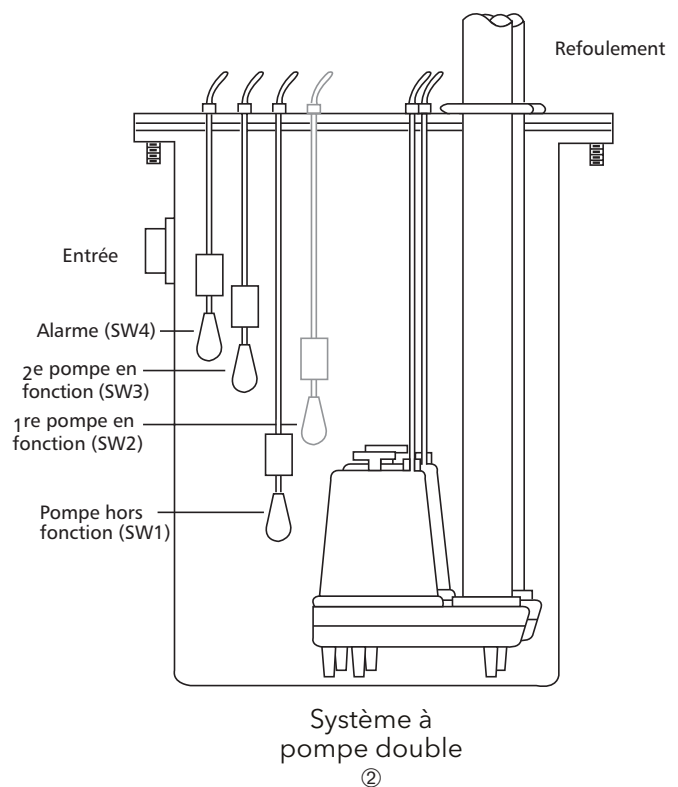
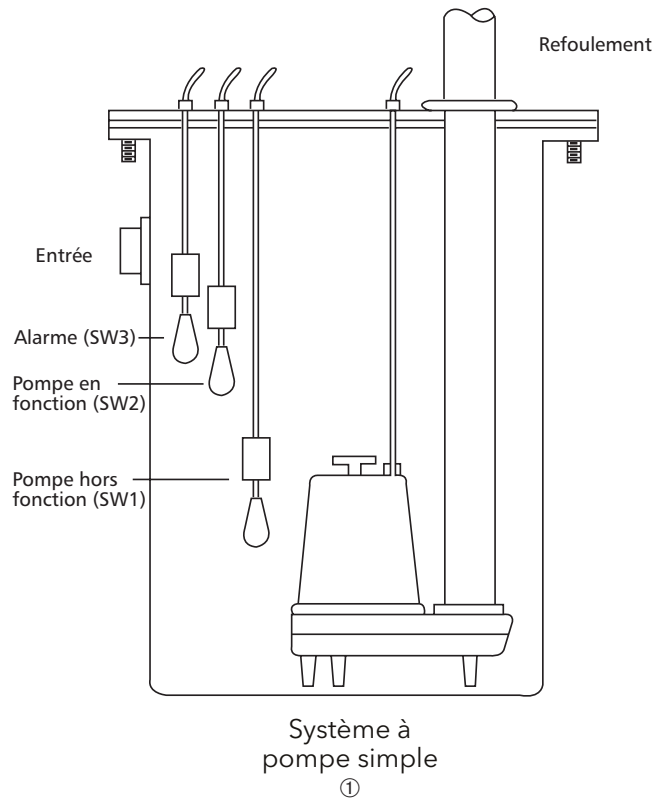
Tableaux de commande pour pompe simple à contacteurs à grand déplacement angulaire

Deux contacteurs à flotteur avec alarme

SW1	Inférieur	Pompe en fonction ou hors fonction
SW2	Supérieur	Alarme en fonction ou hors fonction

Un contacteur à flotteur sans alarme

SW1	Pompe en fonction ou hors fonction
-----	------------------------------------



DONNÉES TECHNIQUES

On trouvera les données techniques sur des modèles particuliers dans le catalogue et à l'adresse du site Web inscrite au bas de la première page.

Les schémas de câblage des tableaux de commande sont fournis avec ces derniers. S'en servir conjointement avec les directives du présent manuel pour effectuer le câblage.

SERVICE DE LA POMPE		Température maximale du liquide	
Hauteur d'immersion minimale		Service continu	40 °C (104 °F)
Service continu	Immersion totale	Service intermittent	60 °C (140 °F)
Service intermittent	6 po sous le dessus du compartiment moteur		

Raccordement fixe des contacteurs à flotteur Pumpmaster et Pumpmaster Plus

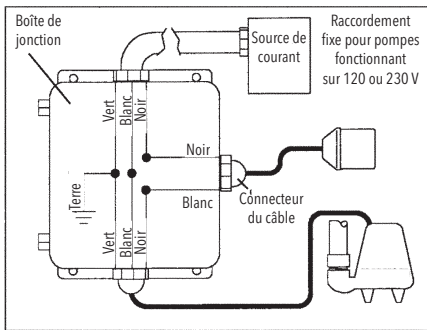


Figure 1

Installation type à contacteur à flotteur à simple effet

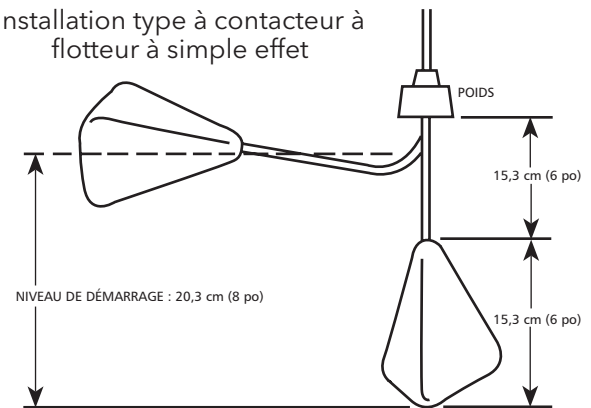


Figure 4

Raccordement fixe pour contacteur à flotteur double

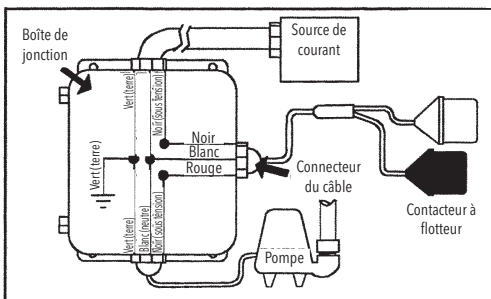


Figure 2

Détermination de la plage de pompage

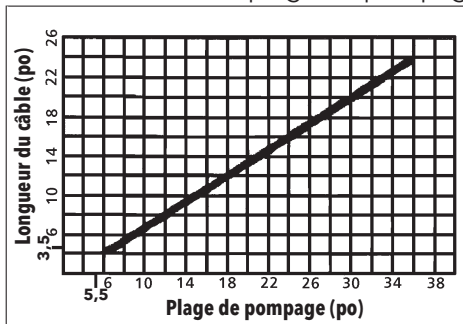


Figure 3

Contacteur à flotteur à grand déplacement angulaire

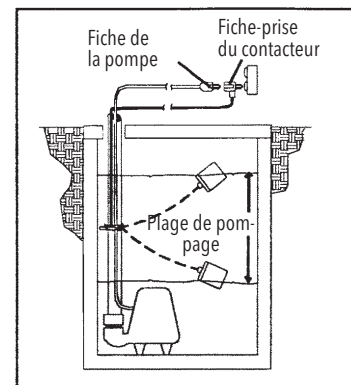


Figure 5

VALEURS DE RÉSISTANCE D'ISOLEMENT DU MOTEUR

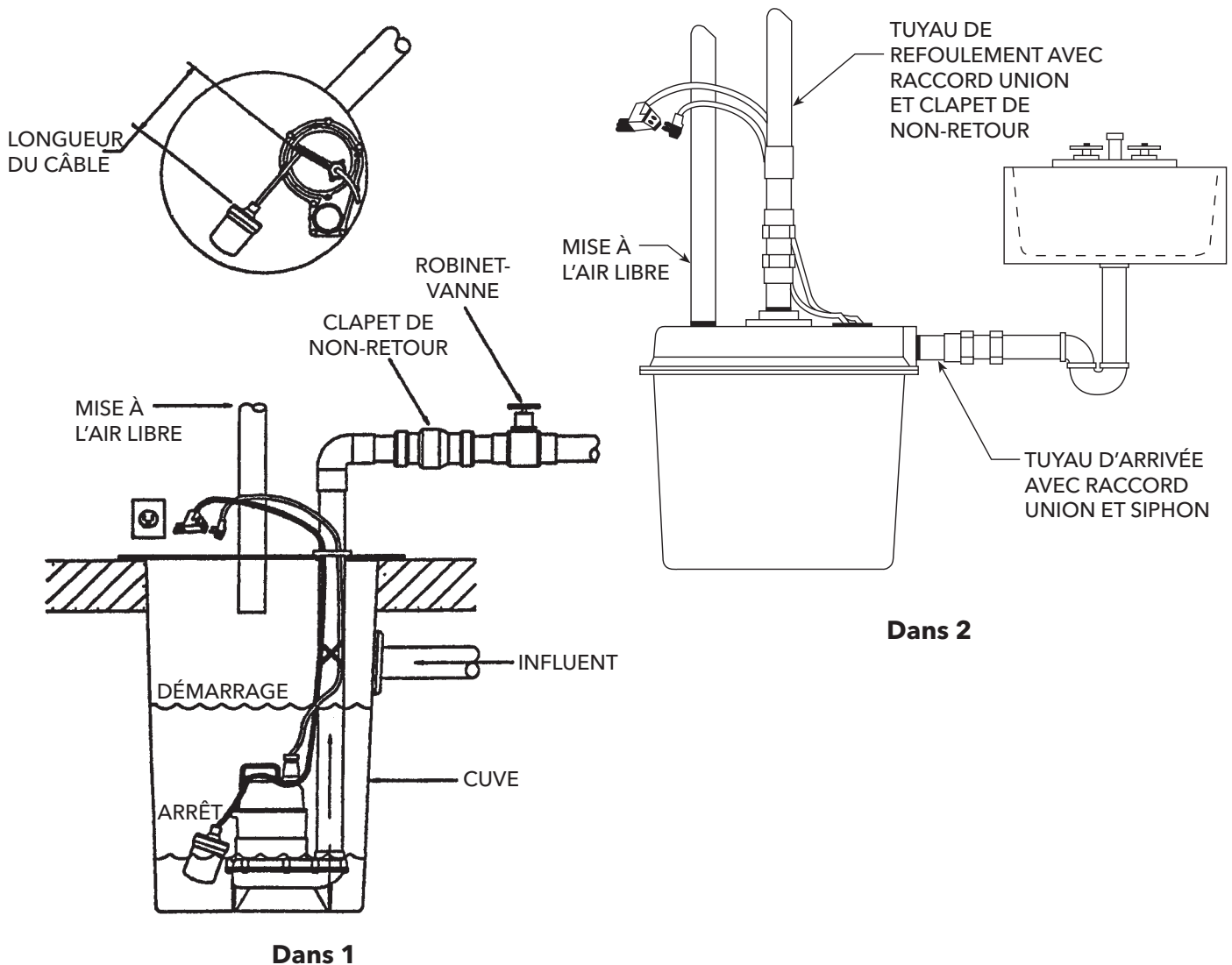
Valeurs normalement mesurées en ohms et en mégohms entre chaque fil et le fil de terre

État du moteur et des fils	Valeurs en ohms	Valeurs en mégohms
Moteur neuf sans câble d'alimentation	20 000 000 (et plus)	20 (et plus)
Moteur usagé réutilisable en fosse	10 000 000 (et plus)	10 (et plus)
Moteur en fosse - valeurs mesurées : câble d'alimentation plus moteur		
Moteur neuf	2 000 000 (et plus)	2 (et plus)
Moteur en bon état	500 000 à 2 000 000	0,5 à 2
Isolation endommagée (la réparer)	Moins de 500 000	Moins de 0,5

La valeur de résistance d'isolement varie très peu d'un moteur à l'autre, peu importent la puissance, la tension d'alimentation et le nombre de phases du moteur.

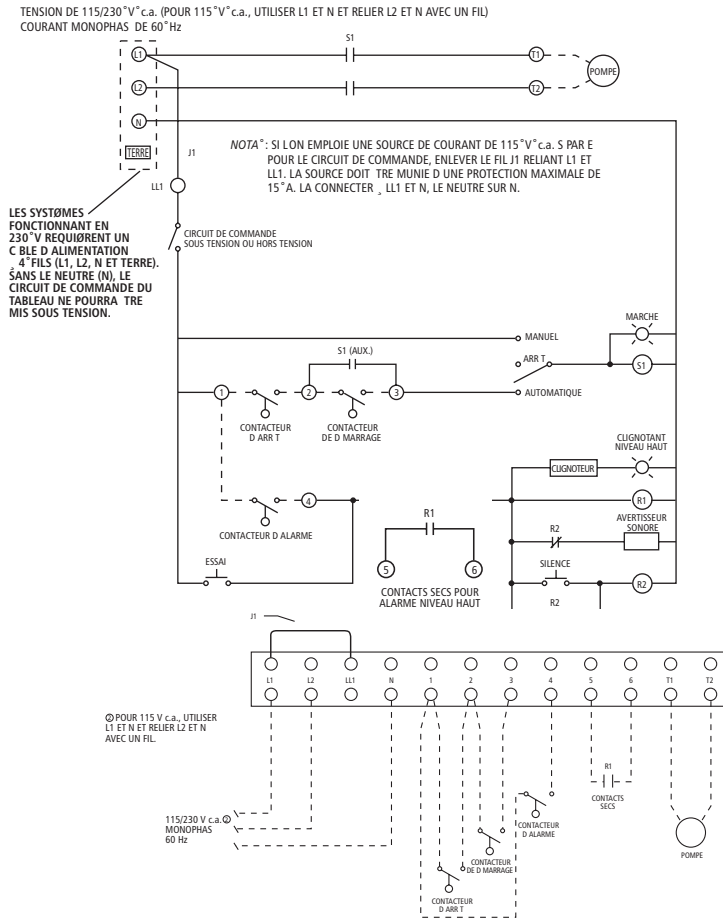
Les valeurs de résistance d'isolement ci-dessus sont tirées de mesures prises avec un mégohmmètre et une tension de sortie de 500 V c.c. Les valeurs mesurées peuvent varier si l'on utilise un ohmmètre avec une tension moindre. Communiquer avec le personnel technique de l'usine en pareil cas.

INSTALLATIONS TYPES

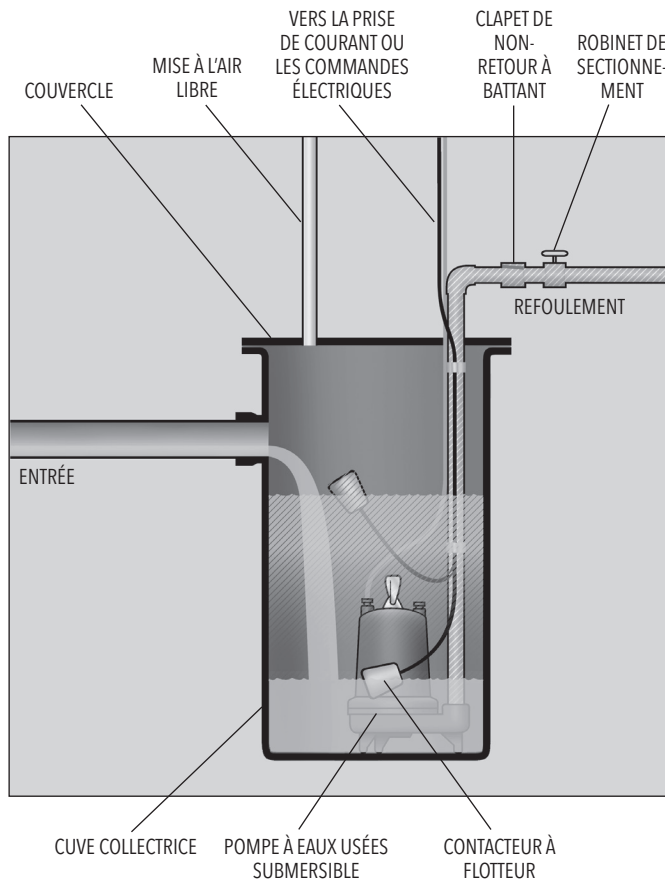


INSTALLATIONS TYPES (suite)

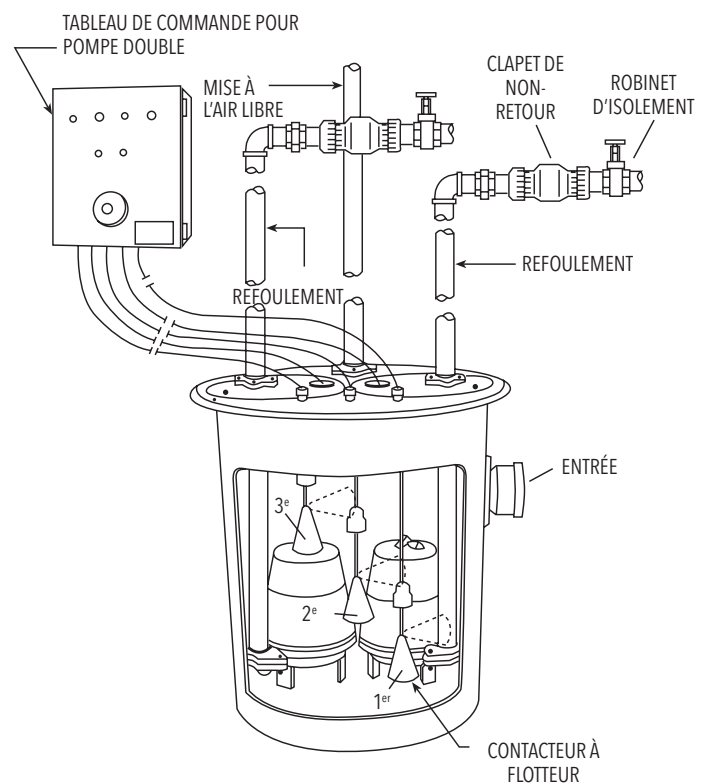
Schéma de câblage monophasé S10020 pour pompe simple



Installation type à pompe simple



Installation type à pompe double



DIAGNOSTIC DES ANOMALIES



OMETTRE DE VERROUILLER LA SOURCE DE COURANT EN POSITION OUVERTE AVANT D'EFFECTUER TOUT TRAVAIL D'ENTRETIEN SUR LA POMPE PEUT CAUSER UN CHOC ÉLECTRIQUE, DES BRÛLURES OU LA MORT.

ANOMALIES	CAUSES PROBABLES	CORRECTIFS RECOMMANDÉS
<p>NON-FONCTIONNEMENT DU MOTEUR</p> <p><i>NOTA</i> : si le disjoncteur ne cesse de s'«OUVRIR», NE PLUS le réarmer. S'adresser à un électricien.</p> <p>a) Mode manuel</p> <p>b) Mode automatique</p> <p><i>NOTA</i> : vérifier si la pompe peut fonctionner en mode manuel d'abord. Si oui, la commande automatique ou le câblage sont défectueux. Dans la négative, voir les indications ci-dessus.</p>	<p>Protecteur thermique du moteur déclenché</p> <p>Disjoncteur ouvert ou fusible sauté</p> <p>Roue bloquée ou grippée</p> <p>Câble d'alimentation endommagé</p> <p>Mauvaise connexion dans le tableau de commande</p> <p>Fil neutre non connecté au tableau de commande</p> <p>Mauvaise connexion dans le tableau de commande</p> <p>Contacteur à flotteur défectueux</p> <p>Liquide trop bas pour actionner les commandes</p> <p>Câbles de contacteur à flotteur enchevêtrés</p>	<p>Laisser le moteur refroidir. Vérifier si la hauteur d'immersion est suffisante. Enlever les débris du corps de pompe et de la roue.</p> <p>En déterminer la cause et s'adresser à un électricien.</p> <p>Mesurer le courant (A) consommé par le moteur. Si l'intensité est au moins deux fois plus élevée que celle qui figure sur la plaque signalétique de la pompe, la roue est grippée, ou bien les roulements ou l'arbre du moteur sont endommagés. Enlever les débris du corps de pompe et de la roue. Consulter le détaillant.</p> <p>La valeur de résistance mesurée entre les fils d'alimentation et le fil de terre devrait être infinie. Si elle n'est pas appropriée, appeler un électricien.</p> <p>Inspecter le câblage du tableau de commande. Appeler un électricien.</p> <p>Débrancher le contacteur à flotteur et en vérifier la continuité en l'actionnant. Le remplacer au besoin.</p> <p>Laisser le liquide monter de 76 à 101 mm (3 à 4 po) au-dessus du niveau de démarrage.</p> <p>Démêler les câbles de contacteur à flotteur et s'assurer que les contacteurs peuvent bouger librement.</p>
<p>NON-ARRÊT DE LA POMPE</p>	<p>Câbles de contacteur à flotteur enchevêtrés</p> <p>Poche d'air dans la pompe</p> <p>Débit de l'influent égal à celui de la pompe</p>	<p>Démêler les câbles de contacteur à flotteur et s'assurer que les contacteurs peuvent bouger librement.</p> <p>Arrêter la pompe pendant environ une minute, puis la remettre en marche. Répéter l'opération jusqu'à ce que la poche d'air s'élimine. Si le problème persiste et que le tuyau de refoulement comporte un clapet de non-retour, on peut percer un trou-purgeur d'air de 4,8 mm ($\frac{3}{16}$ po) de diamètre dans le tuyau à environ 51 mm (2 po) en aval de l'orifice de refoulement de la pompe.</p> <p>Il faut peut-être une pompe plus puissante.</p>
<p>DÉBIT DE REFOULEMENT FAIBLE OU NUL</p>	<p>Clapet de non-retour posé à l'envers, obstrué ou coincé en position fermée</p> <p>Hauteur de charge trop élevée du système</p> <p>Entrée de pompe obstruée</p> <p>Connexions ou tension inappropriées</p> <p>Poche d'air dans la pompe</p> <p>Roue usée ou endommagée</p> <p>Contacteurs à flotteur défectueux ou mal placés</p>	<p>Vérifier l'orientation de la flèche sur le clapet de non-retour et le fonctionnement de ce dernier.</p> <p>Consulter le détaillant.</p> <p>Inspecter et dégager l'entrée au besoin.</p> <p>Vérifier le sens de rotation de la pompe, la tension et le câblage. Consulter un électricien.</p> <p>Voir le correctif recommandé pertinent ci-dessus.</p> <p>Inspecter la roue et la remplacer au besoin.</p> <p>Inspecter, régler ou remplacer les contacteurs au besoin.</p>
<p>CYCLE DE FONCTIONNEMENT RÉPÉTÉ SANS ARRÊT</p>	<p>Clapet de non-retour défectueux</p> <p>Installation de confinement des eaux d'égout trop petite</p> <p>Contacteurs à flotteur défectueux ou mal placés</p> <p>Débit de l'influent supérieur à celui de la pompe</p>	<p>Inspecter, réparer ou remplacer le clapet au besoin.</p> <p>Consulter le détaillant.</p> <p>Inspecter, régler ou remplacer les contacteurs au besoin.</p> <p>Consulter le détaillant.</p>

GARANTIE LIMITÉE DE GOULDS WATER TECHNOLOGY

La présente garantie s'applique à chaque pompe de système d'alimentation en eau fabriquée par Goulds Water Technology.

Toute pièce se révélant défectueuse durant la période de garantie sera remplacée sans frais pour le détaillant durant ladite période, qui dure douze (12) mois à compter de la date d'installation ou dix-huit (18) mois à partir de la date de fabrication, soit la période qui expirera la première.

Le détaillant qui, aux termes de cette garantie, désire effectuer une demande de règlement doit s'adresser au distributeur Goulds Water Technology agréé chez lequel la pompe a été achetée et fournir tous les détails à l'appui de sa demande. Le distributeur est autorisé à régler toute demande par le biais du service à la clientèle de Goulds Water Technology.

La garantie ne couvre pas :

- a) les frais de main-d'oeuvre ou de transport ni les frais connexes encourus par le détaillant ;
- b) les frais de réinstallation de l'équipement réparé ;
- c) les frais de réinstallation de l'équipement de remplacement ;
- d) les dommages indirects de quelque nature que ce soit ;
- e) ni les pertes découlant de la panne.

Aux fins de la présente garantie, les termes ci-dessous sont définis comme suit :

- 1) "Distributeur" signifie une personne, une société de personnes, une société de capitaux, une association ou autre entité juridique servant d'intermédiaire entre Goulds Water Technology et le détaillant pour les achats, les consignations ou les contrats de vente des pompes en question.
- 2) "Détaillant" veut dire une personne, une société de personnes, une société de capitaux, une association ou autre entité juridique dont les activités commerciales sont la vente ou la location de pompes à des clients.
- 3) "Client" signifie une entité qui achète ou loue les pompes en question chez un détaillant. Un "client" peut être une personne, une société de personnes, une société de capitaux, une société à responsabilité limitée, une association ou autre entité juridique se livrant à quelque activité que ce soit.

CETTE GARANTIE SE RAPPORTE AU DÉTAILLANT SEULEMENT.



Xylem, Inc.
2881 East Bayard Street Ext., Suite A
Seneca Falls, NY 13148
Téléphone: (866) 325-4210
Télécopie: (888) 322-5877
www.xylem.com/brands/gouldswatertechnology

Goulds est une marque déposée de Goulds Pumps, Inc. et est utilisé sous le permis.
© 2012, Xylem Inc. IM127 Révision numéro 3 Juillet 2012