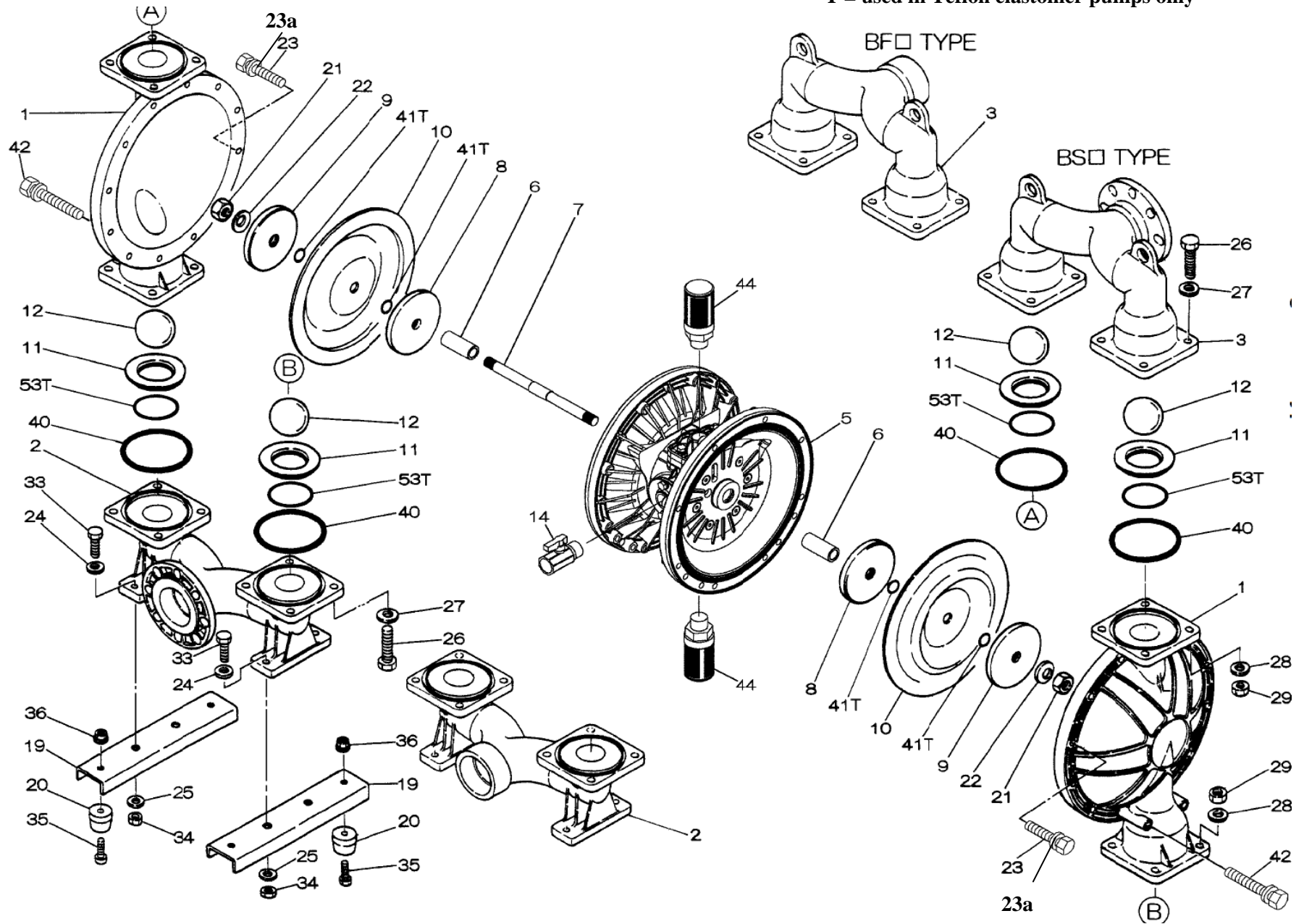


T = used in Teflon elastomer pumps only



XDP

Model: DP-80BSC-HD
Part # 854515 - NPT
Part # 854508 - Flange

Yamada America, Inc.
955 East Algonquin Rd
Arlington Heights, IL 60005
Phone: 847.631.9200
Fax: 847.631.9273
www.yamadapump.com



Reference No.	Description	Q'ty	Part No.
1	Out Chamber	2	712933
2	In Manifold - NPT	1	712605
2	In Manifold - Flange	1	712603
3	Out Manifold - NPT	1	712604
3	Out Manifold - Flange	1	712602
5	Body Assembly	1	804780
6	Center Bushing	2	716253
7	Center Rod	1	716252
8	Center Disk	2	711906
9	Center Disk	2	711907
10	Diaphragm	2	771857
11	Valve Seat	4	771958
12	Ball	4	770559
14	Ball Valve	1	684322
19	Pump Base	2	711912
20	Cushion	4	771402
21	Nut	2	683408
22	Coned Disk Spring	2	682740
23	Bolt	20	621182
23a	Wave Spring Washer	20	631937
24	Plain Washer	4	631174
25	Wave Spring Washer	4	631937
26	Bolt	16	621203
27	Plain Washer	16	631175
28	Spring Lock Washer	16	631938
29	Nut	16	628014
33	Bolt	4	621177
34	Nut	4	628013
35	Bolt	4	611149
36	Nut with Flange	4	682276
40	O-ring	4	640078
42	Bolt	4	686046
44	Silencer	2	804697

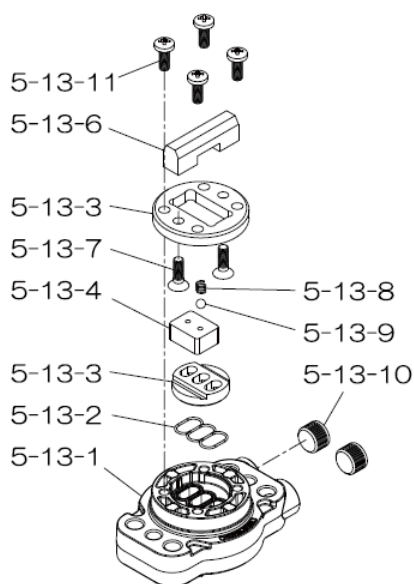
Repair Kits

K80-MC Liquid Side Kit includes the following:

Reference No.	Description	Q'ty	Part No.
10	Diaphragm	2	771857
11	Valve Seat	4	771958
40	O-ring	4	640078
12	Ball	4	770559

K80-AM-DP-HD Air Side Kit includes the following:

Reference No.	Description	Q'ty	Part No.
5-3	Throat Bearing	2	773066
5-5	Center Rod Guide	1	773047
5-6	O-ring	2	640023
5-7	O-ring	2	640133
5-8	Gasket	2	773040
5-9	Gasket	2	773041
5-10	O-ring	2	640138
5-11	O-ring	8	640007
5-14	O-ring	2	640134
5-21	Bushing	4	773067
5-22	Spring	2	684537
5-24	Pin	2	700231



804784 Valve Body Assembly

Reference No.	Description	Q'ty	Part No.
5-13-1	Valve Body	1	716244
5-13-2	Gasket	1	773042
5-13-3	Valve Seat	1	716246
5-13-4	Block	1	773065
5-13-5	Block Holder	1	716245
5-13-6	Valve Guide	1	773064
5-13-7	Flat Head Screw	2	684384
5-13-8	Spring	1	706612
5-13-9	Ball	1	686271
5-13-10	Plug	2	772934
5-13-11	Screw	4	602299

XDP

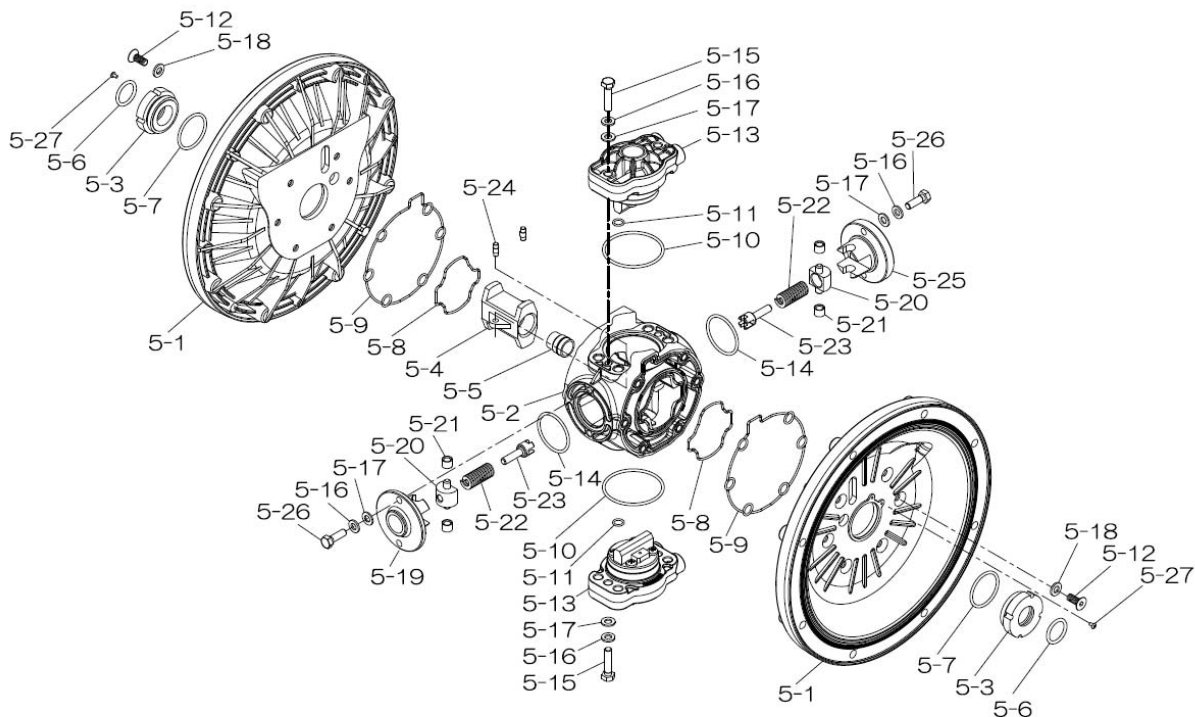
341B-00_2011

Yamada America, Inc.
 955 East Algonquin Rd
 Arlington Heights, IL 60005
 Phone: 847.631.9200
 Fax: 847.631.9273
 www.yamadapump.com



804780 Body Assembly

Reference No.	Description	Q'ty	Part No.
5-1	Air Chamber	2	716248
5-2	Body	1	716256
5-3	Throat Bearing	2	773066
5-4	Valve Switcher	1	716214
5-5	Center Rod Guide	1	773047
5-6	O-ring	2	640023
5-7	O-ring	2	640133
5-8	Gasket	2	773040
5-9	Gasket	2	773041
5-10	O-ring	2	640138
5-11	O-ring	8	640007
5-12	Flat Head Bolt	12	683812
5-13	Valve Body Assembly	2	804784
5-14	O-ring	2	640134
5-15	Bolt	4	611153
5-16	Spring Washer	8	631420
5-17	Plain Washer	8	631013
5-18	Plain Washer	12	684987
5-19	Retainer B	1	716249
5-20	Spring Retainer	2	713620
5-21	Bushing	4	773067
5-22	Spring	2	684537
5-23	Trip Arm	2	714446
5-24	Pin	2	700231
5-25	Retainer A	1	716216
5-26	Bolt	4	611149
5-27	Tapping Screws	2	686337



XDP

341B-00_2011

Yamada America, Inc.
 955 East Algonquin Rd
 Arlington Heights, IL 60005
 Phone: 847.631.9200
 Fax: 847.631.9273
 www.yamadapump.com

