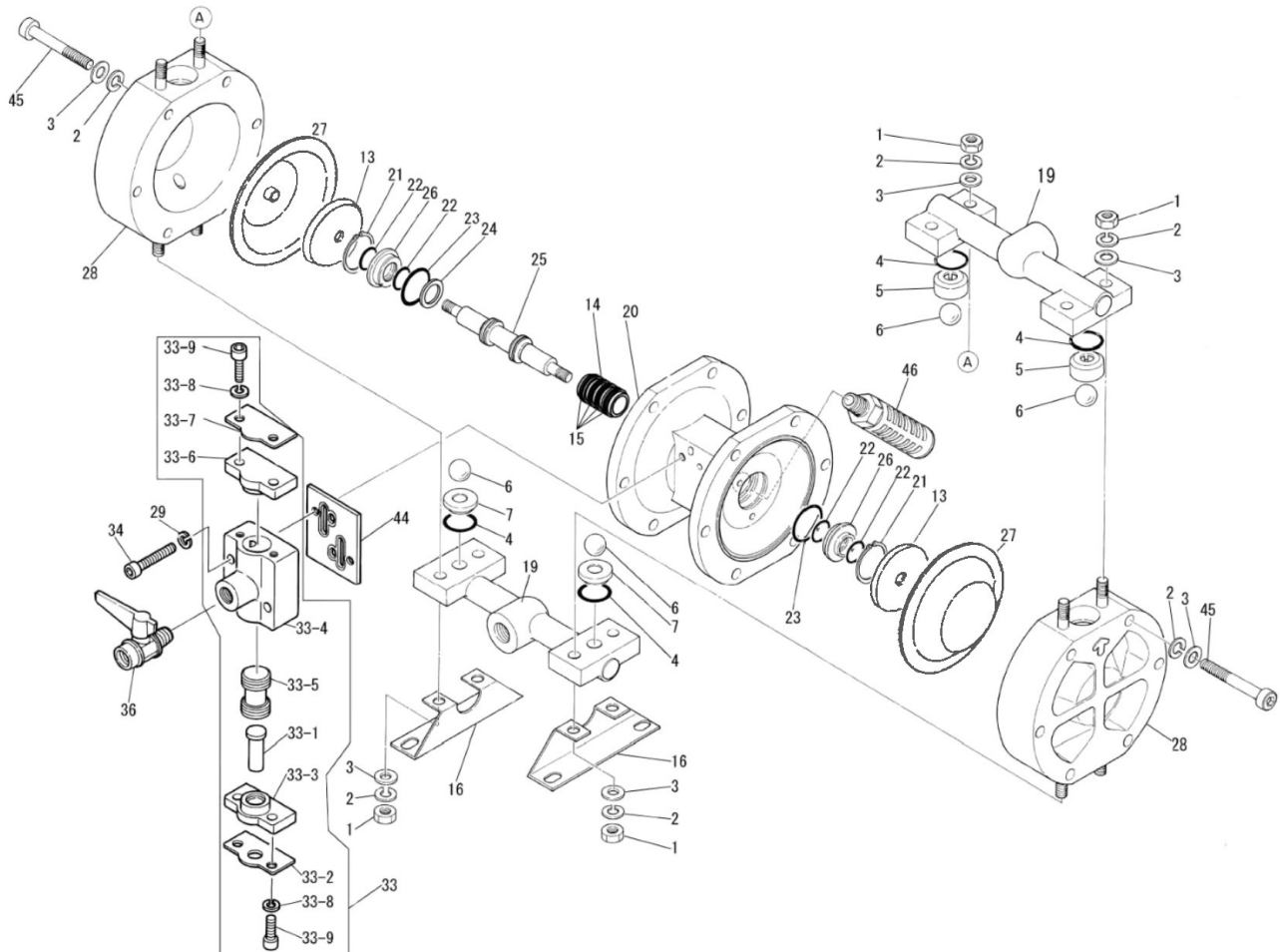
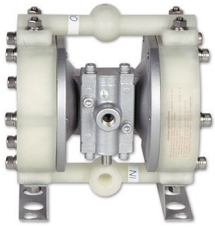
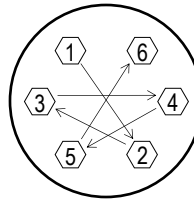


Air Operated Double Diaphragm Pump



Air Operated Double Diaphragm Pump

REF. No.	PART No.	DESCRIPTION	QTY.	REORDER
1	628012	NUT	8	
2	681300	SPRING LOCK WASHER	20	
3	631329	PLAIN WASHER	20	
4	643018	O-RING	8	
5	771136	VALVE STOPPER	2	
6	770931	BALL	4	
7	780270	VALVE SEAT	2	
13	20109	CENTER DISK (INNER)	2	
14	714678	SLEEVE	1	
15	684900	O-RING	4	
16	708511	PUMP BASE	2	
19	831316	MANIFOLD	2	
20	715107	BODY	1	
21	630807	RETAINING RING R TYPE	2	
22	684284	PACKING	4	
23	640131	O-RING	2	
24	772651	SPACER	1	
25	21785	CENTER ROD	1	
26	772619	GUIDE BUSH	2	
27	02-1160	DIAPHRAGM	2	
28	780194	OUT CHAMBER	2	
29	681855	SPRING LOCK WASHER	2	
33	804505	VALVE BODY ASSY.	1	
33-1	706798	PUSH ROD	1	
33-2	710587	REINFORCEMENT PLATE A	1	
33-3	771357	CAP	1	
33-4	710853	SPOOL VALVE CASE	1	
33-5	801404	SPOOL VALVE ASSY.	1	
33-6	771356	CAP	1	
33-7	710636	REINFORCEMENT PLATE B	1	
33-8	681855	SPRING LOCK WASHER	4	
33-9	682943	HEXAGON BOLT	4	
34	682918	HEXAGON BOLT	2	
36	686826	BALL VALVE	1	
44	771358	GASKET	1	
45	682945	HEXAGON BOLT	12	
46	682520	SILENCER	1	
KIT	K10-PU	LIQUID SIDE KIT		
KIT	K115-AM	AIR MOTOR KIT		

**Tightening torque for out chambers.**

Out Chambers	105 in-lbf {12 N-m}
Center Rod	122 in-lbf {14 N-m}

Tightening torque for manifold retainer bolts.

BPU	70 in-lbf {8 N-m}
-----	-------------------

General Tools:

- Socket wrench - 13mm
- Hexagonal box wrenches - 5mm, 6mm
- Snap ring pliers 12-25mm

Miscellaneous:

- Assembly Oil—turbine oil none additional class 1 (equivalent to ISO VG32 grade)
- Urea grease grade (NLGI) No. 2