

ELECTRONIC PRICING CATALOG NAVIGATION INSTRUCTIONS



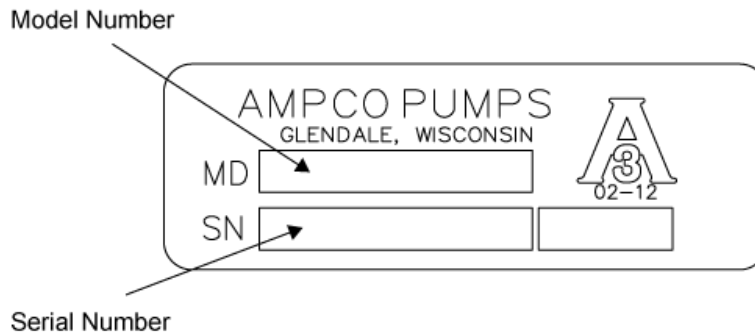
Questions? Call 1-800-810-1053

Select by Pump Model:

If you know what pump you are looking for, you can use the 'Bookmarks' tab on the left and select the pump model which you are trying to access. Clicking in the Bookmark will take you to the page you are looking for.

If there are no tabs on the left (bookmarks, signatures, layers, pages), you can use the top menu to make them appear. Goto VIEW > SHOW/HIDE > NAVIGATION PANES > BOOKMARKS and they will appear.

Sample Pump ID Tag: See the illustration below for help identifying the location of the Model number and Serial number on the pump ID tag.



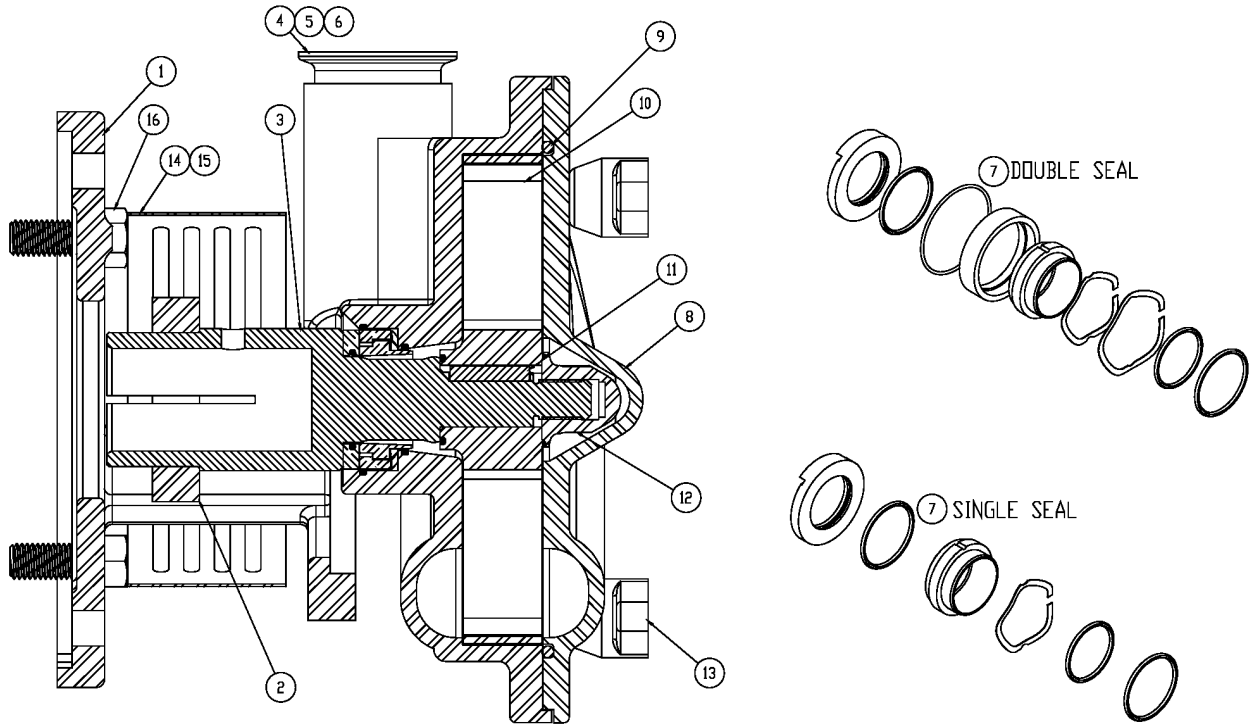
Please reference your serial number when ordering replacement parts.

Select by Part Number:

If you know an exact part number you are looking for, simply hit CONTROL+F and that will bring up the find feature. You may also use the menu, goto EDIT > FIND to bring up the same feature.

Type in your part number and it will show you all instances of that item in the catalog. If you only know some of the part number (i.e. SP328), that will also help and show all occurrences of those numbers together.

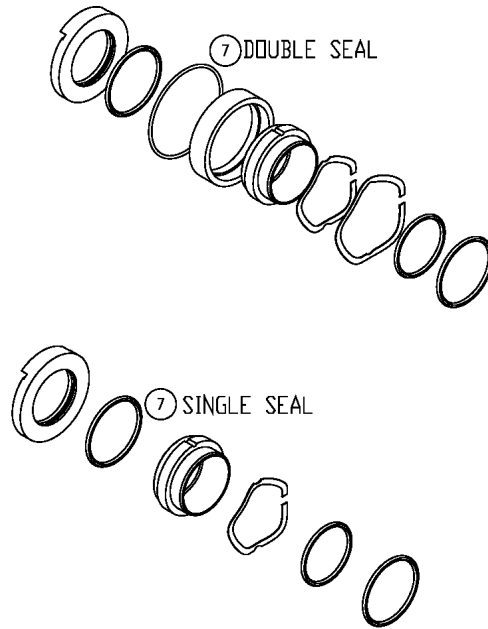
Be advised that partials of part number can return a large amount of results.



Exploded View

Optional Items Shown in ITALICS

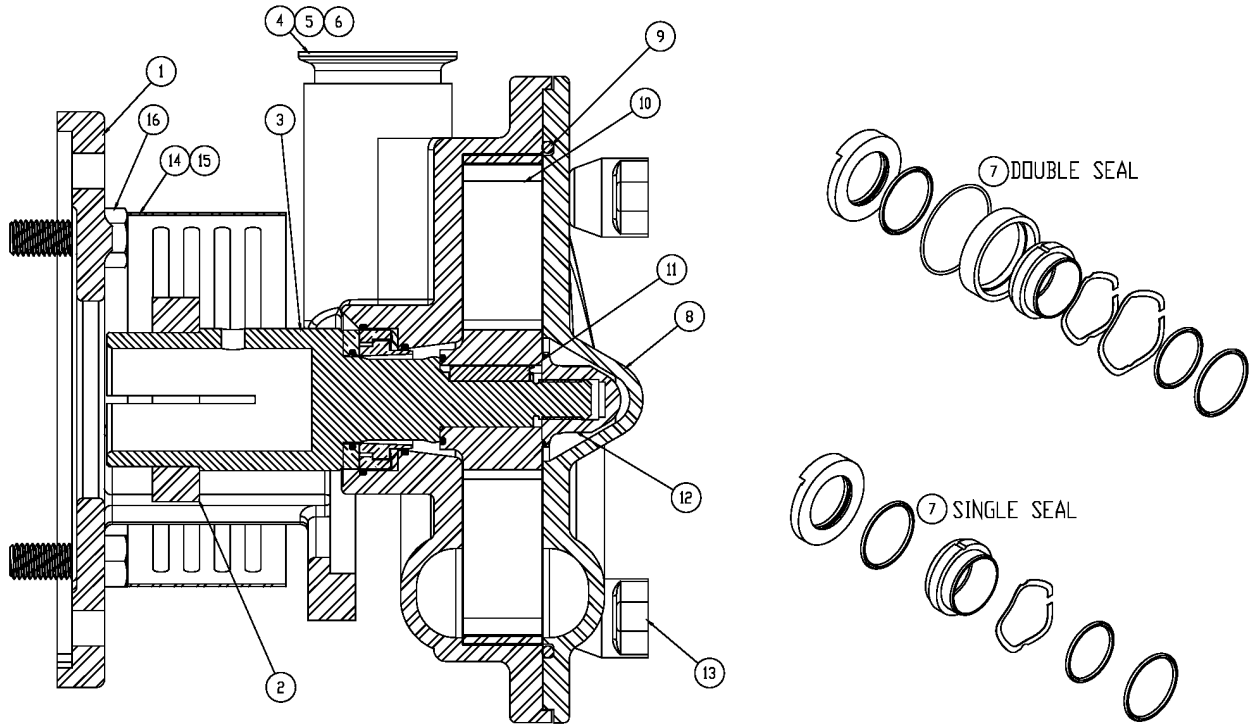
Ref #	Component Item No.	Description	Qty Per
1	SX10600097	ADAPTER,180-250TC FRAME SP	1
2	SX18000014	COLLAR,180TC,SHAFT LC	1
3	SX02000005	STUBSHAFT,180TC W/KEY SP	1
4	SV08610000	CASING,180-210TC,2 CLMP SP 210,215	1
5	GX10610400	CAPSCRW,HX,M12-1.75X30MM,18-8S HX HD	3
6	GX10610405	WASHER,LCK,1/2,18-8SS L SERIES	3
7	GS2600010-SC	KIT,SGL SEAL,C/N/V SP	1
	<i>GS2600012</i>	<i>KIT,SGL SEAL,C/C/V SP</i>	1
	<i>GS2600018-SC</i>	<i>KIT,DBL SEAL,C/N/N/V SP</i>	1
	<i>GS2600020</i>	<i>KIT,DBL SEAL,C/C/N/V SP</i>	1
8	SC08620000	COVER,210,2 CLAMP SP	1
9	GX80000334	GASKET,R20/31/V530,CVR,BUNA LC	1
10	SI08630000	IMPELLER,210/215 SP	1
11	SX15000018	KEY,210-220 SP	1
12	SI54000007	NUT,735,IMP,250TC-280TC	1
13	SX03000028	NUT,WING SP	3
14	SX10620036	GUARD,210-225,SHAFT SP	1
15	GX48104020	CAPSCRW,HX,1/4-28X3/8,18-8SS HX HD	2
16	SC1710H-SS	CAPSCRW,HX,1/2-13X1,18-8SS HX HD	4



Exploded View - Seal Only

Optional Items Shown in ITALICS

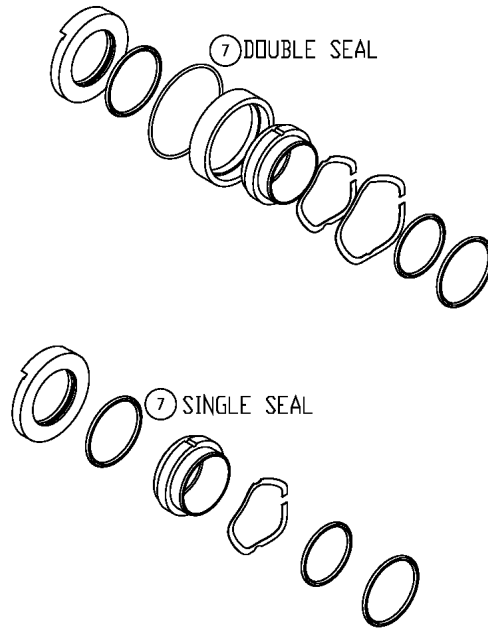
Ref #	Component Item No.	Description	Qty Per
7	GS2600010-SC	KIT,SGL SEAL,C/N/V SP	1
	<i>GS2600012</i>	<i>KIT,SGL SEAL,C/C/V SP</i>	<i>1</i>
	<i>GS2600018-SC</i>	<i>KIT,DBL SEAL,C/N/N/V SP</i>	<i>1</i>
	<i>GS2600020</i>	<i>KIT,DBL SEAL,C/C/N/V SP</i>	<i>1</i>



Exploded View

Optional Items Shown in ITALICS

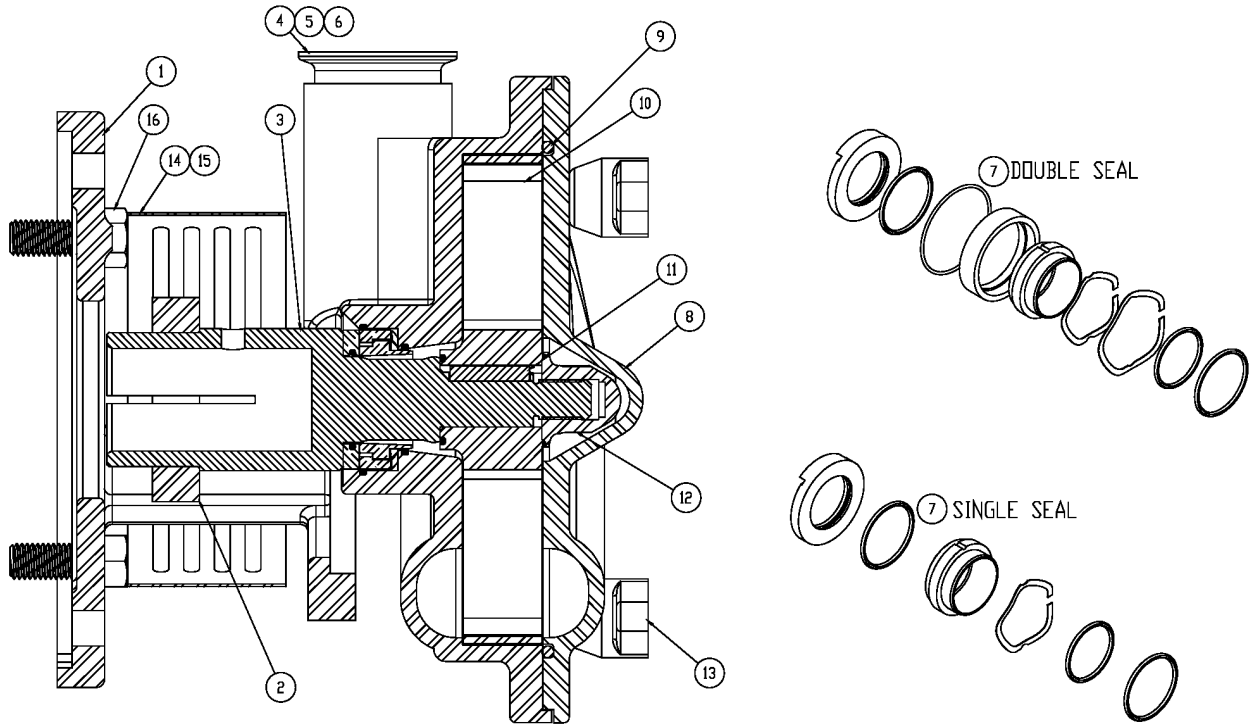
Ref #	Component Item No.	Description	Qty Per
1	SX10600097	ADAPTER,180-250TC FRAME SP	1
2	SX18000015	COLLAR,210TC,SHAFT LC	1
3	SX02000015	STUBSHAFT,210TC W/KEY SP	1
4	SV08610000	CASING,180-210TC,2 CLMP SP 210,215	1
5	GX10610400	CAPSCRW,HX,M12-1.75X30MM,18-8S HX HD	3
6	GX10610405	WASHER,LCK,1/2,18-8SS L SERIES	3
7	GS2600010-SC	KIT,SGL SEAL,C/N/V SP	1
	<i>GS2600012</i>	<i>KIT,SGL SEAL,C/C/V SP</i>	<i>1</i>
	<i>GS2600018-SC</i>	<i>KIT,DBL SEAL,C/N/N/V SP</i>	<i>1</i>
	<i>GS2600020</i>	<i>KIT,DBL SEAL,C/C/N/V SP</i>	<i>1</i>
8	SC08620000	COVER,210,2 CLAMP SP	1
9	GX80000334	GASKET,R20/31/V530,CVR,BUNA LC	1
10	SI08630000	IMPELLER,210/215 SP	1
11	SX15000018	KEY,210-220 SP	1
12	SI54000007	NUT,735,IMP,250TC-280TC	1
13	SX03000028	NUT,WING SP	3
14	SX10620036	GUARD,210-225,SHAFT SP	1
15	GX48104020	CAPSCRW,HX,1/4-28X3/8,18-8SS HX HD	2
16	SC1710H-SS	CAPSCRW,HX,1/2-13X1,18-8SS HX HD	4



Exploded View - Seal Only

Optional Items Shown in ITALICS

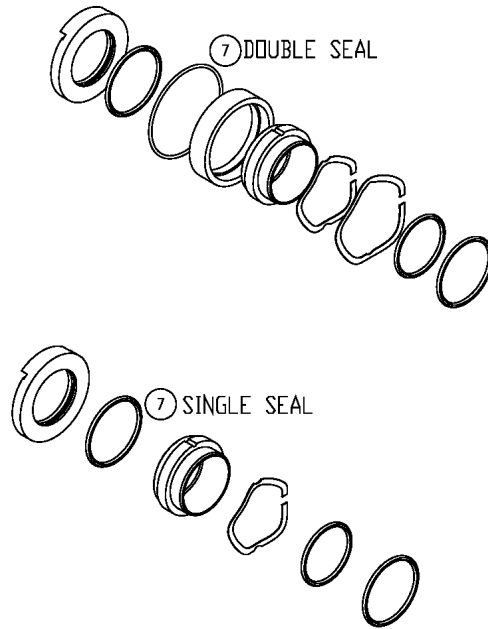
Ref #	Component Item No.	Description	Qty Per
7	GS2600010-SC	KIT,SGL SEAL,C/N/V SP	1
	<i>GS2600012</i>	<i>KIT,SGL SEAL,C/C/V SP</i>	<i>1</i>
	<i>GS2600018-SC</i>	<i>KIT,DBL SEAL,C/N/N/V SP</i>	<i>1</i>
	<i>GS2600020</i>	<i>KIT,DBL SEAL,C/C/N/V SP</i>	<i>1</i>



Exploded View

Optional Items Shown in ITALICS

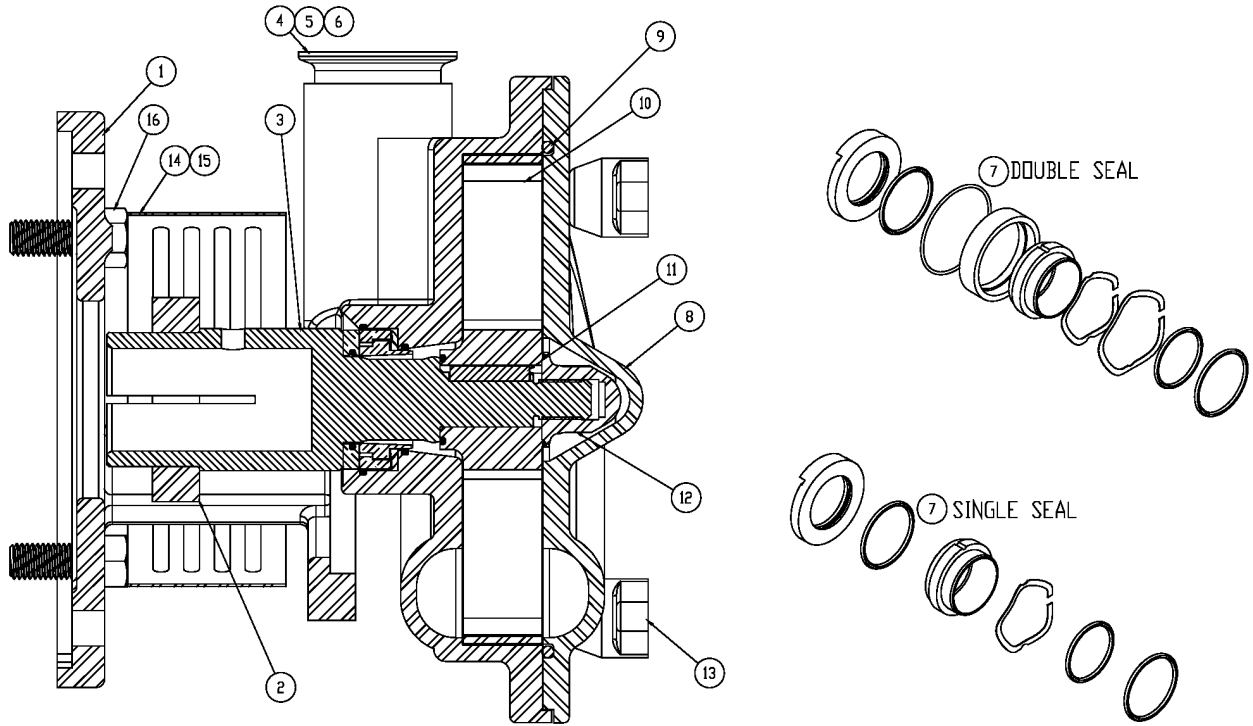
Ref #	Component Item No.	Description	Qty Per
1	SX10600897	***OBSOLETE*** ADAPTER,100/112 IEC FRAME	1
2	SX18000814	COLLAR,100/112 IEC,SHAFT,MTRIC	1
3	SX02000805	STUBSHAFT,100/112 IEC FRAME SP	1
4	SV08610000	CASING,180-210TC,2 CLMP SP 210,215	1
5	GX10610400	CAPSCRW,HX,M12-1.75X30MM,18-8S HX HD	3
6	GX10610405	WASHER,LCK,1/2,18-8SS L SERIES	3
7	GS2600010-SC	KIT,SGL SEAL,C/N/V SP	1
	<i>GS2600010-SC</i>	<i>KIT,SGL SEAL,C/N/V SP</i>	1
	<i>GS2600018-SC</i>	<i>KIT,DBL SEAL,C/N/N/V SP</i>	1
	<i>GS2600020</i>	<i>KIT,DBL SEAL,C/C/N/V SP</i>	1
8	SC08620000	COVER,210,2 CLAMP SP	1
9	GX80000334	GASKET,R20/31/V530,CVR,BUNA LC	1
10	SI08630000	IMPELLER,210/215 SP	1
11	SX15000018	KEY,210-220 SP	1
12	SI54000007	NUT,735,IMP,250TC-280TC	1
13	SX03000020-ACRN	NUT,ACRN,R,M12-1.75.18-8SS L/SP SERIES	3
14	SX10620836	GUARD,100/215/220,SHAFT SP 100/112/132 IEC	1
15	GX48104021	SCREW,THUMB,1/4-28X3/8,304SS L SERIES	2
16	GX5516145	CAPSCRW,HX,M14-2.0X55MM,18-8SS HX HD	4
17	GX5516010	WASHER,LOCK,M14,18-8SS	4
	GX5516015	WASHER,FLAT,M14,18-8SS	8
18	GX5516000	NUT,HEX,M14-2.0,18-8SS HEX NUT	4



Exploded View - Seal Only

Optional Items Shown in ITALICS

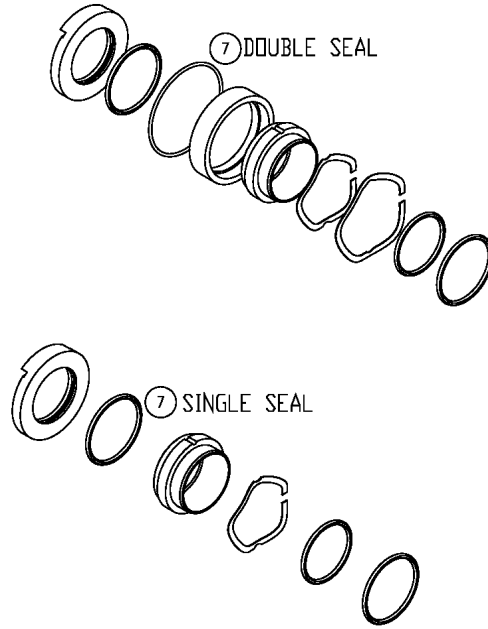
Ref #	Component Item No.	Description	Qty Per
7	GS2600010-SC	KIT,SGL SEAL,C/N/V SP	1
	<i>GS2600010-SC</i>	<i>KIT,SGL SEAL,C/N/V SP</i>	<i>1</i>
	<i>GS2600018-SC</i>	<i>KIT,DBL SEAL,C/N/N/V SP</i>	<i>1</i>
	<i>GS2600020</i>	<i>KIT,DBL SEAL,C/C/N/V SP</i>	<i>1</i>



Exploded View

Optional Items Shown in ITALICS

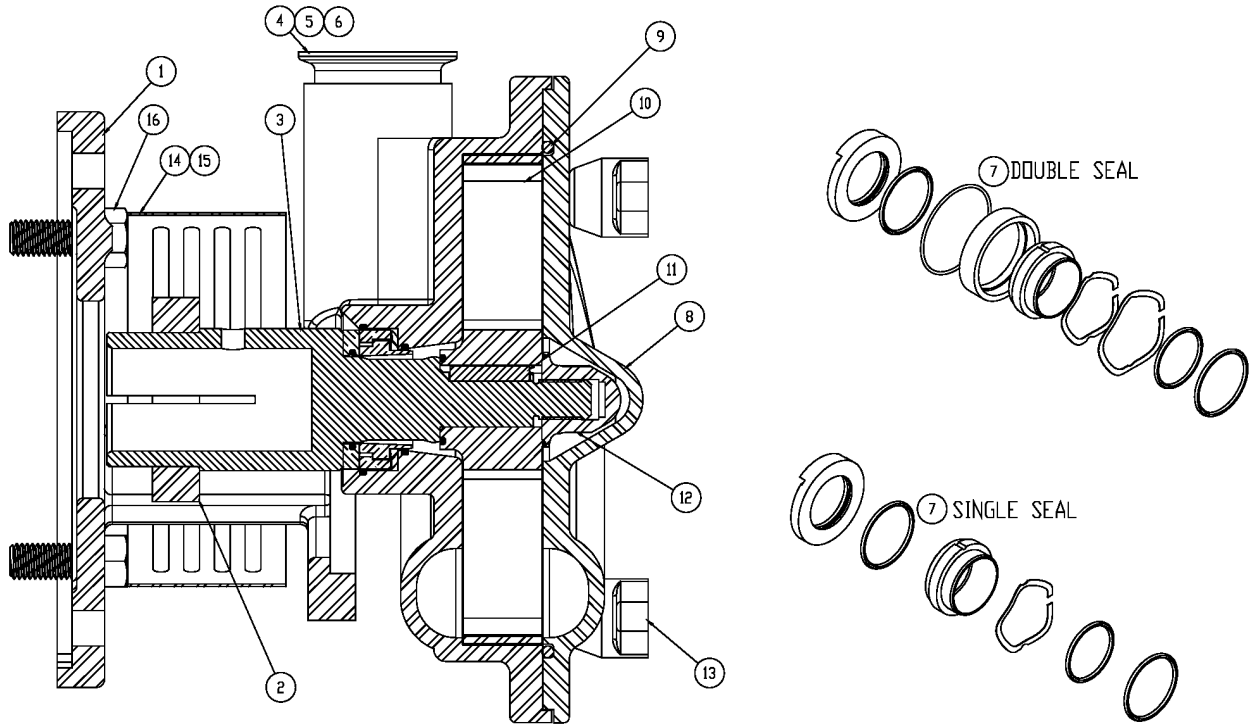
Ref #	Component Item No.	Description	Qty Per
1	SX10600097	ADAPTER,180-250TC FRAME SP	1
2	SX18000015	COLLAR,210TC,SHAFT LC	1
3	SX02000005	STUBSHAFT,180TC W/KEY SP	1
4	SV08610000	CASING,180-210TC,2 CLMP SP 210,215	1
5	GX10610400	CAPSCRW,HX,M12-1.75X30MM,18-8S HX HD	3
6	GX10610405	WASHER,LCK,1/2,18-8SS L SERIES	3
7	GS2600010-SC	KIT,SGL SEAL,C/N/V SP	1
	<i>GS2600010-SC</i>	<i>KIT,SGL SEAL,C/N/V SP</i>	<i>1</i>
	<i>GS2600018-SC</i>	<i>KIT,DBL SEAL,C/N/N/V SP</i>	<i>1</i>
	<i>GS2600020</i>	<i>KIT,DBL SEAL,C/C/N/V SP</i>	<i>1</i>
8	SC08620001	COVER,215,2 CLAMP SP	1
9	GX80000334	GASKET,R20/31/V530,CVR,BUNA LC	1
10	SI08630000	IMPELLER,210/215 SP	1
11	SX15000018	KEY,210-220 SP	1
12	SI54000007	NUT,735,IMP,250TC-280TC	1
13	SX03000028	NUT,WING SP	3
14	SX10620036	GUARD,210-225,SHAFT SP	1
15	GX48104020	CAPSCRW,HX,1/4-28X3/8,18-8SS HX HD	2
16	SC1710H-SS	CAPSCRW,HX,1/2-13X1,18-8SS HX HD	4



Exploded View - Seal Only

Optional Items Shown in ITALICS

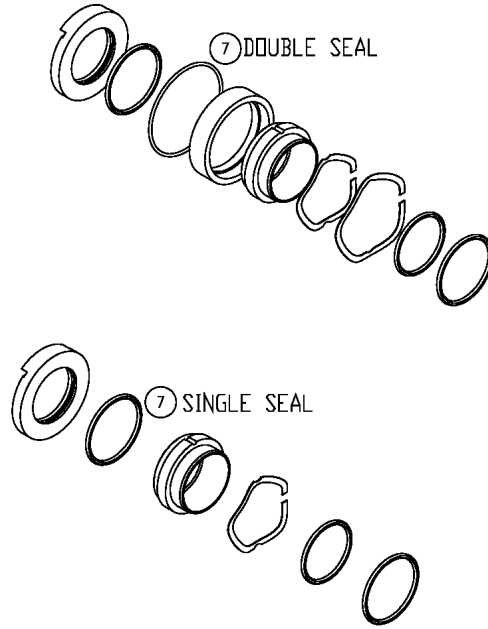
Ref #	Component Item No.	Description	Qty Per
7	GS2600010-SC	KIT,SGL SEAL,C/N/V SP	1
	<i>GS2600010-SC</i>	<i>KIT,SGL SEAL,C/N/V SP</i>	<i>1</i>
	<i>GS2600018-SC</i>	<i>KIT,DBL SEAL,C/N/N/V SP</i>	<i>1</i>
	<i>GS2600020</i>	<i>KIT,DBL SEAL,C/C/N/V SP</i>	<i>1</i>



Exploded View

Optional Items Shown in ITALICS

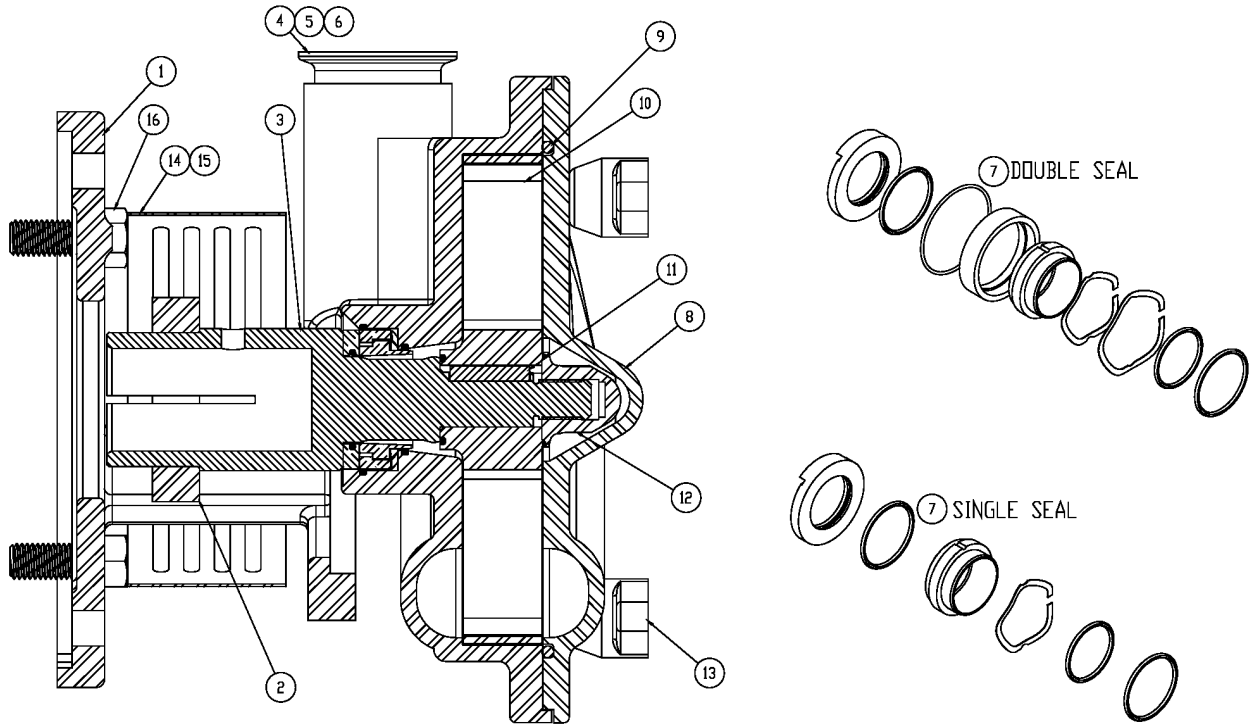
Ref #	Component Item No.	Description	Qty Per
1	SX10600097	ADAPTER,180-250TC FRAME SP	1
2	SX18000015	COLLAR,210TC,SHAFT LC	1
3	SX02000015	STUBSHAFT,210TC W/KEY SP	1
4	SV08610000	CASING,180-210TC,2 CLMP SP 210,215	1
5	GX10610400	CAPSCRW,HX,M12-1.75X30MM,18-8S HX HD	3
6	GX10610405	WASHER,LCK,1/2,18-8SS L SERIES	3
7	GS2600010-SC	KIT,SGL SEAL,C/N/V SP	1
	<i>GS2600010-SC</i>	<i>KIT,SGL SEAL,C/N/V SP</i>	1
	<i>GS2600018-SC</i>	<i>KIT,DBL SEAL,C/N/N/V SP</i>	1
	<i>GS2600020</i>	<i>KIT,DBL SEAL,C/C/N/V SP</i>	1
8	SC08620001	COVER,215,2 CLAMP SP	1
9	GX80000334	GASKET,R20/31/V530,CVR,BUNA LC	1
10	SI08630000	IMPELLER,210/215 SP	1
11	SX15000018	KEY,210-220 SP	1
12	SI54000007	NUT,735,IMP,250TC-280TC	1
13	SX03000028	NUT,WING SP	3
14	SX10620036	GUARD,210-225,SHAFT SP	1
15	GX48104020	CAPSCRW,HX,1/4-28X3/8,18-8SS HX HD	2
16	SC1710H-SS	CAPSCRW,HX,1/2-13X1,18-8SS HX HD	4



Exploded View - Seal Only

Optional Items Shown in ITALICS

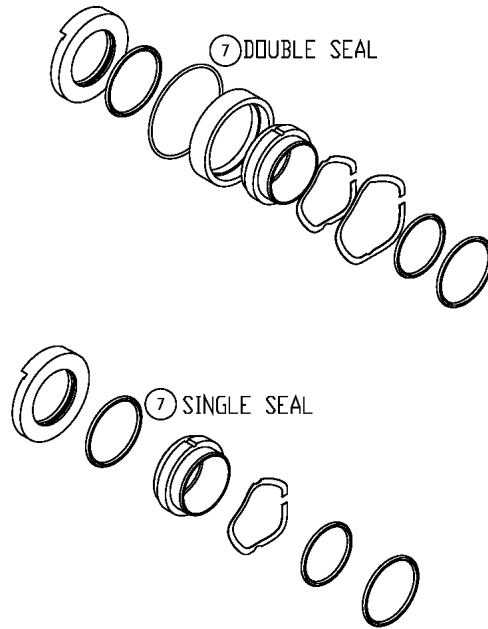
Ref #	Component Item No.	Description	Qty Per
7	GS2600010-SC	KIT,SGL SEAL,C/N/V SP	1
	<i>GS2600010-SC</i>	<i>KIT,SGL SEAL,C/N/V SP</i>	<i>1</i>
	<i>GS2600018-SC</i>	<i>KIT,DBL SEAL,C/N/N/V SP</i>	<i>1</i>
	<i>GS2600020</i>	<i>KIT,DBL SEAL,C/C/N/V SP</i>	<i>1</i>



Exploded View

Optional Items Shown in ITALICS

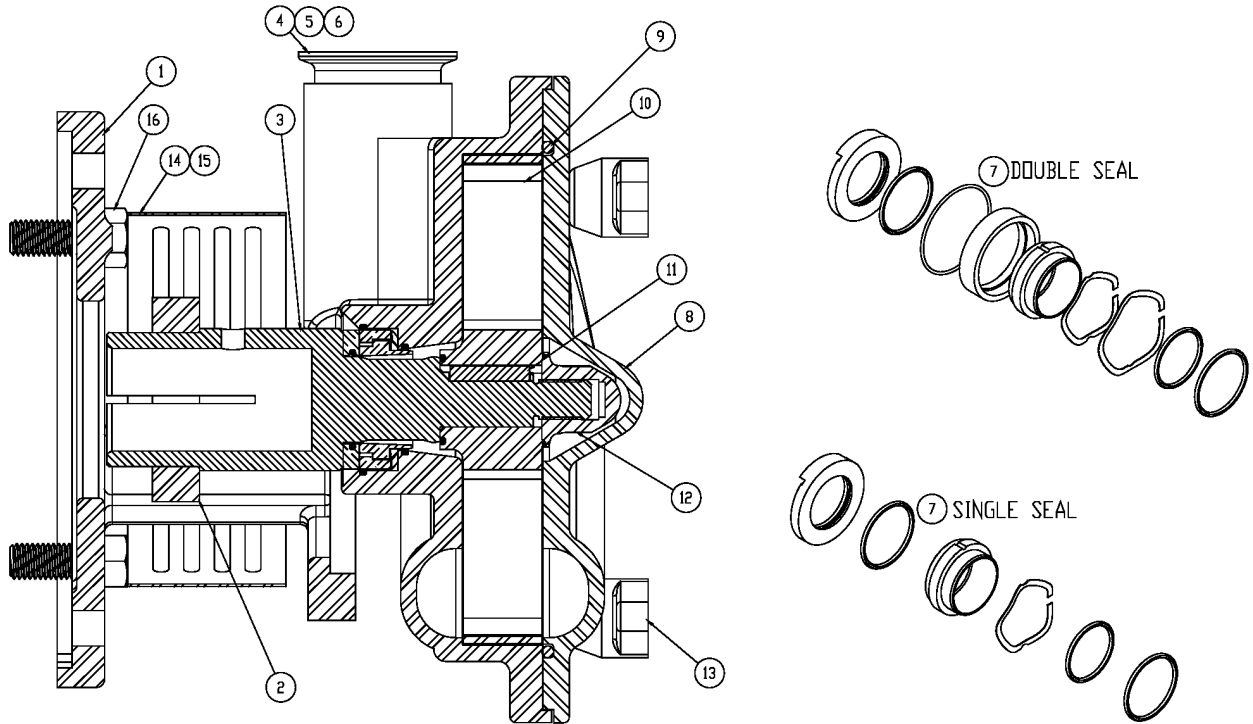
Ref #	Component Item No.	Description	Qty Per
1	SX10600898	ADAPTER,132 IEC FRAME SP	1
2	SX18000815	COLLAR,132 IEC,SHAFT,MTRIC	1
3	SX02000815	STUBSHAFT,132 IEC FRAME SP	1
4	SV08610000	CASING,180-210TC,2 CLMP SP 210,215	1
5	GX10610400	CAPSCRW,HX,M12-1.75X30MM,18-8S HX HD	3
6	GX10610405	WASHER,LCK,1/2,18-8SS L SERIES	3
7	GS2600010-SC	KIT,SGL SEAL,C/N/V SP	1
	<i>GS2600010-SC</i>	<i>KIT,SGL SEAL,C/N/V SP</i>	1
	<i>GS2600018-SC</i>	<i>KIT,DBL SEAL,C/N/N/V SP</i>	1
	<i>GS2600020</i>	<i>KIT,DBL SEAL,C/C/N/V SP</i>	1
8	SC08620001	COVER,215,2 CLAMP SP	1
9	GX80000334	GASKET,R20/31/V530,CVR,BUNA LC	1
10	SI08630000	IMPELLER,210/215 SP	1
11	SX15000018	KEY,210-220 SP	1
12	SI54000007	NUT,735,IMP,250TC-280TC	1
13	SX03000020-ACRN	NUT,ACRN,R,M12-1.75.18-8SS L/SP SERIES	3
14	SX10620836	GUARD,100/215/220,SHAFT SP 100/112/132 IEC	1
15	GX48104021	SCREW,THUMB,1/4-28X3/8,304SS L SERIES	2
16	GX5516145	CAPSCRW,HX,M14-2.0X55MM,18-8SS HX HD	4
17	GX5516010	WASHER,LOCK,M14,18-8SS	4
	GX5516015	WASHER,FLAT,M14,18-8SS	8
18	GX5516000	NUT,HEX,M14-2.0,18-8SS HEX NUT	4



Exploded View - Seal Only

Optional Items Shown in ITALICS

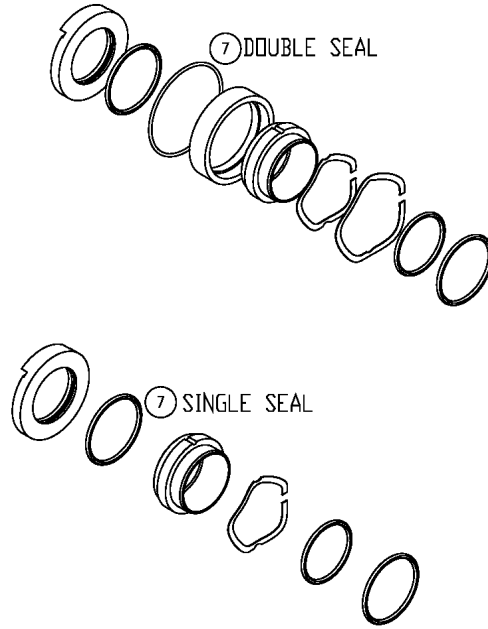
Ref #	Component Item No.	Description	Qty Per
7	GS2600010-SC	KIT,SGL SEAL,C/N/V SP	1
	<i>GS2600010-SC</i>	<i>KIT,SGL SEAL,C/N/V SP</i>	<i>1</i>
	<i>GS2600018-SC</i>	<i>KIT,DBL SEAL,C/N/N/V SP</i>	<i>1</i>
	<i>GS2600020</i>	<i>KIT,DBL SEAL,C/C/N/V SP</i>	<i>1</i>



Exploded View

Optional Items Shown in ITALICS

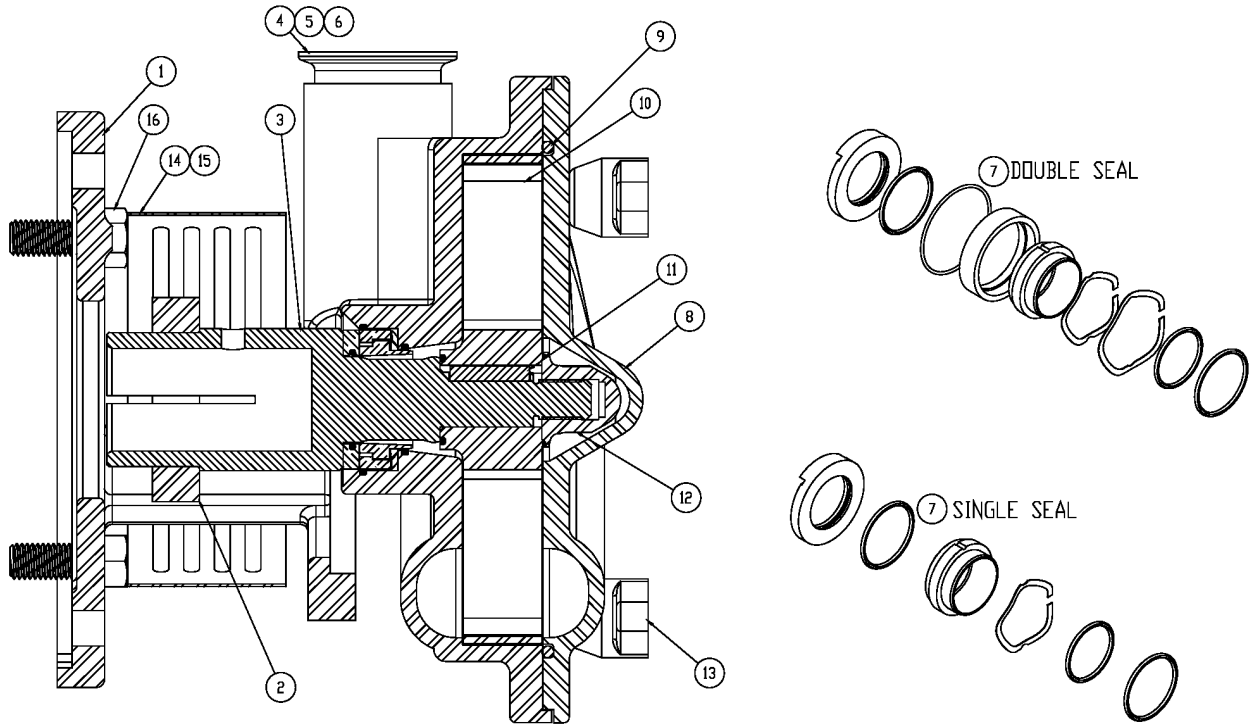
Ref #	Component Item No.	Description	Qty Per
1	SX10600097	ADAPTER,180-250TC FRAME SP	1
2	SX18000015	COLLAR,210TC,SHAFT LC	1
3	SX02000015	STUBSHAFT,210TC W/KEY SP	1
4	SV12610000	CASING,210-250TC,2 CLMP SP 220	1
5	GX10610400	CAPSCRW,HX,M12-1.75X30MM,18-8S HX HD	3
6	GX10610405	WASHER,LCK,1/2,18-8SS L SERIES	3
7	GS2600010-SC	KIT,SGL SEAL,C/N/V SP	1
	<i>GS2600010-SC</i>	<i>KIT,SGL SEAL,C/N/V SP</i>	<i>1</i>
	<i>GS2600018-SC</i>	<i>KIT,DBL SEAL,C/N/N/V SP</i>	<i>1</i>
	<i>GS2600020</i>	<i>KIT,DBL SEAL,C/C/N/V SP</i>	<i>1</i>
8	SC12620000	COVER,220,2 CLAMP SP	1
9	GX80000336	GASKET,V540,CVR,BUNA LC	1
10	SI12630000	IMPELLER,220 SP	1
11	SX15000018	KEY,210-220 SP	1
12	SI54000007	NUT,735,IMP,250TC-280TC	1
13	SX03000028	NUT,WING SP	4
14	SX10620036	GUARD,210-225,SHAFT SP	1
15	GX48104020	CAPSCRW,HX,1/4-28X3/8,18-8SS HX HD	2
16	SC1710H-SS	CAPSCRW,HX,1/2-13X1,18-8SS HX HD	4



Exploded View - Seal Only

Optional Items Shown in ITALICS

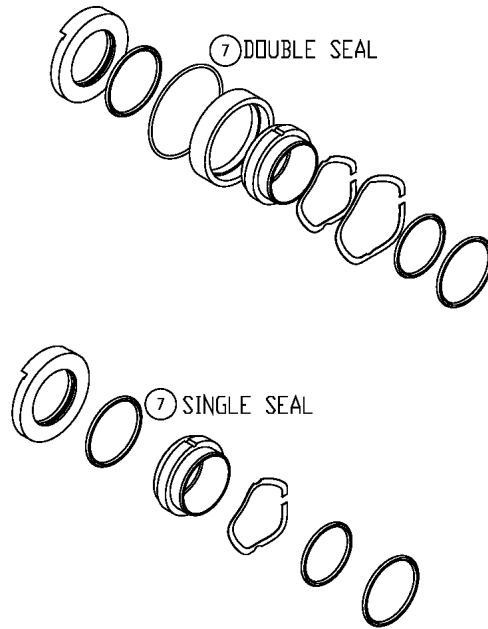
Ref #	Component Item No.	Description	Qty Per
7	GS2600010-SC	KIT,SGL SEAL,C/N/V SP	1
	<i>GS2600010-SC</i>	<i>KIT,SGL SEAL,C/N/V SP</i>	<i>1</i>
	<i>GS2600018-SC</i>	<i>KIT,DBL SEAL,C/N/N/V SP</i>	<i>1</i>
	<i>GS2600020</i>	<i>KIT,DBL SEAL,C/C/N/V SP</i>	<i>1</i>



Exploded View

Optional Items Shown in ITALICS

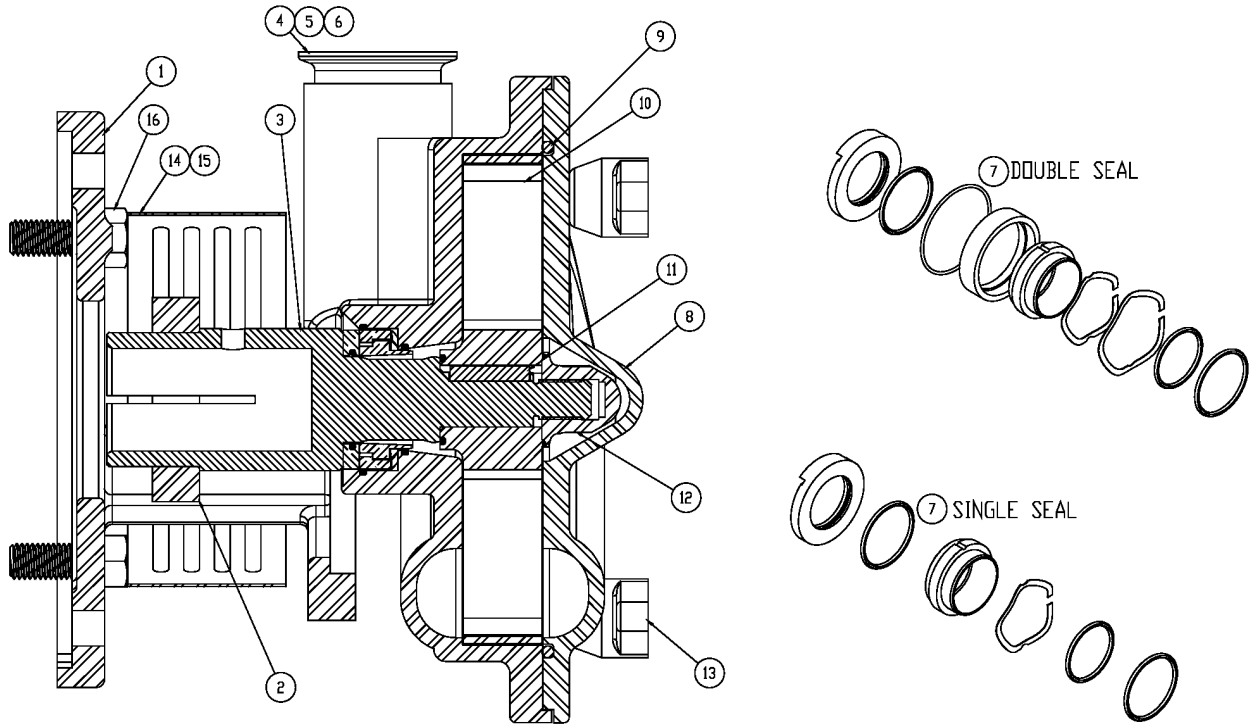
Ref #	Component Item No.	Description	Qty Per
1	SX10600097	ADAPTER,180-250TC FRAME SP	1
2	SX18000016	COLLAR,250TC/280TSC,SHAFT LC	1
3	SX02000023	STUBSHAFT,250TC W/KEY SP	1
4	SV12610000	CASING,210-250TC,2 CLMP SP 220	1
5	GX10610400	CAPSCRW,HX,M12-1.75X30MM,18-8S HX HD	3
6	GX10610405	WASHER,LCK,1/2,18-8SS L SERIES	3
7	GS2600010-SC	KIT,SGL SEAL,C/N/V SP	1
	<i>GS2600010-SC</i>	<i>KIT,SGL SEAL,C/N/V SP</i>	<i>1</i>
	<i>GS2600018-SC</i>	<i>KIT,DBL SEAL,C/N/N/V SP</i>	<i>1</i>
	<i>GS2600020</i>	<i>KIT,DBL SEAL,C/C/N/V SP</i>	<i>1</i>
8	SC12620000	COVER,220,2 CLAMP SP	1
9	GX80000336	GASKET,V540,CVR,BUNA LC	1
10	SI12630000	IMPELLER,220 SP	1
11	SX15000018	KEY,210-220 SP	1
12	SI54000007	NUT,735,IMP,250TC-280TC	1
13	SX03000028	NUT,WING SP	4
14	SX10620036	GUARD,210-225,SHAFT SP	1
15	GX48104020	CAPSCRW,HX,1/4-28X3/8,18-8SS HX HD	2
16	SC1710H-SS	CAPSCRW,HX,1/2-13X1,18-8SS HX HD	4



Exploded View - Seal Only

Optional Items Shown in ITALICS

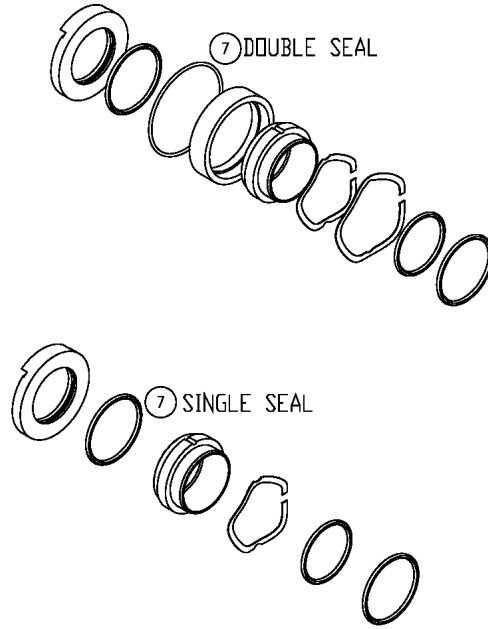
Ref #	Component Item No.	Description	Qty Per
7	GS2600010-SC	KIT,SGL SEAL,C/N/V SP	1
	<i>GS2600010-SC</i>	<i>KIT,SGL SEAL,C/N/V SP</i>	<i>1</i>
	<i>GS2600018-SC</i>	<i>KIT,DBL SEAL,C/N/N/V SP</i>	<i>1</i>
	<i>GS2600020</i>	<i>KIT,DBL SEAL,C/C/N/V SP</i>	<i>1</i>



Exploded View

Optional Items Shown in ITALICS

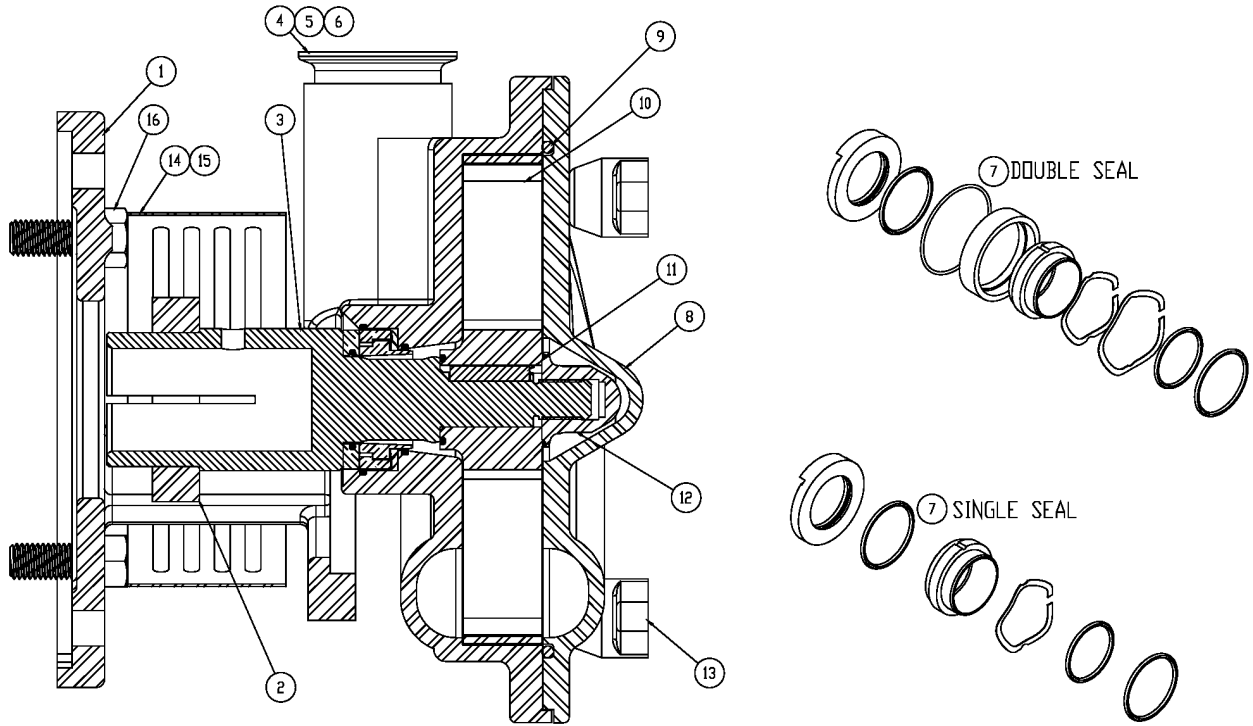
Ref #	Component Item No.	Description	Qty Per
1	SX10600898	ADAPTER,132 IEC FRAME SP	1
2	SX18000815	COLLAR,132 IEC,SHAFT,MTRIC	1
3	SX02000815	STUBSHAFT,132 IEC FRAME SP	1
4	SV12610000	CASING,210-250TC,2 CLMP SP 220	1
5	GX10610400	CAPSCRW,HX,M12-1.75X30MM,18-8S HX HD	3
6	GX10610405	WASHER,LCK,1/2,18-8SS L SERIES	3
7	GS2600010-SC	KIT,SGL SEAL,C/N/V SP	1
	<i>GS2600010-SC</i>	<i>KIT,SGL SEAL,C/N/V SP</i>	<i>1</i>
	<i>GS2600018-SC</i>	<i>KIT,DBL SEAL,C/N/N/V SP</i>	<i>1</i>
	<i>GS2600020</i>	<i>KIT,DBL SEAL,C/C/N/V SP</i>	<i>1</i>
8	SC12620000	COVER,220,2 CLAMP SP	1
9	GX80000336	GASKET,V540,CVR,BUNA LC	1
10	SI12630000	IMPELLER,220 SP	1
11	SX15000018	KEY,210-220 SP	1
12	SI54000007	NUT,735,IMP,250TC-280TC	1
13	SX03000020-ACRN	NUT,ACRN,R,M12-1.75.18-8SS L/SP SERIES	4
14	SX10620836	GUARD,100/215/220,SHAFT SP 100/112/132 IEC	1
15	GX48104021	SCREW,THUMB,1/4-28X3/8,304SS L SERIES	2
16	GX5516145	CAPSCRW,HX,M14-2.0X55MM,18-8SS HX HD	4
17	GX5516010	WASHER,LOCK,M14,18-8SS	4
	GX5516015	WASHER,FLAT,M14,18-8SS	8
18	GX5516000	NUT,HEX,M14-2.0,18-8SS HEX NUT	4



Exploded View - Seal Only

Optional Items Shown in ITALICS

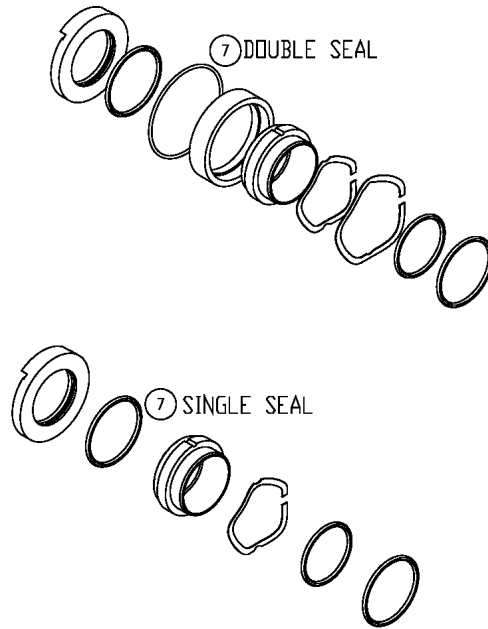
Ref #	Component Item No.	Description	Qty Per
7	GS2600010-SC	KIT,SGL SEAL,C/N/V SP	1
	<i>GS2600010-SC</i>	<i>KIT,SGL SEAL,C/N/V SP</i>	<i>1</i>
	<i>GS2600018-SC</i>	<i>KIT,DBL SEAL,C/N/N/V SP</i>	<i>1</i>
	<i>GS2600020</i>	<i>KIT,DBL SEAL,C/C/N/V SP</i>	<i>1</i>



Exploded View

Optional Items Shown in ITALICS

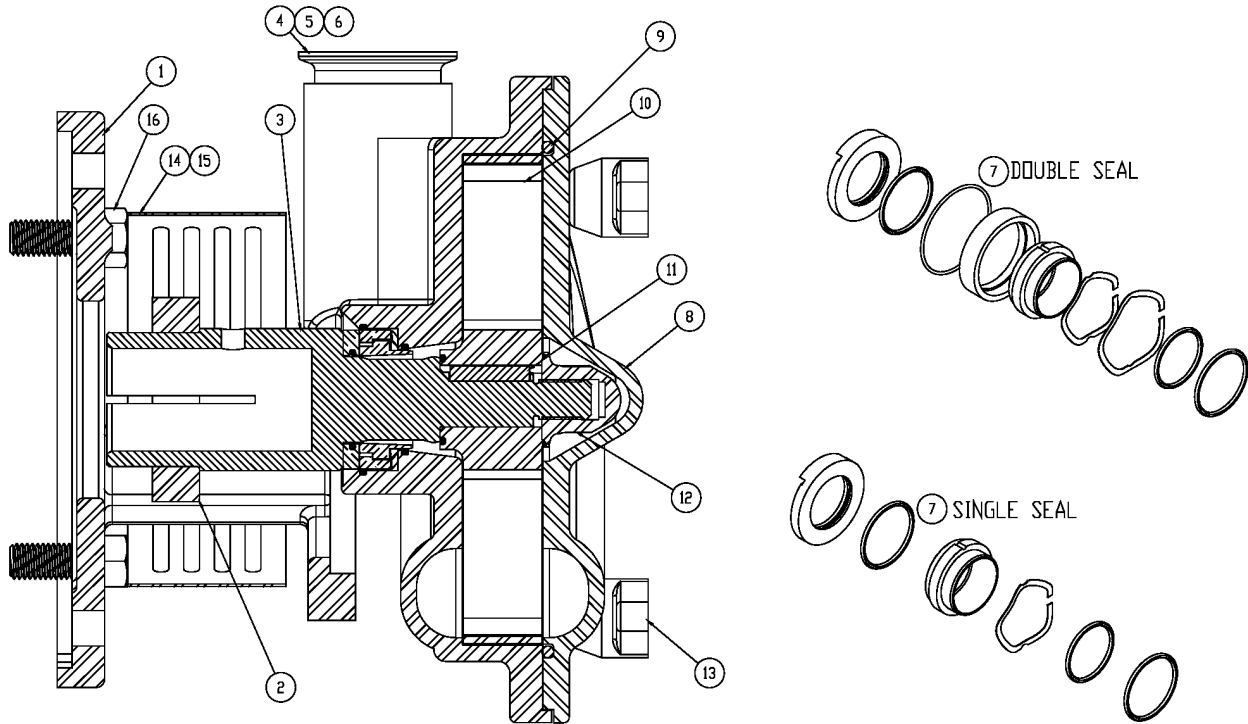
Ref #	Component Item No.	Description	Qty Per
1	SX10600097	ADAPTER,180-250TC FRAME SP	1
2	SX18000015	COLLAR,210TC,SHAFT LC	1
3	SX02000015	STUBSHAFT,210TC W/KEY SP	1
4	SV14610000-SP	CASING,210-250TC,2-1/2 CLMP SP 225	1
5	GX10610400	CAPSCRW,HX,M12-1.75X30MM,18-8S HX HD	3
6	GX10610405	WASHER,LCK,1/2,18-8SS L SERIES	3
7	GS2600010-SC	KIT,SGL SEAL,C/N/V SP	1
	<i>GS2600010-SC</i>	<i>KIT,SGL SEAL,C/N/V SP</i>	<i>1</i>
	<i>GS2600018-SC</i>	<i>KIT,DBL SEAL,C/N/N/V SP</i>	<i>1</i>
	<i>GS2600020</i>	<i>KIT,DBL SEAL,C/C/N/V SP</i>	<i>1</i>
8	SC14620000	COVER,225,2-1/2 CLAMP LC	1
9	GX80000363	GASKET,225,CVR,BUNA SP, ORING SIZE 369	1
10	SI14630000	IMPELLER,225 SP	1
11	SX15000018	KEY,210-220 SP	1
12	SI54000007	NUT,735,IMP,250TC-280TC	1
13	SX03000028	NUT,WING SP	5
14	SX10620036	GUARD,210-225,SHAFT SP	1
15	GX48104020	CAPSCRW,HX,1/4-28X3/8,18-8SS HX HD	2
16	SC1710H-SS	CAPSCRW,HX,1/2-13X1,18-8SS HX HD	4



Exploded View - Seal Only

Optional Items Shown in ITALICS

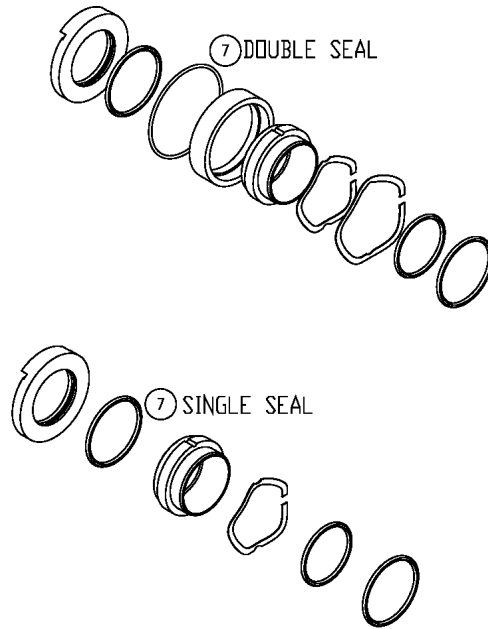
Ref #	Component Item No.	Description	Qty Per
7	GS2600010-SC	KIT,SGL SEAL,C/N/V SP	1
	<i>GS2600010-SC</i>	<i>KIT,SGL SEAL,C/N/V SP</i>	<i>1</i>
	<i>GS2600018-SC</i>	<i>KIT,DBL SEAL,C/N/N/V SP</i>	<i>1</i>
	<i>GS2600020</i>	<i>KIT,DBL SEAL,C/C/N/V SP</i>	<i>1</i>



Exploded View

Optional Items Shown in ITALICS

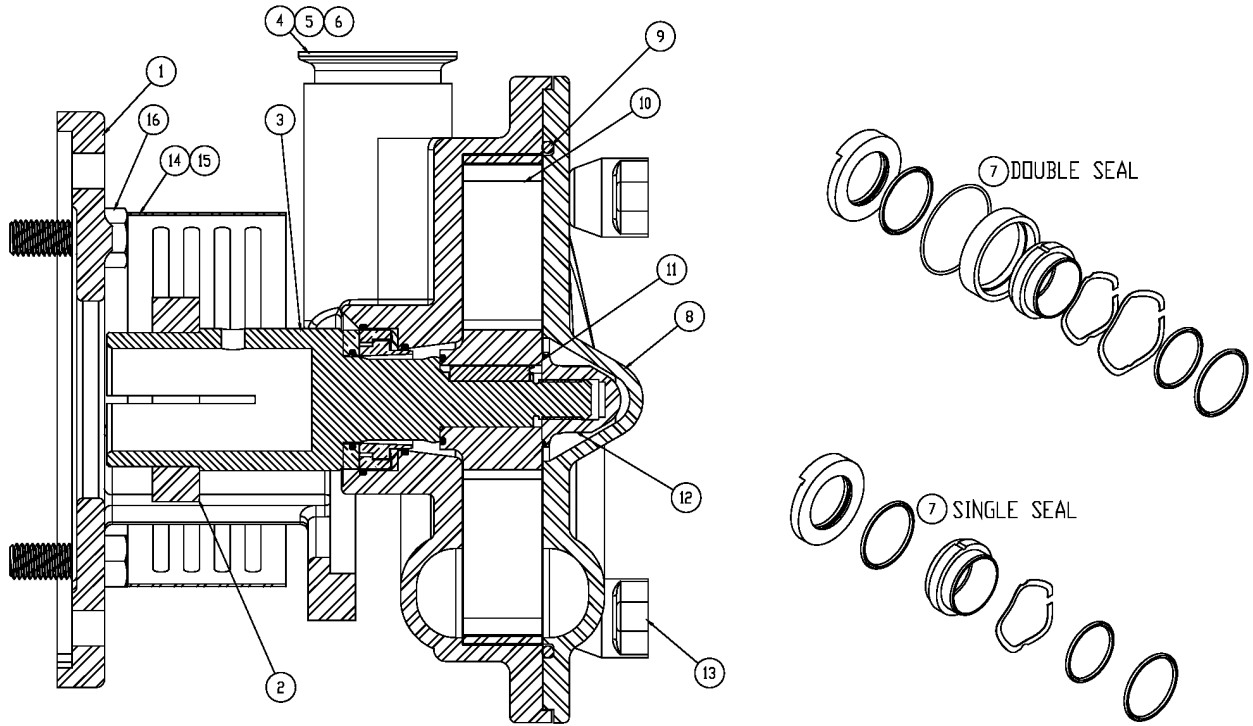
Ref #	Component Item No.	Description	Qty Per
1	SX10600097	ADAPTER,180-250TC FRAME SP	1
2	SX18000016	COLLAR,250TC/280TSC,SHAFT LC	1
3	SX02000023	STUBSHAFT,250TC W/KEY SP	1
4	SV14610000-SP	CASING,210-250TC,2-1/2 CLMP SP 225	1
5	GX10610400	CAPSCRW,HX,M12-1.75X30MM,18-8S HX HD	3
6	GX10610405	WASHER,LCK,1/2,18-8SS L SERIES	3
7	GS2600010-SC	KIT,SGL SEAL,C/N/V SP	1
	<i>GS2600010-SC</i>	<i>KIT,SGL SEAL,C/N/V SP</i>	<i>1</i>
	<i>GS2600018-SC</i>	<i>KIT,DBL SEAL,C/N/N/V SP</i>	<i>1</i>
	<i>GS2600020</i>	<i>KIT,DBL SEAL,C/C/N/V SP</i>	<i>1</i>
8	SC14620000	COVER,225,2-1/2 CLAMP SP	1
9	GX80000363	GASKET,225,CVR,BUNA SP, ORING SIZE 369	1
10	SI14630000	IMPELLER,225 SP	1
11	SX15000018	KEY,210-220 SP	1
12	SI54000007	NUT,735,IMP,250TC-280TC	1
13	SX03000028	NUT,WING SP	5
14	SX10620036	GUARD,210-225,SHAFT SP	1
15	GX48104020	CAPSCRW,HX,1/4-28X3/8,18-8SS HX HD	2
16	SC1710H-SS	CAPSCRW,HX,1/2-13X1,18-8SS HX HD	4



Exploded View - Seal Only

Optional Items Shown in ITALICS

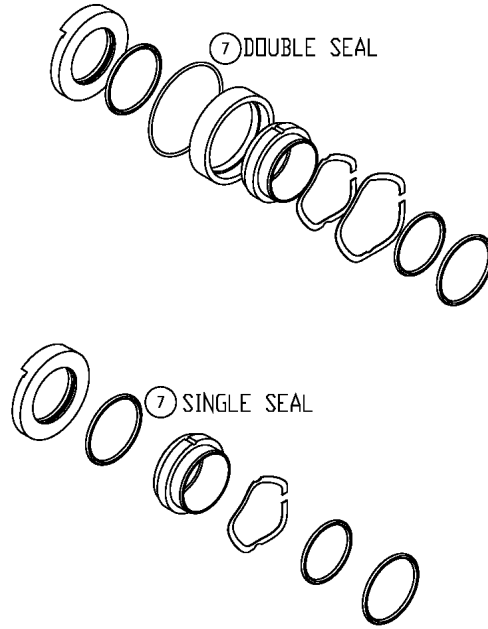
Ref #	Component Item No.	Description	Qty Per
7	GS2600010-SC	KIT,SGL SEAL,C/N/V SP	1
	<i>GS2600010-SC</i>	<i>KIT,SGL SEAL,C/N/V SP</i>	<i>1</i>
	<i>GS2600018-SC</i>	<i>KIT,DBL SEAL,C/N/N/V SP</i>	<i>1</i>
	<i>GS2600020</i>	<i>KIT,DBL SEAL,C/C/N/V SP</i>	<i>1</i>



Exploded View

Optional Items Shown in ITALICS

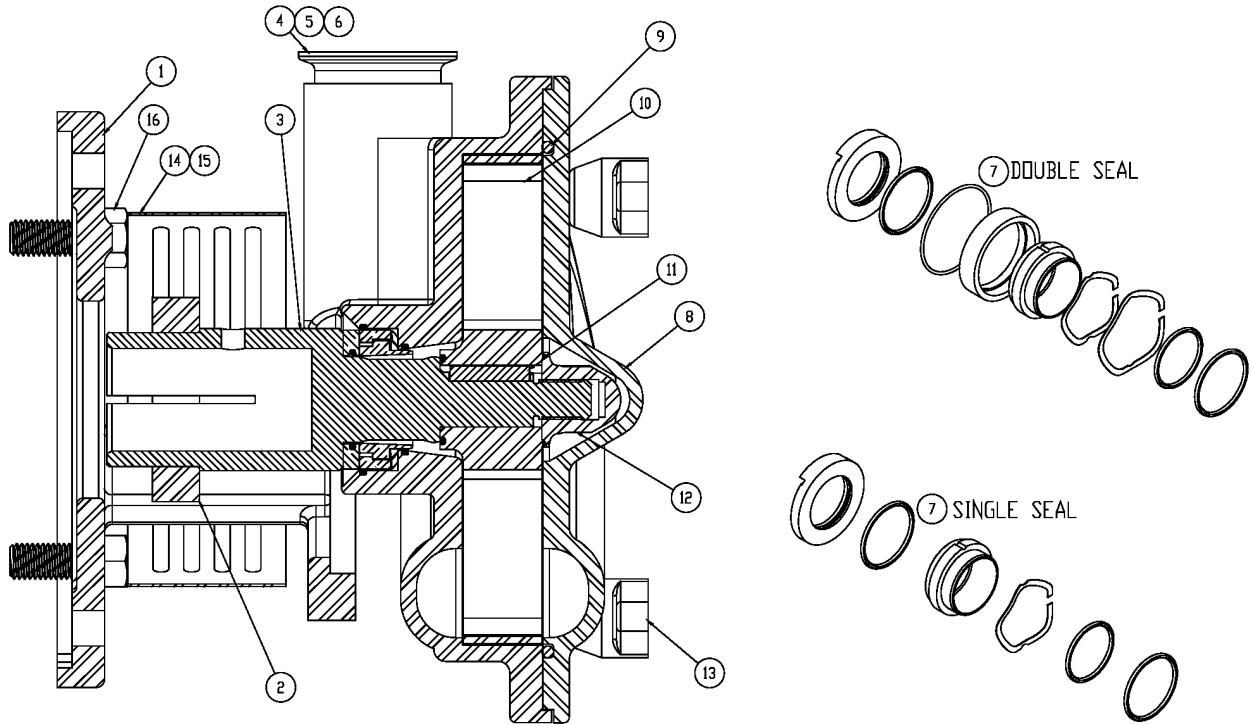
Ref #	Component Item No.	Description	Qty Per
1	SX10600098	ADAPTER,280 FRAME,MODIFIED SP	1
	SX8206542	PLATE,ADAPTR,280 TC SP	1
2	SX18000027	COLLAR,280TC/320TSC,SHAFT LC	1
3	SX02000280	STUBSHAFT,280TC W/KEY SP	1
4	SV14610000-SP	CASING,210-250TC,2-1/2 CLMP SP 225	1
5	GX10610400	CAPSCRW,HX,M12-1.75X30MM,18-8S HX HD	3
6	GX10610405	WASHER,LCK,1/2,18-8SS L SERIES	3
7	GS2600010-SC	KIT,SGL SEAL,C/N/V SP	1
	<i>GS2600010-SC</i>	<i>KIT,SGL SEAL,C/N/V SP</i>	1
	<i>GS2600018-SC</i>	<i>KIT,DBL SEAL,C/N/N/V SP</i>	1
	<i>GS2600020</i>	<i>KIT,DBL SEAL,C/C/N/V SP</i>	1
8	SC14620000	COVER,225,2-1/2 CLAMP SP	1
9	GX80000363	GASKET,225,CVR,BUNA SP, ORING SIZE 369	1
10	SI14630000	IMPELLER,225 SP	1
11	SX15000018	KEY,210-220 SP	1
12	SI54000007	NUT,735,IMP,250TC-280TC	1
13	SX03000028	NUT,WING SP	5
14	SX10620036	GUARD,210-225,SHAFT SP	1
15	GX48104020	CAPSCRW,HX,1/4-28X3/8,18-8SS HX HD	2
16	SC1710H-SS	CAPSCRW,HX,1/2-13X1,18-8SS HX HD	8



Exploded View - Seal Only

Optional Items Shown in ITALICS

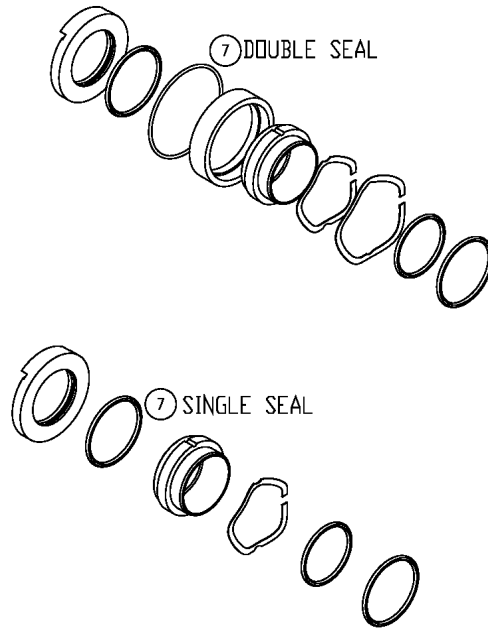
Ref #	Component Item No.	Description	Qty Per
7	GS2600010-SC	KIT,SGL SEAL,C/N/V SP	1
	<i>GS2600010-SC</i>	<i>KIT,SGL SEAL,C/N/V SP</i>	<i>1</i>
	<i>GS2600018-SC</i>	<i>KIT,DBL SEAL,C/N/N/V SP</i>	<i>1</i>
	<i>GS2600020</i>	<i>KIT,DBL SEAL,C/C/N/V SP</i>	<i>1</i>



Exploded View

Optional Items Shown in ITALICS

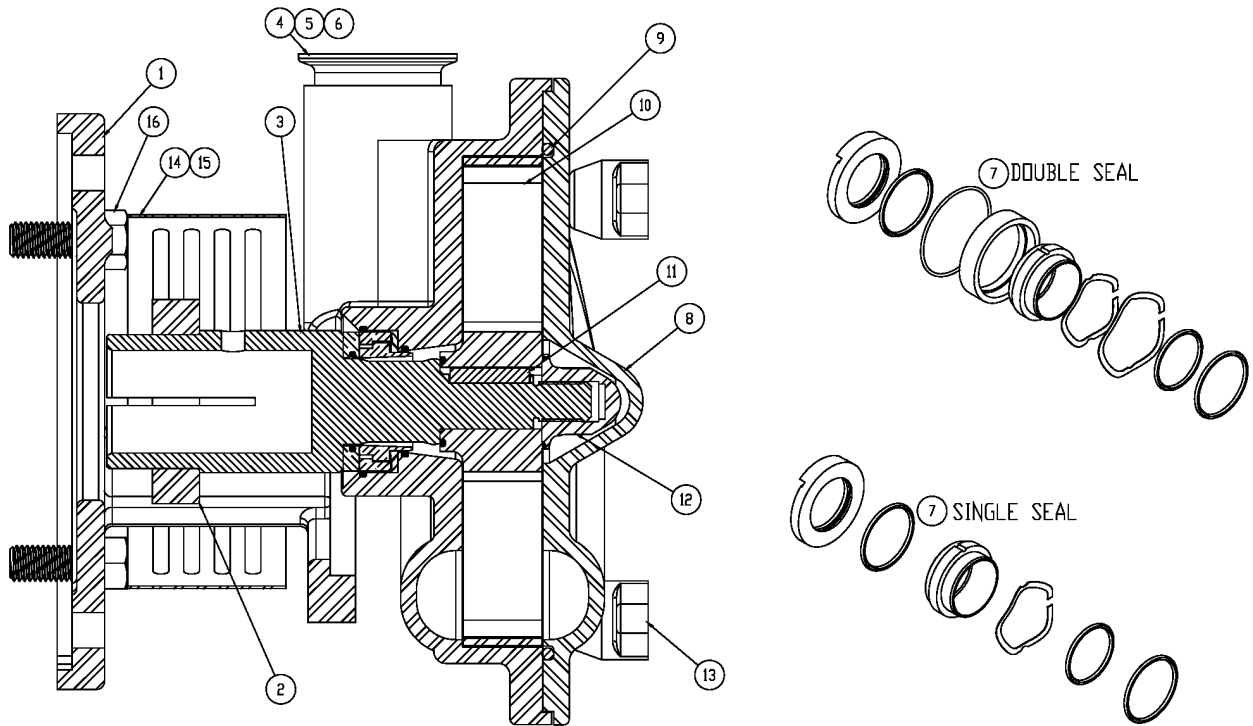
Ref #	Component Item No.	Description	Qty Per
1	SX10600899	ADAPTER,160 IEC FRAME SP	1
2	SX18000816	COLLAR,160,IEC,SHAFT,MTRIC	1
3	SX02000823	STUBSHAFT,160 IEC FRAME SP	1
4	SV14610000-SP	CASING,210-250TC,2-1/2 CLMP SP 225	1
5	GX10610400	CAPSCRW,HX,M12-1.75X30MM,18-8S HX HD	3
6	GX10610405	WASHER,LCK,1/2,18-8SS L SERIES	3
7	GS2600010-SC	KIT,SGL SEAL,C/N/V SP	1
	<i>GS2600010-SC</i>	<i>KIT,SGL SEAL,C/N/V SP</i>	<i>1</i>
	<i>GS2600018-SC</i>	<i>KIT,DBL SEAL,C/N/N/V SP</i>	<i>1</i>
	<i>GS2600020</i>	<i>KIT,DBL SEAL,C/C/N/V SP</i>	<i>1</i>
8	SC14620000	COVER,225,2-1/2 CLAMP SP	1
9	GX80000363	GASKET,225,CVR,BUNA SP, ORING SIZE 369	1
10	SI14630000	IMPELLER,225 SP	1
11	SX15000018	KEY,210-220 SP	1
12	SI54000007	NUT,735,IMP,250TC-280TC	1
13	SX03000020-ACRN	NUT,ACRN,R,M12-1.75.18-8SS L/SP SERIES	5
14	SX10620837	GUARD,225,SHAFT,160IEC SP	1
15	GX48104021	SCREW,THUMB,1/4-28X3/8,304SS L SERIES	2
16	GX5518170	CAPSCRW,HX,M18-2.5X70MM,18-8SS HX HD	4
17	GX5518010	WASHER,LOCK,M18,18-8SS	4
	GX5518015	WASHER,FLAT,M18,18-8SS	8
18	GX5518000	NUT,HEX,M18-2.5,18-8SS HEX NUT	4



Exploded View - Seal Only

Optional Items Shown in ITALICS

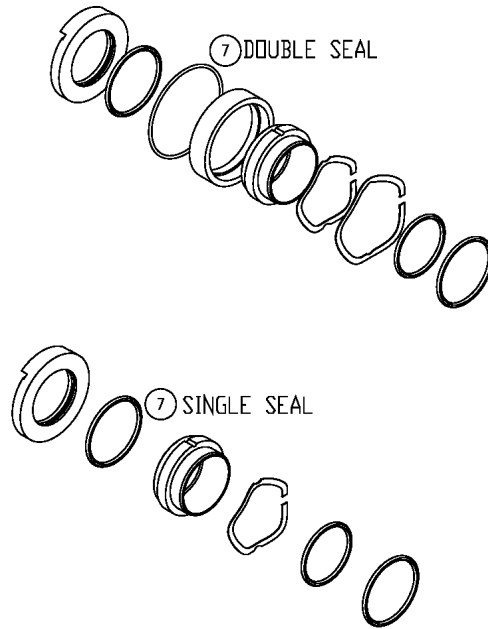
Ref #	Component Item No.	Description	Qty Per
7	GS2600010-SC	KIT,SGL SEAL,C/N/V SP	1
	<i>GS2600010-SC</i>	<i>KIT,SGL SEAL,C/N/V SP</i>	<i>1</i>
	<i>GS2600018-SC</i>	<i>KIT,DBL SEAL,C/N/N/V SP</i>	<i>1</i>
	<i>GS2600020</i>	<i>KIT,DBL SEAL,C/C/N/V SP</i>	<i>1</i>



Exploded View

Optional Items Shown in ITALICS

Ref #	Component Item No.	Description	Qty Per
1	SX10600899	ADAPTER,160 IEC FRAME SP	1
2	SX18000027	COLLAR,280TC/320TSC,SHAFT LC	1
3	SX02000830	STUBSHAFT,180 IEC FRAME SP	1
4	SV14610000-SP	CASING,210-250TC,2-1/2 CLMP SP 225	1
5	GX10610400	CAPSCRW,HX,M12-1.75X30MM,18-8S HX HD	3
6	GX10610405	WASHER,LCK,1/2,18-8SS L SERIES	3
7	GS2600010-SC	KIT,SGL SEAL,C/N/V SP	1
	<i>GS2600010-SC</i>	<i>KIT,SGL SEAL,C/N/V SP</i>	<i>1</i>
	<i>GS2600018-SC</i>	<i>KIT,DBL SEAL,C/N/N/V SP</i>	<i>1</i>
	<i>GS2600020</i>	<i>KIT,DBL SEAL,C/C/N/V SP</i>	<i>1</i>
8	SC14620000	COVER,225,2-1/2 CLAMP SP	1
9	GX80000363	GASKET,225,CVR,BUNA SP, ORING SIZE 369	1
10	SI14630000	IMPELLER,225 SP	1
11	SX15000018	KEY,210-220 SP	1
12	SI54000007	NUT,735,IMP,250TC-280TC	1
13	SX03000020-ACRN	NUT,ACRN,R,M12-1.75.18-8SS L/SP SERIES	5
14	SX10620837	GUARD,225,SHAFT,160IEC SP	1
15	GX48104021	SCREW,THUMB,1/4-28X3/8,304SS L SERIES	2
16	GX5518170	CAPSCRW,HX,M18-2.5X70MM,18-8SS HX HD	4
17	GX5518010	WASHER,LOCK,M18,18-8SS	4
	GX5518015	WASHER,FLAT,M18,18-8SS	8
18	GX5518000	NUT,HEX,M18-2.5,18-8SS HEX NUT	4



Exploded View - Seal Only

Optional Items Shown in ITALICS

Ref #	Component Item No.	Description	Qty Per
7	GS2600010-SC	KIT,SGL SEAL,C/N/V SP	1
	<i>GS2600010-SC</i>	<i>KIT,SGL SEAL,C/N/V SP</i>	<i>1</i>
	<i>GS2600018-SC</i>	<i>KIT,DBL SEAL,C/N/N/V SP</i>	<i>1</i>
	<i>GS2600020</i>	<i>KIT,DBL SEAL,C/C/N/V SP</i>	<i>1</i>