

# SALES & ENGINEERING DATA

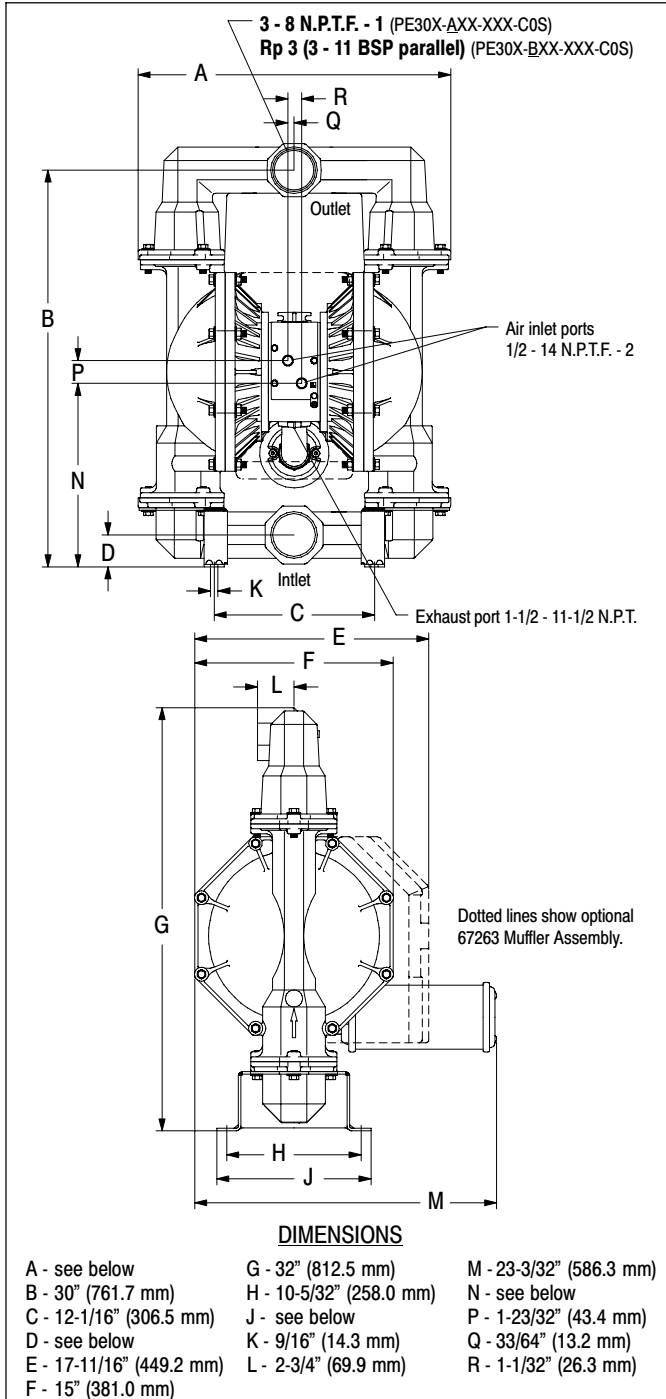
## PE30A-XXX-XXX-C0S and PE30S-XXX-XXX-C0S 3" Metallic Diaphragm Pump

RATIO SERIES: **1:1**

FLUID P.S.I. RANGE: **20 - 120**

RELEASED: 12-12-06  
REVISED: 6-10-10  
(REV. 02) S-1404

### DIMENSIONAL DATA



### SPECIFICATIONS

#### CONSTRUCTION

Model Series	PE30A-XXX-XXX-C0S
	PE30S-XXX-XXX-C0S
Pump Type	Metallic, Air Operated, Double Diaphragm
Ratio	1:1
Material Inlet / Outlet (female)	
PE30X-AXX-XXX-C0S	3 - 8 N.P.T.F. - 1
PE30X-BXX-XXX-C0S	Rp 3 (3 - 11 BSP parallel)
Air Inlet (female)	1/2 - 14 N.P.T.F. - 2
Air Exhaust (female)	1-1/2 - 11-1/2 N.P.T.
Weight	
PE30A-XAX-XXX-C0S	126.5 lbs (57.4 kgs)
PE30A-XCX-XXX-C0S	213.6 lbs (96.9 kgs)
PE30A-XHX-XXX-C0S	246.8 lbs (111.9 kgs)
PE30A-XSX-XXX-C0S	225.8 lbs (102.4 kgs)
	[add 36.2 lbs (16.4 kgs) for stainless steel air motor section]
Air Section Service Kit	637421
Fluid Section Service Kit	637303-XX

PE30X-XXX- X X X -C0S

637303 - X X

Diaphragm Material  
Ball Material

EXAMPLE: Model #PE30A-ACS-SAA-C0S

Fluid Section Service Kit is 637303-AA

#### PERFORMANCE

Air Inlet Pressure Range	20 - 120 p.s.i. (1.4 - 8.3 bar)
Maximum Material Inlet Pressure	10 p.s.i. (0.69 bar)
Fluid Outlet Pressure Range	20 - 120 p.s.i. (1.4 - 8.3 bar)
Maximum Flow Rate	237 g.p.m. (897 l.p.m.)
flooded inlet	275 g.p.m. (1,041 l.p.m.)
Maximum Particle Size	3/8" dia. (9.5 mm)
Maximum Temperature Limits (diaphragm / ball / seal material)	
E.P.R. / EPDM	-60° to 280° F (-51° to 138° C)
Hytrel	-20° to 150° F (-29° to 66° C)
Nitrile	10° to 180° F (-12° to 82° C)
Kynar PVDF	10° to 200° F (-12° to 93° C)
Santoprene	-40° to 225° F (-40° to 107° C)
PTFE	40° to 225° F (4° to 107° C)
Viton	-40° to 350° F (-40° to 177° C)
Displacement / Cycle @ 100 p.s.i.	2.8 gal. (10.6 lit.)
Noise Level @ 70 p.s.i. - 50 c.p.m.①	83.0 db(A)②

① Tested with 67263 muffler assembly installed.

② The pump sound pressure level has been updated to an Equivalent Continuous Sound Level (L<sub>Aeq</sub>) to meet the intent of ANSI S1. 13-1971, CAGI-PNEUROPS S5.1 using four microphone locations.

#### ACCESSORIES:

67263 Continuous Muffler  
94117 Int. Muffler

	"A"	"D"	"J"	"N"
PE30X-XAX-XXX-C0S	23-5/8" (598.7 mm)	2-3/8" (60.3 mm)	11" (279.4 mm)	13-27/32" (351.5 mm)
PE30X-XCX-XXX-C0S	23-5/8" (598.7 mm)	2-7/16" (61.1 mm)	11-11/16" (296.1 mm)	13-7/8" (352.2 mm)
PE30X-XHX-XXX-C0S	23-1/8" (587.3 mm)	2-3/4" (69.9 mm)	11-11/16" (296.1 mm)	14-1/4" (361.4 mm)
PE30X-XSX-XXX-C0S	23-1/8" (587.3 mm)	2-3/4" (69.9 mm)	11-11/16" (296.1 mm)	14-1/4" (361.4 mm)

NOTE: Dimensions are shown in inches and (mm) and are supplied for reference only.

INGERSOLL RAND COMPANY LTD  
209 NORTH MAIN STREET - BRYAN, OHIO 43506

☎ (800) 495-0276 • FAX(800) 892-6276  
www.ingersollrandproducts.com

© 2010

CCN 15277585

# ARO

**IR** Ingersoll Rand  
Industrial Technologies

**PERFORMANCE CURVES**

**PE30A-XXX-XXX-C0S / PE30S-XXX-XXX-C0S 3" METALLIC DIAPHRAGM PUMP**

