

BALDOR® • ***RELIANCE***

Product Information Packet

CEM3660T

3HP,3470RPM,3PH,60HZ,182TC,0620M,TEFC,F1

Part Detail							
Revision:	B	Status:	PRD/A	Change #:		Proprietary:	No
Type:	AC	Prod. Type:	0618M	Elec. Spec:	06WGY471	CD Diagram:	CD0005
Enclosure:	TEFC	Mfg Plant:		Mech. Spec:	06F057	Layout:	06LYF057
Frame:	182TC	Mounting:	F1	Poles:	02	Created Date:	01-21-2016
Base:	RG	Rotation:	R	Insulation:	F	Eff. Date:	08-24-2016
Leads:	9#16					Replaced By:	
Literature:		Elec. Diagram:					

Nameplate NP1259L										
CAT.NO.	CEM3660T									
SPEC.	06F057Y471G1									
HP	3									
VOLTS	230/460									
AMP	7.6/3.8									
RPM	3470									
FRAME	182TC				HZ	60			PH	3
SER.F.	1.15		CODE	K	DES	B		CL	F	
NEMA-NOM-EFF	86.5		PF	89						
RATING	40C AMB-CONT									
CC	010A				USABLE AT 208V			8.2		
DE	6206				ODE	6205				
ENCL	TEFC		SN							

Parts List		
Part Number	Description	Quantity
SA314382	SA 06F057Y471G1	1.000 EA
RA301862	RA 06F057Y471G1	1.000 EA
34FN3002B02	EXTERNAL FAN, PLASTIC, .905/.907 HUB W/	1.000 EA
HW3201A05	3/8-16 EYEBOLT	1.000 EA
06CB3000	BALDOR CONDUIT BOX CAST	1.000 EA
06GS1000	GASKET,CONDUIT BOX	1.000 EA
51XW2520A12	SCREW, HEX SER SLT HD, ZN, 1/4-20 X .75	2.000 EA
11XW1032G06	10-32 X .38, TAPTITE II, HEX WSHR SLTD U	1.000 EA
HW3001B01	BRASS CUP WASHER, FOR #8 SCREW	1.000 EA
36FE1101A21	FREP ASSEMBLY FOR ROUTING PURPOSES	1.000 EA
HW4500A01	1641B(ALEMITE)400 UNIV, GREASE FITT	1.000 EA
HW4500A17	317400 ALEMITE GREASE RELIEF	1.000 EA
HW5100A05	WVY WSHR F/205 & 304 BRGS	1.000 EA
36PE1300A13	PU ENDPLATE, FOR ROUTING PURPOSES	1.000 EA
HW4500A01	1641B(ALEMITE)400 UNIV, GREASE FITT	1.000 EA
HW4500A17	317400 ALEMITE GREASE RELIEF	1.000 EA
10XN2520A26	1/4-20X 1 5/8 HEX HD	4.000 EA
HW1001A25	LOCKWASHER 1/4, ZINC PLT .493 OD, .255 I	4.000 EA
HA3101A34	THRUBOLT- 1/4-20 X 10.375	4.000 EA
51XB1214A16	12-14X1.00 HXWSSLD SERTYB	1.000 EA
36FH4009A31	IEC FH W/GREASER & SPL NOTCH, W/ PRIMER	1.000 EA
51XW1032A06	10-32 X .38, TAPTITE II, HEX WSHR SLTD S	3.000 EA
06CB3500	BALDOR CONDUIT BOX LID	1.000 EA
06GS1001	BALDOR CONDUIT BOX GASKET	1.000 EA

Parts List (continued)		
Part Number	Description	Quantity
51XW2520A12	.25-20 X .75, TAPTITE II, HEX WSHR SLTD	2.000 EA
HW2501E16	3KEY, 1/4 SQ X 1.750	1.000 EA
HA7000A02	KEY RETAINER RING, 1 1/8 DIA, 1 3/8 DIA	1.000 EA
85XU0407S04	4X1/4 U DRIVE PIN STAINLESS	2.000 EA
LB1115N	LABEL,LIFTING DEVICE (ON ROLLS)	1.000 EA
MJ1000A02	GREASE, POLYREX EM EXXON (USe 4824-15A)	0.050 LB
MG1000Y03	MUNSELL 2.53Y 6.70/ 4.60, GLOSS 20,	0.028 GA
LC0005E01	CONN.DIA./WARNING LABEL (LC0005/LB1119N)	1.000 EA
NP1259L	ALUM SUPER-E UL CSA-EEV CC NEMA PREMIUM	1.000 EA
36PA1001	PKG GRP, PRINT PK1017A06	1.000 EA
MN416A01	TAG-INSTAL-MAINT no wire (1200/bx) 11/14	1.000 EA

AC Induction Motor Performance Data

Record # 55359 - Typical performance - not guaranteed values

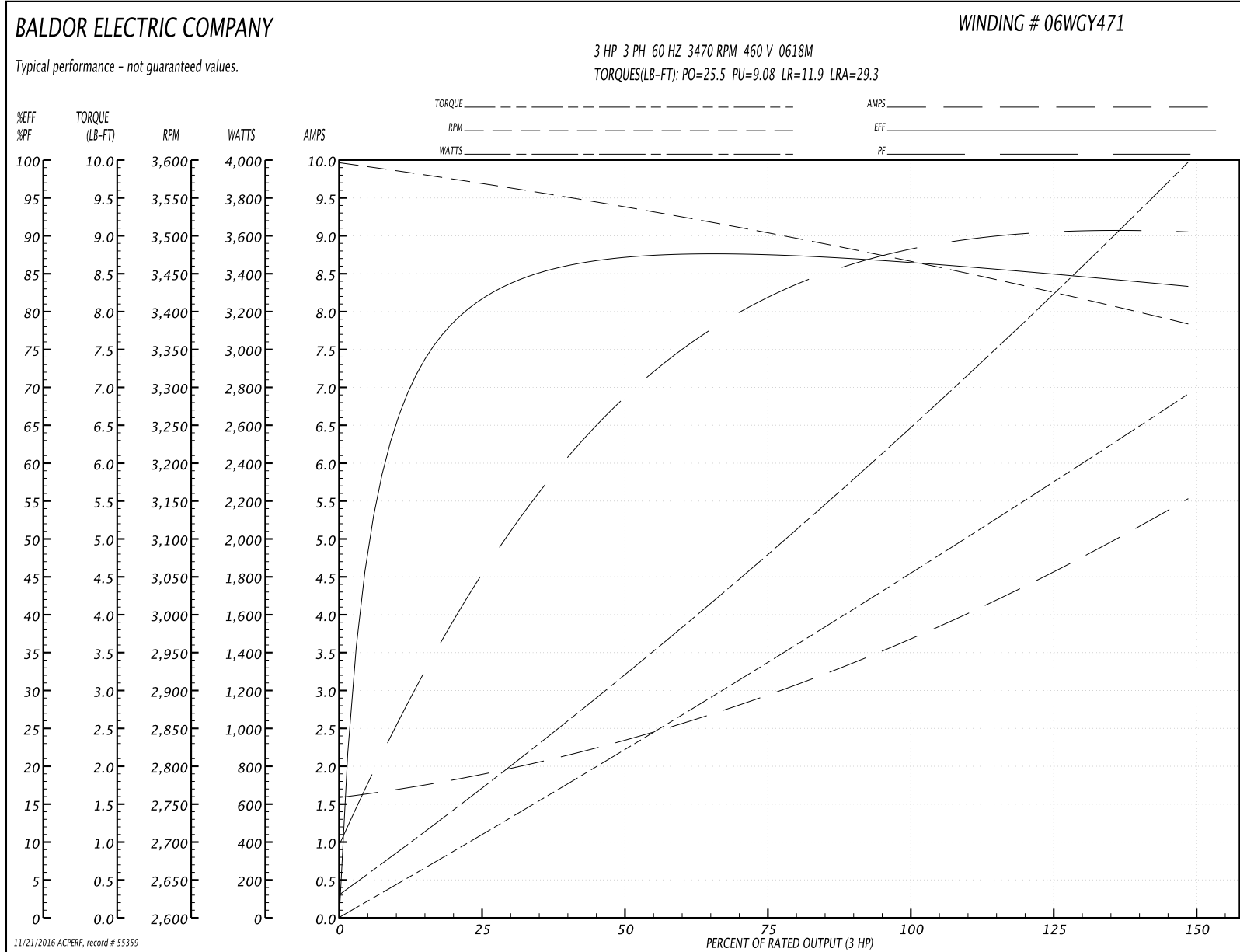
Winding: 06WGY471-R001	Type: 0618M	Enclosure: TEFC
-------------------------------	--------------------	------------------------

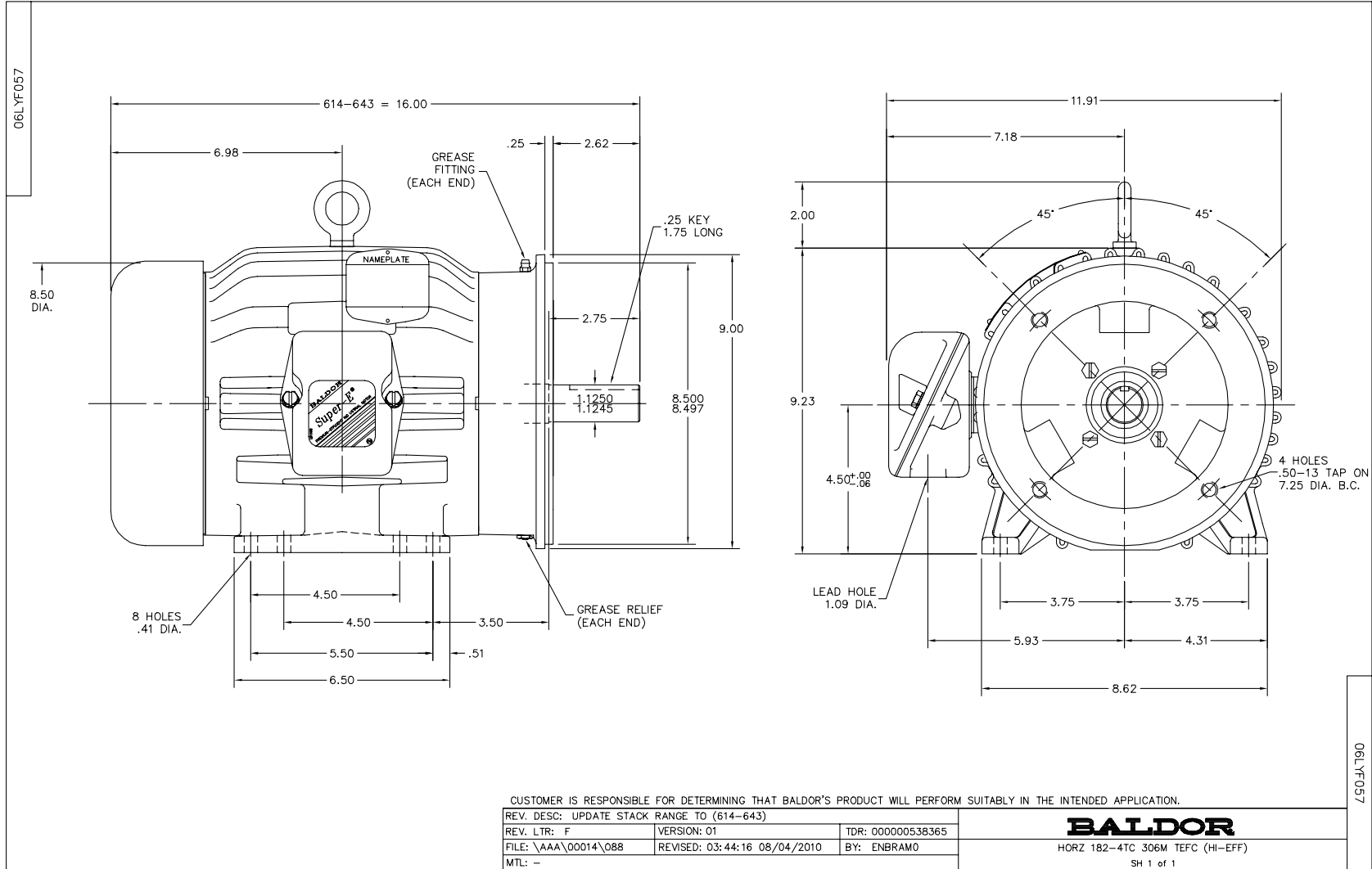
Nameplate Data				460 V, 60 Hz: High Voltage Connection	
Rated Output (HP)	3			Full Load Torque	4.51 LB-FT
Volts	230/460			Start Configuration	direct on line
Full Load Amps	7.6/3.8			Breakdown Torque	25.5 LB-FT
R.P.M.	3470			Pull-up Torque	9.08 LB-FT
Hz	60	Phase	3	Locked-rotor Torque	11.9 LB-FT
NEMA Design Code	B	KVA Code	K	Starting Current	29.3 A
Service Factor (S.F.)	1.15			No-load Current	1.64 A
NEMA Nom. Eff.	86.5	Power Factor	89	Line-line Res. @ 25°C	6.11 Ω
Rating - Duty	40C AMB-CONT			Temp. Rise @ Rated Load	45°C
S.F. Amps				Temp. Rise @ S.F. Load	48°C
				Locked-rotor Power Factor	58.7
				Rotor inertia	0.0795 LB-FT ²

Load Characteristics 460 V, 60 Hz, 3 HP

% of Rated Load	25	50	75	100	125	150	S.F.
Power Factor	47	70	81	87	90	91	90
Efficiency	81.1	86.6	87.5	86.7	85.3	83.2	87.6
Speed	3568	3538	3505	3468	3430	3382	3456
Line amperes	1.82	2.29	2.94	3.71	4.53	5.5	4.12

Performance Graph at 460V, 60Hz, 3.0HP Typical performance - Not guaranteed values





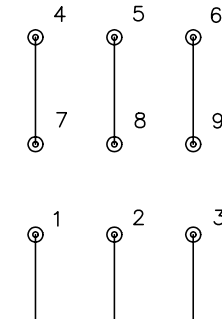
CD0005



LOW VOLTAGE (2Y)



HIGH VOLTAGE (1Y)



NOTES:

1. INTERCHANGE ANY TWO LINE LEADS TO REVERSE ROTATION.
2. OPTIONAL THERMOSTATS ARE PROVIDED WHEN SPECIFIED.
3. ACTUAL NUMBER OF INTERNAL PARALLEL CIRCUITS MAY BE A MULTIPLE OF THOSE SHOWN ABOVE.
4. LEAD COLORS ARE OPTIONAL. LEADS MUST ALWAYS BE NUMBERED AS SHOWN.

REV. DESC: REVISE TO SHOW OPTIONAL COLORS			
REV. LTR: E	BY: JLP	REVISED: 01/19/99 10:15	TDR: 0171435
9000D		FILE: AAA00005140	MDL: -
		MTL: -	

BALDOR ELECTRIC Co.

3PH, DV, 9 LEADS

CD0005