

BALDOR® • **RELIANCE**

Product Information Packet

CJL1205A

.33HP,3450RPM,1PH,60HZ,56J,3416L,OPEN,F1

Part Detail							
Revision:	S	Status:	PRD/A	Change #:		Proprietary:	No
Type:	AC	Prod. Type:	3416L	Elec. Spec:	34WG2534	CD Diagram:	CD0307
Enclosure:	OPEN	Mfg Plant:		Mech. Spec:	34F040	Layout:	34LYF040
Frame:	56J	Mounting:	F1	Poles:	02	Created Date:	
Base:	RG	Rotation:	FOS	Insulation:	B	Eff. Date:	12-21-2011
Leads:	5#18,1#16 #1TH					Replaced By:	
Literature:		Elec. Diagram:					

Parts List		
Part Number	Description	Quantity
SA005865	SA 34F40-2534	1.000 EA
RA002611	RA 34F40-2534	1.000 EA
EC1130A02SP	ELEC CAP, 130-156 MFD, 125V, 1.48D X 3.3	1.000 EA
WD4100A01	DP-875 HEYCO PLUG OR 62MP0875 MICRO PLAS	1.000 EA
34CB4501SP	TERMINAL BOX LID, STAMPED X (PLATED)	1.000 EA
51XW0832A07	8-32 X .44, TAPTITE II, HEX WSHR SLTD SE	2.000 EA
11XT0832G06	8-32 X 3/8 TY 23 TAPPING	1.000 EA
51XW0832A07	8-32 X .44, TAPTITE II, HEX WSHR SLTD SE	3.000 EA
34EP3202A20	FR ENDPLATE, 34 OPEN SMALL HUB RESIL LES	1.000 EA
WD4100A04	62MP0687 HOLE PLUG OR DP-687 HEYCO	1.000 EA
NS2500A01	INSULATOR, AUTO THER PROT	1.000 EA
34CB4800SP	CAPACITOR COVER, STAMPED PRIMED	1.000 EA
51XB1016A05	10-16X5/16HX WA SL SR TYB (F/S)	2.000 EA
HW5100A03SP	WAVY WASHER (W1543-017)	1.000 EA
34EP3401A01SP	PU ENDPLATE, MACH	1.000 EA
34AD2000	BAFFLE PLATE, STAMPED	1.000 EA
51XT0632A06	6-32X3/8 TY23 HXWS SLDSR	4.000 EA
51XN1032A20	10-32 X 1 1/4 HX WS SL SR	2.000 EA
RM1010A01	35-968-1 VINYL CLS	1.000 EA
MG1000G27	MED CHARCOAL METALLIC GREY 400-0096	0.014 GA
LB1009N	LABEL,ROTATION DIRECTION (ON ROLLS)	1.000 EA
10XF0440S02	04-40 X 1/8 TYPE F HEX HD STAINLESS STIC	2.000 EA
SP5068A01	34L TERM PANEL STAT SWITCH #E-6"	1.000 EA
HA3100A14	THRUBOLT 10-32 X 7.875	4.000 EA

Parts List (continued)		
Part Number	Description	Quantity
LB1118	LABEL,WARNING (ROLL LABEL)	1.000 EA
LC0307	1PH, DV, FIX, W & W/O THERM, TERM PLATE,	1.000 EA
NP1257L	ALUM UL CSA CC THERMAL REV MTG	1.000 EA
35PA1000	PKG GRP, PRINT PK1008A06	1.000 EA

AC Induction Motor Performance Data
Record # 6650 - Typical performance - not guaranteed values

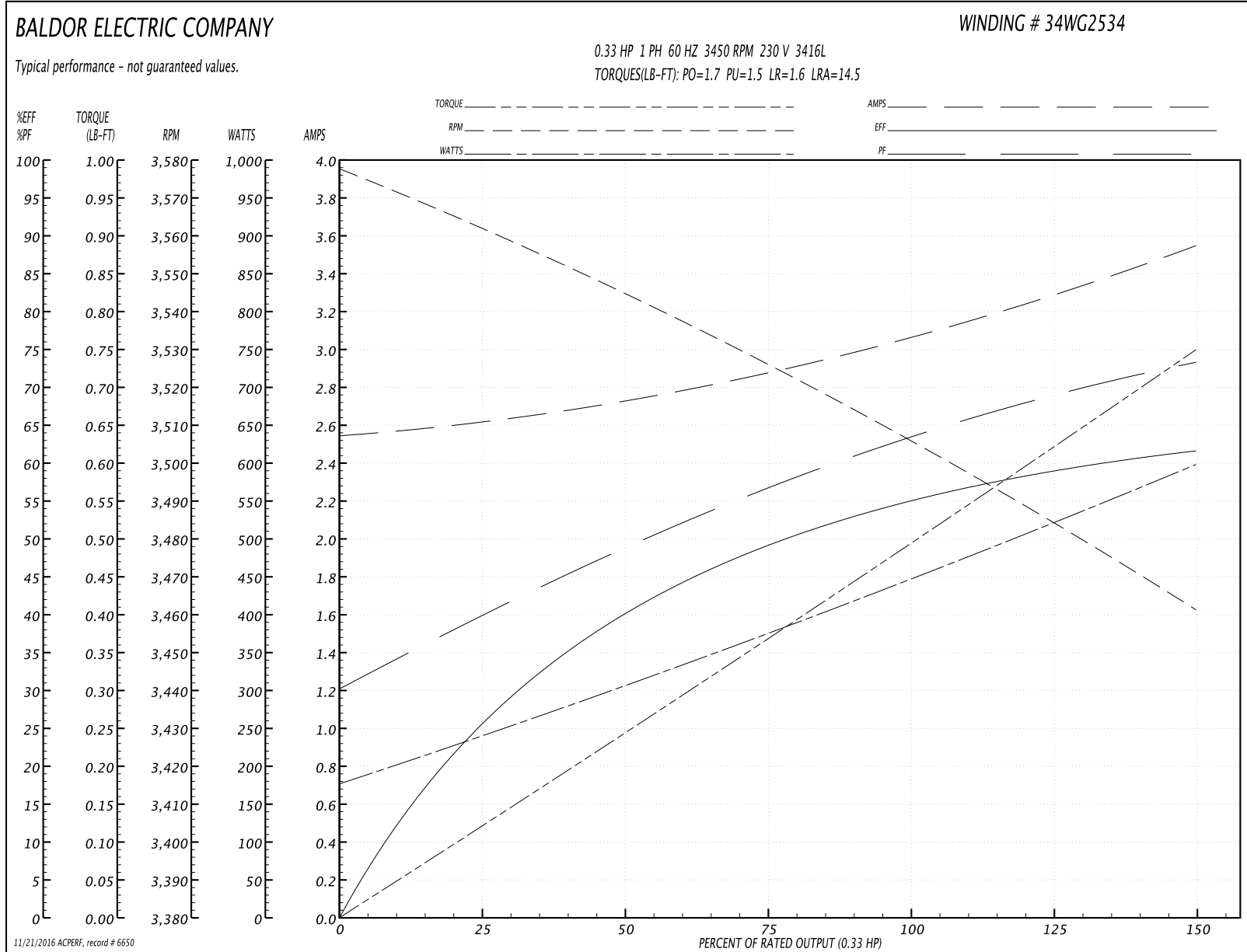
Winding: 34WG2534-R001	Type: 3416L	Enclosure: OPEN
-------------------------------	--------------------	------------------------

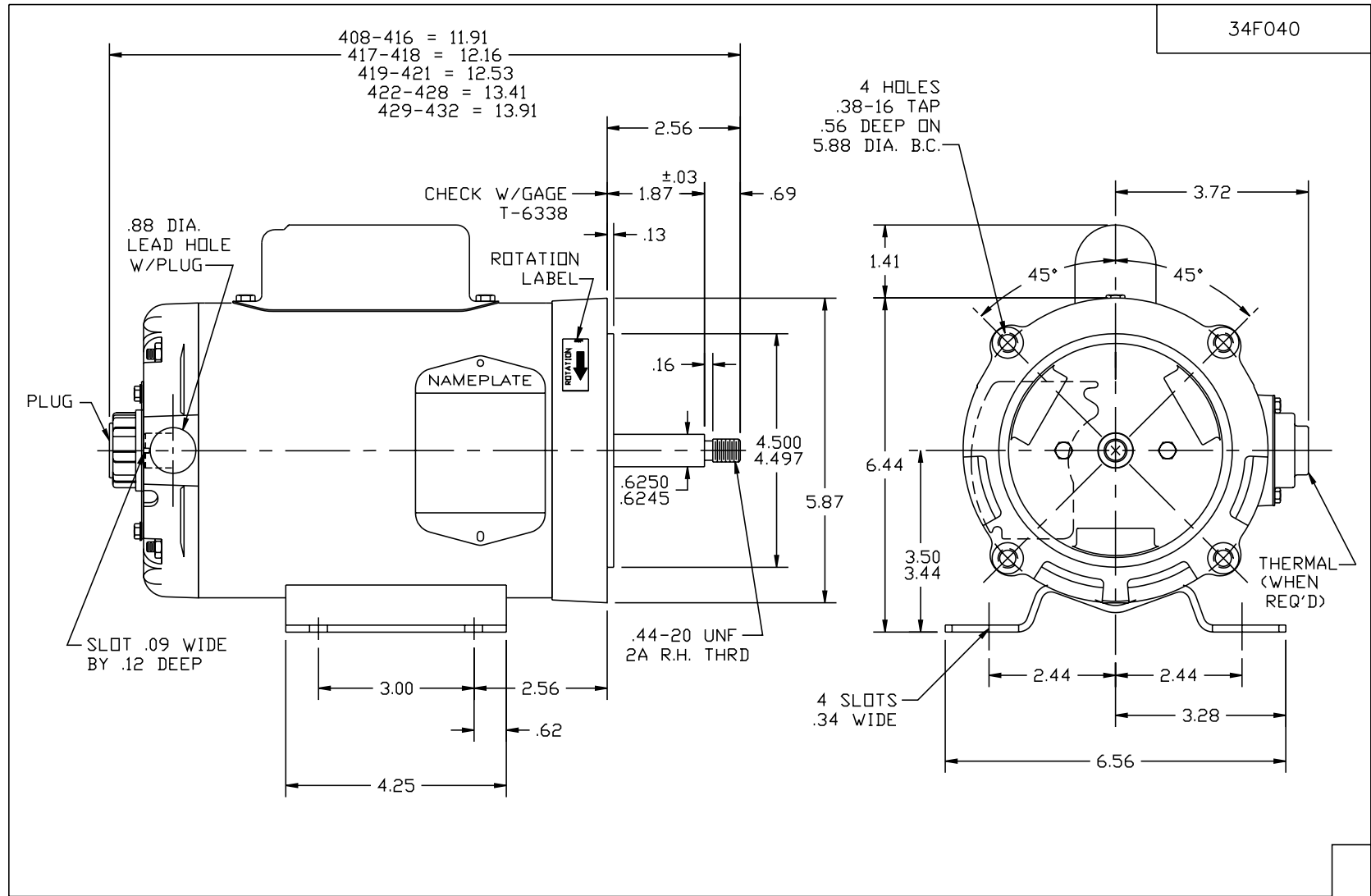
Nameplate Data				230 V, 60 Hz: High Voltage Connection	
Rated Output (HP)	.33			Full Load Torque	0.5 LB-FT
Volts	115/230			Start Configuration	direct on line
Full Load Amps	6.2/3.1			Breakdown Torque	1.7 LB-FT
R.P.M.	3450			Pull-up Torque	1.5 LB-FT
Hz	60	Phase	1	Locked-rotor Torque	1.6 LB-FT
NEMA Design Code	N	KVA Code	L	Starting Current	14.5 A
Service Factor (S.F.)	1.75			No-load Current	2.55 A
NEMA Nom. Eff.	58	Power Factor	61	Line-line Res. @ 25°C	4.92 Ω A Ph 3.95 Ω B Ph
Rating - Duty	40C AMB-CONT			Temp. Rise @ Rated Load	31°C
S.F. Amps	7.6/3.8			Temp. Rise @ S.F. Load	43°C

Load Characteristics 230 V, 60 Hz, 0.33 HP

% of Rated Load	25	50	75	100	125	150	S.F.
Power Factor	39	48	56	63	69	73	81
Efficiency	26	40.6	49.5	55.3	59.1	61.6	66.7
Speed	3561	3544	3525	3505	3484	3461	3442
Line amperes	2.6	2.75	2.9	3.05	3.3	3.55	3.8

Performance Graph at 230V, 60Hz, 0.33HP Typical performance - Not guaranteed values



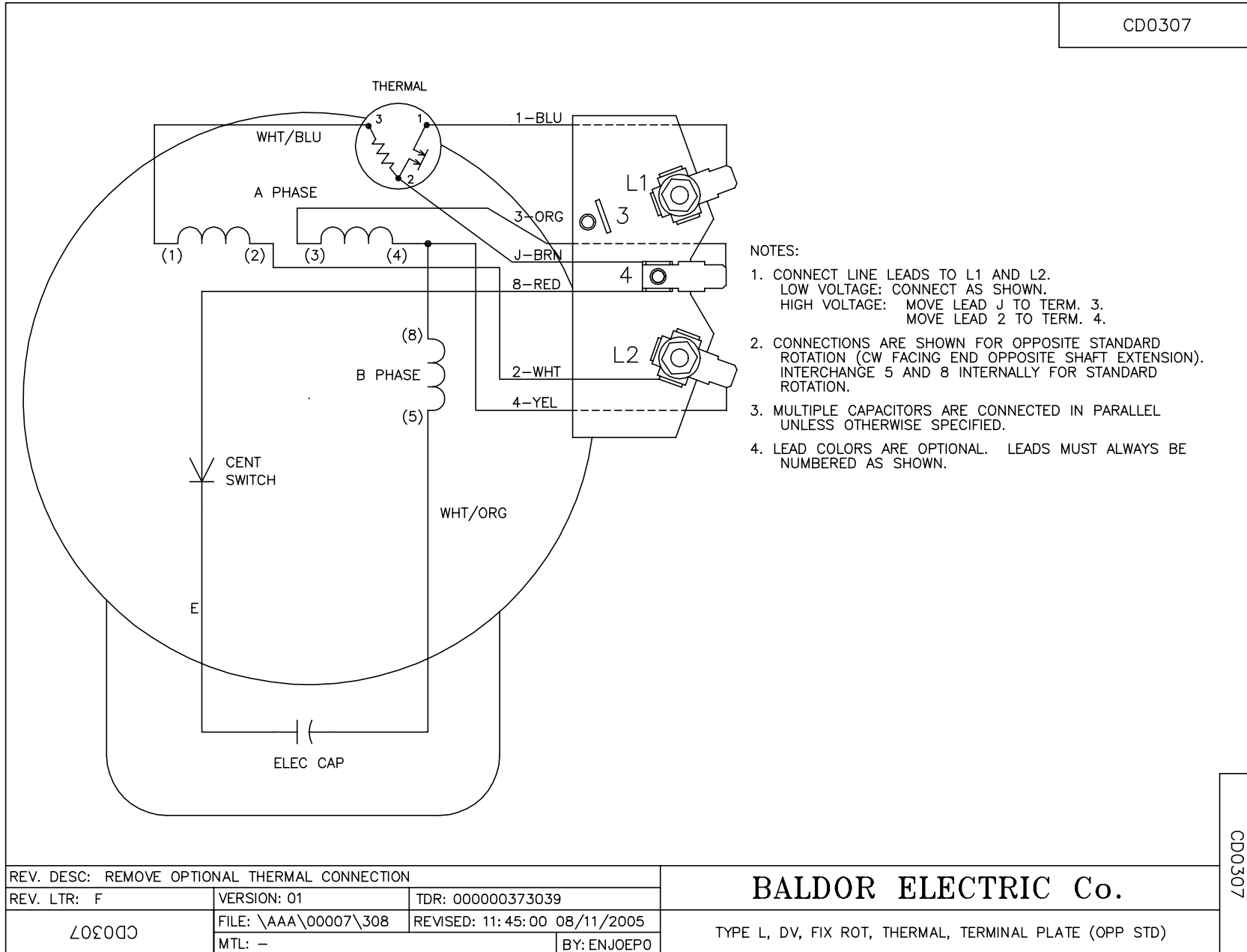


34F040

CUST. NAME		CUST. P.O.		CERTIFIED BY		MODEL		INSUL		AMB	
H.P.		MTG		TYPE		R.P.M.		VOLTS		ENCL	
PHASE		FREQ		FRAME		REMARKS:					
REV: C		MOVED TO ACAD									
34F040		RER: 34F009		BY: MW		REVISED: 01/09/96		BALDOR ELECTRIC Co. STD HORZ MODEL 34L NEMA 56J OPEN W/TERM PANEL			
		FILE: AAA00026550		TDR: 0086069							

34F040

CD0307



CD0307