

# **BALDOR**® • **RELIANCE**

## **Product Information Packet**

# **CJM3155**

**2HP,3450RPM,3PH,60HZ,56J,3430M,OPEN,F1**

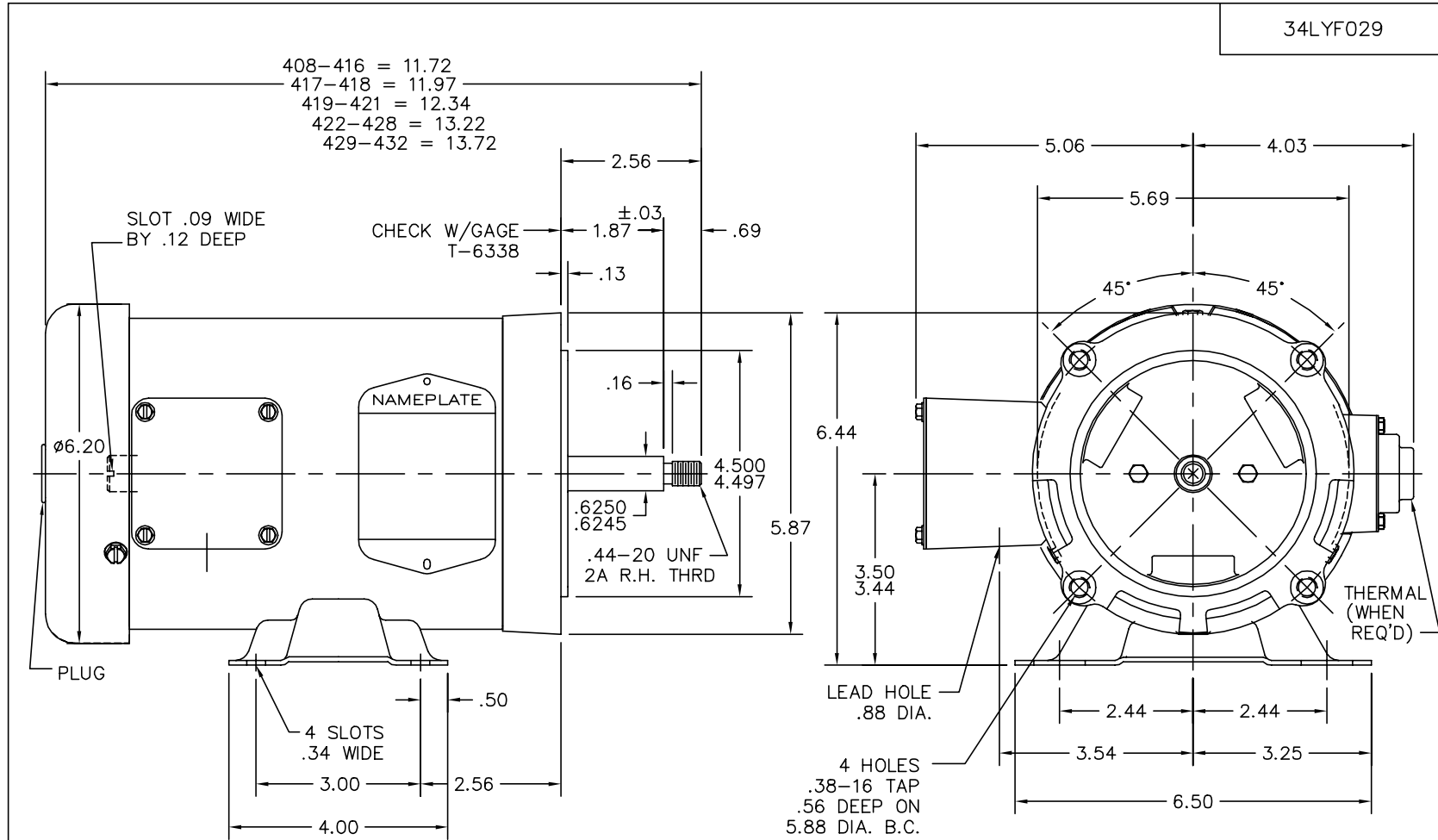
Part Detail							
Revision:	M	Status:	PRD/A	Change #:		Proprietary:	No
Type:	AC	Prod. Type:	3430M	Elec. Spec:	34WGX636	CD Diagram:	CD0005
Enclosure:	OPEN	Mfg Plant:		Mech. Spec:	34F029	Layout:	34LYF029
Frame:	56J	Mounting:	F1	Poles:	02	Created Date:	
Base:	RG	Rotation:	R	Insulation:	B	Eff. Date:	03-15-2016
Leads:	9#18					Replaced By:	
Literature:		Elec. Diagram:					

Nameplate NP1256L										
CAT.NO.	CJM3155									
SPEC.	34F029X636									
HP	2									
VOLTS	230/460									
AMP	5.4/2.7									
RPM	3450									
FRAME	56J				HZ	60			PH	3
SER.F.	1.20			CODE	L	DES	B		CLASS	B
NEMA-NOM-EFF	82.5			PF	86					
RATING	40C AMB-CONT									
CC									USABLE AT 208V	6.4
DE	6203				ODE	6203				
ENCL	OPEN			SN						
	SFA 6.2/3.1									

Parts List		
Part Number	Description	Quantity
SA043929	SA 34F029X636	1.000 EA
RA039391	RA 34F029X636	1.000 EA
NS2512A01	INSULATOR, CONDUIT BOX X	1.000 EA
34CB3002A	CB CAST W/.88 DIA HOLE	1.000 EA
51XB1016A07	10-16 X 7/16 HXWSSLD SERTYB	2.000 EA
11XW1032G06	10-32 X .38, TAPTITE II, HEX WSHR SLTD U	1.000 EA
34EP3212A03	FR EP 34L FOR DRIP CVR	1.000 EA
HW5100A03SP	WAVY WASHER (W1543-017)	1.000 EA
34EP3401A01SP	PU ENDPLATE, MACH	1.000 EA
34AD2000	BAFFLE PLATE, STAMPED	1.000 EA
51XT0632A06	6-32X3/8 TY23 HXWS SLDSR	4.000 EA
51XN1032A20	10-32 X 1 1/4 HX WS SL SR	2.000 EA
34FH4000A15	DRIP COVER, STAMPED,PRIMER	1.000 EA
51XW1032A06	10-32 X .38, TAPTITE II, HEX WSHR SLTD S	3.000 EA
WD4101A09	STIMPSON D3560, .875 DIA. HOLE PLUG	1.000 EA
34CB4517	CB LID 4 MTG HOLES .22 DIA STAMPED, FOR	1.000 EA
51XW0832A07	8-32 X .44, TAPTITE II, HEX WSHR SLTD SE	4.000 EA
RM1010A01	35-968-1 VINYL CLS	1.000 EA
MG1000G27	MED CHARCOAL METALLIC GREY 400-0096	0.014 GA
10XF0440S02	04-40 X 1/8 TYPE F HEX HD STAINLESS STIC	2.000 EA
HA3100A18	THRUBOLT 10-32 X 9.250	4.000 EA
MN416A01	TAG-INSTAL-MAINT no wire (1200/bx) 11/14	1.000 EA
LC0005E01	CONN.DIA./WARNING LABEL (LC0005/LB1119N)	1.000 EA
NP1256L	ALUM UL CSA CC	1.000 EA

<b>Parts List (continued)</b>		
<b>Part Number</b>	<b>Description</b>	<b>Quantity</b>
35PA1000	PKG GRP, PRINT PK1008A06	1.000 EA

No performance data has been  
assigned to this product.



CUSTOMER IS RESPONSIBLE FOR DETERMINING THAT MOTOR PERFORMANCE IS SUITABLE IN THE APPLICATION.

REV. DESC: NEW KBOX & LID		REVISED: 16:29:47 10/28/2003		TDR: 314971
REV. LTR: K	BY: RT	FILE: AAA00026300	REF: 34LYF029	
6Z0JY7C		MTL: -		

**BALDOR ELECTRIC Co.**

STD HOR 56J OPEN 34M W/DRIP CVR

34LYF029

