

BALDOR® • ***RELIANCE***

Product Information Packet

CL1408TM

3HP,1725RPM,1PH,60HZ,184TC,3634LC,OPEN

Part Detail							
Revision:	AF	Status:	PRD/A	Change #:		Proprietary:	No
Type:	AC	Prod. Type:	3634LC	Elec. Spec:	36WG2761	CD Diagram:	CD0016A03
Enclosure:	OPEN	Mfg Plant:		Mech. Spec:	36F984	Layout:	36LYF984
Frame:	184TC	Mounting:	F1	Poles:	04	Created Date:	
Base:	RG	Rotation:	R	Insulation:	B	Eff. Date:	09-10-2015
Leads:	4#14 A&J,3#16 B PH,1#10 #4TH					Replaced By:	
Literature:		Elec. Diagram:					

Nameplate NP1257L	
CAT.NO.	CL1408TM
SPEC.	36F984-2761
HP	3
VOLTS	115/230
AMP	32/16
RPM	1725
FRAME	184TC
	HZ 60
	PH 1
SER.F.	1.15
	CODE H
	DES L
	CL B
NEMA-NOM-EFF	78
	PF 78
RATING	40C AMB-CONT
CC	USABLE AT 208V
DE	6206
	ODE 6205
ENCL	OPEN
	SN

Parts List		
Part Number	Description	Quantity
SA035335	SA 36F984-2761	1.000 EA
RA031362	RA 36F984-2761	1.000 EA
TPCRT00CB	THERMAL 1PH 130 MAN 120C WELDED	1.000 EA
TP5059	GENERIC THERMAL KIT	1.000 EA
36CB3004A12	36 CB 1.09 @ 6, 1.00 MTO @ 3	1.000 EA
51XB1016A08	10-16X 1/2HXWSSLD SERTYB	2.000 EA
11XW1032G06	10-32 X .38, TAPTITE II, HEX WSHR SLTD U	1.000 EA
HA6015A02	THERMAL RETAINER (PLATED)	1.000 EA
NS2500A02	INSULATOR, MAN THER PROT	1.000 EA
51XB1214A10	12-14 X 5/8HX WS SL SR TYBX	2.000 EA
36EP3200A01	FR ENDPLATE, ASSEMBLY FOR ROUTING	1.000 EA
HW4500A01	1641B(ALEMITE)400 UNIV, GREASE FITT	1.000 EA
SP1008A01	BAFFLE, MODEL 36 & 37	1.000 EA
13XF0832A08	8-32 X.50 PAN HD,SLTD, TYPE F SCREW, ZIN	2.000 EA
10XN2520A12	O1/4-20X 3/4 HEX HEAD CAP	2.000 EA
HW5100A05	WVY WSHR F/205 & 304 BRGS	1.000 EA
36PE3403A03	PUEP ASSEMBLY FOR ROUTING PURPOSES	1.000 EA
HW4500A01	1641B(ALEMITE)400 UNIV, GREASE FITT	1.000 EA
36AD2000	AIR BAFFLE	1.000 EA
60XW0632A06	6-32 X 3/8 TORX HEAD SCREW TAPTITE II	4.000 EA
10XN2520A28	1/4-20X 1 3/4 HEX HD	4.000 EA
HW1001A25	LOCKWASHER 1/4, ZINC PLT .493 OD, .255 I	4.000 EA
36CB4516	36 LIPPED CB LID	1.000 EA
51XW0832A07	8-32 X .44, TAPTITE II, HEX WSHR SLTD SE	4.000 EA

Parts List (continued)		
Part Number	Description	Quantity
HW2501E16	3KEY, 1/4 SQ X 1.750	1.000 EA
HA7000A02	KEY RETAINER RING, 1 1/8 DIA, 1 3/8 DIA	1.000 EA
85XU0407S04	4X1/4 U DRIVE PIN STAINLESS	2.000 EA
LB1087	LABEL,MANUAL RESET (ROLL LABEL)	1.000 EA
MJ1000A02	GREASE, POLYREX EM EXXON (USe 4824-15A)	0.050 LB
MG1000G27	MED CHARCOAL METALLIC GREY 400-0096	0.022 GA
36CB5010A01	CAPACITOR BOX KIT, 36CB3800, OC3020F12	1.000 EA
SP5172A38	37 TYPE LC TORQ STAT SWITCH LEAD ASSEMBL	1.000 EA
HA3101A25	THRUBOLT 1/4-20 X 11.000 OHIO ROD	4.000 EA
LB1119N	WARNING LABEL	1.000 EA
LC0016	CONNECTION LABEL	1.000 EA
NP1257L	ALUM UL CSA CC THERMAL REV MTG	1.000 EA
36PA1001	PKG GRP, PRINT PK1017A06	1.000 EA
MN416A01	TAG-INSTAL-MAINT no wire (1200/bx) 11/14	1.000 EA

AC Induction Motor Performance Data

Record # 10537 - Typical performance - not guaranteed values

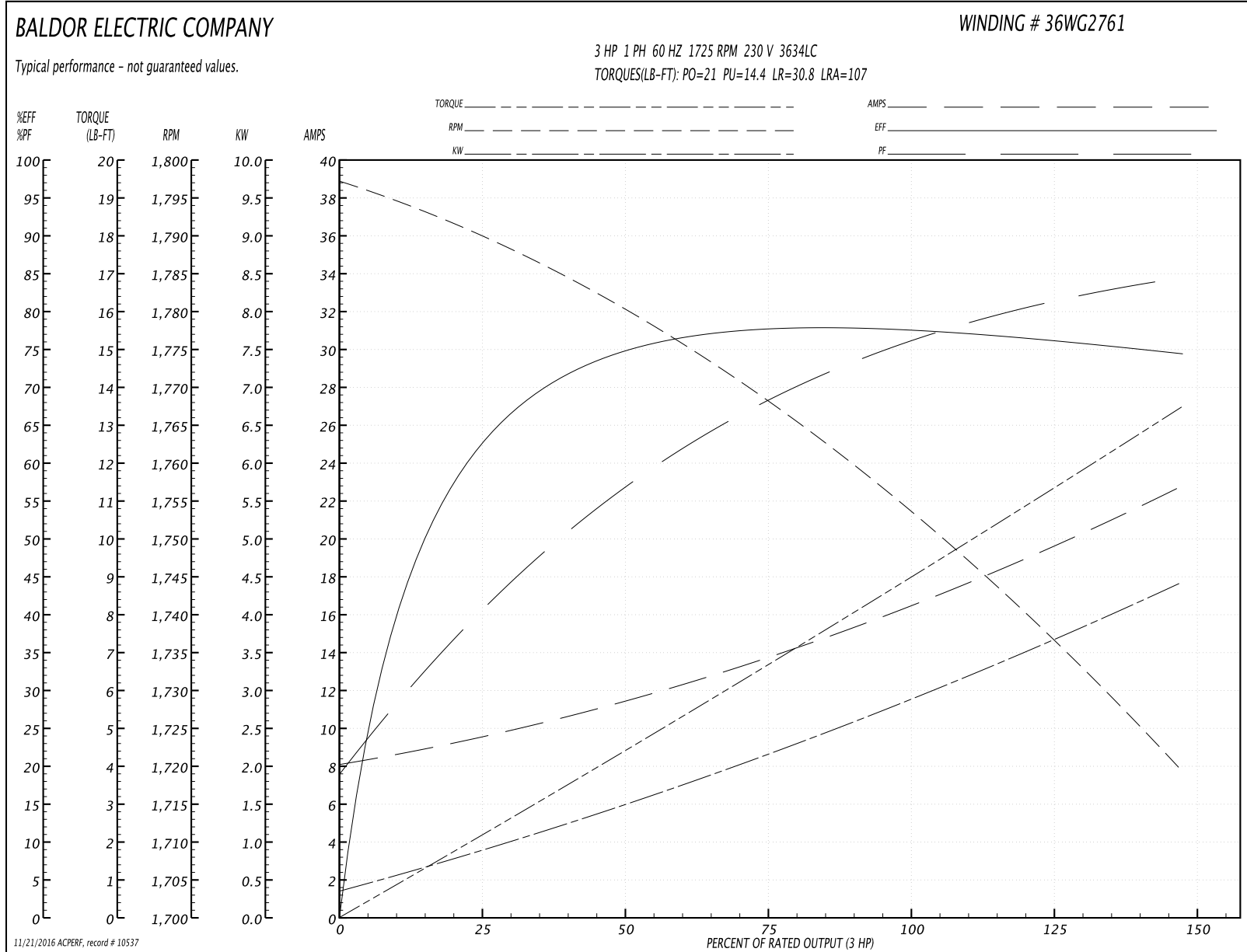
Winding: 36WG2761-R001	Type: 3634LC	Enclosure: OPEN
-------------------------------	---------------------	------------------------

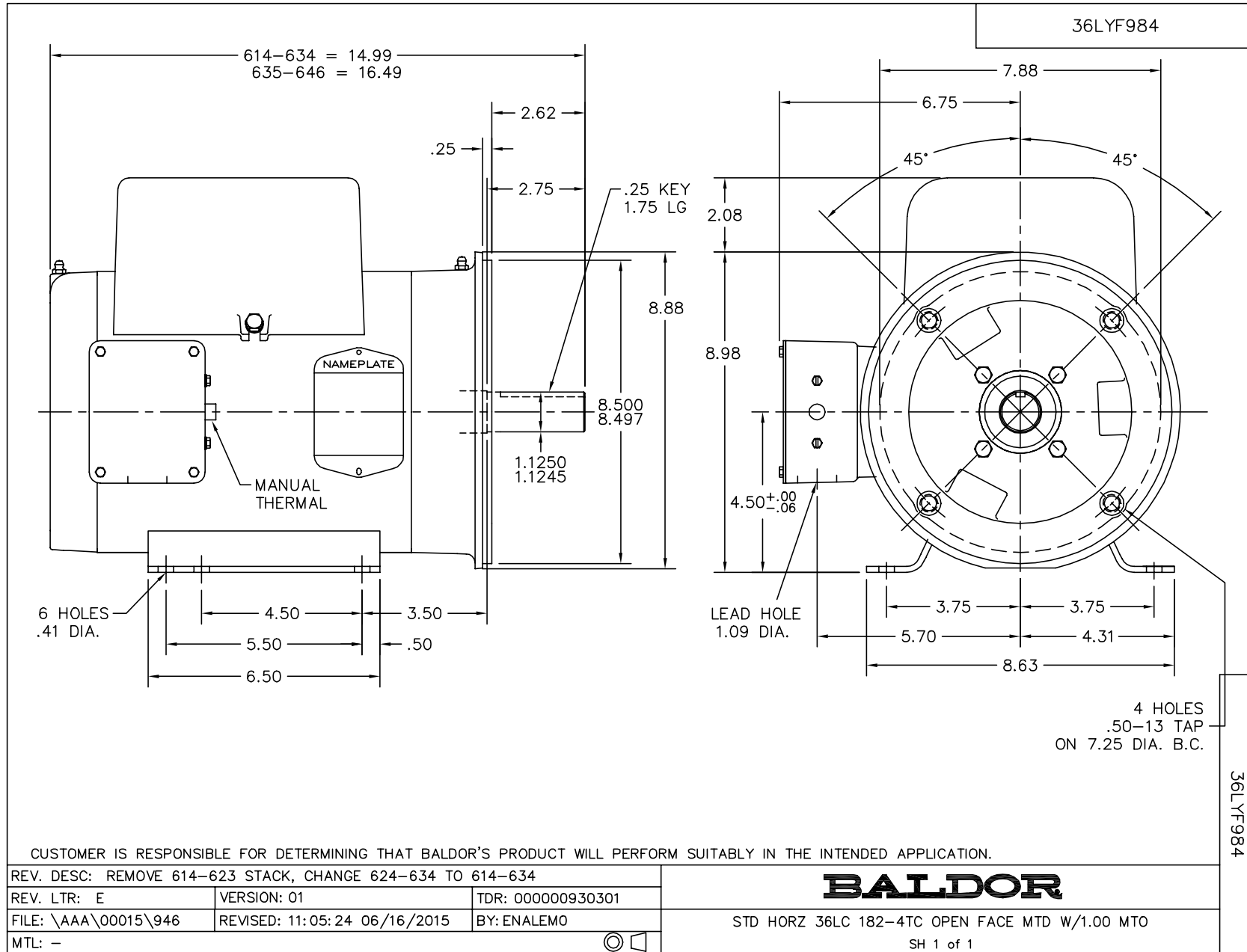
Nameplate Data				230 V, 60 Hz: High Voltage Connection	
Rated Output (HP)	3			Full Load Torque	9 LB-FT
Volts	115/230			Start Configuration	direct on line
Full Load Amps	32/16			Breakdown Torque	21 LB-FT
R.P.M.	1725			Pull-up Torque	14.4 LB-FT
Hz	60	Phase	1	Locked-rotor Torque	30.8 LB-FT
NEMA Design Code	L	KVA Code	H	Starting Current	107 A
Service Factor (S.F.)	1.15			No-load Current	8.5 A
NEMA Nom. Eff.	78	Power Factor	78	Line-line Res. @ 25°C	4.156 Ω A Ph 0.586 Ω B Ph
Rating - Duty	40C AMB-CONT			Temp. Rise @ Rated Load	

Load Characteristics 230 V, 60 Hz, 3 HP

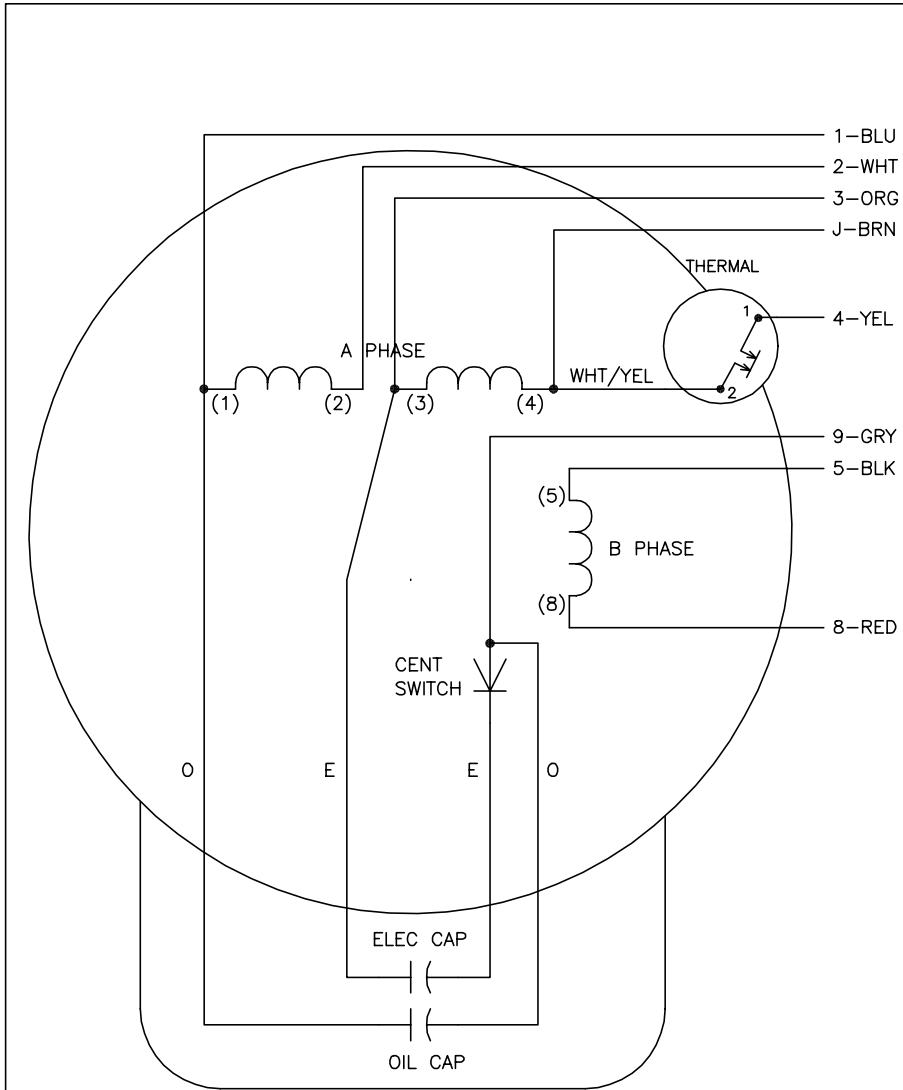
% of Rated Load	25	50	75	100	125	150	S.F.
Power Factor	45	64	73	79	85	83	83
Efficiency	62.6	74.9	78.6	78	75	74.9	76.1
Speed	1788	1780	1769	1756	1733	1721	1742
Line amperes	9.1	10.4	15.8	16	19	23	17.8

Performance Graph at 230V, 60Hz, 3.0HP Typical performance - Not guaranteed values





CD0016A03

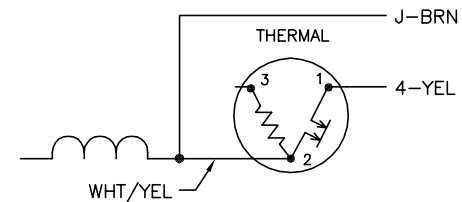


	LINE A	LINE B	JOIN	JOIN	JOIN
HIGH STD	1	4	2,3	8,9	J,5
HIGH OPP	1	4	2,3	5,9	J,8
LOW STD	1,3	4	8,9	2,J,5	-
LOW OPP	1,3	4	5,9	2,J,8	-

NOTES:

1. STANDARD ROTATION IS CCW FACING END OPPOSITE SHAFT EXTENSION.
2. MULTIPLE CAPACITORS ARE CONNECTED IN PARALLEL UNLESS OTHERWISE SPECIFIED.
3. LEAD COLORS ARE OPTIONAL. LEADS MUST ALWAYS BE NUMBERED AS SHOWN.

BYPASSING THE HEATER OF A THREE TERMINAL THERMAL



REV. DESC: NEW	VERSION: 00	TDR: 000000360649
REV. LTR: -	FILE: \AAA\00126\040	REVISED: 10:27:12 04/18/2005
CD0016A03	MTL: -	BY: ENJOEPO

BALDOR ELECTRIC Co.

TYPE LC, DV, REV,OIL CAP ACR. LINE, 2-TERMINAL THERMAL,8 LDS

CD0016A03