

BALDOR® • RELIANCE

Product Information Packet

CL3608TM

5HP,3450RPM,1PH,60HZ,184TC,3640LC,TEFC

Part Detail							
Revision:	AD	Status:	PRD/A	Change #:		Proprietary:	No
Type:	AC	Prod. Type:	3640LC	Elec. Spec:	36WGW957	CD Diagram:	CD0002A02
Enclosure:	TEFC	Mfg Plant:		Mech. Spec:	36M038	Layout:	36LYM038
Frame:	184TC	Mounting:	F1	Poles:	02	Created Date:	
Base:	RG	Rotation:	R	Insulation:	F	Eff. Date:	09-10-2015
Leads:	2#14 A PH,3#16 B&J					Replaced By:	
Literature:		Elec. Diagram:					

Nameplate NP1257L	
CAT.NO.	CL3608TM
SPEC.	36M38W957
HP	5
VOLTS	230
AMP	19.5
RPM	3450
FRAME	184TC
SER.F.	1.00
NEMA-NOM-EFF	83
RATING	40C AMB-CONT
CC	
DE	6206
ENCL	TEFC
CODE	G
PF	99
ODE	6205
SN	
HZ	60
DES	L
CL	F
PH	1
	USABLE AT 208V

Parts List		
Part Number	Description	Quantity
SA037199	SA 36M38W957	1.000 EA
RA033224	RA 36M38W957	1.000 EA
TPBRT25DB	THERMAL 1PH 1.25 MAN 120CWELDED	1.000 EA
TP5059	GENERIC THERMAL KIT	1.000 EA
36CB3004A02	36 CB 1.09 @ 6, 1.25 MTO @ 3	1.000 EA
36GS1000	GASKET-CONDUIT BOX, .06 THICK #SV-330 LE	1.000 EA
51XB1016A08	10-16X 1/2HXWSSLD SERTYB	2.000 EA
11XW1032G06	10-32 X .38, TAPTITE II, HEX WSHR SLTD U	1.000 EA
HA6015A09	THERMAL RETAINER PLATED	1.000 EA
51XB1214A10	12-14 X 5/8HX WS SL SR TYBX	2.000 EA
36FE3104A01	FREP MACH ASSEMBLY FOR ROUTING	1.000 EA
HW4500A01	1641B(ALEMITE)400 UNIV, GREASE FITT	1.000 EA
13XF0832A08	8-32 X.50 PAN HD,SLTD, TYPE F SCREW, ZIN	2.000 EA
36GS3000	GASKET, CAPACITOR COVER LEXIDE	1.000 EA
10XN2520A12	O1/4-20X 3/4 HEX HEAD CAP	2.000 EA
HW5100A05	WVY WSHR F/205 & 304 BRGS	1.000 EA
36PE3301A01	PUEP FOR ROUTING PURPOSES	1.000 EA
HW4500A01	1641B(ALEMITE)400 UNIV, GREASE FITT	1.000 EA
10XN2520A26	1/4-20X 1 5/8 HEX HD	4.000 EA
HW1001A25	LOCKWASHER 1/4, ZINC PLT .493 OD, .255 I	4.000 EA
51XB1214A16	12-14X1.00 HXWSSLD SERTYB	1.000 EA
36FH4009A102	IEC FH GREASER PRIMED	1.000 EA
51XW1032A06	10-32 X .38, TAPTITE II, HEX WSHR SLTD S	3.000 EA
36CB4516	36 LIPPED CB LID	1.000 EA

Parts List (continued)		
Part Number	Description	Quantity
37GS1001	GASKET, CONDUIT BOX LID, .06 THICK LEXID	1.000 EA
51XW0832A07	8-32 X .44, TAPTITE II, HEX WSHR SLTD SE	4.000 EA
HW2501E16	3KEY, 1/4 SQ X 1.750	1.000 EA
HA7000A02	KEY RETAINER RING, 1 1/8 DIA, 1 3/8 DIA	1.000 EA
85XU0407S04	4X1/4 U DRIVE PIN STAINLESS	2.000 EA
WD1000A15	3-520132-2 AMP FLAG (4M/RL NON-CANC/NON-	2.000 EA
36CB5005A11	CAPACITOR BOX KIT,36CB3800,EC1161C06	1.000 EA
MJ1000A02	GREASE, POLYREX EM EXXON (USe 4824-15A)	0.050 LB
MG1000G27	MED CHARCOAL METALLIC GREY 400-0096	0.022 GA
HA3101A28	THRUBOLT 1/4-20 X 12.500 OHIO ROD	4.000 EA
35FN3002A04SP	EXFN, PLASTIC, 6.376 OD, .906 ID W/KEY	1.000 EA
SP5172A05	37 TYPE LC TORQ STAT SW LEAD ASSEMBLY	1.000 EA
LB1087	LABEL,MANUAL RESET (ROLL LABEL)	1.000 EA
LB1119N	WARNING LABEL	1.000 EA
LC0002	CONNECTION LABEL	1.000 EA
NP1257L	ALUM UL CSA CC THERMAL REV MTG	1.000 EA
36PA1001	PKG GRP, PRINT PK1017A06	1.000 EA
MN416A01	TAG-INSTAL-MAINT no wire (1200/bx) 11/14	1.000 EA

AC Induction Motor Performance Data

Record # 10892 - Typical performance - not guaranteed values

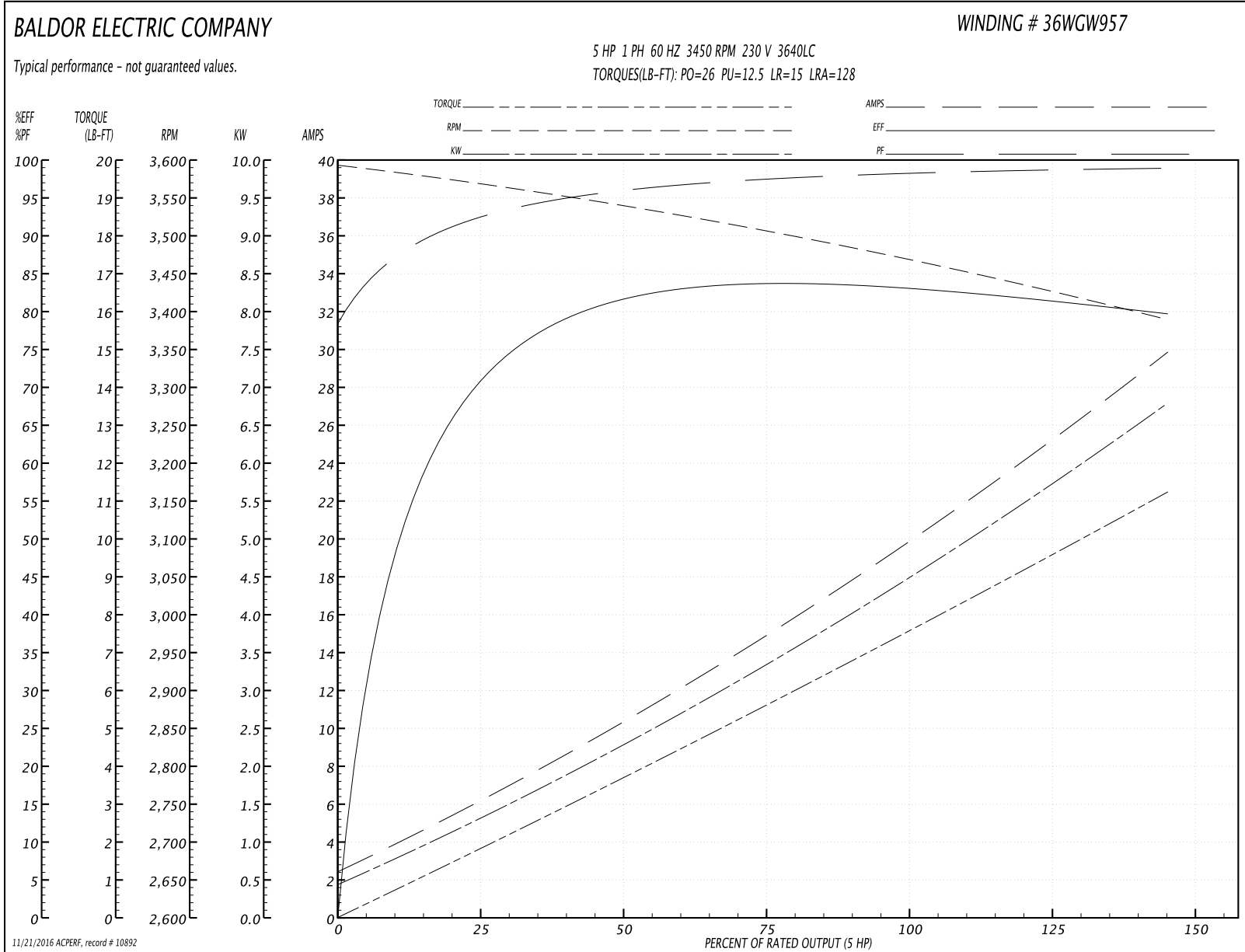
Winding: 36WGW957-R001	Type: 3640LC	Enclosure: TEFC
-------------------------------	---------------------	------------------------

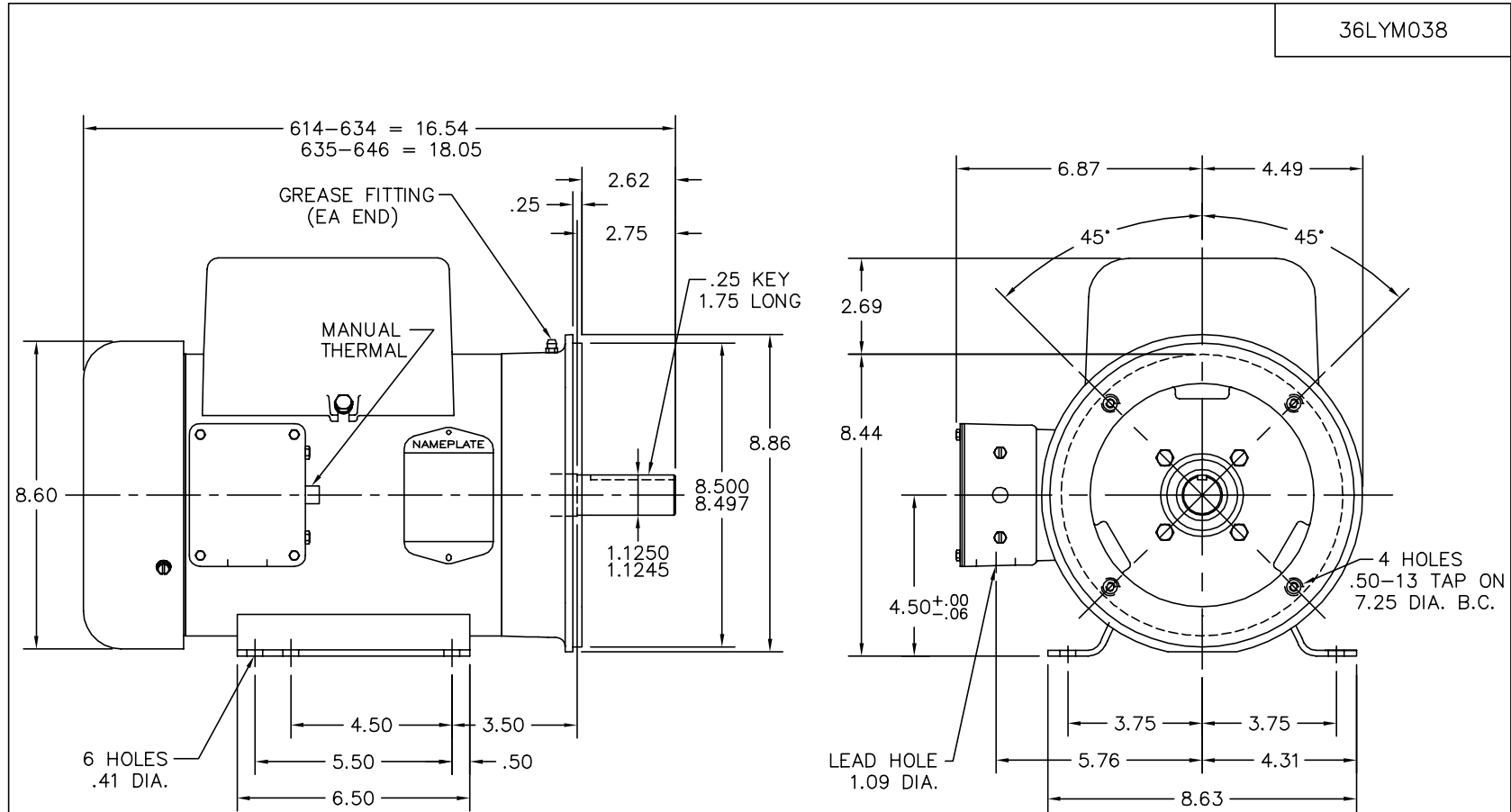
Nameplate Data				230 V, 60 Hz: Single Voltage Motor	
Rated Output (HP)	5			Full Load Torque	7.5 LB-FT
Volts	230			Start Configuration	direct on line
Full Load Amps	19.5			Breakdown Torque	26 LB-FT
R.P.M.	3450			Pull-up Torque	12.5 LB-FT
Hz	60	Phase	1	Locked-rotor Torque	15 LB-FT
NEMA Design Code	L	KVA Code	G	Starting Current	128 A
Service Factor (S.F.)	1			No-load Current	2.3 A
NEMA Nom. Eff.	83	Power Factor	99	Line-line Res. @ 25°C	0.38 Ω A Ph 1.02 Ω B Ph
Rating - Duty	40C AMB-CONT			Temp. Rise @ Rated Load	67°C

Load Characteristics 230 V, 60 Hz, 5 HP

% of Rated Load	25	50	75	100	125	150
Power Factor	98	98	98	98	97	97
Efficiency	66.4	81.5	83.9	83.9	82.1	79.2
Speed	3565	3539	3507	3472	3430	3389
Line amperes	6.5	10.4	14.9	19.6	24.7	29.9

Performance Graph at 230V, 60Hz, 5.0HP Typical performance - Not guaranteed values





CUSTOMER IS RESPONSIBLE FOR DETERMINING THAT MOTOR PERFORMANCE IS SUITABLE IN THE APPLICATION.

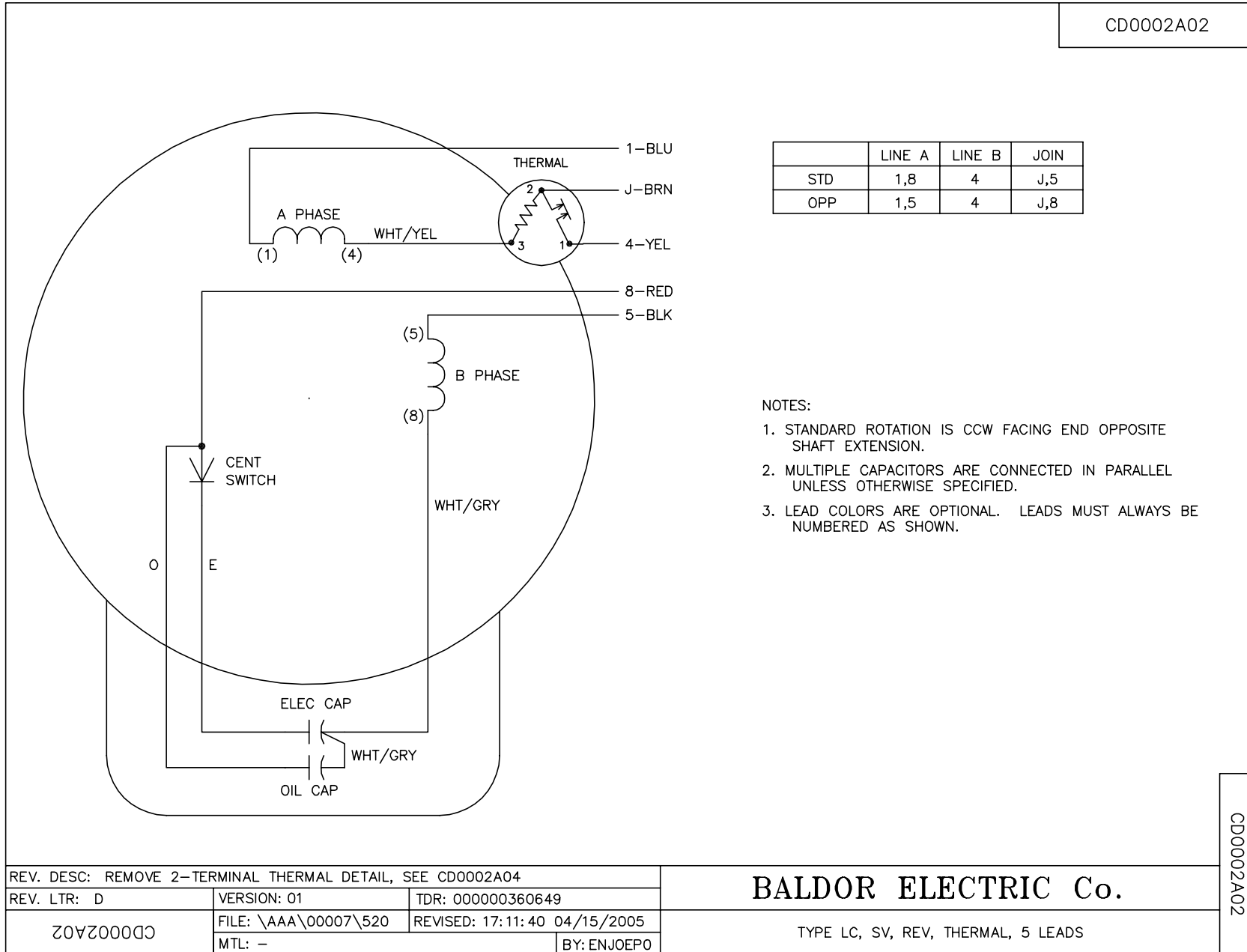
REV. DESC: 36EP3104A01 WAS 36EP3101A01, 36FH4009A102 WAS A03			
REV. LTR: J	VERSION: 01	TDR: 000000381957	
36LYM038	FILE: \AAA\00014\376	REVISED: 09:42:50 12/02/2005	
	MTL: -	BY: ENCHRC0	

BALDOR ELECTRIC Co.

STD HORZ 36LC 182-4TC TEFC 36LC W/1.25 MTO

36LYM038

CD0002A02



CD0002A02

REV. DESC: REMOVE 2-TERMINAL THERMAL DETAIL, SEE CD0002A04		
REV. LTR: D	VERSION: 01	TDR: 000000360649
Z0VZ000003 CD0002A02	FILE: \AAA\00007\520	REVISED: 17:11:40 04/15/2005
	MTL: -	BY: ENJOEPO

BALDOR ELECTRIC Co.

TYPE LC, SV, REV, THERMAL, 5 LEADS