

BALDOR® • ***RELIANCE***

Product Information Packet

CSSEWDM3558T-5

2HP,1755RPM,3PH,60HZ,145TC,3538M,TEFC,F1

Part Detail							
Revision:	K	Status:	PRD/A	Change #:		Proprietary:	No
Type:	AC	Prod. Type:	3538M	Elec. Spec:	35WGP956	CD Diagram:	CD0006
Enclosure:	TEFC	Mfg Plant:		Mech. Spec:	35Z202	Layout:	35LYZ202
Frame:	145TC	Mounting:	F1	Poles:	04	Created Date:	04-17-2012
Base:	RG	Rotation:	R	Insulation:	H	Eff. Date:	09-14-2016
Leads:	3#18					Replaced By:	
Literature:		Elec. Diagram:					

Nameplate NP1953A05										
CAT.NO.	CSSEWDM3558T-5									
SPEC.	35Z202P956G1									
HP	2									
VOLTS	575									
AMP	2.2									
RPM	1755									
FRAME	145TC				HZ	60			PH	3
SER.F.	1.15		CODE	L	DES	B		CLASS	H	
NEMA-NOM-EFF	88.5			PF	78					
RATING	40C AMB-CONT									
CC	010A				USABLE AT 208V					
DE	6205			ODE	6205					
ENCL	TEFC		SN							

Parts List		
Part Number	Description	Quantity
SA242924	SA 35Z202P956G1	1.000 EA
RA229825	RA 35Z202P956G1	1.000 EA
34FN3002B01	EXTERNAL FAN, PLASTIC, .637/.639 HUB W/	1.000 EA
11XW1032G06	10-32 X .38, TAPTITE II, HEX WSHR SLTD U	1.000 EA
35EP1917A09	FREP TEFC 205 BRG NO GRS 4X.125 NPT (SS)	1.000 EA
RM1070A25	O-RING,VITON 6.19 ID X .062 C.S. NOM	1.000 EA
HW4600E99	AXIAL FACE SEAL 76925-9042-0447 SS CASE	1.000 EA
HW4500A33	1/8 NPT STAINLESS,HOLO-KROME #13002,PRES	3.000 EA
HW5100A05	WVY WSHR F/205 & 304 BRGS	1.000 EA
35PE1916A05	PUEP 56C ENC 205 BRG 4X.125 NPT (SS)	1.000 EA
RM1070A25	O-RING,VITON 6.19 ID X .062 C.S. NOM	1.000 EA
HW4600E99	AXIAL FACE SEAL 76925-9042-0447 SS CASE	1.000 EA
HW4500A33	1/8 NPT STAINLESS,HOLO-KROME #13002,PRES	3.000 EA
RM1070A26	O-RING,4.5MM I.D.X1.5MM C.S. (VITON)	4.000 EA
51XB1214A16	12-14X1.00 HXWSSLD SERTYB	1.000 EA
35FH4005A39	IEC FH NO GREASER (#304 SS)CLEAN ONLY	1.000 EA
10XN1032S06	HEX HD CAP SCREW, SS	3.000 EA
36GS3008SP	WHITE NEOPREME KO BOX LID GASKET	1.000 EA
35CB4515	35 CB LID #304 STAINLESS STEEL	1.000 EA
59XN0832S07	8/32 X 7/16 HX WS HD SER X	4.000 EA
HW2502D13	SS KEY, 3/16 SQ X 1.375	1.000 EA
HA7000A04	KEY RETAINER 0.625 DIA SHAFTS	1.000 EA
MJ5001A27	32220KN GRAY SEALER *MIN BUY 4 QTS=1GAL	0.005 QT
MJ5004A37	#76732 LOCTITE ANTISEIZE THRD COMPOUND	0.005 EA

Parts List (continued)		
Part Number	Description	Quantity
HA5027A02	HA4054 T-DRAIN X2 BAGGED WITH LABEL	1.000 EA
MJ1000A02	GREASE, POLYREX EM EXXON (USe 4824-15A)	0.050 LB
WD5603A02	KIT, CLOSED-END LEAD SPLICE (18-14GA)	1.000 EA
HA3100S10	THRUBOLT 11.50LG SS	4.000 EA
36PA1000	PKG GRP, PRINT PK1016A06	1.000 EA
MN416A01	TAG-INSTAL-MAINT no wire (1200/bx) 11/14	1.000 EA
HA5027A07	85XU1208S08 FACE DRAIN PINS BAGGED	1.000 EA

AC Induction Motor Performance Data

Record # 35976 - Typical performance - not guaranteed values

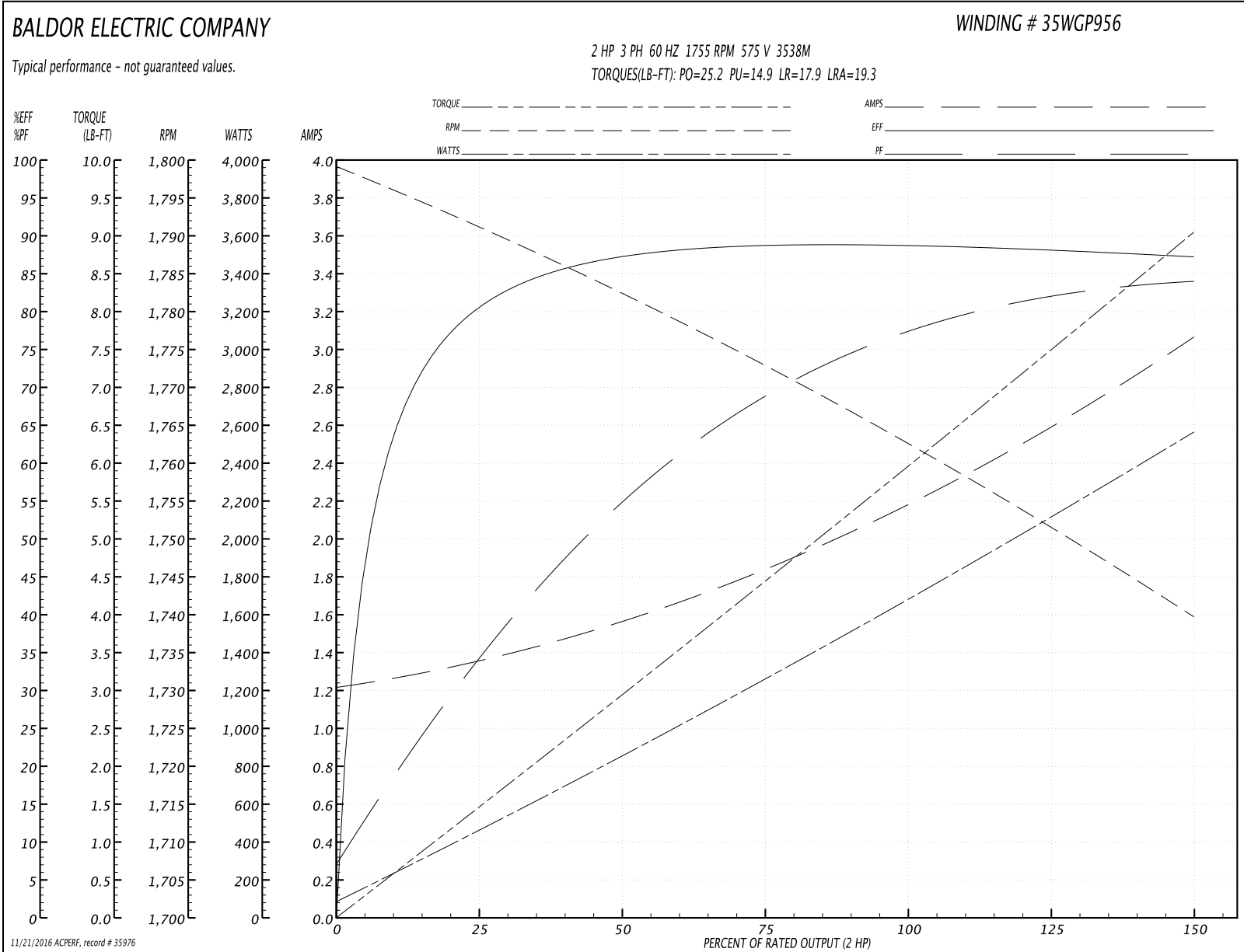
Winding: 35WGP956-R001	Type: 3538M	Enclosure: TEFC
-------------------------------	--------------------	------------------------

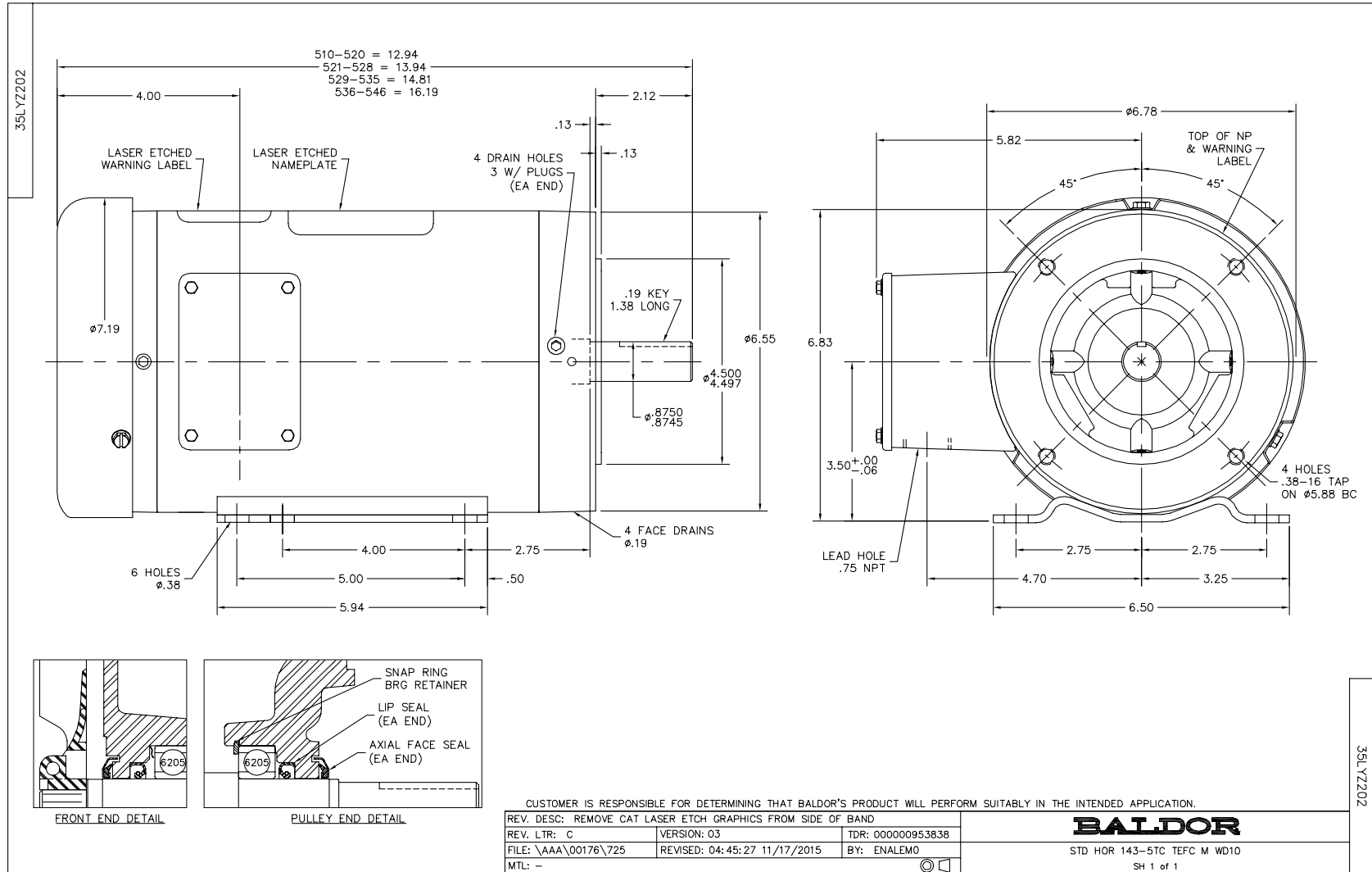
Nameplate Data				575 V, 60 Hz: Single Voltage Motor	
Rated Output (HP)	2			Full Load Torque	5.99 LB-FT
Volts	575			Start Configuration	direct on line
Full Load Amps	2.2			Breakdown Torque	25.2 LB-FT
R.P.M.	1755			Pull-up Torque	14.9 LB-FT
Hz	60	Phase	3	Locked-rotor Torque	17.9 LB-FT
NEMA Design Code	B	KVA Code	L	Starting Current	19.3 A
Service Factor (S.F.)	1.15			No-load Current	1.24 A
NEMA Nom. Eff.	88.5	Power Factor	78	Line-line Res. @ 25°C	10.7 Ω
Rating - Duty	40C AMB-CONT			Temp. Rise @ Rated Load	53°C
S.F. Amps				Temp. Rise @ S.F. Load	63°C
				Locked-rotor Power Factor	46
				Rotor inertia	0.225 LB-FT ²

Load Characteristics 575 V, 60 Hz, 2 HP

% of Rated Load	25	50	75	100	125	150	S.F.
Power Factor	35	55	69	77	82	84	80
Efficiency	80.7	87.1	88.7	88.8	88.2	87.2	88.4
Speed	1791	1783	1773	1762	1751	1740	1755
Line amperes	1.33	1.54	1.85	2.21	2.61	3.05	2.45

Performance Graph at 575V, 60Hz, 2.0HP Typical performance - Not guaranteed values





CD0006



NOTES:

1. THREE LEAD MOTOR MAY BE EITHER WYE CONNECTED OR DELTA CONNECTED.
2. INTERCHANGE ANY TWO LINE LEADS TO REVERSE ROTATION.
3. OPTIONAL THERMOSTATS ARE PROVIDED WHEN SPECIFIED.
4. ACTUAL NUMBER OF INTERNAL PARALLEL CIRCUITS MAY VARY.
5. LEAD COLORS ARE OPTIONAL. LEADS MUST BE NUMBERED AS SHOWN.

REV. DESC: REVISE TO SHOW OPTIONAL COLORS			
REV. LTR: D	BY: JLP	REVISED: 01/21/99 4:02	TDR: 0171435
9000D		FILE: AAA00005141	MDL: -
		MTL: -	

BALDOR ELECTRIC Co.

3PH, SV, 3 LEADS, WYE OR DELTA CONNECTED

CD0006