

BALDOR® • *RELIANCE*

Product Information Packet

EHM2334T

20HP,1765RPM,3PH,60HZ,256T,0952M,TEFC,F1

| Part Detail | | | | | | | |
|-------------|------|----------------|-------|-------------|----------|---------------|------------|
| Revision: | Q | Status: | PRD/A | Change #: | | Proprietary: | No |
| Type: | AC | Prod. Type: | 0952M | Elec. Spec: | 09WGY583 | CD Diagram: | CD0005 |
| Enclosure: | TEFC | Mfg Plant: | | Mech. Spec: | 09J970 | Layout: | 09LYJ970 |
| Frame: | 256T | Mounting: | F1 | Poles: | 04 | Created Date: | 12-12-2011 |
| Base: | RG | Rotation: | R | Insulation: | F | Eff. Date: | 01-26-2017 |
| Leads: | 9#10 | | | | | Replaced By: | |
| Literature: | | Elec. Diagram: | | | | | |

| Nameplate NP1259L | | | | | | | | | | |
|-------------------|--------------|--|------|----|----------------|------|--|----|----|---|
| CAT.NO. | EHM2334T | | | | | | | | | |
| SPEC. | 09J970Y583G1 | | | | | | | | | |
| HP | 20 | | | | | | | | | |
| VOLTS | 230/460 | | | | | | | | | |
| AMP | 48/24 | | | | | | | | | |
| RPM | 1765 | | | | | | | | | |
| FRAME | 256T | | | | HZ | 60 | | | PH | 3 |
| SER.F. | 1.15 | | CODE | H | DES | A | | CL | F | |
| NEMA-NOM-EFF | 93 | | PF | 84 | | | | | | |
| RATING | 40C AMB-CONT | | | | | | | | | |
| CC | 010A | | | | USABLE AT 208V | | | 51 | | |
| DE | 6309 | | | | ODE | 6208 | | | | |
| ENCL | TEFC | | SN | | | | | | | |
| | | | | | | | | | | |

| Parts List | | |
|--------------|--|----------|
| Part Number | Description | Quantity |
| SA235965 | SA 09J970Y583G1 | 1.000 EA |
| RA222918 | RA 09J970Y583G1 | 1.000 EA |
| 09FN3001D01 | EXTERNAL FAN, PLASTIC | 1.000 EA |
| HW1002A63 | WASHER, 5/8 HI-COLLAR SPRLCKWASHER | 1.000 EA |
| 09CB3002 | CB W/1.38 LEAD HOLE FOR 37, 39, 307 & 30 | 1.000 EA |
| 09GS1000 | GASKET-CONDUIT BOX, 1/16 THICK LEXIDE | 1.000 EA |
| 10XN2520K12 | 1/4-20 X.75 GRD 5 | 2.000 EA |
| HW1001A25 | LOCKWASHER 1/4, ZINC PLT .493 OD, .255 I | 2.000 EA |
| WD1000B17 | T&B CX35TN TERMINAL | 1.000 EA |
| 11XW1032G06 | 10-32 X .38, TAPTITE II, HEX WSHR SLTD U | 1.000 EA |
| 09FE1100A14 | FREP ASSEMBLY, 09EP1100A14 | 1.000 EA |
| XY3816A12 | 3/8-16 FINISHED NUT | 4.000 EA |
| HW1001A38 | LOCKWASHER 3/8, ZINC PLT .688 OD, .382 I | 4.000 EA |
| HW5100A08 | W3118-035 WVY WSHR (WB) | 1.000 EA |
| 10XN2520K28 | 1/4-20 X 1.75" HX HD SCRWGRADE 5, ZINC P | 2.000 EA |
| HW1001A25 | LOCKWASHER 1/4, ZINC PLT .493 OD, .255 I | 2.000 EA |
| 09EP1101A132 | PU ENDPLATE, MACH | 1.000 EA |
| 10XN2520K36 | 1/4-20 X 2.25" HX HD SCRWGRADE 5, ZINC P | 4.000 EA |
| HW1001A25 | LOCKWASHER 1/4, ZINC PLT .493 OD, .255 I | 4.000 EA |
| HA3113A02 | THRUBOLT 3/8-16 X 16.750 | 4.000 EA |
| HW1001A38 | LOCKWASHER 3/8, ZINC PLT .688 OD, .382 I | 4.000 EA |
| 09FH4000SP | FAN COVER, STAMPED | 1.000 EA |
| HA2081A05 | SPACER TUBE, 309 FAN HSG, 2.00 LONG | 4.000 EA |
| XY3816A12 | 3/8-16 FINISHED NUT | 4.000 EA |

| Parts List (continued) | | |
|------------------------|--|----------|
| Part Number | Description | Quantity |
| HW1001A38 | LOCKWASHER 3/8, ZINC PLT .688 OD, .382 I | 4.000 EA |
| 09CB3501 | CONDUIT BOX LID FOR 09CB3001 & 09CB3002 | 1.000 EA |
| 09GS1013 | 09 GS FOR 09CB3501 LID - LEXIDE | 1.000 EA |
| 51XW2520A12 | .25-20 X .75, TAPTITE II, HEX WSHR SLTD | 2.000 EA |
| HW2501G25 | KEY, 3/8 SQ X 2.875 | 1.000 EA |
| LB1115N | LABEL,LIFTING DEVICE (ON ROLLS) | 1.000 EA |
| MN416A01 | TAG-INSTAL-MAINT no wire (1000/bx) 11/14 | 1.000 EA |
| HA4051A00 | PLASTIC CAP FOR GREASE FITTING | 1.000 EA |
| HW4500A20 | 1/8NPT SL PIPE PLUG | 1.000 EA |
| HA4054 | SHORT T-DRAIN FITTING, .125" N.P.T. | 1.000 EA |
| HW4500A20 | 1/8NPT SL PIPE PLUG | 1.000 EA |
| MJ1000A02 | GREASE, POLYREX EM EXXON (USe 4824-15A) | 0.080 LB |
| HA4051A00 | PLASTIC CAP FOR GREASE FITTING | 1.000 EA |
| HW4500A20 | 1/8NPT SL PIPE PLUG | 1.000 EA |
| HA4054 | SHORT T-DRAIN FITTING, .125" N.P.T. | 1.000 EA |
| HW4500A20 | 1/8NPT SL PIPE PLUG | 1.000 EA |
| HW2500A25 | WOODRUFF KEY USA #1008 #BLOW CARBON STEE | 1.000 EA |
| 51XB1214A20 | 12-14X1.25 HXWSSLD SERTYB | 1.000 EA |
| MG1000G27 | MED CHARCOAL METALLIC GREY 400-0096 | 0.050 GA |
| 85XU0407S04 | 4X1/4 U DRIVE PIN STAINLESS | 2.000 EA |
| 84XN0540J08 | 5-40 X 1/2" SHCS, BLACK OXIDE | 2.000 EA |
| LB1119N | WARNING LABEL | 1.000 EA |
| LC0005 | CONN.DIA.,TY M,9-LD,DUAL VOLT,REVERSING | 1.000 EA |
| NP1259L | ALUM SUPER-E UL CSA-EEV CC NEMA PREMIUM | 1.000 EA |

| | | |
|----------|--------------------------------|----------|
| 09PA1000 | PACKAGING GROUP COMBINED PRINT | 1.000 EA |
| LB1350 | BAR CODE LABEL FOR YORK | 1.000 EA |

AC Induction Motor Performance Data
Record # 2056 - Typical performance - not guaranteed values

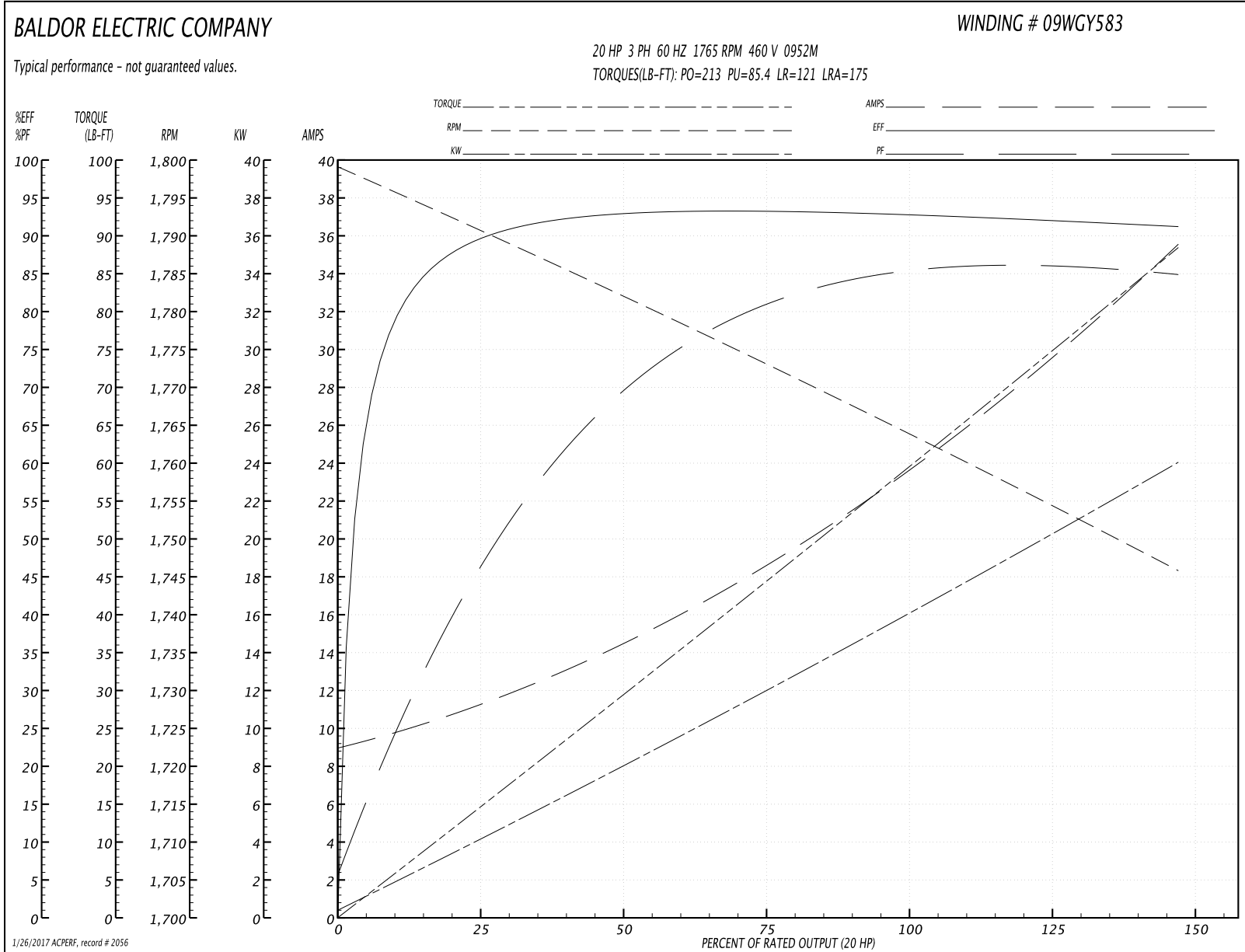
| | | |
|-------------------------------|--------------------|------------------------|
| Winding: 09WGY583-R001 | Type: 0952M | Enclosure: TEFC |
|-------------------------------|--------------------|------------------------|

| Nameplate Data | | | | 460 V, 60 Hz: High Voltage Connection | |
|-----------------------|--------------|--------------|----|--|-------------------------|
| Rated Output (HP) | 20 | | | Full Load Torque | 59 LB-FT |
| Volts | 230/460 | | | Start Configuration | direct on line |
| Full Load Amps | 48/24 | | | Breakdown Torque | 213 LB-FT |
| R.P.M. | 1765 | | | Pull-up Torque | 85.4 LB-FT |
| Hz | 60 | Phase | 3 | Locked-rotor Torque | 121 LB-FT |
| NEMA Design Code | A | KVA Code | H | Starting Current | 175 A |
| Service Factor (S.F.) | 1.15 | | | No-load Current | 9.41 A |
| NEMA Nom. Eff. | 93 | Power Factor | 84 | Line-line Res. @ 25°C | 0.426 Ω |
| Rating - Duty | 40C AMB-CONT | | | Temp. Rise @ Rated Load | 60°C |
| S.F. Amps | | | | Temp. Rise @ S.F. Load | 74°C |
| | | | | Locked-rotor Power Factor | 32.9 |
| | | | | Rotor inertia | 2.27 LB-FT ² |

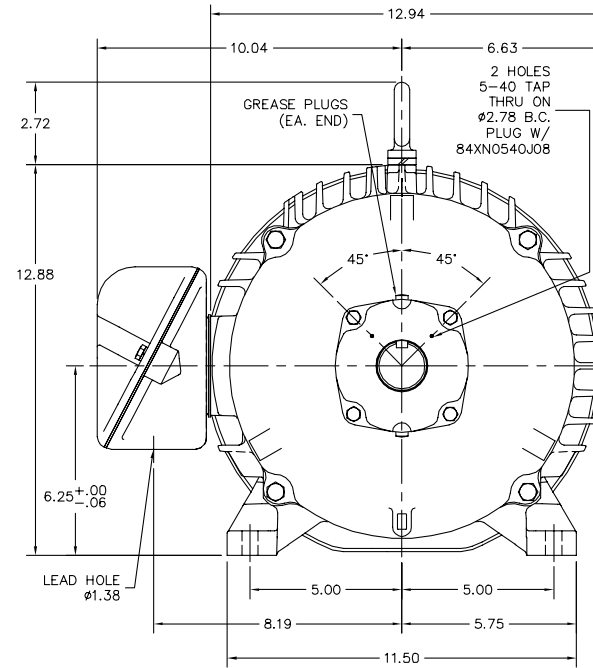
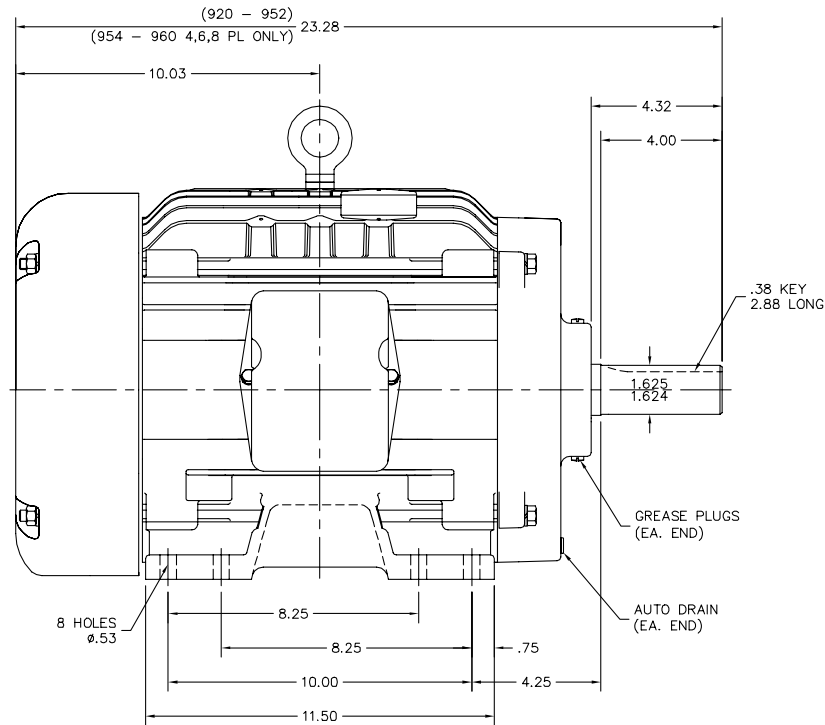
Load Characteristics 460 V, 60 Hz, 20 HP

| % of Rated Load | 25 | 50 | 75 | 100 | 125 | 150 | S.F. |
|-----------------|------|------|------|------|------|------|-------|
| Power Factor | 46 | 69 | 80 | 84 | 86 | 87 | 85 |
| Efficiency | 89 | 92.8 | 93.1 | 93 | 92.2 | 91.1 | 92.5 |
| Speed | 1791 | 1783 | 1770 | 1766 | 1756 | 1745 | 1760 |
| Line amperes | 10.7 | 14 | 19.1 | 23.7 | 29.1 | 35.4 | 26.94 |

Performance Graph at 460V, 60Hz, 20.0HP Typical performance - Not guaranteed values



09LY1970



09LY1970

CUSTOMER IS RESPONSIBLE FOR DETERMINING THAT BALDOR'S PRODUCT WILL PERFORM SUITABLY IN THE INTENDED APPLICATION.

| | | |
|---------------------------|------------------------------|-------------------|
| REV. DESC: REMOVE LOCKNUT | VERSION: 04 | TDR: 000000952626 |
| REV. LTR: D | REVISED: 04:01:34 11/09/2015 | BY: ENMARSO |
| FILE: \AAA\00187\565 | | |
| MTL: - | | |

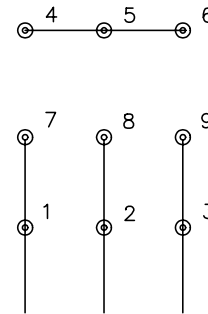
BALDOR

HORZ TEFC 254-6T W/ 1/2 RING SH GND MTG
SH 1 of 1

CD0005

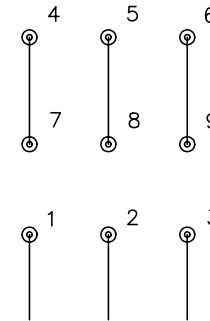


LOW VOLTAGE
(2Y)



LINE

HIGH VOLTAGE
(1Y)



LINE

NOTES:

1. INTERCHANGE ANY TWO LINE LEADS TO REVERSE ROTATION.
2. OPTIONAL THERMOSTATS ARE PROVIDED WHEN SPECIFIED.
3. ACTUAL NUMBER OF INTERNAL PARALLEL CIRCUITS MAY BE A MULTIPLE OF THOSE SHOWN ABOVE.
4. LEAD COLORS ARE OPTIONAL. LEADS MUST ALWAYS BE NUMBERED AS SHOWN.

| | | | |
|---|---------|-------------------------|--------------|
| REV. DESC: REVISE TO SHOW OPTIONAL COLORS | | | |
| REV. LTR: E | BY: JLP | REVISED: 01/19/99 10:15 | TDR: 0171435 |
| 90000 | | FILE: AAA00005140 | MDL: - |
| | | MTL: - | |

BALDOR ELECTRIC Co.

3PH, DV, 9 LEADS

CD0005

Marketing maintained PDF of MN416:

<http://www.baldor.com/support/Literature/Load.ashx/MN416?ManNumber=MN416>