

BALDOR® • **RELIANCE**

Product Information Packet

EJMM2394T-5

15HP,3490RPM,3PH,60HZ,254JM,0750M,TEFC,F

| Part Detail | | | | | | | |
|-------------|-------|----------------|-------|-------------|----------|---------------|------------|
| Revision: | A | Status: | PRD/A | Change #: | | Proprietary: | No |
| Type: | AC | Prod. Type: | 0750M | Elec. Spec: | 07WGR871 | CD Diagram: | CD0006 |
| Enclosure: | TEFC | Mfg Plant: | | Mech. Spec: | 07H300 | Layout: | 07LYH300 |
| Frame: | 254JM | Mounting: | F1 | Poles: | 02 | Created Date: | 08-13-2015 |
| Base: | RG | Rotation: | R | Insulation: | F | Eff. Date: | 10-16-2015 |
| Leads: | 3#14 | | | | | Replaced By: | |
| Literature: | | Elec. Diagram: | | | | | |

| | | | | | | | | | | |
|----------------------------|--------------|--|-------------|----|-----------------------|------|--|-----------|-----------|---|
| Nameplate NP3441L | | | | | | | | | | |
| CAT.NO. | EJMM2394T-5 | | | | | | | | | |
| SPEC. | 07H300R871G1 | | | | | | | | | |
| HP | 15 | | | | | | | | | |
| VOLTS | 575 | | | | | | | | | |
| AMP | 13.5 | | | | | | | | | |
| RPM | 3490 | | | | | | | | | |
| FRAME | 254JM | | | | HZ | 60 | | | PH | 3 |
| SER.F. | 1.15 | | CODE | H | DES | A | | CL | F | |
| NEMA-NOM-EFF | 91 | | PF | 91 | | | | | | |
| RATING | 40C AMB-CONT | | | | | | | | | |
| CC | 010A | | | | USABLE AT 208V | | | | | |
| DE | 6309 | | | | ODE | 6307 | | | | |
| ENCL | TEFC | | SN | | | | | | | |
| VPWM INVERTER READY | | | | | | | | | | |
| CT6-60H(10:1)VT3-60H(20:1) | | | | | | | | | | |
| | | | | | | | | | | |

| Parts List | | |
|-------------|--|----------|
| Part Number | Description | Quantity |
| SA305550 | SA 07H300R871G1 | 1.000 EA |
| RA292775 | RA 07H300R871G1 | 1.000 EA |
| 36FN3000C02 | EXFN, PLASTIC, 5.25 OD, 1.175 ID | 1.000 EA |
| HW3201A01 | 1/2-13 EYEBOLT | 1.000 EA |
| 09CB3002 | CB W/1.38 LEAD HOLE FOR 37, 39, 307 & 30 | 1.000 EA |
| 09GS1000 | GASKET-CONDUIT BOX, 1/16 THICK LEXIDE | 1.000 EA |
| 51XW2520A12 | .25-20 X .75, TAPTITE II, HEX WSHR SLTD | 2.000 EA |
| WD1000B17 | T&B CX35TN TERMINAL | 1.000 EA |
| 11XW1032G06 | 10-32 X .38, TAPTITE II, HEX WSHR SLTD U | 1.000 EA |
| 37PE1101A03 | FR/PU ENDPLATE, MACH | 1.000 EA |
| HW4500A01 | 1641B(ALEMITE)400 UNIV, GREASE FITT | 1.000 EA |
| HW5100A08 | W3118-035 WVY WSHR (WB) | 1.000 EA |
| 07EP1306A02 | ENDPLATE, MACH, W/TIGHT SLEEVE | 1.000 EA |
| HW4500A01 | 1641B(ALEMITE)400 UNIV, GREASE FITT | 1.000 EA |
| 10XN2520A36 | 1/4-20X 2 1/4 HEX HD X | 4.000 EA |
| HW1001A25 | LOCKWASHER 1/4, ZINC PLT .493 OD, .255 I | 4.000 EA |
| XY3118A12 | 5/16-18 HEX NUT DIRECTIONAL SERRATION | 4.000 EA |
| 07FH4007SP | PRIMED | 1.000 EA |
| 51XW1032A06 | 10-32 X .38, TAPTITE II, HEX WSHR SLTD S | 3.000 EA |
| 09CB3501 | CONDUIT BOX LID FOR 09CB3001 & 09CB3002 | 1.000 EA |
| 09GS1013 | 09 GS FOR 09CB3501 LID - LEXIDE | 1.000 EA |
| 51XW2520A12 | .25-20 X .75, TAPTITE II, HEX WSHR SLTD | 2.000 EA |
| HW4600B67 | V-RING SLINGER 1.770 X 2.170 X .28 VITON | 1.000 EA |
| 85XU0407S04 | 4X1/4 U DRIVE PIN STAINLESS | 2.000 EA |

| Parts List (continued) | | |
|-------------------------------|--|-----------------|
| Part Number | Description | Quantity |
| LB1115N | LABEL,LIFTING DEVICE (ON ROLLS) | 1.000 EA |
| MJ1000A02 | GREASE, POLYREX EM EXXON (USe 4824-15A) | 0.050 LB |
| HA3104A18 | THRUBOLT- 5/16-18 X14.000 | 4.000 EA |
| 51XB1214A20 | 12-14X1.25 HXWSSLD SERTYB | 1.000 EA |
| MG1000Y03 | MUNSELL 2.53Y 6.70/ 4.60, GLOSS 20, | 0.036 GA |
| HW2501E22 | KEY, 1/4 SQ X 2.500 | 1.000 EA |
| HA7000A02 | KEY RETAINER RING, 1 1/8 DIA, 1 3/8 DIA | 1.000 EA |
| LB1119N | WARNING LABEL | 1.000 EA |
| LC0006 | CONNECTION LABEL | 1.000 EA |
| NP3441L | ALUM SUPER-E VPWM INVERTER READY UL | 1.000 EA |
| 07PA1011 | PKG GRP, 07 CAST IRON PK1181 | 1.000 EA |
| 10XL3807A32 | 3/8 X 2" LAG SCREW TDR #49106 | 2.000 EA |
| MN416A01 | TAG-INSTAL-MAINT no wire (1000/bx) 11/14 | 1.000 EA |

AC Induction Motor Performance Data

Record # 52016 - Typical performance - not guaranteed values

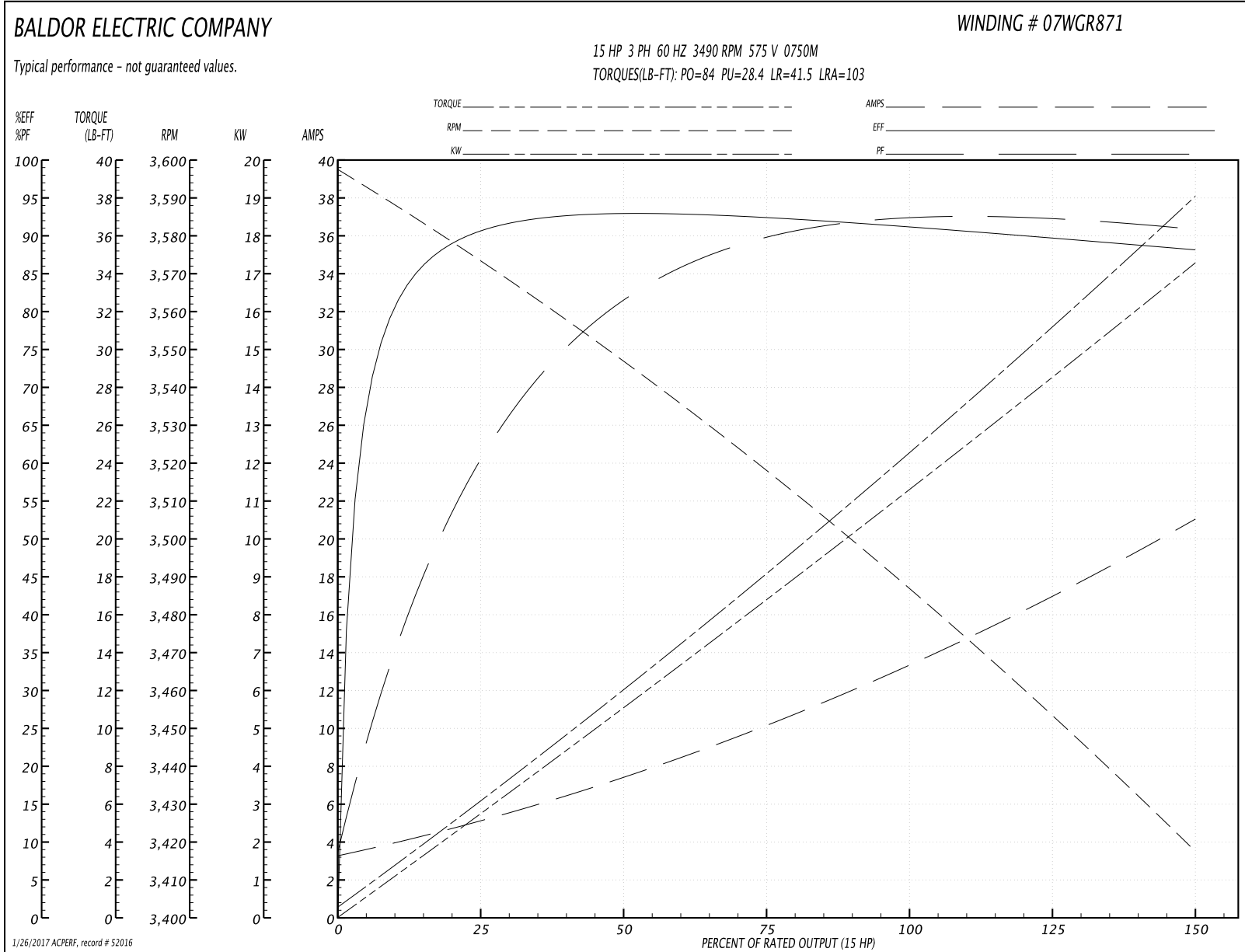
| | | |
|-------------------------------|--------------------|------------------------|
| Winding: 07WGR871-R001 | Type: 0750M | Enclosure: TEFC |
|-------------------------------|--------------------|------------------------|

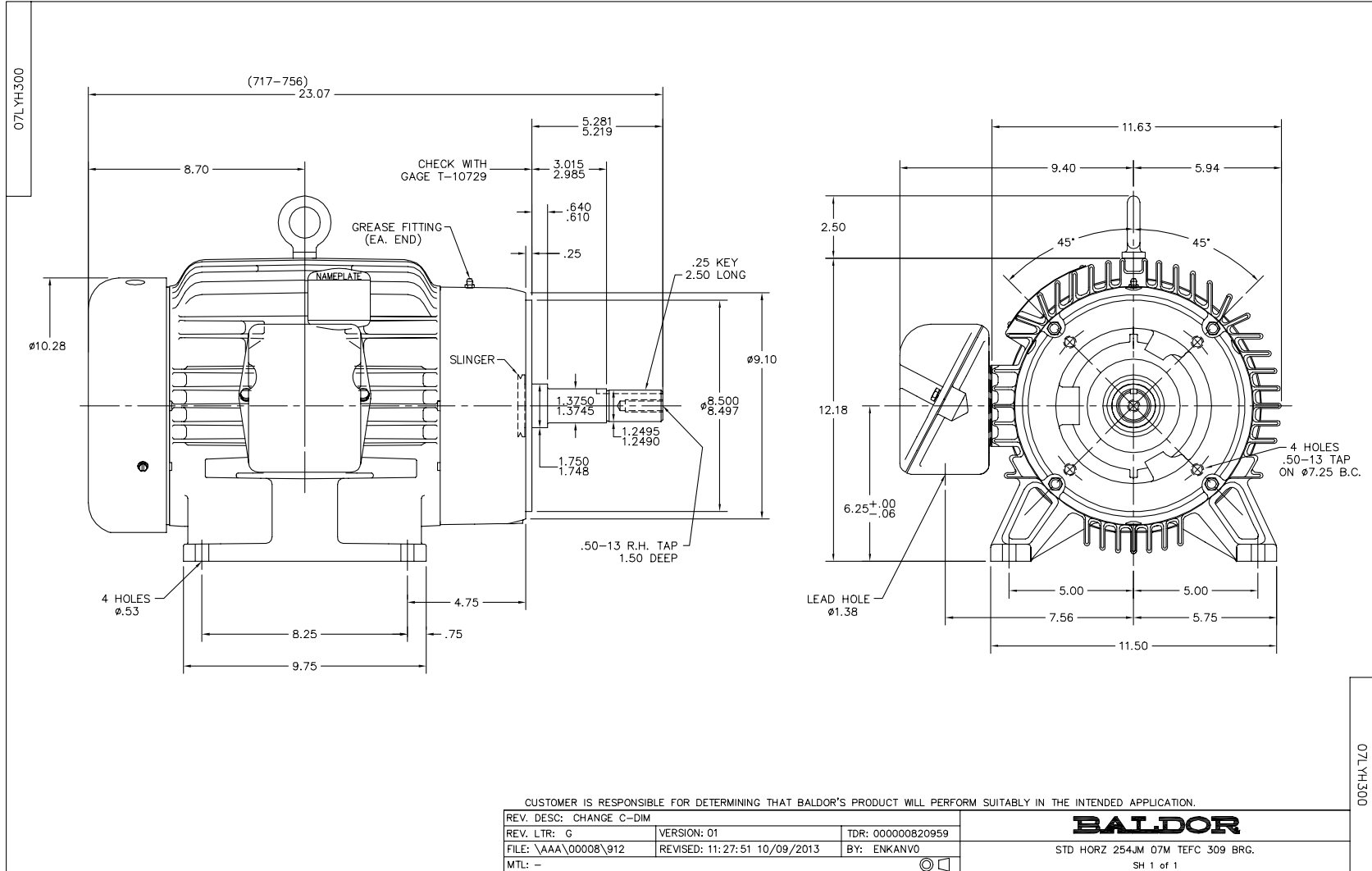
| Nameplate Data | | | | 575 V, 60 Hz: Single Voltage Motor | |
|-----------------------|--------------|--------------|----|---------------------------------------|--------------------------|
| Rated Output (HP) | 15 | | | Full Load Torque | 22.6 LB-FT |
| Volts | 575 | | | Start Configuration | direct on line |
| Full Load Amps | 13.5 | | | Breakdown Torque | 84 LB-FT |
| R.P.M. | 3490 | | | Pull-up Torque | 28.4 LB-FT |
| Hz | 60 | Phase | 3 | Locked-rotor Torque | 41.5 LB-FT |
| NEMA Design Code | A | KVA Code | H | Starting Current | 103 A |
| Service Factor (S.F.) | 1.15 | | | No-load Current | 3.53 A |
| NEMA Nom. Eff. | 91 | Power Factor | 91 | Line-line Res. @ 25°C | 0.921 Ω |
| Rating - Duty | 40C AMB-CONT | | | Temp. Rise @ Rated Load | 69°C |
| S.F. Amps | | | | Temp. Rise @ S.F. Load | 88°C |
| | | | | Locked-rotor Power Factor | 31.2 |
| | | | | Rotor inertia | 0.456 LB-FT ² |

Load Characteristics 575 V, 60 Hz, 15 HP

| % of Rated Load | 25 | 50 | 75 | 100 | 125 | 150 | S.F. |
|-----------------|------|------|------|------|------|------|------|
| Power Factor | 66 | 84 | 89 | 91 | 92 | 92 | 92 |
| Efficiency | 90.1 | 92.8 | 92.4 | 91.4 | 89.8 | 88.1 | 90.4 |
| Speed | 3571 | 3545 | 3518 | 3488 | 3454 | 3416 | 3468 |
| Line amperes | 4.82 | 7.35 | 10.3 | 13.5 | 17.2 | 20.9 | 15.7 |

Performance Graph at 575V, 60Hz, 15.0HP Typical performance - Not guaranteed values





CD0006



NOTES:

1. THREE LEAD MOTOR MAY BE EITHER WYE CONNECTED OR DELTA CONNECTED.
2. INTERCHANGE ANY TWO LINE LEADS TO REVERSE ROTATION.
3. OPTIONAL THERMOSTATS ARE PROVIDED WHEN SPECIFIED.
4. ACTUAL NUMBER OF INTERNAL PARALLEL CIRCUITS MAY VARY.
5. LEAD COLORS ARE OPTIONAL. LEADS MUST BE NUMBERED AS SHOWN.

| | | | |
|---|---------|------------------------|--------------|
| REV. DESC: REVISE TO SHOW OPTIONAL COLORS | | | |
| REV. LTR: D | BY: JLP | REVISED: 01/21/99 4:02 | TDR: 0171435 |
| 9000D | | FILE: AAA00005141 | MDL: - |
| | | MTL: - | |

BALDOR ELECTRIC Co.

3PH, SV, 3 LEADS, WYE OR DELTA CONNECTED

CD0006