

BALDOR® • RELIANCE

Product Information Packet

EJMM4103T

25HP, 1770RPM, 3PH, 60HZ, 284JM, 1046M, TEFC

| Part Detail | | | | | | | |
|-------------|-------|----------------|-------|-------------|----------|---------------|------------|
| Revision: | AN | Status: | PRD/A | Change #: | | Proprietary: | No |
| Type: | AC | Prod. Type: | 1046M | Elec. Spec: | 10WGX209 | CD Diagram: | CD0005 |
| Enclosure: | TEFC | Mfg Plant: | | Mech. Spec: | 10E380 | Layout: | 10LYE380 |
| Frame: | 284JM | Mounting: | F1 | Poles: | 04 | Created Date: | |
| Base: | RG | Rotation: | R | Insulation: | F | Eff. Date: | 01-04-2017 |
| Leads: | 9#10 | | | | | Replaced By: | |
| Literature: | | Elec. Diagram: | | | | | |

| Nameplate NP3443L | | | | | | | | | | |
|-------------------|--------------|--------|----------|---------------------|-------|-------------------------|---------|-------------------|--------|------|
| CAT.NO. | EJMM4103T | | | P/N | | | | ENCLOSURE | TEFC | |
| SPEC. | 10E380X209G1 | | CC | 010A | FRAME | 284JM | | S/N | | |
| HP | 25 | | | CLASS | F | HZ | 60 | | | |
| RPM | 1770 | | | PH | 3 | DES | A | | | |
| VOLT | 230/460 | | | KVA-CODE | G | | ODE BRG | 6309 | DE BRG | 6312 |
| AMP | 60/30 | | | USABLE AT 208V | | 63.3 | | | | |
| RATING | 40C AMB-CONT | | | NEMA-NOM-EFF | | 93.6 | | GREASE POLYREX EM | | |
| PF | 84 | SER.F. | 1.15 | VPWM INVERTER READY | | | | | | |
| HTR-VOLTS | | | HTR-AMPS | | | MAX. SPACE HEATER TEMP. | | | | |

| Parts List | | |
|----------------|--|----------|
| Part Number | Description | Quantity |
| SA047067 | SA 10E380X209G1 | 1.000 EA |
| RA042354 | RA 10E380X209G1 | 1.000 EA |
| S/P107-000-004 | SUPER-E(284 FR. & UP)-CL PLANT,POLYREX E | 1.000 EA |
| 10CB3000SP | STD KO BOX MODEL 310,312,314 MTRS W/2.00 | 1.000 EA |
| 12GS1000SP | GASKET | 1.000 EA |
| 10XN3118K12 | 5/16-18 X .75 GRADE 5, ZINC PLATED | 4.000 EA |
| HW1001A31 | LOCKWASHER 5/16, ZINC PLT.591 OD, .319 I | 4.000 EA |
| WD1000B16 | T&B CX70TN TERMINAL | 1.000 EA |
| 51XF2520A08 | SCREW, HEX SER SLT HD, ZN 1/4-20 X .50 L | 1.000 EA |
| HW4600B41 | V-RING SLINGER 2.125 X 2.880 X 0.280 | 1.000 EA |
| 10EP1106A01 | FR ENDPLATE, MACH | 1.000 EA |
| HA4051A00 | PLASTIC CAP FOR GREASE FITTING | 1.000 EA |
| 10XN3816K32 | BOLT, 3/8-16X2 HH YZ(5) | 4.000 EA |
| HW1001A38 | LOCKWASHER 3/8, ZINC PLT .688 OD, .382 I | 4.000 EA |
| HW5100A11 | W3917-042 WVY WSHR (WB) | 1.000 EA |
| 10EP1304A01 | PU ENDPLATE, MACH | 1.000 EA |
| HA4051A00 | PLASTIC CAP FOR GREASE FITTING | 1.000 EA |
| 10XN2520K32 | 1/4-20 X 2.00 HX HD SCRW GRADE 5, ZINC P | 2.000 EA |
| HW1001A25 | LOCKWASHER 1/4, ZINC PLT .493 OD, .255 I | 2.000 EA |
| 10XN3118K44 | 5/16-18 X 2.75" HEX HD, GRADE 5 | 4.000 EA |
| HW1001A31 | LOCKWASHER 5/16, ZINC PLT.591 OD, .319 I | 4.000 EA |
| 10XN3816K28 | 3/8-16 X 1.75 HEX HD CAP SCREW, GRADE 5 | 4.000 EA |
| HW1001A38 | LOCKWASHER 3/8, ZINC PLT .688 OD, .382 I | 4.000 EA |
| 10FH4000 | 310 FAN HOUSING STAMPED | 1.000 EA |

| Parts List (continued) | | |
|-------------------------------|--|-----------------|
| Part Number | Description | Quantity |
| 51XF2520A08 | SCREW, HEX SER SLT HD, ZN 1/4-20 X .50 L | 4.000 EA |
| 10CB3500SP | CONDUIT BOX LID, CAST | 1.000 EA |
| 10GS1000SP | GASKET, CONDUIT BOX LID | 1.000 EA |
| 51XW2520A12 | .25-20 X .75, TAPTITE II, HEX WSHR SLTD | 4.000 EA |
| HW2501E21 | KEY, 1/4 SQ X 2.375 | 1.000 EA |
| LB1115N | LABEL,LIFTING DEVICE (ON ROLLS) | 1.000 EA |
| HW4500A21 | 1618BALEMITE FITTING 825 UNIVERSAL | 1.000 EA |
| HA4017A01 | 1/8 X 4 GREASE EXT (F/S) | 1.000 EA |
| HW4500A17 | 317400 ALEMITE GREASE RELIEF | 1.000 EA |
| HA4054 | SHORT T-DRAIN FITTING, .125" N.P.T. | 1.000 EA |
| MJ1000A02 | GREASE, POLYREX EM EXXON (USe 4824-15A) | 0.130 LB |
| HW4500A03 | GREASE FITTING, .125 NPT 1610(ALEMITE) 8 | 1.000 EA |
| HW4500A17 | 317400 ALEMITE GREASE RELIEF | 1.000 EA |
| HA4054 | SHORT T-DRAIN FITTING, .125" N.P.T. | 1.000 EA |
| 09FN3001C02 | EXTERNAL FAN, PLASTIC | 1.000 EA |
| HW2500A25 | WOODRUFF KEY USA #1008 #BLOW CARBON STEE | 1.000 EA |
| 51XB1214A20 | 12-14X1.25 HXWSSLD SERTYB | 1.000 EA |
| MG1000Y03 | MUNSELL 2.53Y 6.70/ 4.60, GLOSS 20, | 0.125 GA |
| MN416A01 | TAG-INSTAL-MAINT no wire (1000/bx) 11/14 | 1.000 EA |
| 85XU0407S04 | 4X1/4 U DRIVE PIN STAINLESS | 4.000 EA |
| LC0005E02 | SPL CONN.DIA./WARN.LABEL(LC0005/LB1119) | 1.000 EA |
| NP3443L | SS SUPER-E UL CSA-EEV PREM CC | 1.000 EA |
| 10PA1000 | PACKAGING GROUP COMBINED PRINT PK1023A06 | 1.000 EA |

AC Induction Motor Performance Data
Record # 2546 - Typical performance - not guaranteed values

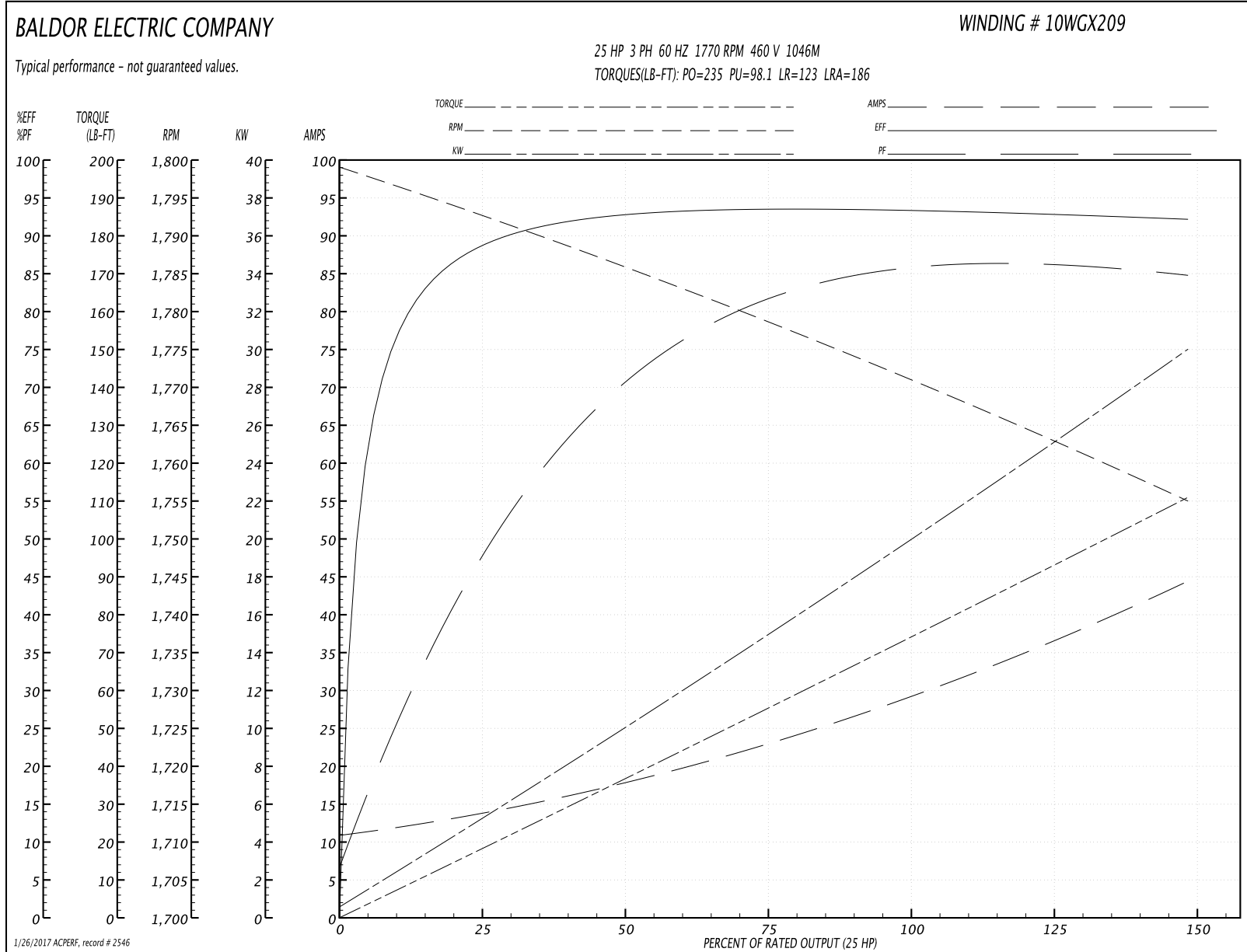
| | | |
|-------------------------------|--------------------|------------------------|
| Winding: 10WGX209-R001 | Type: 1046M | Enclosure: TEFC |
|-------------------------------|--------------------|------------------------|

| Nameplate Data | | | | 460 V, 60 Hz: High Voltage Connection | |
|-----------------------|--------------|--------------|----|--|-------------------------|
| Rated Output (HP) | 25 | | | Full Load Torque | 74.2 LB-FT |
| Volts | 230/460 | | | Start Configuration | direct on line |
| Full Load Amps | 60/30 | | | Breakdown Torque | 235 LB-FT |
| R.P.M. | 1770 | | | Pull-up Torque | 98.1 LB-FT |
| Hz | 60 | Phase | 3 | Locked-rotor Torque | 123 LB-FT |
| NEMA Design Code | A | KVA Code | G | Starting Current | 186 A |
| Service Factor (S.F.) | 1.15 | | | No-load Current | 11.3 A |
| NEMA Nom. Eff. | 93.6 | Power Factor | 84 | Line-line Res. @ 25°C | 0.307 Ω |
| Rating - Duty | 40C AMB-CONT | | | Temp. Rise @ Rated Load | 52°C |
| S.F. Amps | | | | Temp. Rise @ S.F. Load | 63°C |
| | | | | Locked-rotor Power Factor | 32.6 |
| | | | | Rotor inertia | 3.66 LB-FT ² |

Load Characteristics 460 V, 60 Hz, 25 HP

| % of Rated Load | 25 | 50 | 75 | 100 | 125 | 150 | S.F. |
|-----------------|------|------|------|------|------|------|------|
| Power Factor | 50 | 73 | 81 | 85 | 86 | 85 | 86 |
| Efficiency | 88.7 | 92.3 | 93.5 | 93.6 | 93.1 | 92 | 93.3 |
| Speed | 1793 | 1785 | 1779 | 1771 | 1763 | 1755 | 1766 |
| Line amperes | 13.3 | 17.6 | 23.3 | 29.6 | 36.5 | 44.2 | 33.7 |

Performance Graph at 460V, 60Hz, 25.0HP Typical performance - Not guaranteed values



AC Induction Motor Performance Data

Record # 36426 - Typical performance - not guaranteed values

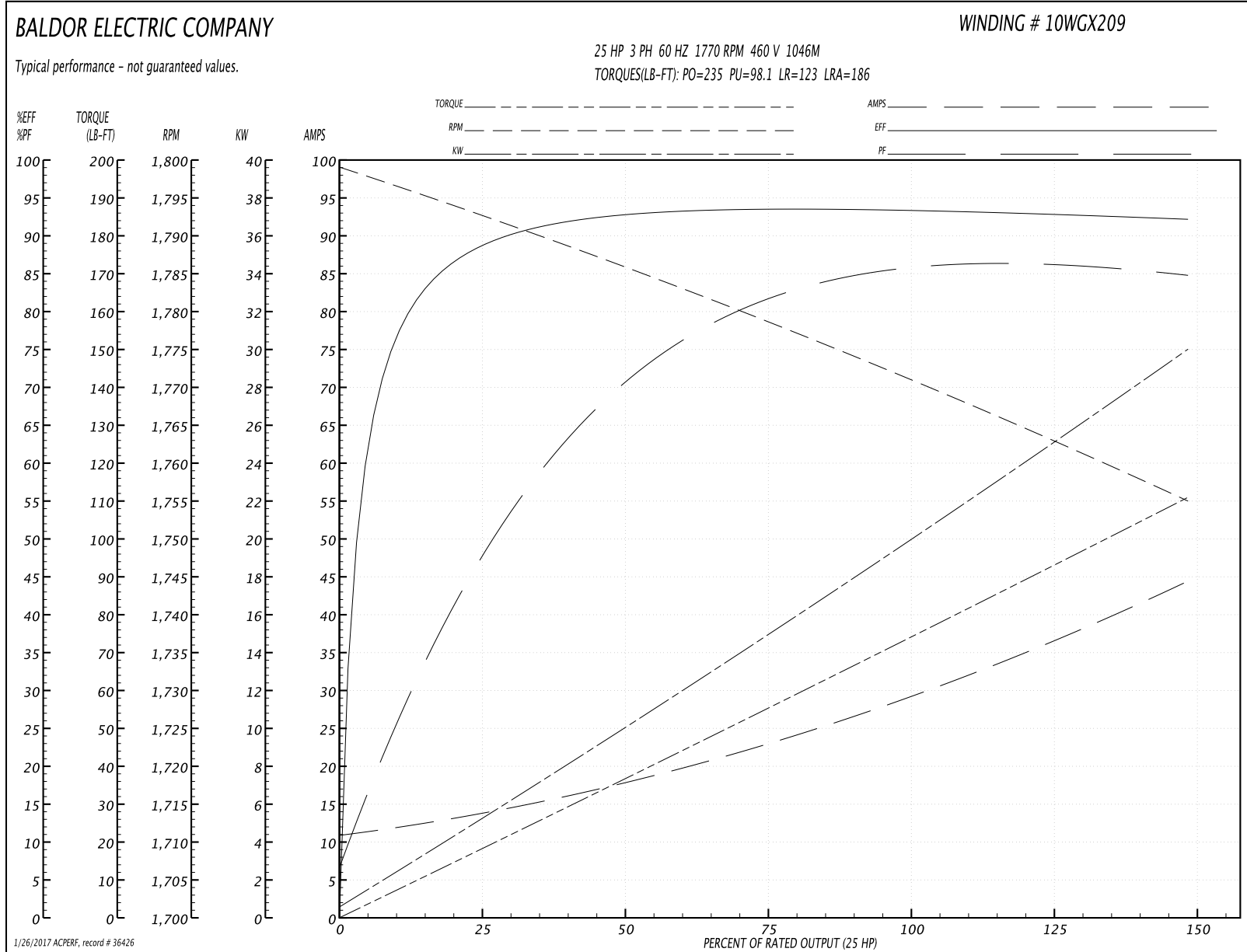
| | | |
|-------------------------------|--------------------|------------------------|
| Winding: 10WGX209-R017 | Type: 1046M | Enclosure: TEFC |
|-------------------------------|--------------------|------------------------|

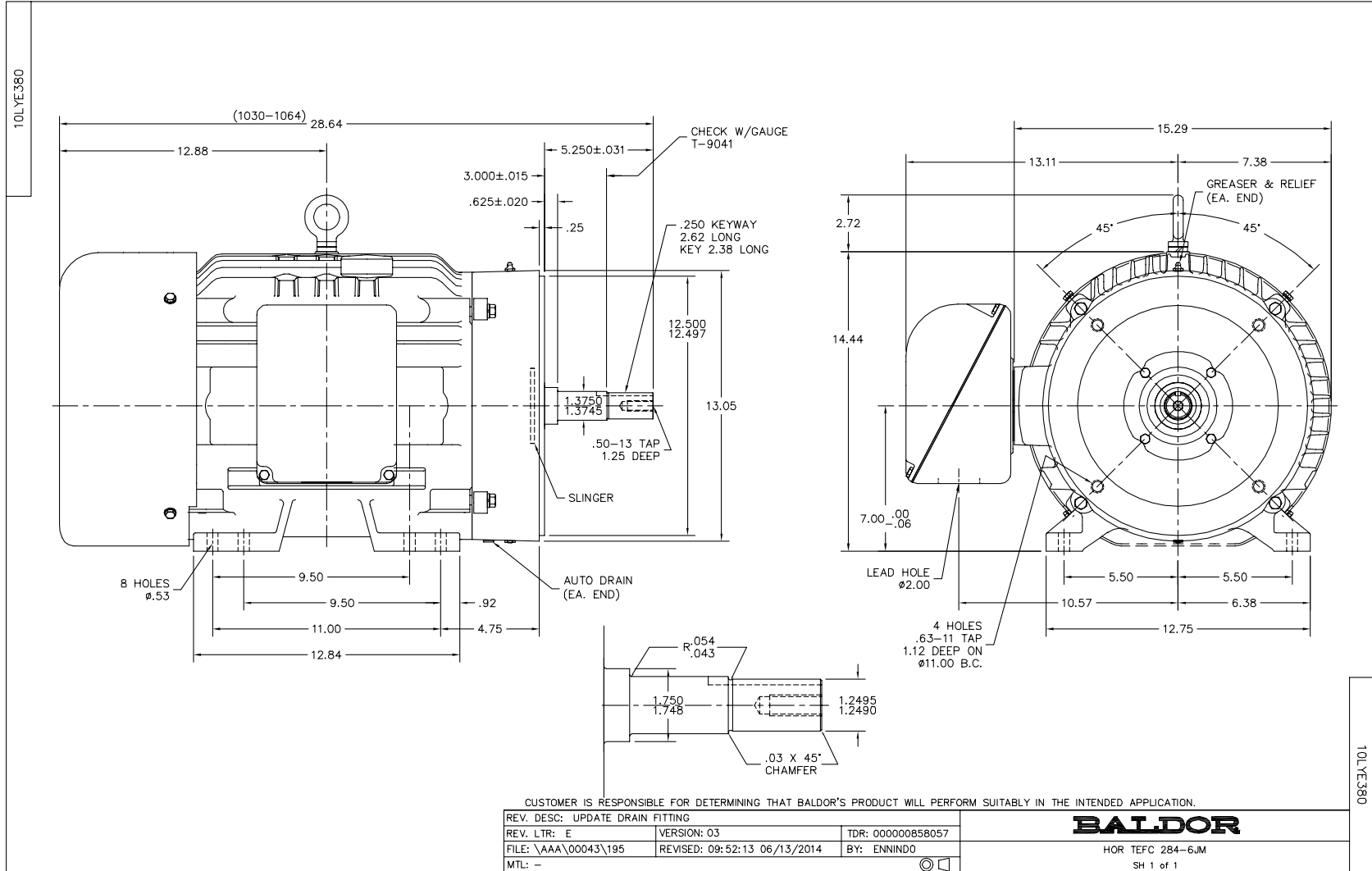
| Nameplate Data | | | | 460 V, 60 Hz: High Voltage Connection | |
|-----------------------|--------------|--------------|----|--|-------------------------|
| Rated Output (HP) | 25 | | | Full Load Torque | 74.2 LB-FT |
| Volts | 230/460 | | | Start Configuration | direct on line |
| Full Load Amps | 60/30 | | | Breakdown Torque | 235 LB-FT |
| R.P.M. | 1770 | | | Pull-up Torque | 98.1 LB-FT |
| Hz | 60 | Phase | 3 | Locked-rotor Torque | 123 LB-FT |
| NEMA Design Code | A | KVA Code | G | Starting Current | 186 A |
| Service Factor (S.F.) | 1.15 | | | No-load Current | 11.3 A |
| NEMA Nom. Eff. | 93.6 | Power Factor | 84 | Line-line Res. @ 25°C | 0.307 Ω |
| Rating - Duty | 40C AMB-CONT | | | Temp. Rise @ Rated Load | 52°C |
| S.F. Amps | | | | Temp. Rise @ S.F. Load | 63°C |
| | | | | Locked-rotor Power Factor | 33 |
| | | | | Rotor inertia | 3.66 LB-FT ² |

Load Characteristics 460 V, 60 Hz, 25 HP

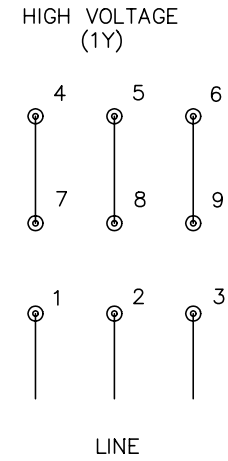
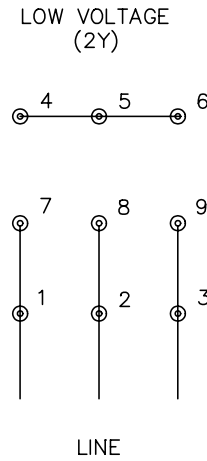
| % of Rated Load | 25 | 50 | 75 | 100 | 125 | 150 | S.F. |
|-----------------|------|------|------|------|------|------|------|
| Power Factor | 50 | 73 | 81 | 85 | 86 | 85 | 86 |
| Efficiency | 88.7 | 92.3 | 93.5 | 93.6 | 93.1 | 92 | 93.3 |
| Speed | 1793 | 1785 | 1779 | 1771 | 1763 | 1755 | 1766 |
| Line amperes | 13.3 | 17.6 | 23.3 | 29.6 | 36.5 | 44.2 | 33.7 |

Performance Graph at 460V, 60Hz, 25.0HP Typical performance - Not guaranteed values





CD0005



- NOTES:
1. INTERCHANGE ANY TWO LINE LEADS TO REVERSE ROTATION.
 2. OPTIONAL THERMOSTATS ARE PROVIDED WHEN SPECIFIED.
 3. ACTUAL NUMBER OF INTERNAL PARALLEL CIRCUITS MAY BE A MULTIPLE OF THOSE SHOWN ABOVE.
 4. LEAD COLORS ARE OPTIONAL. LEADS MUST ALWAYS BE NUMBERED AS SHOWN.

| | | | |
|---|---------|-------------------------|--------------|
| REV. DESC: REVISE TO SHOW OPTIONAL COLORS | | | |
| REV. LTR: E | BY: JLP | REVISED: 01/19/99 10:15 | TDR: 0171435 |
| 9000D | | FILE: AAA00005140 | MDL: - |
| | | MTL: - | |

BALDOR ELECTRIC Co.

3PH, DV, 9 LEADS

CD0005