

# **BALDOR**® • ***RELIANCE***

## **Product Information Packet**

# **EL11209**

**.5HP,1725RPM,1PH,60HZ,48,3424LC,OPEN,F1**

Part Detail							
Revision:	D	Status:	PRD/A	Change #:		Proprietary:	No
Type:	AC	Prod. Type:	3424LC	Elec. Spec:	34WGR141	CD Diagram:	CD0055
Enclosure:	OPEN	Mfg Plant:		Mech. Spec:	34F868	Layout:	34LYF868
Frame:	48	Mounting:	F1	Poles:	04	Created Date:	09-26-2014
Base:	RG	Rotation:	R	Insulation:	B	Eff. Date:	01-06-2016
Leads:	6#18					Replaced By:	
Literature:		Elec. Diagram:					

Nameplate NP3155L												
CAT.NO.	EL11209											
SPEC.	34F868R141G1											
HP	.5											
VOLTS	115/230											
AMP	4.7/2.35											
RPM	1725											
FRAME	48					HZ	60			PH	1	
SER.F.	1.25					CODE	K		DES	N	CL	B
F.L. AVG. EFF.	76.2					PF	98					
RATING	40C AMB-CONT											
CC									USABLE AT 208V	3.2		
DE	6203					ODE	6203					
ENCL	OPEN					SN						
	SFA 5.9/2.95											

Parts List		
Part Number	Description	Quantity
SA287674	SA 34F868R141G1	1.000 EA
RA273882	RA 34F868R141G1	1.000 EA
OC3030F11SP	CYL OIL CAP 30MFD/370V	1.000 EA
EC1324A02	ELEC CAP, 324-389 MFD, 125V, 1.48D X 3.	1.000 EA
NS2512A01	INSULATOR, CONDUIT BOX X	1.000 EA
34CB3002A	CB CAST W/.88 DIA HOLE	1.000 EA
51XB1016A07	10-16 X 7/16 HXWSSLD SERTYB	2.000 EA
11XW1032G06	10-32 X .38, TAPTITE II, HEX WSHR SLTD U	1.000 EA
51XW0832A07	8-32 X .44, TAPTITE II, HEX WSHR SLTD SE	2.000 EA
SP1006A01	TERM. BOARD, MODE 35 SW X H-23655	1.000 EA
34EP3210A01SP	FR ENDPLATE, MACH	1.000 EA
34CB3801	CAPACITOR BOX, DIE CAST	1.000 EA
51XB1214A08	12-14 X 1/2HX WS SL SR TYBX	2.000 EA
34GS5003A01	FOAM SLEEVE, ID = 2 1/16" X 4 3/8"	1.000 EA
HW5100A03SP	WAVY WASHER (W1543-017)	1.000 EA
34EP3212A02	PU ENDPLATE, MODEL 34 OPEN	1.000 EA
XY1032A02	10-32 HEX NUT DIRECTIONAL SERRATION	4.000 EA
34CB4517	CB LID 4 MTG HOLES .22 DIA STAMPED, FOR	1.000 EA
51XW0832A07	8-32 X .44, TAPTITE II, HEX WSHR SLTD SE	4.000 EA
MG1000Y03	MUNSELL 2.53Y 6.70/ 4.60, GLOSS 20,	0.014 GA
10XF0440S02	04-40 X 1/8 TYPE F HEX HD STAINLESS STIC	2.000 EA
HA3100A45	THRUBOLT 10-32 X 8.875	4.000 EA
SP5051B17	MDL 34 TORQ STAT SW,TYPE LC, STD F1 & F2	1.000 EA
LC0001A01	CONN LABEL / WARNING LABEL (LC0001 / LB1	1.000 EA

<b>Parts List (continued)</b>		
<b>Part Number</b>	<b>Description</b>	<b>Quantity</b>
MN416A01	TAG-INSTAL-MAINT no wire (1000/bx) 11/14	1.000 EA
NP3155L	ALUM SUPER-E UL CSA CC "SEMS"	1.000 EA
35PA1000	PKG GRP, PRINT PK1008A06	1.000 EA

**AC Induction Motor Performance Data**

Record # 47421 - Typical performance - not guaranteed values

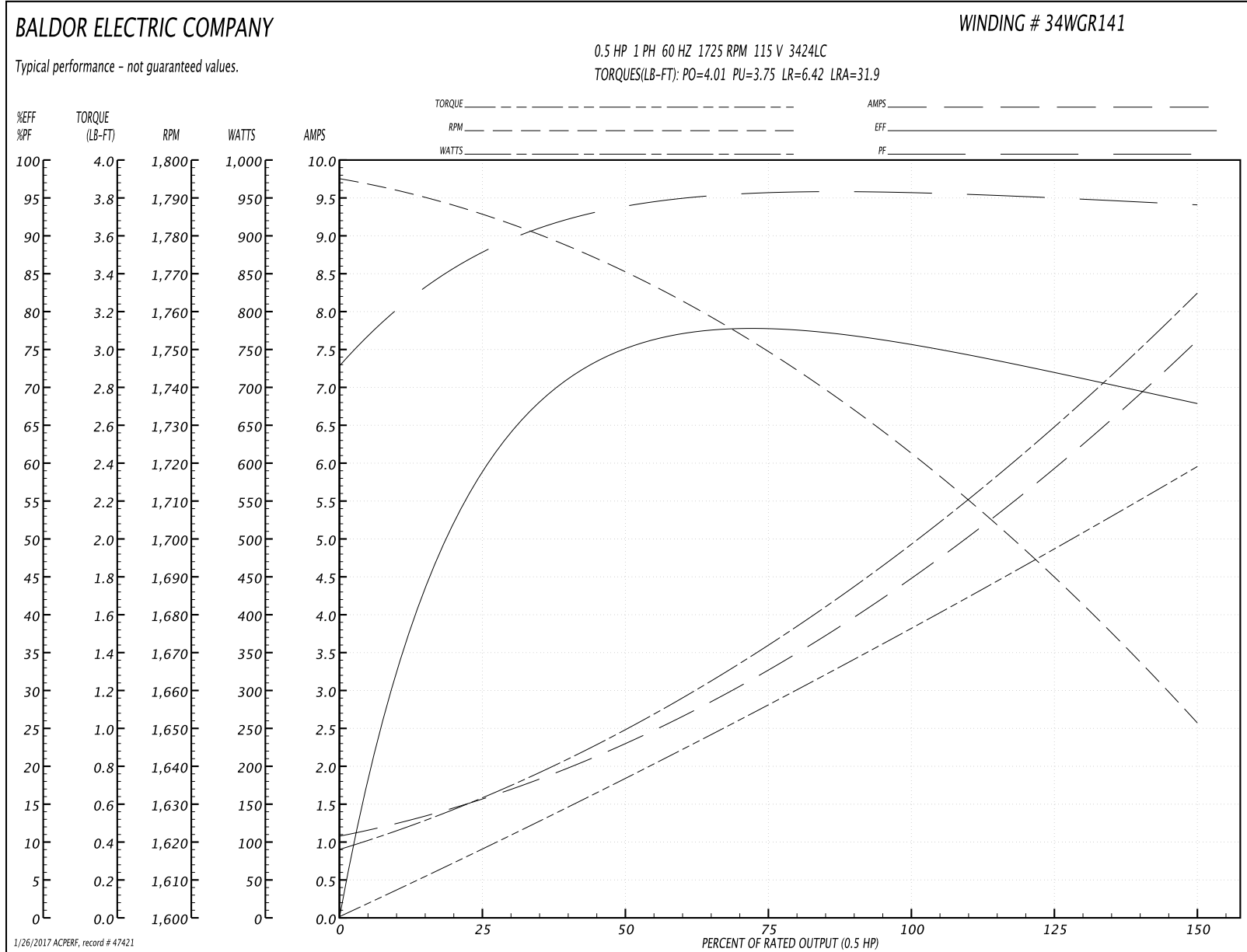
<b>Winding:</b> 34WGR141-R002	<b>Type:</b> 3424LC	<b>Enclosure:</b> OPEN
-------------------------------	---------------------	------------------------

Nameplate Data				115 V, 60 Hz: Low Voltage Connection	
Rated Output (HP)	.5			Full Load Torque	1.51 LB-FT
Volts	115/230			Start Configuration	direct on line
Full Load Amps	4.7/2.35			Breakdown Torque	4.01 LB-FT
R.P.M.	1725			Pull-up Torque	3.75 LB-FT
Hz	60	Phase	1	Locked-rotor Torque	6.42 LB-FT
NEMA Design Code	N	KVA Code	K	Starting Current	31.9 A
Service Factor (S.F.)	1.25			No-load Current	1.06 A
NEMA Nom. Eff.	76.2	Power Factor	98	Line-line Res. @ 25°C	1.6786 Ω A Ph 2.0496 Ω B Ph
Rating - Duty	40C AMB-CONT			Temp. Rise @ Rated Load	37°C
S.F. Amps	5.9/2.95			Temp. Rise @ S.F. Load	55°C

Load Characteristics 115 V, 60 Hz, 0.5 HP

% of Rated Load	25	50	75	100	125	150	S.F.
Power Factor	89	94	95	95	95	94	95
Efficiency	59.9	73	76.8	76.6	73.3	67.1	73.3
Speed	1782.8	1767.7	1748.6	1726.8	1694.2	1648.1	1694
Line amperes	1.56	2.34	3.34	4.39	5.8	7.69	5.8

Performance Graph at 115V, 60Hz, 0.5HP Typical performance - Not guaranteed values



**AC Induction Motor Performance Data**

Record # 49328 - Typical performance - not guaranteed values

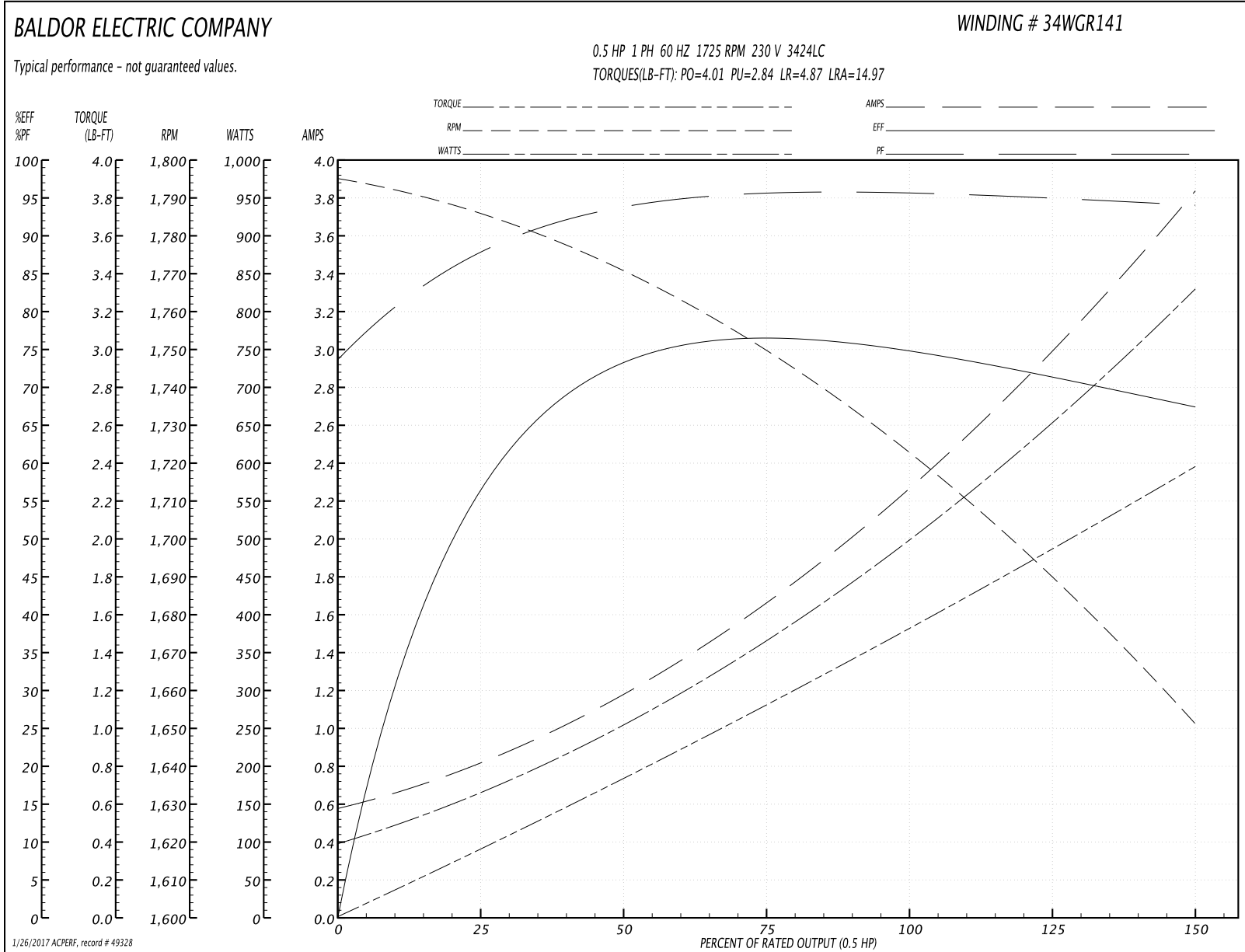
<b>Winding:</b> 34WGR141-R002	<b>Type:</b> 3424LC	<b>Enclosure:</b> OPEN
-------------------------------	---------------------	------------------------

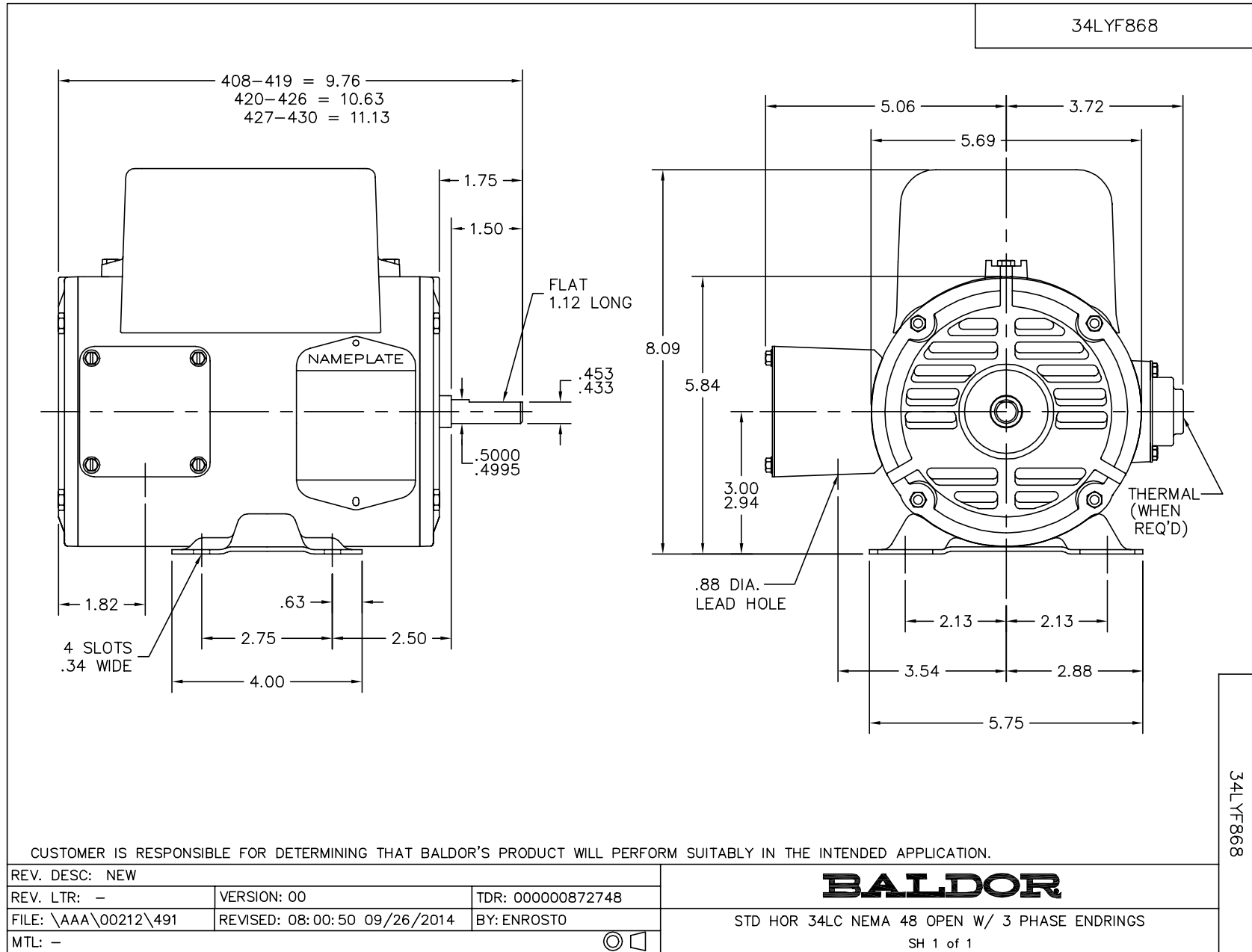
Nameplate Data				230 V, 60 Hz: High Voltage Connection	
Rated Output (HP)	.5			Full Load Torque	1.51 LB-FT
Volts	115/230			Start Configuration	direct on line
Full Load Amps	4.7/2.35			Breakdown Torque	4.01 LB-FT
R.P.M.	1725			Pull-up Torque	2.84 LB-FT
Hz	60	Phase	1	Locked-rotor Torque	4.87 LB-FT
NEMA Design Code	N	KVA Code	K	Starting Current	14.97 A
Service Factor (S.F.)	1.25			No-load Current	0.571 A
NEMA Nom. Eff.	76.2	Power Factor	98	Line-line Res. @ 25°C	6.38 Ω A Ph 2.09 Ω B Ph
Rating - Duty	40C AMB-CONT			Temp. Rise @ Rated Load	40°C
S.F. Amps	5.9/2.95			Temp. Rise @ S.F. Load	53°C
				Rotor inertia	0.057 LB-FT <sup>2</sup>

Load Characteristics 230 V, 60 Hz, 0.5 HP

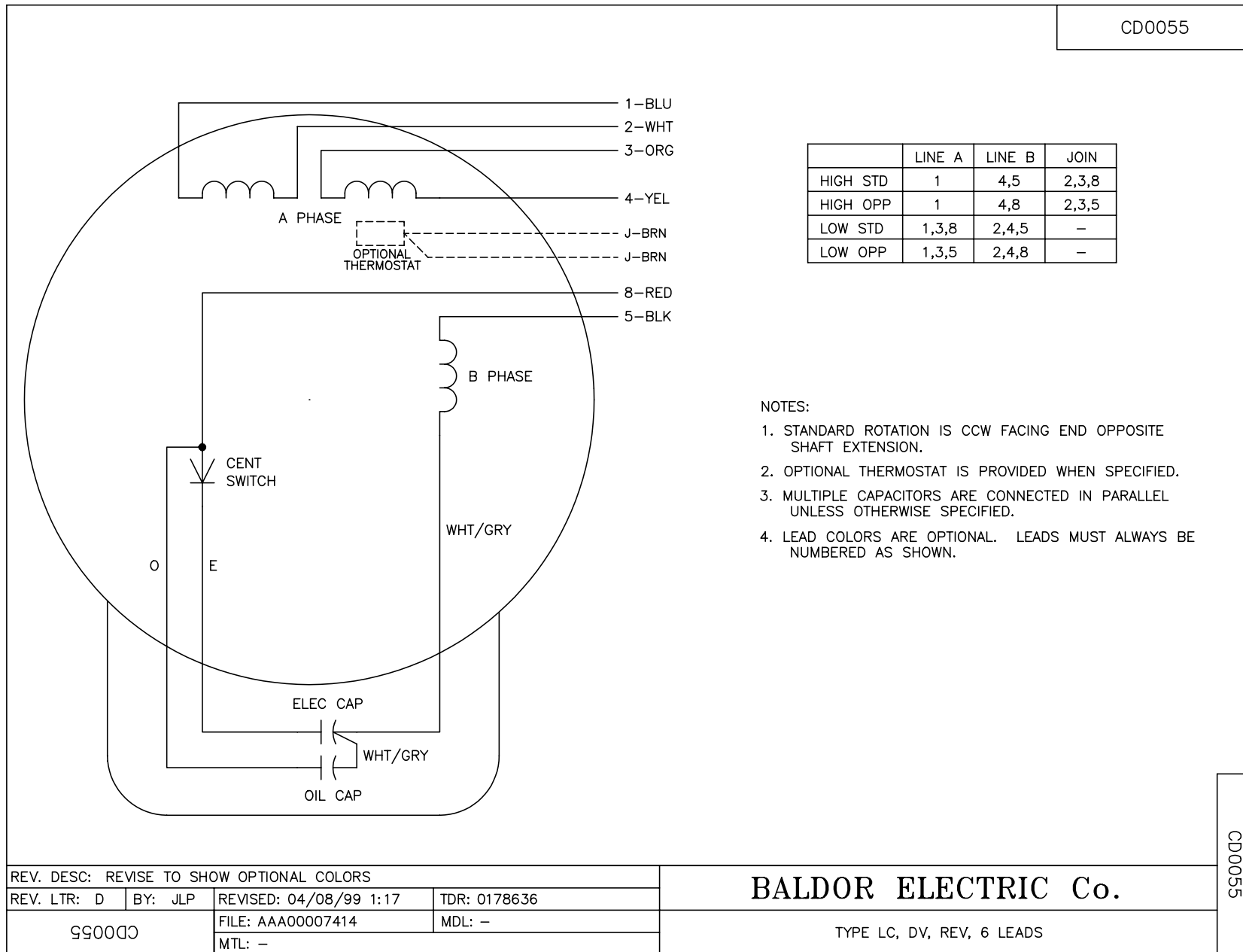
% of Rated Load	25	50	75	100	125	150	S.F.
Power Factor	89	93	95	96	95	94	95
Efficiency	57.8	71.3	75.5	75.6	72.6	66.9	72.6
Speed	1783	1768	1749	1727	1694	1648	1694
Line amperes	0.809	1.2	1.7	2.22	2.93	3.87	2.93

Performance Graph at 230V, 60Hz, 0.5HP Typical performance - Not guaranteed values





CD0055



REV. DESC: REVISE TO SHOW OPTIONAL COLORS			
REV. LTR: D	BY: JLP	REVISED: 04/08/99 1:17	TDR: 0178636
990000		FILE: AAA00007414	MDL: -
		MTL: -	

**BALDOR ELECTRIC Co.**

TYPE LC, DV, REV, 6 LEADS

CD0055