

# **BALDOR® • RELIANCE**

## **Product Information Packet**

### **EM2548T-4CI**

**60HP, 1185RPM, 3PH, 60HZ, 404T, M400MAG, OPEN,**

Part Detail							
Revision:	J	Status:	PRD/A	Change #:		Proprietary:	No
Type:	AC	Prod. Type:	A40052M	Elec. Spec:	A40WG0475	CD Diagram:	416820-008
Enclosure:	DP	Mfg Plant:		Mech. Spec:		Layout:	611750-001
Frame:	404T	Mounting:	F1	Poles:	06	Created Date:	10-19-2010
Base:		Rotation:	R	Insulation:	F	Eff. Date:	09-26-2016
Leads:	6#6					Replaced By:	
Literature:		Elec. Diagram:					

Nameplate NP2381L			
SPEC NO.	P40G4411	CAT.NO.	EM2548T-4CI
HP	60	PHASE	3
RPM	1185	HZ	60
VOLTS	460	DUTY	CONT
AMPS	70.4	ENCL	DP
DRIVE END BEARING	80BC03J30X	NEMA-NOM-EFFICIENCY	95
OPP D.E. BEARING	80BC03J30X		
SER.NO.			
			MOTOR WEIGHT 1009

Parts List		
Part Number	Description	Quantity
SA206547	SA P40G4411	1.000 EA
RA193814	RA P40G4411	1.000 EA
000613006PU	N/P (RELEASE QTY 10,000) UL CSA LABLE	1.000 EA
NP2381L	SUPER-E ,SS, CSA,CSA SUPER-3	1.000 EA
000692000VD	LABEL WARNING	1.000 EA
004824015A	GREASE POLYREX EM	0.884 LB
032018010AK	HHCS 1/4-20X1-1/4L PLTD.	4.000 EA
032018020DK	HHCS 1/2-13X2-1/2 PLTD.	2.000 EA
032018026DK	HHCS 1/2-13X3-1/4L PLTD.	2.000 EA
032018030CK	HHCS 3/8-16X3-3/4 PLATED	3.000 EA
034000012AB	WSHR 1/4 STD. PLATED	4.000 EA
034017012AB	LCKW 1/4 STD. PLATED	4.000 EA
035000001A	ALFTG 1/8" 1610-BL	1.000 EA
035000001A	ALFTG 1/8" 1610-BL	1.000 EA
034690002AB	"unbulked" PPLG 1/4" PLTD.	1.000 EA
089407052A	BRKT 400 089407052WCB	1.000 EA
405851012AD	SPACE	4.000 EA
410700000DA	WAVY SPRING WASHER	1.000 EA
702609001A	BAFFL 400 SUB PAINT	1.000 EA
032018010AK	HHCS 1/4-20X1-1/4L PLTD.	4.000 EA
032018020DK	HHCS 1/2-13X2-1/2 PLTD.	2.000 EA
032018026DK	HHCS 1/2-13X3-1/4L PLTD.	2.000 EA
032018030CK	HHCS 3/8-16X3-3/4 PLATED	3.000 EA
034000012AB	WSHR 1/4 STD. PLATED	4.000 EA

Parts List (continued)		
Part Number	Description	Quantity
034017012AB	LCKW 1/4 STD. PLATED	4.000 EA
034690002AB	"unbulked" PPLG 1/4" PLTD.	1.000 EA
089407052A	BRKT 400 089407052WCB	1.000 EA
405851012AD	SPACE	4.000 EA
702609001A	BAFFL 400 SUB PAINT	1.000 EA
032018010CK	HHCS 3/8-16X1-1/4 PLTD.	4.000 EA
033512008LB	HHTTS 1/4-20X1 PLATED	4.000 EA
048897010DH	BUSH - 400	1.000 EA
067053000B	GASK 320-400	1.000 EA
076708000BB	C/B - 360	1.000 EA
076709000A	C/B - 360	1.000 EA
415000103H	TERMINAL LUG	1.000 EA
MG1000Y03	MUNSELL 2.53Y 6.70/ 4.60, GLOSS 20,	0.250 GA
033775004EA	DRSCR #6-1/4 304 S.S.	4.000 EA
034180044JA	KEY 3/4X3/4X5-1/2 L	1.000 EA
421948044	LABEL, MYLAR	1.000 EA
PK5004A02	WOOD BASE 40X32 STACK 2X4 RUNNER	1.000 EA
032018005DL	1/2-13 X 5/8 SILICON BRONZE HHCS	1.000 EA

REL. S.O.	FRAME	HP	TYPE	PHASE/HERTZ	RPM	VOLTS
	404T	60	P	3/60	1185	460
AMPS	DUTY	AMB °C/ INSUL.	S.F.	NEMA DESIGN	CODE LETTER	ENCL.
70.4	CONT	40/F	1.15	B	G	PROT
E/S	ROTOR	TEST S.O.	TEST DATE	STATOR RES. @25 °C OHMS (BETWEEN LINES)		
595867	418142-71-DE	---	---	.115		

PERFORMANCE						
LOAD	HP	AMPERES	RPM	POWER FACTOR %	EFFICIENCY %	
NO LOAD	0	26.0	1200	4.46	0	
1/4	15.0	30.9	1197	49.7	91.6	
2/4	30.0	41.5	1193	71.7	94.4	
3/4	45.0	55.0	1190	80.7	94.8	
4/4	60.0	70.4	1186	84.4	94.6	
5/4	75.0	87.3	1182	85.6	94.0	

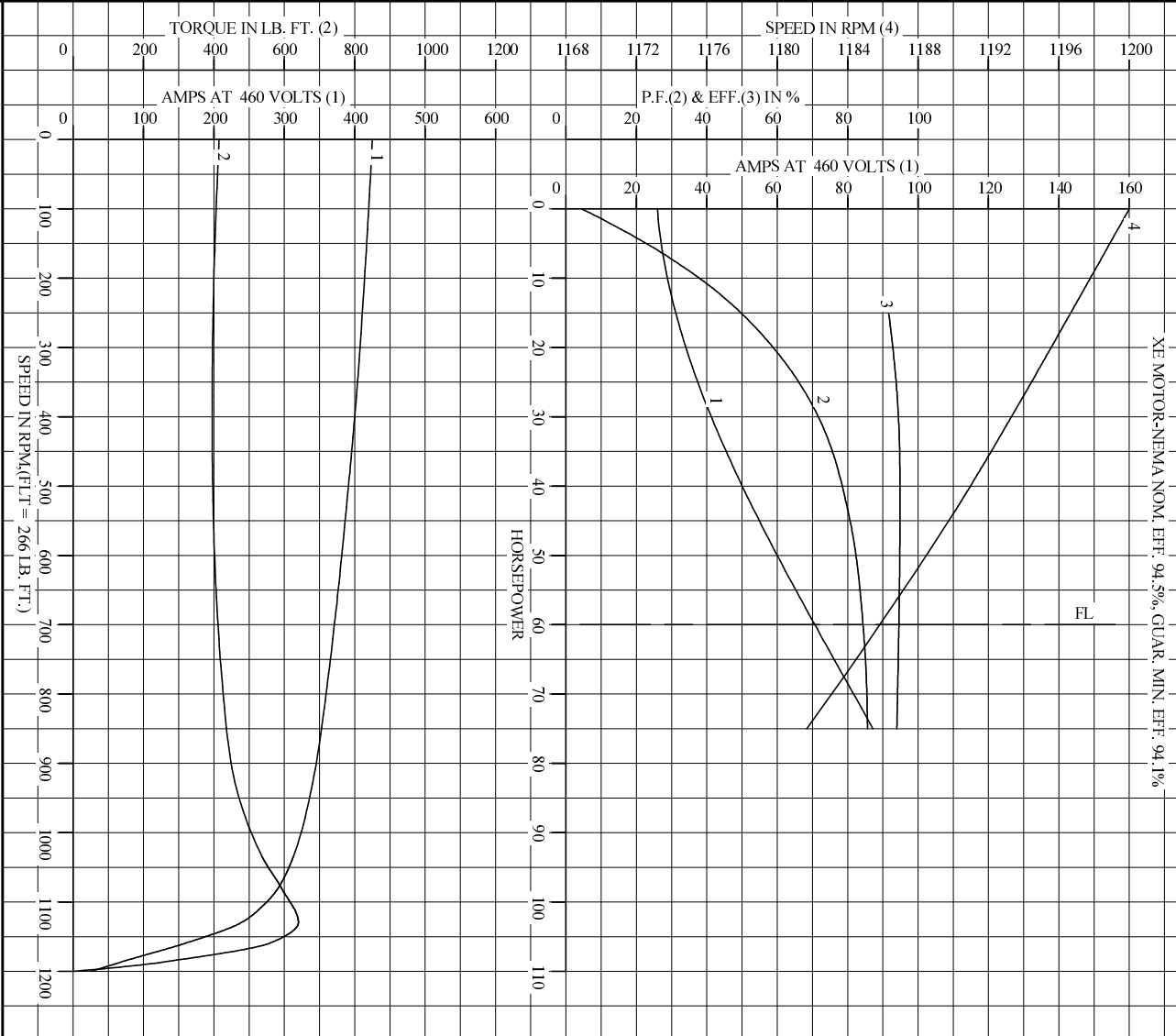
SPEED TORQUE						
	RPM	TORQUE % FULL LOAD	TORQUE LB.-FT.	AMPERES		
LOCKED ROTOR	0	156	415	425		
PULL UP	400	149	395	400		
BREAKDOWN	1130	241	640	239		
FULL LOAD	1186	100	266	70.4		

AMPERES SHOWN FOR 460. VOLT CONNECTION. IF OTHER VOLTAGE CONNECTIONS ARE AVAILABLE, THE AMPERES WILL VARY INVERSELY WITH THE RATED VOLTAGE

REMARKS: TYPICAL DATA  
 XE MOTOR-NEMA NOM. EFF. 94.5%, GUAR. MIN. EFF. 94.1%

<b>BALDOR</b>	DR. BY J.J. HARRISON	<b>A-C MOTOR</b>
	CK. BY W.I. SMITH	
	APP. BY W.I. SMITH	<b>PERFORMANCE DATA</b>
	DATE 07/21/09	ISSUE DATE 12/15/10

REL. S.O. \_\_\_\_\_ RPM 1185 S.F. 1.15 ROTOR 418142-71-DE  
 FRAME 404T VOLTS 460 NEMA DESIGN B TEST S.O. TYPICAL DATA  
 HP 60 AMPS 70.4 DUTY CONT G CODE LETTER  
 TYPE P ENCLOSURE PROT STATOR RES. @ 25 °C .115  
 PHASE/HERTZ 3/60 AMB °C/INSUL 40/F E/S 595867 OHMS (BETWEEN LINES)



AMPERES SHOWN FOR 460 VOLT CONNECTION, IF OTHER VOLTAGE CONNECTIONS ARE AVAILABLE, THE AMPERES WILL VARY INVERSELY WITH THE RATED VOLTAGE.

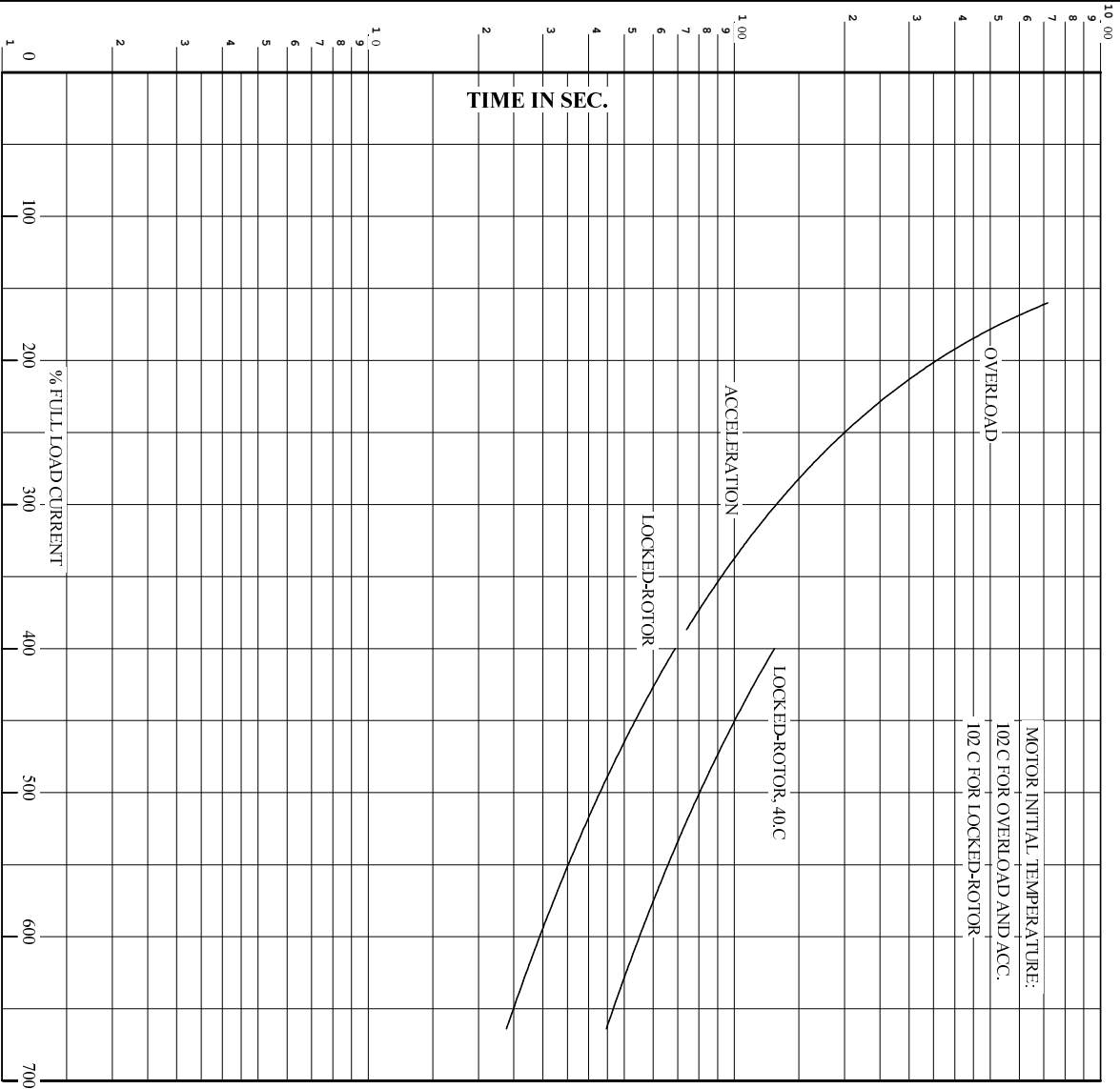


DR. BY J.HARRISON  
 CK. BY W.L.SMITH  
 App. BY W.L.SMITH  
 DATE 07/21/09

**A-C MOTOR**  
**PERFORMANCE** A40W/G047S-R001  
**CURVES** ISSUE DATE 12/15/10

Printed on 12/15/10 23:11 @ psecs-motoreng

RET. S.O. RPM 1185 S.F. 1.15 ROTOR 418142-71-DE  
 FRAME 404T VOLTS 460 NEMA DESIGN B TEST S.O. TYPICAL DATA  
 HP 60 AMPS 70.4 CODE LETTER G TEST DATE ---  
 TYPE P DUTY CONT ENCLOSURE PROT STATOR RES. @ 25 C. 115  
 PHASE/HERTZ 3/60 AMB C/INSUL 40/F E/S 595867 OHMS (BETWEEN LINES)



REMARKS: THERMAL LIMIT CURVE  
 XE MOTOR-NEMA NOM. EFF. 94.5% GUAR. MIN. EFF. 94.1%

AMPERES SHOWN FOR 400 VOLT CONNECTION, IF OTHER VOLTAGE CONNECTIONS ARE AVAILABLE, THE AMPERES WILL VARY INVERSELY WITH THE RATED VOLTAGE.



DR. BY J.HARRISON  
 CK. BY W.L.SMITH  
 App. BY W.L.SMITH  
 DATE 07/21/09

**A-C MOTOR**  
**PERFORMANCE** A40WG047S-R001  
**CURVES** ISSUE DATE 12/15/10



611750-001

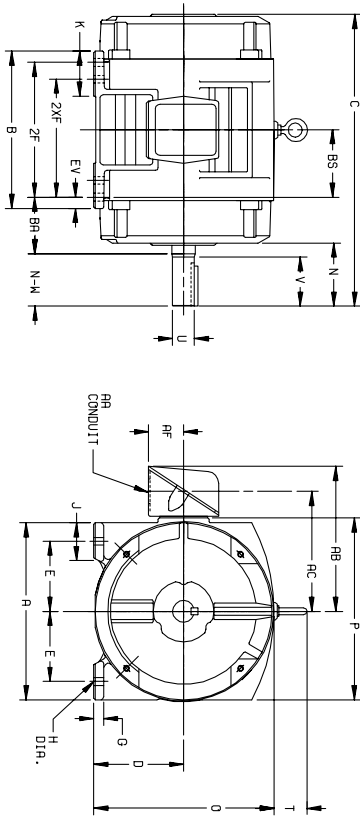
# DUTY MASTER ALTERNATING CURRENT MOTORS

SQUIRREL-CAGE INDUCTION

ENCLOSURE: PROTECTED  
MOUNTING: FOOT

FRAMES 250T THRU 440T

COOLING: SELF-VENTILATED



DIMENSIONS ARE IN INCHES

FRAME	A	D(2)	E	G	H	J	K	O	P	T	STEEL TERMINAL BOX						WEIGHT
SIZE	C	BS	B	ZF	N	ZXF	N	N-W(6)	U(3)	V	SO	LGTH.	LEB.	(5)			
254T-256T	12.50	6.25	5.00	.69	.56	2.25	3.50	12.81	12.69	2.44	1-1/4	10.19	8.19	2.50	4.25	.62	
284T-286T	14.00	7.00	5.50	.75	.56	2.75	3.75	14.12	14.31	2.44	1-1/2	12.19	9.44	3.19	4.75	1.00	
324T-326T	15.75	8.00	6.25	.88	.69	3.12	4.00	16.10	16.42	2.44	2	14.25	10.75	4.25	5.25	1.00	
364T-366T	17.00	9.00	7.00	.88	.69	3.00	3.62	18.30	19.56	2.94	3	18.06	14.00	5.38	5.88	1.00	
404T-406T	19.00	10.00	8.00	1.12	.81	3.25	4.75	20.56	21.81	2.94	3	19.06	15.00	4.38	6.62	1.12	
444T-446T	21.00	11.00	9.00	1.12	.81	3.25	5.25	22.91	23.62	3.25	3	22.62	17.38	5.50	7.50	1.25	

FRAME	SIZE	C	BS	B	ZF	N	ZXF	N	N-W(6)	U(3)	V	SO	LGTH.	LEB.	(5)
254T	22.44	5.00	11.25	---	8.25	4.25	4.00	1.625	3.75	.375	.275	2.75	2.75	2.75	2.75
284T	24.94	5.50	13.00	---	9.50	4.88	4.00	1.625	3.75	.375	.375	2.75	3.40	3.40	3.40
286T	23.56	5.50	13.00	---	9.50	3.50	3.25	1.625	3.00	.375	1.88	3.70	3.70	3.70	3.70
286T	23.56	5.50	13.00	---	9.50	4.88	4.62	1.875	4.38	.500	3.25	3.70	4.65	4.65	4.65
324T	27.56	6.00	14.00	---	10.50	5.50	3.25	2.125	5.00	.500	3.75	4.75	5.05	5.05	5.05
324T	26.06	6.00	14.00	---	10.50	4.00	3.75	1.875	3.50	.500	3.75	5.05	5.05	5.05	5.05
326T	27.56	6.00	14.00	---	12.00	5.50	3.25	2.125	5.00	.500	3.75	5.05	5.05	5.05	5.05
326T	26.06	6.00	14.00	---	12.00	4.00	3.75	1.875	3.50	.500	3.75	5.05	5.05	5.05	5.05
364T	28.70	6.12	14.25	---	11.25	6.12	3.88	2.375	5.62	.825	4.25	7.10	7.10	7.10	7.10
364T	27.56	6.12	14.25	---	11.25	5.88	2.375	5.62	5.62	.825	4.25	7.55	7.55	7.55	7.55
365T	29.70	6.12	14.25	---	12.25	6.12	3.88	2.375	7.00	.750	5.50	10.20	10.20	10.20	10.20
365T	27.56	6.12	14.25	---	12.25	5.88	2.375	5.62	6.25	.825	4.25	10.65	10.65	10.65	10.65
404T	34.00	6.88	16.00	---	12.25	7.62	4.25	2.125	7.00	.750	5.50	12.50	12.50	12.50	12.50
404T	34.00	6.88	16.00	---	12.25	6.62	4.25	2.125	7.00	.750	5.50	10.65	10.65	10.65	10.65
405T	34.00	6.88	16.00	---	13.75	7.62	4.25	2.125	7.00	.750	5.50	12.50	12.50	12.50	12.50
405T	31.00	6.88	16.00	---	13.75	6.62	4.25	2.125	7.00	.750	5.50	10.65	10.65	10.65	10.65
444T	39.56	8.25	19.00	---	14.50	8.94	4.75	3.375	8.25	.875	6.88	17.15	17.15	17.15	17.15
444T	35.81	8.25	19.00	---	14.50	8.19	4.75	3.375	8.25	.875	6.88	17.50	17.50	17.50	17.50
445T	39.56	8.25	19.00	---	16.50	8.94	4.75	3.375	8.25	.875	6.88	17.50	17.50	17.50	17.50
445T	35.81	8.25	19.00	---	16.50	8.19	4.75	3.375	8.25	.875	6.88	17.50	17.50	17.50	17.50
445T	35.81	8.25	19.00	---	16.50	5.19	4.75	2.375	4.50	.625	5.00	5.00	5.00	5.00	5.00

- (1) SPECIAL DIMENSIONS APPLYING TO THIS ORDER ON THIS LINE.
  - (2) "D" VARIES [ 290T - 320T +.00, -.03.
  - (3) "U" VARIES +.000, -.001
  - (4) ALL FRAMES HAVE EIGHT MOUNTING HOLES FOR DUAL MOUNTING.
  - (5) MOTOR WEIGHTS MAY VARY BY 15% DEPENDING UPON RATING.
- CONDUIT BOX LOCATED ON OPPOSITE SIDE WHEN F-2-W-1, W-4-W-5-W-7, OR C-1 MOUNTING IS SPECIFIED.

IF MOUNTING CLEARANCE DETAILS ARE REQUIRED, CONSULT FACTORY.

MAXIMUM PERMISSIBLE SHAFT RUNOUT WHEN MEASURED AT END OF STD. SHAFT EXTENSION IS .002 T.I.R. UP TO AND INCLUDING 1.625 DIA. AND .005 T.I.R. ABOVE 1.625 TO 5 INCH DIA.

FRAMES "N"-W VARIES +.00, -.25  
 ORDER \_\_\_\_\_ ITEM \_\_\_\_\_ HP \_\_\_\_\_ CERTIFIED FOR \_\_\_\_\_ RPM \_\_\_\_\_ PH \_\_\_\_\_ HZ \_\_\_\_\_ VOLTS \_\_\_\_\_  
 SALES ORDER \_\_\_\_\_ APPROVED BY \_\_\_\_\_ DATE \_\_\_\_\_

100-057119

CUSTOMER IS RESPONSIBLE FOR DETERMINING THAT BALDOR'S PRODUCT WILL PERFORM SUITABLY IN THE INTENDED APPLICATION.

REV. DESC: ASSIGNED TO BUSLOAD	VERSION: 01	TDR: 000000489455
REV. LTR: A	REVISED: 15:03:33 02/02/2009	BY: RAG2JR
FILE: \RAG\00008\297		
MTL: -		

**Baldor • Dodge • Reliance**

DIM SHT PROT SV FT 250-440T

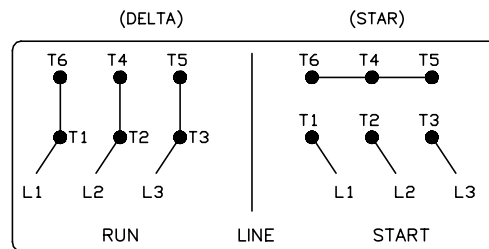
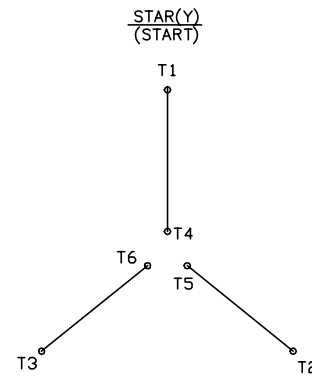
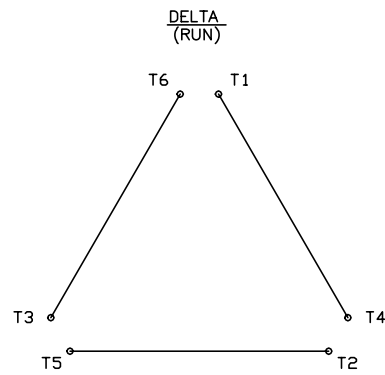
SH 1 of 1

416820-008

# A-C MOTOR CONNECTION DIAGRAM

STANDARD 6 LEAD

Y START - DELTA RUN



< N. P. 1767-DC >

416820-008

REV. DESC: ADDED T4 TO Y CONNECT DIAGRAM		
REV. LTR: D	VERSION: 04	TDR: 000000847713
FILE: \RAG\00001\808	REVISED: 10: 41: 26 04/08/2014	BY: RAGJSS1
MTL: -	⊙ □	



CONNECT DIAGRAM STD 6 LEAD Y START DELTA RUN

SH 1 of 1

Marketing maintained PDF of MN408:

<http://www.baldor.com/support/Literature/Load.ashx/MN408?ManNumber=MN408>

Marketing maintained PDF of MN416:

<http://www.baldor.com/support/Literature/Load.ashx/MN416?ManNumber=MN416>