

BALDOR® • ***RELIANCE***

Product Information Packet

EM4110T-12

40HP,1770RPM,3PH,60HZ,324T,1260M,TEFC,F1

Part Detail							
Revision:	H	Status:	PRD/A	Change #:		Proprietary:	No
Type:	AC	Prod. Type:	1260M	Elec. Spec:	12WGY339	CD Diagram:	CD0104
Enclosure:	TEFC	Mfg Plant:		Mech. Spec:	12C51	Layout:	12LYC051
Frame:	324T	Mounting:	F1	Poles:	04	Created Date:	08-03-2010
Base:	RG	Rotation:	R	Insulation:	F	Eff. Date:	01-04-2017
Leads:	12#8					Replaced By:	
Literature:		Elec. Diagram:					

Nameplate NP3443L										
CAT.NO.	EM4110T-12			P/N				ENCLOSURE	TEFC	
SPEC.	12C051Y339G1		CC	010A	FRAME	324T		S/N		
HP	40			CLASS	F	HZ	60			
RPM	1770			PH	3	DES	A			
VOLT	230/460			KVA-CODE	H		ODE BRG	6311	DE BRG	6312
AMP	96/48			USABLE AT 208V						
RATING	40C AMB-CONT			NEMA-NOM-EFF			94.1	GREASE POLYREX EM		
PF	83	SER.F.	1.15	VPWM INVERTER READY						
HTR-VOLTS			HTR-AMPS			MAX. SPACE HEATER TEMP.				

Parts List		
Part Number	Description	Quantity
SA200837	SA 12C051Y339G1	1.000 EA
RA188148	RA 12C051Y339G1	1.000 EA
09FN3001B03SP	EXTERNAL FAN, PLASTIC	1.000 EA
S/P107-000-004	SUPER-E(284 FR. & UP)-CL PLANT,POLYREX E	1.000 EA
10CB3001	CONDUIT BOX CAST W/2.500 LEAD HOLE	1.000 EA
12GS1000SP	GASKET	1.000 EA
10XN3118K12	5/16-18 X .75 GRADE 5, ZINC PLATED	4.000 EA
HW1001A31	LOCKWASHER 5/16, ZINC PLT.591 OD, .319 I	4.000 EA
WD1000B16	T&B CX70TN TERMINAL	1.000 EA
51XF2520A08	SCREW, HEX SER SLT HD, ZN 1/4-20 X .50 L	1.000 EA
HA3400A13	STUD, 1/2-13 X 7" WELKER	4.000 EA
HW1001A50	LOCKWASHER 1/2, ZINC PLT.,.879 OD, .509 I	4.000 EA
HW5100A13	W4627-047 WVY WSHER	1.000 EA
10XN3118K36	5/16-18 X 2.25" HEX HD, GRADE 5	2.000 EA
HW1001A31	LOCKWASHER 5/16, ZINC PLT.591 OD, .319 I	2.000 EA
12EP1106A01	PU ENDPLATE, MACH 324-6T	1.000 EA
HW4600B41	V-RING SLINGER 2.125 X 2.880 X 0.280	1.000 EA
10XN5013K28	1/2-13 X 1.75 HEX HEAD MACH SCREW,GRAD	4.000 EA
HW1001A50	LOCKWASHER 1/2, ZINC PLT.,.879 OD, .509 I	4.000 EA
10XN3118K40	5/16-18 X 2.50" HEX HD, GRADE 5	4.000 EA
HW1001A31	LOCKWASHER 5/16, ZINC PLT.591 OD, .319 I	4.000 EA
12FH1002SP	FAN COVER, CAST QF,WAUPACA QUALITY	1.000 EA
HW1001A50	LOCKWASHER 1/2, ZINC PLT.,.879 OD, .509 I	4.000 EA
XY5013A12	NUT,1/2-13,HEX,STEEL,ZINCPLATED	4.000 EA

Parts List (continued)		
Part Number	Description	Quantity
10CB3500SP	CONDUIT BOX LID, CAST	1.000 EA
10GS1000SP	GASKET, CONDUIT BOX LID	1.000 EA
51XW2520A12	.25-20 X .75, TAPTITE II, HEX WSHR SLTD	4.000 EA
HW2501H33	KEY, 1/2 SQ X 3.875	1.000 EA
LB1115N	LABEL,LIFTING DEVICE (ON ROLLS)	1.000 EA
MN416A01	TAG-INSTAL-MAINT no wire (1000/bx) 11/14	1.000 EA
12EP1107A05	FR ENDPLATE, MACH 324-6T	1.000 EA
HW4500A21	1618BALEMITE FITTING 825 UNIVERSAL	1.000 EA
HA4017A01	1/8 X 4 GREASE EXT (F/S)	1.000 EA
HW4500A17	317400 ALEMITE GREASE RELIEF	1.000 EA
HA4054	SHORT T-DRAIN FITTING, .125" N.P.T.	1.000 EA
HA4051A00	PLASTIC CAP FOR GREASE FITTING	1.000 EA
MJ1000A02	GREASE, POLYREX EM EXXON (USe 4824-15A)	0.200 LB
HW4500A03	GREASE FITTING, .125 NPT 1610(ALEMITE) 8	1.000 EA
HW4500A17	317400 ALEMITE GREASE RELIEF	1.000 EA
HA4054	SHORT T-DRAIN FITTING, .125" N.P.T.	1.000 EA
HA4051A00	PLASTIC CAP FOR GREASE FITTING	1.000 EA
HW2500A25	WOODRUFF KEY USA #1008 #BLOW CARBON STEE	1.000 EA
51XB1214A20	12-14X1.25 HXWSSLD SERTYB	1.000 EA
MG1000Y03	MUNSELL 2.53Y 6.70/ 4.60, GLOSS 20,	0.080 GA
85XU0407S04	4X1/4 U DRIVE PIN STAINLESS	4.000 EA
LB1119N	WARNING LABEL	1.000 EA
LC0104A01	CONNECTION DIAGRAM	1.000 EA
NP3443L	SS SUPER-E UL CSA-EEV PREM CC	1.000 EA

12PA1000	PACKAGING GROUP PRINT PK1024A06	1.000 EA
----------	---------------------------------	----------

AC Induction Motor Performance Data

Record # 32033 - Typical performance - not guaranteed values

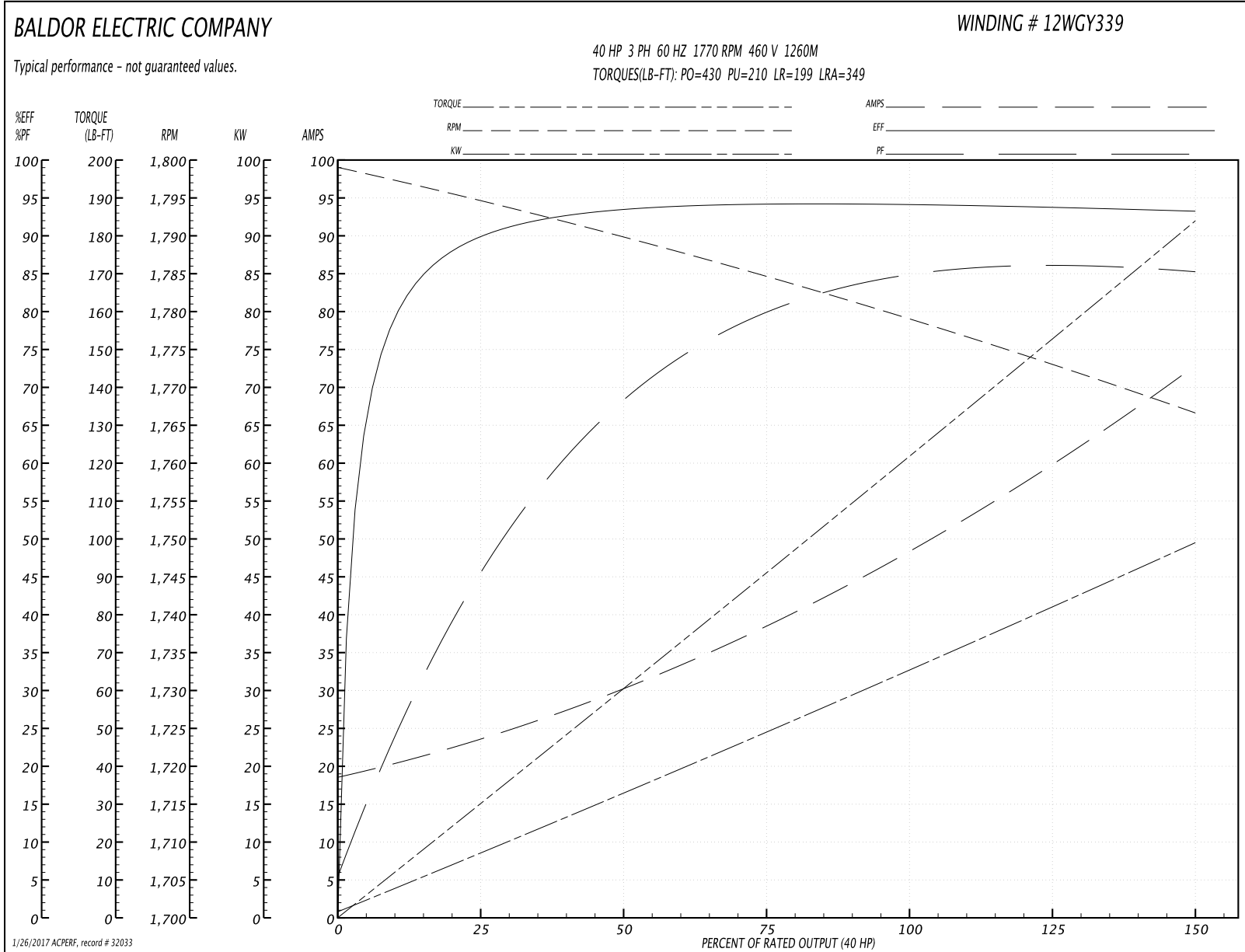
Winding: 12WGY339-R001	Type: 1260M	Enclosure: TEFC
-------------------------------	--------------------	------------------------

Nameplate Data				460 V, 60 Hz: High Voltage Connection	
Rated Output (HP)	40			Full Load Torque	118 LB-FT
Volts	208-230/460			Start Configuration	direct on line
Full Load Amps	102-96/48			Breakdown Torque	430 LB-FT
R.P.M.	1770			Pull-up Torque	210 LB-FT
Hz	60	Phase	3	Locked-rotor Torque	199 LB-FT
NEMA Design Code	A	KVA Code	H	Starting Current	349 A
Service Factor (S.F.)	1.15			No-load Current	19.3 A
NEMA Nom. Eff.	94.1	Power Factor	83	Line-line Res. @ 25°C	0.13252 Ω
Rating - Duty	40C AMB-CONT			Temp. Rise @ Rated Load	51°C
S.F. Amps				Temp. Rise @ S.F. Load	61°C
				Locked-rotor Power Factor	27
				Rotor inertia	7.99 LB-FT ²

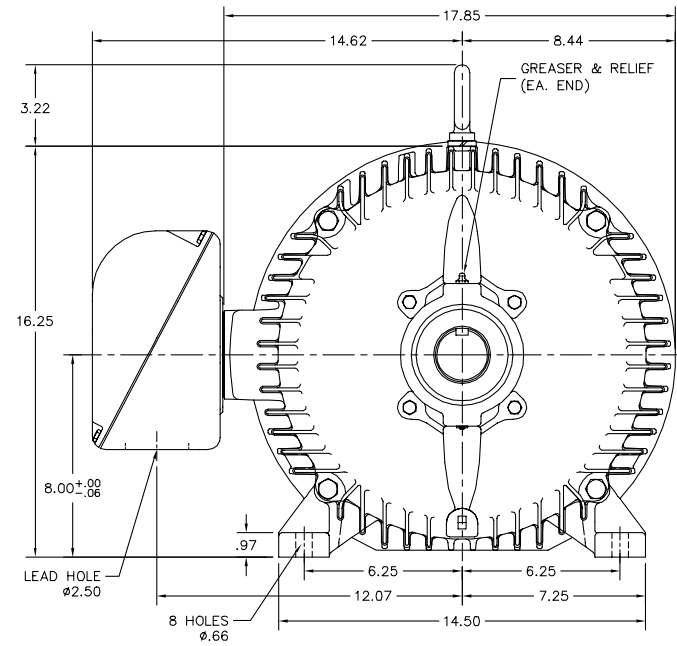
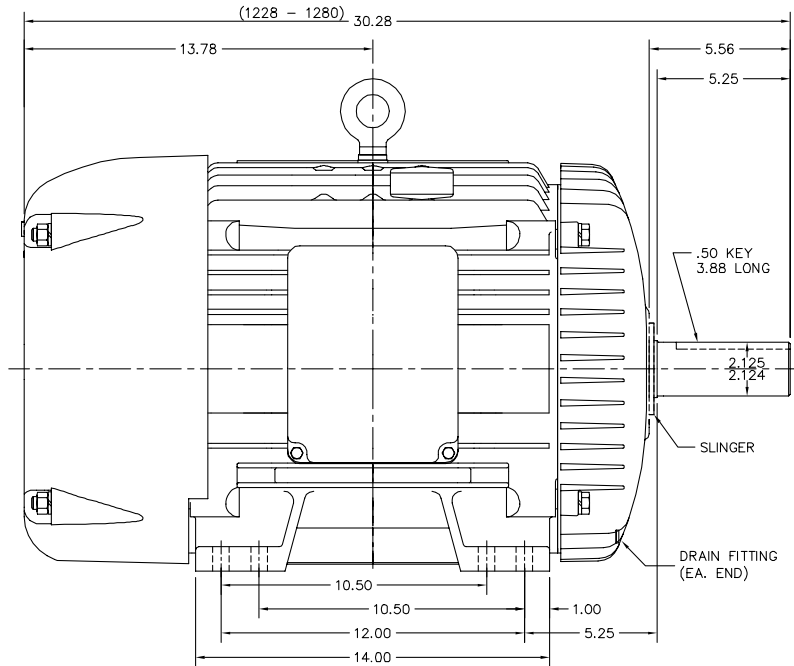
Load Characteristics 460 V, 60 Hz, 40 HP

% of Rated Load	25	50	75	100	125	150	S.F.
Power Factor	46	69	79	83	86	86	85
Efficiency	90.1	93.7	94.5	94.5	94.2	93.5	94.3
Speed	1795.1	1790.2	1784.9	1779.7	1774.3	1766.5	1776
Line amperes	22.5	29.1	37.7	47.9	58.1	72.5	54

Performance Graph at 460V, 60Hz, 40.0HP Typical performance - Not guaranteed values



12LYC051



12LYC051

CUSTOMER IS RESPONSIBLE FOR DETERMINING THAT BALDOR'S PRODUCT WILL PERFORM SUITABLY IN THE INTENDED APPLICATION.

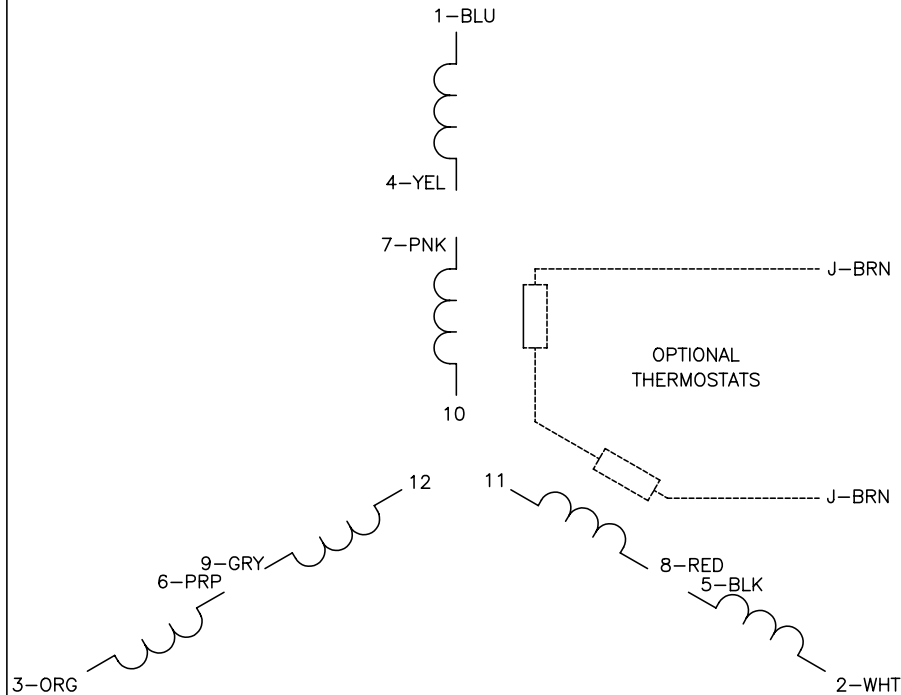
REV. DESC: ADDED FOOT THICKNESS DIM.		
REV. LTR: Y	VERSION: 08	TDR: 000000957396
FILE: \AAA\00001\609	REVISED: 11:12:13 12/17/2015	BY: ENNINDO
MTL: -		

BALDOR

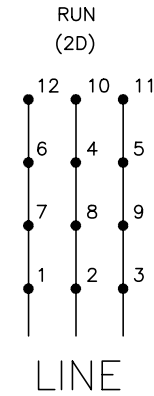
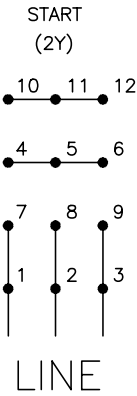
HORZ TEFC 324-6T

SH 1 of 1

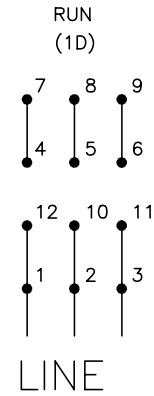
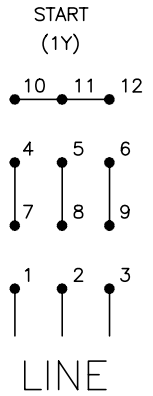
CD0104



LOW VOLTAGE



HIGH VOLTAGE



NOTES:

1. INTERCHANGE ANY TWO LINE LEADS TO REVERSE ROTATION.
2. OPTIONAL THERMOSTATS ARE PROVIDED WHEN SPECIFIED.
3. ACTUAL NUMBER OF INTERNAL PARALLEL CIRCUITS MAY BE A MULTIPLE OF THOSE SHOWN ABOVE.
4. LEAD COLORS ARE OPTIONAL. LEADS MUST ALWAYS BE NUMBERED AS SHOWN.

REV. DESC: REVISE TO SHOW OPTIONAL COLORS			
REV. LTR: C	BY: JLP	REVISED: 01/19/99 4:24	TDR: 0171435
CD0104		FILE: AAA00008377	MDL: -
		MTL: -	

BALDOR ELECTRIC Co.

3PH, DV, 12 LEADS, Y START/D RUN

CD0104