

BALDOR® • RELIANCE

Product Information Packet

EM4114T-G

50HP,3540RPM,3PH,60HZ,326TS,1252M,TEFC,F

| Part Detail | | | | | | | |
|-------------|-------|----------------|-------|-------------|----------|---------------|------------|
| Revision: | M | Status: | PRD/A | Change #: | | Proprietary: | No |
| Type: | AC | Prod. Type: | 1252M | Elec. Spec: | 12WGY291 | CD Diagram: | CD0180 |
| Enclosure: | TEFC | Mfg Plant: | | Mech. Spec: | 12H135 | Layout: | 12LYH135 |
| Frame: | 326TS | Mounting: | F1 | Poles: | 02 | Created Date: | 12-08-2011 |
| Base: | RG | Rotation: | R | Insulation: | H | Eff. Date: | 01-04-2017 |
| Leads: | 9#8 | | | | | Replaced By: | |
| Literature: | | Elec. Diagram: | | | | | |

| Nameplate NP2138L | | | | | | | | | | | | |
|-------------------|--------------|----|----------|----------------|------------|-------------------------|-------|-----------|------|--|--------|------|
| CAT.NO. | EM4114T-G | | | P/N | | | | ENCLOSURE | TEFC | | | |
| SPEC. | 12H135Y291G1 | | CC | 010A | | FRAME | 326TS | | S/N | | | |
| HP | 50 | | | CLASS | H | | HZ | 60 | | | | |
| RPM | 3540 | | | PH | 3 | | DES | A | | | | |
| VOLT | 230/460 | | | | KVA-CODE | H | | ODE BRG | 6311 | | DE BRG | 6312 |
| AMP | 112/56 | | | USABLE AT 208V | 122 | | | | | | | |
| RATING | 40C AMB-CONT | | | GREASE | POLYREX EM | | | | | | | |
| NEMA-NOM-EFF | 93 | PF | 90 | | SER.F. | 1.15 | | | | | | |
| HTR-VOLTS | | | HTR-AMPS | | | MAX. SPACE HEATER TEMP. | | | | | | |

| Parts List | | |
|----------------|---|----------|
| Part Number | Description | Quantity |
| SA235608 | SA 12H135Y291G1 | 1.000 EA |
| RA222568 | RA 12H135Y291G1 | 1.000 EA |
| 37FN3002C04 | EXFN, PLASTIC, 6.00 OD, 2.000 ID | 1.000 EA |
| S/P107-000-004 | SUPER-E(284 FR. & UP)-CL PLANT,POLYREX E | 1.000 EA |
| 10CB3001 | CONDUIT BOX CAST W/2.500 LEAD HOLE | 1.000 EA |
| 12GS1000SP | GASKET | 1.000 EA |
| 10XN3118K12 | 5/16-18 X .75 GRADE 5, ZINC PLATED | 4.000 EA |
| HW1001A31 | LOCKWASHER 5/16, ZINC PLT.591 OD, .319 I | 4.000 EA |
| WD1000B16 | T&B CX70TN TERMINAL | 1.000 EA |
| 51XF2520A08 | SCREW, HEX SER SLT HD, ZN 1/4-20 X .50 L | 1.000 EA |
| 12EP1107A05 | FR ENDPLATE, MACH 324-6T | 1.000 EA |
| HA3400A13 | STUD, 1/2-13 X 7" WELKER | 4.000 EA |
| HA4017A01 | 1/8 X 4 GREASE EXT (F/S) | 1.000 EA |
| HW1001A50 | LOCKWASHER 1/2, ZINC PLT.,.879 OD, .509 I | 4.000 EA |
| HW5100A13 | W4627-047 WVY WSHER | 1.000 EA |
| 10XN3118K36 | 5/16-18 X 2.25" HEX HD, GRADE 5 | 2.000 EA |
| HW1001A31 | LOCKWASHER 5/16, ZINC PLT.591 OD, .319 I | 2.000 EA |
| 12EP1106A01 | PU ENDPLATE, MACH 324-6T | 1.000 EA |
| 10XN5013K28 | 1/2-13 X 1.75 HEX HEAD MACH SCREW,GRAD | 4.000 EA |
| HW1001A50 | LOCKWASHER 1/2, ZINC PLT.,.879 OD, .509 I | 4.000 EA |
| HW4600B41 | V-RING SLINGER 2.125 X 2.880 X 0.280 | 1.000 EA |
| 10XN3118K40 | 5/16-18 X 2.50" HEX HD, GRADE 5 | 4.000 EA |
| HW1001A31 | LOCKWASHER 5/16, ZINC PLT.591 OD, .319 I | 4.000 EA |
| 12FH1002SP | FAN COVER, CAST QF,WAUPACA QUALITY | 1.000 EA |

| Parts List (continued) | | |
|-------------------------------|---|-----------------|
| Part Number | Description | Quantity |
| XY5013A12 | NUT,1/2-13,HEX,STEEL,ZINCPLATED | 4.000 EA |
| HW1001A50 | LOCKWASHER 1/2, ZINC PLT.,.879 OD, .509 I | 4.000 EA |
| 10CB3500SP | CONDUIT BOX LID, CAST | 1.000 EA |
| 10GS1000SP | GASKET, CONDUIT BOX LID | 1.000 EA |
| 51XW2520A12 | .25-20 X .75, TAPTITE II, HEX WSHR SLTD | 4.000 EA |
| HW2501H18 | KEY, 1/2 SQ X 2.000 | 1.000 EA |
| LB1115N | LABEL,LIFTING DEVICE (ON ROLLS) | 1.000 EA |
| MN416A01 | TAG-INSTAL-MAINT no wire (1000/bx) 11/14 | 1.000 EA |
| HW4500A21 | 1618BALEMITE FITTING 825 UNIVERSAL | 1.000 EA |
| HW4500A17 | 317400 ALEMITE GREASE RELIEF | 1.000 EA |
| HA4054 | SHORT T-DRAIN FITTING, .125" N.P.T. | 1.000 EA |
| HA4051A00 | PLASTIC CAP FOR GREASE FITTING | 1.000 EA |
| MJ1000A02 | GREASE, POLYREX EM EXXON (USe 4824-15A) | 0.200 LB |
| HW4500A03 | GREASE FITTING, .125 NPT 1610(ALEMITE) 8 | 1.000 EA |
| HW4500A17 | 317400 ALEMITE GREASE RELIEF | 1.000 EA |
| HA4054 | SHORT T-DRAIN FITTING, .125" N.P.T. | 1.000 EA |
| HA4051A00 | PLASTIC CAP FOR GREASE FITTING | 1.000 EA |
| HW2500A25 | WOODRUFF KEY USA #1008 #BLOW CARBON STEE | 1.000 EA |
| 51XB1214A20 | 12-14X1.25 HXWSSLD SERTYB | 1.000 EA |
| MG1000Y03 | MUNSELL 2.53Y 6.70/ 4.60, GLOSS 20, | 0.080 GA |
| 85XU0407S04 | 4X1/4 U DRIVE PIN STAINLESS | 4.000 EA |
| LB1119N | WARNING LABEL | 1.000 EA |
| LC0181 | CONNECTION LABEL | 1.000 EA |
| NP2138L | ALUM SUPER-E UL CSA-EEV PREM CC (300 | 1.000 EA |

| | | |
|----------|---------------------------------|----------|
| 12PA1000 | PACKAGING GROUP PRINT PK1024A06 | 1.000 EA |
|----------|---------------------------------|----------|

AC Induction Motor Performance Data

Record # 53036 - Typical performance - not guaranteed values

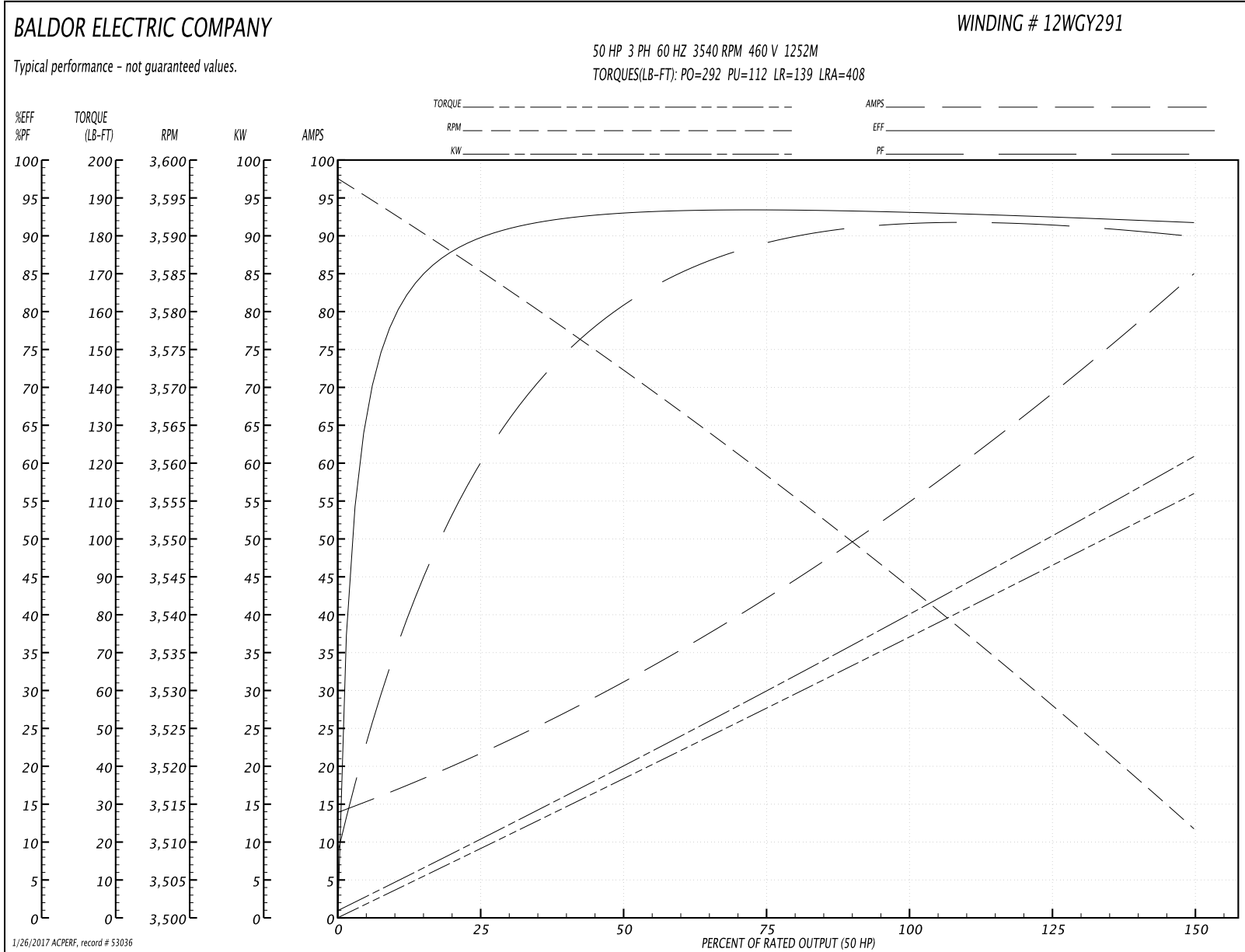
| | | |
|-------------------------------|--------------------|------------------------|
| Winding: 12WGY291-R035 | Type: 1252M | Enclosure: TEFC |
|-------------------------------|--------------------|------------------------|

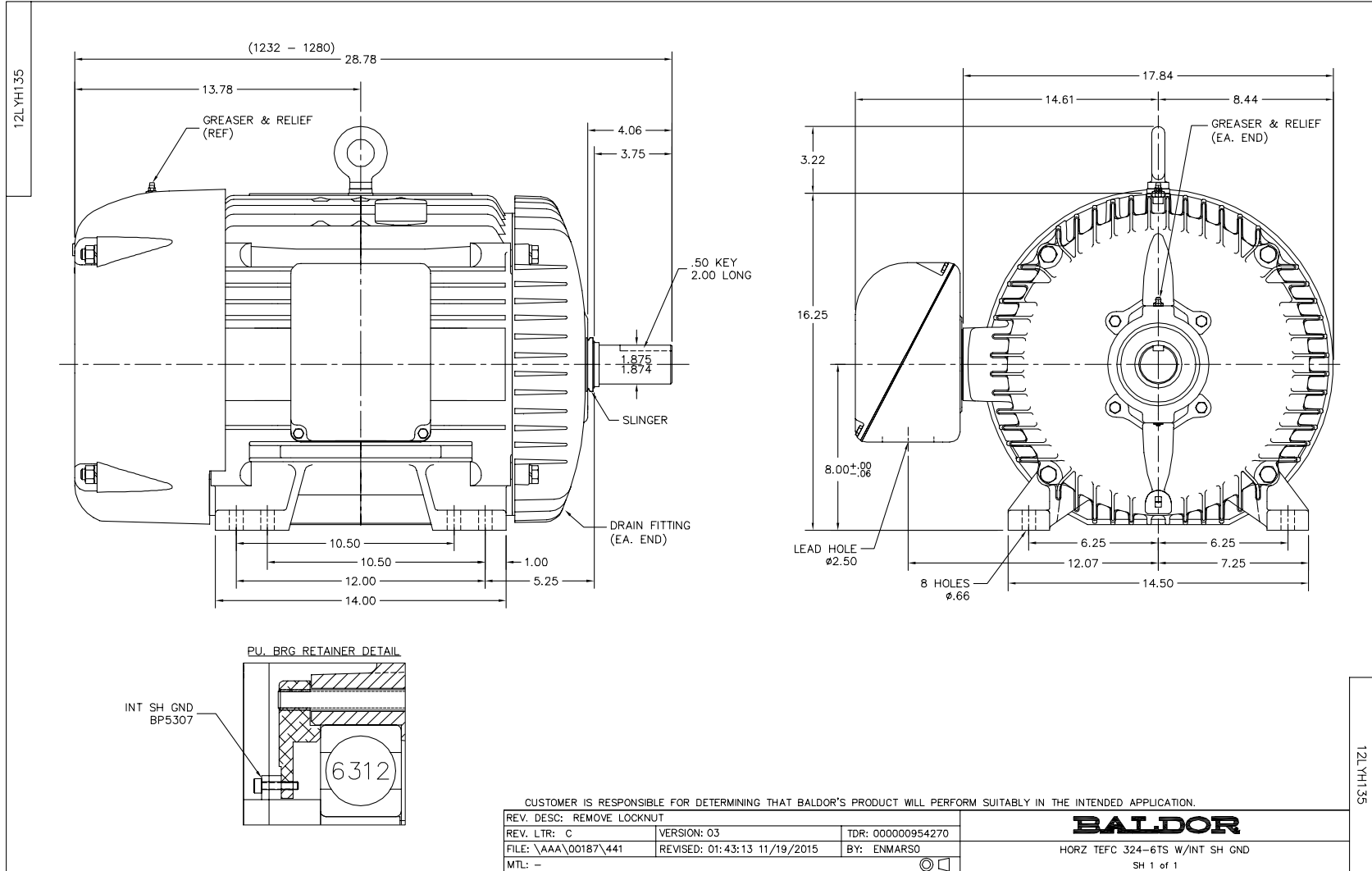
| Nameplate Data | | | | 460 V, 60 Hz: High Voltage Connection | |
|-----------------------|--------------|--------------|----|--|-------------------------|
| Rated Output (HP) | 50 | | | Full Load Torque | 74.4 LB-FT |
| Volts | 230/460 | | | Start Configuration | direct on line |
| Full Load Amps | 112/56 | | | Breakdown Torque | 292 LB-FT |
| R.P.M. | 3540 | | | Pull-up Torque | 112 LB-FT |
| Hz | 60 | Phase | 3 | Locked-rotor Torque | 139 LB-FT |
| NEMA Design Code | A | KVA Code | H | Starting Current | 408 A |
| Service Factor (S.F.) | 1.15 | | | No-load Current | 14.9 A |
| NEMA Nom. Eff. | 93 | Power Factor | 90 | Line-line Res. @ 25°C | 0.11257 Ω |
| Rating - Duty | 40C AMB-CONT | | | Temp. Rise @ Rated Load | 77°C |
| S.F. Amps | | | | Temp. Rise @ S.F. Load | 95°C |
| | | | | Locked-rotor Power Factor | 21 |
| | | | | Rotor inertia | 4.07 LB-FT ² |

Load Characteristics 460 V, 60 Hz, 50 HP

| % of Rated Load | 25 | 50 | 75 | 100 | 125 | 150 | S.F. |
|-----------------|--------|--------|--------|--------|--------|--------|------|
| Power Factor | 66 | 82 | 88 | 90 | 91 | 90 | 91 |
| Efficiency | 91.1 | 93.8 | 94.2 | 93.9 | 93.2 | 92.3 | 93.5 |
| Speed | 3584.1 | 3571.8 | 3558.2 | 3544.1 | 3528.2 | 3511.2 | 3535 |
| Line amperes | 20.4 | 30.8 | 42.9 | 55.8 | 69.5 | 84.6 | 64 |

Performance Graph at 460V, 60Hz, 50.0HP Typical performance - Not guaranteed values

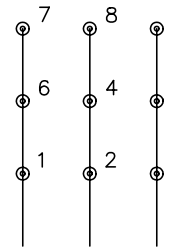




CD0180

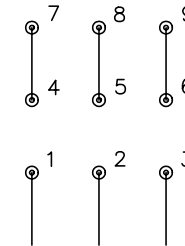


LOW VOLTAGE
(2D)



LINE

HIGH VOLTAGE
(1D)



LINE

NOTES:

1. INTERCHANGE ANY TWO LINE LEADS TO REVERSE ROTATION.
2. OPTIONAL THERMOSTATS ARE PROVIDED WHEN SPECIFIED.
3. ACTUAL NUMBER OF INTERNAL PARALLEL CIRCUITS MAY BE A MULTIPLE OF THOSE SHOWN ABOVE.
4. LEAD COLORS ARE OPTIONAL. LEADS MUST ALWAYS BE NUMBERED AS SHOWN.

| | | | |
|---|---------|------------------------|--------------|
| REV. DESC: REVISE TO SHOW OPTIONAL COLORS | | | |
| REV. LTR: C | BY: JLP | REVISED: 01/21/99 2:28 | TDR: 0171435 |
| 0810D0 | | FILE: AAA00005148 | MDL: - |
| | | MTL: - | |

BALDOR ELECTRIC Co.

3PH, DV, 9 LEADS, DELTA CONNECTION

CD0180