

# **BALDOR**® • *RELIANCE*

## **Product Information Packet**

# **EM7032T**

**1HP,1155RPM,3PH,60HZ,145T,3526M,XPFC,F1**

Part Detail							
Revision:	R	Status:	PRD/A	Change #:		Proprietary:	No
Type:	AC	Prod. Type:	3526M	Elec. Spec:	35WGM497	CD Diagram:	CD0005
Enclosure:	XPFC	Mfg Plant:		Mech. Spec:	35E362	Layout:	35LYE362
Frame:	145T	Mounting:	F1	Poles:	06	Created Date:	07-29-2010
Base:	RG	Rotation:	R	Insulation:	B	Eff. Date:	12-07-2016
Leads:	9#18					Replaced By:	
Literature:		Elec. Diagram:					

Nameplate NP1426XPSLEV	
NO.	[ ] CC 010A
SER.	[ ]
SPEC.	35E362M497G1
CAT.NO.	EM7032T
HP	1//.75 T. CODE T3C
VOLTS	230/460//190/380
AMPS	3.6/1.8//3.4/1.7
RPM	1155//960
HZ	60//50 PH 3 CL B
SER.F.	1.00 DES B CODE K
RATING	40C AMB-CONT
FRAME	145T NEMA-NOM-EFF 82.5
USABLE AT 208V	3.6 PF 64
BLANK	[ ]

Parts List		
Part Number	Description	Quantity
SA200530	SA 35E362M497G1	1.000 EA
RA187842	RA 35E362M497G1	1.000 EA
35FN3002A05	EXFN, PLASTIC, 6.376 OD, .638 ID	1.000 EA
35CB3001A02G	EXPL PROOF CONDUIT BOX,3/4"PIPE TAP LEAD	1.000 EA
11XW1032G06	10-32 X .38, TAPTITE II, HEX WSHR SLTD U	1.000 EA
HW3001B01	BRASS CUP WASHER, FOR #8 SCREW	1.000 EA
35EP3700A01SP	FR ENDPLATE, XPFC	1.000 EA
HW5100A03SP	WAVY WASHER (W1543-017)	1.000 EA
35EP3701A01	PU ENDPLATE, XPFC - 205 BRG	1.000 EA
XY3118A12	5/16-18 HEX NUT DIRECTIONAL SERRATION	4.000 EA
51XB1214A16	12-14X1.00 HXWSSLD SERTYB	1.000 EA
35FH4005A01SP	IEC FH NO GREASER W/PRIMED	1.000 EA
51XW1032A06	10-32 X .38, TAPTITE II, HEX WSHR SLTD S	3.000 EA
35CB3500A01G	CONDUIT BOX LID, MACH W/FLUIDIZED GRAY	1.000 EA
51XN2520A16	SCREW, HEX WS SLT, ZN, 1/4-20 X 1.00	4.000 EA
HW2501D13	KEY, 3/16 SQ X 1.375	1.000 EA
HA7000A01	KEY RETAINER 7/8" DIA SHAFT	1.000 EA
85XU0407S04	4X1/4 U DRIVE PIN STAINLESS	6.000 EA
NP0018F	ALUM UL XP CONDUIT BOX NAMEPLATE	1.000 EA
MJ1000A02	GREASE, POLYREX EM EXXON (USe 4824-15A)	0.050 LB
MG1025G29	WILKOFASST, 789.229, DARK CHARCOAL GRAY	0.017 GA
HA3104A08	THRUBOLT-5/16-18X9.375 X X	4.000 EA
LB1119N	WARNING LABEL	1.000 EA
LC0145B01	CONNECTION LABEL	1.000 EA

<b>Parts List (continued)</b>		
<b>Part Number</b>	<b>Description</b>	<b>Quantity</b>
NP1426XPSLEV	SS XP UL CSA-EEV CC CL-I GP-D	1.000 EA
36PA1000	PKG GRP, PRINT PK1016A06	1.000 EA
MN416A01	TAG-INSTAL-MAINT no wire (1000/bx) 11/14	1.000 EA

**AC Induction Motor Performance Data**

Record # 35597 - Typical performance - not guaranteed values

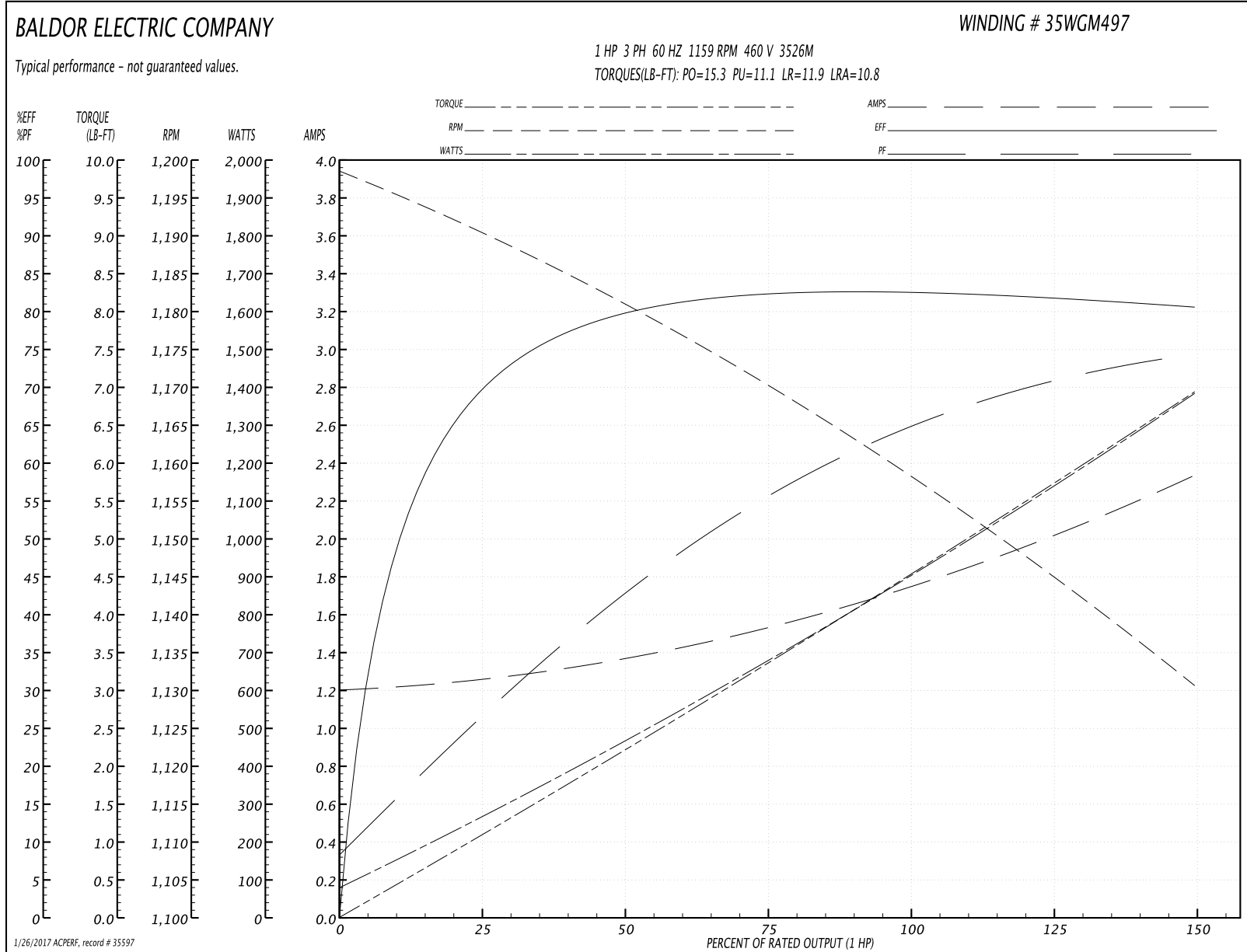
<b>Winding:</b> 35WGM497-R007	<b>Type:</b> 3526M	<b>Enclosure:</b> XPFC
-------------------------------	--------------------	------------------------

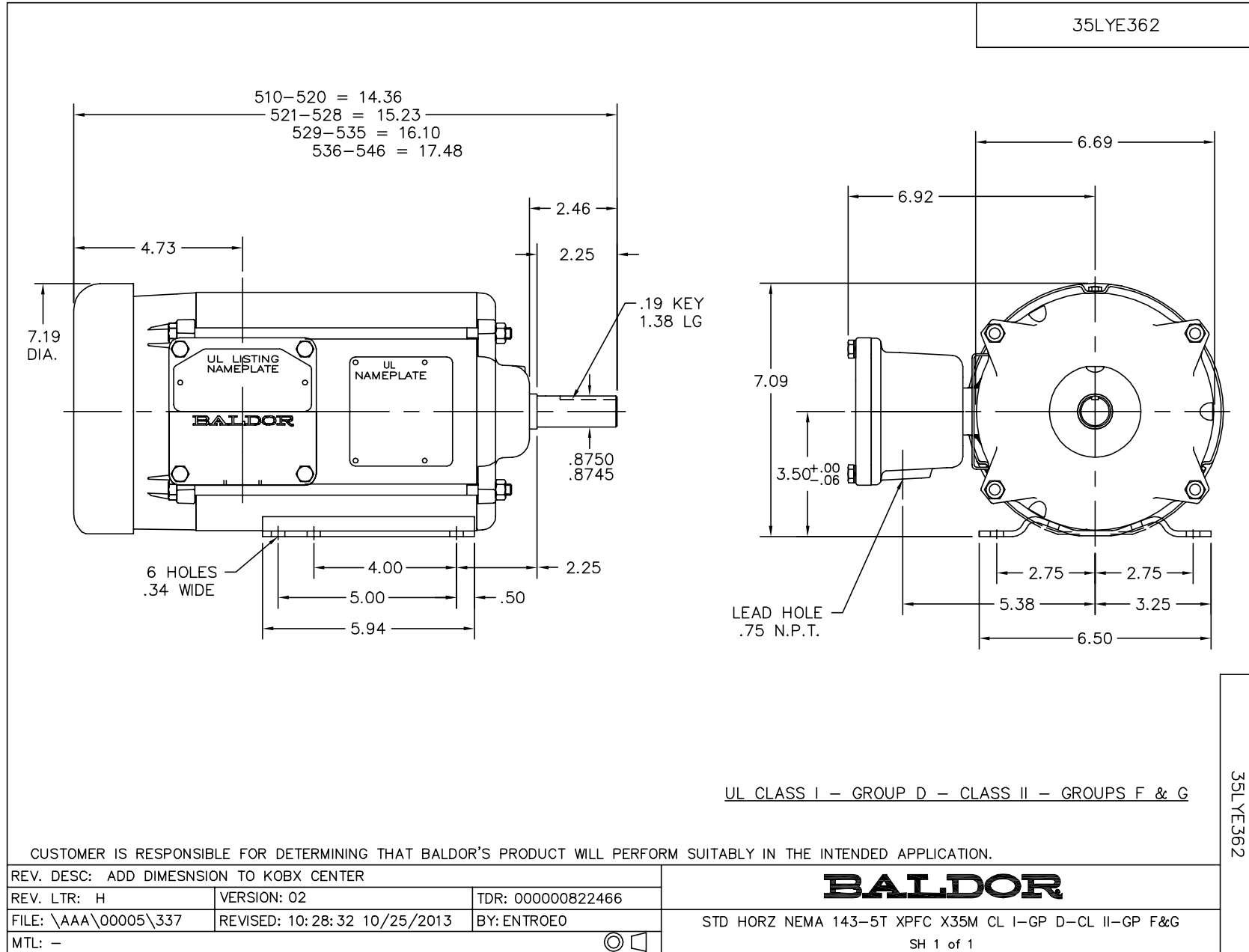
Nameplate Data				460 V, 60 Hz: High Voltage Connection	
Rated Output (HP)	1//.75			Full Load Torque	4.51 LB-FT
Volts	230/460//190/380			Start Configuration	direct on line
Full Load Amps	3.6/1.8//3.4/1.7			Breakdown Torque	15.3 LB-FT
R.P.M.	1155//960			Pull-up Torque	11.1 LB-FT
Hz	60//50	Phase	3	Locked-rotor Torque	11.9 LB-FT
NEMA Design Code	B	KVA Code	K	Starting Current	10.8 A
Service Factor (S.F.)	1			No-load Current	1.21 A
NEMA Nom. Eff.	82.5	Power Factor	64	Line-line Res. @ 25°C	16.1 Ω
Rating - Duty	40C AMB-CONT			Temp. Rise @ Rated Load	47°C
S.F. Amps				Temp. Rise @ S.F. Load	56°C
				Locked-rotor Power Factor	42
				Rotor inertia	0.155 LB-FT <sup>2</sup>

Load Characteristics 460 V, 60 Hz, 1 HP

% of Rated Load	25	50	75	100	125	150
Power Factor	27	43	55	64	70	75
Efficiency	69.3	79.4	82.1	82.8	82.1	80.5
Speed	1190	1181	1170	1159	1146	1130
Line amperes	1.25	1.36	1.53	1.75	2.02	2.33

Performance Graph at 460V, 60Hz, 1.0HP Typical performance - Not guaranteed values





CD0005



LOW VOLTAGE  
(2Y)



LINE

HIGH VOLTAGE  
(1Y)



LINE

NOTES:

1. INTERCHANGE ANY TWO LINE LEADS TO REVERSE ROTATION.
2. OPTIONAL THERMOSTATS ARE PROVIDED WHEN SPECIFIED.
3. ACTUAL NUMBER OF INTERNAL PARALLEL CIRCUITS MAY BE A MULTIPLE OF THOSE SHOWN ABOVE.
4. LEAD COLORS ARE OPTIONAL. LEADS MUST ALWAYS BE NUMBERED AS SHOWN.

REV. DESC: REVISE TO SHOW OPTIONAL COLORS			
REV. LTR: E	BY: JLP	REVISED: 01/19/99 10:15	TDR: 0171435
90000		FILE: AAA00005140	MDL: -
		MTL: -	

**BALDOR ELECTRIC Co.**

3PH, DV, 9 LEADS

CD0005