

# **BALDOR**® • ***RELIANCE***

## **Product Information Packet**

# **EM7064T-I-5**

**50HP,1775RPM,3PH,60HZ,326T,1276M,XPFC,F1**

Part Detail							
Revision:	N	Status:	PRD/A	Change #:		Proprietary:	No
Type:	AC	Prod. Type:	1276M	Elec. Spec:	12WGY593	CD Diagram:	CD0006
Enclosure:	XPFC	Mfg Plant:		Mech. Spec:	12S077	Layout:	12LYS077
Frame:	326T	Mounting:	F1	Poles:	04	Created Date:	07-11-2012
Base:	RG	Rotation:	R	Insulation:	F	Eff. Date:	01-03-2017
Leads:	3#8					Replaced By:	
Literature:		Elec. Diagram:					

Nameplate NP0977XPSLEV											
NO.							CC	010A			
SER.								TEMP CODE	T3C		
SPEC.	12S077Y593G1										
CAT.NO.	EM7064T-I-5										
HP	50 NEMA MG-1 PT.5,IP55										
VOLTS	575										
AMPS	47										
RPM	1775						MOTOR WEIGHT	841			
HERTZ	60			PH	3	CL	F	DE BRG	6312		
SER.F.	1.15			DES	A	CODE	J	ODE BRG	6311		
FRAME	326T			GREASE	POLYREX EM						
RATING	40C AMB-CONT										
USABLE AT 208V							NEMA-NOM-EFF	94.5		PF	84
	55C AMB @ 1.0 SF,60C RISE										

Parts List		
Part Number	Description	Quantity
SA247509	SA 12S077Y593G1	1.000 EA
RA234380	RA 12S077Y593G1	1.000 EA
09FN3001B03SP	EXTERNAL FAN, PLASTIC	1.000 EA
12CB1003A01	CONDUIT BOX MACH. GROUP C MTRS	1.000 EA
10XN3118K24	5/16-18 X 1.50" HEX HD, GRADE 5	4.000 EA
HW1001A31	LOCKWASHER 5/16, ZINC PLT.591 OD, .319 I	4.000 EA
WD1000B19	TERMINAL BURNDY L250HP	1.000 EA
10XN3816K12	3/8-16 X 3/4 HEX HD CAP GRADE 5	1.000 EA
HW1001A38	LOCKWASHER 3/8, ZINC PLT .688 OD, .382 I	1.000 EA
12EP1705A12P	EP, MACH. XPFC, 311 BRG. GRP C, HW4505A0	1.000 EA
HW4505A02	BREATHER/DRAIN-EXP PROOF-.250-18 PTF AIS	1.000 EA
HW3023E06	.125 X .625 SPIRAL SPRING PIN	1.000 EA
HA3051A03	1/2-13X2.75 BLT GR8 1.75 TO E NC F/S	4.000 EA
HW1001A50	LOCKWASHER 1/2, ZINC PLT.,.879 OD, .509 I	4.000 EA
HW5100A13	W4627-047 WVY WSHER	1.000 EA
10XN3118K44	5/16-18 X 2.75" HEX HD, GRADE 5	4.000 EA
HW1001A31	LOCKWASHER 5/16, ZINC PLT.591 OD, .319 I	4.000 EA
12EP1706A08P	EP, MACH. XPFC 312 BRG. W/DRAIN HW4505A0	1.000 EA
HW4505A02	BREATHER/DRAIN-EXP PROOF-.250-18 PTF AIS	1.000 EA
HW3023E06	.125 X .625 SPIRAL SPRING PIN	1.000 EA
HA3051A03	1/2-13X2.75 BLT GR8 1.75 TO E NC F/S	4.000 EA
HW1001A50	LOCKWASHER 1/2, ZINC PLT.,.879 OD, .509 I	4.000 EA
HA2067A02	SLINGER ALUM (AUTO)	1.000 EA
80XN1032A07	SET SCREW, HEX XOCK, ZN	2.000 EA

Parts List (continued)		
Part Number	Description	Quantity
12FH1001A06	FAN HOUSING 312 EXPLOSION PROOF MOTORS	1.000 EA
10XN3118J12	5/16-18 X 3/4 HEX HEAD CAP, GRADE 8	3.000 EA
HW1001A31	LOCKWASHER 5/16, ZINC PLT.591 OD, .319 I	3.000 EA
12CB1502A01	CONDUIT BOX LID MACH. GROUP C MTRS	1.000 EA
84XN5013J32	SOCKET HD.CAP SCR,1/2-13 X 2"LG,ALLOY ST	10.000 EA
HW1001A50	LOCKWASHER 1/2, ZINC PLT.,.879 OD, .509 I	10.000 EA
HW2501H33	KEY, 1/2 SQ X 3.875	1.000 EA
LB1115N	LABEL,LIFTING DEVICE (ON ROLLS)	1.000 EA
LB1081C	ALUM XP CAUTION LABEL (COL PLANT ONLY-	1.000 EA
MN416A01	TAG-INSTAL-MAINT no wire (1000/bx) 11/14	1.000 EA
HW4500A20	1/8NPT SL PIPE PLUG	2.000 EA
MJ1000A02	GREASE, POLYREX EM EXXON (USe 4824-15A)	0.200 LB
HW4500A20	1/8NPT SL PIPE PLUG	2.000 EA
HW2500A25	WOODRUFF KEY USA #1008 #BLOW CARBON STEE	1.000 EA
51XB1214A20	12-14X1.25 HXWSSLD SERTYB	1.000 EA
MG1025G05	WILKOFASST, 789.227, MED. GRAY CHAR. MET.	0.080 GA
85XU0407S04	4X1/4 U DRIVE PIN STAINLESS	6.000 EA
LB1119N	WARNING LABEL	1.000 EA
LC0006	CONNECTION LABEL	1.000 EA
NP0977XPSLEV	SS XP UL CSA-EEV CC CL-I GP-C&D	1.000 EA
12PA1020	PKGP CRATE 312 EXPORT 36 X 30-1/2 X 22-	1.000 EA

**AC Induction Motor Performance Data**

Record # 39103 - Typical performance - not guaranteed values

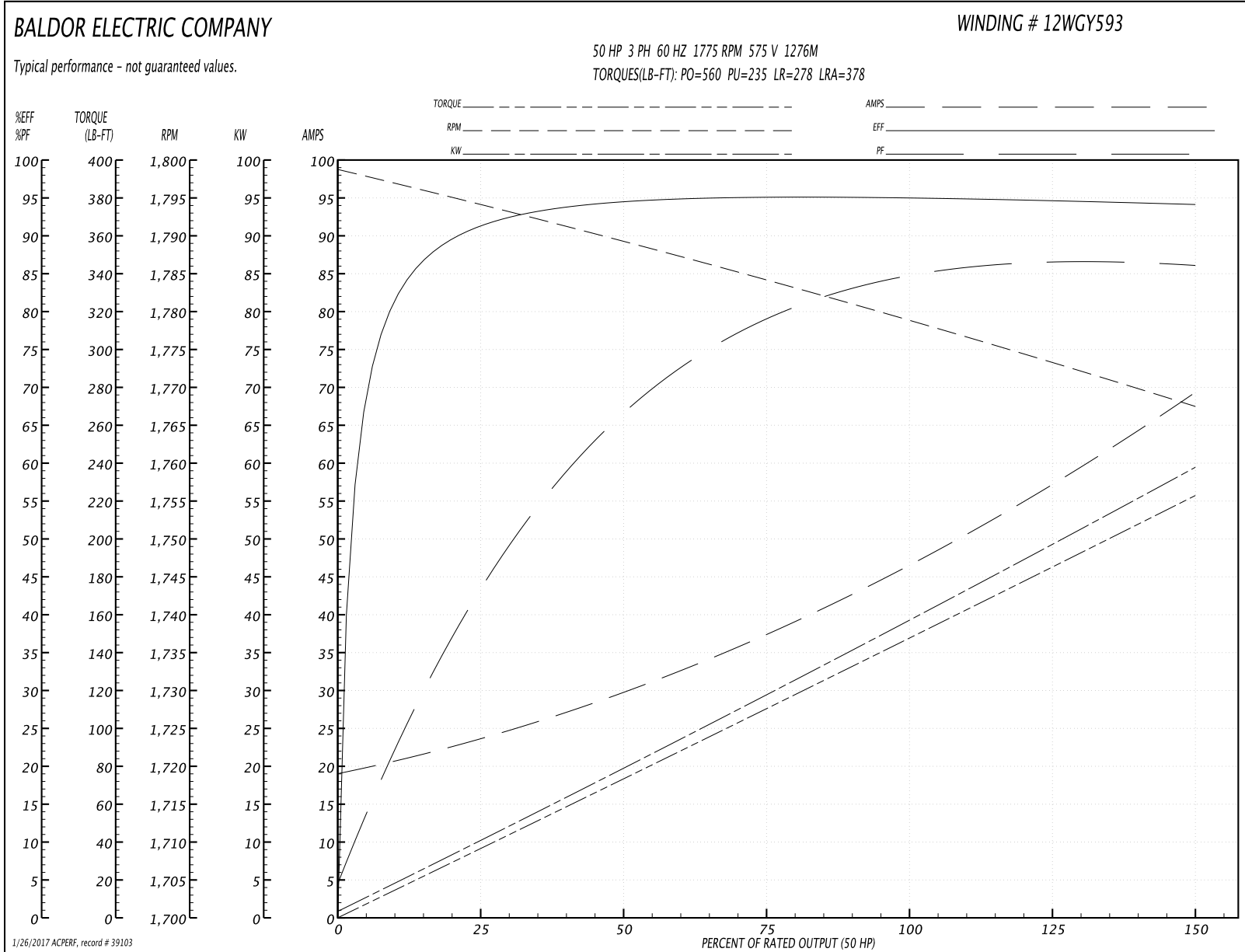
<b>Winding:</b> 12WGY593-R001	<b>Type:</b> 1276M	<b>Enclosure:</b> XPFC
-------------------------------	--------------------	------------------------

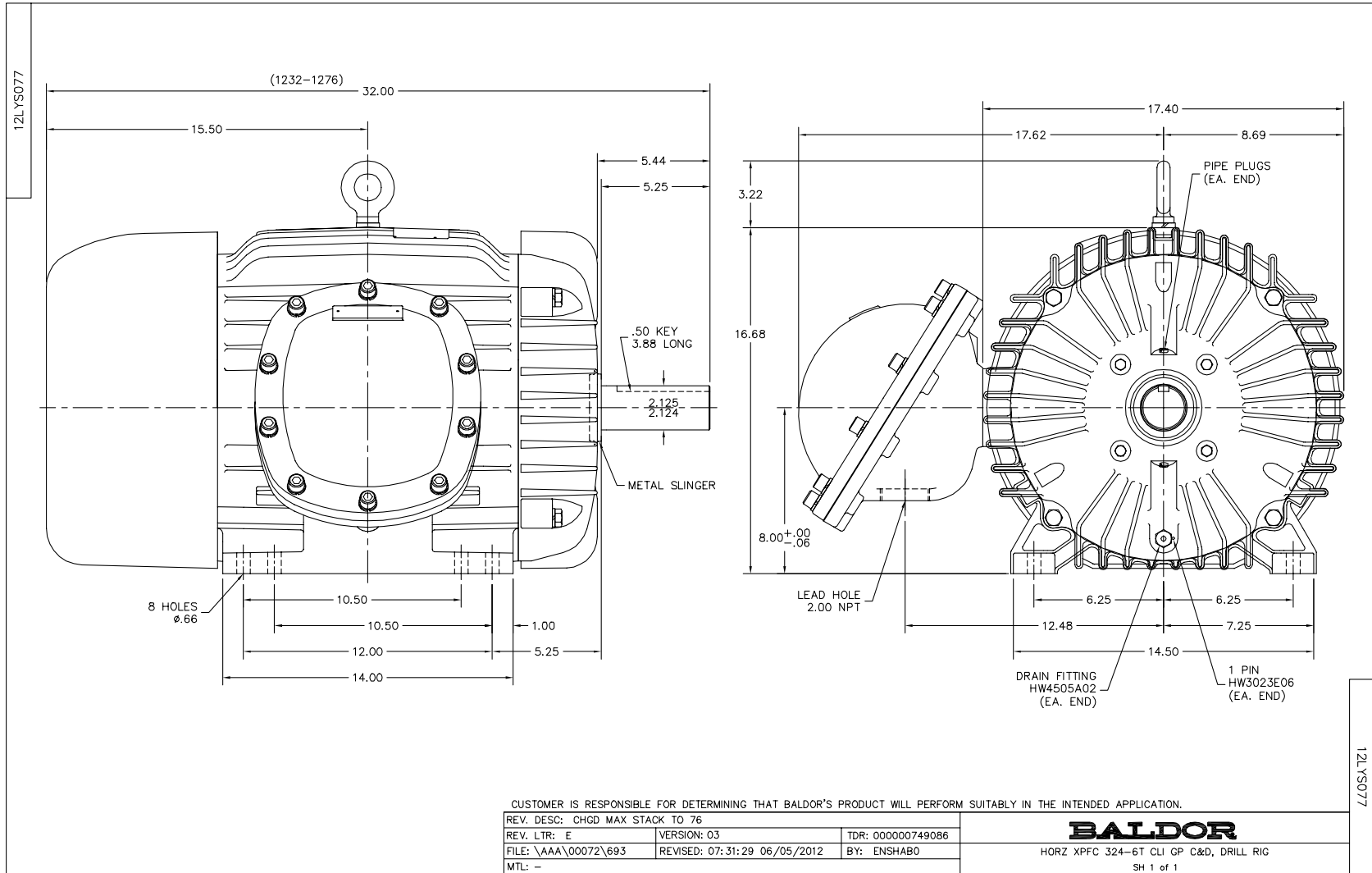
Nameplate Data				575 V, 60 Hz: Single Voltage Motor	
Rated Output (HP)	50			Full Load Torque	148 LB-FT
Volts	575			Start Configuration	direct on line
Full Load Amps	47			Breakdown Torque	560 LB-FT
R.P.M.	1775			Pull-up Torque	235 LB-FT
Hz	60	Phase	3	Locked-rotor Torque	278 LB-FT
NEMA Design Code	A	KVA Code	J	Starting Current	378 A
Service Factor (S.F.)	1.15			No-load Current	19.8 A
NEMA Nom. Eff.	94.5	Power Factor	84	Line-line Res. @ 25°C	0.143 Ω
Rating - Duty	40C AMB-CONT			Temp. Rise @ Rated Load	55°C
S.F. Amps				Temp. Rise @ S.F. Load	66°C
				Locked-rotor Power Factor	26.3
				Rotor inertia	10.1 LB-FT <sup>2</sup>

Load Characteristics 575 V, 60 Hz, 50 HP

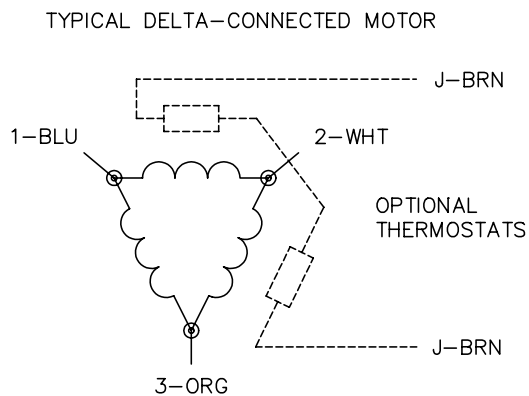
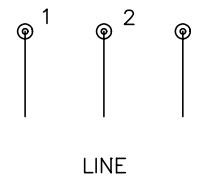
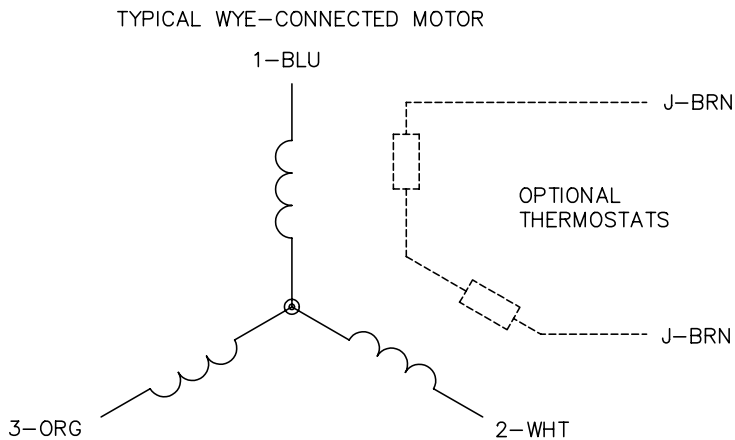
% of Rated Load	25	50	75	100	125	150	S.F.
Power Factor	45	68	78	84	86	87	85
Efficiency	91.2	94.3	94.9	95.2	94.7	94.1	94.9
Speed	1794	1789	1784	1779	1774	1767	1776
Line amperes	22.6	29.3	37.6	47	57.7	68.8	53.4

Performance Graph at 575V, 60Hz, 50.0HP Typical performance - Not guaranteed values





CD0006



NOTES:

1. THREE LEAD MOTOR MAY BE EITHER WYE CONNECTED OR DELTA CONNECTED.
2. INTERCHANGE ANY TWO LINE LEADS TO REVERSE ROTATION.
3. OPTIONAL THERMOSTATS ARE PROVIDED WHEN SPECIFIED.
4. ACTUAL NUMBER OF INTERNAL PARALLEL CIRCUITS MAY VARY.
5. LEAD COLORS ARE OPTIONAL. LEADS MUST BE NUMBERED AS SHOWN.

REV. DESC: REVISE TO SHOW OPTIONAL COLORS			
REV. LTR: D	BY: JLP	REVISED: 01/21/99 4:02	TDR: 0171435
9000D		FILE: AAA00005141	MDL: -
		MTL: -	

**BALDOR ELECTRIC Co.**

3PH, SV, 3 LEADS, WYE OR DELTA CONNECTED

CD0006