

BALDOR® • RELIANCE

Product Information Packet

EM7600T-I

125HP, 1785RPM, 3PH, 60HZ, X444T, A44062M, TEF

Part Detail							
Revision:	A	Status:	PRD/A	Change #:		Proprietary:	No
Type:	AC	Prod. Type:	A44062M	Elec. Spec:	A44WG1796	CD Diagram:	416820-036
Enclosure:	TEFC	Mfg Plant:		Mech. Spec:		Layout:	617426-001
Frame:	X444T	Mounting:	F1	Poles:	04	Created Date:	03-27-2015
Base:		Rotation:	R	Insulation:	F	Eff. Date:	01-20-2016
Leads:	3#1					Replaced By:	
Literature:		Elec. Diagram:					

Nameplate 000613006PC

CLASS I GROUP	D X X
CLASS II GROUP	E F G
OPERATING TEMP CODE	T3C

Nameplate NP2293L			
CAT.NO.	EM7600T-I	SPEC NO.	A44-6802-1796
HP	125	PHASE	3
RPM	1785	DESIGN	B
VOLTS	460	TYPE	P
AMPS	139	AMB	40
DRIVE END BEARING	90BC03J30X	SF	1.15
OPP D.E. BEARING	90BC03J30X	DUTY	CONT
SER.NO.		ENCL	TEFC
		INSUL.CLASS	F
		CODE	G
		NEMA-NOM-EFFICIENCY	95.8
		FRAME	X444T
		MOTOR WEIGHT	1804

Nameplate NP2496L	
MOBIL POLYREX EM	

Parts List		
Part Number	Description	Quantity
SA312623	SA A44-6802-1796	1.000 EA
RA300062	RA A44-6802-1796	1.000 EA
000692000VD	LABEL WARNING	1.000 EA
000692000FF	N/P	1.000 EA
000613006PC	N/P U/L (REL QTY 500)	1.000 EA
LB1073	ALUM XP CAUTION LABEL	1.000 EA
NP2293L	BALDOR RELIANCE INDUST. MTR,SS,CSA-C US,	1.000 EA
NP2496L	MOTOR LUBE NAMEPLATE	1.000 EA
HW4505A02	BREATHER/DRAIN-EXP PROOF-.250-18 PTF AIS	2.000 EA
089448117E	G28 XP FT MT DE BRKT GRP E 0894480116WCB	1.000 EA
415072001B	CLAMP	1.000 EA
083199082RA	G28 SHORT FAN COVER W/BAFFLE ASSEMBLY	1.000 EA
034180014DA	KEY 1/4X1/4X1-3/4 L	1.000 EA
078548001R	FAN KB 234/150 (84) 400	1.000 EA
004824015A	GREASE POLYREX EM	1.160 LB
032018008CK	HHCS 3/8-16X1L PLATED	4.000 EA
032018028DK	HHCS 1/2-13X3-1/2 PLTD.	3.000 EA
415096002A	CPLG 1/8 HEX TYPE	1.000 EA
034630002AB	CPLG 1/4" PLATED	1.000 EA
415044053AX	SLINGER,DE 6318 G440	1.000 EA
410700004A	WSHR	1.000 EA
034017014AB	LCKW 3/8 STD. PLATED	4.000 EA
032130024HB	HSHCS 1-8X3" PLATED	4.000 EA
034530072AB	P/NIP 1/8X9"L Threaded both ends	1.000 EA

Parts List (continued)		
Part Number	Description	Quantity
034530072BB	PIPE NIPPLE,DE - 440-BS	1.000 EA
032620016KB	HSRSS; 1/4X1/2	2.000 EA
034690002AB	"unbulked" PPLG 1/4" PLTD.	1.000 EA
034690002AB	"unbulked" PPLG 1/4" PLTD.	1.000 EA
089448117E	G28 XP FT MT DE BRKT GRP E 0894480116WCB	1.000 EA
032018030DK	HHCS 1/2-13X3-3/4 PLTD.	3.000 EA
415044053AX	SLINGER,DE 6318 G440	1.000 EA
034017016AB	LCKW 1/2" PLATED	3.000 EA
032620016KB	HSRSS; 1/4X1/2	2.000 EA
034530044BB	P/NIP 1/4X5-1/2L PLT	1.000 EA
034530044AB	P/NIP 1/8X5-1/2L GALV.	1.000 EA
415096002A	CPLG 1/8 HEX TYPE	1.000 EA
034630002AB	CPLG 1/4" PLATED	1.000 EA
702623018B	BRKT MOUNTED G28 XP T-BARRIER - 6318 BRG	1.000 EA
032018006BK	HHCS 5/16-18X3/4 PLATED	3.000 EA
034017013AB	LCKW 5/16 STD. PLATED	3.000 EA
032130024HB	HSHCS 1-8X3" PLATED	4.000 EA
18CB1004A01	STD CONDUIT BOX 444-449T 318 EXPL PROOF	1.000 EA
18CB1504A01	STD CONDUIT BOX LID 444-449T 318 EXPL PR	1.000 EA
418150003A	GREASE FITTING CAP	1.000 EA
034017018AB	LCKW 5/8"	10.000 EA
035000001A	ALFTG 1/8" 1610-BL	1.000 EA
032130016EB	HSHCS 5/8-11X2 PLTD.	10.000 EA
032130020EB	HSHCS 5/8-11X2-1/2PLTD.	4.000 EA

Product Information Packet: EM7600T-I - 125HP,1785RPM,3PH,60HZ,X444T,A44062M,TEF

034017018AB	LCKW 5/8"	4.000 EA
047024002J	TERMINAL LUG - MAKE FM F	1.000 EA
406099000A	PLUG - FAN COVER 320-440	1.000 EA
032620016LA	SOCKET SET SCREW-449	3.000 EA
032018008DK	HHCS 1/2-13X1 PLATED	1.000 EA
406055001B	GRFTG	1.000 EA
035000001A	ALFTG 1/8" 1610-BL	1.000 EA
418150003A	GREASE FITTING CAP	1.000 EA
MG1025G05	WILKOFAS, 789.227, MED. GRAY CHAR. MET.	0.250 GA
033775004EA	DRSCR #6-1/4 304 S.S.	4.000 EA
85XU0407S04	4X1/4 U DRIVE PIN STAINLESS	2.000 EA
034180054KA	KEY 7/8X7/8X6-3/4 L	1.000 EA
604797045	STD. 400 FRAME SKID	1.000 EA
032510024D	CARRIAGE BOLT - 444	2.000 EA
034001014AB	FLAT WASHER 3/8"PLATED	2.000 EA
034001016AB	WSHR .562ID 1.375OD .109	2.000 EA
033300014AC	HEX NUT, SHIPPING - 400	2.000 EA
604797003C	SHIPPING BAG	1.000 EA

617426-001

DUTY MASTER ALTERNATING CURRENT MOTORS

SQUIRREL-CAGE INDUCTION

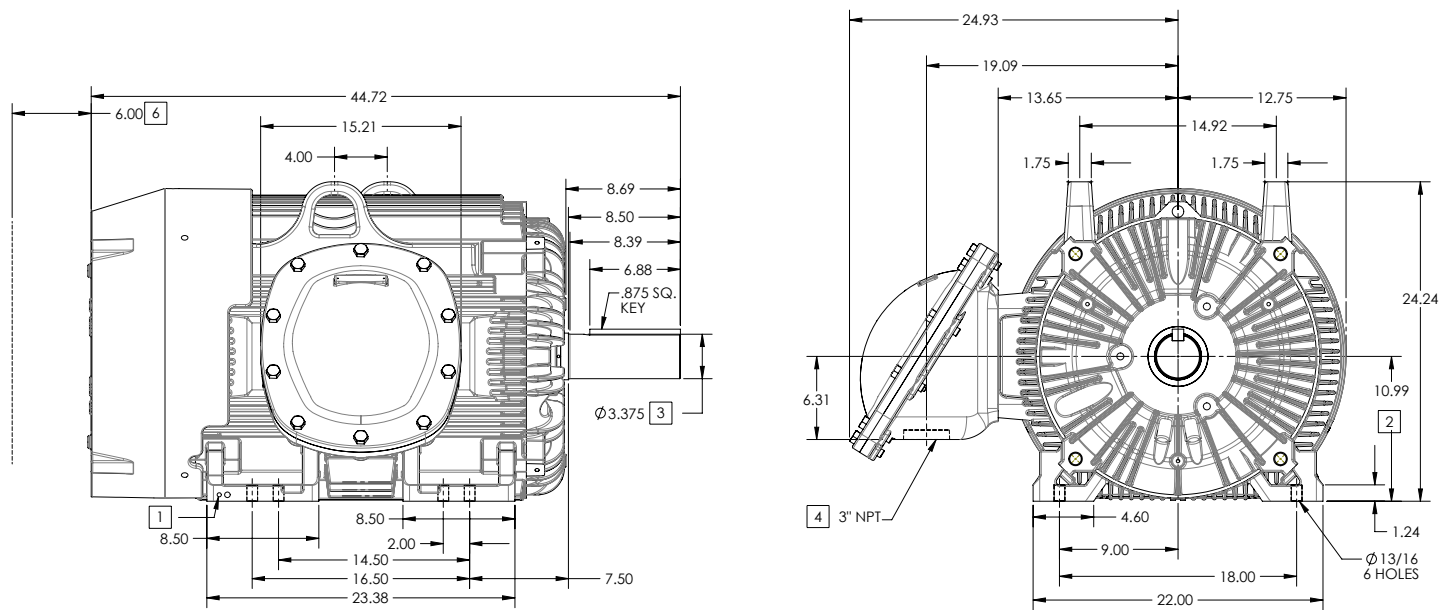
ENCLOSURE: UL LISTED MOTOR

FRAME G445T ABOVE NEMA RATINGS

COOLING: FAN COOLED

MOUNTING: FOOT

INCLUDES 444T FRAME MOUNTING HOLES



1. GROUND HOLES QTY 1 1/2-13 TAP; QTY 1 3/8-16 TAP
2. VARIES +.00,-.06
3. VARIES +.000,-.001
4. ON STANDARD MOTORS THIS IS CONDUIT SIZE. ON XT AND CORROSION PROOF MOTOR THIS IS PIPE TAP.
5. MOTOR WEIGHTS MAY VARY BY 15% DEPENDING ON RATING.
6. OBSTRUCTION MUST NO ENCROACH ON AIR INLET

CONDUIT BOX LOCATED ON OPPOSITE SIDE WHEN F-2.
IF MOUNTING CLEARANCE DETAILS ARE REQUIRED, CONSULT FACTORY.
MAXIMUM PERMISSIBLE SHAFT RUNOUT WHEN MEASURED AT END OF
STANDARD SHAFT EXTENSION IS .003" T.I.R. TO 5 INCH DIA.

[5] WEIGHT (LBS): 2150

DRIVE END AIR DEFLECTOR IS ONLY INCLUDED WHEN NECESSARY.

DIMENSIONS ARE IN INCHES; SEE SHEET 2 FOR DIMENSIONS IN MILLIMETERS

CUSTOMER IS RESPONSIBLE FOR DETERMINING THAT MOTOR PERFORMANCE IS SUITABLE IN THE APPLICATION.

SHEET NUMBER
1 OF 2

100-9C72119

REV. DESC: CHANGED TO HAVE NEMA "BA" DIMENSION	REVISED: 10-13-00 11/20/2015	TDR: 00000926001
REV: C	VERSION: 03	REF:
MODEL NO. 617426-001	BY: RAGTBM	Material:

BALDOR

G445T-444T XP - FOOTED - SIDE/CENTER C/B

617426-001

DUTY MASTER ALTERNATING CURRENT MOTORS

SQUIRREL-CAGE INDUCTION

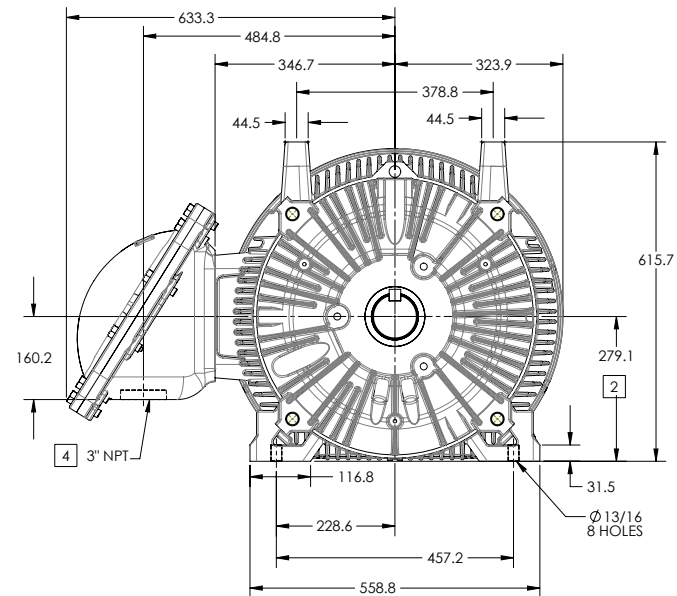
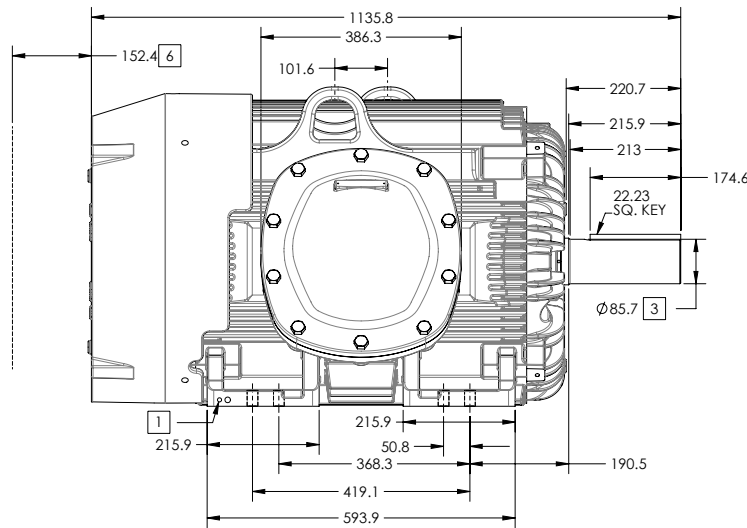
ENCLOSURE: UL LISTED MOTOR

FRAME G445T ABOVE NEMA RATINGS

COOLING: FAN COOLED

MOUNTING: FOOT

INCLUDES 444T FRAME MOUNTING HOLES



- 1. GROUND HOLES QTY 1 1/2-13 TAP; QTY 1 3/8-16 TAP
- 2. VARIES +.00, -.06
- 3. VARIES +.000, -.001
- 4. ON STANDARD MOTORS THIS IS CONDUIT SIZE. ON XT AND CORROSION PROOF MOTOR THIS IS PIPE TAP.
- 5. MOTOR WEIGHTS MAY VARY BY 15% DEPENDING ON RATING.
- 6. OBSTRUCTION MUST NO ENCR OACH ON AIR INLET

CONDUIT BOX LOCATED ON OPPOSITE SIDE WHEN F-2.
IF MOUNTING CLEARANCE DETAILS ARE REQUIRED, CONSULT FACTORY.
MAXIMUM PERMISSIBLE SHAFT RUNOUT WHEN MEASURED AT END OF STANDARD SHAFT EXTENSION IS .08 MM T.I.R. TO 127 MM DIA.

5 WEIGHT (KGS): 975

DRIVE END AIR DEFLECTOR IS ONLY INCLUDED WHEN NECESSARY.

DIMENSIONS ARE IN MILLIMETERS; SEE SHEET 1 FOR DIMENSIONS IN INCHES

CUSTOMER IS RESPONSIBLE FOR DETERMINING THAT MOTOR PERFORMANCE IS SUITABLE IN THE APPLICATION.

SHEET NUMBER
2 OF 2

100-9C7219

REV. DESC: CHANGED TO HAVE NEMA "BA" DIMENSION	REVISED: 10-13-00 11/20/2015	TDR: 00000926001
REV: C	VERSION: 03	REF:
MODEL NO. 617426-001	BY: RAGTBM	Material:

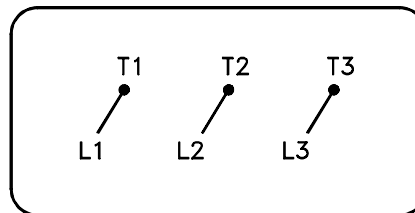
BALDOR

G445T-444T XP - FOOTED - SIDE/CENTER CB

617426-001

416820-036

A-C MOTOR
CONNECTION DIAGRAM
STANDARD 3 LEAD CONNECTED



(N.P. 1575-BA)

416820-036

REV. DESC: LOADED TO BUS, C/R 335225		
REV. LTR: -	VERSION: 00	TDR: 000000538207
FILE: \MGA\00000\682	REVISED: 11:54:06 04/30/2010	
MTL: -	BY: RAGRA	

BALDOR

CONN DIAG - STANDARD 3 LEAD

SH 1 of 1