

BALDOR® • ***RELIANCE***

Product Information Packet

GC24305

G.M. T18BA 115V AC 50//60HZ 30:1

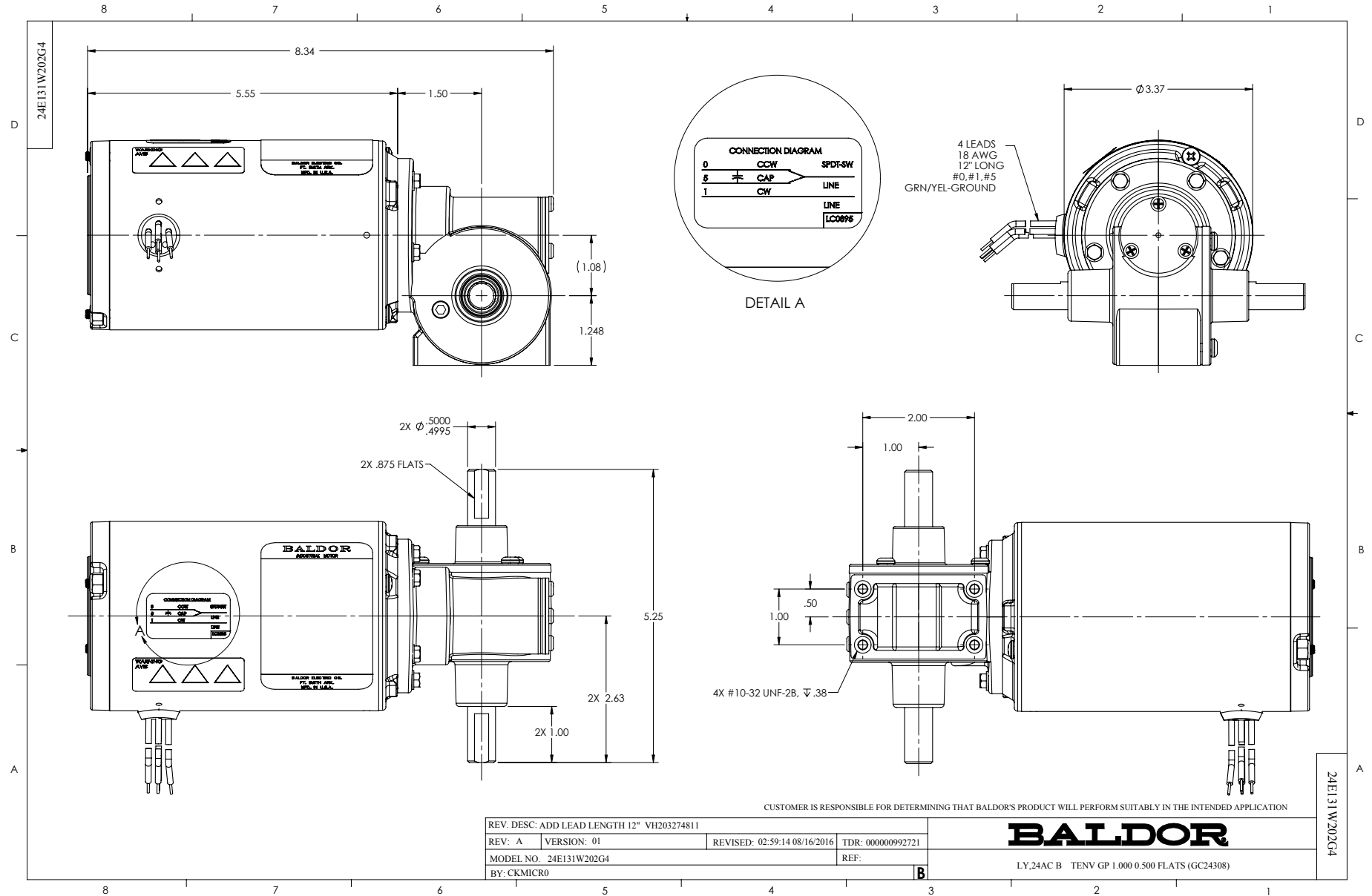
| Part Detail | | | | | | | |
|-------------|------|----------------|-------|-------------|----------|---------------|--------------|
| Revision: | C | Status: | PRD/A | Change #: | | Proprietary: | No |
| Type: | AC | Prod. Type: | 2418C | Elec. Spec: | 24WGW202 | CD Diagram: | CD1018 |
| Enclosure: | TENV | Mfg Plant: | | Mech. Spec: | | Layout: | 24E131W202G4 |
| Frame: | BB | Mounting: | | Poles: | 04 | Created Date: | 06-04-2014 |
| Base: | | Rotation: | R | Insulation: | F | Eff. Date: | 04-18-2016 |
| Leads: | 3#18 | | | | | Replaced By: | |
| Literature: | | Elec. Diagram: | | | | | |

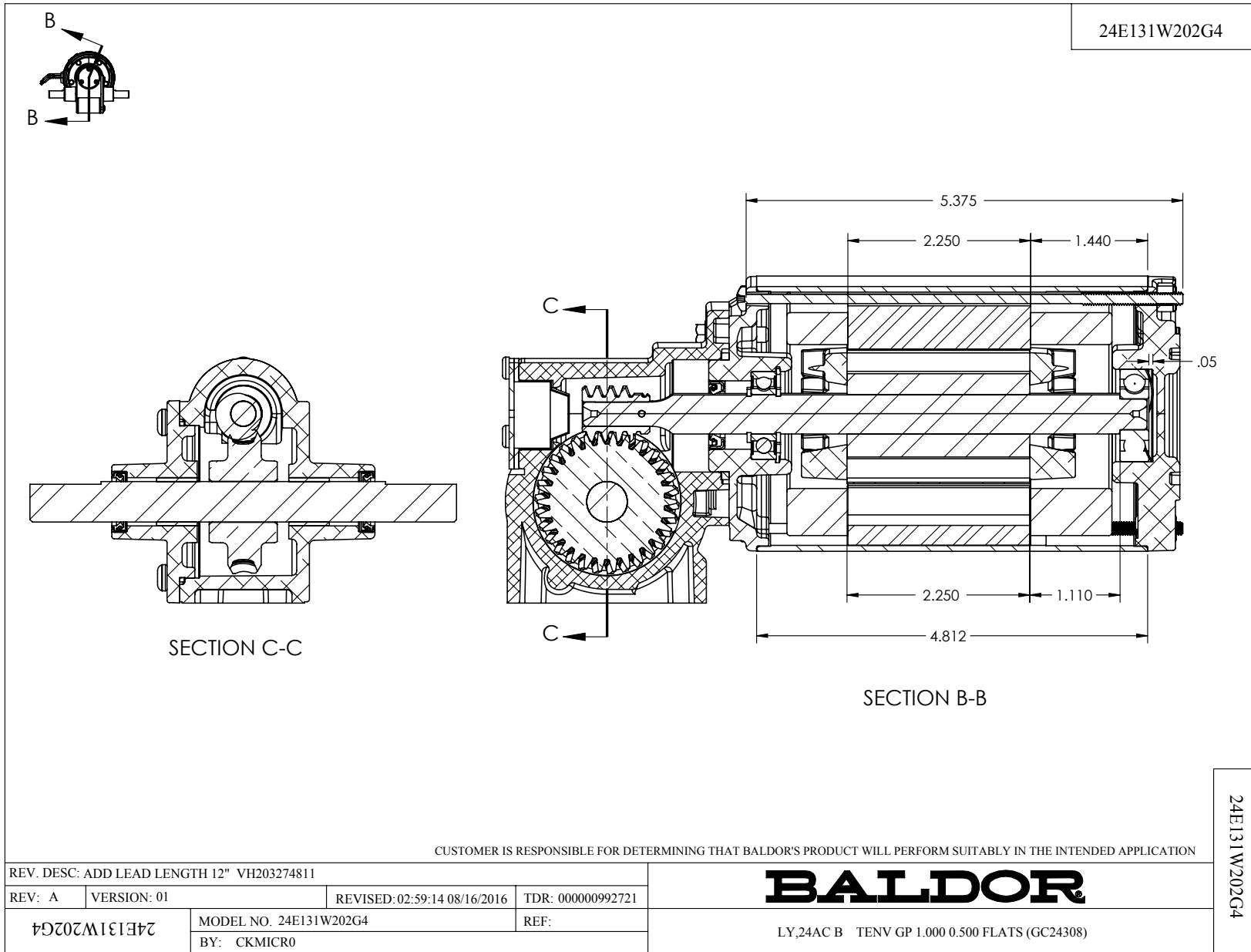
| Nameplate NP1220A05 | | | |
|---------------------|--------------|----------|---------|
| CAT.NO. | GC24305 | | |
| SER.NO. | | | |
| SPEC. | 24E131W202G4 | | |
| HP | .056//.067 | TE | |
| VOLTS | 115 | | |
| AMP | .93//.85 | | |
| HZ | 50//60 | PH | 1 |
| AMB. | 40 | DUTY | CONT |
| CAP | 10 | CODE | - |
| SER.F. | 1.00 | CLASS | F |
| SF AMP | | | |
| R.P.M. | 43//53 | | |
| TORQ/IN LB | 32 | | |
| RATIO | 30:1 | | |
| APRV-CE | | APRV-CSA | |
| | | | APRV-UL |

| Parts List | | |
|--------------|--|----------|
| Part Number | Description | Quantity |
| SA282786 | SA 24E131W202G4 | 1.000 EA |
| RA269082 | RA 24E131W202G4 | 1.000 EA |
| SR002310 | SR 24E131W202G4 | 1.000 EA |
| OC4010A02 | DRY FILM METALLIZED CAP,10MFD 370V | 1.000 EA |
| LC0895A07 | CONN.DIAGRAM 1PH,SINGLE VOLT,TYPE PSC | 1.000 EA |
| 24EP3108A01G | EP,24AC DE CL R8 RA | 1.000 EA |
| HW5002A44 | N5002-112 RET RING INTERNBEVELED F/6001 | 1.000 EA |
| HW4600G70 | SEAL .500" X .875" X .200 SGL LIP FT802 | 1.000 EA |
| HW5060A27 | RET RING, 1/2" HEAVY DUTY | 2.000 EA |
| BMH1746 | WASHER,PREC .439"X.192" X.020"SPRING STE | 3.000 EA |
| WM0038A05 | WORM,BE 30.0 INP 1.083 C.D. | 1.000 EA |
| HW3082B05 | 5/64 X 1/2 GROOVE PIN TYPE A,THRU HARDEN | 1.000 EA |
| MJ5019A01 | ADHESIVE LOCTITE #680 WAS BAD4525 | 0.010 EA |
| RM1037 | GROMMET NEOPRENE - (65-75 DUROMETER) | 1.000 EA |
| 24EP3100A05G | EP,24AC ODE CL NONE | 1.000 EA |
| HW5109A08 | WASHER, WAVE SPRING FOR 30MM BORE SMALLE | 1.000 EA |
| 55XT0632G03 | 6-32 X 0.187 RD HD PHILLIPS, SERRATED | 1.000 EA |
| HA3199A86 | THRU-BOLT PAN HEAD 8-32 X 5.375 | 2.000 EA |
| HW3030A85 | #8-32 UNC-3B ELASTIC STOPNUT TDR#21624 | 2.000 EA |
| BHG5353-002G | HOUSING, B BOX GEAR HEAD | 1.000 EA |
| RM1057 | RUBBER SQUARE RING 1.424 I.D. | 1.000 EA |
| 19XN1032A12 | SCREW, HEX WASHER HEAD, #10-32 X .750 | 4.000 EA |
| HA4021A05 | 1/16 NPSF-HX SOC PIPE PLUG TAPER DRY SEA | 1.000 EA |
| BH1104 | PAPZ0808-P14 SLEEVE BRG | 1.000 EA |

| Parts List (continued) | | |
|-------------------------------|--|-----------------|
| Part Number | Description | Quantity |
| HW4600C29 | SEAL, TCM #0507416 SCW .50X.75X.165 RB | 1.000 EA |
| HA1194B02 | BLADDER,BDE EXPANSION | 1.000 EA |
| 15XM0632A06 | SCREW, 6-32X .375, THREAD FORMING | 3.000 EA |
| BCG5490-001G | CAP, "B" BOX GEARHOUSING, MACH'D | 1.000 EA |
| BH1104 | PAPZ0808-P14 SLEEVE BRG | 1.000 EA |
| HW4600C29 | SEAL, TCM #0507416 SCW .50X.75X.165 RB | 1.000 EA |
| RM1078 | RUBBER SQUARE RING 1.864 I.D. | 1.000 EA |
| 60XM0832A08 | SCREW, PAN TORX 8-32X.500 THREAD FORMING | 3.000 EA |
| MJ1000B02 | KLUB. GH6-460 GEAR OIL 1 GALLON | 0.008 GA |
| NP1220A05 | NP,AC STD AD NONE V CE CSA UL GEAR MOTOR | 1.000 EA |
| MN416A01 | TAG-INSTAL-MAINT no wire (1000/bx) 11/14 | 1.000 EA |
| LB1451 | WARNING LABEL, CE WARNING SYMBOLS ONLY | 1.000 EA |
| CPA1000 | PACKING GROUP STD. SINGLE | 1.000 EA |

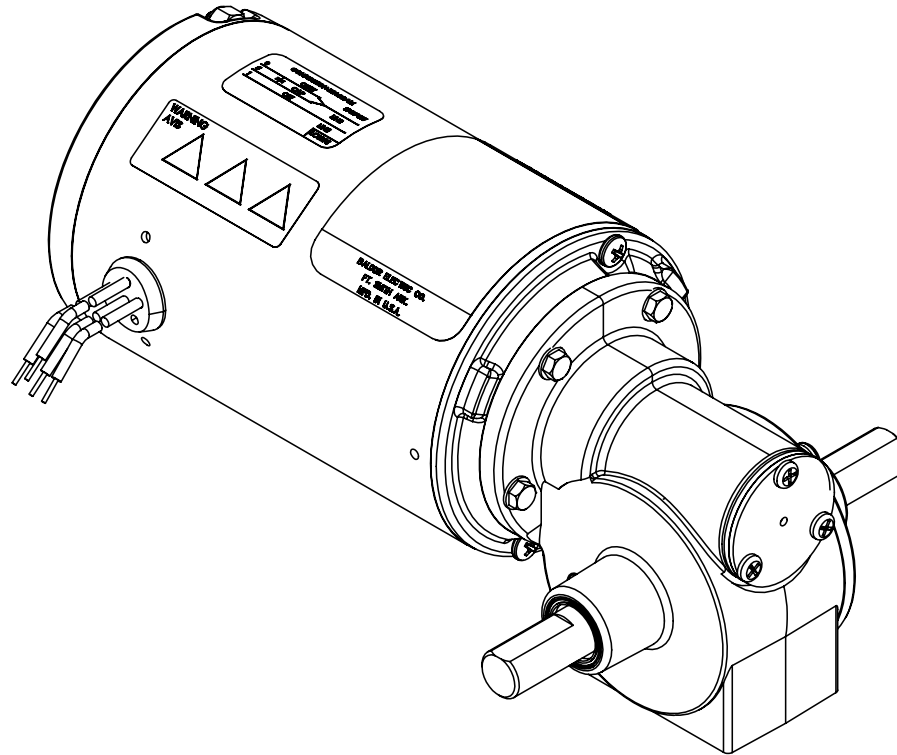
No performance data has been
assigned to this product.





| ITEM NO. | PART NUMBER | QTY. |
|----------|-------------|------|
| 1 | 24EP3108A01 | 1 |
| 2 | BG60R8C03 | 1 |
| 3 | HW5002A44 | 1 |
| 4 | HW4600D35 | 1 |
| 5 | 24SH2535A01 | 1 |
| 6 | HW5060A27 | 2 |
| 7 | 24RC4018A00 | 1 |
| 8 | BG6200C03 | 1 |
| 9 | WM0038A05 | 1 |
| 10 | HW3082B05 | 1 |
| 11 | 24SB0036A01 | 1 |
| 12 | RM1037 | 1 |
| 13 | LEAD-1 | 4 |
| 14 | 24EP3100A05 | 1 |
| 15 | HW5109A08 | 1 |
| 16 | 55XT0632G03 | 1 |
| 17 | HA3199A86 | 2 |
| 18 | HW3030A85 | 2 |
| 19 | RM1057 | 1 |
| 20 | BHG5353-002 | 1 |
| 21 | BH1104 | 2 |
| 22 | HA4021A05 | 1 |
| 23 | HW4600C29 | 2 |
| 24 | 19XN1032A12 | 4 |
| 25 | HA1194B02 | 1 |
| 26 | 15XM0632S06 | 3 |
| 27 | SH0100A57 | 1 |
| 28 | GE0054A05 | 1 |
| 29 | BCG5490-001 | 1 |
| 30 | RM1078 | 1 |
| 31 | 60XM0832A08 | 3 |
| 32 | NP1220A05 | 1 |
| 33 | LB1451 | 1 |
| 34 | LC0895A07 | 1 |

CUSTOMER IS RESPONSIBLE FOR DETERMINING THAT BALDOR'S PRODUCT WILL PERFORM SUITABLY IN THE INTENDED APPLICATION



24E131W202G4

24E131W202G4

REV. DESC: ADD LEAD LENGTH 12" VH203274811

REV: A VERSION: 01 REVISED: 02:59:14 08/16/2016 TDR: 000000992721

24E131W202G4

MODEL NO. 24E131W202G4

BY: CKMICRO

REF:

BALDOR

LY,24AC B TENV GP 1.000 0.500 FLATS (GC24308)

