

BALDOR® • ***RELIANCE***

Product Information Packet

IDBRPM445004

500HP, 1800/2700RPM, 460V, FL4451Z, TEBC

Part Detail							
Revision:	-	Status:	PRD/A	Change #:		Proprietary:	No
Type:	AC	Prod. Type:		Elec. Spec:	L4345A	CD Diagram:	422927-001
Enclosure:	TEBC	Mfg Plant:		Mech. Spec:		Layout:	617569-001
Frame:	FL4451Z	Mounting:	F3	Poles:	06	Created Date:	04-09-2015
Base:		Rotation:	R	Insulation:	H	Eff. Date:	04-13-2015
Leads:						Replaced By:	
Literature:		Elec. Diagram:					

		DUTY	HP	RPM	AMPS	VOLTS	HZ			
	CONT		500	1790	591	460	90			
	CONT		500	2500	590	460	125.9			
CAT.NO.	IDBRPM445004			SPEC. NO.		B515366				
SER.NO.				FR	FL 4451Z	INSUL	H			
PH.	3	MAX SAFE SPEED		2800	AMB.	40			MIN. AMB.	-25
DESIGN NO.	L4345A			TYPE						
S.F.	1.0			D.E. BRG.	100BC02J30X					
ENCL MOD				O.D.E. BRG.	6222MCVL0241					

Parts List		
Part Number	Description	Quantity
WS287844	WS B515366	1.000 EA
RA284089	RA B515366	1.000 EA
000613006MY	NP-RPMAC INVERTER DUTY	1.000 EA
000692000EF	CAUTION LABEL	1.000 EA
000692000FP	NP, WARNING LIFT INSTRUCTIONS	1.000 EA
000692000NH	LABEL DIRECTION AIR FL	1.000 EA
000692000VD	LABEL WARNING	1.000 EA
418057249A	LABEL (WARNING)	1.000 EA
418057747A	METAL FASTENER	8.000 EA
422927001	C/D LABEL	1.000 EA
004824007AB	PAINT,XT	0.300 EA
004824015A	GREASE POLYREX EM	1.100 LB
034693003AB	PPLG 3/8" SLOT PIPE PLUG	1.000 EA
034693003AB	PPLG 3/8" SLOT PIPE PLUG	1.000 EA
035000001A	ALFTG 1/8" 1610-BL	1.000 EA
035000001BB	GREASE FTG,GRS.IN	1.000 EA
036000080KB	HHCSM10-1.5X80MMPLTD-360	4.000 EA
036000080KB	HHCSM10-1.5X80MMPLTD-360	4.000 EA
036140001F	M30-3.5 X 45MM EYEBOLT	2.000 EA
036210130PC	STUD	4.000 EA
036210130PC	STUD	4.000 EA
036500014AB	M-20 METRIC HEX NUT	4.000 EA
036500014AB	M-20 METRIC HEX NUT	4.000 EA
418150003A	GREASE FITTING CAP	2.000 EA

Parts List (continued)		
Part Number	Description	Quantity
424433001A	WAVY SPRING WSHER	1.000 EA
602018077A	DRAIN	1.000 EA
602018077A	DRAIN	1.000 EA
807587003AAA	BRKT,DE,FL440	1.000 EA
807587004AAB	BRKT,ODE,FL440	1.000 EA
032018008CK	HHCS 3/8-16X1L PLATED	4.000 EA
034530024AB	PNIP L 1/8X3L PLATED	1.000 EA
034630001AJ	1/8" PIPE COUPLING	1.000 EA
036000012KB	M10 1.50 X 12MM HXHDCS	4.000 EA
036000016HD	HXHCS	8.000 EA
036000016KB	HHCSM10-1.5X16MM PLTD-280	2.000 EA
036000020HB	HHCS M6-1.0X20MM PLATED	2.000 EA
036000020JD	HHCS M8X20MM LONG 304S.S	5.000 EA
036000025KB	HHCS,BRACE C/BOX	2.000 EA
036000025KB	HHCS,BRACE C/BOX	4.000 EA
036000025KB	HHCS,BRACE C/BOX	8.000 EA
036000070LB	MHHCS M12-1.75X70M -360	4.000 EA
036500008AB	METRIC H.NUT M6-1.0 PLTD	2.000 EA
036600008AB	MFWSH M6 PLATED	4.000 EA
036600008AD	FLTWSHR,T BLK SPT	8.000 EA
036610010AB	MHSLW M10 PLATED	4.000 EA
036620010AB	M10 EXT. TOOTH LK WASHER	1.000 EA
036620010AB	M10 EXT. TOOTH LK WASHER	2.000 EA
049730000H	PLUG 1.25"	1.000 EA

Product Information Packet: IDBRPM445004 - 500HP, 1800/2700RPM, 460V, FL4451Z, TEBC

417733036B	GASKT,C/BOX BACKPLATE,REF 706310063E	1.000 EA
415000103F	TLUG	2.000 EA
417733004M	GASKT	2.000 EA
417733013E	GASKT L440	1.000 EA
417733014F	GASKT L440	1.000 EA
418010012F	COVER	1.000 EA
418018074A	GROUND LABEL G100 METRIC 160 D.C.	4.000 EA
418019012A	SETSCREW METRIC	2.000 EA
418057256C	HHCS M10 25MM 440 IEC	1.000 EA
418057549	RTD LABEL	1.000 EA
610490007A	2 AIR OVERHP,1750RPM,3PH,60HZ,56CZ,3524M	1.000 EA
613450026A	FAN	1.000 EA
706310058E	KOBX CVR - 18.90 [480] X 19.49 [495]	1.000 EA
706310059F	ADAPT L440 REK	1.000 EA
706310063E	CBOX L440 1260A MAX	1.000 EA
706310082A	ADAPT (CBOX) L440	1.000 EA
807500074A	FL440,FAN CVR, TOP MTG	1.000 EA
807500075A	MTR BRACE, BLOWER, FL440, TEBC	1.000 EA
807500075B	FL440,BLWR MOTOR BRACE	1.000 EA
807500076A	FL440,FAN CVR GRILL	1.000 EA
000640000P	TAG WINDING THERMOST	1.000 EA
004824007K	SPECIAL PAINT	0.300 EA
034180056LA	KEY 1X1X7 L	1.000 EA
036000025NF	SCREW, HEX M16 BRASS	2.000 EA
417744143G	PACKAGING (PHANTOM)	1.000 EA

REL S.O.	-	VOLTS	460	ENCLOSURE	TEBC	WYE	CONN EQ	CKT OHMS	PER PHASE
FRAME	FL4451	AMPS	591	MAX SAFE RPM	2800	(AT BASE RATING, 25 °C)			
HP	500	DUTY	CONT	IM (AMPS)	183	R1	.00249	X1	.0452
BASE SPEED	1790	S.F.	1.0	P.F. @NL/FL	.035/.835	R2	.00218	X2	.0834
PHASE/HERTZ	3/90	AMB °C/INSUL	40/H	WK ² (lb-ft ²)	189			XM	1.30


RATED FULL LOAD DATA

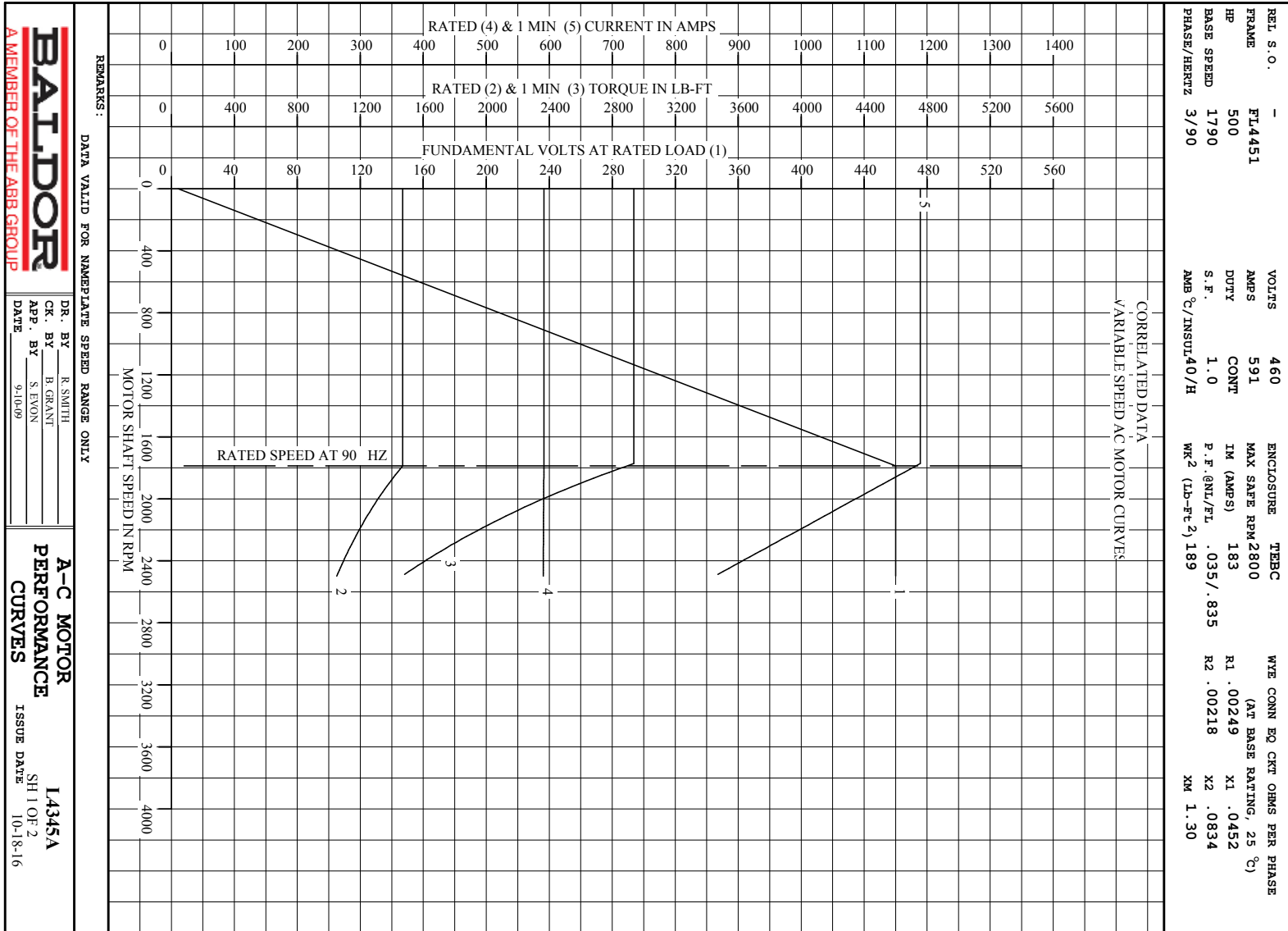
	RPM	HP	TORQUE LB-FT	FUND VOLTS	FREQ-HZ	AMPS
BASE SPEED	1788	500	1469	460	90	592
MAX SPEED	2498	500	1051	460	125.8	590
MIN SPEED	0	0	1469	4.36	.6009	592

LOAD PERFORMANCE AT BASE SPEED

	RPM	HP	TORQUE LB-FT	FUND VOLTS	FREQ-HZ	AMPS
NO LOAD	1800	0	0	460	90	183
1/4	1797	125	366	460	90	244
1/2	1794	250	733	460	90	339
3/4	1791	375	1099	460	90	460
FULL LOAD	1788	500	1469	460	90	592
O/L	1772	992	2938	460	90	1189

REMARKS : CORRELATED DATA

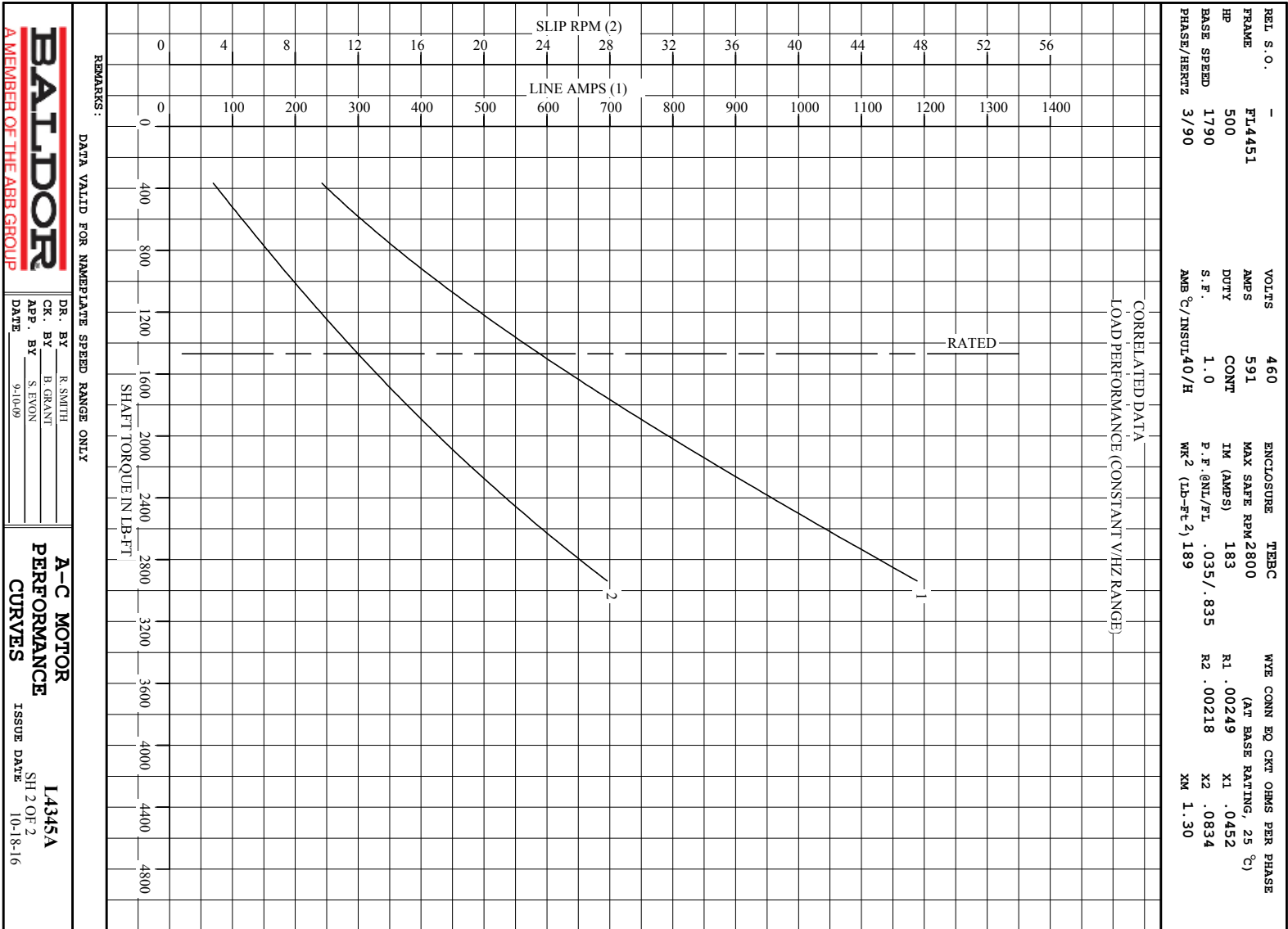
 <p>A MEMBER OF THE ABB GROUP</p>	DR. BY	R. SMITH	<p>A-C MOTOR PERFORMANCE DATA</p> <p>ISSUE DATE 10-18-16</p>
	CR. BY	B. GRANT	
	APP. BY	S. EVON	
	DATE	9-10-09	



BALDOR
A MEMBER OF THE ABB GROUP

DR. BY R SMITH
CR. BY B GRANT
APP. BY S EVON
DATE 9-10-09

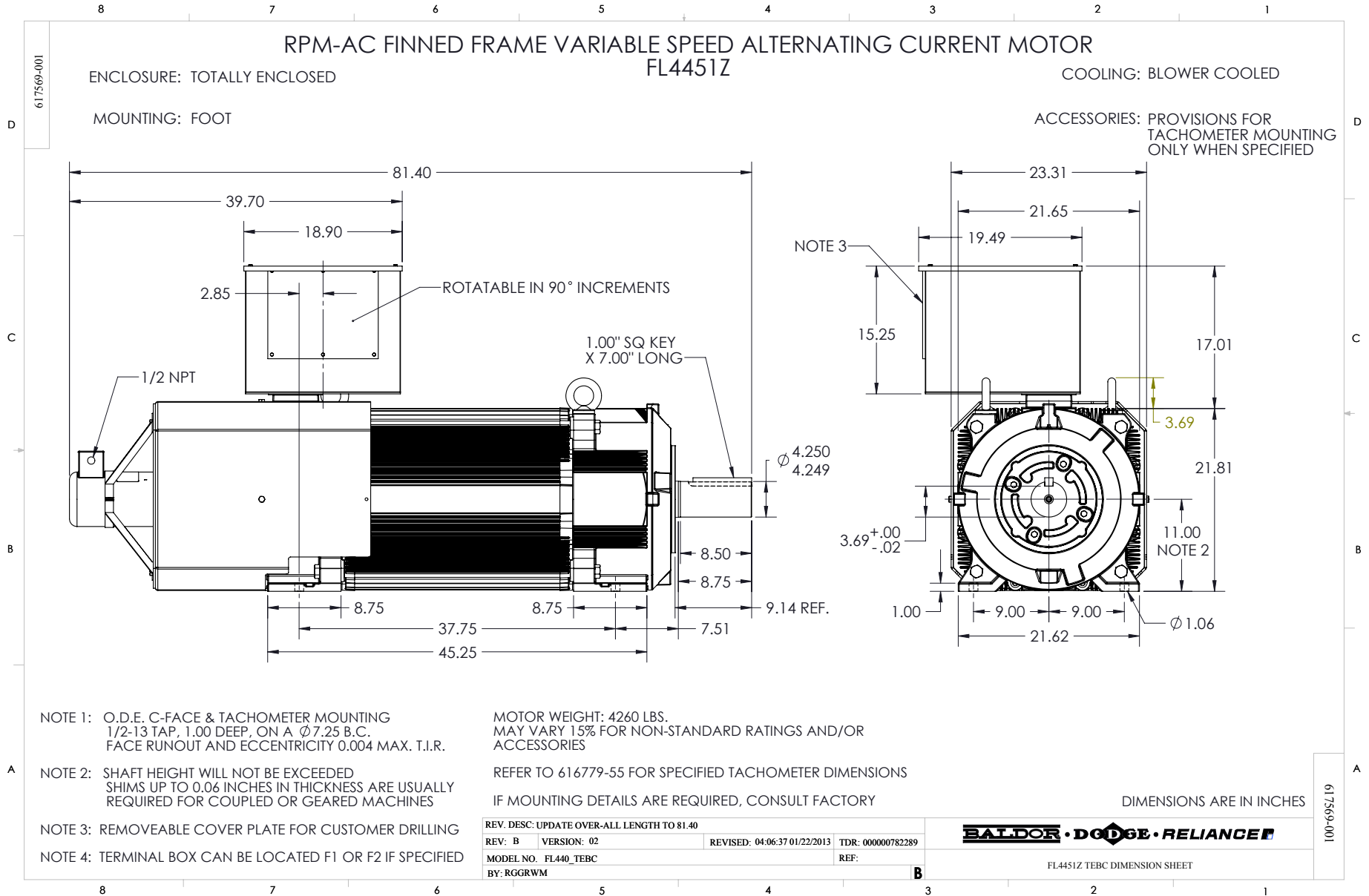
A-C MOTOR
PERFORMANCE
CURVES
ISSUE DATE 10-18-16
I4345A
SH 1 OF 2



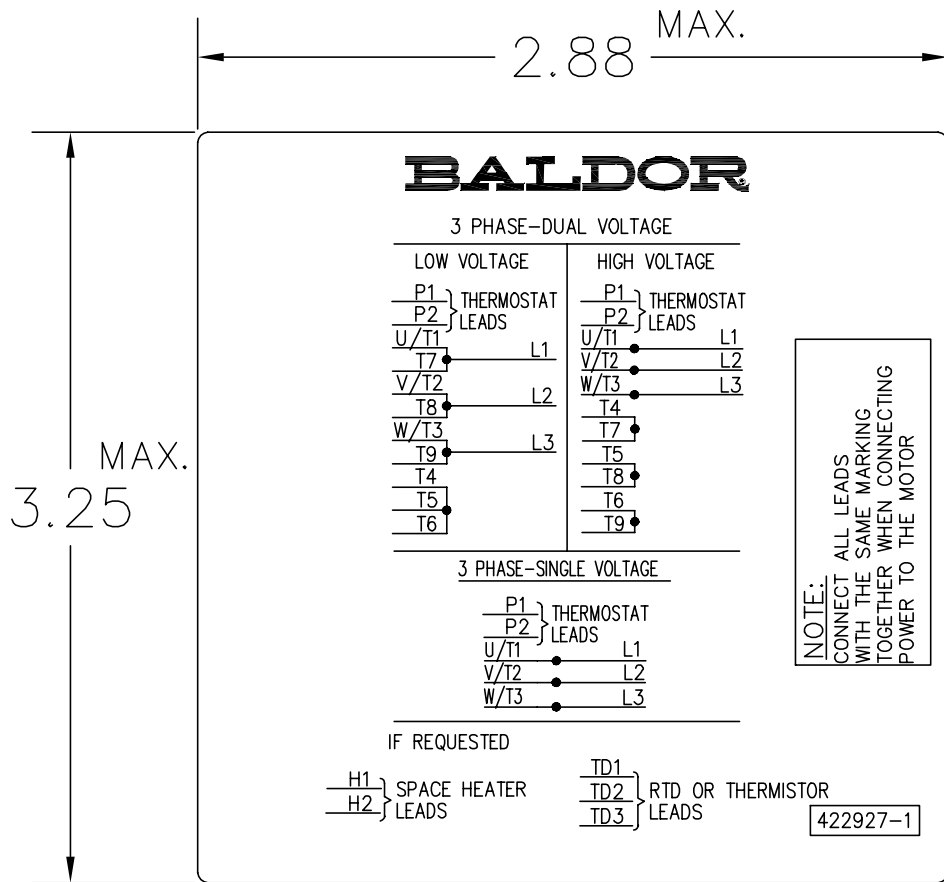
BALDOR
A MEMBER OF THE ABB GROUP

DR. BY R SMITH
CR. BY B GRANT
APP. BY S EVON
DATE 9-10-09

A-C MOTOR
PERFORMANCE
CURVES
I4345A
SH 2 OF 2
ISSUE DATE 10-18-16



422927-001



NOTE:
DATA TO BE SIZED
SO THAT IT FITS INTO
MATERIAL DECAL
DIMENSIONS. MAKE
LETTERS & NUMBERS
AS LARGE AS POSSIBLE.

MATERIAL: CERAMATIC DGF-P4
PERMA GRIP ADHESIVE

ALL LETTERS, NUMBERS
AND LINES TO BE BLACK
ON WHITE BACKGROUND.

422927-001

REV. DESC: CHANGE BACKGROUND COLOR FROM GOLD TO WHITE		
REV. LTR: B	VERSION: 02	TDR: 000000788708
FILE: \RGG\00000\203	REVISED: 08:09:29 03/04/2013	
MTL: -	BY: RGGWT	

BALDOR

EXTERNAL CONNECTION LABEL

SH 1 of 1

Marketing maintained PDF of MN406:

<http://www.baldor.com/support/Literature/Load.ashx/MN406?ManNumber=MN406>