

BALDOR® • **RELIANCE**

Product Information Packet

M7003A

.33HP, 1140RPM, 3PH, 60HZ, 56, X3513M, XPFC, F1

| Part Detail | | | | | | | |
|-------------|-------|----------------|-------|-------------|----------|---------------|------------|
| Revision: | AJ | Status: | PRD/A | Change #: | | Proprietary: | No |
| Type: | AC | Prod. Type: | 3512M | Elec. Spec: | 35WGZ008 | CD Diagram: | CD0007 |
| Enclosure: | XPFC | Mfg Plant: | | Mech. Spec: | 35E354 | Layout: | 35LYE354 |
| Frame: | 56 | Mounting: | F1 | Poles: | 06 | Created Date: | |
| Base: | RG | Rotation: | R | Insulation: | B | Eff. Date: | 08-29-2016 |
| Leads: | 12#18 | | | | | Replaced By: | |
| Literature: | | Elec. Diagram: | | | | | |

| | |
|-----------------------------|----------------------|
| Nameplate NP0016XPSL | |
| NO. | <input type="text"/> |
| SER. | <input type="text"/> |
| SPEC. | 35E354Z08 |
| CAT.NO. | M7003A |
| HP | .33 |
| VOLTS | 208-230/460 |
| AMPS | 1.7-1.6/.8 |
| RPM | 1140 |
| HZ | 60 |
| SER.F. | 1.00 |
| RATING | 40C AMB-CONT |
| FRAME | 56 |
| USABLE AT 208V | <input type="text"/> |
| BLANK | <input type="text"/> |

| | |
|--------------|----------------------|
| CC | <input type="text"/> |
| T. CODE | T4 |
| PH | 3 |
| CL | B |
| DES | B |
| CODE | K |
| NEMA-NOM-EFF | 70 |
| PF | 57 |

| Parts List | | |
|---------------|--|----------|
| Part Number | Description | Quantity |
| SA023897 | SA 35E354Z08 | 1.000 EA |
| RA019947 | RA 35E354Z08 | 1.000 EA |
| TPMYJ74KX | THERMAL 3PH 0.75 AUT 120C | 1.000 EA |
| 35CB3001A01SP | EXPL CONDUIT BOX, MACH, 1/2" PIPE TAP LE | 1.000 EA |
| 11XW1032G06 | 10-32 X .38, TAPTITE II, HEX WSHR SLTD U | 1.000 EA |
| HW3001B01 | BRASS CUP WASHER, FOR #8 SCREW | 1.000 EA |
| 35EP3700A01SP | FR ENDPLATE, XPFC | 1.000 EA |
| HW5100A03SP | WAVY WASHER (W1543-017) | 1.000 EA |
| 35EP3701A01 | PU ENDPLATE, XPFC - 205 BRG | 1.000 EA |
| XY3118A12 | 5/16-18 HEX NUT DIRECTIONAL SERRATION | 4.000 EA |
| 35FN3002A05 | EXFN, PLASTIC, 6.376 OD, .638 ID | 1.000 EA |
| 51XB1214A16 | 12-14X1.00 HXWSSLD SERTYB | 1.000 EA |
| 51XW1032A06 | 10-32 X .38, TAPTITE II, HEX WSHR SLTD S | 3.000 EA |
| 35CB3500A01SP | CONDUIT BOX LID, MACH | 1.000 EA |
| 51XN2520A16 | SCREW, HEX WS SLT, ZN, 1/4-20 X 1.00 | 4.000 EA |
| HW2501D13 | KEY, 3/16 SQ X 1.375 | 1.000 EA |
| HA7000A04 | KEY RETAINER 0.625 DIA SHAFTS | 1.000 EA |
| 85XU0407S04 | 4X1/4 U DRIVE PIN STAINLESS | 6.000 EA |
| MJ1000A02 | GREASE, POLYREX EM EXXON (USe 4824-15A) | 0.050 LB |
| 35FH4005A01SP | IEC FH NO GREASER W/PRIMED | 1.000 EA |
| MG1025G29 | WILKOFASST, 789.229, DARK CHARCOAL GRAY | 0.017 GA |
| NP0018F | ALUM UL XP CONDUIT BOX NAMEPLATE | 1.000 EA |
| NS2500A06 | INSULATOR,AUTO THER PROT,W/PSA ON 1 SIDE | 1.000 EA |
| HA6001A01 | THERMAL RETAINER (PLATED) | 1.000 EA |

| Parts List (continued) | | |
|-------------------------------|--|-----------------|
| Part Number | Description | Quantity |
| 12XF0632A06 | 6-32X3/8 TY F HEX HD SLT | 2.000 EA |
| HA3104A06 | THRUBOLT 5/16-18 X 8.50 OHIO ROD | 4.000 EA |
| LB1118 | LABEL,WARNING (ROLL LABEL) | 1.000 EA |
| LC0007 | CONNECTION LABEL | 1.000 EA |
| NP0016XPSL | SS XP UL CSA CC CL-I GP-D CL-II GP-F&G | 1.000 EA |
| 36PA1000 | PKG GRP, PRINT PK1016A06 | 1.000 EA |
| MN416A01 | TAG-INSTAL-MAINT no wire (1200/bx) 11/14 | 1.000 EA |

AC Induction Motor Performance Data
Record # 10398 - Typical performance - not guaranteed values

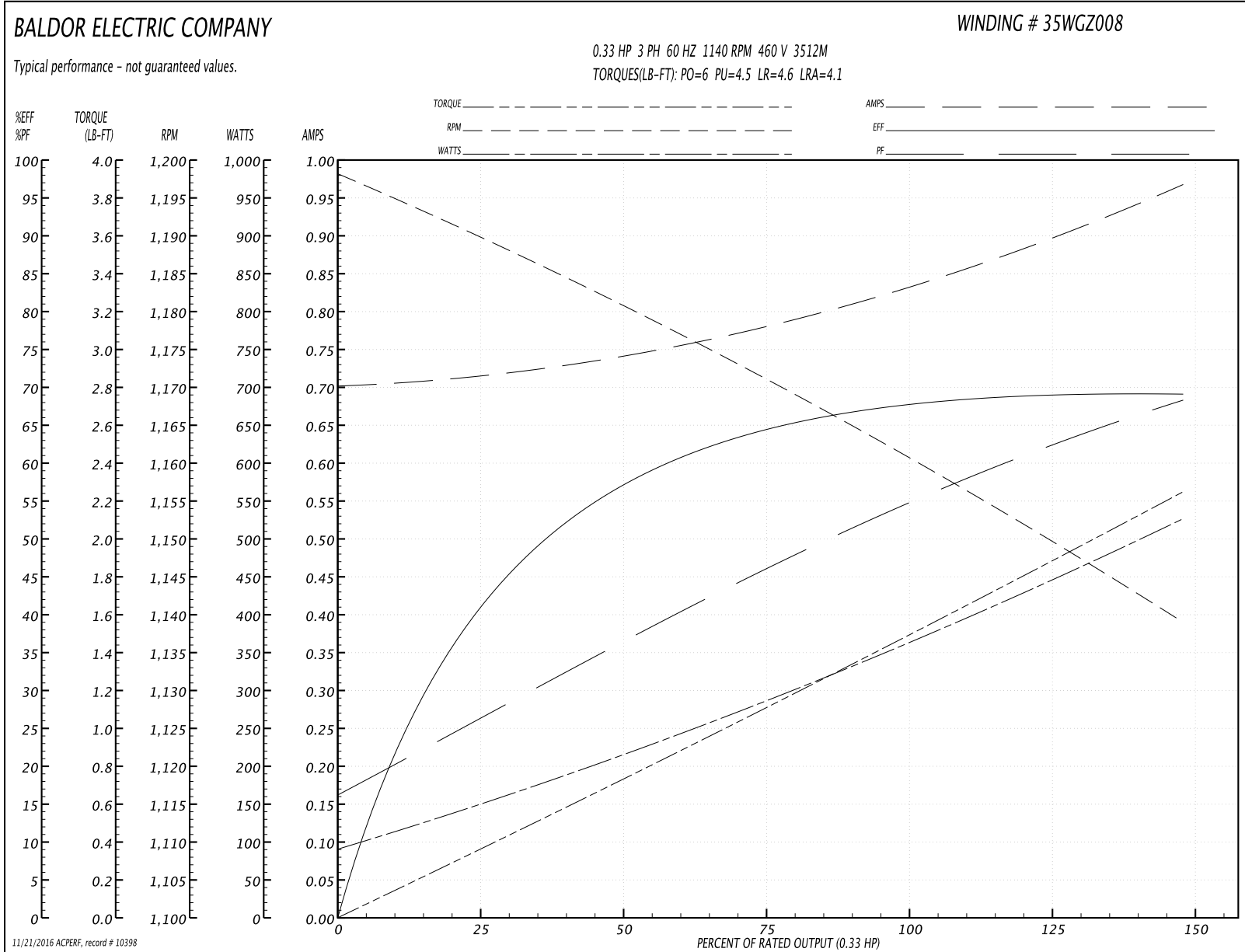
| | | |
|-------------------------------|--------------------|------------------------|
| Winding: 35WGZ008-R002 | Type: 3512M | Enclosure: XPFC |
|-------------------------------|--------------------|------------------------|

| Nameplate Data | | | | 460 V, 60 Hz: High Voltage Connection | |
|-----------------------|--------------|--------------|----|--|---------------------------|
| Rated Output (HP) | .33 | | | Full Load Torque | 1.5 LB-FT |
| Volts | 208-230/460 | | | Start Configuration | direct on line |
| Full Load Amps | 1.7-1.6/.8 | | | Breakdown Torque | 6 LB-FT |
| R.P.M. | 1140 | | | Pull-up Torque | 4.5 LB-FT |
| Hz | 60 | Phase | 3 | Locked-rotor Torque | 4.6 LB-FT |
| NEMA Design Code | B | KVA Code | K | Starting Current | 4.1 A |
| Service Factor (S.F.) | 1 | | | No-load Current | 0.7 A |
| NEMA Nom. Eff. | 70 | Power Factor | 57 | Line-line Res. @ 25°C | 56.6 Ω |
| Rating - Duty | 40C AMB-CONT | | | Temp. Rise @ Rated Load | 32°C |
| | | | | Locked-rotor Power Factor | 72.4 |
| | | | | Rotor inertia | 0.0712 LB-FT ² |

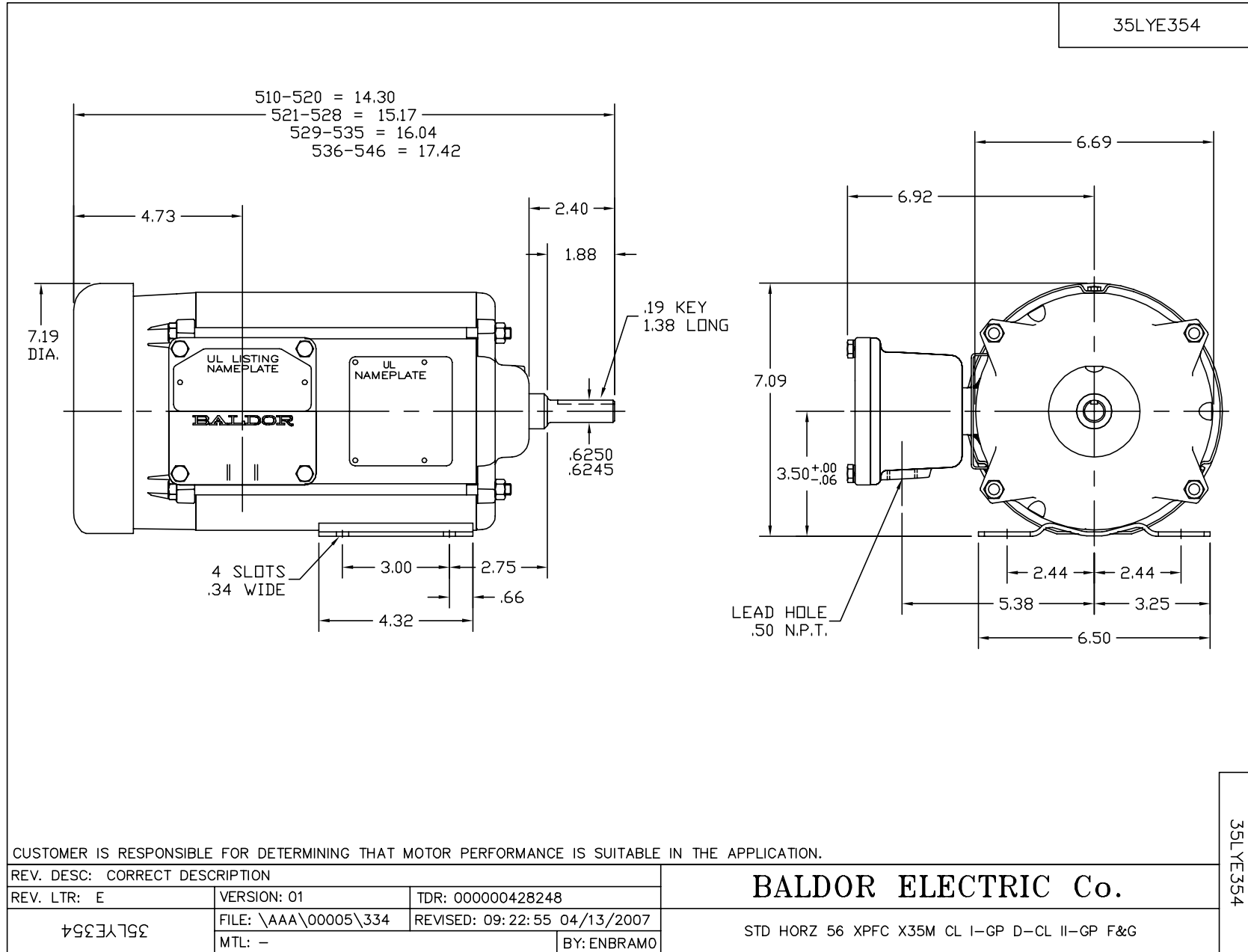
Load Characteristics 460 V, 60 Hz, 0.33 HP

| % of Rated Load | 25 | 50 | 75 | 100 | 125 | 150 |
|-----------------|------|------|------|------|------|------|
| Power Factor | 27 | 37 | 47 | 54 | 63 | 68 |
| Efficiency | 40.9 | 58 | 64.4 | 68.1 | 69.2 | 69 |
| Speed | 1190 | 1180 | 1171 | 1160 | 1150 | 1139 |
| Line amperes | 0.72 | 0.74 | 0.78 | 0.84 | 0.89 | 0.97 |

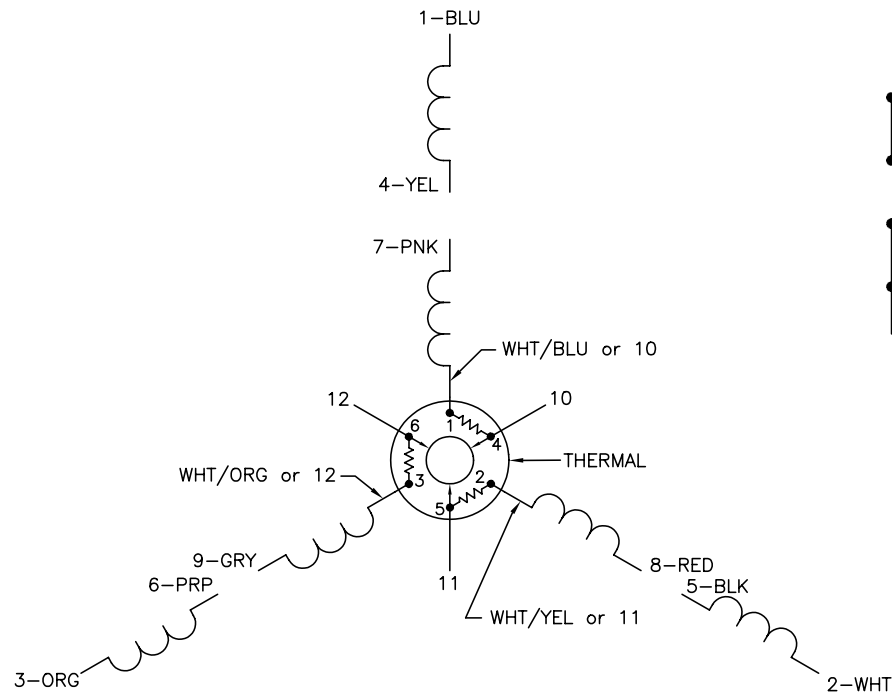
Performance Graph at 460V, 60Hz, 0.33HP Typical performance - Not guaranteed values



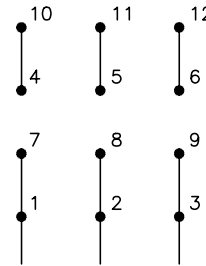
11/21/2016 ACPERF: record # 10398



CD0007

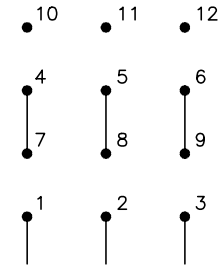


LOW VOLTAGE
(2Y)



LINE

HIGH VOLTAGE
(1Y)



LINE

NOTES:

1. INTERCHANGE ANY TWO LINE LEADS TO REVERSE ROTATION.
2. ACTUAL NUMBER OF INTERNAL PARALLEL CIRCUITS MAY VARY.
3. LEAD COLORS ARE OPTIONAL. LEADS MUST ALWAYS BE NUMBERED AS SHOWN.

| | | | |
|----------------------------------|---------|------------------------|--------------|
| REV. DESC: ADDED "CK" PLANT CODE | | | |
| REV. LTR: E | BY: EAH | REVISED: 05/06/99 17:1 | TDR: 0181040 |
| L00000 | | FILE: AAA00008370 | MDL: - |
| | | MTL: - | |

BALDOR ELECTRIC Co.

3PH, DV, THERMAL, 12 LEADS

CD0007