

BALDOR® • ***RELIANCE***

Product Information Packet

VBL3507

.75HP,1725RPM,1PH,60HZ,56C,BRAKE,3428LC

| Part Detail | | | | | | | |
|-------------|------|----------------|--------|-------------|----------|---------------|------------|
| Revision: | X | Status: | PRD/A | Change #: | | Proprietary: | No |
| Type: | AC | Prod. Type: | 3428LC | Elec. Spec: | 34WGY094 | CD Diagram: | CD0055 |
| Enclosure: | TEFC | Mfg Plant: | | Mech. Spec: | 34G457 | Layout: | 34LYG457 |
| Frame: | 56C | Mounting: | F1 | Poles: | 04 | Created Date: | |
| Base: | N | Rotation: | R | Insulation: | F | Eff. Date: | 08-26-2015 |
| Leads: | 6#18 | | | | | Replaced By: | |
| Literature: | | Elec. Diagram: | | | | | |

| Nameplate NP1256L | | | | | | | | | | |
|-------------------|--------------|--|------|----|-----|------|--|----------------|-----|---|
| CAT.NO. | VBL3507 | | | | | | | | | |
| SPEC. | 34G457Y094-C | | | | | | | | | |
| HP | .75 | | | | | | | | | |
| VOLTS | 115/230 | | | | | | | | | |
| AMP | 8.4/4.2 | | | | | | | | | |
| RPM | 1725 | | | | | | | | | |
| FRAME | 56C | | | | HZ | 60 | | | PH | 1 |
| SER.F. | 1.25 | | CODE | J | DES | N | | CLASS | F | |
| NEMA-NOM-EFF | 72 | | PF | 78 | | | | | | |
| RATING | 40C AMB-CONT | | | | | | | | | |
| CC | | | | | | | | USABLE AT 208V | 5.4 | |
| DE | 6203 | | | | ODE | 6203 | | | | |
| ENCL | TEFC | | SN | | | | | | | |
| | SFA 10/5 | | | | | | | | | |

| Parts List | | |
|---------------|--|----------|
| Part Number | Description | Quantity |
| SA079727 | SA 34G457Y094-C | 1.000 EA |
| RA073152 | RA 34G457Y094-C | 1.000 EA |
| OC3020F12 | CYL OIL CAP 20MFD/370V | 1.000 EA |
| EC1270A02SP | ELEC CAP, 270-324 MFD, 125V, 1.48D X 3. | 1.000 EA |
| NS2512A01 | INSULATOR, CONDUIT BOX X | 1.000 EA |
| 34CB3002A | CB CAST W/.88 DIA HOLE | 1.000 EA |
| 34GS1029A01 | GASKET, CONDUIT BOX | 1.000 EA |
| 51XB1016A07 | 10-16 X 7/16 HXWSSLD SERTYB | 2.000 EA |
| 11XW1032G06 | 10-32 X .38, TAPTITE II, HEX WSHR SLTD U | 1.000 EA |
| 34EP3900T09 | FR ENDPLATE, MACH | 1.000 EA |
| HA2001A01 | SPACER, .218 ID X .250 LG | 2.000 EA |
| 11XT0832A12 | 8-32 X 3/4 HX WSHD SLTD, TY23 | 2.000 EA |
| 34CB3801 | CAPACITOR BOX, DIE CAST | 1.000 EA |
| 34GS3002 | GASKET, CAPACITOR BOX | 1.000 EA |
| 51XB1214A08 | 12-14 X 1/2HX WS SL SR TYBX | 2.000 EA |
| WD1000A03 | 41531 AMP FLG.TERM,4M/REEL(2.5MIL) | 3.000 EA |
| HW5100A03SP | WAVY WASHER (W1543-017) | 1.000 EA |
| 34EP3300A24SP | PU ENDPLATE, MACH | 1.000 EA |
| 51XN1032A20 | 10-32 X 1 1/4 HX WS SL SR | 2.000 EA |
| 34FN3002A03 | EXTERNAL FAN, PLASTIC, .500 HUB I.D. W/5 | 1.000 EA |
| HW2500A13 | KEY, USA #605, WOODRUFF | 1.000 EA |
| 34FH4002A05 | IEC FH W/DEEPER DIMPLES FOR BRAKE COVER, | 1.000 EA |
| 51XW1032A06 | 10-32 X .38, TAPTITE II, HEX WSHR SLTD S | 3.000 EA |
| 34CB4517 | CB LID 4 MTG HOLES .22 DIA STAMPED, FOR | 1.000 EA |

| Parts List (continued) | | |
|------------------------|--|----------|
| Part Number | Description | Quantity |
| 34GS1031A01 | GASKET, FLAT CONDUIT BOX LID (LEXIDE) | 1.000 EA |
| 51XW0832A07 | 8-32 X .44, TAPTITE II, HEX WSHR SLTD SE | 4.000 EA |
| HW2501D13 | KEY, 3/16 SQ X 1.375 | 1.000 EA |
| HA7000A04 | KEY RETAINER 0.625 DIA SHAFTS | 1.000 EA |
| MG1000G27 | MED CHARCOAL METALLIC GREY 400-0096 | 0.014 GA |
| 10XF0440S02 | 04-40 X 1/8 TYPE F HEX HD STAINLESS STIC | 2.000 EA |
| LB1185 | LABEL,BRAKE CONNECTION (ON ROLLS) | 1.000 EA |
| SP5051B17 | MDL 34 TORQ STAT SW,TYPE LC, STD F1 & F2 | 1.000 EA |
| HA3100A45 | THRUBOLT 10-32 X 8.875 | 4.000 EA |
| 48BK7101BP-D | DRILL BRAKE COVER | 1.000 EA |
| WD4006C05 | ORANGE, WIRENUT, G-B #13-003 ORGSIZE 73B | 2.000 EA |
| LC0001A01 | CONN LABEL / WARNING LABEL (LC0001 / LB1 | 1.000 EA |
| NP1256L | ALUM UL CSA CC | 1.000 EA |
| 35PA1007 | PKG GRP, PRINT PK1034A06 | 1.000 EA |
| MN416A01 | TAG-INSTAL-MAINT no wire (1200/bx) 11/14 | 1.000 EA |
| PK3083T | STYROFOAM PACKING CRADLE W/TAPE | 1.000 EA |

AC Induction Motor Performance Data
Record # 7788 - Typical performance - not guaranteed values

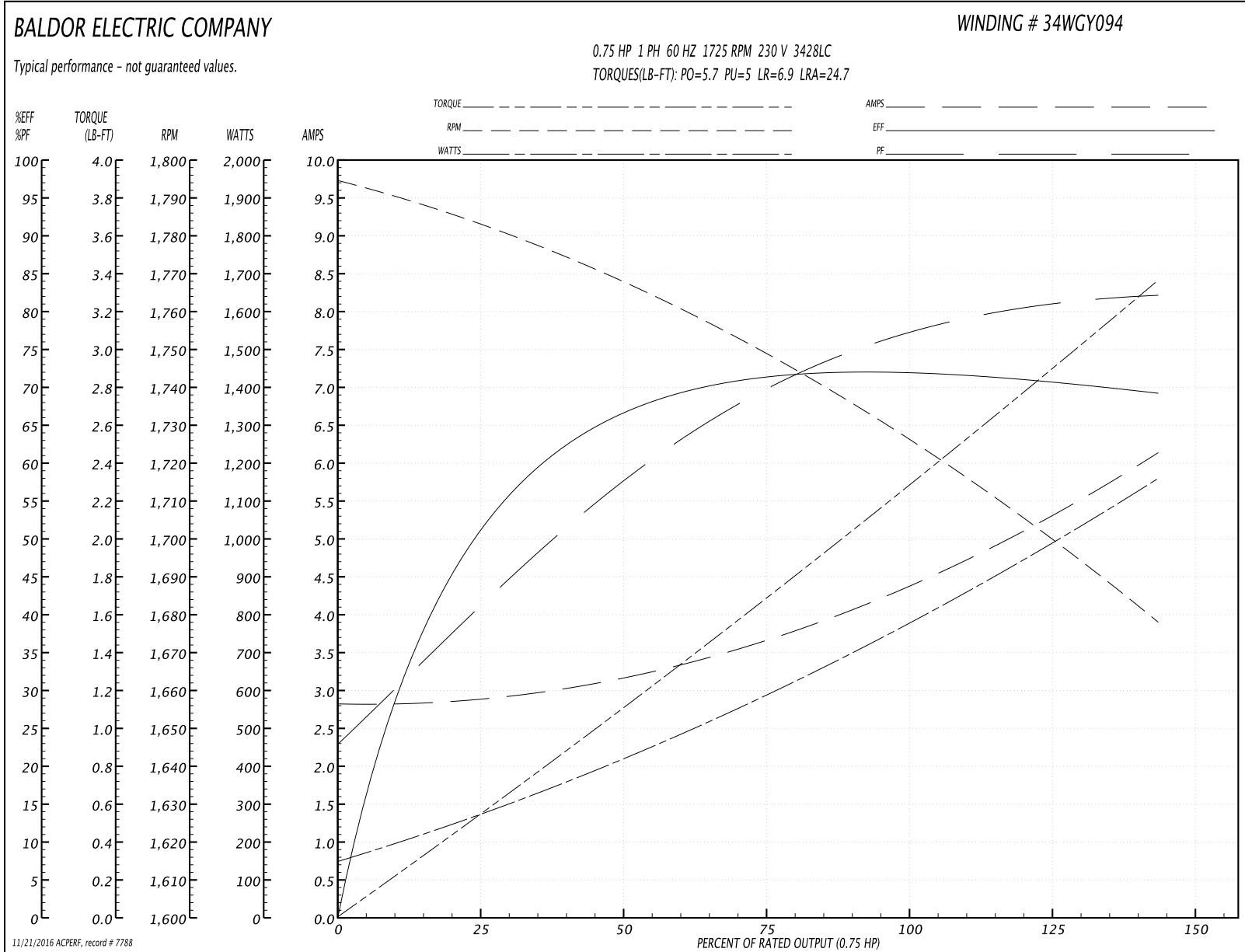
| | | |
|-------------------------------|---------------------|------------------------|
| Winding: 34WGY094-R001 | Type: 3428LC | Enclosure: TEFC |
|-------------------------------|---------------------|------------------------|

| Nameplate Data | | | | 230 V, 60 Hz: High Voltage Connection | |
|-----------------------|--------------|--------------|----|--|----------------------------|
| Rated Output (HP) | .75 | | | Full Load Torque | 2.25 LB-FT |
| Volts | 115/230 | | | Start Configuration | direct on line |
| Full Load Amps | 8.4/4.2 | | | Breakdown Torque | 5.7 LB-FT |
| R.P.M. | 1725 | | | Pull-up Torque | 5 LB-FT |
| Hz | 60 | Phase | 1 | Locked-rotor Torque | 6.9 LB-FT |
| NEMA Design Code | N | KVA Code | J | Starting Current | 24.7 A |
| Service Factor (S.F.) | 1.25 | | | No-load Current | 2.8 A |
| NEMA Nom. Eff. | 72 | Power Factor | 78 | Line-line Res. @ 25°C | 3.22 Ω A Ph 1.76 Ω B Ph |
| Rating - Duty | 40C AMB-CONT | | | Temp. Rise @ Rated Load | 71°C |
| S.F. Amps | 10/5 | | | Temp. Rise @ S.F. Load | 89°C |

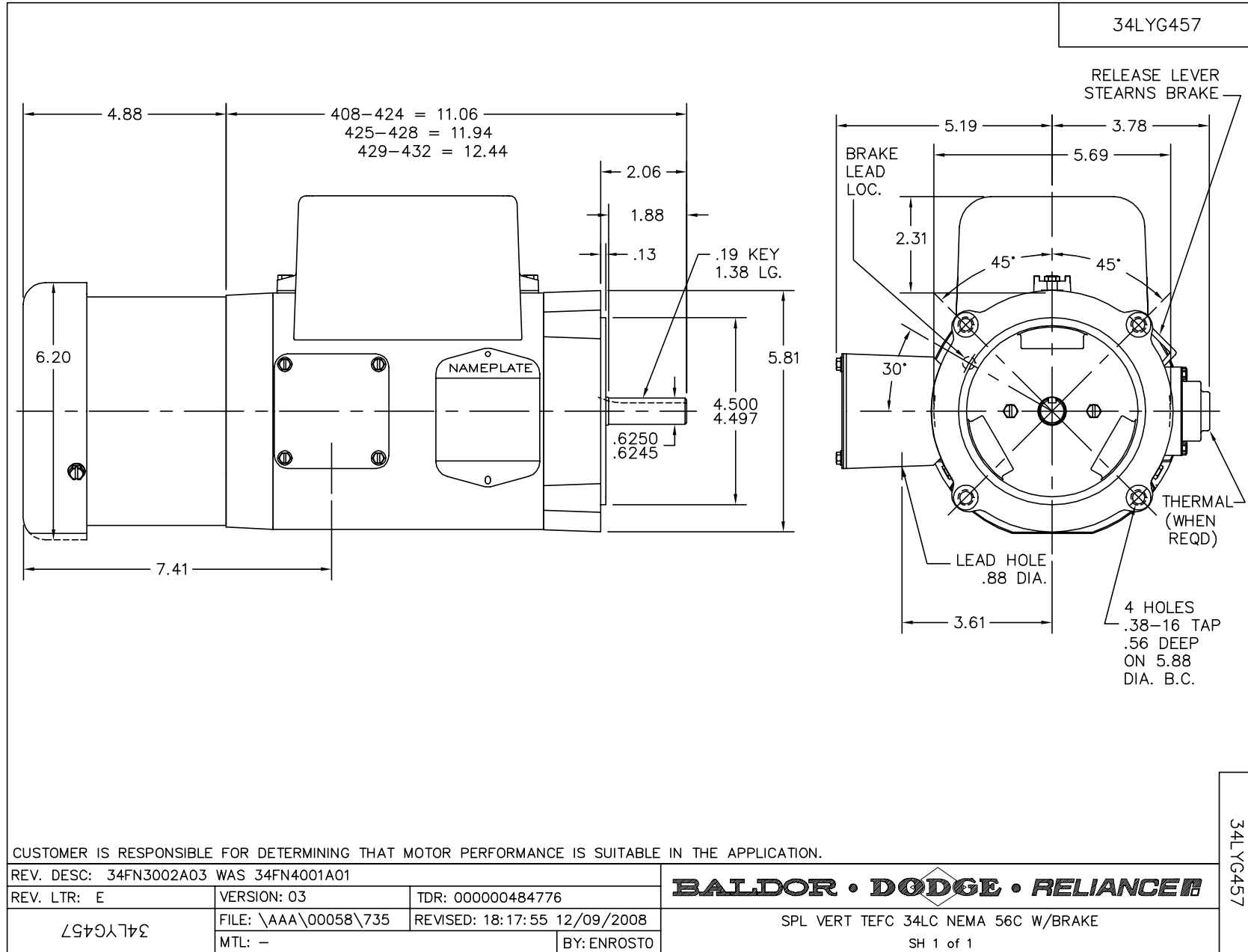
Load Characteristics 230 V, 60 Hz, 0.75 HP

| % of Rated Load | 25 | 50 | 75 | 100 | 125 | 150 | S.F. |
|-----------------|------|------|------|------|------|------|------|
| Power Factor | 43 | 57 | 70 | 78 | 82 | 86 | 82 |
| Efficiency | 50.2 | 66.1 | 71.1 | 72.3 | 72 | 68.6 | 72 |
| Speed | 1780 | 1766 | 1749 | 1729 | 1707 | 1675 | 1707 |
| Line amperes | 2.9 | 3.2 | 3.7 | 4.3 | 5.1 | 6.2 | 5.1 |

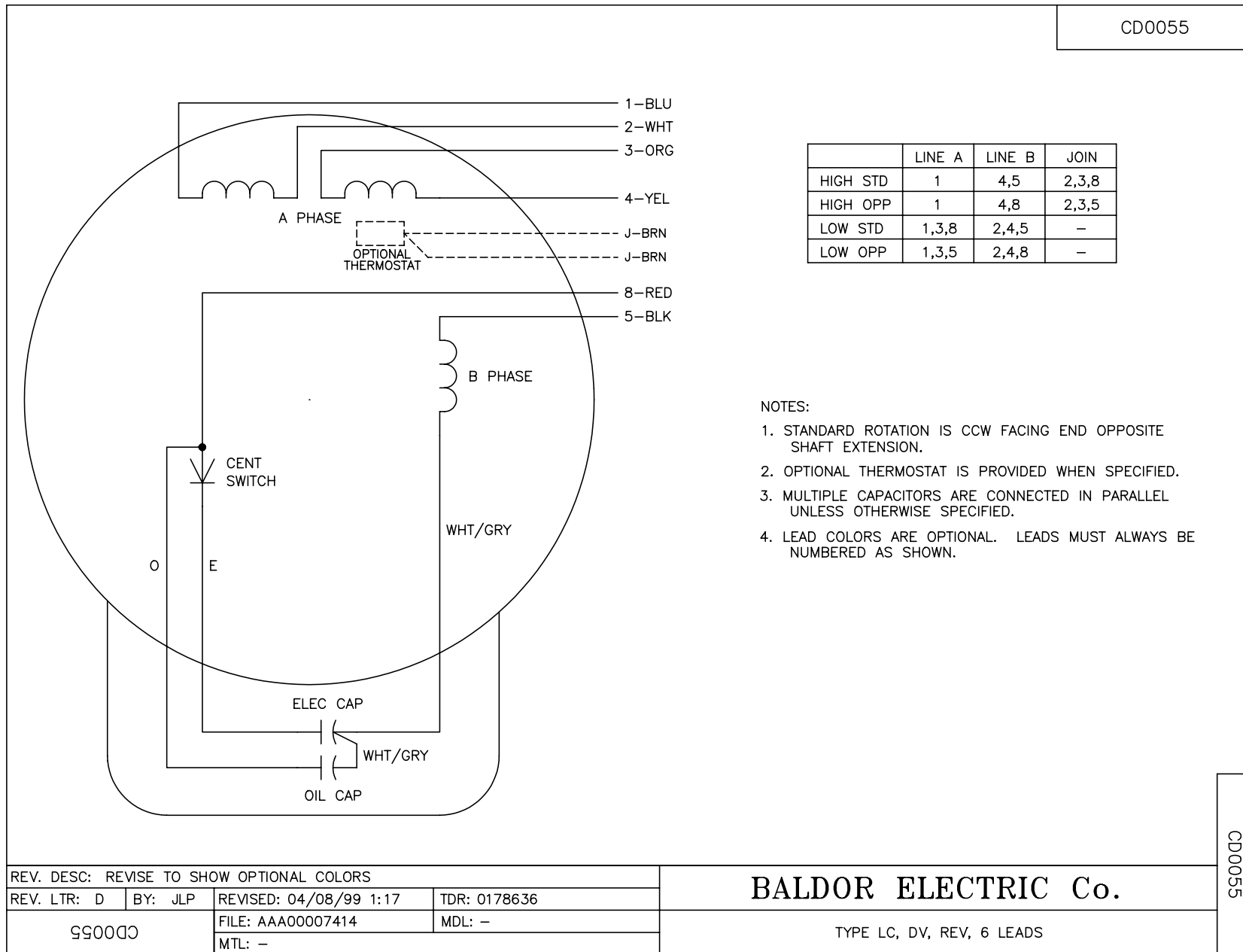
Performance Graph at 230V, 60Hz, 0.75HP Typical performance - Not guaranteed values



11/21/2016 ACPERF: record # 7788



CD0055



| | | | |
|---|---------|------------------------|--------------|
| REV. DESC: REVISE TO SHOW OPTIONAL COLORS | | | |
| REV. LTR: D | BY: JLP | REVISED: 04/08/99 1:17 | TDR: 0178636 |
| 990000 | | FILE: AAA00007414 | MDL: - |
| | | MTL: - | |

BALDOR ELECTRIC Co.

TYPE LC, DV, REV, 6 LEADS

CD0055