

BALDOR® • ***RELIANCE***

Product Information Packet

VEUHM3538

.5HP, 1735RPM, 3PH, 60HZ, 56C, 3513M, TEFC, F3

Part Detail							
Revision:	J	Status:	PRD/A	Change #:		Proprietary:	No
Type:	AC	Prod. Type:	3514M	Elec. Spec:	35WGP862	CD Diagram:	CD0005
Enclosure:	TEFC	Mfg Plant:		Mech. Spec:	35X042	Layout:	35LYX042
Frame:	56C	Mounting:	F3	Poles:	04	Created Date:	11-23-2010
Base:	N	Rotation:	R	Insulation:	F	Eff. Date:	09-15-2016
Leads:	9#18					Replaced By:	
Literature:		Elec. Diagram:					

Nameplate NP2136L											
CAT.NO.	VEUHM3538										
SPEC.	35X042P862G1										
HP	.5										
VOLTS	208-230/460										
AMP	1.7-1.6/.8										
RPM	1735										
FRAME	56C				HZ	60			PH	3	
SER.F.	1.15				CODE	K		DES	B	CL	F
NEMA-NOM-EFF	82.5				PF	74					
RATING	40C AMB-CONT										
CC								USABLE AT 208V	1.7		
DE	6205				ODE	6203					
ENCL	TEFC				SN						
	IP44										

Parts List		
Part Number	Description	Quantity
SA212724	SA 35X042P862G1	1.000 EA
RA199953	RA 35X042P862G1	1.000 EA
34FN3002B01	EXTERNAL FAN, PLASTIC, .637/.639 HUB W/	1.000 EA
NS2512A01	INSULATOR, CONDUIT BOX X	1.000 EA
35CB4007	KOBX,W/PRIMER (REL# 79097-49-C)	1.000 EA
35GS3009	GASKET, KOBX 35CB4006 (411881-15A)	1.000 EA
WD4101A13	STEEL CAPLUG,BP-1 1/8, PLUG D3561S	1.000 EA
51XB1016A05	10-16X5/16HX WA SL SR TYB (F/S)	2.000 EA
11XW1032G06	10-32 X .38, TAPTITE II, HEX WSHR SLTD U	1.000 EA
HW3001B01	BRASS CUP WASHER, FOR #8 SCREW	1.000 EA
35EP3100M02	FREP TEFC 203 BRG W/O GR SR (RAISED FH MT	1.000 EA
HW5100A03SP	WAVY WASHER (W1543-017)	1.000 EA
35EP3300A33	SPL FACE MTD EP -ENCL-205 BRG	1.000 EA
51XN1032A20	10-32 X 1 1/4 HX WS SL SR	2.000 EA
51XB1214A16	12-14X1.00 HXWSSLD SERTYB	1.000 EA
35FH4005A32SP	IEC FH NO GR SR W/3 HOLES - PRIMED	1.000 EA
51XW1032A06	10-32 X .38, TAPTITE II, HEX WSHR SLTD S	3.000 EA
35CB4519	CB LID RAW & UNPRIMED, REL# 79097-50-B	1.000 EA
35GS3019	GASKET, FOR KOBX LID 35CB4519	1.000 EA
51XW0832A07	8-32 X .44, TAPTITE II, HEX WSHR SLTD SE	4.000 EA
HW2501D13	KEY, 3/16 SQ X 1.375	1.000 EA
HA7000A04	KEY RETAINER 0.625 DIA SHAFTS	1.000 EA
85XU0407S04	4X1/4 U DRIVE PIN STAINLESS	2.000 EA
MJ1000A02	GREASE, POLYREX EM EXXON (USe 4824-15A)	0.050 LB

Parts List (continued)		
Part Number	Description	Quantity
MG1000N49	MUNSELL 8.5BG 3.57/2.0, GLOSS 30, B/G,	0.017 GA
HA3100A15	THRUBOLT 10-32 X 8.375	4.000 EA
LB1119N	WARNING LABEL	1.000 EA
LC0005	CONN.DIA.,TY M,9-LD,DUAL VOLT,REVERSING	1.000 EA
MN416A01	TAG-INSTAL-MAINT no wire (1200/bx) 11/14	1.000 EA
NP2136L	ALUM SUPER-E UL CSA CE CC	1.000 EA
36PA1000	PKG GRP, PRINT PK1016A06	1.000 EA
PK3082	STYROFOAM CRADLE	1.000 EA

AC Induction Motor Performance Data

Record # 33315 - Typical performance - not guaranteed values

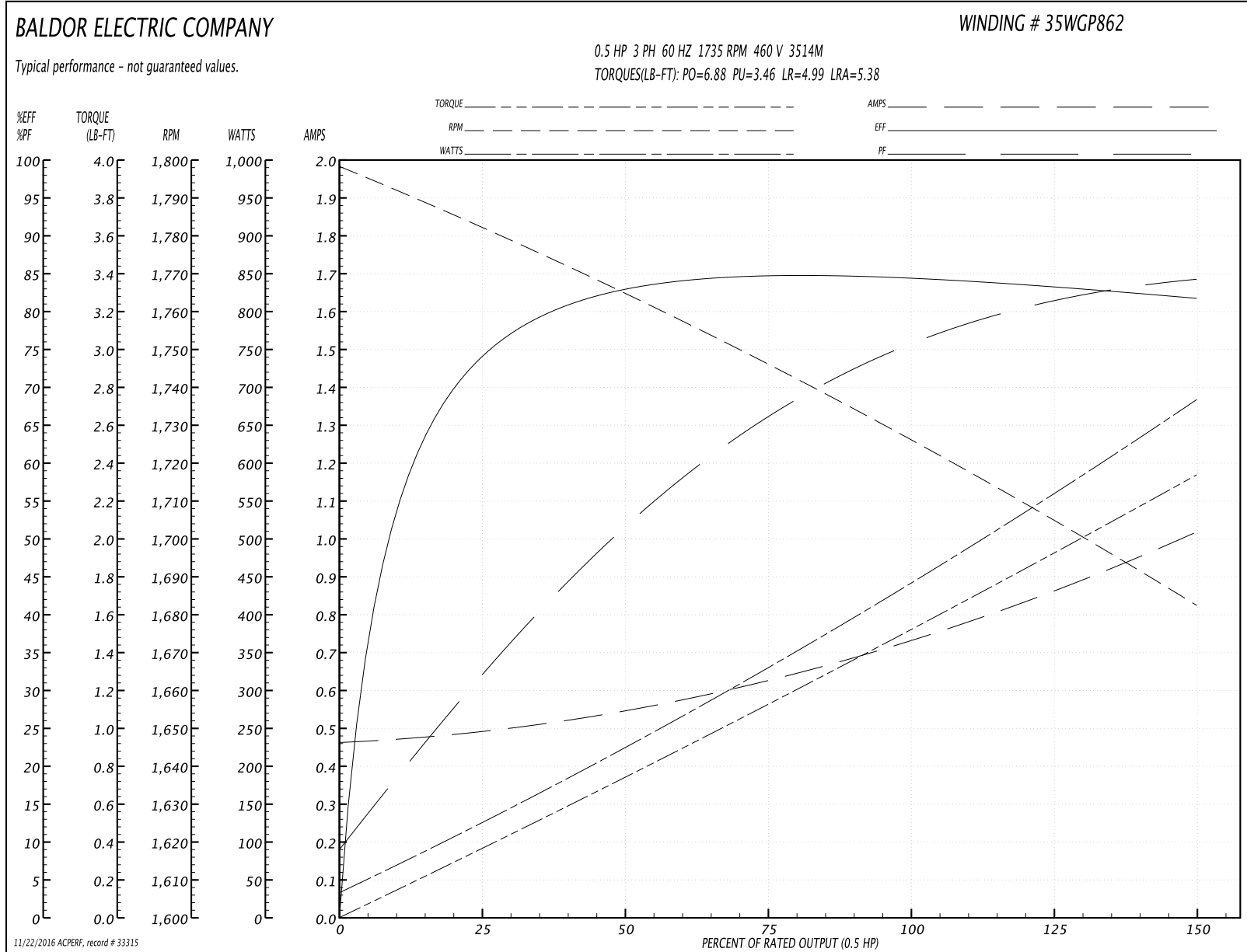
Winding: 35WGP862-R002	Type: 3514M	Enclosure: TEFC
-------------------------------	--------------------	------------------------

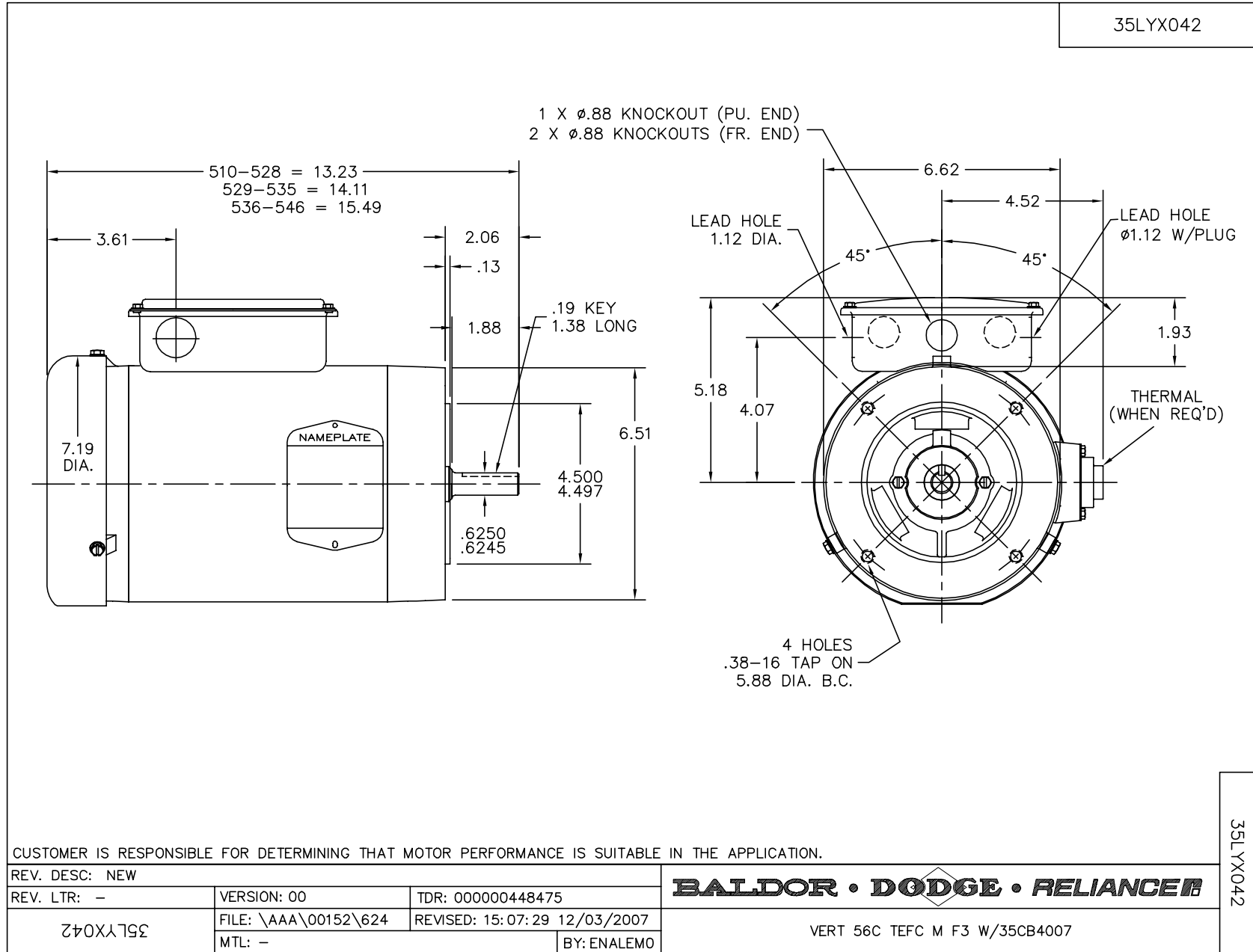
Nameplate Data				460 V, 60 Hz: High Voltage Connection	
Rated Output (HP)	.5			Full Load Torque	1.53 LB-FT
Volts	208-230/460			Start Configuration	direct on line
Full Load Amps	1.7-1.6/.8			Breakdown Torque	6.88 LB-FT
R.P.M.	1735			Pull-up Torque	3.46 LB-FT
Hz	60	Phase	3	Locked-rotor Torque	4.99 LB-FT
NEMA Design Code	B	KVA Code	K	Starting Current	5.38 A
Service Factor (S.F.)	1.15			No-load Current	0.465 A
NEMA Nom. Eff.	82.5	Power Factor	74	Line-line Res. @ 25°C	35.3 Ω
Rating - Duty	40C AMB-CONT			Temp. Rise @ Rated Load	52°C
S.F. Amps				Temp. Rise @ S.F. Load	62°C
				Locked-rotor Power Factor	67.6
				Rotor inertia	0.0827 LB-FT ²

Load Characteristics 460 V, 60 Hz, 0.5 HP

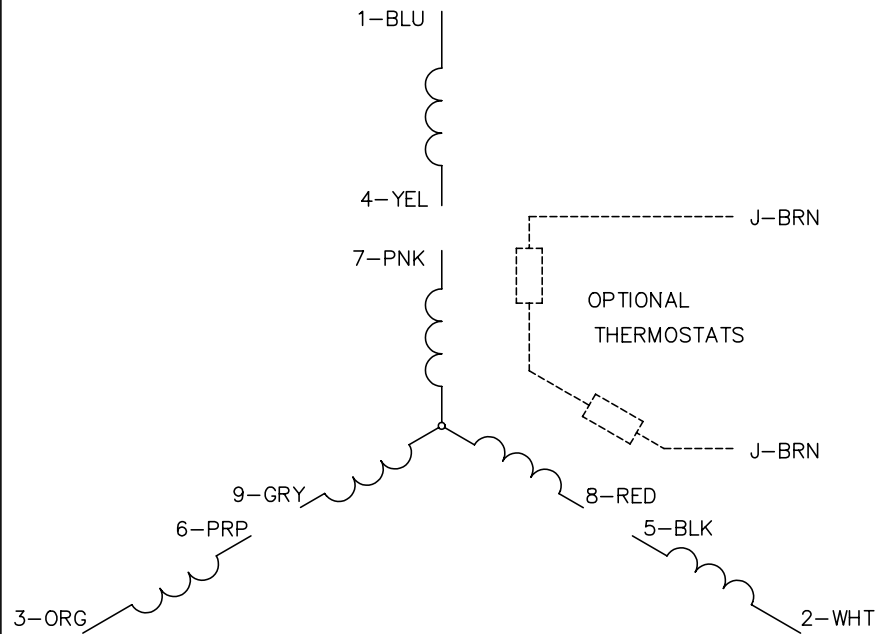
% of Rated Load	25	50	75	100	125	150	S.F.
Power Factor	33	52	66	76	82	84	80
Efficiency	74.3	82.7	84.7	84.5	83.5	81.6	81.5
Speed	1781	1764	1746	1726	1705	1682	1718
Line amperes	0.489	0.545	0.634	0.737	0.86	1.02	0.899

Performance Graph at 460V, 60Hz, 0.5HP Typical performance - Not guaranteed values





CD0005



LOW VOLTAGE
(2Y)



LINE

HIGH VOLTAGE
(1Y)



LINE

NOTES:

1. INTERCHANGE ANY TWO LINE LEADS TO REVERSE ROTATION.
2. OPTIONAL THERMOSTATS ARE PROVIDED WHEN SPECIFIED.
3. ACTUAL NUMBER OF INTERNAL PARALLEL CIRCUITS MAY BE A MULTIPLE OF THOSE SHOWN ABOVE.
4. LEAD COLORS ARE OPTIONAL. LEADS MUST ALWAYS BE NUMBERED AS SHOWN.

REV. DESC: REVISE TO SHOW OPTIONAL COLORS			
REV. LTR: E	BY: JLP	REVISED: 01/19/99 10:15	TDR: 0171435
9000D		FILE: AAA00005140	MDL: -
		MTL: -	

BALDOR ELECTRIC Co.

3PH, DV, 9 LEADS

CD0005