

# **BALDOR**® • ***RELIANCE***

## **Product Information Packet**

# **VP7424D**

**MTR. J28AA 180V DC 1800 RPM CAT# VP7424**

Part Detail							
Revision:	N	Status:	PRD/A	Change #:		Proprietary:	No
Type:		Prod. Type:		Elec. Spec:		CD Diagram:	
Enclosure:	TENV	Mfg Plant:		Mech. Spec:		Layout:	24508A
Frame:	D63D	Mounting:		Poles:		Created Date:	
Base:		Rotation:	R	Insulation:		Eff. Date:	01-07-2013
Field Type:		Literature:		Elec. Diagram:		Replaced By:	

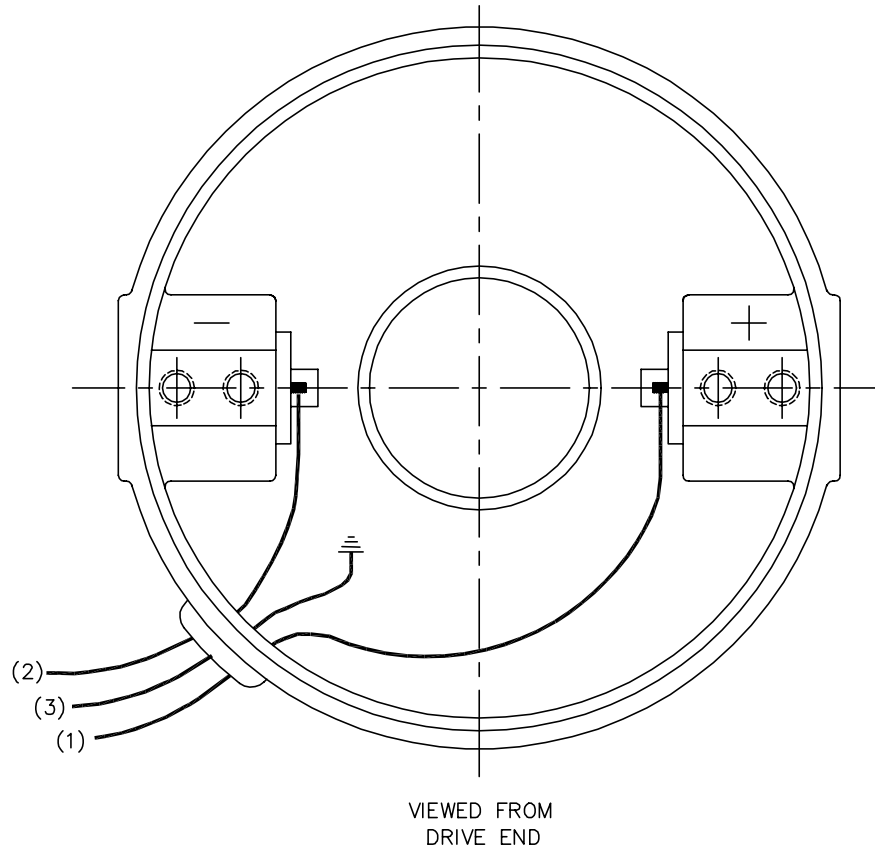
## Nameplate NP1220A24

CAT.NO.	VP7424D		
SER.NO.			
SPEC.	24508A		
FRAME	D63D	TYPE	135P
HP	.15kw/ .20hp TE		
VOLTS	180DC		
AMP	1.1		
F.F.	1.0	CLASS	A
RPM	1800		
AMB.	40C	DUTY	CONT
BRUSHES	2/BP5052BP01		
APRV-CE		APRV-CUL	

<b>Parts List</b>		
<b>Part Number</b>	<b>Description</b>	<b>Quantity</b>
NP1220A24	NP,DC STD AD NONE V CE CUL MOTOR ONLY	1.000 EA
LC0899A07	CONNECTION LABEL, DCPM CW ROTATION CE CO	1.000 EA
MN416A01	TAG-INSTAL-MAINT no wire (1200/bx) 11/14	1.000 EA
LB1451	WARNING LABEL, CE WARNING SYMBOLS ONLY	1.000 EA
BHF1002-003	EP,1K DE DC W/4X .375 HOLES	1.000 EA
HW5002A44	N5002-112 RET RING INTERNBEVELED F/6001	1.000 EA
BG60R8C03	R8 D.SH,C3,POLYREX EM (INCH BRG)	1.000 EA
24SA3000C08L	CTR,ASM, 135F W/BASE W/BLACK POWDER COAT	1.000 EA
BWA10176L	WIRED HSG. ASM, W/BLACK POWDER COATING	1.000 EA
BAA1350000	ARM.ASM, 135F W/TANG COMM	1.000 EA
HA3100A11	THRUBOLT 10-32 X 6.750	2.000 EA
BP5052BP01SP	BRUSH, GRADE R884 NATIONAL CARBON (FOR 1	1.000 EA
BP4530SP	BRUSH TUBE CAP:BBR1094	1.000 EA
HW5109A13	WASHER, WAVE SPRING FOR 26MM BORE SMALLE	1.000 EA
BMH2592	KEY,4MM SQUARE 20MM LONG	1.000 EA
CPA1000	PACKING GROUP STD. SINGLE	1.000 EA



CD1899



(1) COLOR MAY BE  
RED  
WHT  
BLU

(2) COLOR MAY BE  
BLK  
BRN

(3) COLOR WHEN REQ.  
GRN  
GRN/YEL

VIEWED FROM  
DRIVE END

REV. DESC: NEW			
REV. LTR: -	BY: PAW	REVISED: 09:06:34 09/16/2004	TDR: 341564
668100		FILE: CKA00025830	REF: CD1899
		MTL: -	

**BALDOR ELECTRIC Co.**

PM,2LD,REV,TANG,CK

CD1899