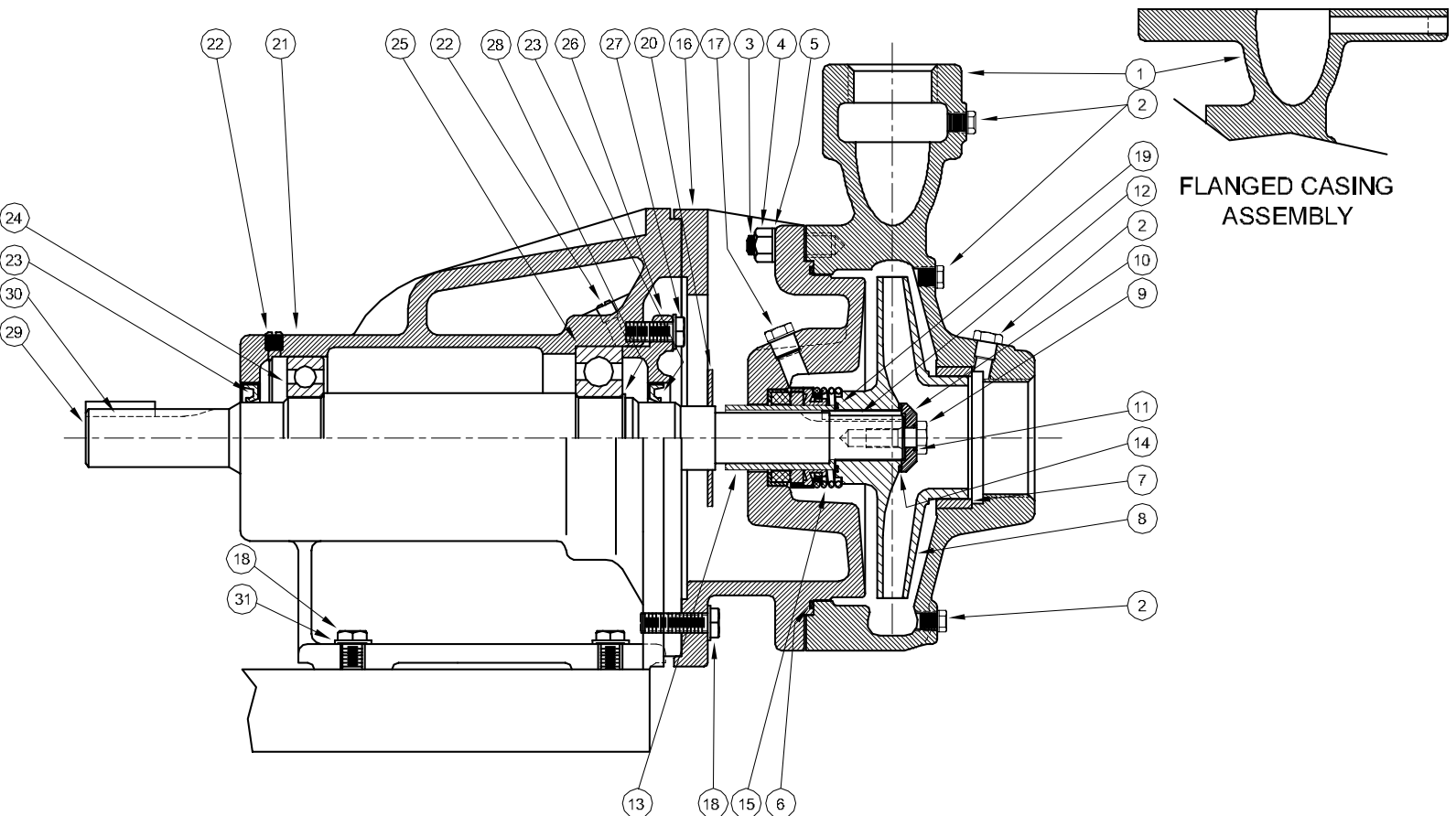


*Centrifugals - Base Mounted*



SYMBOL NUMBER	PART NUMBER	QTY	DESCRIPTION
++ 8	09928	1	Impeller - GNB6-1-1/2
	09929	1	Impeller - GNB6-2
	20678	1	Impeller - GNB6-2-1/2
	20420	1	Impeller - GNB7-2
	20421	1	Impeller - GNB7A-2
	21087-1	1	Impeller - GNB7-2-1/2
	20427	1	Impeller - GNB9-1-1/2
	21172-1	1	Impeller - GNB9-2
	21203-1	1	Impeller - GNB9-2-1/2
	21557-1	1	Impeller - GNB9-3F
9	1-529-1	1	Cap Screw - SS
10	22105-C	1	Washer - Bronze
11	22080	1	O-Ring Gasket - Buna-N (Std)
	2-31005-012	1	O-Ring Gasket - Viton
	22093	1	O-Ring Gasket - EPT**
	22082	1	O-Ring Gasket - Teflon
12	23014	1	Key
13	22063-C	1	Shaft Sleeve - Bronze
+ 14	09933	1	Flat Gasket +
	22083	1	O-Ring Gasket - Buna-N (Std)
	22084	1	O-Ring Gasket - Viton
	22094	1	O-Ring Gasket - EPT**
	22085	1	O-Ring Gasket - Teflon
15	09917	1	Mechanical Seal - Buna-N (Std)
	09926	1	Mechanical Seal - Viton
	21271	1	Mechanical Seal - EPT**
16	09920	1	Adapter - GNB6
	20419	1	Adapter - GNB7
	20431	1	Adapter Assy ♦ - GNB9
17	04236	1	Pipe Plug 1/4" - Bronze
	1-68-6	8	Cap Screw

"CONTINUED ON NEXT PAGE"

- (\*) Casing Assy. include Symbol Numbers 2, 3 & 7.
- (\*\*) For hot water or Caustic service.
- (+) Series GNB pumps have been manufactured with either flat or O-ring type gaskets. Determine which type is required before ordering. When in doubt, order flat gaskets.
- (++) Specific impeller diameter is identified by the last 3 digits of the Pump Catalog Number. To order correct impeller, this 3 digit suffix must be added to basic impeller number listed above. EXAMPLE: For Pump Catalog No. GNAB6-1-1/2-5.25, order impeller Part No. 09928-5.25
- (♦) Adapter Assy. includes symbol number 7.

SYMBOL NUMBER	PART NUMBER	QTY	DESCRIPTION
* 1	22150	1	Casing Assy - GNB6-1-1/2
	22151	1	Casing Assy - GNB6-2
	22269	1	Casing Assy - GNB6-2F (Flanged)
	22152	1	Casing Assy - GNB6-2-1/2
	22270	1	Casing Assy - GNB6-2-1/2F (Flanged)
	22153	1	Casing Assy - GNB7-2 & 7A-2
	22271	1	Casing Assy - GNB7-2F & 7A-2F (Flanged)
	22154	1	Casing Assy - GNB7-2-1/2
	22272	1	Casing Assy - GNB7-2-1/2F (Flanged)
	22155	1	Casing Assy - GNB9-1-1/2
	22156	1	Casing Assy - GNB9-2
	22273	1	Casing Assy - GNB9-2F (Flanged)
	22157	1	Casing Assy - GNB9-2-1/2
	22274	1	Casing Assy - GNB9-2-1/2F (Flanged)
	22275	1	Casing Assy - GNB9-3F (Flanged)
2	01691-A	6	Pipe Plug - 1/8" Bronze
3	03075	8	Stud - GNB6
	20424	8/12	Stud - GNB7/GNB9
4	15-23-6	8	Nut - GNB6
	15-6-6	8/12	Nut - GNB7/GNB9
5	01609-A	8	Washer - GNB6
	20059	8/12	Washer - GNB7/GNB9
<b>GNB6 PUMP SERIES</b>			
	09916	1	Flat Gasket +
	22099	1	O-Ring Gasket - Buna-N (Std)
	23000	1	O-Ring Gasket - Viton
	23001	1	O-Ring Gasket - EPT**
	23002	1	O-Ring Gasket - Teflon
<b>GNB7 PUMP SERIES</b>			
+ 6	20418	1	Flat Gasket +
	125857-200	1	O-Ring Gasket - Buna-N (Std)
	23004	1	O-Ring Gasket - Viton
	23005	1	O-Ring Gasket - EPT**
	23006	1	O-Ring Gasket - Teflon
<b>GNB9 PUMP SERIES</b>			
	20425	1	Flat Gasket +
	23007	1	O-Ring Gasket - Buna-N (Std)
	23008	1	O-Ring Gasket - Viton
	23009	1	O-Ring Gasket - EPT**
	23010	1	O-Ring Gasket - Teflon
7	09915	1	Wear Ring - GNB6-1-1/2, 7-2, 7A-2, 9-1-1/2
	09923-E	1	Wear Ring - GNB6-2, GNB9-2
	20680	1	Wear Ring - GNB6-2-1/2, 7-2-1/2, 9-2-1/2
	21315	1	Wear Ring - GNB9-3F

SYMBOL NUMBER	PART NUMBER	QTY	DESCRIPTION
<b>DIFFERING PARTS FOR ALL IRON CONSTRUCTION</b>			
* 1	22150-B	1	Casing Assy - GNB6-1-1/2
	22151-B	1	Casing Assy - GNB6-2
	22269-B	1	Casing Assy - GNB6-2F (Flanged)
	22152-B	1	Casing Assy - GNB6-2-1/2
	22270-B	1	Casing Assy - GNB6-2-1/2F (Flanged)
	22153-B	1	Casing Assy - GNB7-2 & 7A-2
	22271-B	1	Casing Assy - GNB7-2F & 7A-2F (Flanged)
	22154-B	1	Casing Assy - GNB7-2-1/2
	22272-B	1	Casing Assy - GNB7-2-1/2F (Flanged)
	22155-B	1	Casing Assy - GNB9-1-1/2
	22156-B	1	Casing Assy - GNB9-2
	22273-B	1	Casing Assy - GNB9-2F (Flanged)
22157-B	1	Casing Assy - GNB9-2-1/2	
22274-B	1	Casing Assy - GNB9-2-1/2F (Flanged)	
22275-B	1	Casing Assy - GNB9-3F (Flanged)	
2	00158	6	Pipe Plug 1/8" - Steel
7	09915-A	1	Wear Ring, Steel - GNB6-1-1/2, 7-2, 7A-2
	09915-A	2	Wear Ring, Steel - GNB9-1-1/2
	09923-A	1	Wear Ring, Steel - GNB6-2, 9-2
	20680-A	1	Wear Ring, Steel - GNB6-2-1/2, 7-2-1/2 & 9-2-1/2
	21315-A	1	Wear Ring, Steel - GNB9-3F
++ 8	09928-A	1	Impeller, Iron - GNB6-1-1/2
	09929-A	1	Impeller, Iron - GNB6-2
	20678-A	1	Impeller, Iron - GNB6-2-1/2
	20420-A	1	Impeller, Iron - GNB7-2
	20421-A	1	Impeller, Iron - GNB7A-2
	21087-A-1	1	Impeller, Iron - GNB7-2-1/2
	20427-A	1	Impeller, Iron - GNB9-1-1/2
	21172-A-1	1	Impeller, Iron - GNB9-2
	21203-A-1	1	Impeller, Iron - GNB9-2-1/2
	21557-A-1	1	Impeller, Iron - GNB9-3F
10	22105-A	1	Washer - Steel
13	22063-A	1	Shaft Sleeve - SS
16	20431-B	1	Adapter Assy ♦ - GNB9-1-1/2
17	04236-A	1	Pipe Plug 1/4" - SS

(\*) Casing Assy. include Symbol Numbers 2, 3 &amp; 7.

(\*\*) For hot water or Caustic service.

(+ ) Series GNB pumps have been manufactured with either flat or O-ring type gaskets. Determine which type is required before ordering. When in doubt, order flat gaskets.

(++ ) Specific impeller diameter is identified by the last 3 digits of the Pump Catalog Number. To order correct impeller, this 3 digit suffix must be added to basic impeller number listed above. EXAMPLE: For Pump Catalog No. GNAB6-1-1/2-5.25, order impeller Part No. 09928-5.25

♦ Adapter Assy. includes symbol number 7.

SYMBOL NUMBER	PART NUMBER	QTY	DESCRIPTION	
+ 19	09911	1	Flat Gasket +	
	22083	1	O-Ring Gasket - Buna-N (Std)	
	22084	1	O-Ring Gasket - Viton	
	22094	1	O-Ring Gasket - EPT**	
	22085	1	O-Ring Gasket - Teflon	
20	09918	1	Slinger Washer	
21	20967	1	Bearing Housing	
22	01691	2	Plug	
23	20998	2	Seal	
24	21001	1	Bearing, Outboard	
25	052935	1	Bearing, Inboard	
26	20968	1	Cover, Inboard Bearing	
27	1-156-6	2	Cap Screw	
28	030650	1	Retaining Ring	
29	20977	1	Shaft	
30	03234	1	Key	
31	03249	4	Washer	
	21062	1	Power Frame Assy. (Includes Symbol No. 20 thru 30)	
<b>DIFFERING PARTS FOR ALL BRONZE CONSTRUCTION</b>				
* 1	22150-A	1	Casing Assy - GNB6-1-1/2	
	22151-A	1	Casing Assy - GNB6-2	
	22269-A	1	Casing Assy - GNB6-2F (Flanged)	
	22152-A	1	Casing Assy - GNB6-2-1/2	
	22270-A	1	Casing Assy - GNB6-2-1/2F (Flanged)	
	22153-A	1	Casing Assy - GNB7-2 & 7A-2	
	22271-A	1	Casing Assy - GNB7-2F & 7A-2F (Flanged)	
	22154-A	1	Casing Assy - GNB7-2-1/2	
	22272-A	1	Casing Assy - GNB7-2-1/2F (Flanged)	
	22155-A	1	Casing Assy - GNB9-1-1/2	
	22156-A	1	Casing Assy - GNB9-2	
	22273-A	1	Casing Assy - GNB9-2F (Flanged)	
	22157-A	1	Casing Assy - GNB9-2-1/2	
	22274-A	1	Casing Assy - GNB9-2-1/2F (Flanged)	
	22275-A	1	Casing Assy - GNB9-3F (Flanged)	
	4	03160-A	12	Nut - GNB7 & GNB9
		05536	8	Nut - GNB6
	5	01609-B	8	Washer - GNB6
	9	03289	1	Cap Screw - Bronze
	16	09920-B	1	Adapter - GNB6
20419-B		1	Adapter - GNB7	
20431-A		1	Adapter Assy. ♦ - GNB9	
22845		1	Adapter - GNB-GA7 Series	
18	01638-B	8	Cap Screw	