



# MARCH PUMPS

1819 PICKWICK AVE., GLENVIEW, IL 60026-1306, U.S.A

## DESCRIPTION:

Series 7 are centrifugal magnetic drive pumps, eliminating the need for a shaft seal. Pumps can be serviced with an adjustable wrench. See the parts list for a breakdown of parts.

## Model Abbreviations:

R: Polypropylene/Ryton, K: Kynar, P: Polypropylene

## OPERATION:

Pumps are not self-priming, lack a suction lift, and thus require a **flooded suction**. Pumps **cannot be run dry** because the impeller requires the liquid being pumped for lubrication. The direction of motor rotation should be clockwise when facing the inlet of the pump. For liquids with a specific gravity greater than water, have a higher viscosity, or for elevated temperatures, a trimmed impeller may be necessary. For application assistance, contact March Pump.

## ELECTRICAL:

### Configurations:

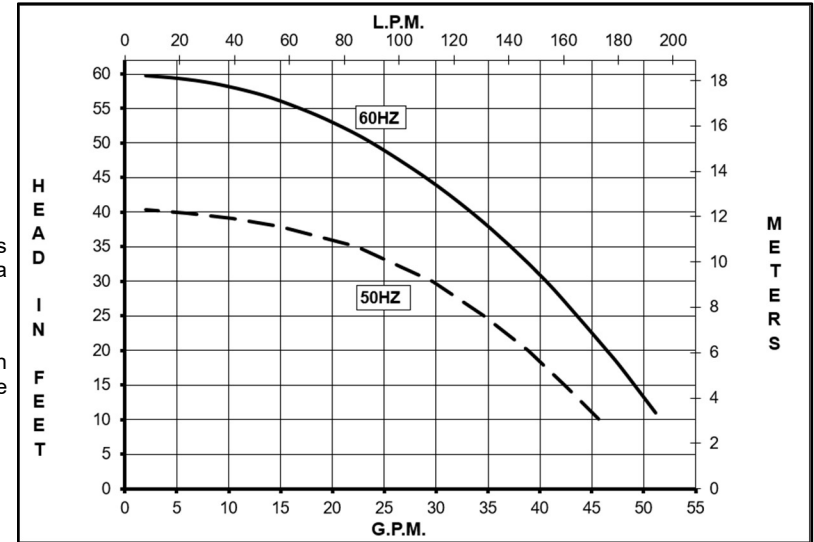
- 1 phase 115/230 Volt, 50/60 Hz.
- 3 phase 230/460 Volt, 60 Hz, 190/380 Volt, 50 Hz.

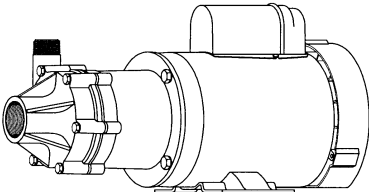
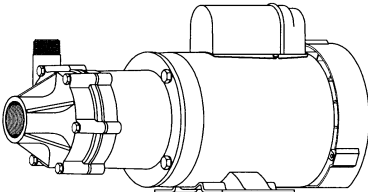
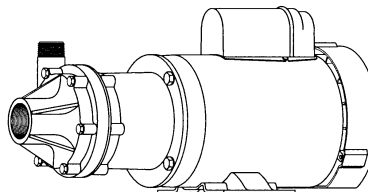
Motors are totally enclosed fan cooled and are U.L. listed as well as rated for continuous operation. All motors have a conduit box for electrical connections.

## LIMITED WARRANTY:

March pumps are guaranteed only against defects in workmanship or materials for a period of one year from date of manufacture pumping water.

## TE-7R-MD, TE-7K-MD, TE-7P-MD



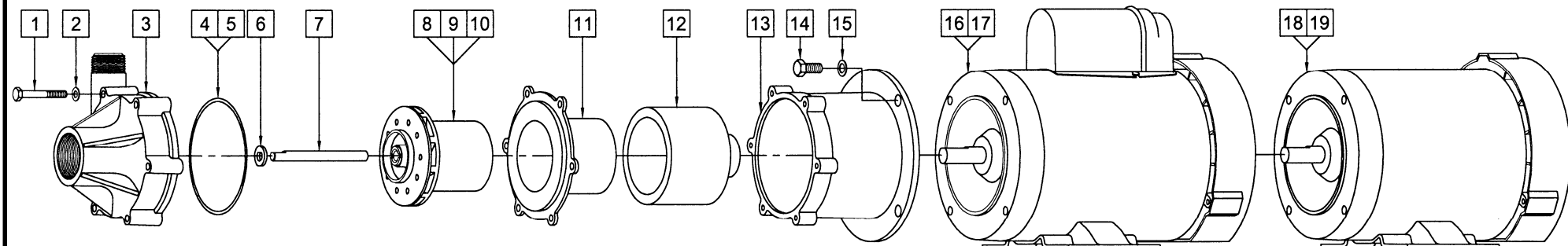
SPECIFICATIONS	TE-7R-MD										TE-7K-MD										TE-7P-MD									
																														
Product #	1 Phase					0155-0011-0200					0155-0011-0300					0155-0254-0100														
	3 Phase					0155-0011-0400					0155-0011-0500					0155-0254-0200														
Inlet - Outlet	1-1/2" FPT - 1" MPT					1-1/2" FPT - 1" MPT					1-1/2" FPT - 1" MPT					1-1/2" FPT - 1" MPT														
Max Internal Pressure	50 psi (344 kPa)					75 psi (517 kPa)					50 psi (344 kPa)																			
Max Liquid Temperature	190 °F (87 °C)					200 °F (93 °C)					190 °F (87 °C)																			
MODEL	60 Hz										50 Hz										Height		Width		Length		Packed Weight			
	Max Flow	Max Head	ELECTRICAL							Max Flow	Max Head	ELECTRICAL							Inches	cm	Inches	cm	Inches	cm	lbs	kg				
	gpm	lpm	ft	psi	m	Ph	V	A	Hp	kW	Rpm	gpm	lpm	ft	psi	m	Ph	V	A	Hp	kW	Rpm								
TE-7R-MD	53	201	60.0	26.0	18.3	1	115	9.2	0.75	0.55	3450	47	180	40.3	17.5	12.3	1	115	9.4	0.68	0.50	2850	8.94	22.7	8.96	22.7	17.81	45.2	38.55	17.48
							230	4.6											230	4.7										
TE-7K-MD	53	201	60.0	26.0	18.3	3	230	2.2	0.75	0.55	3450	47	180	40.3	17.5	12.3	3	190	2.6	0.75	0.55	2850	7.38	18.7	8.96	22.7	17.31	43.9	34.95	15.85
							460	1.1											380	1.3										
TE-7P-MD	53	201	60.0	26.0	18.3	1	115	9.2	0.75	0.55	3450	47	180	39.36	17.1	12.3	1	115	9.4	0.68	0.50	2850	8.94	22.7	8.96	22.7	17.81	45.2	38.55	17.48
							230	4.6											230	4.7										
TE-7P-MD	53	201	60.0	26.0	18.3	3	230	2.2	0.75	0.55	3450	47	180	39.36	17.1	12.3	3	190	2.6	0.75	0.55	2850	7.38	18.7	8.96	22.7	17.31	43.9	34.95	15.85
							460	1.1											380	1.3										

All specifications/values are based on pumping water and are intended as a guideline only. Values may vary with different motors.

**NOTE:**

When replacing Impeller Bushing in the field: The plastic bushings must be bored to size after they have been pressed into the impeller. Bore to 0.378/0.381 I.D. The carbon and ceramic bushings are to finished size and do not require boring. When attaching drive magnet to the motor shaft, position the face of the drive magnet 1/8 inch below the face of the motor bracket.

**PARTS LIST**



#	DESCRIPTION	TE-7R-MD	TE-7K-MD	TE-7P-MD	SIZE (Inches)	QTY.	TE-7R-MD	TE-7K-MD	TE-7P-MD
1	Screw		Stainless		1/4-20 x 2 Lg.	6		0155-0014-1000	
2	Washer		Stainless		1/4 ID x 1/2 OD	6		0155-0021-1000	
3	Front Housing	Polypropylene	Kynar	Polypropylene		1	0155-0011-1000	0155-0125-1000	0155-0011-1000
4	"O" Ring		Viton		1/8 CS x 4-3/8 OD	1		0155-0010-1000	
5	"O" Ring		Viton/Teflon (Option)		1/8 CS x 4-3/8 OD	1		0155-0071-1000	
6	Thrust Washer		Ceramic			1		0155-0009-1000	
7	Shaft		Ceramic		4.070 Lg.	1		0155-0039-1000	
8	Impeller w/Teflon/Ryton/Carbon Bushing	Polypropylene	Kynar (Option)	Polypropylene		1	0155-0159-0500	0155-0160-0500	0155-0159-0500
9	Impeller w/Carbon Bushing	Polypropylene (Option)	Kynar	Polypropylene (Option)		1	0155-0159-0200	0155-0160-0200	0155-0159-0200
10	Impeller w/Mica Teflon Bushing	Polypropylene (Option)	Kynar (Option)	Polypropylene (Option)		1	0155-0159-0400	0155-0160-0400	0155-0159-0400
11	Rear Housing w/Ceramic Thrust Washer	Ryton	Kynar	Polypropylene		1	0155-0067-0100	0155-0124-0100	0155-0091-0100
12	Drive Magnet					1		0155-0130-0200	
13	Motor Bracket		Aluminum			1		1095-0015-0010	
13A	Motor Bracket		Plastic (Option)			1		0155-0092-0100	
14	Screw		Stainless		3/8-16 x 3/4 Lg.	4		0155-0017-1000	
15	Washer		Stainless		3/8 ID x 5/8 OD	4		0155-0019-1000	
16	Motor, TEFC, 3/4 HP, 1 Phase, 115/230 V, 50/60 Hz					1		0155-0016-1000	
17	Motor, TEFC, 1 HP, 1 Phase, 115/230 V, 50/60 Hz (Option)					1		0155-0173-1000	
18	Motor, TEFC, 3/4 HP, 3 Phase, 230/460 V, 50/60 Hz					1		0155-0022-1000	
19	Motor, TEFC, 1 HP, 3 Phase, 230/460 V, 50/60 Hz (Option)					1		0155-0174-1000	
W	Wet End Kit (TE-7R-MD)		1, 2, 3, 4, 6, 7, 8, 11			1	0155-0165-0100		
W	Wet End Kit (TE-7K-MD)		1, 2, 3, 4, 6, 7, 9, 11			1		0155-0166-0100	
W	Wet End Kit (TE-7P-MD)		1, 2, 3, 4, 6, 7, 8, 11			1			0155-0255-0100

**Materials in Contact with Solution:**

TE-7R-MD	TE-7K-MD	TE-7P-MD
Polypropylene, Ryton, Viton, Ceramic Ryton/Teflon/Carbon	Kynar/Glass Filled, Viton, Ceramic, Carbon	Polypropylene, Viton, Ceramic Ryton/Teflon/Carbon

NOTE: Contact Factory for other materials and/or parts not listed.

Explosion proof & special voltage motors are available upon special order.

0155-0046-1000 R30