



OBERDORFER PUMPS

A Gardner Denver Product

Mounting Instructions - M, N or P Type Universal Adapter Bracket

For Mounting Oberdorfer Bronze Rotary Gear Pump Models:

N999, N991, N992, N993 (No Relief)

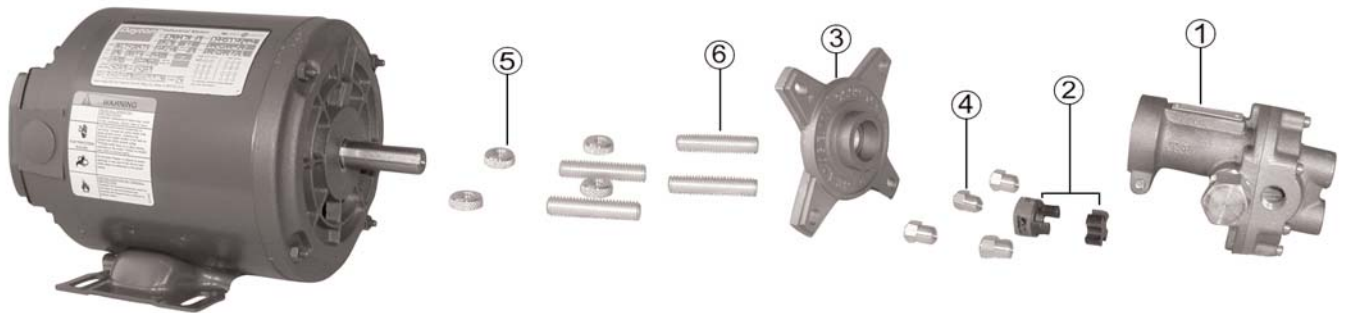
N999R, N991R, N992R, N993R (With Relief)

To NEMA 48, S56, or 56 Frame Electric Motors

MOTORS

Model	HP @ 1725 RPM	Flow GPM	Pressure PSI
N999	1/4	to .46	to 150
N991	1/4	to 1.62	to 80
	1/3	to 1.35	to 125
	1/2	to 1.20	to 150
N992	1/3	to 3.08	to 60
	1/2	to 3.03	to 100
	3/4	to 2.50	to 150
N993	1/3	to 7.65	to 25
	1/2	to 6.60	to 55
	3/4	to 5.80	to 75

"M" Adapter Bracket Shown



IMPORTANT!
STUD IS TREADED
ON BOTH ENDS.

8-32 Thread 10-32 Thread

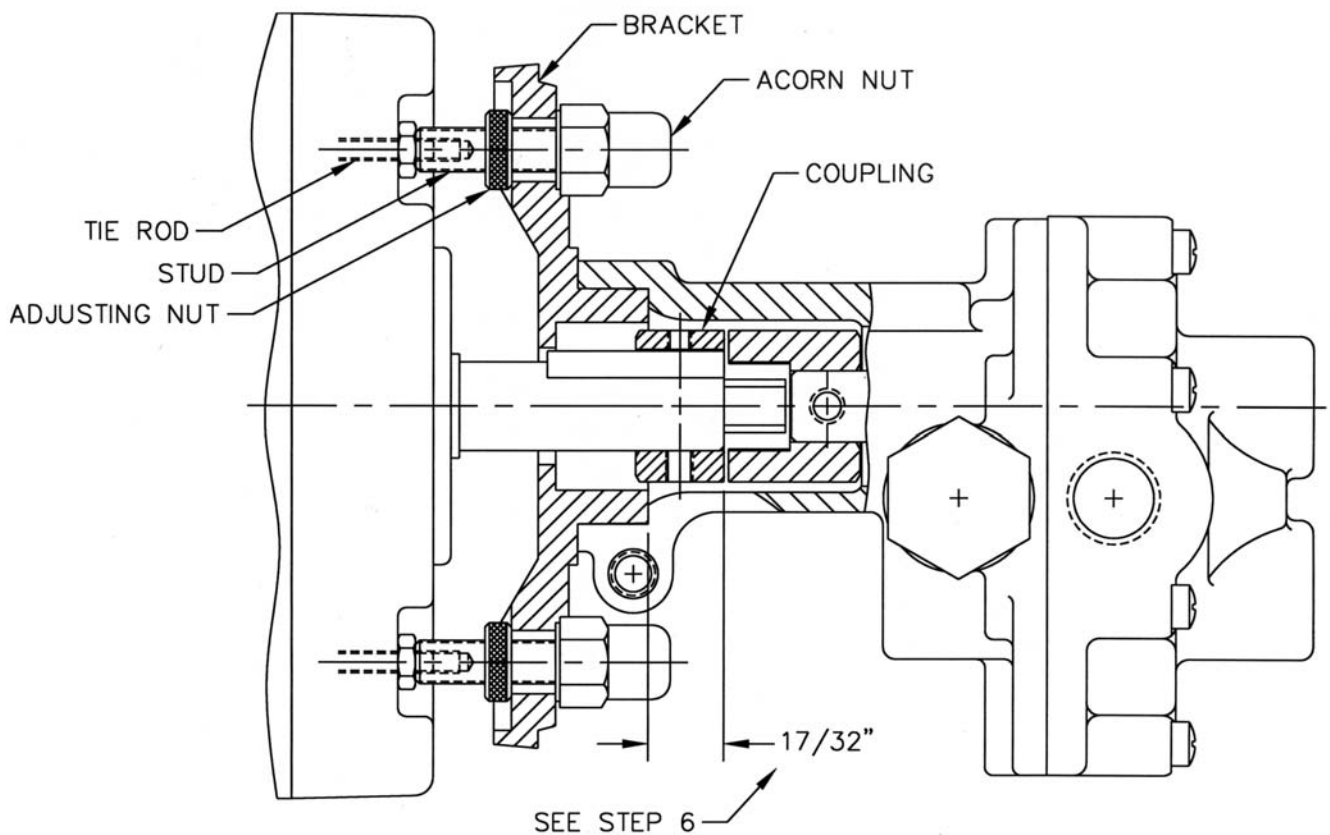


USE PROPER END TO MATCH
MOTOR TIE ROD.

Contents of Assembly Package

Frame	1	2	3	4	5	6	Adapter Kit ¹	Adapter Code Letter	
Motor	Gear Pump w/ Coupling Half	Coupling Half	Spider	Bracket	Acorn Nut	Adjust. Nut			Stud
	1 Req'd	1 Req'd	1 Req'd	1 Req'd	4 Req'd	4 Req'd	4 Req'd		
48	See	5604	7839	6656				10562	M
S56	Model Numbers	7643	7839	9420	6351	6350	6349	11722	P
56	Above	7643	7839	6037				10816	N

¹ Adapter Kit contains items 2, 3, 4, 5, & 6.



- 1) Remove the four (4) Tie Rod Nuts which hold the motor together. If necessary, reverse the Thru-Bolts for threaded end of bolts to be toward shaft end of motor.
- 2) Screw threaded Studs onto Tie Rods. Note: Some Tie Rods have 8-32 threads, some have 10-32 threads. Studs are threaded from both ends, select proper end.
- 3) Screw Adjusting Nuts onto Studs in preliminary position approximately 1/2" from the end of the Studs.
- 4) Slide Bracket over motor shaft onto the four (4) Studs so that it rests against the four (4) Adjusting Nuts.
- 5) Slip one Coupling Half onto motor shaft so that the shaft end is flush with the Hub Portion of the Coupling. Tighten Set Screw.
- 6) Adjust the four (4) Adjusting Nuts so that the distance between the end of the Motor Shaft and the front of the Bracket is 17/32". It is important that all four (4) Adjusting Nuts are about an equal distance away from the motor. This will insure squareness of the Bracket relative to the motor shaft.
- 7) Screw Acorn Nuts onto Studs. While tightening them with a wrench, rotate shaft by hand and make sure Shaft does not bind in Bracket.
- 8) Slide Gear Pump (with Rubber Spider and other Coupling Half on pump shaft) onto hub of Bracket. Check thru slot in bottom of Gear Pump for proper clearance between the Coupling Halves (approximately 1/16"). Tighten Clamp Screw to lock Gear Pump on Bracket.