

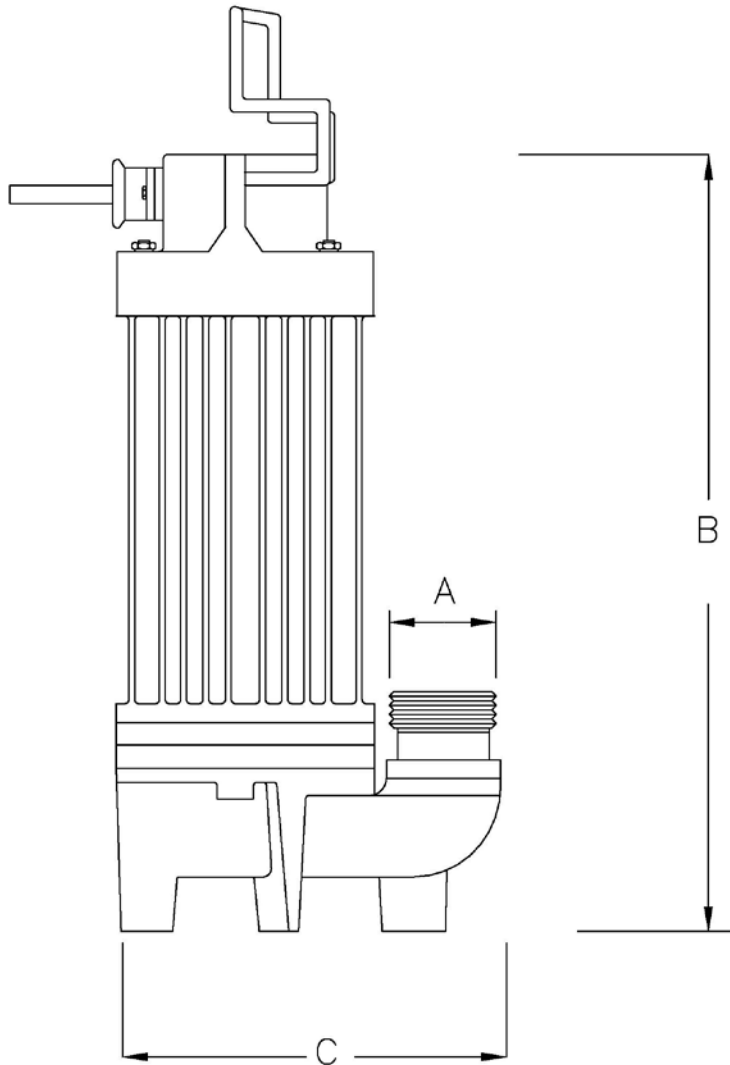


# Dimensions

# CSA Trash Pumps SL1000-2

STANCOR

Dwg: DS-A19-014 Rev: 1 Date: 09/15



Dimensions	A	B	C
SL1000-2	3" or 4"	28.5"	13"

Specifications subject to change without notice

Stancor, Inc. 515 Fan Hill Road, Monroe, CT 06468

Tel: 203-268-7513

Fax : 203-268-7958

www.stancorpumps.com