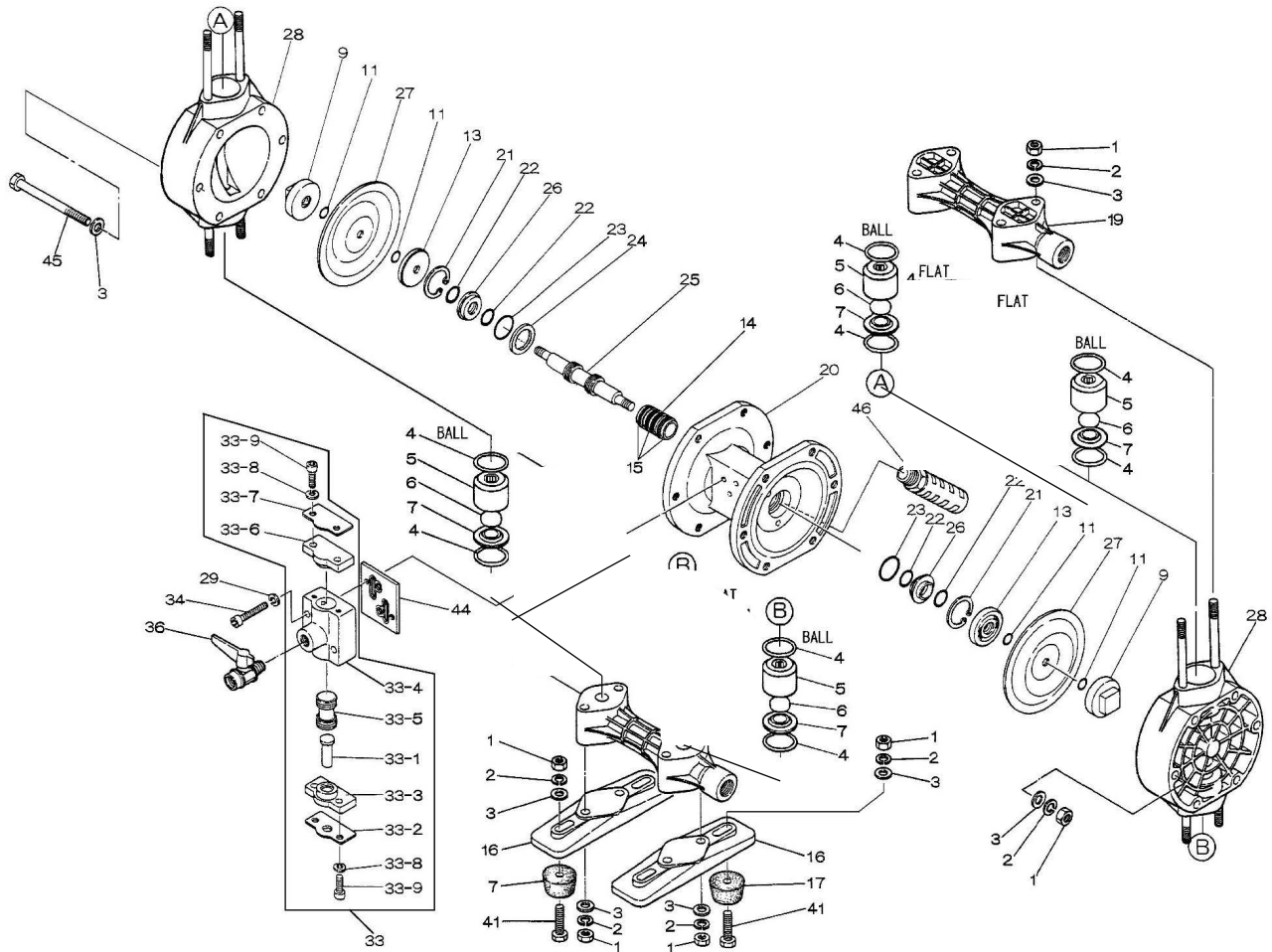
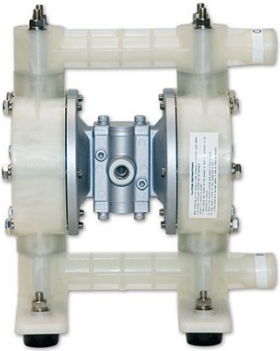


EXPLODED VIEW & PARTS LISTING

Model: DP-15BP (BALL)
Polypropylene Series



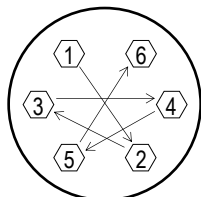
Air Operated Double Diaphragm Pump



Air Operated Double Diaphragm Pump

	DP-15BPB	DP-15BPN	DP-15BPS	DP-15BPT			
	853722	853718	853724	853720			
REF. No.	PARTS No.	PARTS No.	PARTS No.	PARTS No.	DESCRIPTION	QTY.	REORDER
1	628012	628012	628012	628012	NUT	12	
2	681300	681300	681300	681300	SPRING LOCK WASHER	24	
1	631329	631329	631329	631329	PLAIN WASHER	24	
4	640027	640027	684115	643027	O-RING	8	
5	771806	771806	771806	771806	VALVE STOPPER	4	
6	773125	771525	773169	771524	BALL	4	
7	780162	780162	780162	780162	VALVE SEAT	4	
9	770968	770968	770968	770968	CENTER DISK (OUTER)	2	
11	-	640005	-	643005	O-RING	4	
13	770968	770968	770968	770968	CENTER DISK (INNER)	2	
14	714678	714678	714678	714678	SLEEVE	1	
15	684900	684900	684900	684900	O-RING	4	
16	771352	771352	771352	771352	BASE	2	
17	770551	770551	770551	770551	CUSHION	4	
19	780190	780190	780190	780190	MANIFOLD	2	
20	715107	715107	715107	715107	BODY	1	
21	630807	630807	630807	630807	RETAINING RING R TYPE	2	
22	684284	684284	684284	684284	PACKING	4	
23	640131	640131	640131	640131	O-RING	2	
24	772651	772651	772651	772651	SPACER	1	
25	801785	801785	801785	801785	CENTER ROD ASSEMBLY	1	
26	772619	772619	772619	772619	GUIDE BUSHING	2	
27	771372	770973	771972	770933	DIAPHRAGM	2	
28	780119	780119	780119	780119	OUT CHAMBER	2	
29	681855	681855	681855	681855	SPRING LOCK WASHER	2	
33	804505	804505	804505	804505	VALVE BODY ASSEMBLY	1	
33-1	706798	706798	706798	706798	RESET BUTTON	1	
33-2	710587	710587	710587	710587	REINFORCEMENT PLATE A	1	
33-3	771357	771357	771357	771357	CAP	1	
33-4	710853	710853	710853	710853	SPOOL VALVE CASE	1	
33-5	801404	801404	801404	801404	SPOOL VALVE ASSEMBLY	1	
33-6	771356	771356	771356	771356	CAP	1	
33-7	710636	710636	710636	710636	REINFORCEMENT PLATE B	1	
33-8	681855	681855	681855	681855	SPRING LOCK WASHER	4	
33-9	682943	682943	682943	682943	HEXAGON SOCKET HEAD BOLT	4	
34	682918	682918	682918	682918	HEXAGON SOCKET HEAD BOLT	2	
36	686826	686826	686826	686826	BALL VALVE	1	
41	621153	621153	621153	621153	BOLT	4	
44	771358	771358	771358	771358	GASKET	1	
45	621160	621160	621160	621160	BOLT	12	
46	682520	682520	682520	682520	SILENCER	1	
KIT	K15-PH-B	K15-PN-B	K15-PS-B	K15-PT-B	LIQUID SIDE		
KIT	K115-AM				AIR MOTOR		

Air Operated Double Diaphragm Pump



Tightening torque for center rod and out chambers.

Center Rod	122 in-lbf {14 N-m}
Out Chambers	105 in-lbf {12 N-m}

Tightening torque for manifold retainer bolts.

BPH/N/S/T	105 in-lbf {12 N-m}
-----------	---------------------

General Tools:

- Socket wrench - 13mm
- Hexagonal box wrenches - 5mm
- Open-end wrench - 21mm
- Snap ring pliers

Miscellaneous:

- Assembly Oil—turbine oil none additional class 1 (equivalent to ISO VGA32 grade)
- Urea grease grade (NLGI) No. 2

Customer Notes

Model #: _____
 Description: _____
 Serial #: _____
 Date Installed: _____
 Department Location: _____
 Tag/Project: _____