



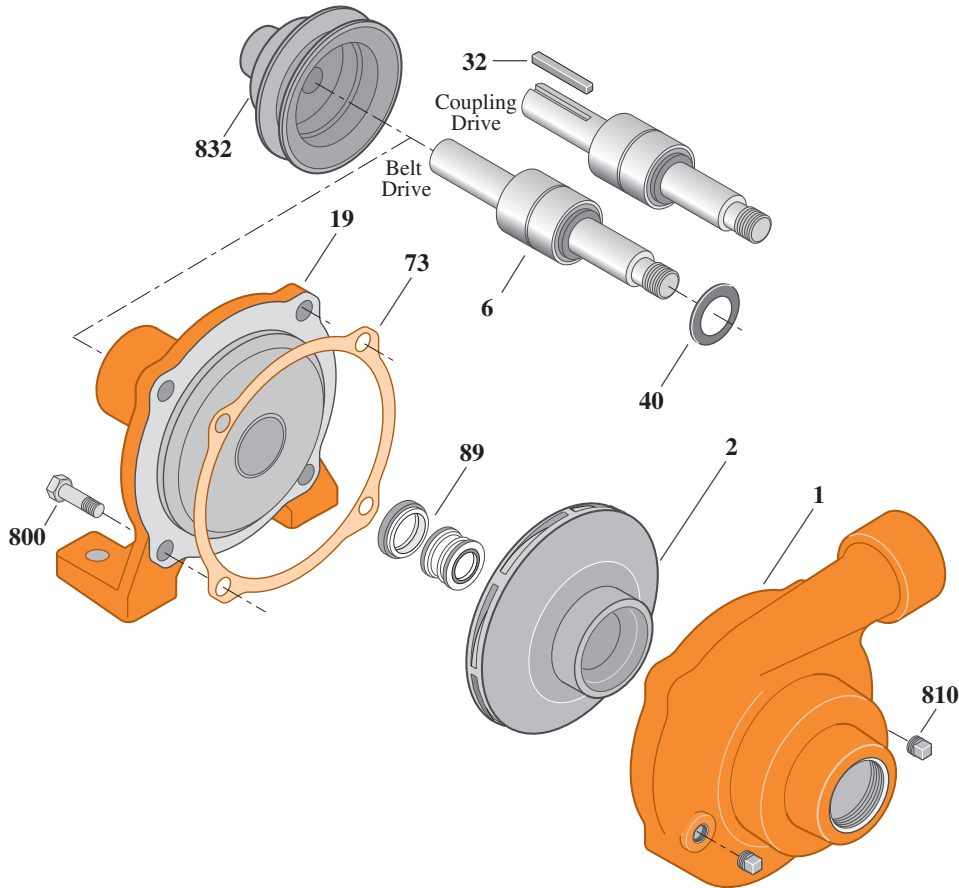
# Type "B" Single Stage Centrifugal Pump Belt/Coupling Drive

Section	B/C
Page	10.1
Date	December 1, 2011
Supersedes 1/1/04	

## CAST IRON IMPELLER B1MRS

### Threaded Case (NPT)

### Mechanical Shaft Seal Construction



Item	Part Description	Part Number
1	Case, Volute	L01131
2	Impeller	See Table I
6	Shaft Assembly	See Table I
19	Frame	M01856
40	Slinger, Water	S05222
32	Key, 3/16 x 1"	S24151
73	Gasket, Case	S05141
89	Seal, Mechanical Shaft	S05645
800	Capscrew, 3/8-16x3/4" (4 Req.)	S26824
810	Pipe Plug, 1/8" NPT (2 Req.)	S23714
832	Sheave	S05375

**Table I**

B/M No.	Drive Type	Shaft No.	Impeller	Impeller Diameter
B56413	Coupling - CCW	S30819	S05266	4.50"
B01838	Belt - CCW	S08164	S05266	4.50"



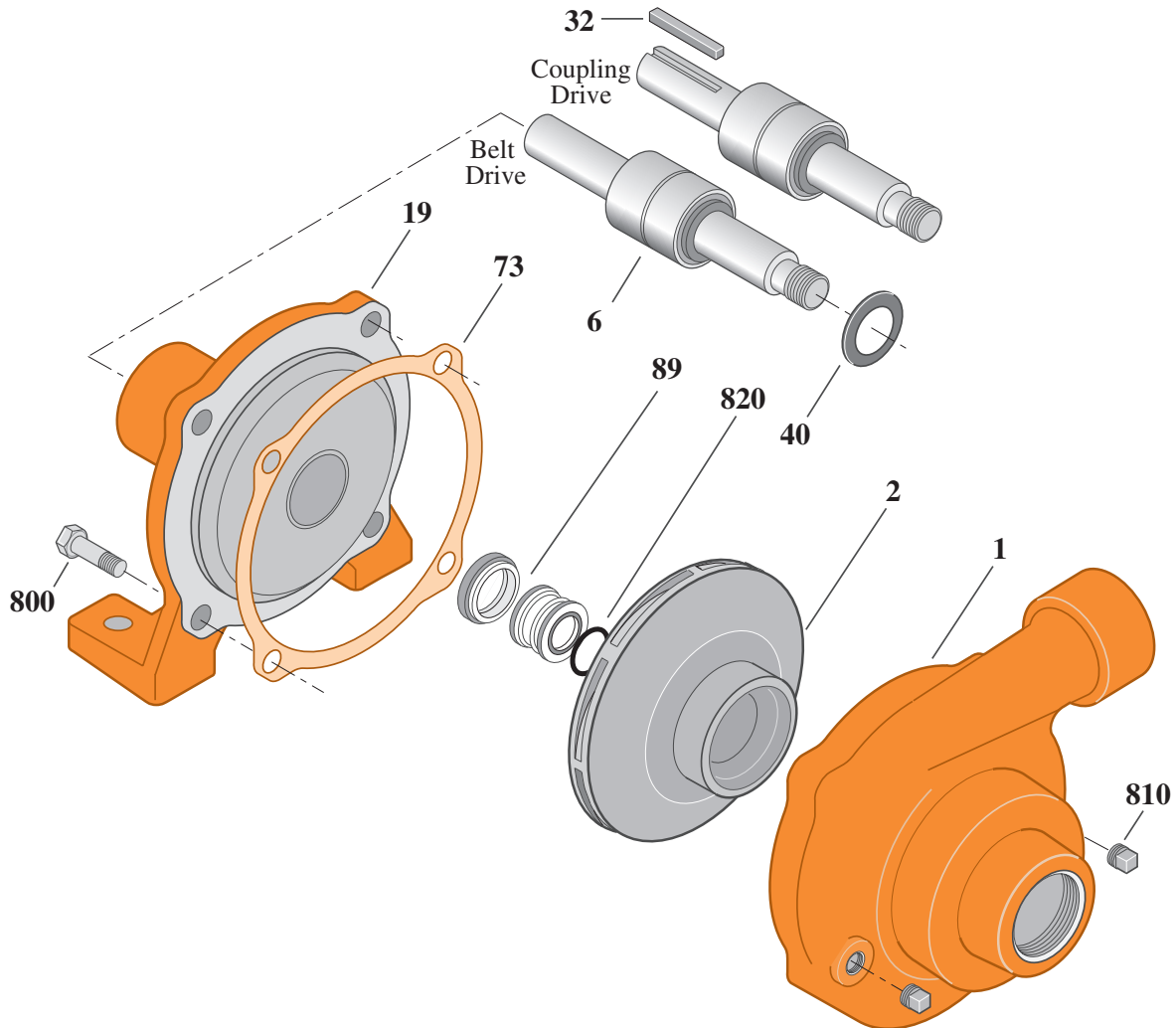
# Type "B" Single Stage Centrifugal Pump Belt/Coupling Drive

Section	B/C
Page	10.2
Date	May 1, 2011
Supersedes 1/1/04	

## BRONZE IMPELLERB1MRS

Threaded Case (NPT)

Mechanical Shaft Seal Construction



Item	Part Description	Part Number
1	Case, Volute	L01131
2	Impeller	See Table I
6	Shaft Assembly	See Table I
19	Frame	M01856
32	Key, 3/16 x 1"	S24151
40	Slinger, Water	S05222
73	Gasket, Case	S05141
89	Seal, Mechanical Shaft	S05645
800	Capscrew, 3/8-16x3/4" (4 rqd)	S26824
810	Pipe Plug, 1/8" NPT (2 rqd)	S23714
820	O-Ring	111M1640

**Table I**

B/M No.	Drive Type	Shaft No.	Impeller	Imp. Diameter.
B76019	Coupling - CCW	S30819	M11261	4.50



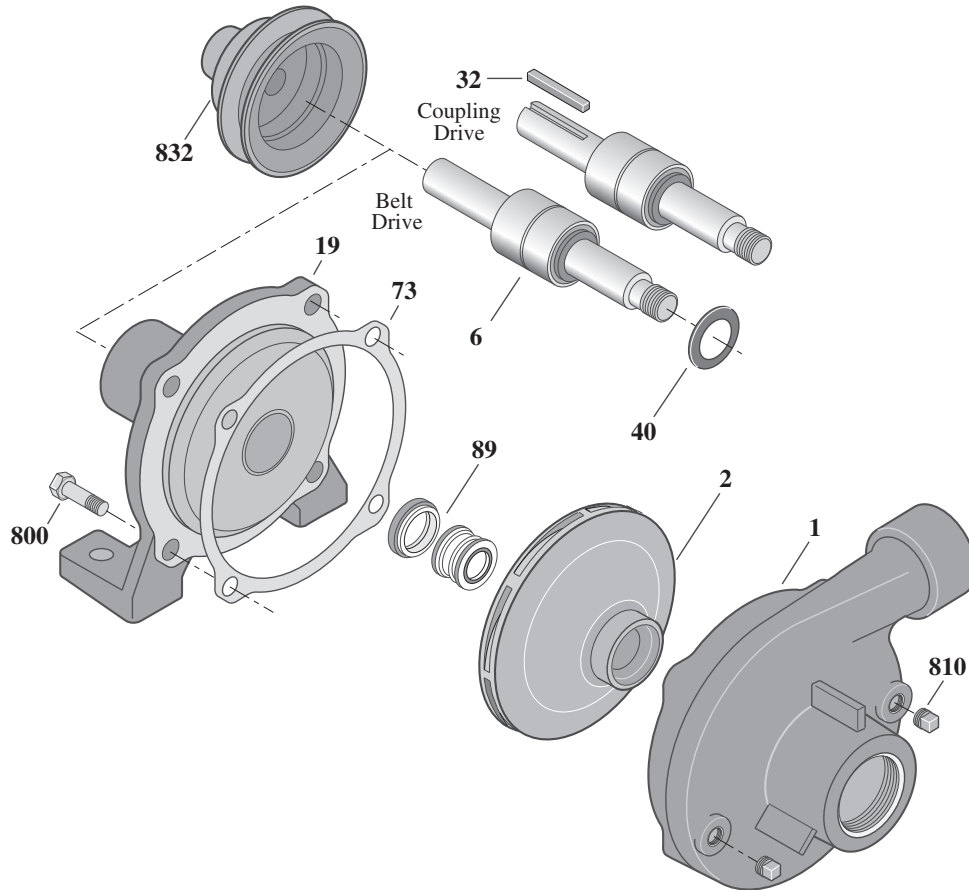
# Type "B" Single Stage Centrifugal Pump Belt/Coupling Drive

Section	B/C
Page	20.1
Date	December 1, 2011
Supersedes 1/1/04	

## CAST IRON IMPELLERB1XRS

### Threaded Case (NPT)

### Mechanical Shaft Seal Construction



Item	Part Description	Part Number
1	Case, Volute	M01842
2	Impeller	See Table I
6	Shaft Assembly	See Table I
19	Frame	M01856
32	Key, 3/16 x 1"	S24151
40	Slinger, Water	S05222
73	Gasket, Case	S05141
89	Seal, Mechanical Shaft	S05645
800	Capscrew, 3/8-16x3/4" (4 Req.)	S26824
810	Pipe Plug, 1/8" NPT (2 Req.)	S23714
832	Sheave	S05375

**Table I**

B/M No.	Drive Type	Shaft No.	Impeller	Impeller Diameter
B56414	Coupling - CCW	S30819	M01868	5.31"
B01784	Belt - CCW	S08164	M01868	5.31"



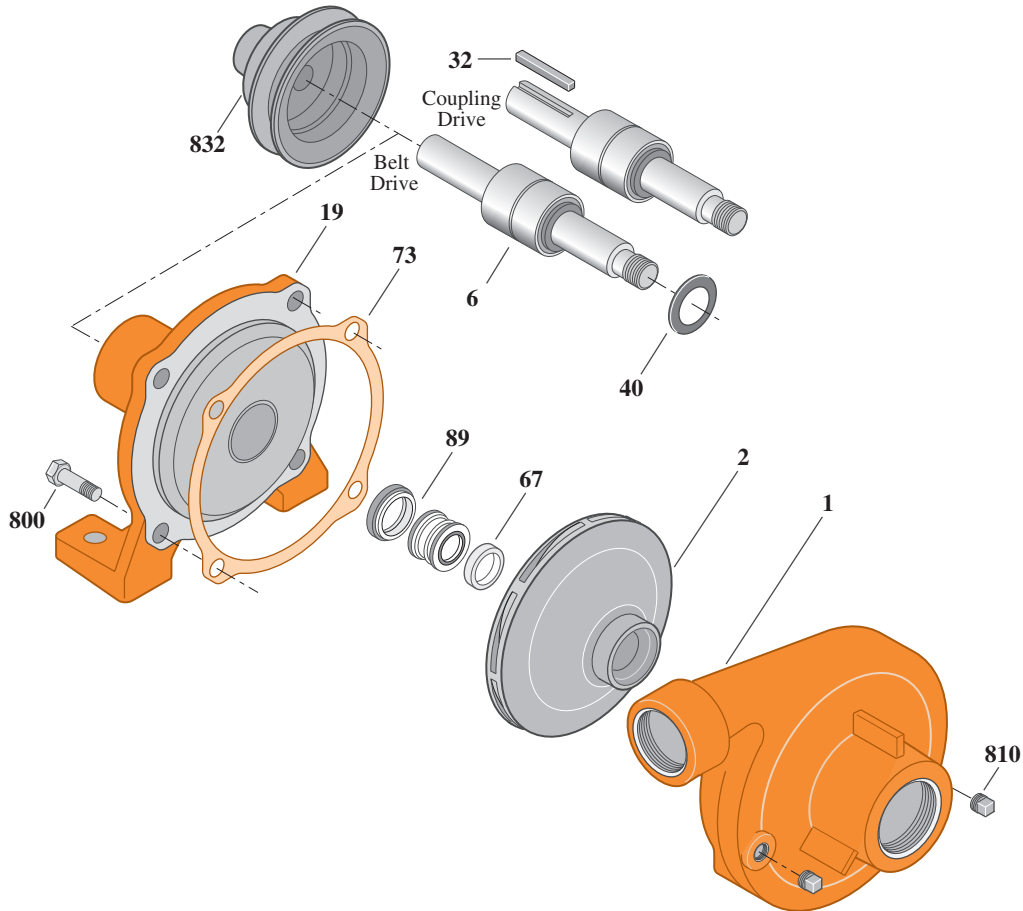
# Type "B" Single Stage Centrifugal Pump Belt/Coupling Drive

Section	B/C
Page	30.1
Date	December 1, 2011
Supersedes 5/1/06	

## BRONZE IMPELLERB1XRMS

**Threaded Case (NPT)**

**Mechanical Shaft Seal Construction**



Item	Part Description	Part Number
1	Case, Volute	M06154
2	Impeller	See Table I
6	Shaft Assembly	See Table I
19	Frame	M01856
32	Key, 3/16 x 1"	S24151
40	Slinger, Water	S05222
67	Spacer, Impeller	S17323
73	Gasket, Case	S05141
89	Seal, Mechanical Shaft	S05645
800	Capscrew, 3/8-16x3/4" (4 Req.)	S26824
810	Pipe Plug, 1/8" NPT (2 Req.)	S23714
832	Sheave	S05375

**Table I**

B/M No.	Drive Type	Shaft No.	Impeller	Impeller Diameter
B56415	Coupling - CW	S16578	M05909	5.00"
B07005	Belt - CW	S06397	M05909	5.00"



# Type "B" Single Stage Centrifugal Pump Belt/Coupling Drive

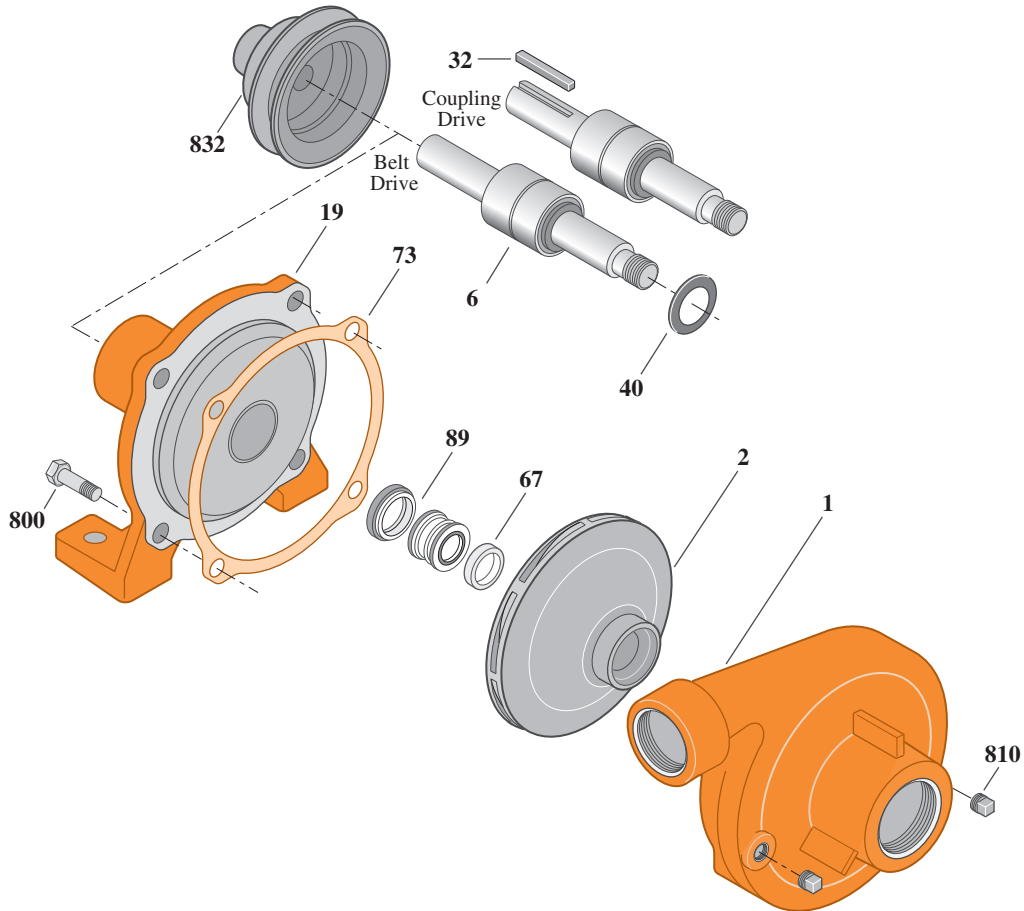
Section	B/C
Page	30.2
Date	December 1, 2011
Supersedes 1/1/04	

**BRONZE IMPELLER**

**B1XRMS**

**Threaded Case (NPT)**

**Mechanical Shaft Seal Construction**



Item	Part Description	Part Number
1	Case, Volute	M06154
2	Impeller	See Table I
6	Shaft Assembly	See Table I
19	Frame	M01856
32	Key, 3/16 x 1"	S24151
40	Slinger, Water	S05222
67	Spacer, Impeller	S17323
73	Gasket, Case	S05141
89	Seal, Mechanical Shaft	S05645
800	Capscrew, 3/8-16x3/4" (4 Req.)	S26824
810	Pipe Plug, 1/8" NPT (2 Req.)	S23714
832	Sheave	S05375

**Table I**

B/M No.	Drive Type	Shaft No.	Impeller	Impeller Diameter
B56415S	Coupling - CW	S16578	H05539	5.00"
B07005S	Belt - CW	S06397	H05539	5.00"



# TYPE "B" SINGLE STAGE CENTRIFUGAL PUMP Belt/Coupling Drive

Section	B/C
Page	40.1
Date	January 1, 2004
Supersedes 6/1/96	

**CAST IRON IMPELLER**

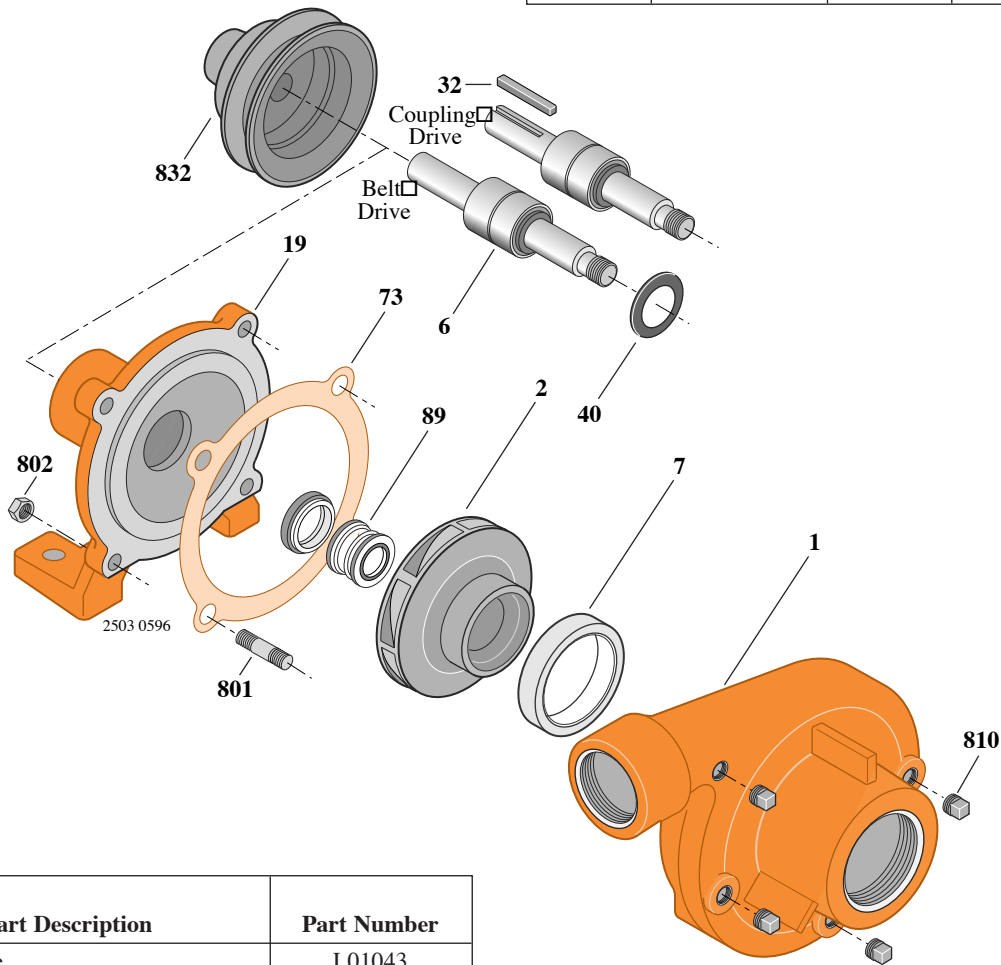
**B1-1/2MRS**

**Threaded Case (NPT)**

**Mechanical Seal Construction**

**TABLE I**

B/M No.	Drive Type	Shaft No.	Impeller	Impeller Diameter
<b>B56416</b>	Coupling - CW	S16578	M01039	4.00"
<b>B02482</b>	Belt - CW	S06397	M01039	4.00"



Item No.	Part Description	Part Number
1	Case, Volute	L01043
2	Impeller	See Table I
6	Shaft Assembly	See Table I
7	Wear Ring	S03074
19	Frame	M02638
32	Key, 3/16 x 1"	S24151
40	Slinger, Water	S05222
73	Gasket, Case	S04728
89	Seal, Mechanical Shaft	S05645
801	Stud, 3/8-16x1-3/4" (4 Req.)	S23996
802	Nut, Hex 3/8-16 (4 Req.)	S23103
810	Pipe Plug, 1/8" NPT (3 Req.)	S23714
832	Sheave	S05375



# TYPE "B" SINGLE STAGE CENTRIFUGAL PUMP Belt/Coupling Drive

Section	B/C
Page	50.1
Date	January 1, 2004
Supersedes 6/1/96	

**CAST IRON IMPELLER**

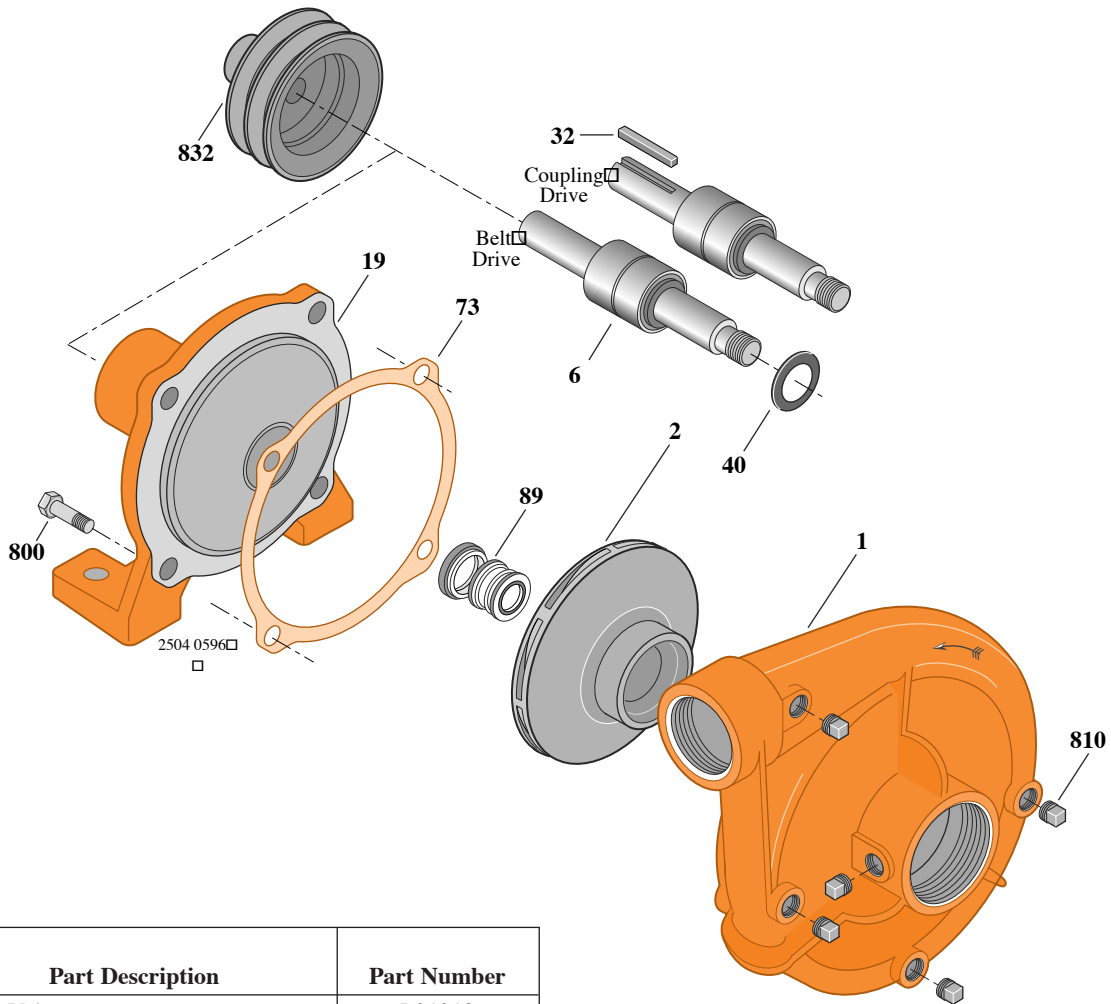
**B1-1/2TRLS**

**Threaded Case (NPT)**

**Mechanical Seal Construction**

**TABLE I**

B/M No.	Drive Type	Shaft No.	Impeller	Impeller Diameter
<b>B56417</b>	Coupling - CW	S17858	S07368	6.50"
<b>B03539</b>	Belt - CW	S06402	S07368	6.50"



Item No.	Part Description	Part Number
1	Case, Volute	L01018
2	Impeller	See Table I
6	Shaft Assembly	See Table I
19	Frame	L01530
32	Key, 3/16 x 1"	S24151
40	Slinger, Water	S21906
73	Gasket, Case	S04757
89	Seal, Mechanical Shaft	S06405
800	Capscrew, 1/2-13x1" (4 Req.)	S26912
810	Pipe Plug, 1/4" NPT (5 Req.)	S23715
832	Sheave	S06407



# TYPE "B" SINGLE STAGE CENTRIFUGAL PUMP Belt/Coupling Drive

Section	B/C
Page	50.2
Date	January 1, 2004
Supersedes/New	

**BRONZE IMPELLER**

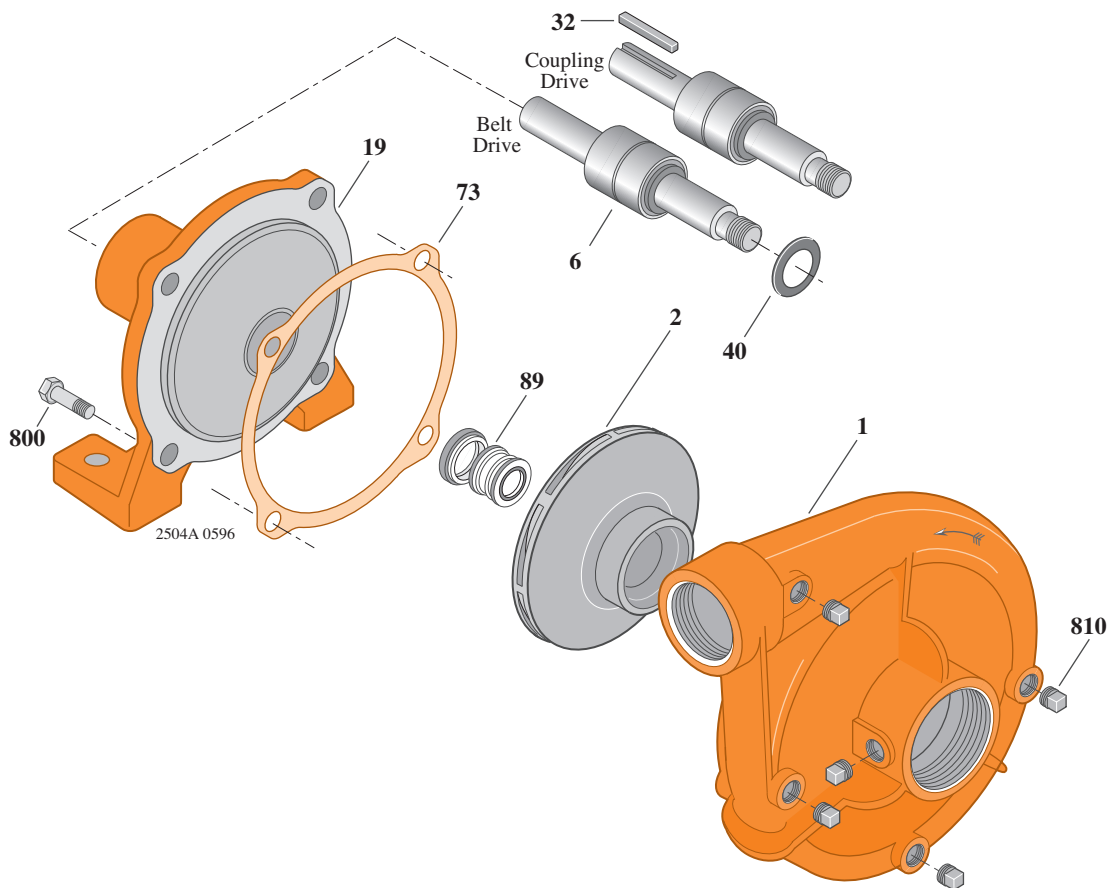
**B1-1/2TRLS**

**Threaded Case (NPT)**

**Mechanical Seal Construction**

**TABLE I**

B/M No.	Drive Type	Shaft No.	Impeller	Impeller Diameter
<b>B74361</b>	Coupling - CW	S17858	L08149	6.50"



Item No.	Part Description	Part Number
1	Case, Volute	L01018
2	Impeller	See Table I
6	Shaft Assembly	See Table I
19	Frame	L01530
32	Key, 3/16 x 1"	S24151
40	Slinger, Water	S21906
73	Gasket, Case	S04757
89	Seal, Mechanical Shaft	S06405
800	Capscrew, 1/2-13x1" (4 Req.)	S26912
810	Pipe Plug, 1/4" NPT (5 Req.)	S23715



# TYPE "B" SINGLE STAGE CENTRIFUGAL PUMP Belt/Coupling Drive

Section	B/C
Page	60.1
Date	January 1, 2004
Supersedes 6/1/96	

**CAST IRON IMPELLER**

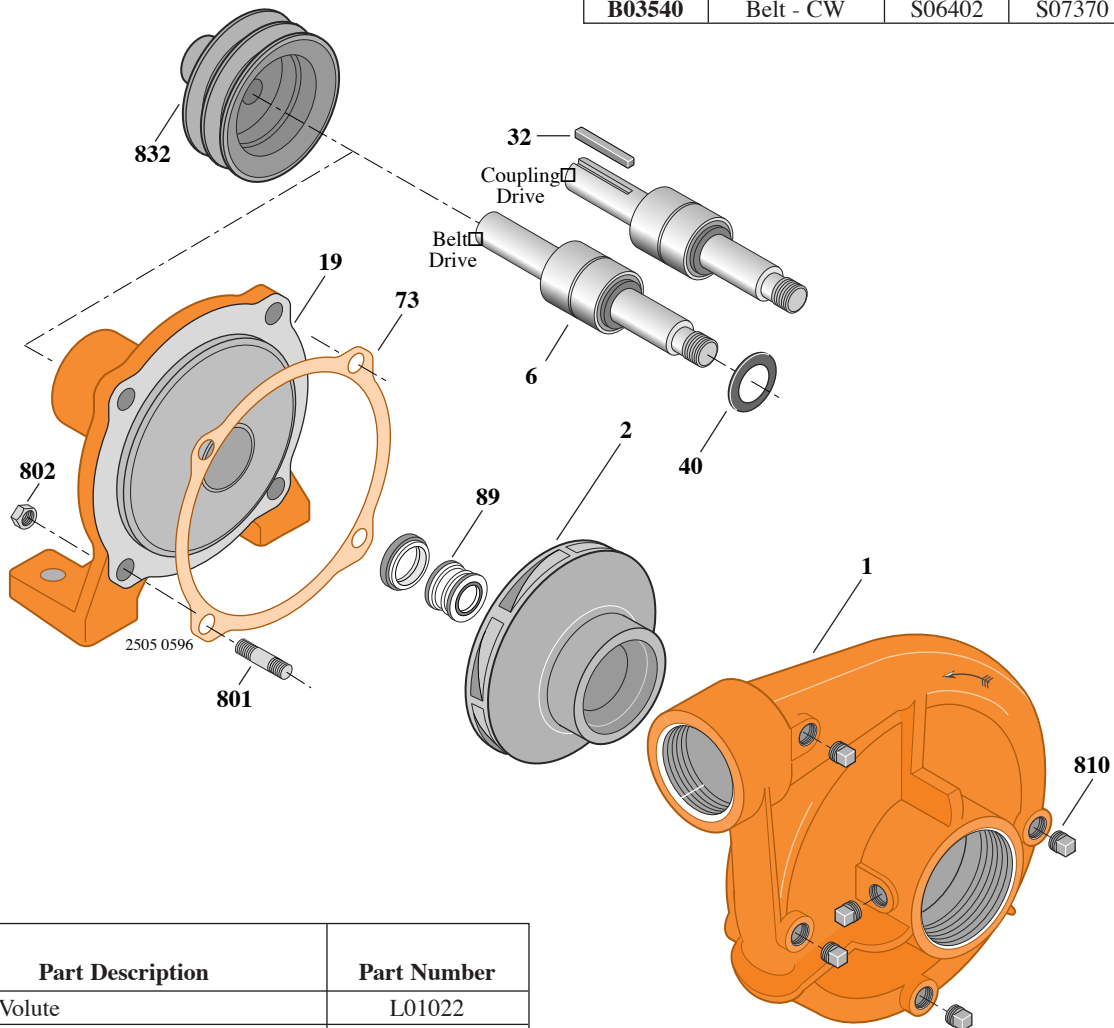
**B2TRMS**

**Threaded Case (NPT)**

**Mechanical Seal Construction**

**TABLE I**

B/M No.	Drive Type	Shaft No.	Impeller	Impeller Diameter
<b>B56418</b>	Coupling - CW	S17858	S07370	6.50"
<b>B03540</b>	Belt - CW	S06402	S07370	6.50"



Item No.	Part Description	Part Number
1	Case, Volute	L01022
2	Impeller	See Table I
6	Shaft Assembly	See Table I
19	Frame	L01530
32	Key, 3/16 x 1"	S24151
40	Slinger, Water	S21906
73	Gasket, Case	S04757
89	Seal, Mechanical Shaft	S06405
801	Stud, 1/2-16 (4 Req.)	S24043
802	Nut, Hex 1/2-13 (4 Req.)	S23107
810	Pipe Plug, 1/4" NPT (5 Req.)	S23715
832	Sheave	S06407



# TYPE "B" SINGLE STAGE CENTRIFUGAL PUMP Belt/Coupling Drive

Section	B/C
Page	70.1
Date	January 1, 2004
Supersedes 6/1/96	

**CAST IRON IMPELLER**

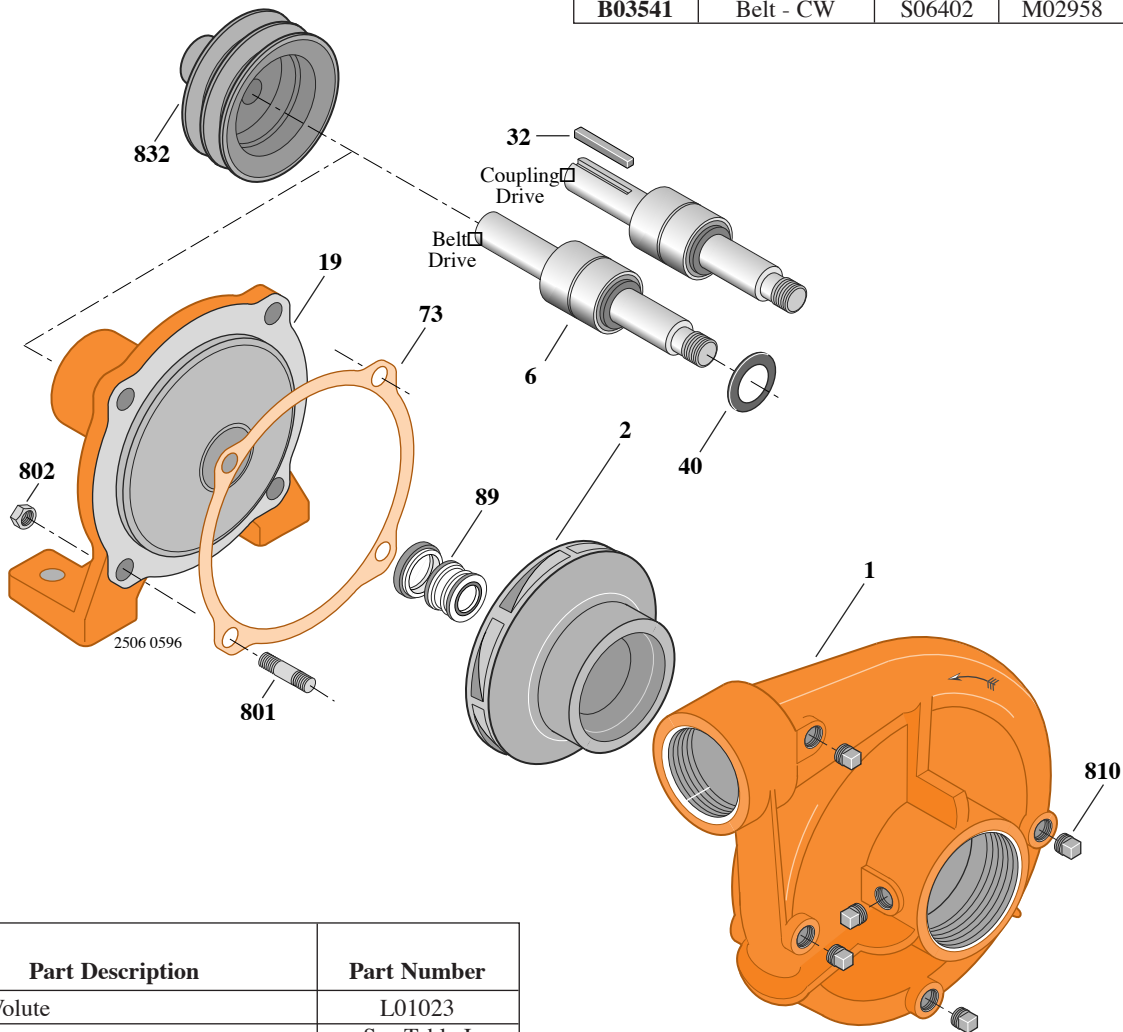
**B2-1/2TRMS**

**Threaded Case (NPT)**

**Mechanical Seal Construction**

**TABLE I**

B/M No.	Drive Type	Shaft No.	Impeller	Impeller Diameter
<b>B56419</b>	Coupling - CW	S17858	M02958	6.50"
<b>B03541</b>	Belt - CW	S06402	M02958	6.50"



Item No.	Part Description	Part Number
1	Case, Volute	L01023
2	Impeller	See Table I
6	Shaft Assembly	See Table I
19	Frame	L01530
32	Key, 3/16 x 1"	S24151
40	Slinger, Water	S21906
73	Gasket, Case	S04757
89	Seal, Mechanical Shaft	S06405
801	Stud, 1/2-13x1-1/2" (4 Req.)	S24043
802	Nut, Hex 1/2-13 (4 Req.)	S23107
810	Pipe Plug, 1/4" NPT (5 Req.)	S23715
832	Sheave	S06407



# TYPE "B" SINGLE STAGE CENTRIFUGAL PUMP Belt/Coupling Drive

Section	B/C
Page	80.1
Date	January 1, 2004
Supersedes 6/1/96	

**CAST IRON IMPELLER**

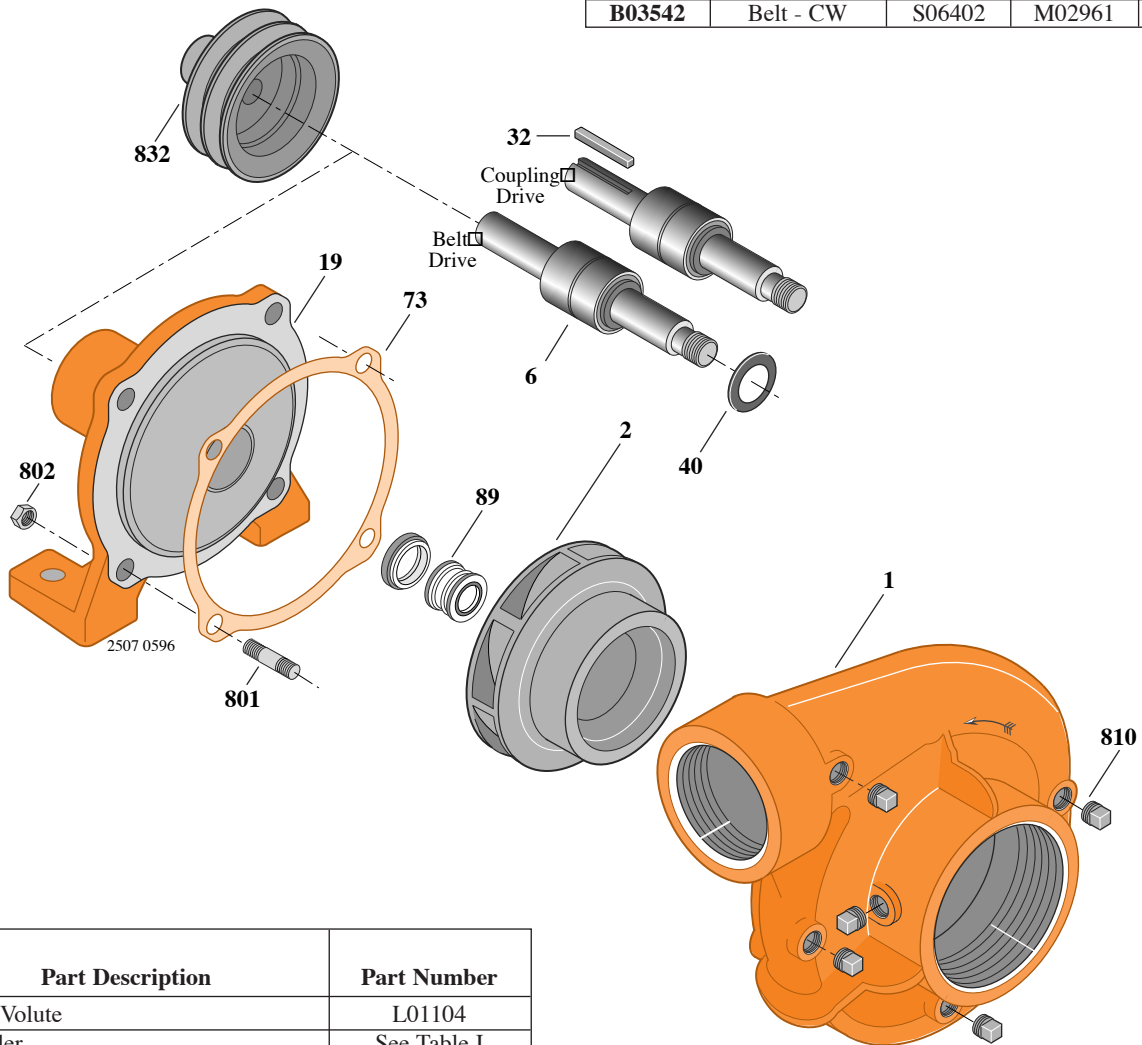
**B3TRMS**

Threaded Case (NPT)

Mechanical Seal Construction

**TABLE I**

B/M No.	Drive Type	Shaft No.	Impeller	Impeller Diameter
<b>B56420</b>	Coupling - CW	S17858	M02961	6.50"
<b>B03542</b>	Belt - CW	S06402	M02961	6.50"



Item No.	Part Description	Part Number
1	Case, Volute	L01104
2	Impeller	See Table I
6	Shaft Assembly	See Table I
19	Frame	L01530
32	Key, 3/16 x 1"	S24151
40	Slinger, Water	S21906
73	Gasket, Case	S04757
89	Seal, Mechanical Shaft	S06405
801	Stud, 1/2-13 (4 Req.)	S24043
802	Nut, Hex 1/2-13 (4 Req.)	S23107
810	Pipe Plug, 1/4" NPT (5 Req.)	S23715
832	Sheave	S06407

Order Online: [www.PumpCatalog.com](http://www.PumpCatalog.com)

Form No. S4855BK