

End Suction Centrifugal Pumps

Specifications:

SUCTION/DISCHARGE.....2" (51mm) NPT Suction,
2" (51mm) 125 lb Flange Discharge.
Discharge can be placed in 8 different
locations depending on piping requirements.

LIQUID TEMPERATURE180°F (82°C) Continuous

BODYCast Iron ASTM, Class 30, with Air Vent,
Vacuum Pressure and Drain Plugs

PEDESTAL.....Cast Iron ASTM, Class 30

IMPELLER: DesignEnclosed Type, Dynamically Balanced,
ISO G6.3
Material81-3-7-9 Bronze

WEAR RING.....Teflon "U" Cup

SHAFT.....Steel

SHAFT SLEEVEBronze

HARDWARESteel

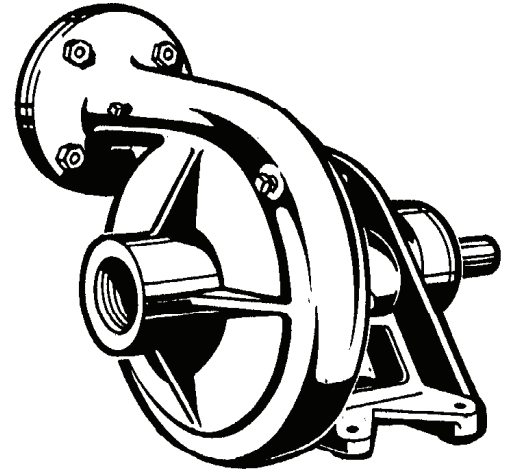
PAINTAir Dry Enamel

SEAL: *Design*Single Mechanical
LubricationSelf Lubrication
MaterialRotating Faces - Carbon
Stationary Faces - Ni-Resist
Elastomer - Buna-N
Hardware -300 Series Stainless

BEARING-PUMP END:
DesignSingle Row, Ball
LubricationGrease, Factory
LoadRadial & Thrust

BEARING-DRIVE END:
DesignDouble Row, Ball,
LubricationGrease, Factory
Load.....Radial & Thrust

OPTIONAL EQUIPMENT.....Discharge Check Valve, Hand Primer,
Base & OSHA Coupling Guard,
Flex Coupling, Strainer



Model: 2020HCU

DESCRIPTION:

THESE PUMPS ARE SUITABLE FOR GENERAL INDUSTRIAL USE SUCH AS LIQUID TRANSFER OR AS BOOSTER PUMPS.



WARNING:

CANCER AND REPRODUCTIVE HARM -
WWW.P65WARNINGS.CA.GOV

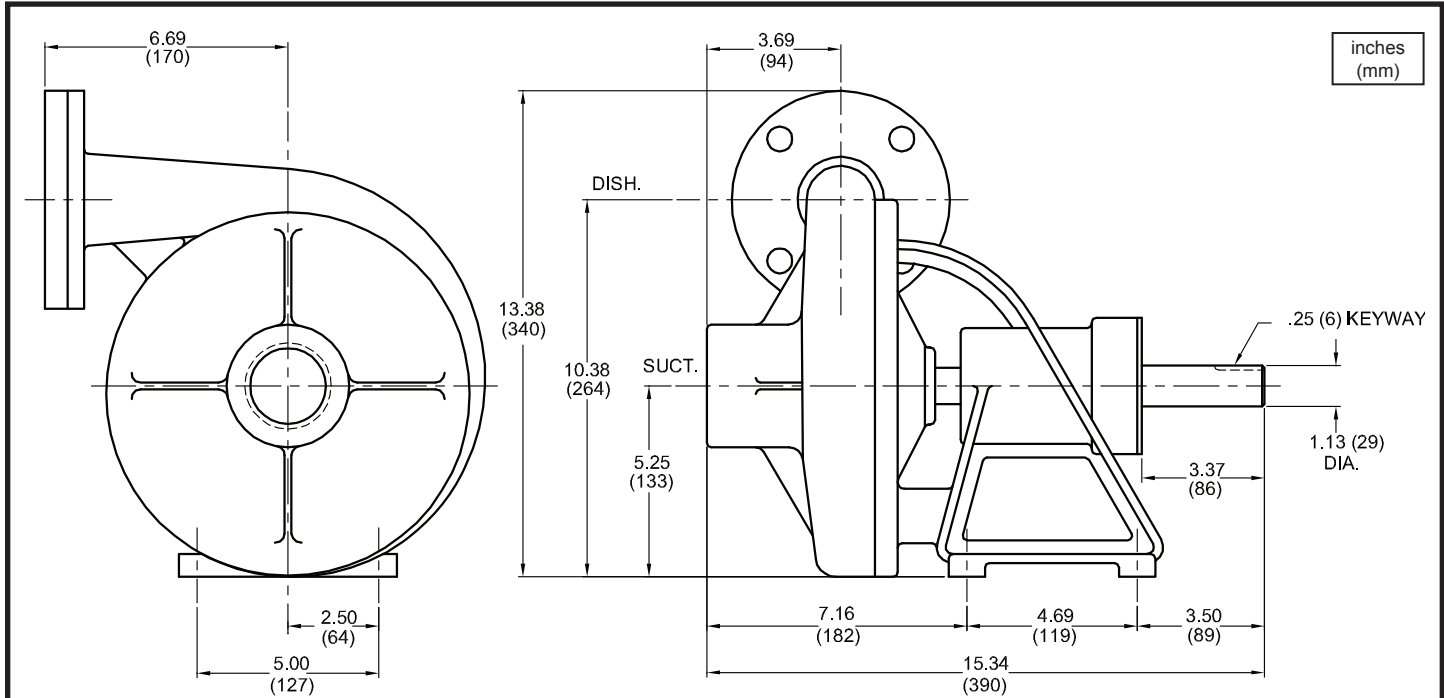
Model 2020HCU

Universal Drive

BARNES®

www.cranepumps.com

End Suction Centrifugal Pumps



MODEL NO	PART NO	WEIGHT LBS. (kg)	PEI _{CL}	
2020HCUF0C2	029676	74 (33.6)	0.97	

IMPORTANT !

- 1.) DO NOT USE FOR PUMPING FLUIDS WITH A FLASH POINT OF LESS THAN 100°F.
- 2.) MAKE CERTAIN THAT PUMP AND/OR MOTOR ASSEMBLY AND CONTROLS HAVE THE APPROPRIATE RATINGS FOR THE GIVEN APPLICATION AREA CLASSIFICATION. (ie DIVISION I, AGENCY LISTING ETC.)

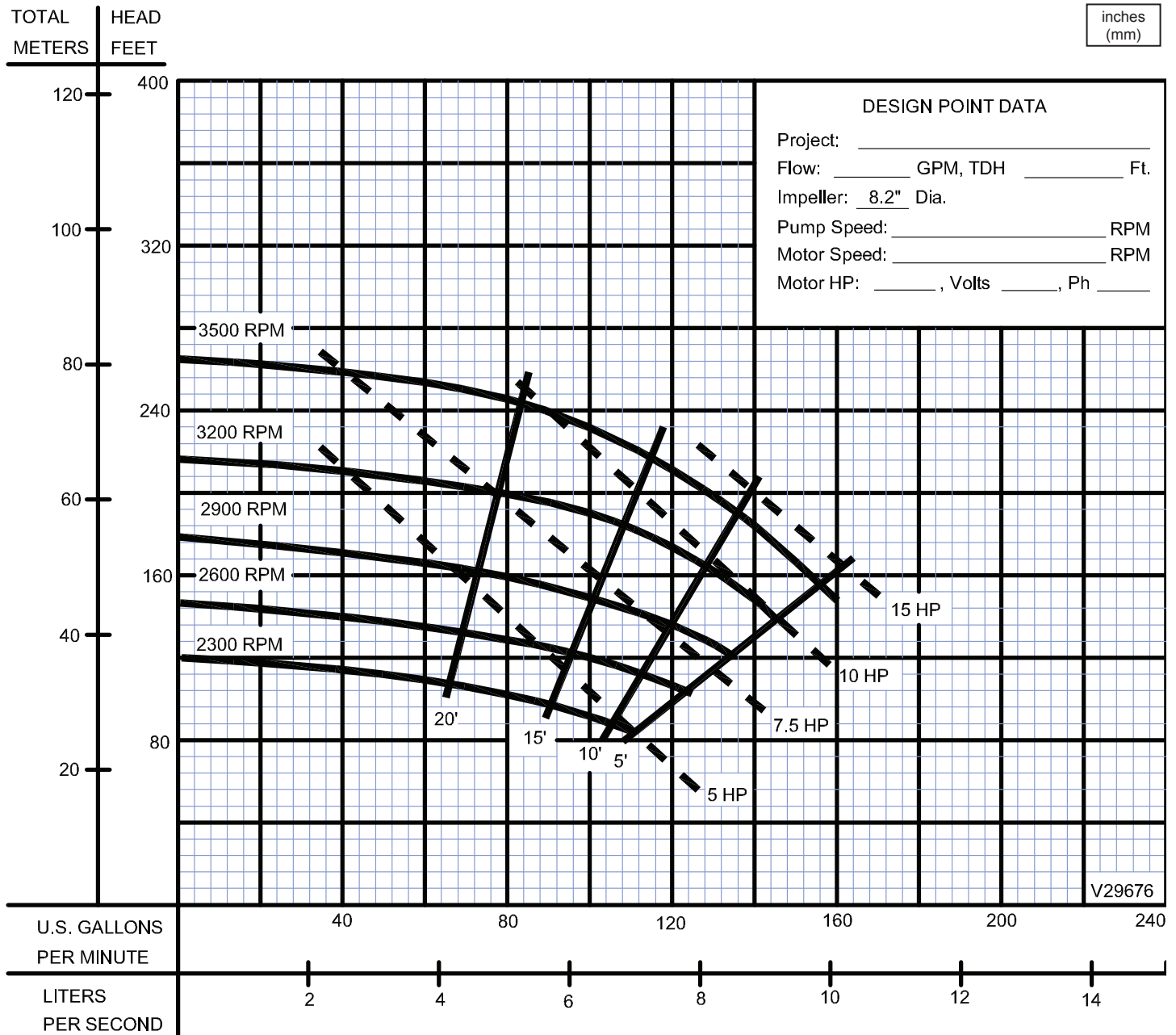
SECTION 5B
PAGE 2
DATE 4/19

CRANE
A Crane Co. Company

PUMPS & SYSTEMS

USA: (937) 778-8947 • Canada: (905) 457-6223 • International: (937) 615-3598

End Suction Centrifugal Pumps



DESIGN POINT DATA

Project: _____
 Flow: _____ GPM, TDH _____ Ft.
 Impeller: 8.2" Dia.
 Pump Speed: _____ RPM
 Motor Speed: _____ RPM
 Motor HP: _____, Volts _____, Ph _____

Testing is performed with water, specific gravity 1.0 @ 68° F @ (20°C), other fluids may vary performance

Model 2020HCU

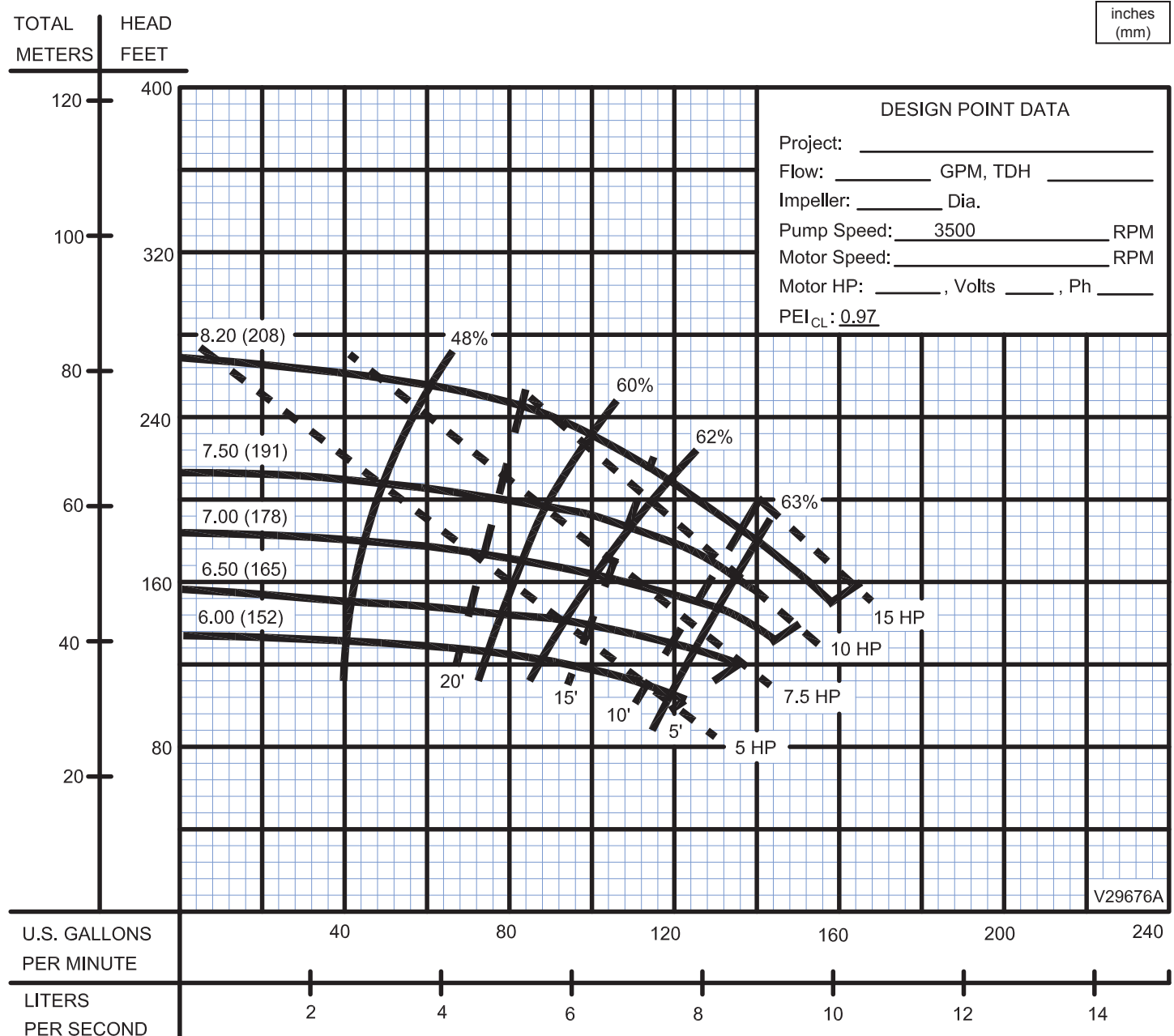
Performance Curve

Universal Drive, Various Impeller Diameters, 3500 RPM

BARNES®

www.cranepumps.com

End Suction Centrifugal Pumps



Testing is performed with water, specific gravity 1.0 @ 68° F @ (20°C), other fluids may vary performance

Order Online: www.PumpCatalog.com

SECTION 5B
 PAGE 4
 DATE 4/19

CRANE
 A Crane Co. Company

PUMPS & SYSTEMS

USA: (937) 778-8947 • Canada: (905) 457-6223 • International: (937) 615-3598