

## ELECTRONIC PRICING CATALOG NAVIGATION INSTRUCTIONS



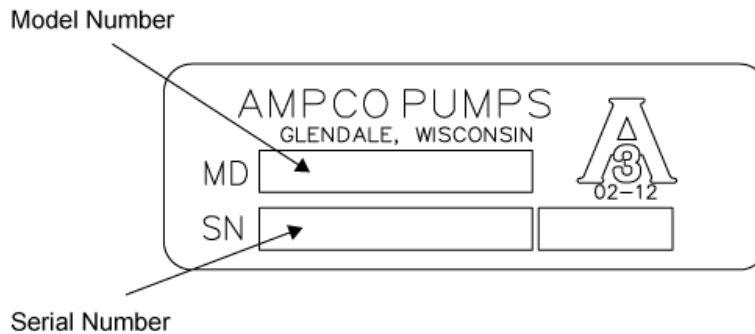
Questions? Call **1-800-810-1053**

### Select by Pump Model:

If you know what pump you are looking for, you can use the 'Bookmarks' tab on the left and select the pump model which you are trying to access. Clicking in the Bookmark will take you to the page you are looking for.

If there are no tabs on the left (bookmarks, signatures, layers, pages), you can use the top menu to make them appear. Goto VIEW > SHOW/HIDE > NAVIGATION PANES > BOOKMARKS and they will appear.

**Sample Pump ID Tag:** See the illustration below for help identifying the location of the Model number and Serial number on the pump ID tag.



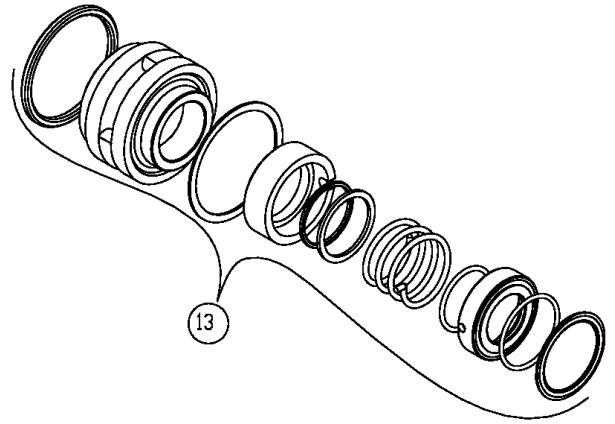
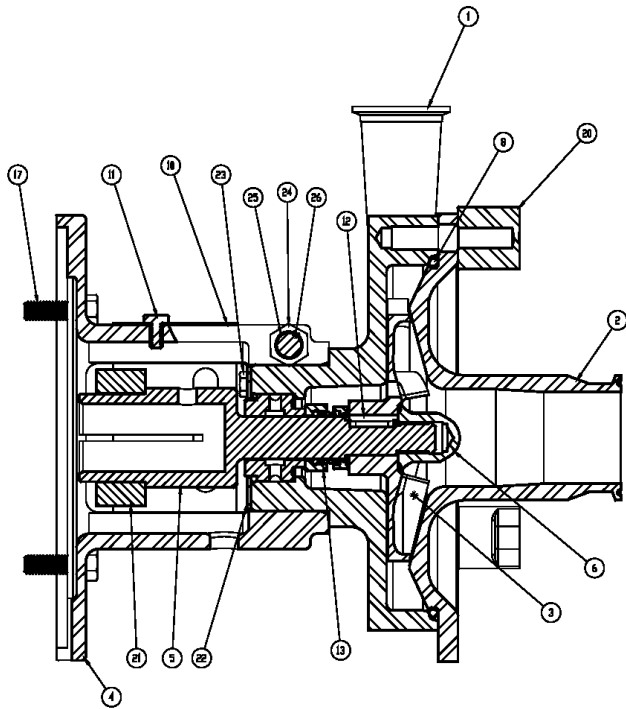
*Please reference your serial number when ordering replacement parts.*

### Select by Part Number:

If you know an exact part number you are looking for, simply hit CONTROL+F and that will bring up the find feature. You may also use the menu, goto EDIT > FIND to bring up the same feature.

Type in your part number and it will show you all instances of that item in the catalog. If you only know some of the part number (i.e. SP328), that will also help and show all occurrences of those numbers together.

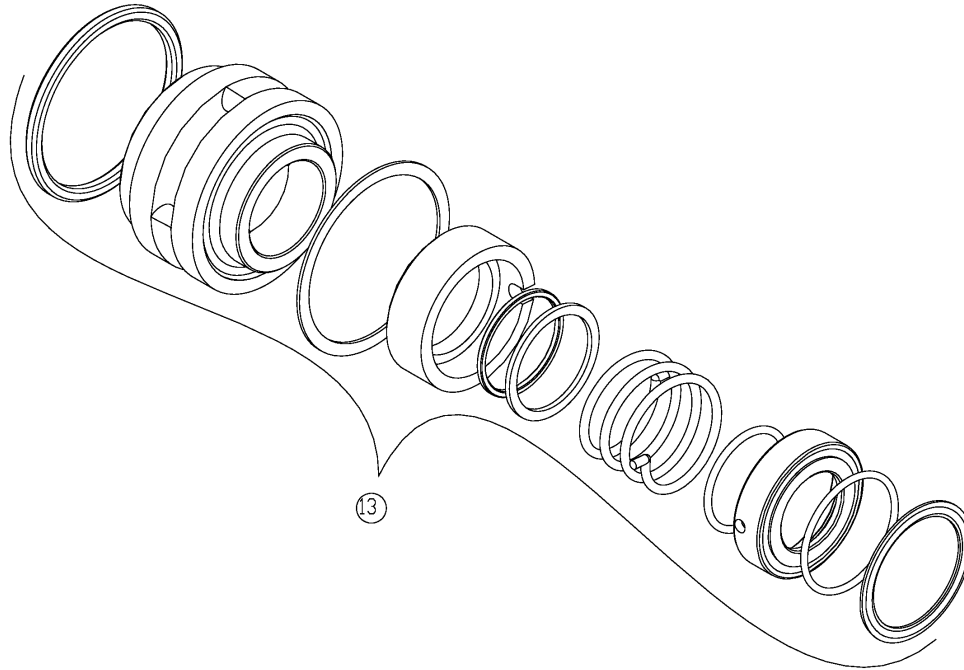
Be advised that partials of part number can return a large amount of results.



**Exploded View**

*Optional Items Shown in ITALICS*

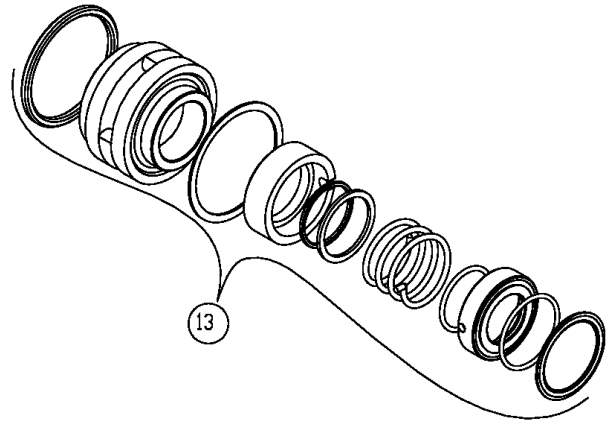
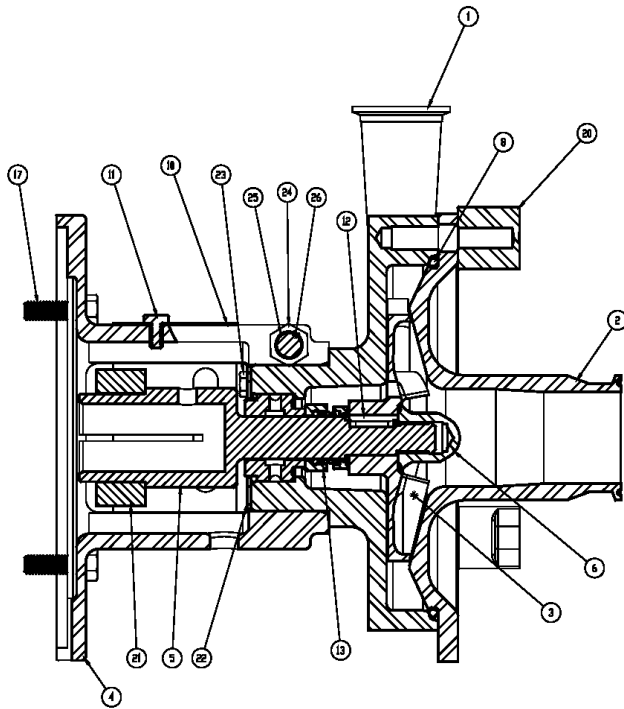
Ref #	Component Item No.	Description	Qty Per
1	SV04610000	CASING,56C/210TC,1-1/2 CLMP LC R00	1
2	SC04620109	COVER,R00,1-1/2 CLAMP L SERIES	1
	<i>SC04620279</i>	<i>COVER,R00,2 CLAMP L SERIES</i>	<i>1</i>
3	SI04630037	IMPELLER,R00,99/18,99MAX LC/LD	1
4	SX10600087	ADAPTER,56C-140TC FRAME LC	1
5	SX00000134	STUBSHAFT,140TC,7/8 W/KEY LC	1
6	SI54000000	NUT,633,IMP,56C-210TC LC	1
8	GX80000331	GASKET,R00,CVR, BUNA LC	1
	<i>GX80000060</i>	<i>GASKET,R00,CVR,EPDM LC</i>	<i>1</i>
	<i>GX80000353</i>	<i>GASKET,R00,CVR,VIT LC</i>	<i>1</i>
10	SX10614087	GUARD,SHAFT,56C-140TC,ADPT +BOLT LC	1
11	GX48104020	CAPSCRW,HX,1/4-28X3/8,18-8SS HX HD	1
12	SX15000002	KEY,56-280TSC LC	1
13	GS2600002-SC	KIT,633,SEAL,C/N/V LC	1
	<i>GS2600002-SC/TC</i>	<i>KIT,633,SEAL,C/N/V,TAPR CARBN LC</i>	<i>1</i>
	<i>GS2600002-CO</i>	<i>KIT,633,SEAL,CO/N/V LC</i>	<i>1</i>
	<i>GS2600005</i>	<i>KIT,633,SEAL,C/C/N LC</i>	<i>1</i>
	<i>GS2600135</i>	<i>KIT,633,SEAL,FR/C/N LC</i>	<i>1</i>
17	GX5077100	CAPSCRW,HX,3/8-16X1,18-8SS HX HD	4
20	SX03000020	NUT,WING LC SERIES	2
21	SX18000013	COLLAR,56C/140TC,SHAFT L SEE ITEM NOTES	1
22	SX48000021	RING,RETAINING,633 SEAL	1
23	GX48104020	CAPSCRW,HX,1/4-28X3/8,18-8SS HX HD	4
24	GX10610105	NUT,HEX,1/2-13,18-8SS L SERIES	1
25	GX10610100	CAPSCRW,HX,1/2-13X3-1/2,18-8SS HX HD	1
26	GX10610405	WASHER,LCK,1/2,18-8SS L SERIES	1



**Exploded View - Seal Only**

*Optional Items Shown in ITALICS*

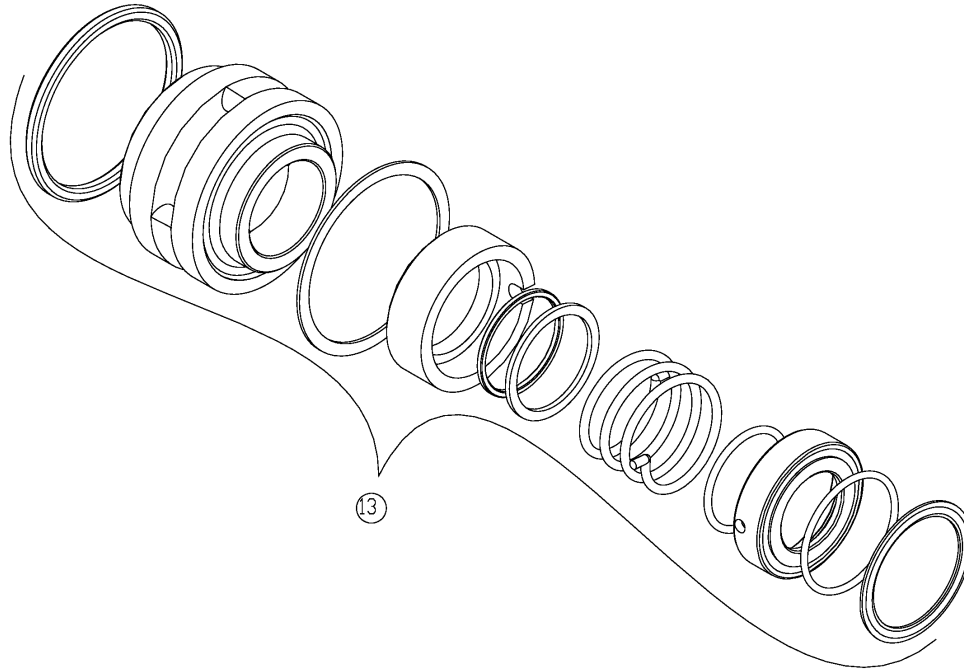
Ref #	Component Item No.	Description	Qty Per
13	<b>GS2600002-SC</b>	<b>KIT,633,SEAL,C/N/V LC</b>	<b>1</b>
	<i>GS2600002-SC/TC</i>	<i>KIT,633,SEAL,C/N/V,TAPR CARBN LC</i>	<i>1</i>
	<i>GS2600002-CO</i>	<i>KIT,633,SEAL,CO/N/V LC</i>	<i>1</i>
	<i>GS2600005</i>	<i>KIT,633,SEAL,C/C/V LC</i>	<i>1</i>
	<i>GS2600135</i>	<i>KIT,633,SEAL,FR/C/V LC</i>	<i>1</i>



**Exploded View**

*Optional Items Shown in ITALICS*

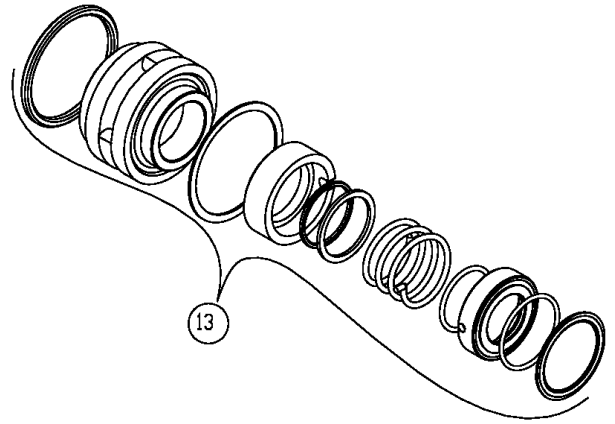
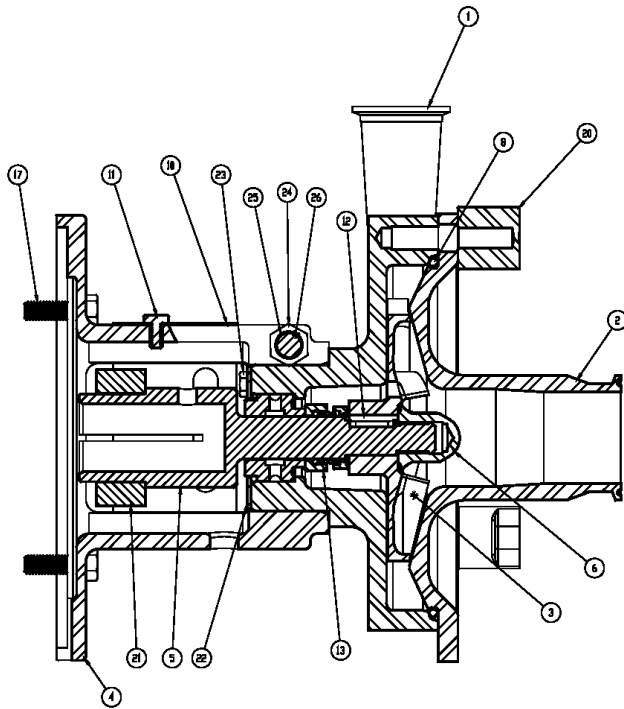
Ref #	Component Item No.	Description	Qty Per
1	SV14610000	CASING,56C-210TC,1-1/2 CLMP LC R10	1
2	SC14620258	COVER,R10,2 CLAMP L SERIES	1
	<i>SC14620421</i>	<i>COVER,R10,2-1/2 CLAMP L SERIES</i>	<i>1</i>
3	SI14630047	IMPELLER,R10,130/18,130MAX LC/LD	1
4	SX10600087	ADAPTER,56C-140TC FRAME LC	1
5	SX00000134	STUBSHAFT,140TC,7/8 W/KEY LC	1
6	SI54000000	NUT,633,IMP,56C-210TC LC	1
8	GX80000332	GASKET,R10,CVR,BUNA LC	1
	<i>GX80000357</i>	<i>GASKET,R10,CVR,EPDM LC</i>	<i>1</i>
	<i>GX80000017</i>	<i>GASKET,R10,CVR,VIT LC</i>	<i>1</i>
10	SX10614087	GUARD,SHAFT,56C-140TC,ADPT +BOLT LC	1
11	GX48104020	CAPSCRW,HX,1/4-28X3/8,18-8SS HX HD	1
12	SX15000002	KEY,56-280TSC LC	1
13	GS2600002-SC	KIT,633,SEAL,C/N/V LC	1
	<i>GS2600002-SC/TC</i>	<i>KIT,633,SEAL,C/N/V,TAPR CARBN LC</i>	<i>1</i>
	<i>GS2600002-CO</i>	<i>KIT,633,SEAL,CO/N/V LC</i>	<i>1</i>
	<i>GS26000005</i>	<i>KIT,633,SEAL,C/C/N LC</i>	<i>1</i>
	<i>GS2600135</i>	<i>KIT,633,SEAL,FR/C/V LC</i>	<i>1</i>
17	GX5077100	CAPSCRW,HX,3/8-16X1,18-8SS HX HD	4
20	SX03000020	NUT,WING LC SERIES	2
21	SX18000013	COLLAR,56C/140TC,SHAFT L SEE ITEM NOTES	1
22	SX48000021	RING,RETAINING,633 SEAL	1
23	GX48104020	CAPSCRW,HX,1/4-28X3/8,18-8SS HX HD	4
24	GX10610105	NUT,HEX,1/2-13,18-8SS L SERIES	1
25	GX10610100	CAPSCRW,HX,1/2-13X3-1/2,18-8SS HX HD	1
26	GX10610405	WASHER,LCK,1/2,18-8SS L SERIES	1



**Exploded View - Seal Only**

*Optional Items Shown in ITALICS*

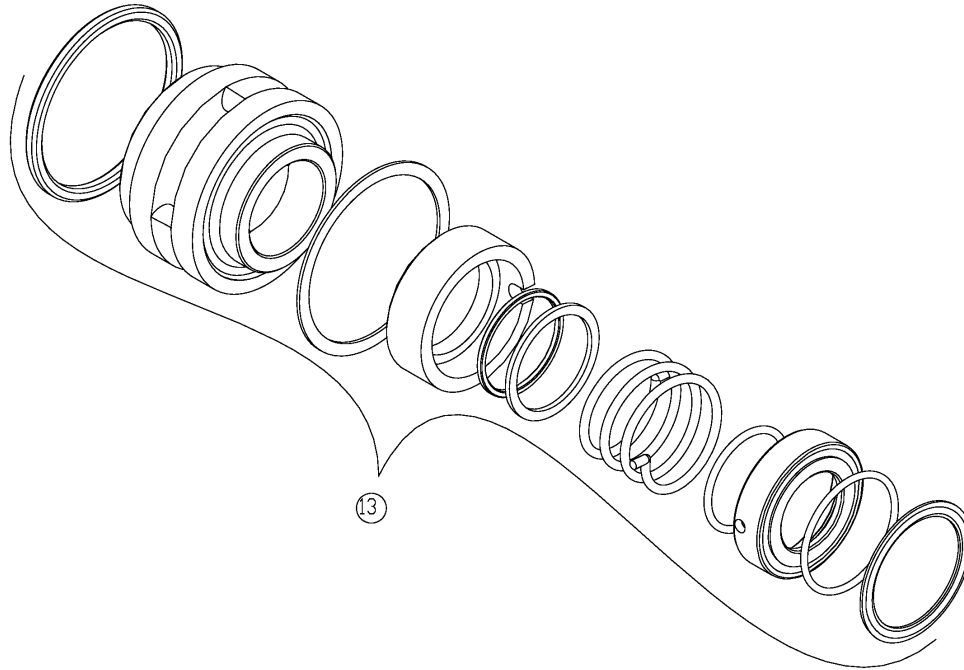
Ref #	Component Item No.	Description	Qty Per
13	<b>GS2600002-SC</b>	<b>KIT,633,SEAL,C/N/V LC</b>	<b>1</b>
	<i>GS2600002-SC/TC</i>	<i>KIT,633,SEAL,C/N/V,TAPR CARBN LC</i>	<i>1</i>
	<i>GS2600002-CO</i>	<i>KIT,633,SEAL,CO/N/V LC</i>	<i>1</i>
	<i>GS2600005</i>	<i>KIT,633,SEAL,C/C/V LC</i>	<i>1</i>
	<i>GS2600135</i>	<i>KIT,633,SEAL,FR/C/V LC</i>	<i>1</i>



**Exploded View**

*Optional Items Shown in ITALICS*

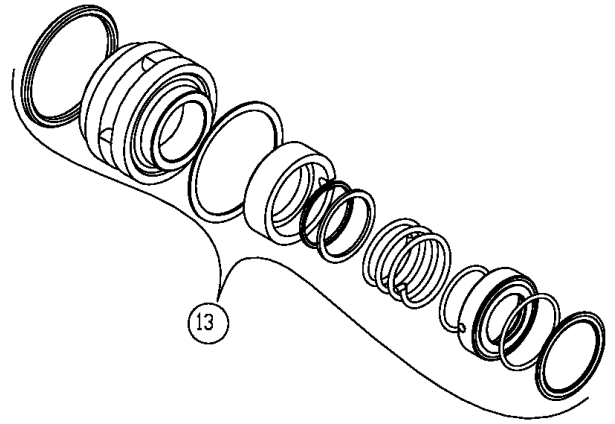
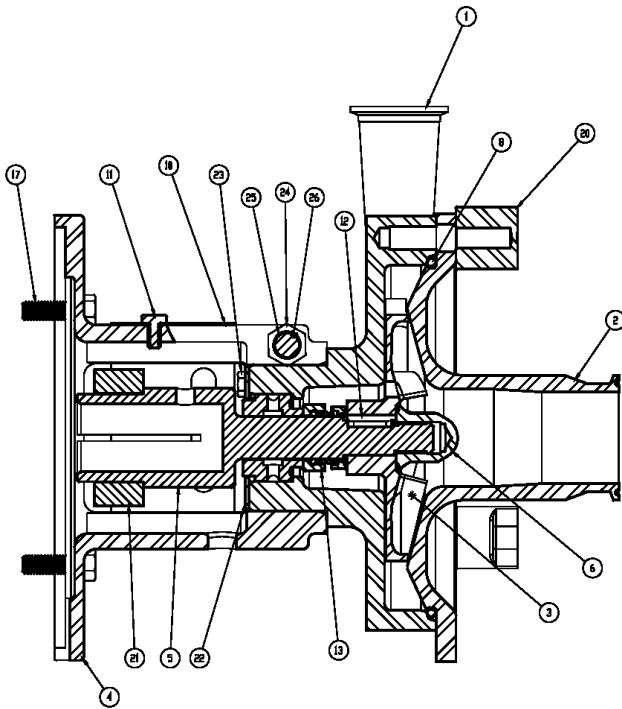
Ref #	Component Item No.	Description	Qty Per
1	SV14610000	CASING,56C-210TC,1-1/2 CLMP LC R10	1
2	SC14620258	COVER,R10,2 CLAMP L SERIES	1
	<i>SC14620421</i>	<i>COVER,R10,2-1/2 CLAMP L SERIES</i>	<i>1</i>
3	SI14630047	IMPELLER,R10,130/18,130MAX LC/LD	1
4	SX10600007	ADAPTER,180/210TC FRAME LC	1
5	SX00000135	STUBSHAFT,180TC,1-1/8 W/KEY LC	1
6	SI54000000	NUT,633,IMP,56C-210TC LC	1
8	GX80000332	GASKET,R10,CVR,BUNA LC	1
	<i>GX80000357</i>	<i>GASKET,R10,CVR,EPDM LC</i>	<i>1</i>
	<i>GX80000017</i>	<i>GASKET,R10,CVR,VIT LC</i>	<i>1</i>
10	SX10618007	GUARD,SHAFT,180-210TC ADPTR +BOLT SC	1
11	GX48104020	CAPSCRW,HX,1/4-28X3/8,18-8SS HX HD	1
12	SX15000002	KEY,56-280TSC LC	1
13	GS2600002-SC	KIT,633,SEAL,C/N/V LC	1
	<i>GS2600002-SC/TC</i>	<i>KIT,633,SEAL,C/N/V, TAPR CARBN LC</i>	<i>1</i>
	<i>GS2600002-CO</i>	<i>KIT,633,SEAL,CO/N/V LC</i>	<i>1</i>
	<i>GS26000005</i>	<i>KIT,633,SEAL,C/C/N LC</i>	<i>1</i>
	<i>GS26000135</i>	<i>KIT,633,SEAL,FR/C/N LC</i>	<i>1</i>
17	SC1710H-SS	CAPSCRW,HX,1/2-13X1,18-8SS HX HD	4
20	SX03000020	NUT,WING LC SERIES	2
21	SX18000014	COLLAR,180TC,SHAFT LC	1
22	SX48000021	RING,RETAINING,633 SEAL	1
23	GX48104020	CAPSCRW,HX,1/4-28X3/8,18-8SS HX HD	4
24	GX10610105	NUT,HEX,1/2-13,18-8SS L SERIES	1
25	GX10610100	CAPSCRW,HX,1/2-13X3-1/2,18-8SS HX HD	1
26	GX10610405	WASHER,LCK,1/2,18-8SS L SERIES	1



**Exploded View - Seal Only**

*Optional Items Shown in ITALICS*

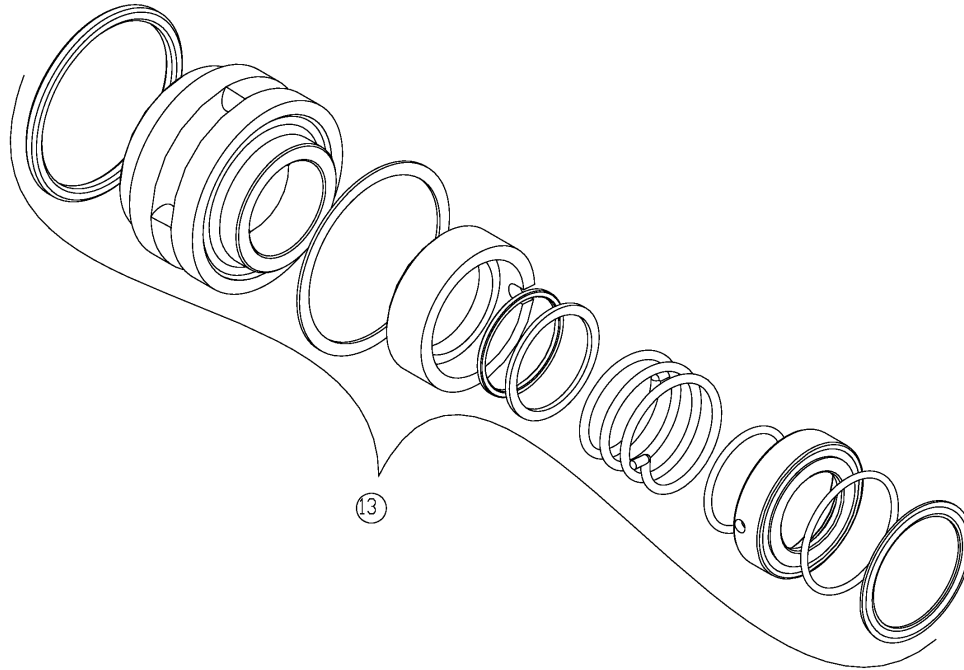
Ref #	Component Item No.	Description	Qty Per
13	<b>GS2600002-SC</b>	<b>KIT,633,SEAL,C/N/V LC</b>	<b>1</b>
	<i>GS2600002-SC/TC</i>	<i>KIT,633,SEAL,C/N/V,TAPR CARBN LC</i>	<i>1</i>
	<i>GS2600002-CO</i>	<i>KIT,633,SEAL,CO/N/V LC</i>	<i>1</i>
	<i>GS2600005</i>	<i>KIT,633,SEAL,C/C/V LC</i>	<i>1</i>
	<i>GS2600135</i>	<i>KIT,633,SEAL,FR/C/V LC</i>	<i>1</i>



**Exploded View**

*Optional Items Shown in ITALICS*

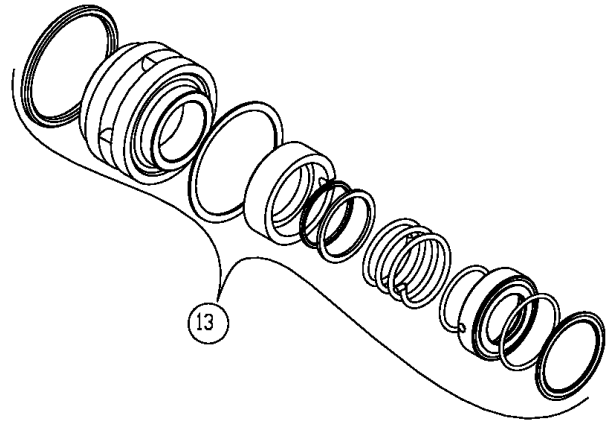
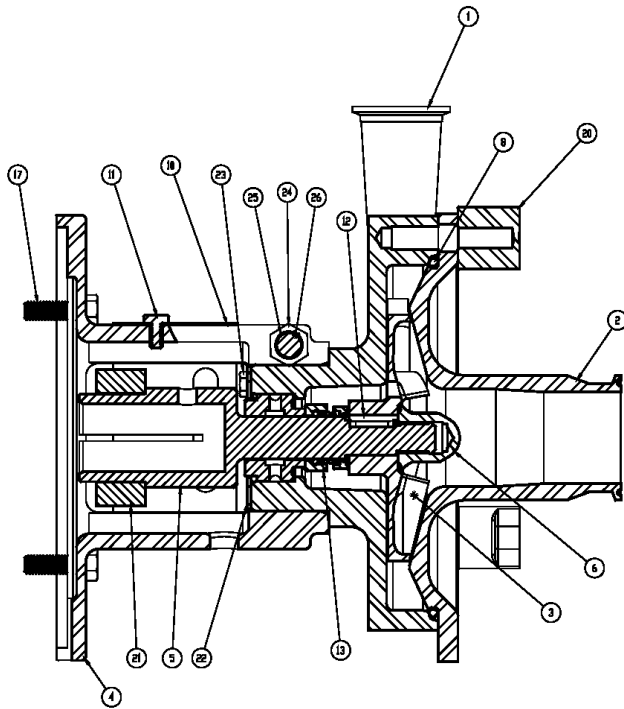
Ref #	Component Item No.	Description	Qty Per
1	SV14610000	CASING,56C-210TC,1-1/2 CLMP LC R10	1
2	SC14620258	COVER,R10,2 CLAMP L SERIES	1
	<i>SC14620421</i>	<i>COVER,R10,2-1/2 CLAMP L SERIES</i>	<i>1</i>
3	SI14630047	IMPELLER,R10,130/18,130MAX LC/LD	1
4	SX10600007	ADAPTER,180/210TC FRAME LC	1
5	SX00000136	STUBSHAFT,210TC,1-3/8 W/KEY LC	1
6	SI54000000	NUT,633,IMP,56C-210TC LC	1
8	GX80000332	GASKET,R10,CVR,BUNA LC	1
	<i>GX80000357</i>	<i>GASKET,R10,CVR,EPDM LC</i>	<i>1</i>
	<i>GX80000017</i>	<i>GASKET,R10,CVR,VIT LC</i>	<i>1</i>
10	SX10618007	GUARD,SHAFT,180-210TC ADPTR +BOLT SC	1
11	GX48104020	CAPSCRW,HX,1/4-28X3/8,18-8SS HX HD	1
12	SX15000002	KEY,56-280TSC LC	1
13	GS26000002-SC	KIT,633,SEAL,C/N/V LC	1
	<i>GS26000002-SC/TC</i>	<i>KIT,633,SEAL,C/N/V,TAPR CARBN LC</i>	<i>1</i>
	<i>GS26000002-CO</i>	<i>KIT,633,SEAL,CO/N/V LC</i>	<i>1</i>
	<i>GS26000005</i>	<i>KIT,633,SEAL,C/C/N LC</i>	<i>1</i>
	<i>GS2600135</i>	<i>KIT,633,SEAL,FR/C/N LC</i>	<i>1</i>
17	SC1710H-SS	CAPSCRW,HX,1/2-13X1,18-8SS HX HD	4
20	SX03000020	NUT,WING LC SERIES	2
21	SX18000015	COLLAR,210TC,SHAFT LC	1
22	SX48000021	RING,RETAINING,633 SEAL	1
23	GX48104020	CAPSCRW,HX,1/4-28X3/8,18-8SS HX HD	4
24	GX10610105	NUT,HEX,1/2-13,18-8SS L SERIES	1
25	GX10610100	CAPSCRW,HX,1/2-13X3-1/2,18-8SS HX HD	1
26	GX10610405	WASHER,LCK,1/2,18-8SS L SERIES	1



**Exploded View - Seal Only**

*Optional Items Shown in ITALICS*

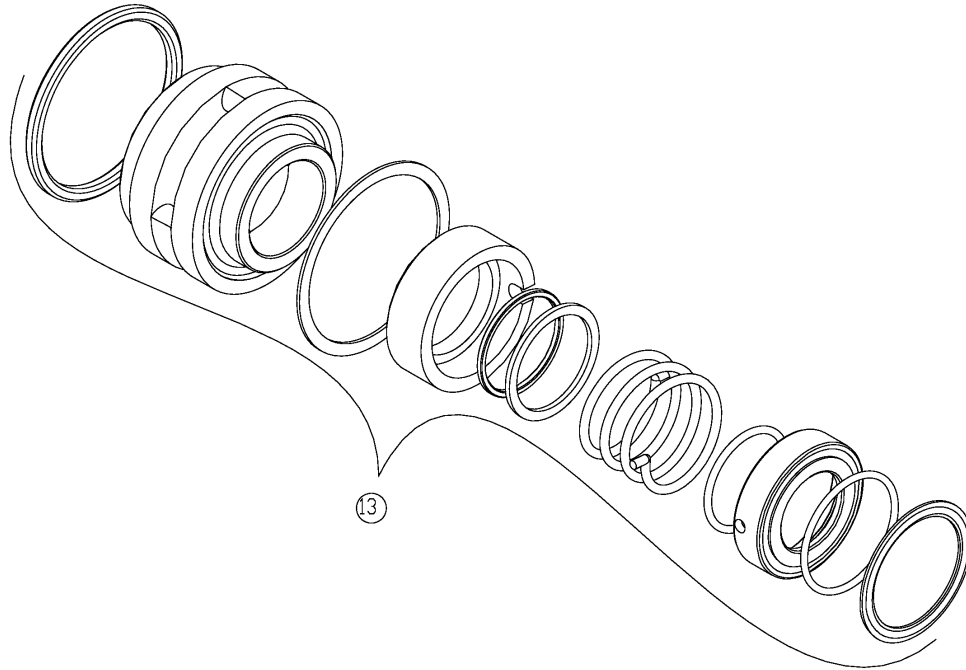
Ref #	Component Item No.	Description	Qty Per
13	<b>GS2600002-SC</b>	<b>KIT,633,SEAL,C/N/V LC</b>	<b>1</b>
	<i>GS2600002-SC/TC</i>	<i>KIT,633,SEAL,C/N/V,TAPR CARBN LC</i>	<i>1</i>
	<i>GS2600002-CO</i>	<i>KIT,633,SEAL,CO/N/V LC</i>	<i>1</i>
	<i>GS2600005</i>	<i>KIT,633,SEAL,C/C/V LC</i>	<i>1</i>
	<i>GS2600135</i>	<i>KIT,633,SEAL,FR/C/V LC</i>	<i>1</i>



**Exploded View**

*Optional Items Shown in ITALICS*

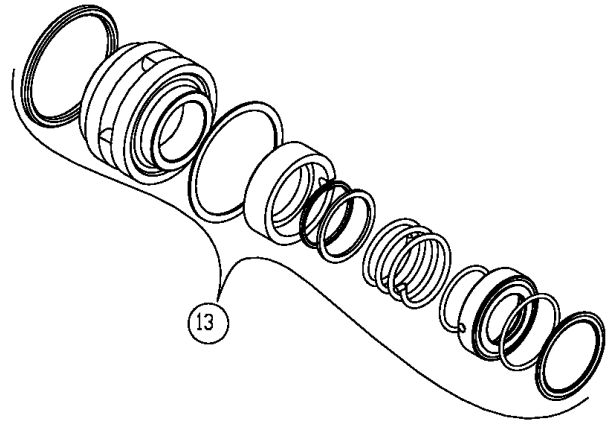
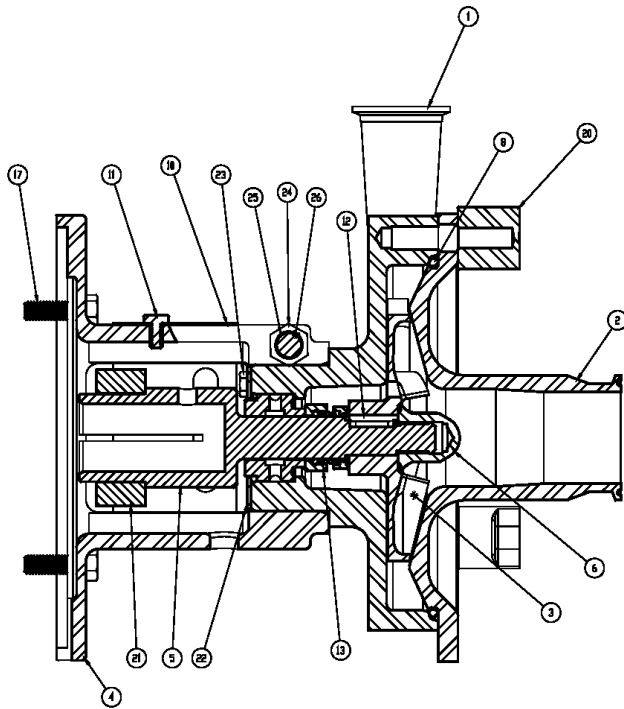
Ref #	Component Item No.	Description	Qty Per
1	SV70610000	CASING,180-210TC,2 CLMP LC R132,R140	1
2	SC44620279	COVER,R32/R40/R132,2-1/2 CLMP L SERIES	1
	SC44620432	COVER,R32/40/132/140,3 CLAMP L SERIES	1
3	SI70630243	IMPELLER,R140,205/18,205MAX LC/LD	1
4	SX10600087	ADAPTER,56C-140TC FRAME LC	1
5	SX00000134	STUBSHAFT,140TC,7/8 W/KEY LC	1
6	SI54000000	NUT,633,IMP,56C-210TC LC	1
8	GX80000337	O-RING,R32/40/132/140,CVR,BUNA LC	1
	GX80000349	GASKET,R32/40/132/140,CVR,EPDM LC	1
	GX80000338	GASKET,R32/40/132/R140,CVR,VIT LC	1
10	SX10614087	GUARD,SHAFT,56C-140TC,ADPT +BOLT LC	1
11	GX48104020	CAPSCRW,HX,1/4-28X3/8,18-8SS HX HD	1
12	SX15000002	KEY,56-280TSC LC	1
13	GS2600002-SC	KIT,633,SEAL,C/N/V LC	1
	GS2600002-SC/TC	KIT,633,SEAL,C/N/V, TAPR CARBN LC	1
	GS2600002-CO	KIT,633,SEAL,CO/N/V LC	1
	GS2600005	KIT,633,SEAL,C/C/N LC	1
	GS2600135	KIT,633,SEAL,FR/C/N LC	1
17	GX5077100	CAPSCRW,HX,3/8-16X1,18-8SS HX HD	4
20	SX03000020	NUT,WING LC SERIES	5
21	SX18000013	COLLAR,56C/140TC,SHAFT L SEE ITEM NOTES	1
22	SX48000021	RING,RETAINING,633 SEAL	1
23	GX48104020	CAPSCRW,HX,1/4-28X3/8,18-8SS HX HD	4
24	GX10610105	NUT,HEX,1/2-13,18-8SS L SERIES	1
25	GX10610100	CAPSCRW,HX,1/2-13X3-1/2,18-8SS HX HD	1
26	GX10610405	WASHER,LCK,1/2,18-8SS L SERIES	1



**Exploded View - Seal Only**

*Optional Items Shown in ITALICS*

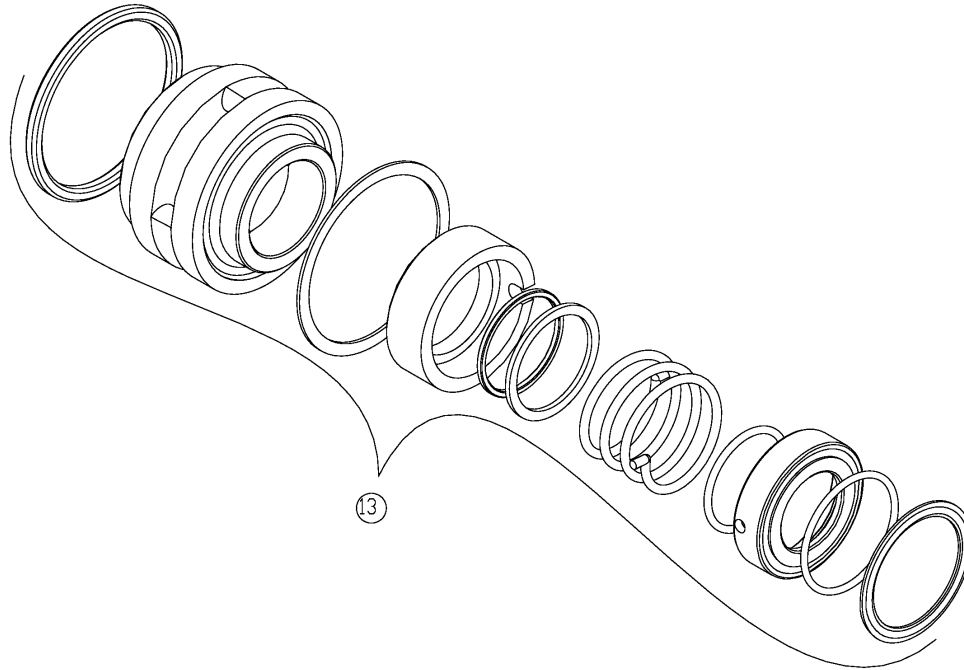
Ref #	Component Item No.	Description	Qty Per
13	<b>GS2600002-SC</b>	<b>KIT,633,SEAL,C/N/V LC</b>	<b>1</b>
	<i>GS2600002-SC/TC</i>	<i>KIT,633,SEAL,C/N/V,TAPR CARBN LC</i>	<i>1</i>
	<i>GS2600002-CO</i>	<i>KIT,633,SEAL,CO/N/V LC</i>	<i>1</i>
	<i>GS2600005</i>	<i>KIT,633,SEAL,C/C/V LC</i>	<i>1</i>
	<i>GS2600135</i>	<i>KIT,633,SEAL,FR/C/V LC</i>	<i>1</i>



**Exploded View**

*Optional Items Shown in ITALICS*

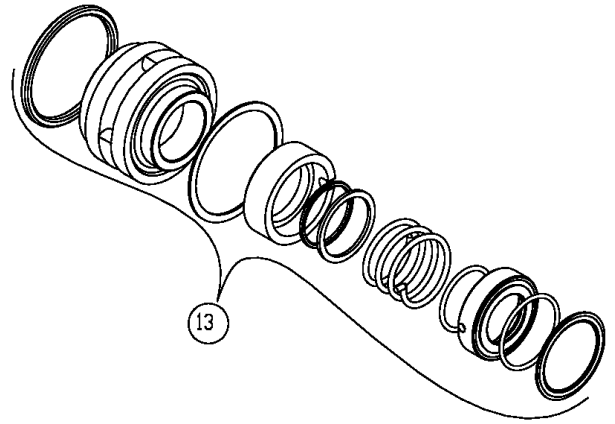
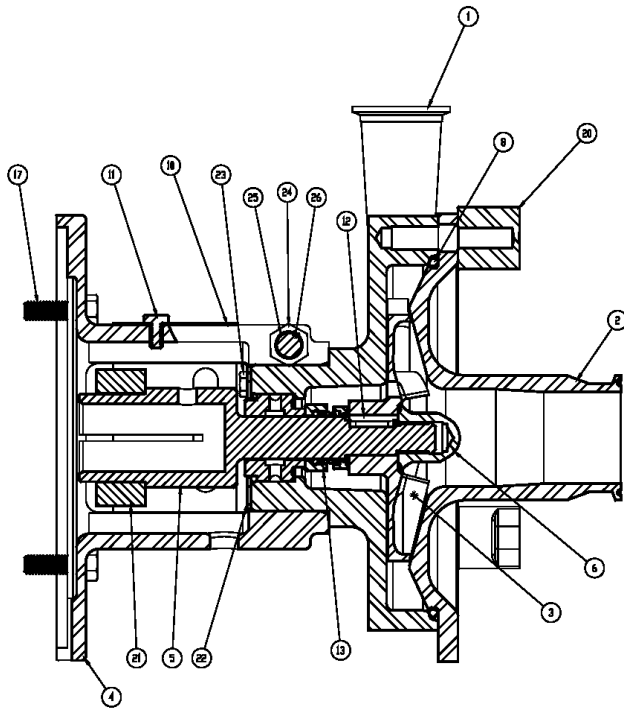
Ref #	Component Item No.	Description	Qty Per
1	SV70610000	CASING,180-210TC,2 CLMP LC R132,R140	1
2	SC44620279	COVER,R32/R40/R132,2-1/2 CLMP L SERIES	1
	SC44620432	COVER,R32/40/132/140,3 CLAMP L SERIES	1
3	SI70630243	IMPELLER,R140,205/18,205MAX LC/LD	1
4	SX10600007	ADAPTER,180/210TC FRAME LC	1
5	SX00000135	STUBSHAFT,180TC,1-1/8 W/KEY LC	1
6	SI54000000	NUT,633,IMP,56C-210TC LC	1
8	GX80000337	O-RING,R32/40/132/140,CVR,BUNA LC	1
	GX80000349	GASKET,R32/40/132/140,CVR,EPDM LC	1
	GX80000338	GASKET,R32/40/132/R140,CVR,VIT LC	1
10	SX10618007	GUARD,SHAFT,180-210TC ADPTR +BOLT LC	1
11	GX48104020	CAPSCRW,HX,1/4-28X3/8,18-8SS HX HD	1
12	SX15000002	KEY,56-280TSC LC	1
13	GS2600002-SC	KIT,633,SEAL,C/N/V LC	1
	GS2600002-SC/TC	KIT,633,SEAL,C/N/V,TAPR CARBN LC	1
	GS2600002-CO	KIT,633,SEAL,CO/N/V LC	1
	GS2600005	KIT,633,SEAL,C/C/N LC	1
	GS2600135	KIT,633,SEAL,FR/C/V LC	1
17	SC1710H-SS	CAPSCRW,HX,1/2-13X1,18-8SS HX HD	4
20	SX03000020	NUT,WING LC SERIES	5
21	SX18000014	COLLAR,180TC,SHAFT LC	1
22	SX48000021	RING,RETAINING,633 SEAL	1
23	GX48104020	CAPSCRW,HX,1/4-28X3/8,18-8SS HX HD	4
24	GX10610105	NUT,HEX,1/2-13,18-8SS L SERIES	1
25	GX10610100	CAPSCRW,HX,1/2-13X3-1/2,18-8SS HX HD	1
26	GX10610405	WASHER,LCK,1/2,18-8SS L SERIES	1



**Exploded View - Seal Only**

*Optional Items Shown in ITALICS*

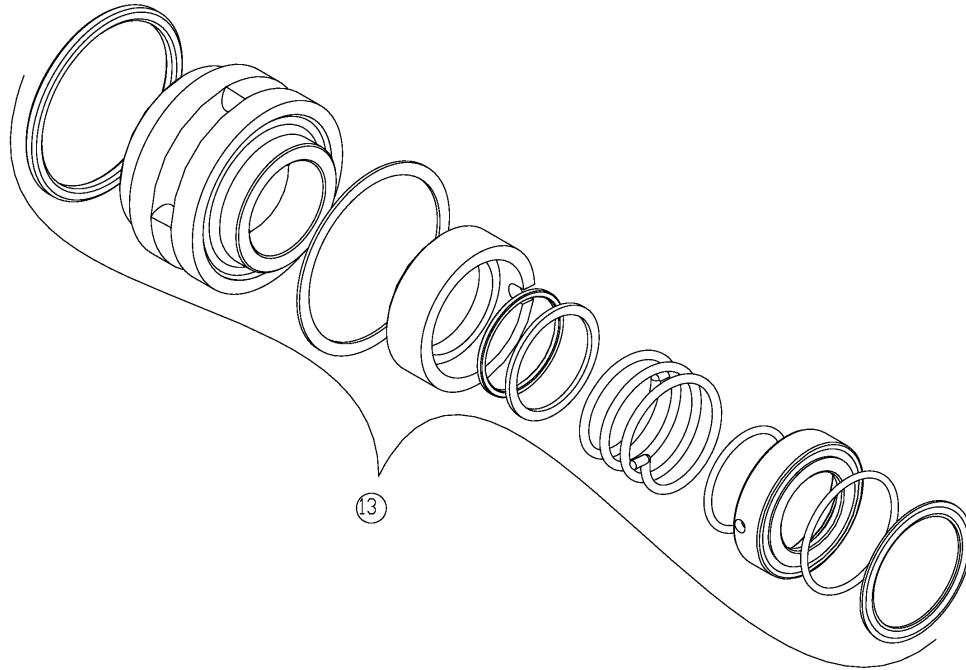
Ref #	Component Item No.	Description	Qty Per
13	<b>GS2600002-SC</b>	<b>KIT,633,SEAL,C/N/V LC</b>	<b>1</b>
	<i>GS2600002-SC/TC</i>	<i>KIT,633,SEAL,C/N/V,TAPR CARBN LC</i>	<i>1</i>
	<i>GS2600002-CO</i>	<i>KIT,633,SEAL,CO/N/V LC</i>	<i>1</i>
	<i>GS2600005</i>	<i>KIT,633,SEAL,C/C/V LC</i>	<i>1</i>
	<i>GS2600135</i>	<i>KIT,633,SEAL,FR/C/V LC</i>	<i>1</i>



**Exploded View**

*Optional Items Shown in ITALICS*

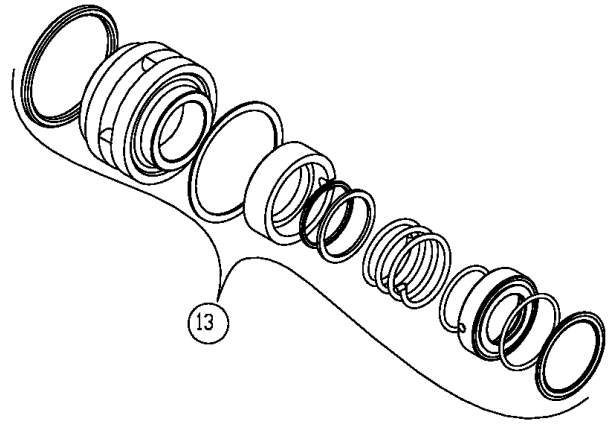
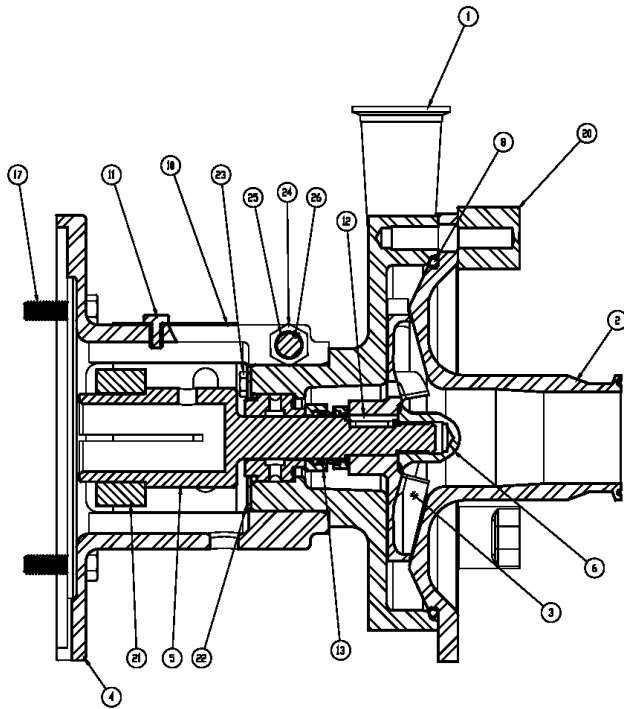
Ref #	Component Item No.	Description	Qty Per
1	SV70610000	CASING,180-210TC,2 CLMP LC R132,R140	1
2	SC44620279	COVER,R32/R40/R132,2-1/2 CLMP L SERIES	1
	SC44620432	COVER,R32/40/132/140,3 CLAMP L SERIES	1
3	SI70630243	IMPELLER,R140,205/18,205MAX LC/LD	1
4	SX10600007	ADAPTER,180/210TC FRAME LC	1
5	SX00000136	STUBSHAFT,210TC,1-3/8 W/KEY LC	1
6	SI54000000	NUT,633,IMP,56C-210TC LC	1
8	GX80000337	O-RING,R32/40/132/140,CVR,BUNA LC	1
	GX80000349	GASKET,R32/40/132/140,CVR,EPDM LC	1
	GX80000338	GASKET,R32/40/132/R140,CVR,VIT LC	1
10	SX10618007	GUARD,SHAFT,180-210TC ADPTR +BOLT LC	1
11	GX48104020	CAPSCRW,HX,1/4-28X3/8,18-8SS HX HD	1
12	SX15000002	KEY,56-280TSC LC	1
13	GS2600002-SC	KIT,633,SEAL,C/N/V LC	1
	GS2600002-SC/TC	KIT,633,SEAL,C/N/V, TAPR CARBN LC	1
	GS2600002-CO	KIT,633,SEAL,CO/N/V LC	1
	GS2600005	KIT,633,SEAL,C/C/N LC	1
	GS2600135	KIT,633,SEAL,FR/C/N LC	1
17	SC1710H-SS	CAPSCRW,HX,1/2-13X1,18-8SS HX HD	4
20	SX03000020	NUT,WING LC SERIES	5
21	SX18000015	COLLAR,210TC,SHAFT LC	1
22	SX48000021	RING,RETAINING,633 SEAL	1
23	GX48104020	CAPSCRW,HX,1/4-28X3/8,18-8SS HX HD	4
24	GX10610105	NUT,HEX,1/2-13,18-8SS L SERIES	1
25	GX10610100	CAPSCRW,HX,1/2-13X3-1/2,18-8SS HX HD	1
26	GX10610405	WASHER,LCK,1/2,18-8SS L SERIES	1



**Exploded View - Seal Only**

*Optional Items Shown in ITALICS*

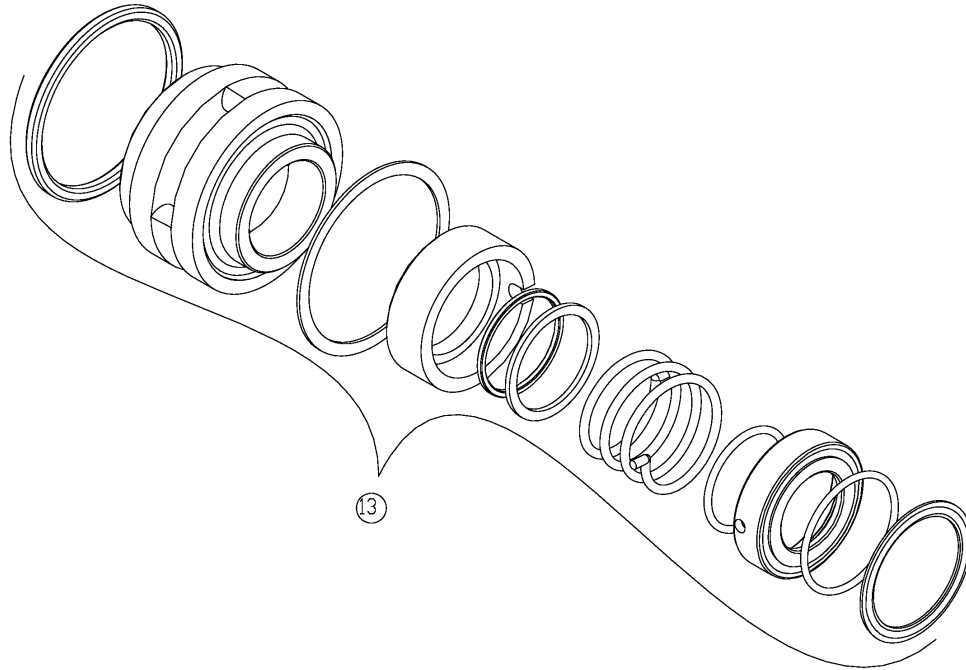
Ref #	Component Item No.	Description	Qty Per
13	<b>GS2600002-SC</b>	<b>KIT,633,SEAL,C/N/V LC</b>	<b>1</b>
	<i>GS2600002-SC/TC</i>	<i>KIT,633,SEAL,C/N/V,TAPR CARBN LC</i>	<i>1</i>
	<i>GS2600002-CO</i>	<i>KIT,633,SEAL,CO/N/V LC</i>	<i>1</i>
	<i>GS2600005</i>	<i>KIT,633,SEAL,C/C/V LC</i>	<i>1</i>
	<i>GS2600135</i>	<i>KIT,633,SEAL,FR/C/V LC</i>	<i>1</i>



**Exploded View**

*Optional Items Shown in ITALICS*

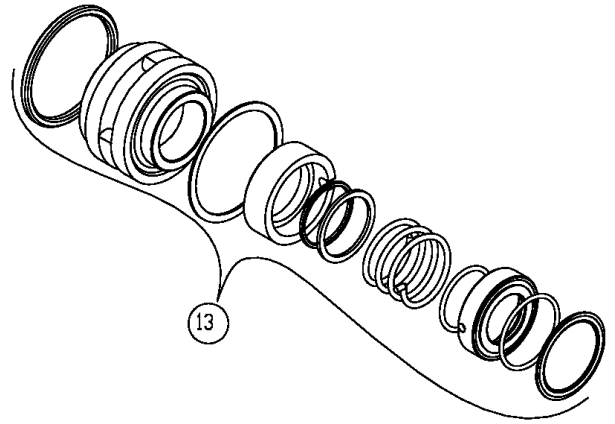
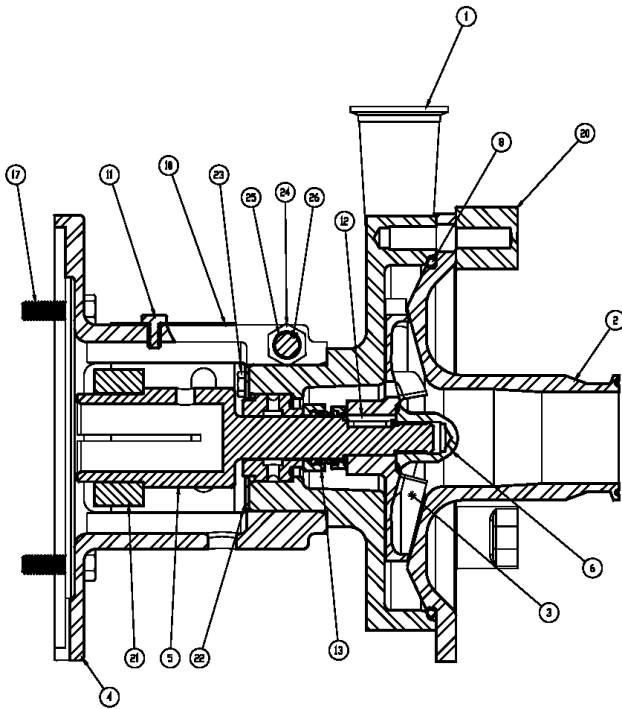
Ref #	Component Item No.	Description	Qty Per
1	SV70610002	CASING,250TC,2 CLMP LC R132,R140	1
2	SC44620279	COVER,R32/R40/R132,2-1/2 CLMP L SERIES	1
	SC44620432	COVER,R32/40/132/140,3 CLAMP L SERIES	1
3	SI70630235	IMPELLER,R140,205/22,205MAX LC/LD/LF	1
4	SX10600088	ADAPTER,250TC FRAME LC	1
5	SX00000137	STUBSHAFT,250TC,1-5/8 W/KEY LC	1
6	SI54000007	NUT,735,IMP,250TC-280TC	1
8	GX80000337	O-RING,R32/40/132/140,CVR,BUNA LC	1
	GX80000349	GASKET,R32/40/132/140,CVR,EPDM LC	1
	GX80000338	GASKET,R32/40/132/R140,CVR,VIT LC	1
10	SX10625088	GUARD,SHAFT,250TC ADPTR LC	1
11	GX48104020	CAPSCRW,HX,1/4-28X3/8,18-8SS HX HD	1
12	SX15000002	KEY,56-280TSC LC	1
13	GS2600127-SC	KIT,735,SEAL,C/N/V LC	1
	GS2600127-SC/TC	KIT,735,SEAL,C/N/V, TAPR CARBN LC	1
	GS2600127-CO	KIT,735,SEAL,CO/N/V LC	1
	GS2600143	KIT,735,SEAL,FR/C/V LC	1
	GS2600129	KIT,735,SEAL,C/C/V LC	1
17	SC1710H-SS	CAPSCRW,HX,1/2-13X1,18-8SS HX HD	4
20	SX03000020	NUT,WING LC SERIES	5
21	SX18000016	COLLAR,250TC/280TSC,SHAFT LC	1
22	SX48000027	RING,RETAINING,735,250TC 735 SEAL	1
23	GX48106027	CAPSCRW,SH,10-32X3/8,18-8SS SCKT HD	6
24	GX10610105	NUT,HEX,1/2-13,18-8SS L SERIES	1
25	GX10610100	CAPSCRW,HX,1/2-13X3-1/2,18-8SS HX HD	1
26	GX10610405	WASHER,LCK,1/2,18-8SS L SERIES	1



**Exploded View - Seal Only**

*Optional Items Shown in ITALICS*

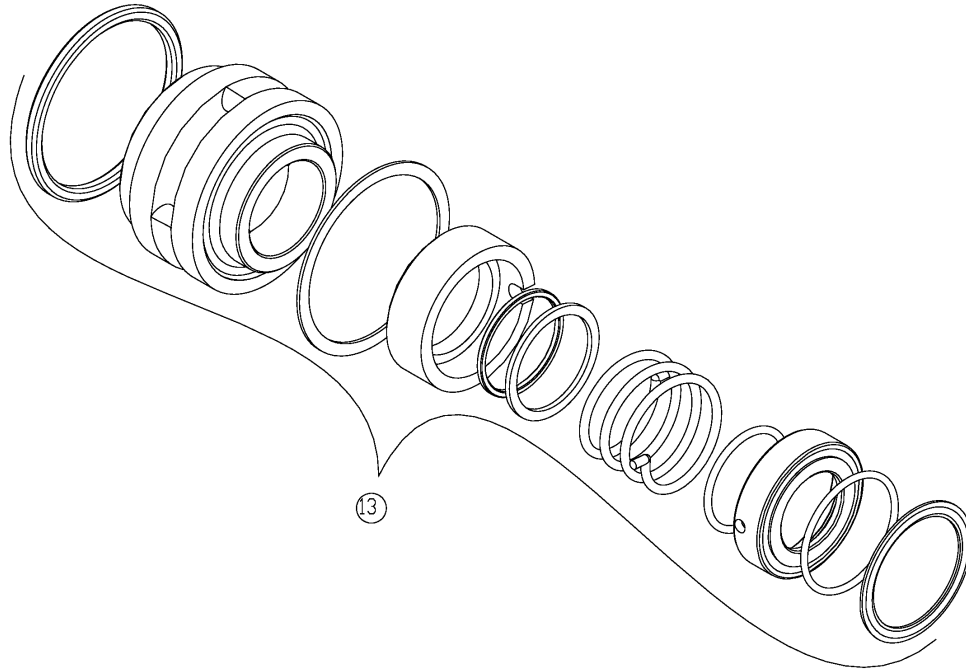
<b>Ref #</b>	<b>Component Item No.</b>	<b>Description</b>	<b>Qty Per</b>
13	<b>GS2600127-SC</b>	<b>KIT,735,SEAL,C/N/V LC</b>	<b>1</b>
	<i>GS2600127-SC/TC</i>	<i>KIT,735,SEAL,C/N/V,TAPR CARBN LC</i>	<i>1</i>
	<i>GS2600127-CO</i>	<i>KIT,735,SEAL,CO/N/V LC</i>	<i>1</i>
	<i>GS2600143</i>	<i>KIT,735,SEAL,FR/C/V LC</i>	<i>1</i>
	<i>GS2600129</i>	<i>KIT,735,SEAL,C/C/V LC</i>	<i>1</i>



**Exploded View**

*Optional Items Shown in ITALICS*

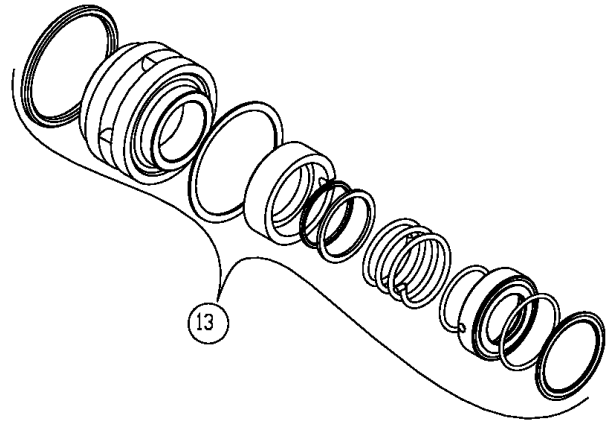
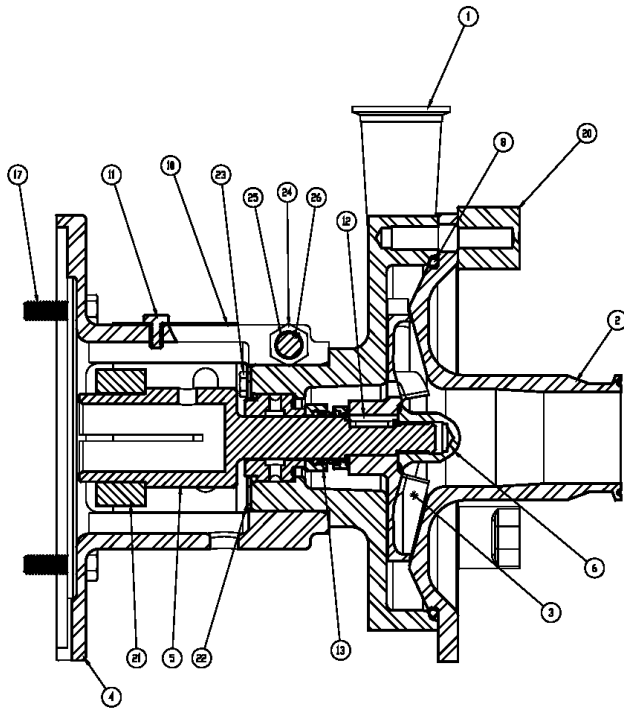
Ref #	Component Item No.	Description	Qty Per
1	SV70610001	CASING,280TSC,2 CLMP LC R132,R140	1
2	SC44620279	COVER,R32/R40/R132,2-1/2 CLMP L SERIES	1
	SC44620432	COVER,R32/40/132/140,3 CLAMP L SERIES	1
3	SI70630235	IMPELLER,R140,205/22,205MAX LC/LD/LF	1
4	SX10600089	ADAPTER,280TC/TSC FRAME LC/LD	1
5	SX00000080	STUBSHAFT,280TSC,1-5/8 W/KEY LC	1
6	SI54000007	NUT,735,IMP,250TC-280TC	1
8	GX80000337	O-RING,R32/40/132/140,CVR,BUNA LC	1
	GX80000349	GASKET,R32/40/132/140,CVR,EPDM LC	1
	GX80000338	GASKET,R32/40/132/R140,CVR,VIT LC	1
10	SX10628089	GUARD,SHAFT,DBL FLNGE ADPTRS LC	2
11	GX48104020	CAPSCRW,HX,1/4-28X3/8,18-8SS HX HD	4
12	SX15000002	KEY,56-280TSC LC	1
13	GS2600127-SC	KIT,735,SEAL,C/N/V LC	1
	GS2600127-SC/TC	KIT,735,SEAL,C/N/V, TAPR CARBN LC	1
	GS2600127-CO	KIT,735,SEAL,CO/N/V LC	1
	GS2600143	KIT,735,SEAL,FR/C/V LC	1
	GS2600129	KIT,735,SEAL,C/C/V LC	1
17	SC1710H-SS	CAPSCRW,HX,1/2-13X1,18-8SS HX HD	4
20	SX03000020	NUT,WING LC SERIES	5
21	SX18000035	COLLAR,250TC/280TSC,SHAFT LC	1
22	SX48000022	RING,RETAINING,735,280TC 735 SEAL	1
23	GX48104020	CAPSCRW,HX,1/4-28X3/8,18-8SS HX HD	4
25	GX10610400	CAPSCRW,HX,M12-1.75X30MM,18-8S HX HD	4
26	GX10610405	WASHER,LCK,1/2,18-8SS L SERIES	4



**Exploded View - Seal Only**

*Optional Items Shown in ITALICS*

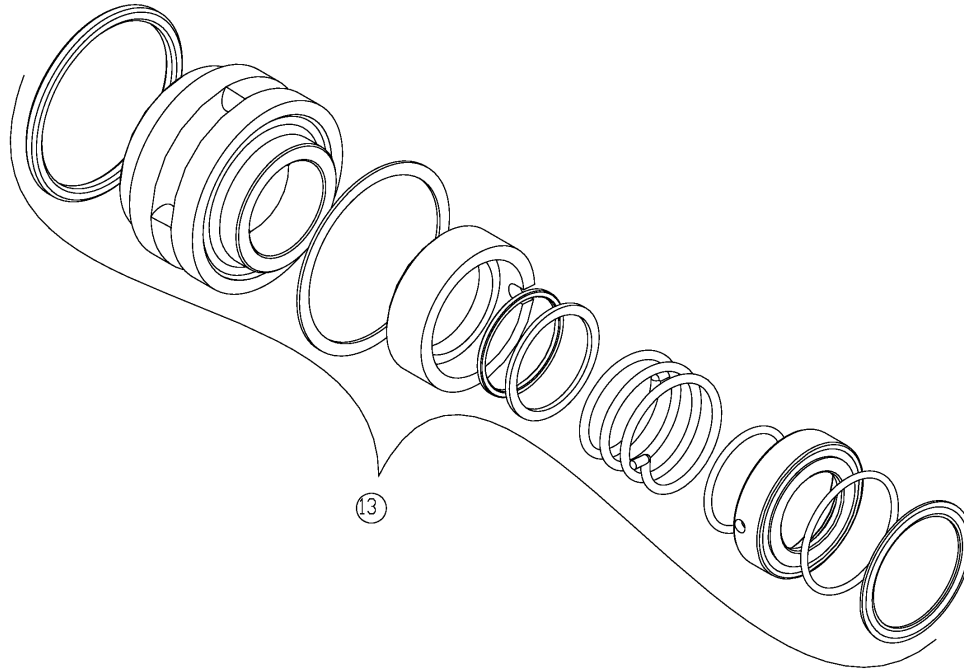
Ref #	Component Item No.	Description	Qty Per
13	<b>GS2600127-SC</b>	<b>KIT,735,SEAL,C/N/V LC</b>	<b>1</b>
	<i>GS2600127-SC/TC</i>	<i>KIT,735,SEAL,C/N/V,TAPR CARBN LC</i>	<i>1</i>
	<i>GS2600127-CO</i>	<i>KIT,735,SEAL,CO/N/V LC</i>	<i>1</i>
	<i>GS2600143</i>	<i>KIT,735,SEAL,FR/C/V LC</i>	<i>1</i>
	<i>GS2600129</i>	<i>KIT,735,SEAL,C/C/V LC</i>	<i>1</i>



**Exploded View**

*Optional Items Shown in ITALICS*

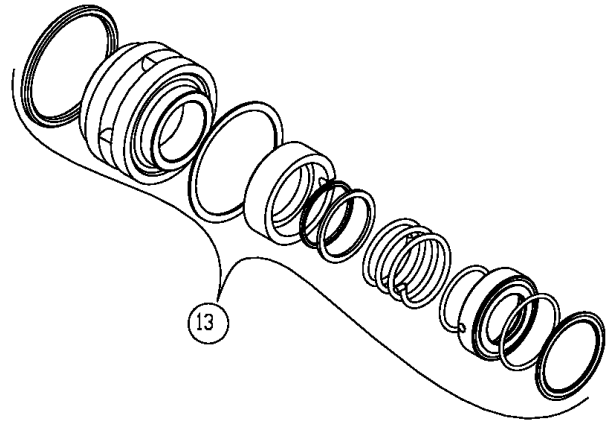
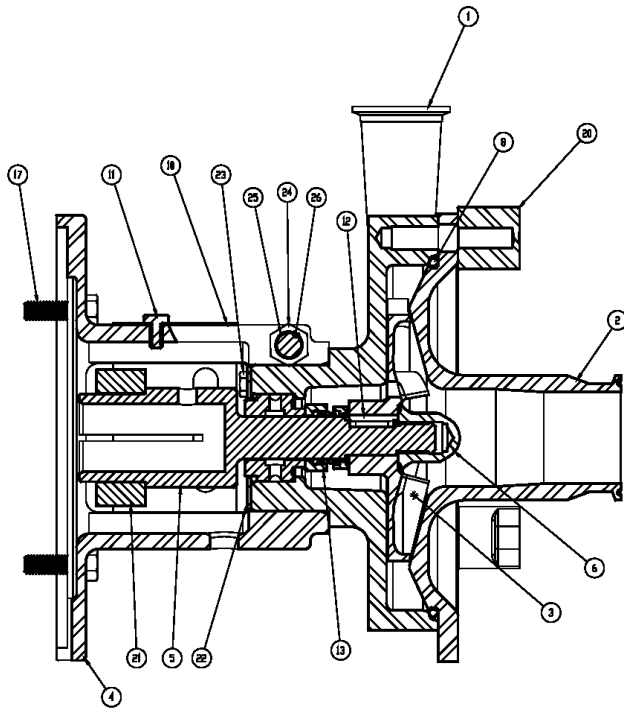
Ref #	Component Item No.	Description	Qty Per
1	SV70610003	CASING,320TSC,2 CLMP LC R132,R140	1
2	SC44620279	COVER,R32/R40/R132,2-1/2 CLMP L SERIES	1
	SC44620432	COVER,R32/40/132/140,3 CLAMP L SERIES	1
3	SI70630234	IMPELLER,R140,205/30,205MAX, EXT'D HUB LC/LD	1
4	SX10600100	ADAPTER,320TC/TSC FRAME LC/LD/LF	1
5	SX00000084	STUBSHAFT,320TSC,1-7/8 W/KEY LC	1
6	SI54000005	NUT,735/736,IMP,EXT HUB LC	1
8	GX80000337	O-RING,R32/40/132/140,CVR,BUNA LC	1
	GX80000349	GASKET,R32/40/132/140,CVR,EPDM LC	1
	GX80000338	GASKET,R32/40/132/R140,CVR,VIT LC	1
10	SX10628089	GUARD,SHAFT,DBL FLNGE ADPTRS LC	2
11	GX48104020	CAPSCRW,HX,1/4-28X3/8,18-8SS HX HD	4
12	SX15000023	KEY, LC, 320TSC	1
13	GS2600009-SC	KIT,736,SEAL,C/N/V LC	1
	GS2600009-SC/TC	KIT,736,SEAL,C/N/V, TAPR CARBN LC	1
	GS2600009-CO	KIT,736,SEAL,CO/N/V LC	1
	GS2600141	KIT,736,SEAL,FR/C/V LC	1
	GS2600132	KIT,736,SEAL,C/C/V LC	1
17	GX5076700	CAPSCRW,HX,5/8-11X1-1/2,18-8SS HX HD	4
20	SX03000020	NUT,WING LC SERIES	5
21	SX18000027	COLLAR,280TC/320TSC,SHAFT LC	1
22	SX48000023	RING,RETAINING,736 SEAL	1
23	GX48104020	CAPSCRW,HX,1/4-28X3/8,18-8SS HX HD	4
25	GX10610400	CAPSCRW,HX,M12-1.75X30MM,18-8S HX HD	4
26	GX10610405	WASHER,LCK,1/2,18-8SS L SERIES	4



**Exploded View - Seal Only**

*Optional Items Shown in ITALICS*

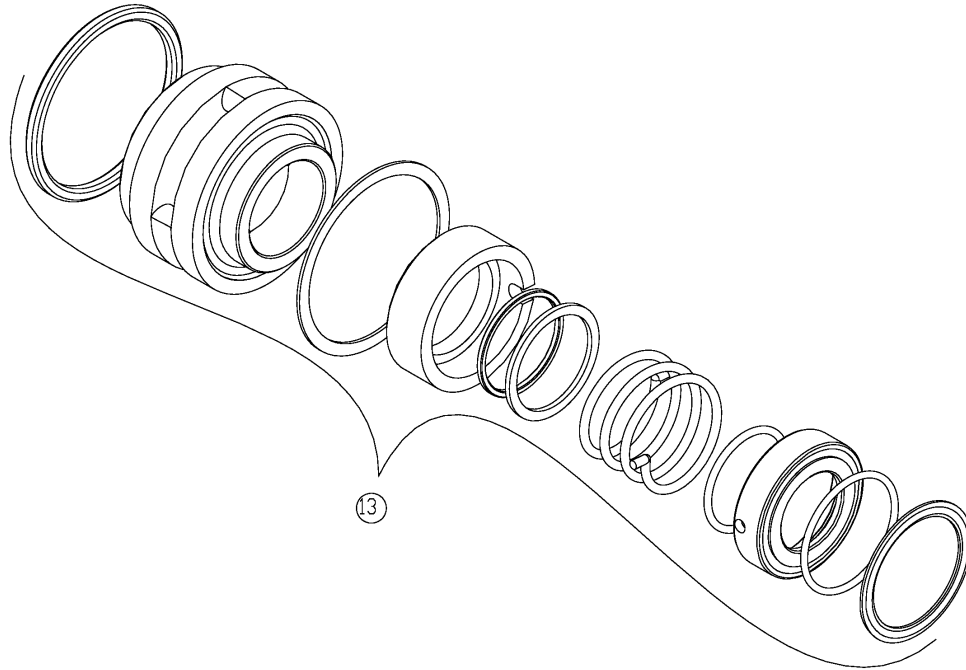
Ref #	Component Item No.	Description	Qty Per
13	<b>GS2600009-SC</b>	<b>KIT,736,SEAL,C/N/V LC</b>	<b>1</b>
	<i>GS2600009-SC/TC</i>	<i>KIT,736,SEAL,C/N/V,TAPR CARBN LC</i>	<i>1</i>
	<i>GS2600009-CO</i>	<i>KIT,736,SEAL,CO/N/V LC</i>	<i>1</i>
	<i>GS2600141</i>	<i>KIT,736,SEAL,FR/C/V LC</i>	<i>1</i>
	<i>GS2600132</i>	<i>KIT,736,SEAL,C/C/V LC</i>	<i>1</i>



**Exploded View**

*Optional Items Shown in ITALICS*

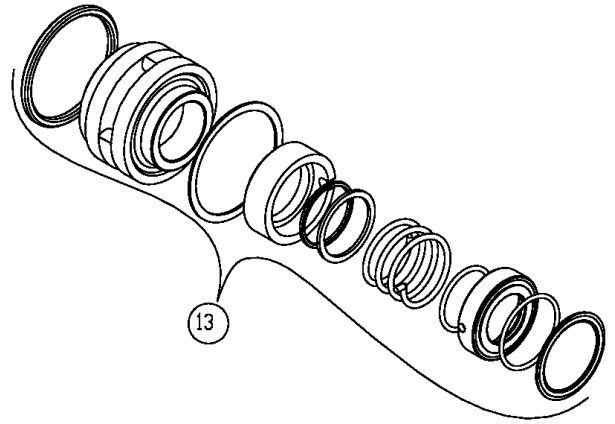
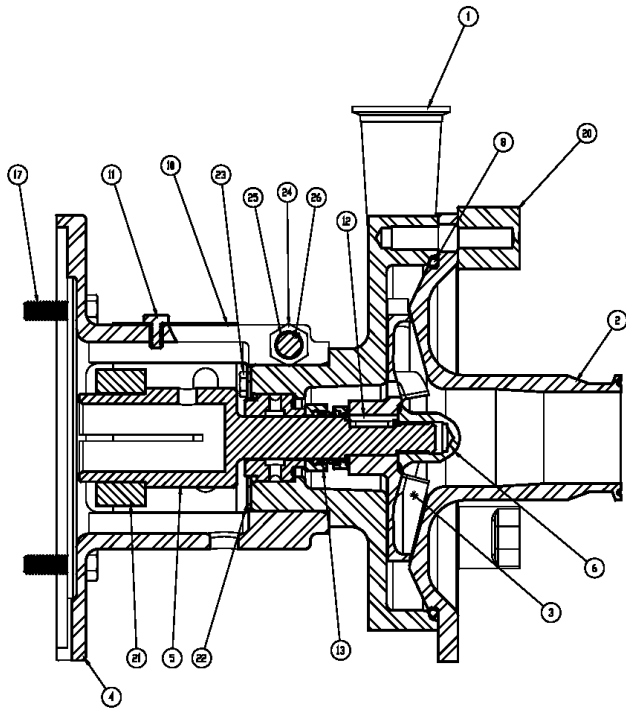
Ref #	Component Item No.	Description	Qty Per
1	SV70610000	CASING,180-210TC,2 CLMP LC R132,R140	1
2	SC44620279	COVER,R32/R40/R132,2-1/2 CLMP L SERIES	1
	SC44620432	COVER,R32/40/132/140,3 CLAMP L SERIES	1
3	SI70630243	IMPELLER,R140,205/18,205MAX LC/LD	1
4	SX10600087	ADAPTER,56C-140TC FRAME LC	1
5	SX00000134	STUBSHAFT,140TC,7/8 W/KEY LC	1
6	SI54000000	NUT,633,IMP,56C-210TC LC	1
8	GX80000337	O-RING,R32/40/132/140,CVR,BUNA LC	1
	GX80000349	GASKET,R32/40/132/140,CVR,EPDM LC	1
	GX80000338	GASKET,R32/40/132/R140,CVR,VIT LC	1
10	SX10614087	GUARD,SHAFT,56C-140TC,ADPT +BOLT LC	1
11	GX48104020	CAPSCRW,HX,1/4-28X3/8,18-8SS HX HD	1
12	SX15000002	KEY,56-280TSC LC	1
13	GS2600002-SC	KIT,633,SEAL,C/N/V LC	1
	GS2600002-SC/TC	KIT,633,SEAL,C/N/V, TAPR CARBN LC	1
	GS2600002-CO	KIT,633,SEAL,CO/N/V LC	1
	GS2600005	KIT,633,SEAL,C/C/N LC	1
	GS2600135	KIT,633,SEAL,FR/C/N LC	1
17	GX5077100	CAPSCRW,HX,3/8-16X1,18-8SS HX HD	4
20	SX03000020	NUT,WING LC SERIES	5
21	SX18000013	COLLAR,56C/140TC,SHAFT L SEE ITEM NOTES	1
22	SX48000021	RING,RETAINING,633 SEAL	1
23	GX48104020	CAPSCRW,HX,1/4-28X3/8,18-8SS HX HD	4
24	GX10610105	NUT,HEX,1/2-13,18-8SS L SERIES	1
25	GX10610100	CAPSCRW,HX,1/2-13X3-1/2,18-8SS HX HD	1
26	GX10610405	WASHER,LCK,1/2,18-8SS L SERIES	1



**Exploded View - Seal Only**

*Optional Items Shown in ITALICS*

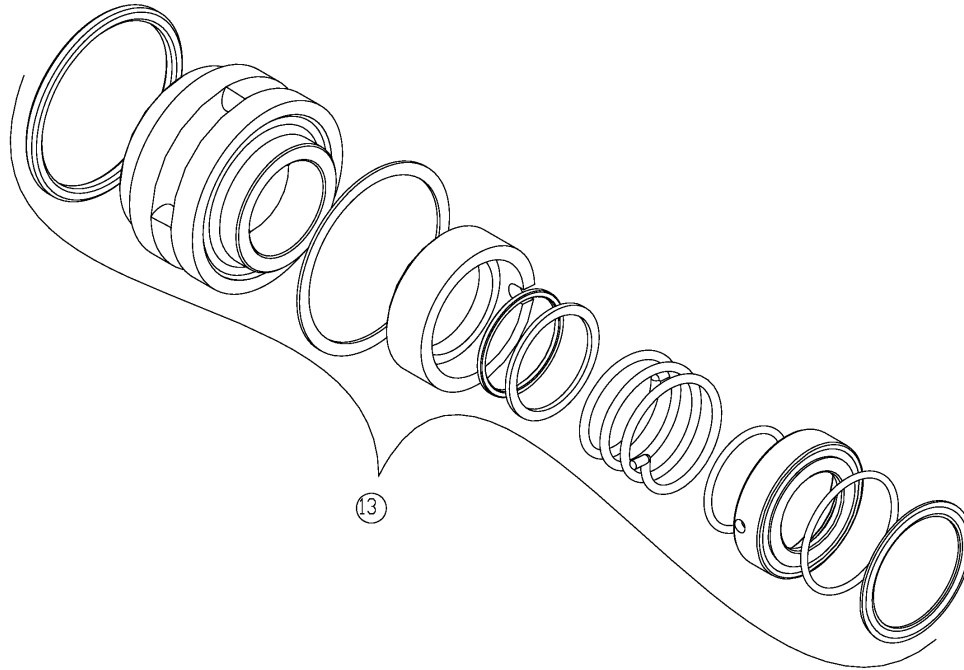
Ref #	Component Item No.	Description	Qty Per
13	<b>GS2600002-SC</b>	<b>KIT,633,SEAL,C/N/V LC</b>	<b>1</b>
	<i>GS2600002-SC/TC</i>	<i>KIT,633,SEAL,C/N/V,TAPR CARBN LC</i>	<i>1</i>
	<i>GS2600002-CO</i>	<i>KIT,633,SEAL,CO/N/V LC</i>	<i>1</i>
	<i>GS2600005</i>	<i>KIT,633,SEAL,C/C/V LC</i>	<i>1</i>
	<i>GS2600135</i>	<i>KIT,633,SEAL,FR/C/V LC</i>	<i>1</i>



**Exploded View**

*Optional Items Shown in ITALICS*

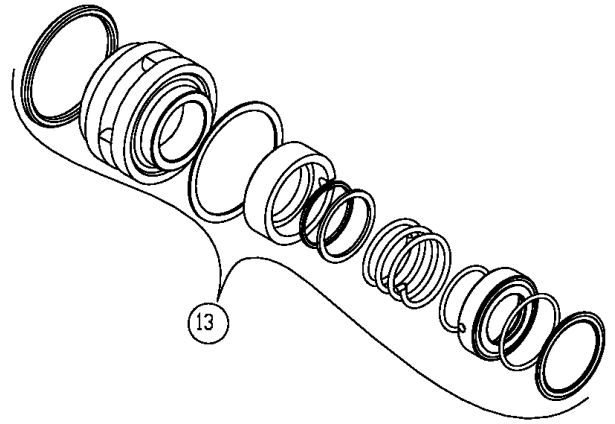
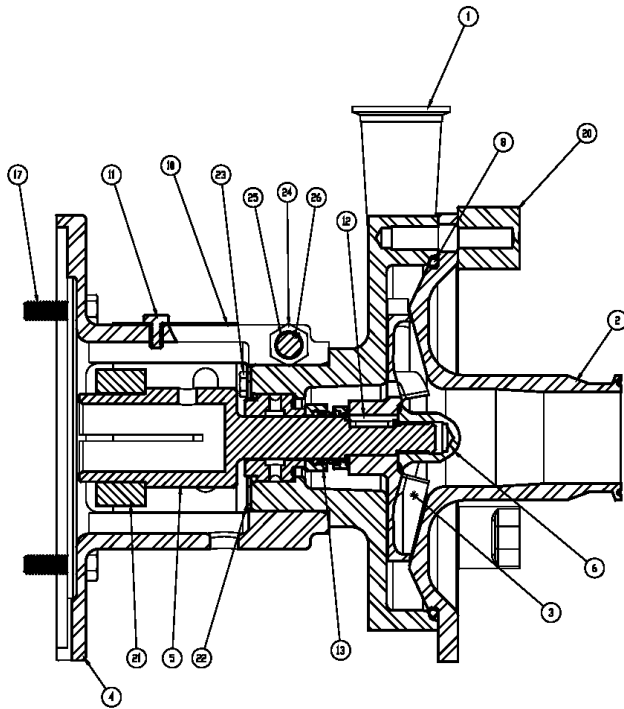
Ref #	Component Item No.	Description	Qty Per
1	SV70610000	CASING,180-210TC,2 CLMP LC R132,R140	1
2	SC44620279	COVER,R32/R40/R132,2-1/2 CLMP L SERIES	1
	SC44620432	COVER,R32/40/132/140,3 CLAMP L SERIES	1
3	SI70630243	IMPELLER,R140,205/18,205MAX LC/LD	1
4	SX10600007	ADAPTER,180/210TC FRAME LC	1
5	SX00000135	STUBSHAFT,180TC,1-1/8 W/KEY LC	1
6	SI54000000	NUT,633,IMP,56C-210TC LC	1
8	GX80000337	O-RING,R32/40/132/140,CVR,BUNA LC	1
	GX80000349	GASKET,R32/40/132/140,CVR,EPDM LC	1
	GX80000338	GASKET,R32/40/132/R140,CVR,VIT LC	1
10	SX10618007	GUARD,SHAFT,180-210TC ADPTR +BOLT LC	1
11	GX48104020	CAPSCRW,HX,1/4-28X3/8,18-8SS HX HD	1
12	SX15000002	KEY,56-280TSC LC	1
13	GS2600002-SC	KIT,633,SEAL,C/N/V LC	1
	GS2600002-SC/TC	KIT,633,SEAL,C/N/V, TAPR CARBN LC	1
	GS2600002-CO	KIT,633,SEAL,CO/N/V LC	1
	GS2600005	KIT,633,SEAL,C/C/N LC	1
	GS2600135	KIT,633,SEAL,FR/C/N LC	1
17	SC1710H-SS	CAPSCRW,HX,1/2-13X1,18-8SS HX HD	4
20	SX03000020	NUT,WING LC SERIES	5
21	SX18000014	COLLAR,180TC,SHAFT LC	1
22	SX48000021	RING,RETAINING,633 SEAL	1
23	GX48104020	CAPSCRW,HX,1/4-28X3/8,18-8SS HX HD	4
24	GX10610105	NUT,HEX,1/2-13,18-8SS L SERIES	1
25	GX10610100	CAPSCRW,HX,1/2-13X3-1/2,18-8SS HX HD	1
26	GX10610405	WASHER,LCK,1/2,18-8SS L SERIES	1



**Exploded View - Seal Only**

*Optional Items Shown in ITALICS*

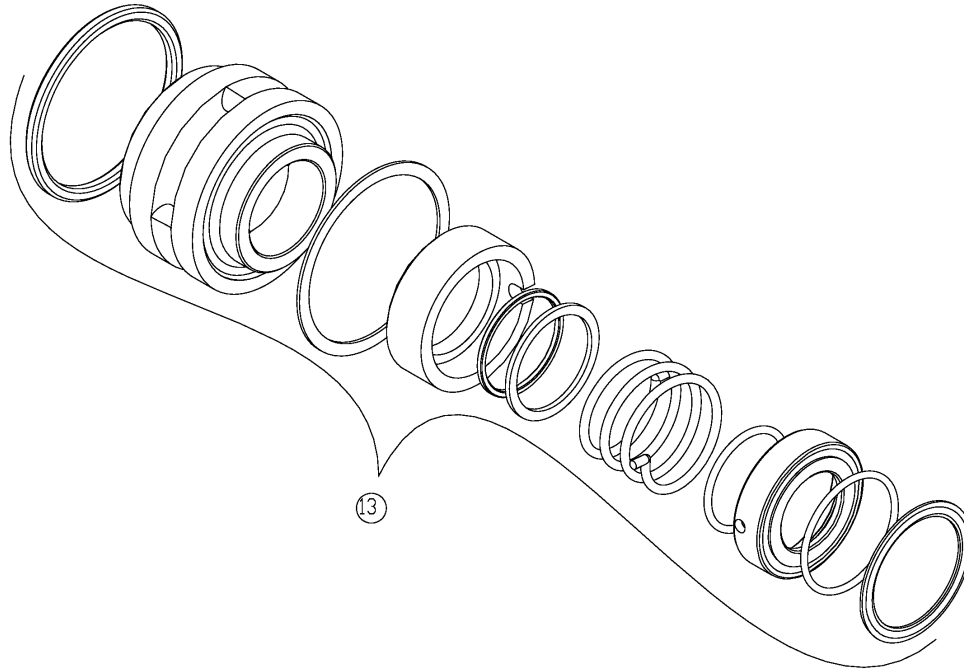
Ref #	Component Item No.	Description	Qty Per
13	<b>GS2600002-SC</b>	<b>KIT,633,SEAL,C/N/V LC</b>	<b>1</b>
	<i>GS2600002-SC/TC</i>	<i>KIT,633,SEAL,C/N/V,TAPR CARBN LC</i>	<i>1</i>
	<i>GS2600002-CO</i>	<i>KIT,633,SEAL,CO/N/V LC</i>	<i>1</i>
	<i>GS2600005</i>	<i>KIT,633,SEAL,C/C/V LC</i>	<i>1</i>
	<i>GS2600135</i>	<i>KIT,633,SEAL,FR/C/V LC</i>	<i>1</i>



**Exploded View**

*Optional Items Shown in ITALICS*

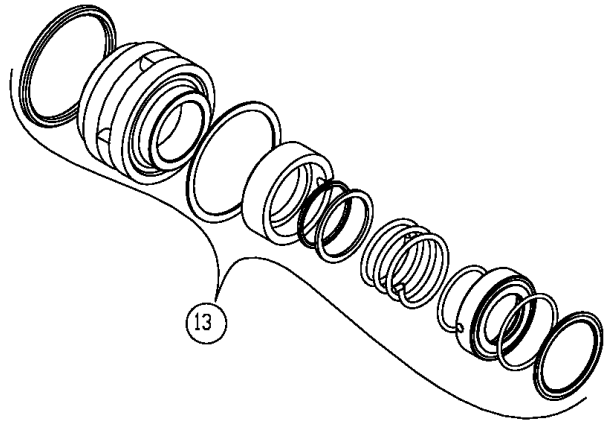
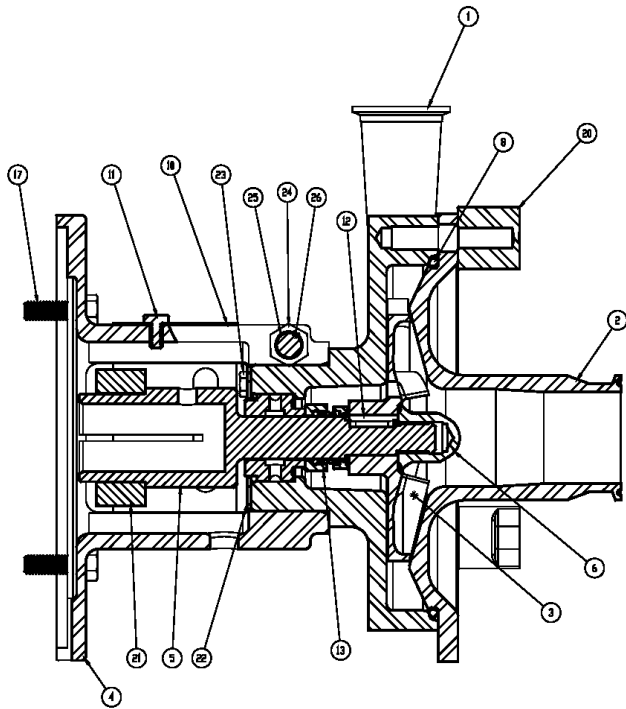
Ref #	Component Item No.	Description	Qty Per
1	SV70610000	CASING,180-210TC,2 CLMP LC R132,R140	1
2	SC44620279	COVER,R32/R40/R132,2-1/2 CLMP L SERIES	1
	SC44620432	COVER,R32/40/132/140,3 CLAMP L SERIES	1
3	SI70630243	IMPELLER,R140,205/18,205MAX LC/LD	1
4	SX10600007	ADAPTER,180/210TC FRAME LC	1
5	SX00000136	STUBSHAFT,210TC,1-3/8 W/KEY LC	1
6	SI54000000	NUT,633,IMP,56C-210TC LC	1
8	GX80000337	O-RING,R32/40/132/140,CVR,BUNA LC	1
	GX80000349	GASKET,R32/40/132/140,CVR,EPDM LC	1
	GX80000338	GASKET,R32/40/132/R140,CVR,VIT LC	1
10	SX10618007	GUARD,SHAFT,180-210TC ADPTR +BOLT LC	1
11	GX48104020	CAPSCRW,HX,1/4-28X3/8,18-8SS HX HD	1
12	SX15000002	KEY,56-280TSC LC	1
13	GS2600002-SC	KIT,633,SEAL,C/N/V LC	1
	GS2600002-SC/TC	KIT,633,SEAL,C/N/V, TAPR CARBN LC	1
	GS2600002-CO	KIT,633,SEAL,CO/N/V LC	1
	GS2600005	KIT,633,SEAL,C/C/N LC	1
	GS2600135	KIT,633,SEAL,FR/C/V LC	1
17	SC1710H-SS	CAPSCRW,HX,1/2-13X1,18-8SS HX HD	4
20	SX03000020	NUT,WING LC SERIES	5
21	SX18000015	COLLAR,210TC,SHAFT LC	1
22	SX48000021	RING,RETAINING,633 SEAL	1
23	GX48104020	CAPSCRW,HX,1/4-28X3/8,18-8SS HX HD	4
24	GX10610105	NUT,HEX,1/2-13,18-8SS L SERIES	1
25	GX10610100	CAPSCRW,HX,1/2-13X3-1/2,18-8SS HX HD	1
26	GX10610405	WASHER,LCK,1/2,18-8SS L SERIES	1



**Exploded View - Seal Only**

*Optional Items Shown in ITALICS*

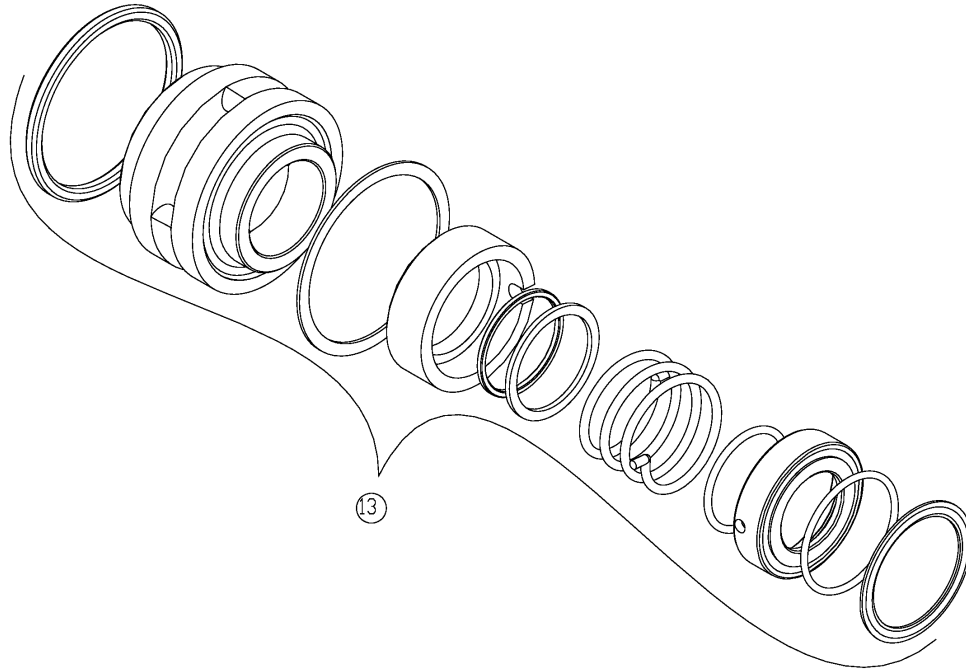
Ref #	Component Item No.	Description	Qty Per
13	<b>GS2600002-SC</b>	<b>KIT,633,SEAL,C/N/V LC</b>	<b>1</b>
	<i>GS2600002-SC/TC</i>	<i>KIT,633,SEAL,C/N/V,TAPR CARBN LC</i>	<i>1</i>
	<i>GS2600002-CO</i>	<i>KIT,633,SEAL,CO/N/V LC</i>	<i>1</i>
	<i>GS2600005</i>	<i>KIT,633,SEAL,C/C/V LC</i>	<i>1</i>
	<i>GS2600135</i>	<i>KIT,633,SEAL,FR/C/V LC</i>	<i>1</i>



**Exploded View**

*Optional Items Shown in ITALICS*

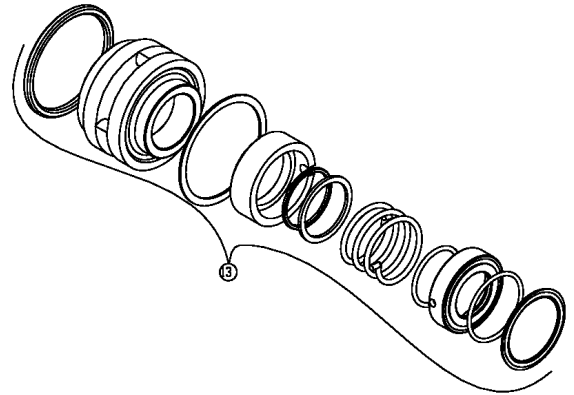
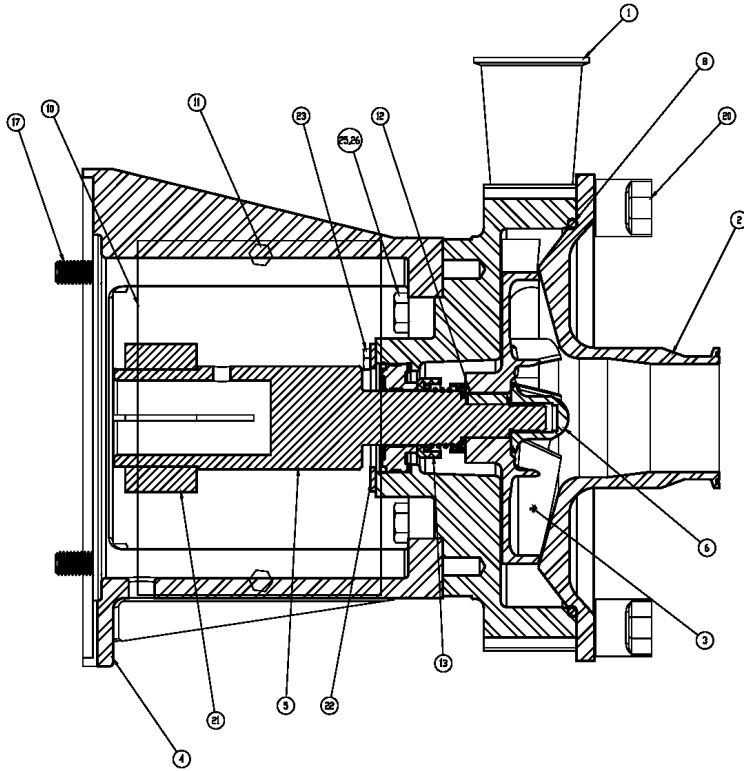
Ref #	Component Item No.	Description	Qty Per
1	SV70610002	CASING,250TC,2 CLMP LC R132,R140	1
2	SC44620279	COVER,R32/R40/R132,2-1/2 CLMP L SERIES	1
	SC44620432	COVER,R32/40/132/140,3 CLAMP L SERIES	1
3	SI70630235	IMPELLER,R140,205/22,205MAX LC/LD/LF	1
4	SX10600088	ADAPTER,250TC FRAME LC	1
5	SX00000137	STUBSHAFT,250TC,1-5/8 W/KEY LC	1
6	SI54000007	NUT,735,IMP,250TC-280TC	1
8	GX80000337	O-RING,R32/40/132/140,CVR,BUNA LC	1
	GX80000349	GASKET,R32/40/132/140,CVR,EPDM LC	1
	GX80000338	GASKET,R32/40/132/R140,CVR,VIT LC	1
10	SX10625088	GUARD,SHAFT,250TC ADPTR LC	1
11	GX48104020	CAPSCRW,HX,1/4-28X3/8,18-8SS HX HD	1
12	SX15000002	KEY,56-280TSC LC	1
13	GS2600127-SC	KIT,735,SEAL,C/N/V LC	1
	GS2600127-SC/TC	KIT,735,SEAL,C/N/V, TAPR CARBN LC	1
	GS2600127-CO	KIT,735,SEAL,CO/N/V LC	1
	GS2600143	KIT,735,SEAL,FR/C/V LC	1
	GS2600129	KIT,735,SEAL,C/C/V LC	1
17	SC1710H-SS	CAPSCRW,HX,1/2-13X1,18-8SS HX HD	4
20	SX03000020	NUT,WING LC SERIES	5
21	SX18000016	COLLAR,250TC/280TSC,SHAFT LC	1
22	SX48000027	RING,RETAINING,735,250TC 735 SEAL	1
23	GX48106027	CAPSCRW,SH,10-32X3/8,18-8SS SCKT HD	6
24	GX10610105	NUT,HEX,1/2-13,18-8SS L SERIES	1
25	GX10610100	CAPSCRW,HX,1/2-13X3-1/2,18-8SS HX HD	1
26	GX10610405	WASHER,LCK,1/2,18-8SS L SERIES	1



**Exploded View - Seal Only**

*Optional Items Shown in ITALICS*

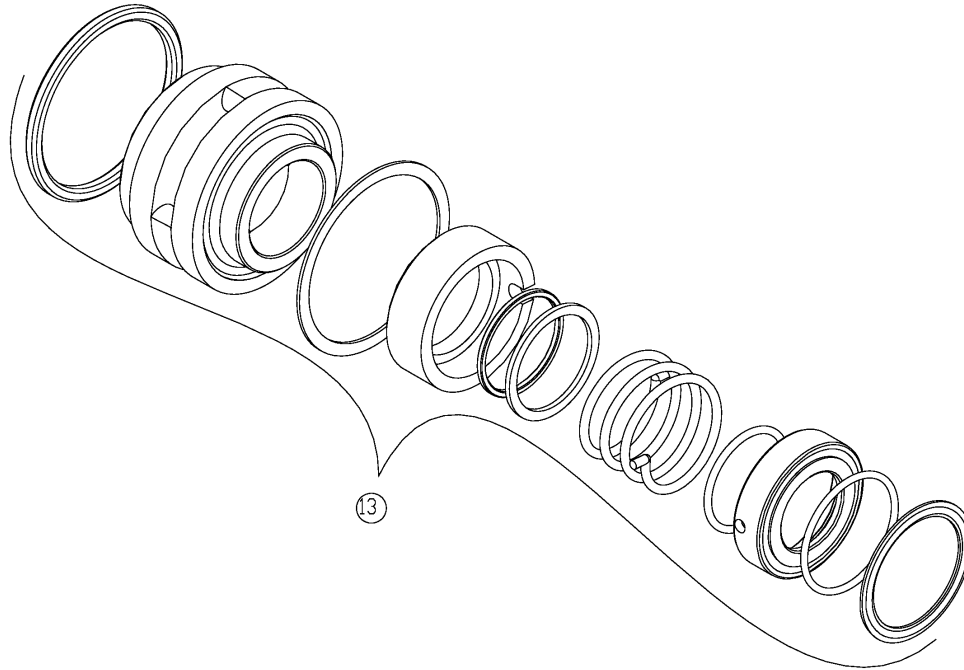
<b>Ref #</b>	<b>Component Item No.</b>	<b>Description</b>	<b>Qty Per</b>
13	<b>GS2600127-SC</b>	<b>KIT,735,SEAL,C/N/V LC</b>	<b>1</b>
	<i>GS2600127-SC/TC</i>	<i>KIT,735,SEAL,C/N/V,TAPR CARBN LC</i>	<i>1</i>
	<i>GS2600127-CO</i>	<i>KIT,735,SEAL,CO/N/V LC</i>	<i>1</i>
	<i>GS2600143</i>	<i>KIT,735,SEAL,FR/C/V LC</i>	<i>1</i>
	<i>GS2600129</i>	<i>KIT,735,SEAL,C/C/V LC</i>	<i>1</i>



**Exploded View**

*Optional Items Shown in ITALICS*

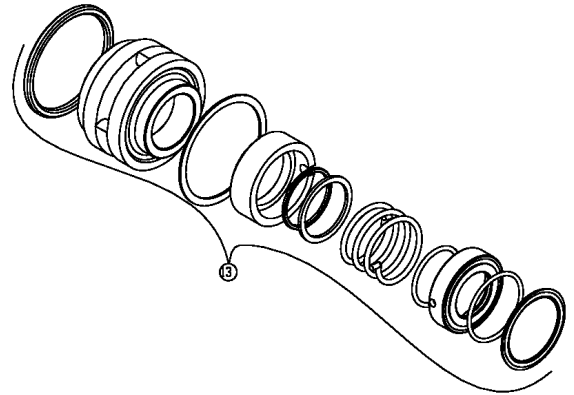
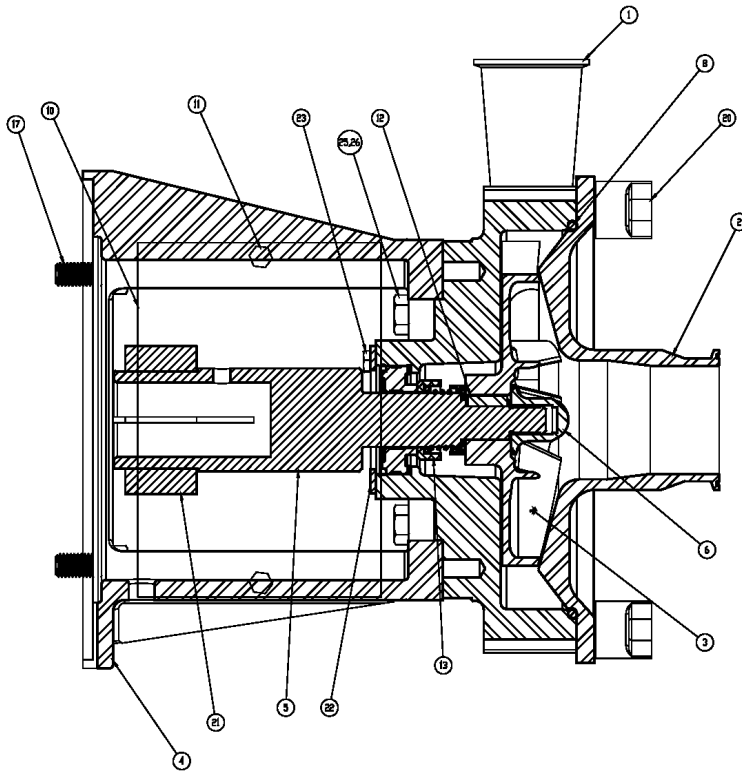
Ref #	Component Item No.	Description	Qty Per
1	SV70610001	CASING,280TSC,2 CLMP LC R132,R140	1
2	SC44620279	COVER,R32/R40/R132,2-1/2 CLMP L SERIES	1
	SC44620432	COVER,R32/40/132/140,3 CLAMP L SERIES	1
3	SI70630235	IMPELLER,R140,205/22,205MAX LC/LD/LF	1
4	SX10600089	ADAPTER,280TC/TSC FRAME LC/LD	1
5	SX00000080	STUBSHAFT,280TSC,1-5/8 W/KEY LC	1
6	SI54000007	NUT,735,IMP,250TC-280TC	1
8	GX80000337	O-RING,R32/40/132/140,CVR,BUNA LC	1
	GX80000349	GASKET,R32/40/132/140,CVR,EPDM LC	1
	GX80000338	GASKET,R32/40/132/R140,CVR,VIT LC	1
10	SX10628089	GUARD,SHAFT,DBL FLNGE ADPTRS LC	2
11	GX48104020	CAPSCRW,HX,1/4-28X3/8,18-8SS HX HD	4
12	SX15000002	KEY,56-280TSC LC	1
13	GS2600127-SC	KIT,735,SEAL,C/N/V LC	1
	GS2600127-SC/TC	KIT,735,SEAL,C/N/V, TAPR CARBN LC	1
	GS2600127-CO	KIT,735,SEAL,CO/N/V LC	1
	GS2600143	KIT,735,SEAL,FR/C/V LC	1
	GS2600129	KIT,735,SEAL,C/C/V LC	1
17	SC1710H-SS	CAPSCRW,HX,1/2-13X1,18-8SS HX HD	4
20	SX03000020	NUT,WING LC SERIES	5
21	SX18000035	COLLAR,250TC/280TSC,SHAFT LC	1
22	SX48000022	RING,RETAINING,735,280TC 735 SEAL	1
23	GX48104020	CAPSCRW,HX,1/4-28X3/8,18-8SS HX HD	4
25	GX10610400	CAPSCRW,HX,M12-1.75X30MM,18-8S HX HD	4
26	GX10610405	WASHER,LCK,1/2,18-8SS L SERIES	4



**Exploded View - Seal Only**

*Optional Items Shown in ITALICS*

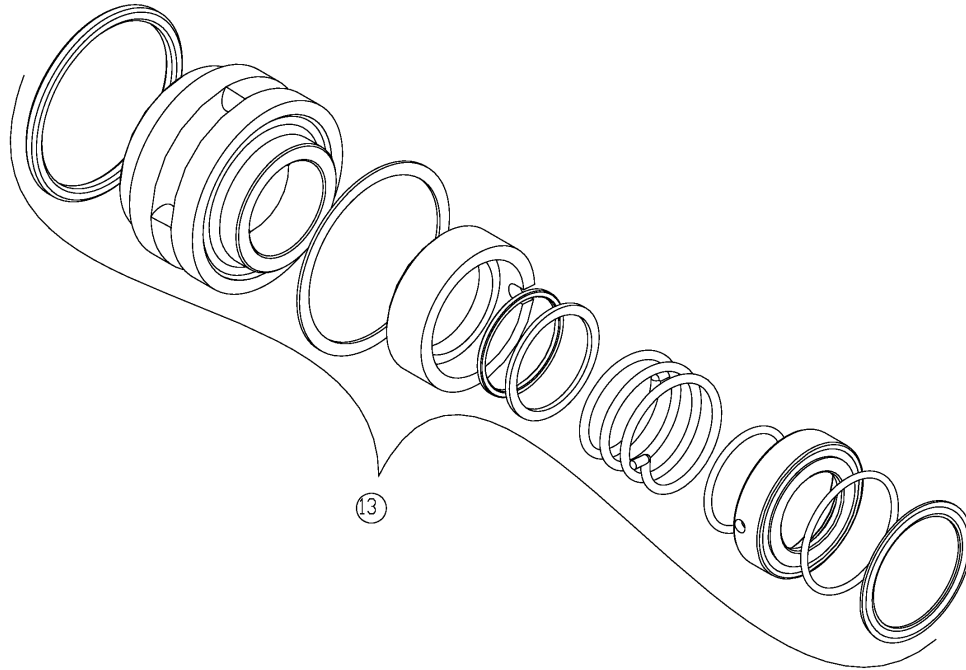
Ref #	Component Item No.	Description	Qty Per
13	<b>GS2600127-SC</b>	<b>KIT,735,SEAL,C/N/V LC</b>	<b>1</b>
	<i>GS2600127-SC/TC</i>	<i>KIT,735,SEAL,C/N/V,TAPR CARBN LC</i>	<i>1</i>
	<i>GS2600127-CO</i>	<i>KIT,735,SEAL,CO/N/V LC</i>	<i>1</i>
	<i>GS2600143</i>	<i>KIT,735,SEAL,FR/C/V LC</i>	<i>1</i>
	<i>GS2600129</i>	<i>KIT,735,SEAL,C/C/V LC</i>	<i>1</i>



**Exploded View**

*Optional Items Shown in ITALICS*

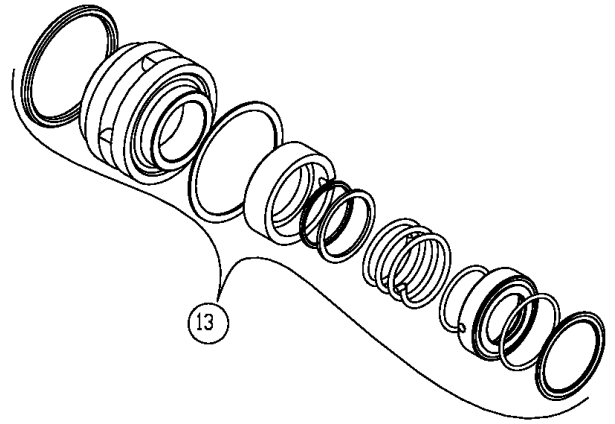
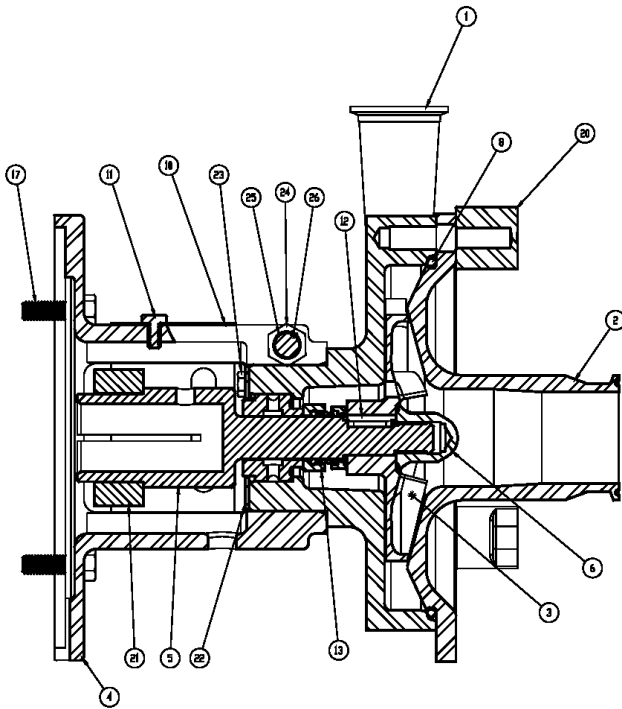
Ref #	Component Item No.	Description	Qty Per
1	SV70610003	CASING,320TSC,2 CLMP LC R132,R140	1
2	SC44620279	COVER,R32/R40/R132,2-1/2 CLMP L SERIES	1
	SC44620432	COVER,R32/40/132/140,3 CLAMP L SERIES	1
3	SI70630234	IMPELLER,R140,205/30,205MAX, EXT'D HUB LC/LD	1
4	SX10600100	ADAPTER,320TC/TSC FRAME LC/LD/LF	1
5	SX00000084	STUBSHAFT,320TSC,1-7/8 W/KEY LC	1
6	SI54000005	NUT,735/736,IMP,EXT HUB LC	1
8	GX80000337	O-RING,R32/40/132/140,CVR,BUNA LC	1
	GX80000349	GASKET,R32/40/132/140,CVR,EPDM LC	1
	GX80000338	GASKET,R32/40/132/R140,CVR,VIT LC	1
10	SX10628089	GUARD,SHAFT,DBL FLNGE ADPTRS LC	2
11	GX48104020	CAPSCRW,HX,1/4-28X3/8,18-8SS HX HD	4
12	SX15000023	KEY, LC, 320TSC	1
13	GS2600009-SC	KIT,736,SEAL,C/N/V LC	1
	GS2600009-SC/TC	KIT,736,SEAL,C/N/V, TAPR CARBN LC	1
	GS2600009-CO	KIT,736,SEAL,CO/N/V LC	1
	GS2600141	KIT,736,SEAL,FR/C/V LC	1
	GS2600132	KIT,736,SEAL,C/C/V LC	1
17	GX5076700	CAPSCRW,HX,5/8-11X1-1/2,18-8SS HX HD	4
20	SX03000020	NUT,WING LC SERIES	5
21	SX18000027	COLLAR,280TC/320TSC,SHAFT LC	1
22	SX48000023	RING,RETAINING,736 SEAL	1
23	GX48104020	CAPSCRW,HX,1/4-28X3/8,18-8SS HX HD	4
25	GX10610400	CAPSCRW,HX,M12-1.75X30MM,18-8S HX HD	4
26	GX10610405	WASHER,LCK,1/2,18-8SS L SERIES	4



**Exploded View - Seal Only**

*Optional Items Shown in ITALICS*

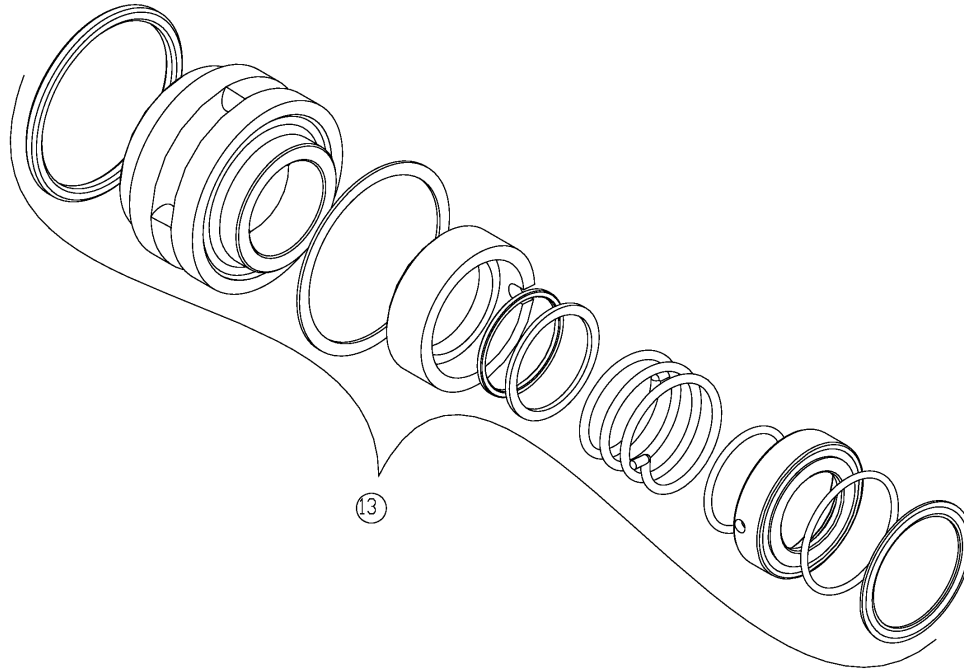
Ref #	Component Item No.	Description	Qty Per
13	<b>GS2600009-SC</b>	<b>KIT,736,SEAL,C/N/V LC</b>	<b>1</b>
	<i>GS2600009-SC/TC</i>	<i>KIT,736,SEAL,C/N/V,TAPR CARBN LC</i>	<i>1</i>
	<i>GS2600009-CO</i>	<i>KIT,736,SEAL,CO/N/V LC</i>	<i>1</i>
	<i>GS2600141</i>	<i>KIT,736,SEAL,FR/C/V LC</i>	<i>1</i>
	<i>GS2600132</i>	<i>KIT,736,SEAL,C/C/V LC</i>	<i>1</i>



**Exploded View**

*Optional Items Shown in ITALICS*

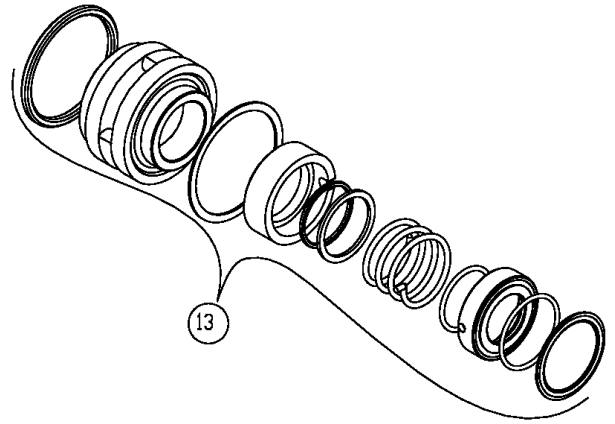
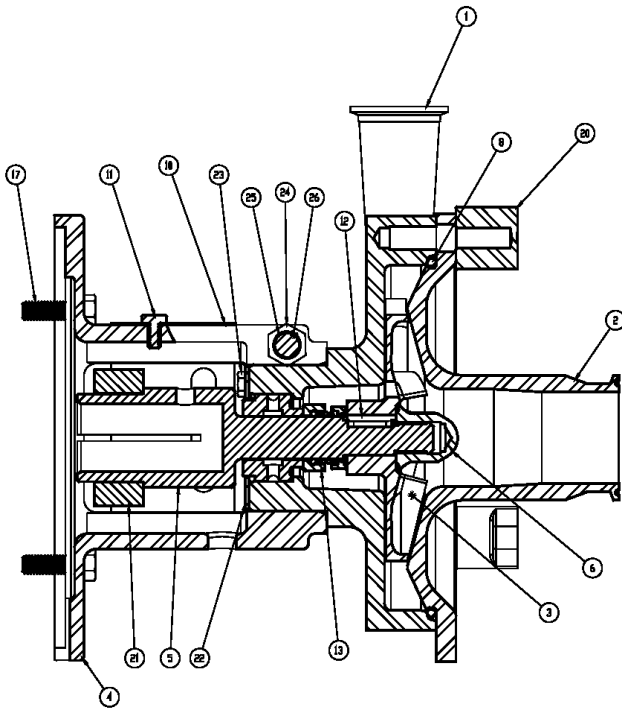
Ref #	Component Item No.	Description	Qty Per
1	SV24610000	CASING,56C-210TC,1-1/2 CLMP LC R20,R31	1
2	SC24620286	COVER,R20/R31,2 CLAMP L SERIES	1
	<i>SC24620437</i>	<i>COVER,R20/R31,2-1/2 CLAMP L SERIES</i>	1
3	SI24630051	IMPELLER,R20,145/18,145MAX LC/LD	1
4	SX10600087	ADAPTER,56C-140TC FRAME LC	1
5	SX00000134	STUBSHAFT,140TC,7/8 W/KEY LC	1
6	SI54000000	NUT,633,IMP,56C-210TC LC	1
8	GX80000334	GASKET,R20/31/V530,CVR,BUNA LC	1
	<i>GX80000351</i>	<i>GASKET,R20/31/V530,CVR,EPDM LC</i>	1
	<i>GX80000335</i>	<i>GASKET,R20/31/V530,CVR,VIT LC</i>	1
10	SX10614087	GUARD,SHAFT,56C-140TC,ADPT +BOLT LC	1
11	GX48104020	CAPSCRW,HX,1/4-28X3/8,18-8SS HX HD	1
12	SX15000002	KEY,56-280TSC LC	1
13	GS2600002-SC	KIT,633,SEAL,C/N/V LC	1
	<i>GS2600002-SC/TC</i>	<i>KIT,633,SEAL,C/N/V,TAPR CARBN LC</i>	1
	<i>GS2600002-CO</i>	<i>KIT,633,SEAL,CO/N/V LC</i>	1
	<i>GS2600005</i>	<i>KIT,633,SEAL,C/C/N LC</i>	1
	<i>GS2600135</i>	<i>KIT,633,SEAL,FR/C/N LC</i>	1
17	GX5077200	CAPSCRW,HX,3/8-16X1-1/4,18-8SS HX HD	4
20	SX03000020	NUT,WING LC SERIES	3
21	SX18000013	COLLAR,56C/140TC,SHAFT L SEE ITEM NOTES	1
22	SX48000021	RING,RETAINING,633 SEAL	1
23	GX48104020	CAPSCRW,HX,1/4-28X3/8,18-8SS HX HD	4
24	GX10610105	NUT,HEX,1/2-13,18-8SS L SERIES	1
25	GX10610100	CAPSCRW,HX,1/2-13X3-1/2,18-8SS HX HD	1
26	GX10610405	WASHER,LCK,1/2,18-8SS L SERIES	1



**Exploded View - Seal Only**

*Optional Items Shown in ITALICS*

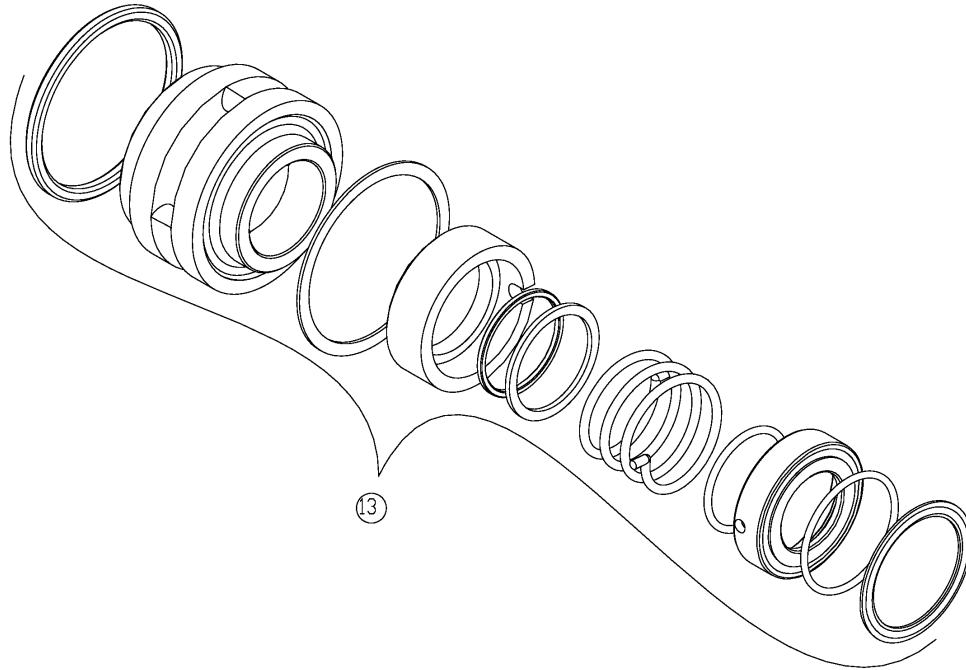
Ref #	Component Item No.	Description	Qty Per
13	<b>GS2600002-SC</b>	<b>KIT,633,SEAL,C/N/V LC</b>	<b>1</b>
	<i>GS2600002-SC/TC</i>	<i>KIT,633,SEAL,C/N/V,TAPR CARBN LC</i>	<i>1</i>
	<i>GS2600002-CO</i>	<i>KIT,633,SEAL,CO/N/V LC</i>	<i>1</i>
	<i>GS2600005</i>	<i>KIT,633,SEAL,C/C/V LC</i>	<i>1</i>
	<i>GS2600135</i>	<i>KIT,633,SEAL,FR/C/V LC</i>	<i>1</i>



**Exploded View**

*Optional Items Shown in ITALICS*

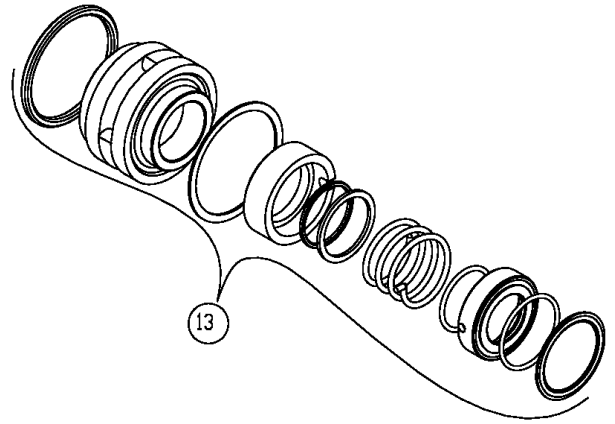
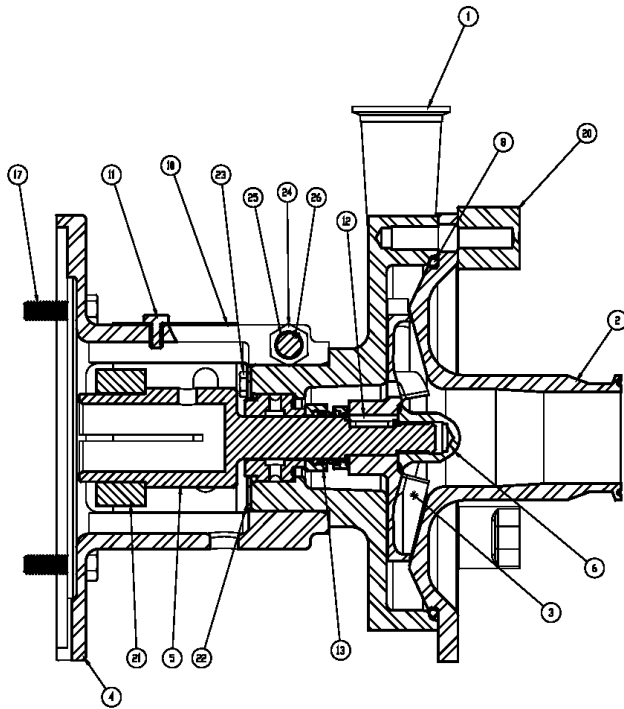
Ref #	Component Item No.	Description	Qty Per
1	SV24610000	CASING,56C-210TC,1-1/2 CLMP LC R20,R31	1
2	SC24620286	COVER,R20/R31,2 CLAMP L SERIES	1
	SC24620437	COVER,R20/R31,2-1/2 CLAMP L SERIES	1
3	SI24630051	IMPELLER,R20,145/18,145MAX LC/LD	1
4	SX10600007	ADAPTER,180/210TC FRAME LC	1
5	SX00000135	STUBSHAFT,180TC,1-1/8 W/KEY LC	1
6	SI54000000	NUT,633,IMP,56C-210TC LC	1
8	GX80000334	GASKET,R20/31/V530,CVR,BUNA LC	1
	GX80000351	GASKET,R20/31/V530,CVR,EPDM LC	1
	GX80000335	GASKET,R20/31/V530,CVR,VIT LC	1
10	SX10618007	GUARD,SHAFT,180-210TC ADPTR +BOLT LC	1
11	GX48104020	CAPSCRW,HX,1/4-28X3/8,18-8SS HX HD	1
12	SX15000002	KEY,56-280TSC LC	1
13	GS2600002-SC	KIT,633,SEAL,C/N/V LC	1
	GS2600002-SC/TC	KIT,633,SEAL,C/N/V, TAPR CARBN LC	1
	GS2600002-CO	KIT,633,SEAL,CO/N/V LC	1
	GS2600005	KIT,633,SEAL,C/C/N LC	1
	GS2600135	KIT,633,SEAL,FR/C/N LC	1
17	SC1710H-SS	CAPSCRW,HX,1/2-13X1,18-8SS HX HD	4
20	SX03000020	NUT,WING LC SERIES	3
21	SX18000014	COLLAR,180TC,SHAFT LC	1
22	SX48000021	RING,RETAINING,633 SEAL	1
23	GX48104020	CAPSCRW,HX,1/4-28X3/8,18-8SS HX HD	4
24	GX10610105	NUT,HEX,1/2-13,18-8SS L SERIES	1
25	GX10610100	CAPSCRW,HX,1/2-13X3-1/2,18-8SS HX HD	1
26	GX10610405	WASHER,LCK,1/2,18-8SS L SERIES	1



**Exploded View - Seal Only**

*Optional Items Shown in ITALICS*

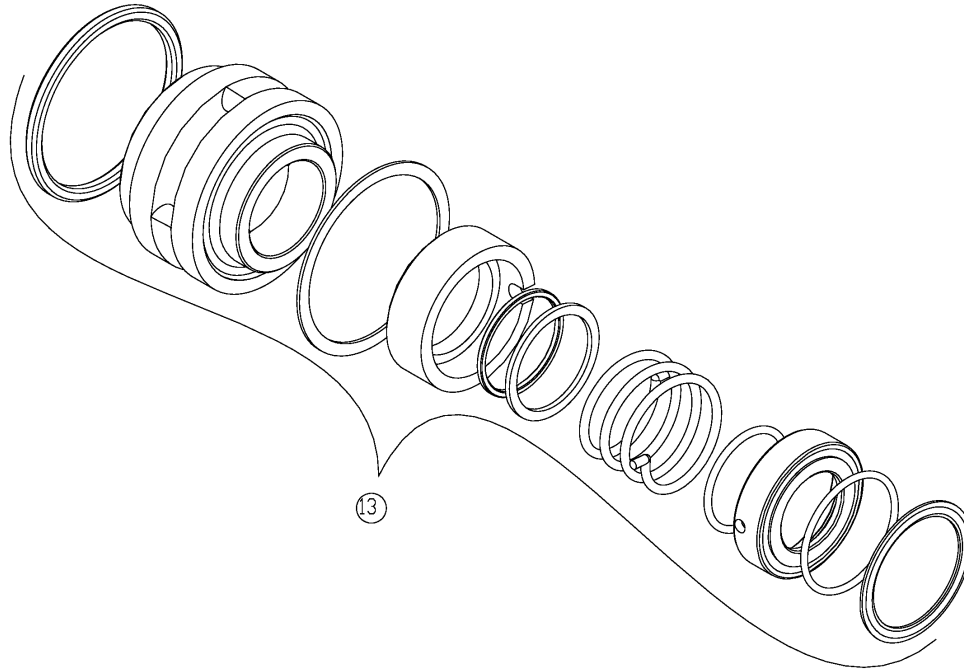
Ref #	Component Item No.	Description	Qty Per
13	<b>GS2600002-SC</b>	<b>KIT,633,SEAL,C/N/V LC</b>	<b>1</b>
	<i>GS2600002-SC/TC</i>	<i>KIT,633,SEAL,C/N/V,TAPR CARBN LC</i>	<i>1</i>
	<i>GS2600002-CO</i>	<i>KIT,633,SEAL,CO/N/V LC</i>	<i>1</i>
	<i>GS2600005</i>	<i>KIT,633,SEAL,C/C/V LC</i>	<i>1</i>
	<i>GS2600135</i>	<i>KIT,633,SEAL,FR/C/V LC</i>	<i>1</i>



**Exploded View**

*Optional Items Shown in ITALICS*

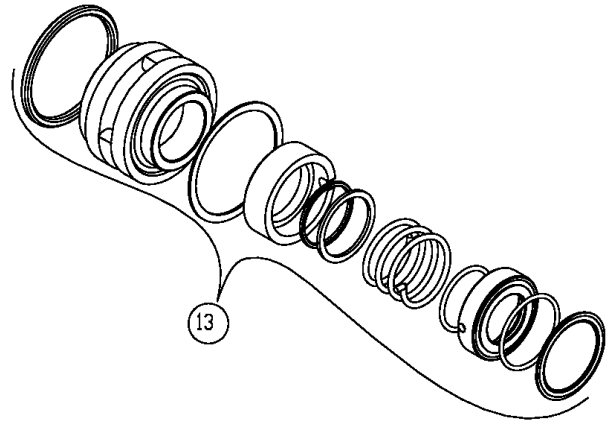
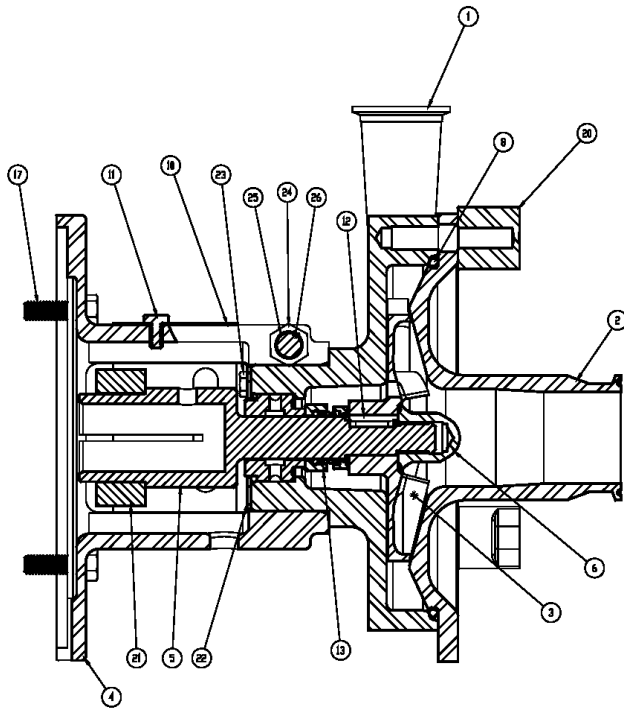
Ref #	Component Item No.	Description	Qty Per
1	SV24610000	CASING,56C-210TC,1-1/2 CLMP LC R20,R31	1
2	SC24620286	COVER,R20/R31,2 CLAMP L SERIES	1
	SC24620437	COVER,R20/R31,2-1/2 CLAMP L SERIES	1
3	SI24630051	IMPELLER,R20,145/18,145MAX LC/LD	1
4	SX10600007	ADAPTER,180/210TC FRAME LC	1
5	SX00000136	STUBSHAFT,210TC,1-3/8 W/KEY LC	1
6	SI54000000	NUT,633,IMP,56C-210TC LC	1
8	GX80000334	GASKET,R20/31/V530,CVR,BUNA LC	1
	GX80000351	GASKET,R20/31/V530,CVR,EPDM LC	1
	GX80000335	GASKET,R20/31/V530,CVR,VIT LC	1
10	SX10618007	GUARD,SHAFT,180-210TC ADPTR +BOLT LC	1
11	GX48104020	CAPSCRW,HX,1/4-28X3/8,18-8SS HX HD	1
12	SX15000002	KEY,56-280TSC LC	1
13	GS2600002-SC	KIT,633,SEAL,C/N/V LC	1
	GS2600002-SC/TC	KIT,633,SEAL,C/N/V, TAPR CARBN LC	1
	GS2600002-CO	KIT,633,SEAL,CO/N/V LC	1
	GS2600005	KIT,633,SEAL,C/C/N LC	1
	GS2600135	KIT,633,SEAL,FR/C/N LC	1
17	SC1710H-SS	CAPSCRW,HX,1/2-13X1,18-8SS HX HD	4
20	SX03000020	NUT,WING LC SERIES	3
21	SX18000015	COLLAR,210TC,SHAFT LC	1
22	SX48000021	RING,RETAINING,633 SEAL	1
23	GX48104020	CAPSCRW,HX,1/4-28X3/8,18-8SS HX HD	4
24	GX10610105	NUT,HEX,1/2-13,18-8SS L SERIES	1
25	GX10610100	CAPSCRW,HX,1/2-13X3-1/2,18-8SS HX HD	1
26	GX10610405	WASHER,LCK,1/2,18-8SS L SERIES	1



**Exploded View - Seal Only**

*Optional Items Shown in ITALICS*

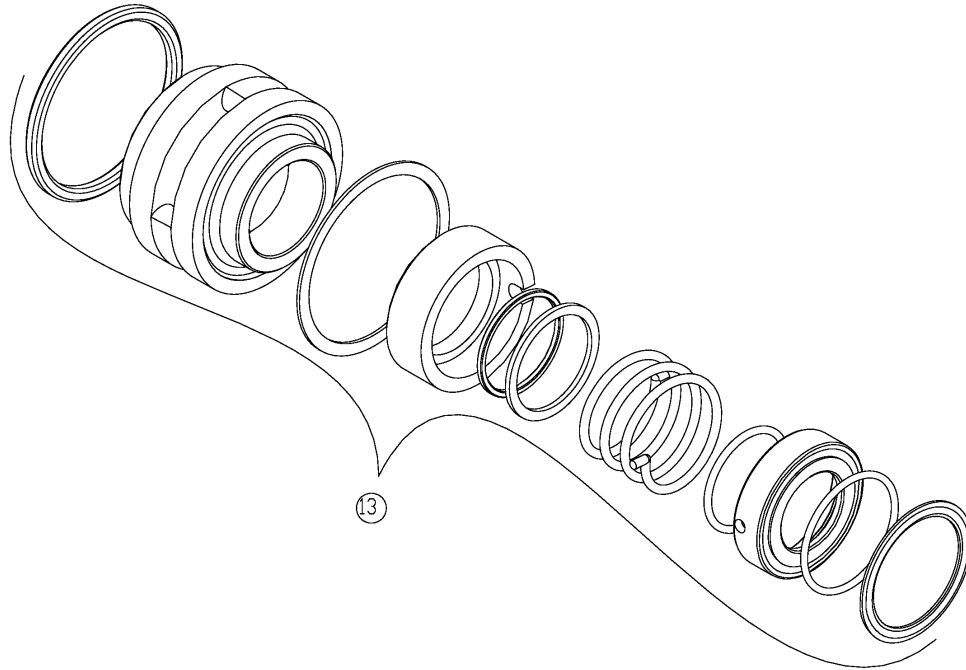
Ref #	Component Item No.	Description	Qty Per
13	<b>GS2600002-SC</b>	<b>KIT,633,SEAL,C/N/V LC</b>	<b>1</b>
	<i>GS2600002-SC/TC</i>	<i>KIT,633,SEAL,C/N/V,TAPR CARBN LC</i>	<i>1</i>
	<i>GS2600002-CO</i>	<i>KIT,633,SEAL,CO/N/V LC</i>	<i>1</i>
	<i>GS2600005</i>	<i>KIT,633,SEAL,C/C/V LC</i>	<i>1</i>
	<i>GS2600135</i>	<i>KIT,633,SEAL,FR/C/V LC</i>	<i>1</i>



**Exploded View**

*Optional Items Shown in ITALICS*

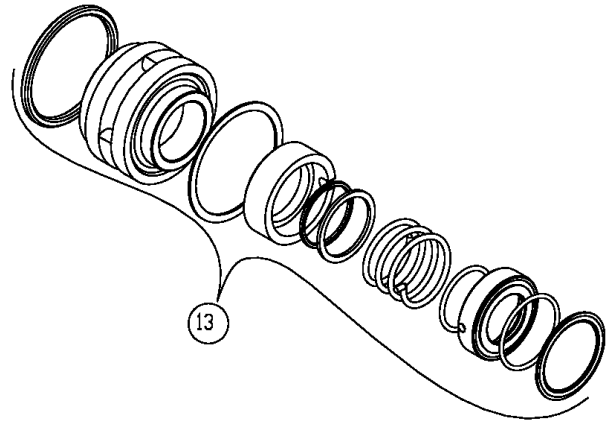
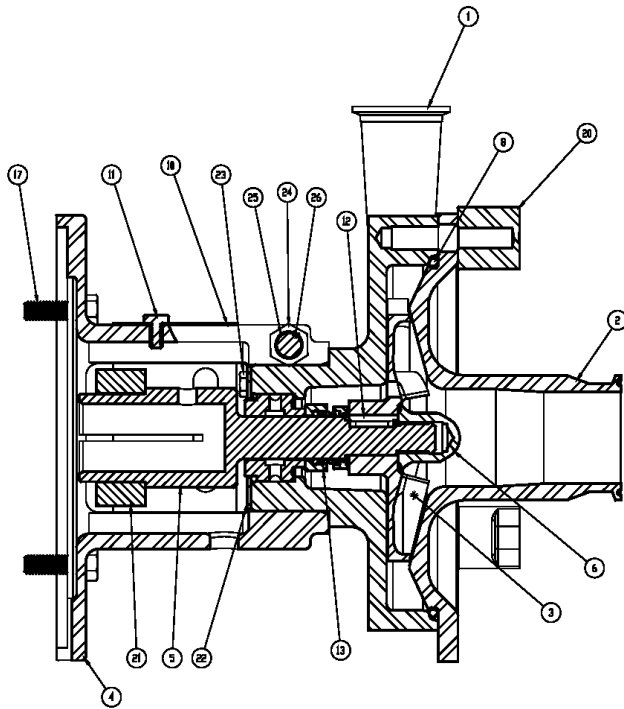
Ref #	Component Item No.	Description	Qty Per
1	SV24610000	CASING,56C-210TC,1-1/2 CLMP LC R20,R31	1
2	SC24620286	COVER,R20/R31,2 CLAMP L SERIES	1
	SC24620437	COVER,R20/R31,2-1/2 CLAMP L SERIES	1
3	SI24632251	IMPELLER,R20 E,170/18,170MAX LC	1
4	SX10600007	ADAPTER,180/210TC FRAME LC	1
5	SX00000135	STUBSHAFT,180TC,1-1/8 W/KEY LC	1
6	SI54000000	NUT,633,IMP,56C-210TC LC	1
8	GX80000334	GASKET,R20/31/V530,CVR,BUNA LC	1
	GX80000351	GASKET,R20/31/V530,CVR,EPDM LC	1
	GX80000335	GASKET,R20/31/V530,CVR,VIT LC	1
10	SX10618007	GUARD,SHAFT,180-210TC ADPTR +BOLT LC	1
11	GX48104020	CAPSCRW,HX,1/4-28X3/8,18-8SS HX HD	1
12	SX15000002	KEY,56-280TSC LC	1
13	GS2600002-SC	KIT,633,SEAL,C/N/V LC	1
	GS2600002-SC/TC	KIT,633,SEAL,C/N/V, TAPR CARBN LC	1
	GS2600002-CO	KIT,633,SEAL,CO/N/V LC	1
	GS2600005	KIT,633,SEAL,C/C/N LC	1
	GS2600135	KIT,633,SEAL,FR/C/N LC	1
17	SC1710H-SS	CAPSCRW,HX,1/2-13X1,18-8SS HX HD	4
20	SX03000020	NUT,WING LC SERIES	3
21	SX18000014	COLLAR,180TC,SHAFT LC	1
22	SX48000021	RING,RETAINING,633 SEAL	1
23	GX48104020	CAPSCRW,HX,1/4-28X3/8,18-8SS HX HD	4
24	GX10610105	NUT,HEX,1/2-13,18-8SS L SERIES	1
25	GX10610100	CAPSCRW,HX,1/2-13X3-1/2,18-8SS HX HD	1
26	GX10610405	WASHER,LCK,1/2,18-8SS L SERIES	1



**Exploded View - Seal Only**

*Optional Items Shown in ITALICS*

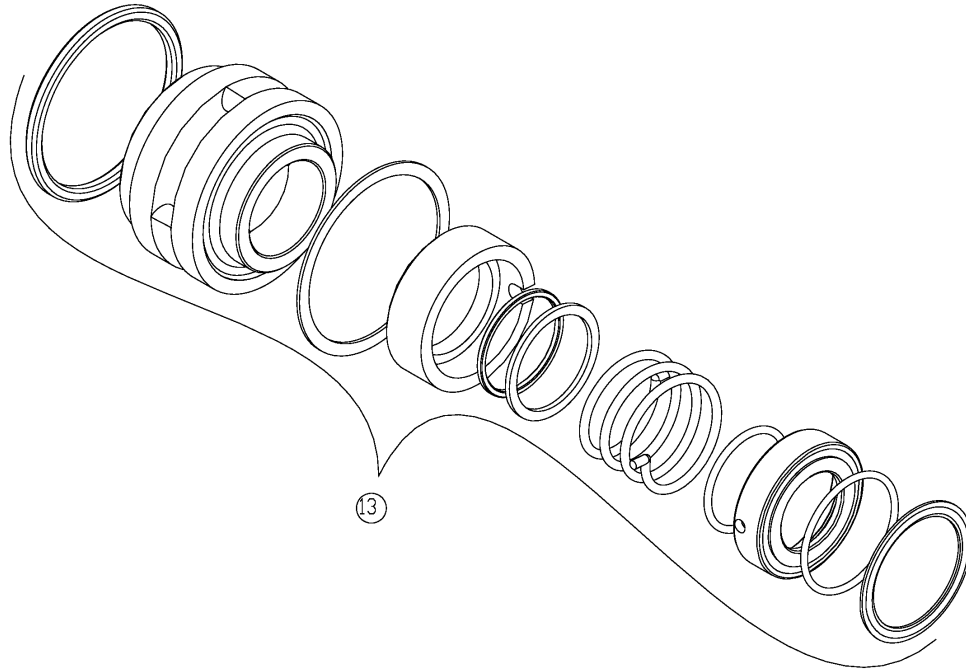
Ref #	Component Item No.	Description	Qty Per
13	<b>GS2600002-SC</b>	<b>KIT,633,SEAL,C/N/V LC</b>	<b>1</b>
	<i>GS2600002-SC/TC</i>	<i>KIT,633,SEAL,C/N/V,TAPR CARBN LC</i>	<i>1</i>
	<i>GS2600002-CO</i>	<i>KIT,633,SEAL,CO/N/V LC</i>	<i>1</i>
	<i>GS2600005</i>	<i>KIT,633,SEAL,C/C/V LC</i>	<i>1</i>
	<i>GS2600135</i>	<i>KIT,633,SEAL,FR/C/V LC</i>	<i>1</i>



**Exploded View**

*Optional Items Shown in ITALICS*

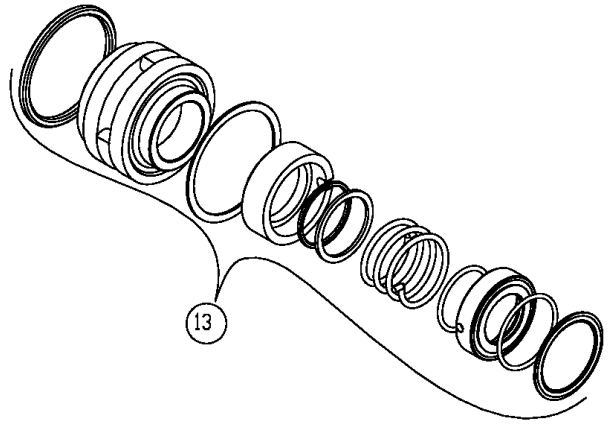
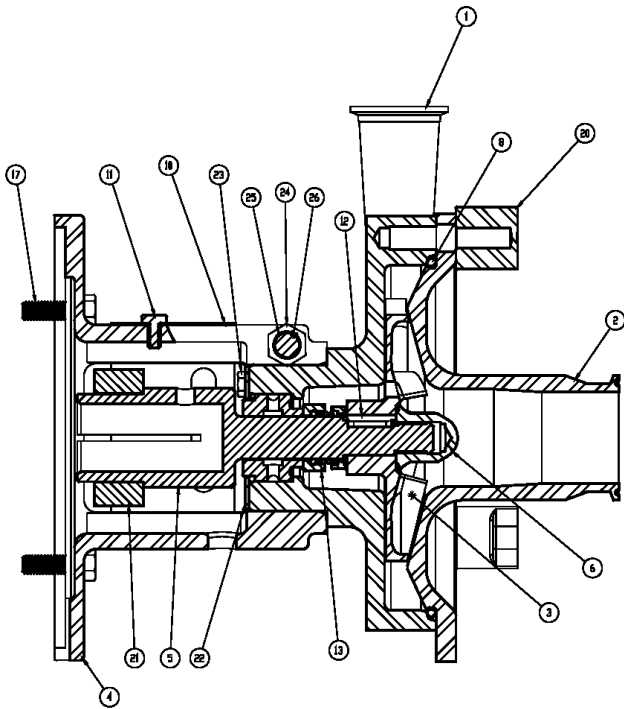
Ref #	Component Item No.	Description	Qty Per
1	SV24610000	CASING,56C-210TC,1-1/2 CLMP LC R20,R31	1
2	SC24620286	COVER,R20/R31,2 CLAMP L SERIES	1
	SC24620437	COVER,R20/R31,2-1/2 CLAMP L SERIES	1
3	SI24632251	IMPELLER,R20 E,170/18,170MAX LC	1
4	SX10600007	ADAPTER,180/210TC FRAME LC	1
5	SX00000136	STUBSHAFT,210TC,1-3/8 W/KEY LC	1
6	SI54000000	NUT,633,IMP,56C-210TC LC	1
8	GX80000334	GASKET,R20/31/V530,CVR,BUNA LC	1
	GX80000351	GASKET,R20/31/V530,CVR,EPDM LC	1
	GX80000335	GASKET,R20/31/V530,CVR,VIT LC	1
10	SX10618007	GUARD,SHAFT,180-210TC ADPTR +BOLT LC	1
11	GX48104020	CAPSCRW,HX,1/4-28X3/8,18-8SS HX HD	1
12	SX15000002	KEY,56-280TSC LC	1
13	GS2600002-SC	KIT,633,SEAL,C/N/V LC	1
	GS2600002-SC/TC	KIT,633,SEAL,C/N/V, TAPR CARBN LC	1
	GS2600002-CO	KIT,633,SEAL,CO/N/V LC	1
	GS2600005	KIT,633,SEAL,C/C/N LC	1
	GS2600135	KIT,633,SEAL,FR/C/N LC	1
17	SC1710H-SS	CAPSCRW,HX,1/2-13X1,18-8SS HX HD	4
20	SX03000020	NUT,WING LC SERIES	3
21	SX18000015	COLLAR,210TC,SHAFT LC	1
22	SX48000021	RING,RETAINING,633 SEAL	1
23	GX48104020	CAPSCRW,HX,1/4-28X3/8,18-8SS HX HD	4
24	GX10610105	NUT,HEX,1/2-13,18-8SS L SERIES	1
25	GX10610100	CAPSCRW,HX,1/2-13X3-1/2,18-8SS HX HD	1
26	GX10610405	WASHER,LCK,1/2,18-8SS L SERIES	1



**Exploded View - Seal Only**

*Optional Items Shown in ITALICS*

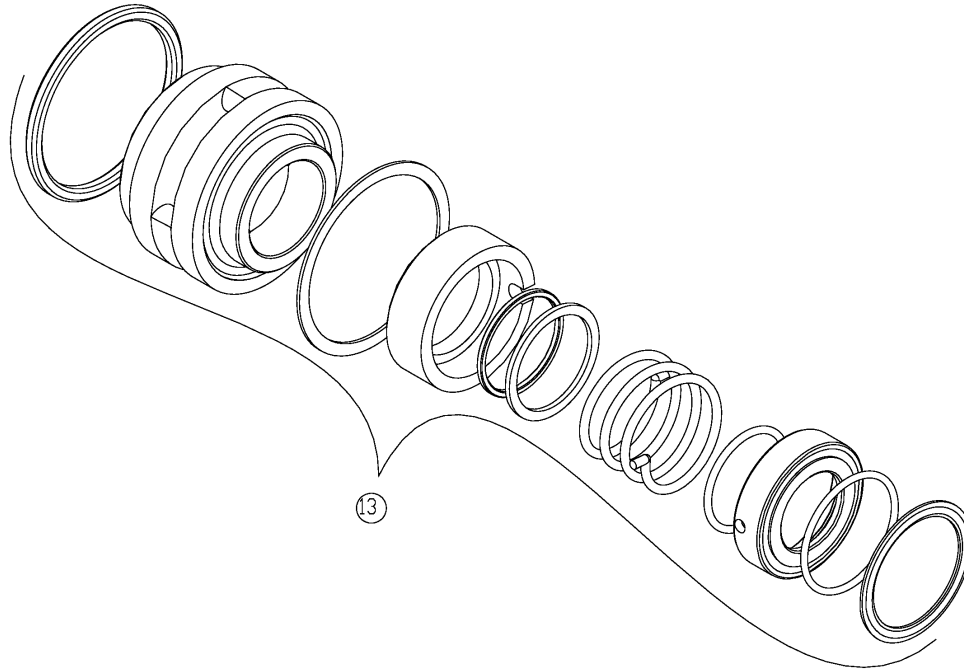
Ref #	Component Item No.	Description	Qty Per
13	<b>GS2600002-SC</b>	<b>KIT,633,SEAL,C/N/V LC</b>	<b>1</b>
	<i>GS2600002-SC/TC</i>	<i>KIT,633,SEAL,C/N/V,TAPR CARBN LC</i>	<i>1</i>
	<i>GS2600002-CO</i>	<i>KIT,633,SEAL,CO/N/V LC</i>	<i>1</i>
	<i>GS2600005</i>	<i>KIT,633,SEAL,C/C/V LC</i>	<i>1</i>
	<i>GS2600135</i>	<i>KIT,633,SEAL,FR/C/V LC</i>	<i>1</i>



**Exploded View**

*Optional Items Shown in ITALICS*

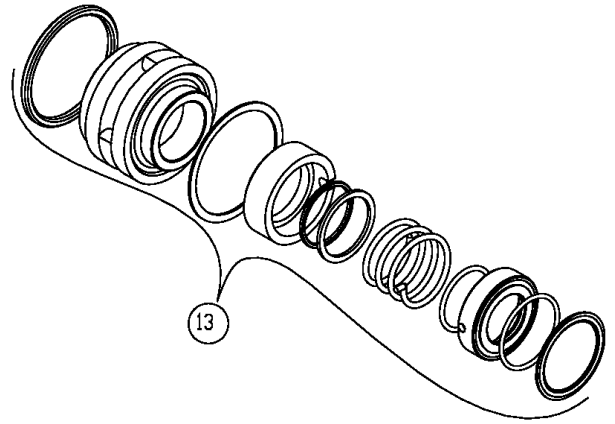
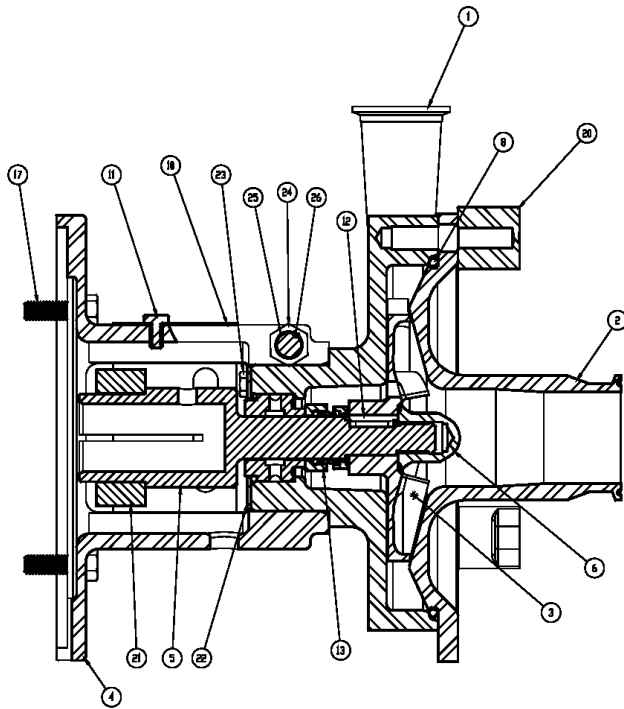
Ref #	Component Item No.	Description	Qty Per
1	SV24610000	CASING,56C-210TC,1-1/2 CLMP LC R20,R31	1
2	SC24620286	COVER,R20/R31,2 CLAMP L SERIES	1
	SC24620437	COVER,R20/R31,2-1/2 CLAMP L SERIES	1
3	SI24630065	IMPELLER,R31,175/18,175MAX LC/LD	1
4	SX10600087	ADAPTER,56C-140TC FRAME LC	1
5	SX00000134	STUBSHAFT,140TC,7/8 W/KEY LC	1
6	SI54000000	NUT,633,IMP,56C-210TC LC	1
8	GX80000334	GASKET,R20/31/V530,CVR,BUNA LC	1
	GX80000351	GASKET,R20/31/V530,CVR,EPDM LC	1
	GX80000335	GASKET,R20/31/V530,CVR,VIT LC	1
10	SX10614087	GUARD,SHAFT,56C-140TC,ADPT +BOLT LC	1
11	GX48104020	CAPSCRW,HX,1/4-28X3/8,18-8SS HX HD	1
12	SX15000002	KEY,56-280TSC LC	1
13	GS2600002-SC	KIT,633,SEAL,C/N/V LC	1
	GS2600002-SC/TC	KIT,633,SEAL,C/N/V, TAPR CARBN LC	1
	GS2600002-CO	KIT,633,SEAL,CO/N/V LC	1
	GS2600005	KIT,633,SEAL,C/C/N LC	1
	GS2600135	KIT,633,SEAL,FR/C/N LC	1
17	GX5077100	CAPSCRW,HX,3/8-16X1,18-8SS HX HD	4
20	SX03000020	NUT,WING LC SERIES	3
21	SX18000013	COLLAR,56C/140TC,SHAFT L SEE ITEM NOTES	1
22	SX48000021	RING,RETAINING,633 SEAL	1
23	GX48104020	CAPSCRW,HX,1/4-28X3/8,18-8SS HX HD	4
24	GX10610105	NUT,HEX,1/2-13,18-8SS L SERIES	1
25	GX10610100	CAPSCRW,HX,1/2-13X3-1/2,18-8SS HX HD	1
26	GX10610405	WASHER,LCK,1/2,18-8SS L SERIES	1



**Exploded View - Seal Only**

*Optional Items Shown in ITALICS*

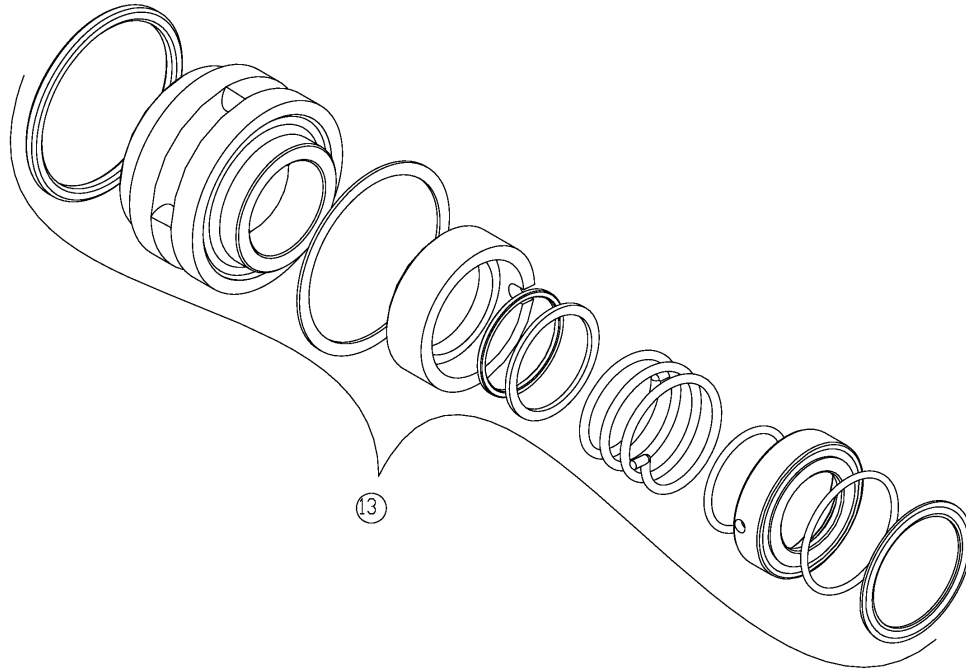
Ref #	Component Item No.	Description	Qty Per
13	<b>GS2600002-SC</b>	<b>KIT,633,SEAL,C/N/V LC</b>	<b>1</b>
	<i>GS2600002-SC/TC</i>	<i>KIT,633,SEAL,C/N/V,TAPR CARBN LC</i>	<i>1</i>
	<i>GS2600002-CO</i>	<i>KIT,633,SEAL,CO/N/V LC</i>	<i>1</i>
	<i>GS2600005</i>	<i>KIT,633,SEAL,C/C/V LC</i>	<i>1</i>
	<i>GS2600135</i>	<i>KIT,633,SEAL,FR/C/V LC</i>	<i>1</i>



**Exploded View**

*Optional Items Shown in ITALICS*

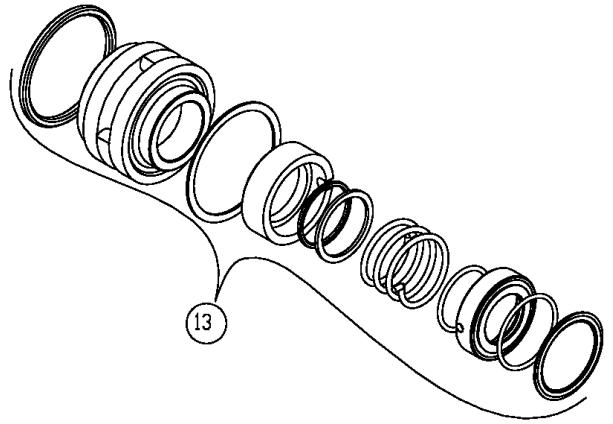
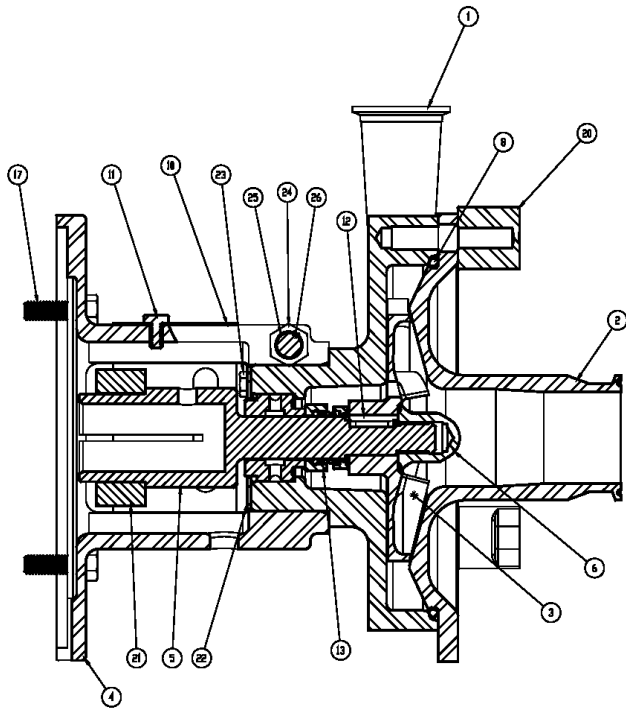
Ref #	Component Item No.	Description	Qty Per
1	SV24610000	CASING,56C-210TC,1-1/2 CLMP LC R20,R31	1
2	SC24620286	COVER,R20/R31,2 CLAMP L SERIES	1
	SC24620437	COVER,R20/R31,2-1/2 CLAMP L SERIES	1
3	SI24630065	IMPELLER,R31,175/18,175MAX LC/LD	1
4	SX10600007	ADAPTER,180/210TC FRAME LC	1
5	SX00000135	STUBSHAFT,180TC,1-1/8 W/KEY LC	1
6	SI54000000	NUT,633,IMP,56C-210TC LC	1
8	GX80000334	GASKET,R20/31/V530,CVR,BUNA LC	1
	GX80000351	GASKET,R20/31/V530,CVR,EPDM LC	1
	GX80000335	GASKET,R20/31/V530,CVR,VIT LC	1
10	SX10618007	GUARD,SHAFT,180-210TC ADPTR +BOLT LC	1
11	GX48104020	CAPSCRW,HX,1/4-28X3/8,18-8SS HX HD	1
12	SX15000002	KEY,56-280TSC LC	1
13	GS2600002-SC	KIT,633,SEAL,C/N/V LC	1
	GS2600002-SC/TC	KIT,633,SEAL,C/N/V, TAPR CARBN LC	1
	GS2600002-CO	KIT,633,SEAL,CO/N/V LC	1
	GS2600005	KIT,633,SEAL,C/C/N LC	1
	GS2600135	KIT,633,SEAL,FR/C/N LC	1
17	SC1710H-SS	CAPSCRW,HX,1/2-13X1,18-8SS HX HD	4
20	SX03000020	NUT,WING LC SERIES	3
21	SX18000014	COLLAR,180TC,SHAFT LC	1
22	SX48000021	RING,RETAINING,633 SEAL	1
23	GX48104020	CAPSCRW,HX,1/4-28X3/8,18-8SS HX HD	4
24	GX10610105	NUT,HEX,1/2-13,18-8SS L SERIES	1
25	GX10610100	CAPSCRW,HX,1/2-13X3-1/2,18-8SS HX HD	1
26	GX10610405	WASHER,LCK,1/2,18-8SS L SERIES	1



**Exploded View - Seal Only**

*Optional Items Shown in ITALICS*

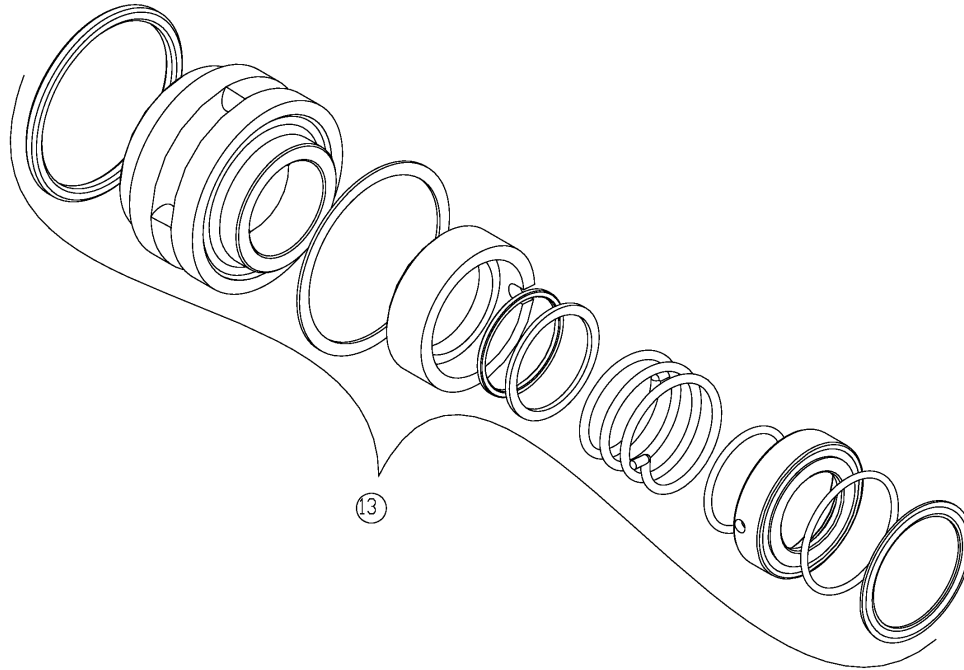
Ref #	Component Item No.	Description	Qty Per
13	<b>GS2600002-SC</b>	<b>KIT,633,SEAL,C/N/V LC</b>	<b>1</b>
	<i>GS2600002-SC/TC</i>	<i>KIT,633,SEAL,C/N/V,TAPR CARBN LC</i>	<i>1</i>
	<i>GS2600002-CO</i>	<i>KIT,633,SEAL,CO/N/V LC</i>	<i>1</i>
	<i>GS2600005</i>	<i>KIT,633,SEAL,C/C/V LC</i>	<i>1</i>
	<i>GS2600135</i>	<i>KIT,633,SEAL,FR/C/V LC</i>	<i>1</i>



**Exploded View**

*Optional Items Shown in ITALICS*

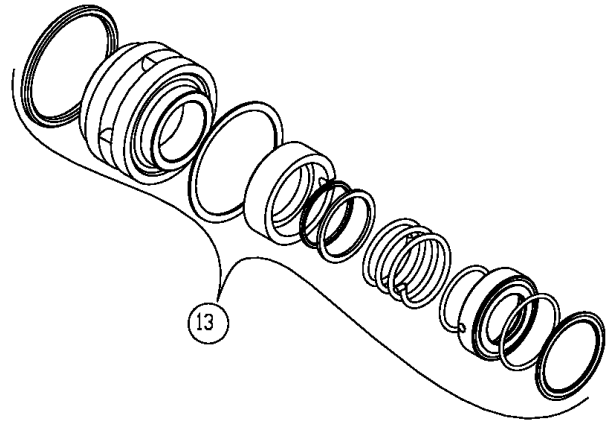
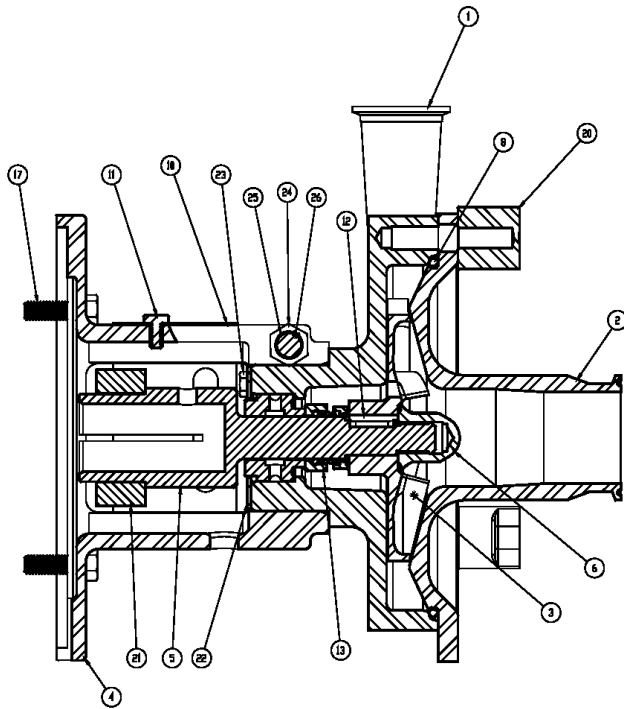
Ref #	Component Item No.	Description	Qty Per
1	SV24610000	CASING,56C-210TC,1-1/2 CLMP LC R20,R31	1
2	SC24620286	COVER,R20/R31,2 CLAMP L SERIES	1
	SC24620437	COVER,R20/R31,2-1/2 CLAMP L SERIES	1
3	SI24630065	IMPELLER,R31,175/18,175MAX LC/LD	1
4	SX10600007	ADAPTER,180/210TC FRAME LC	1
5	SX00000136	STUBSHAFT,210TC,1-3/8 W/KEY LC	1
6	SI54000000	NUT,633,IMP,56C-210TC LC	1
8	GX80000334	GASKET,R20/31/V530,CVR,BUNA LC	1
	GX80000351	GASKET,R20/31/V530,CVR,EPDM LC	1
	GX80000335	GASKET,R20/31/V530,CVR,VIT LC	1
10	SX10618007	GUARD,SHAFT,180-210TC ADPTR +BOLT LC	1
11	GX48104020	CAPSCRW,HX,1/4-28X3/8,18-8SS HX HD	1
12	SX15000002	KEY,56-280TSC LC	1
13	GS2600002-SC	KIT,633,SEAL,C/N/V LC	1
	GS2600002-SC/TC	KIT,633,SEAL,C/N/V, TAPR CARBN LC	1
	GS2600002-CO	KIT,633,SEAL,CO/N/V LC	1
	GS2600005	KIT,633,SEAL,C/C/N LC	1
	GS2600135	KIT,633,SEAL,FR/C/N LC	1
17	SC1710H-SS	CAPSCRW,HX,1/2-13X1,18-8SS HX HD	4
20	SX03000020	NUT,WING LC SERIES	3
21	SX18000015	COLLAR,210TC,SHAFT LC	1
22	SX48000021	RING,RETAINING,633 SEAL	1
23	GX48104020	CAPSCRW,HX,1/4-28X3/8,18-8SS HX HD	4
24	GX10610105	NUT,HEX,1/2-13,18-8SS L SERIES	1
25	GX10610100	CAPSCRW,HX,1/2-13X3-1/2,18-8SS HX HD	1
26	GX10610405	WASHER,LCK,1/2,18-8SS L SERIES	1



**Exploded View - Seal Only**

*Optional Items Shown in ITALICS*

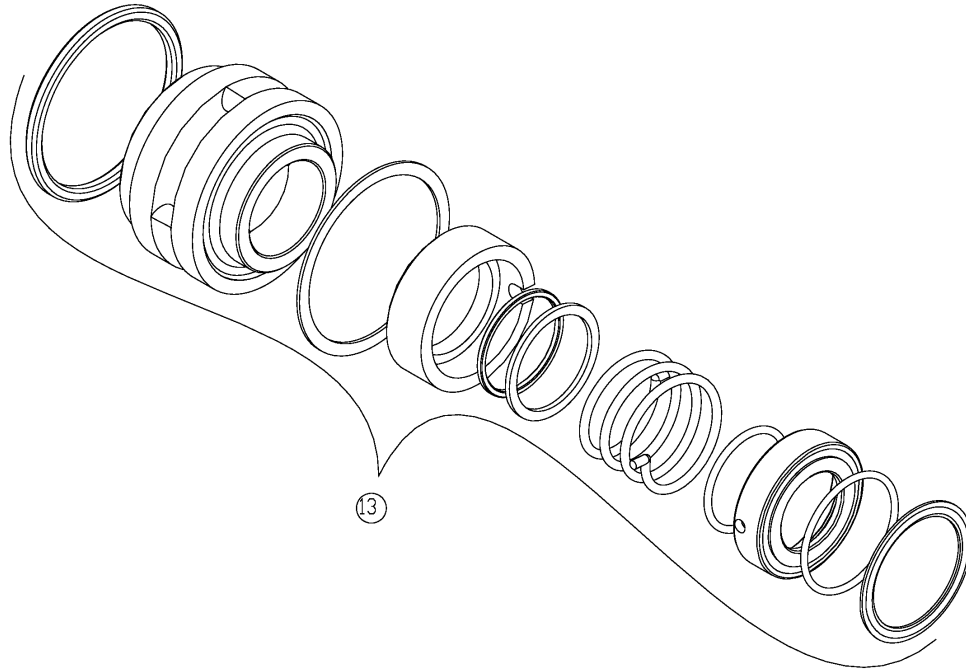
Ref #	Component Item No.	Description	Qty Per
13	<b>GS2600002-SC</b>	<b>KIT,633,SEAL,C/N/V LC</b>	<b>1</b>
	<i>GS2600002-SC/TC</i>	<i>KIT,633,SEAL,C/N/V,TAPR CARBN LC</i>	<i>1</i>
	<i>GS2600002-CO</i>	<i>KIT,633,SEAL,CO/N/V LC</i>	<i>1</i>
	<i>GS2600005</i>	<i>KIT,633,SEAL,C/C/V LC</i>	<i>1</i>
	<i>GS2600135</i>	<i>KIT,633,SEAL,FR/C/V LC</i>	<i>1</i>



**Exploded View**

*Optional Items Shown in ITALICS*

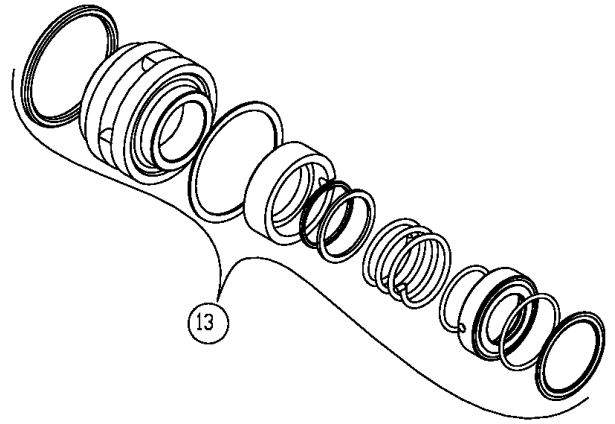
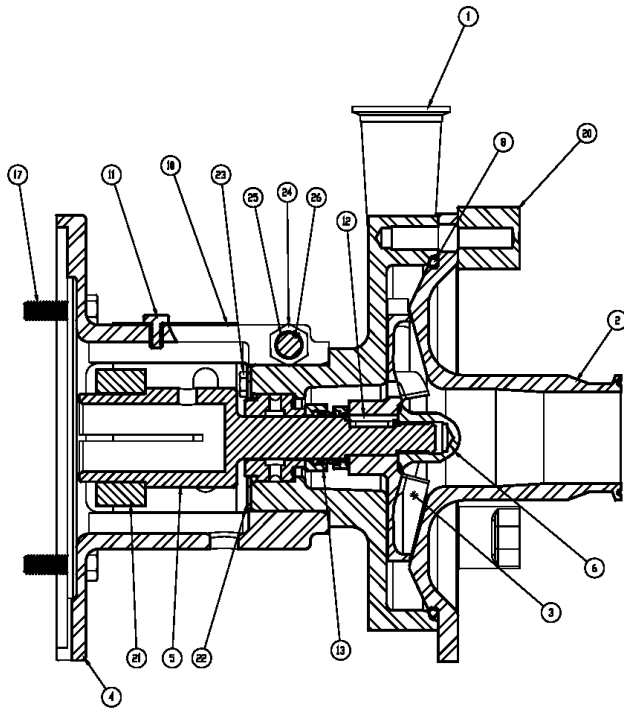
Ref #	Component Item No.	Description	Qty Per
1	SV44610001	CASING,140-210TC,2 CLMP LC R32,R40	1
2	SC44620279	COVER,R32/R40/R132,2-1/2 CLMP L SERIES	1
	SC44620432	COVER,R32/40/132/140,3 CLAMP L SERIES	1
3	SI44630268	IMPELLER,R40,205/18,205MAX LC/LD	1
4	SX10600087	ADAPTER,56C-140TC FRAME LC	1
5	SX00000134	STUBSHAFT,140TC,7/8 W/KEY LC	1
6	SI54000000	NUT,633,IMP,56C-210TC LC	1
8	GX80000337	O-RING,R32/40/132/140,CVR,BUNA LC	1
	GX80000349	GASKET,R32/40/132/140,CVR,EPDM LC	1
	GX80000338	GASKET,R32/40/132/R140,CVR,VIT LC	1
10	SX10614087	GUARD,SHAFT,56C-140TC,ADPT +BOLT LC	1
11	GX48104020	CAPSCRW,HX,1/4-28X3/8,18-8SS HX HD	1
12	SX15000002	KEY,56-280TSC LC	1
13	GS2600002-SC	KIT,633,SEAL,C/N/V LC	1
	GS2600002-SC/TC	KIT,633,SEAL,C/N/V, TAPR CARBN LC	1
	GS2600002-CO	KIT,633,SEAL,CO/N/V LC	1
	GS2600005	KIT,633,SEAL,C/C/N LC	1
	GS2600135	KIT,633,SEAL,FR/C/N LC	1
17	GX5077100	CAPSCRW,HX,3/8-16X1,18-8SS HX HD	4
20	SX03000020	NUT,WING LC SERIES	5
21	SX18000013	COLLAR,56C/140TC,SHAFT L SEE ITEM NOTES	1
22	SX48000021	RING,RETAINING,633 SEAL	1
23	GX48104020	CAPSCRW,HX,1/4-28X3/8,18-8SS HX HD	4
24	GX10610105	NUT,HEX,1/2-13,18-8SS L SERIES	1
25	GX10610100	CAPSCRW,HX,1/2-13X3-1/2,18-8SS HX HD	1
26	GX10610405	WASHER,LCK,1/2,18-8SS L SERIES	1



**Exploded View - Seal Only**

*Optional Items Shown in ITALICS*

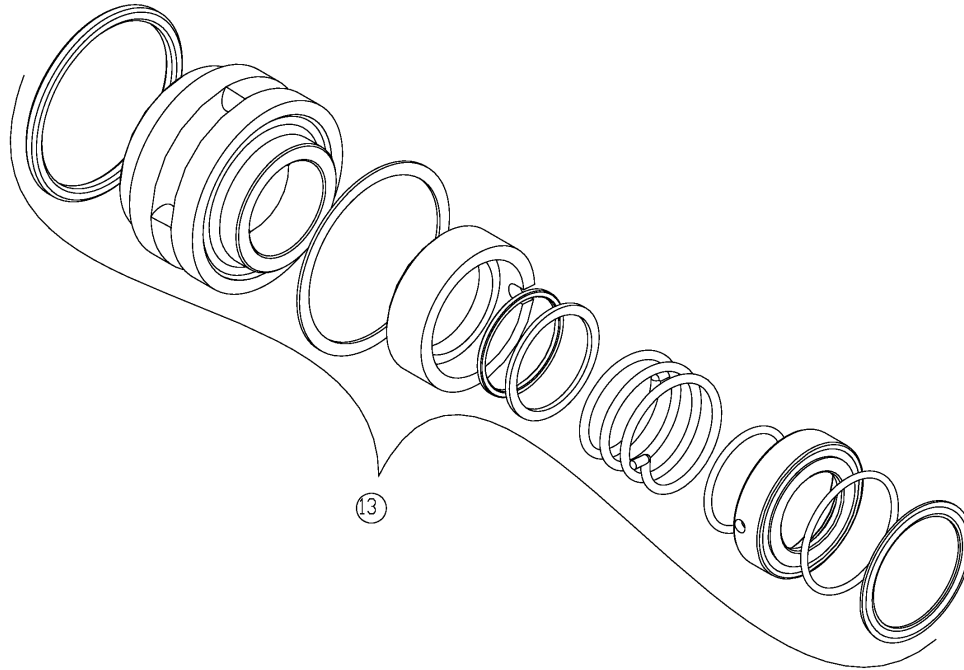
Ref #	Component Item No.	Description	Qty Per
13	<b>GS2600002-SC</b>	<b>KIT,633,SEAL,C/N/V LC</b>	<b>1</b>
	<i>GS2600002-SC/TC</i>	<i>KIT,633,SEAL,C/N/V,TAPR CARBN LC</i>	<i>1</i>
	<i>GS2600002-CO</i>	<i>KIT,633,SEAL,CO/N/V LC</i>	<i>1</i>
	<i>GS2600005</i>	<i>KIT,633,SEAL,C/C/V LC</i>	<i>1</i>
	<i>GS2600135</i>	<i>KIT,633,SEAL,FR/C/V LC</i>	<i>1</i>



**Exploded View**

*Optional Items Shown in ITALICS*

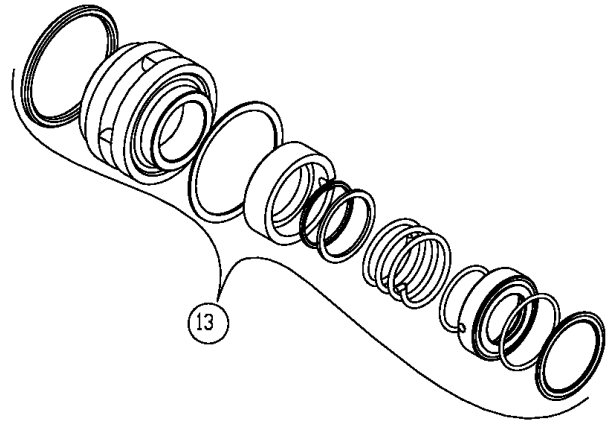
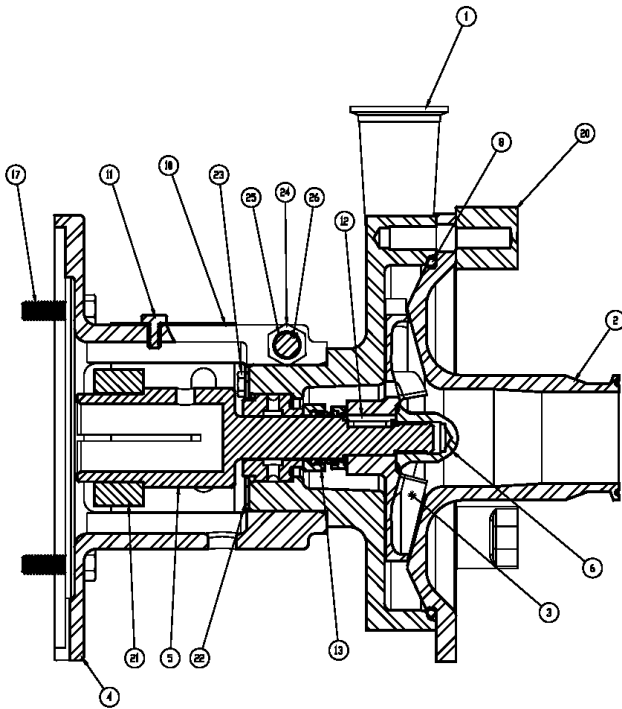
Ref #	Component Item No.	Description	Qty Per
1	SV44610001	CASING,140-210TC,2 CLMP LC R32,R40	1
2	SC44620279	COVER,R32/R40/R132,2-1/2 CLMP L SERIES	1
	SC44620432	COVER,R32/40/132/140,3 CLAMP L SERIES	1
3	SI44630268	IMPELLER,R40,205/18,205MAX LC/LD	1
4	SX10600007	ADAPTER,180/210TC FRAME LC	1
5	SX00000135	STUBSHAFT,180TC,1-1/8 W/KEY LC	1
6	SI54000000	NUT,633,IMP,56C-210TC LC	1
8	GX80000337	O-RING,R32/40/132/140,CVR,BUNA LC	1
	GX80000349	GASKET,R32/40/132/140,CVR,EPDM LC	1
	GX80000338	GASKET,R32/40/132/R140,CVR,VIT LC	1
10	SX10618007	GUARD,SHAFT,180-210TC ADPTR +BOLT LC	1
11	GX48104020	CAPSCRW,HX,1/4-28X3/8,18-8SS HX HD	1
12	SX15000002	KEY,56-280TSC LC	1
13	GS2600002-SC	KIT,633,SEAL,C/N/V LC	1
	GS2600002-SC/TC	KIT,633,SEAL,C/N/V, TAPR CARBN LC	1
	GS2600002-CO	KIT,633,SEAL,CO/N/V LC	1
	GS2600005	KIT,633,SEAL,C/C/N LC	1
	GS2600135	KIT,633,SEAL,FR/C/N LC	1
17	SC1710H-SS	CAPSCRW,HX,1/2-13X1,18-8SS HX HD	4
20	SX03000020	NUT,WING LC SERIES	5
21	SX18000014	COLLAR,180TC,SHAFT LC	1
22	SX48000021	RING,RETAINING,633 SEAL	1
23	GX48104020	CAPSCRW,HX,1/4-28X3/8,18-8SS HX HD	4
24	GX10610105	NUT,HEX,1/2-13,18-8SS L SERIES	1
25	GX10610100	CAPSCRW,HX,1/2-13X3-1/2,18-8SS HX HD	1
26	GX10610405	WASHER,LCK,1/2,18-8SS L SERIES	1



**Exploded View - Seal Only**

*Optional Items Shown in ITALICS*

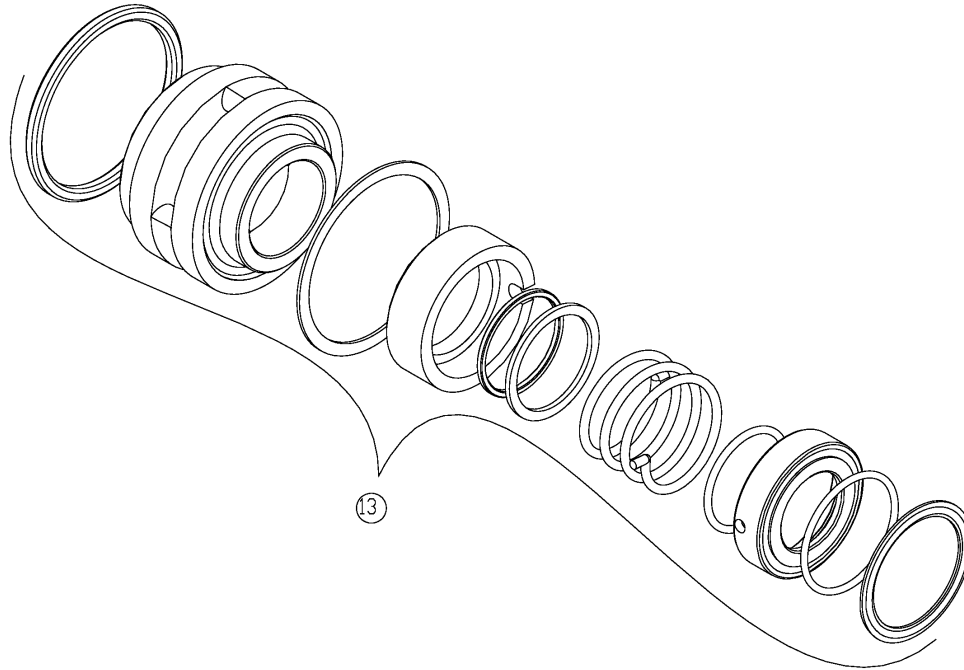
Ref #	Component Item No.	Description	Qty Per
13	<b>GS2600002-SC</b>	<b>KIT,633,SEAL,C/N/V LC</b>	<b>1</b>
	<i>GS2600002-SC/TC</i>	<i>KIT,633,SEAL,C/N/V,TAPR CARBN LC</i>	<i>1</i>
	<i>GS2600002-CO</i>	<i>KIT,633,SEAL,CO/N/V LC</i>	<i>1</i>
	<i>GS2600005</i>	<i>KIT,633,SEAL,C/C/V LC</i>	<i>1</i>
	<i>GS2600135</i>	<i>KIT,633,SEAL,FR/C/V LC</i>	<i>1</i>



**Exploded View**

*Optional Items Shown in ITALICS*

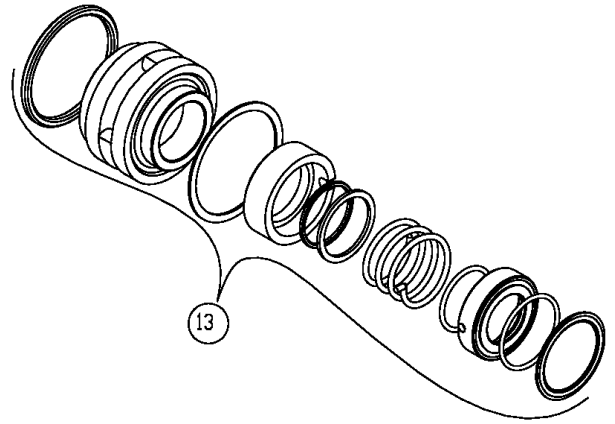
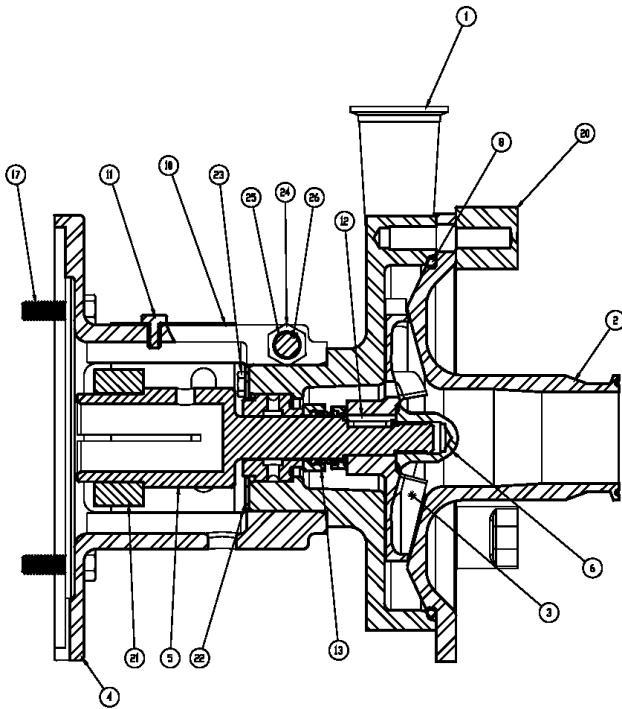
Ref #	Component Item No.	Description	Qty Per
1	SV44610001	CASING,140-210TC,2 CLMP LC R32,R40	1
2	SC44620279	COVER,R32/R40/R132,2-1/2 CLMP L SERIES	1
	SC44620432	COVER,R32/40/132/140,3 CLAMP L SERIES	1
3	SI44630268	IMPELLER,R40,205/18,205MAX LC/LD	1
4	SX10600007	ADAPTER,180/210TC FRAME LC	1
5	SX00000136	STUBSHAFT,210TC,1-3/8 W/KEY LC	1
6	SI54000000	NUT,633,IMP,56C-210TC LC	1
8	GX80000337	O-RING,R32/40/132/140,CVR,BUNA LC	1
	GX80000349	GASKET,R32/40/132/140,CVR,EPDM LC	1
	GX80000338	GASKET,R32/40/132/R140,CVR,VIT LC	1
10	SX10618007	GUARD,SHAFT,180-210TC ADPTR +BOLT LC	1
11	GX48104020	CAPSCRW,HX,1/4-28X3/8,18-8SS HX HD	1
12	SX15000002	KEY,56-280TSC LC	1
13	GS2600002-SC	KIT,633,SEAL,C/N/V LC	1
	GS2600002-SC/TC	KIT,633,SEAL,C/N/V, TAPR CARBN LC	1
	GS2600002-CO	KIT,633,SEAL,CO/N/V LC	1
	GS2600005	KIT,633,SEAL,C/C/N LC	1
	GS2600135	KIT,633,SEAL,FR/C/N LC	1
17	SC1710H-SS	CAPSCRW,HX,1/2-13X1,18-8SS HX HD	4
20	SX03000020	NUT,WING LC SERIES	5
21	SX18000015	COLLAR,210TC,SHAFT LC	1
22	SX48000021	RING,RETAINING,633 SEAL	1
23	GX48104020	CAPSCRW,HX,1/4-28X3/8,18-8SS HX HD	4
24	GX10610105	NUT,HEX,1/2-13,18-8SS L SERIES	1
25	GX10610100	CAPSCRW,HX,1/2-13X3-1/2,18-8SS HX HD	1
26	GX10610405	WASHER,LCK,1/2,18-8SS L SERIES	1



**Exploded View - Seal Only**

*Optional Items Shown in ITALICS*

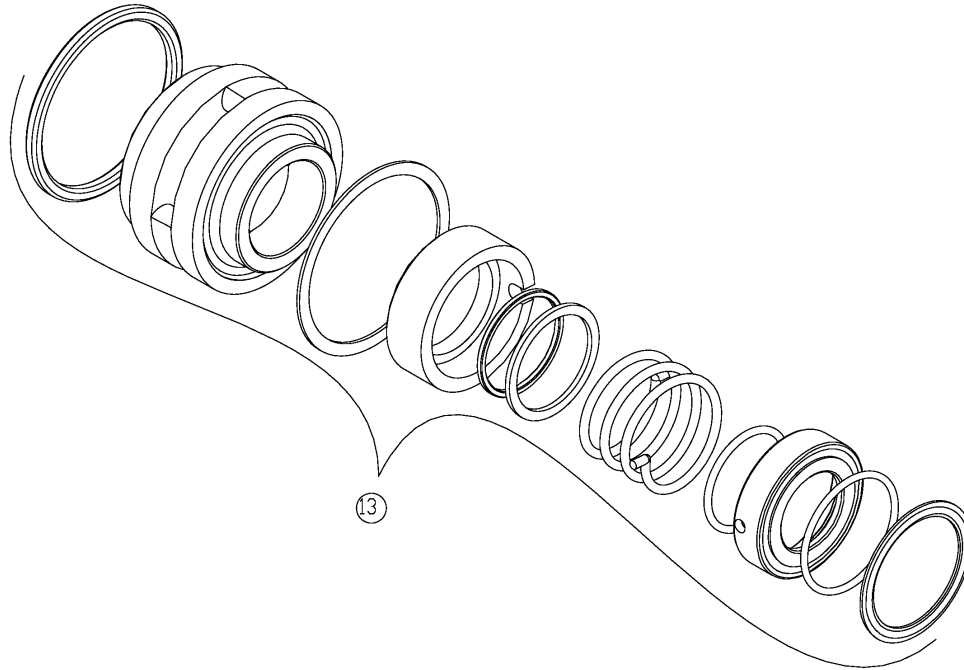
Ref #	Component Item No.	Description	Qty Per
13	<b>GS2600002-SC</b>	<b>KIT,633,SEAL,C/N/V LC</b>	<b>1</b>
	<i>GS2600002-SC/TC</i>	<i>KIT,633,SEAL,C/N/V,TAPR CARBN LC</i>	<i>1</i>
	<i>GS2600002-CO</i>	<i>KIT,633,SEAL,CO/N/V LC</i>	<i>1</i>
	<i>GS2600005</i>	<i>KIT,633,SEAL,C/C/V LC</i>	<i>1</i>
	<i>GS2600135</i>	<i>KIT,633,SEAL,FR/C/V LC</i>	<i>1</i>



**Exploded View**

*Optional Items Shown in ITALICS*

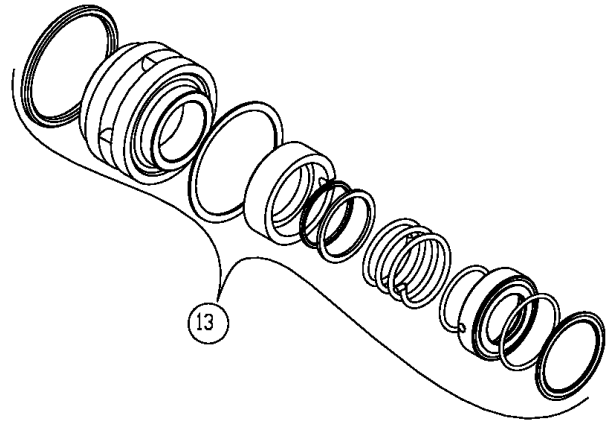
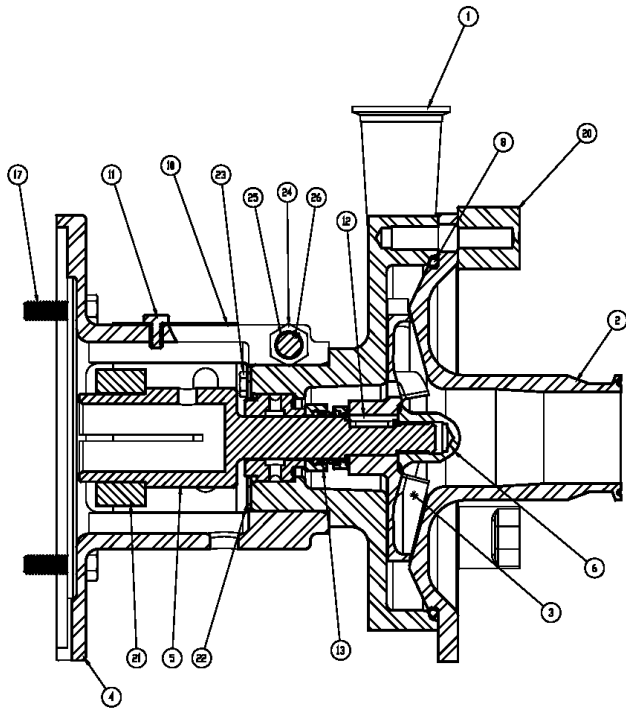
Ref #	Component Item No.	Description	Qty Per
1	SV44610001	CASING,140-210TC,2 CLMP LC R32,R40	1
2	SC44620279	COVER,R32/R40/R132,2-1/2 CLMP L SERIES	1
	SC44620432	COVER,R32/40/132/140,3 CLAMP L SERIES	1
3	SI44630268	IMPELLER,R40,205/18,205MAX LC/LD	1
4	SX10600087	ADAPTER,56C-140TC FRAME LC	1
5	SX00000134	STUBSHAFT,140TC,7/8 W/KEY LC	1
6	SI54000000	NUT,633,IMP,56C-210TC LC	1
8	GX80000337	O-RING,R32/40/132/140,CVR,BUNA LC	1
	GX80000349	GASKET,R32/40/132/140,CVR,EPDM LC	1
	GX80000338	GASKET,R32/40/132/R140,CVR,VIT LC	1
10	SX10614087	GUARD,SHAFT,56C-140TC,ADPT +BOLT LC	1
11	GX48104020	CAPSCRW,HX,1/4-28X3/8,18-8SS HX HD	1
12	SX15000002	KEY,56-280TSC LC	1
13	GS2600002-SC	KIT,633,SEAL,C/N/V LC	1
	GS2600002-SC/TC	KIT,633,SEAL,C/N/V, TAPR CARBN LC	1
	GS2600002-CO	KIT,633,SEAL,CO/N/V LC	1
	GS2600005	KIT,633,SEAL,C/C/N LC	1
	GS2600135	KIT,633,SEAL,FR/C/V LC	1
17	GX5077100	CAPSCRW,HX,3/8-16X1,18-8SS HX HD	4
20	SX03000020	NUT,WING LC SERIES	5
21	SX18000013	COLLAR,56C/140TC,SHAFT L SEE ITEM NOTES	1
22	SX48000021	RING,RETAINING,633 SEAL	1
23	GX48104020	CAPSCRW,HX,1/4-28X3/8,18-8SS HX HD	4
24	GX10610105	NUT,HEX,1/2-13,18-8SS L SERIES	1
25	GX10610100	CAPSCRW,HX,1/2-13X3-1/2,18-8SS HX HD	1
26	GX10610405	WASHER,LCK,1/2,18-8SS L SERIES	1



**Exploded View - Seal Only**

*Optional Items Shown in ITALICS*

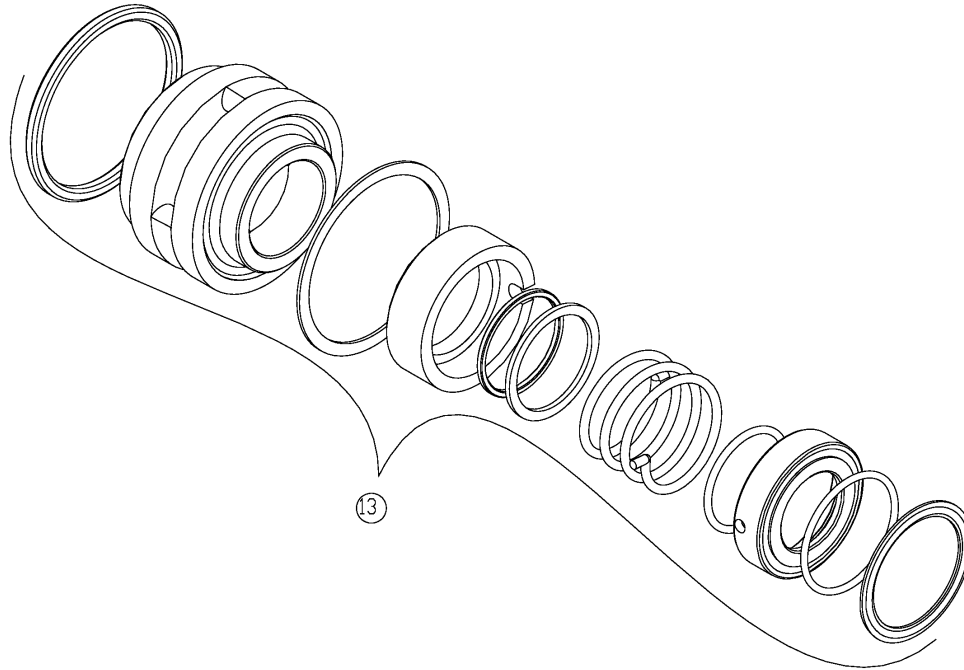
Ref #	Component Item No.	Description	Qty Per
13	<b>GS2600002-SC</b>	<b>KIT,633,SEAL,C/N/V LC</b>	<b>1</b>
	<i>GS2600002-SC/TC</i>	<i>KIT,633,SEAL,C/N/V,TAPR CARBN LC</i>	<i>1</i>
	<i>GS2600002-CO</i>	<i>KIT,633,SEAL,CO/N/V LC</i>	<i>1</i>
	<i>GS2600005</i>	<i>KIT,633,SEAL,C/C/V LC</i>	<i>1</i>
	<i>GS2600135</i>	<i>KIT,633,SEAL,FR/C/V LC</i>	<i>1</i>



**Exploded View**

*Optional Items Shown in ITALICS*

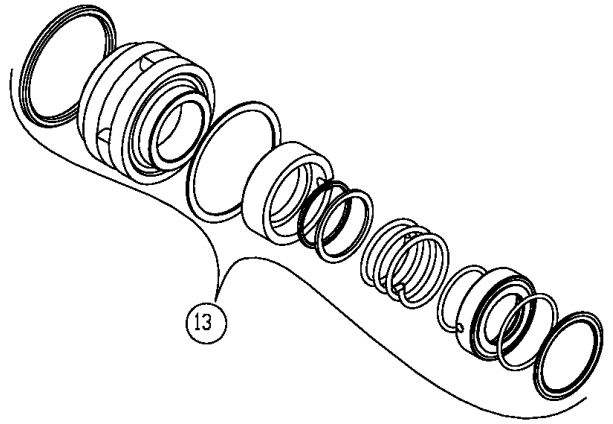
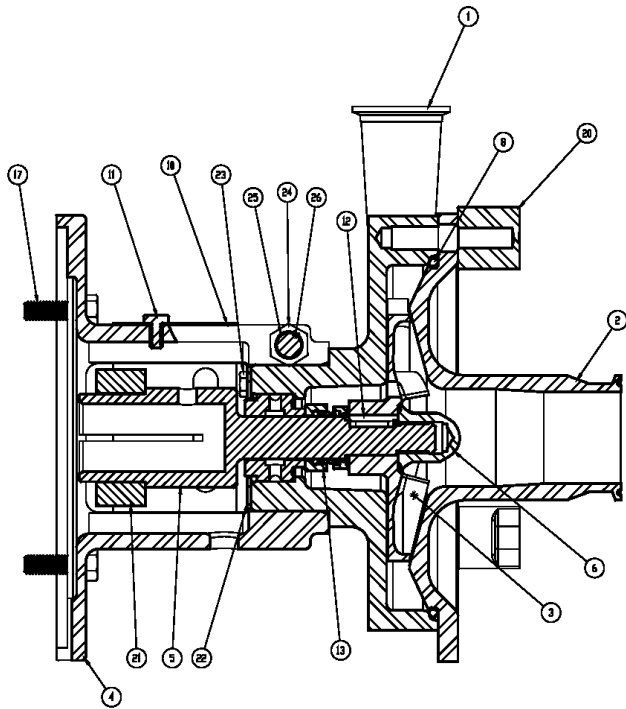
Ref #	Component Item No.	Description	Qty Per
1	SV44610001	CASING,140-210TC,2 CLMP LC R32,R40	1
2	SC44620279	COVER,R32/R40/R132,2-1/2 CLMP L SERIES	1
	SC44620432	COVER,R32/40/132/140,3 CLAMP L SERIES	1
3	SI44630268	IMPELLER,R40,205/18,205MAX LC/LD	1
4	SX10600007	ADAPTER,180/210TC FRAME LC	1
5	SX00000135	STUBSHAFT,180TC,1-1/8 W/KEY LC	1
6	SI54000000	NUT,633,IMP,56C-210TC LC	1
8	GX80000337	O-RING,R32/40/132/140,CVR,BUNA LC	1
	GX80000349	GASKET,R32/40/132/140,CVR,EPDM LC	1
	GX80000338	GASKET,R32/40/132/R140,CVR,VIT LC	1
10	SX10618007	GUARD,SHAFT,180-210TC ADPTR +BOLT LC	1
11	GX48104020	CAPSCRW,HX,1/4-28X3/8,18-8SS HX HD	1
12	SX15000002	KEY,56-280TSC LC	1
13	GS2600002-SC	KIT,633,SEAL,C/N/V LC	1
	GS2600002-SC/TC	KIT,633,SEAL,C/N/V, TAPR CARBN LC	1
	GS2600002-CO	KIT,633,SEAL,CO/N/V LC	1
	GS2600005	KIT,633,SEAL,C/C/N LC	1
	GS2600135	KIT,633,SEAL,FR/C/N LC	1
17	SC1710H-SS	CAPSCRW,HX,1/2-13X1,18-8SS HX HD	4
20	SX03000020	NUT,WING LC SERIES	5
21	SX18000014	COLLAR,180TC,SHAFT LC	1
22	SX48000021	RING,RETAINING,633 SEAL	1
23	GX48104020	CAPSCRW,HX,1/4-28X3/8,18-8SS HX HD	4
24	GX10610105	NUT,HEX,1/2-13,18-8SS L SERIES	1
25	GX10610100	CAPSCRW,HX,1/2-13X3-1/2,18-8SS HX HD	1
26	GX10610405	WASHER,LCK,1/2,18-8SS L SERIES	1



**Exploded View - Seal Only**

*Optional Items Shown in ITALICS*

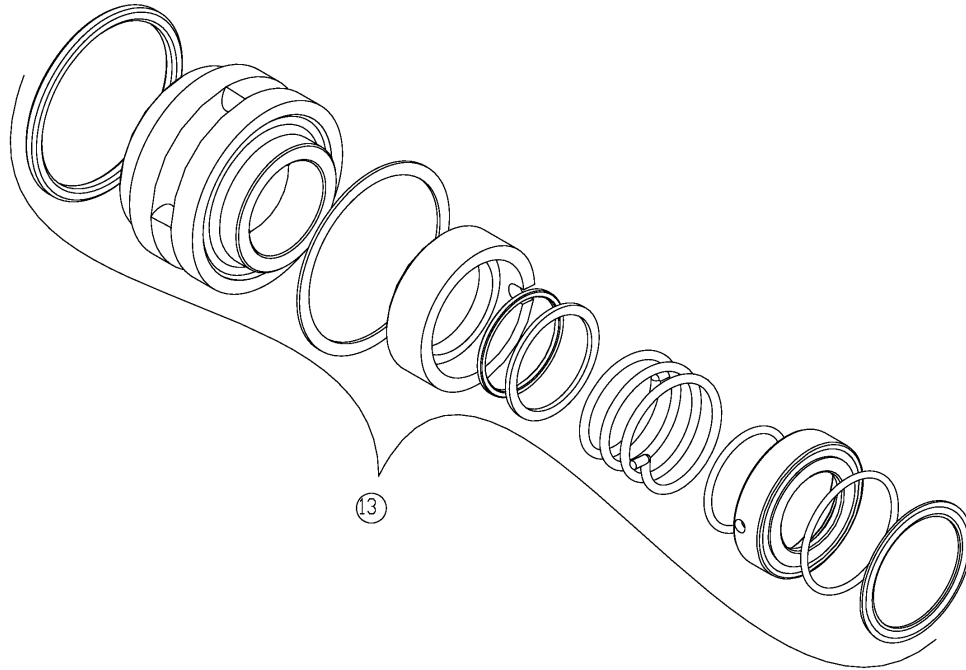
Ref #	Component Item No.	Description	Qty Per
13	<b>GS2600002-SC</b>	<b>KIT,633,SEAL,C/N/V LC</b>	<b>1</b>
	<i>GS2600002-SC/TC</i>	<i>KIT,633,SEAL,C/N/V,TAPR CARBN LC</i>	<i>1</i>
	<i>GS2600002-CO</i>	<i>KIT,633,SEAL,CO/N/V LC</i>	<i>1</i>
	<i>GS2600005</i>	<i>KIT,633,SEAL,C/C/V LC</i>	<i>1</i>
	<i>GS2600135</i>	<i>KIT,633,SEAL,FR/C/V LC</i>	<i>1</i>



**Exploded View**

*Optional Items Shown in ITALICS*

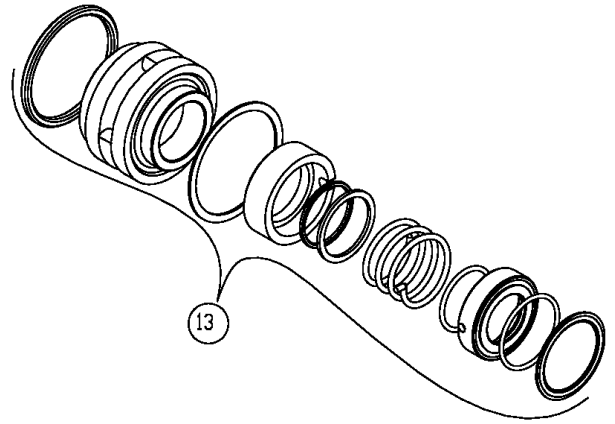
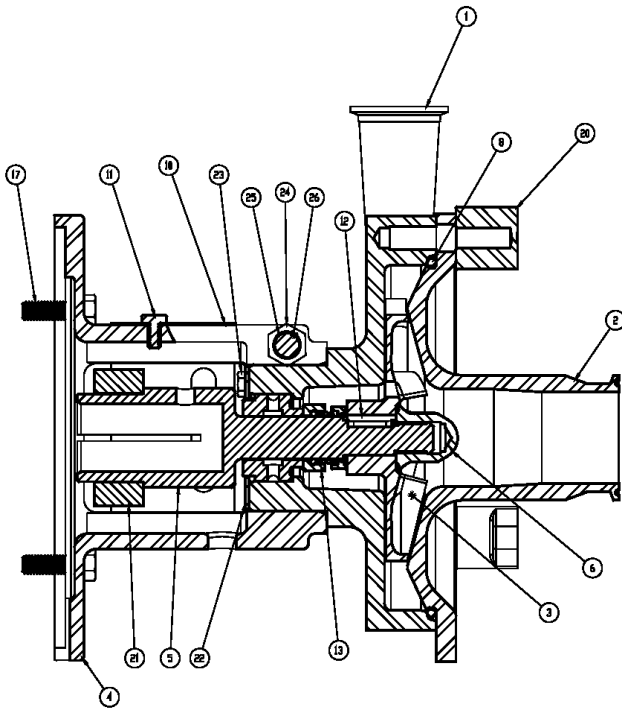
Ref #	Component Item No.	Description	Qty Per
1	SV44610001	CASING,140-210TC,2 CLMP LC R32,R40	1
2	SC44620279	COVER,R32/R40/R132,2-1/2 CLMP L SERIES	1
	SC44620432	COVER,R32/40/132/140,3 CLAMP L SERIES	1
3	SI44630268	IMPELLER,R40,205/18,205MAX LC/LD	1
4	SX10600007	ADAPTER,180/210TC FRAME LC	1
5	SX00000136	STUBSHAFT,210TC,1-3/8 W/KEY LC	1
6	SI54000000	NUT,633,IMP,56C-210TC LC	1
8	GX80000337	O-RING,R32/40/132/140,CVR,BUNA LC	1
	GX80000349	GASKET,R32/40/132/140,CVR,EPDM LC	1
	GX80000338	GASKET,R32/40/132/R140,CVR,VIT LC	1
10	SX10618007	GUARD,SHAFT,180-210TC ADPTR +BOLT LC	1
11	GX48104020	CAPSCRW,HX,1/4-28X3/8,18-8SS HX HD	1
12	SX15000002	KEY,56-280TSC LC	1
13	GS2600002-SC	KIT,633,SEAL,C/N/V LC	1
	GS2600002-SC/TC	KIT,633,SEAL,C/N/V, TAPR CARBN LC	1
	GS2600002-CO	KIT,633,SEAL,CO/N/V LC	1
	GS2600005	KIT,633,SEAL,C/C/N LC	1
	GS2600135	KIT,633,SEAL,FR/C/N LC	1
17	SC1710H-SS	CAPSCRW,HX,1/2-13X1,18-8SS HX HD	4
20	SX03000020	NUT,WING LC SERIES	5
21	SX18000015	COLLAR,210TC,SHAFT LC	1
22	SX48000021	RING,RETAINING,633 SEAL	1
23	GX48104020	CAPSCRW,HX,1/4-28X3/8,18-8SS HX HD	4
24	GX10610105	NUT,HEX,1/2-13,18-8SS L SERIES	1
25	GX10610100	CAPSCRW,HX,1/2-13X3-1/2,18-8SS HX HD	1
26	GX10610405	WASHER,LCK,1/2,18-8SS L SERIES	1



**Exploded View - Seal Only**

*Optional Items Shown in ITALICS*

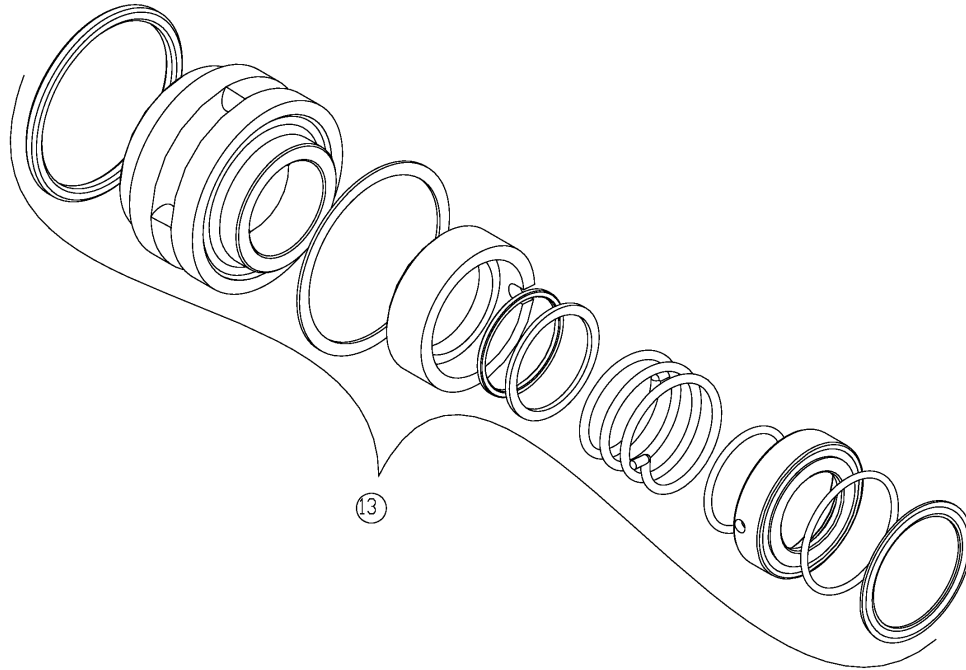
Ref #	Component Item No.	Description	Qty Per
13	<b>GS2600002-SC</b>	<b>KIT,633,SEAL,C/N/V LC</b>	<b>1</b>
	<i>GS2600002-SC/TC</i>	<i>KIT,633,SEAL,C/N/V,TAPR CARBN LC</i>	<i>1</i>
	<i>GS2600002-CO</i>	<i>KIT,633,SEAL,CO/N/V LC</i>	<i>1</i>
	<i>GS2600005</i>	<i>KIT,633,SEAL,C/C/V LC</i>	<i>1</i>
	<i>GS2600135</i>	<i>KIT,633,SEAL,FR/C/V LC</i>	<i>1</i>



**Exploded View**

*Optional Items Shown in ITALICS*

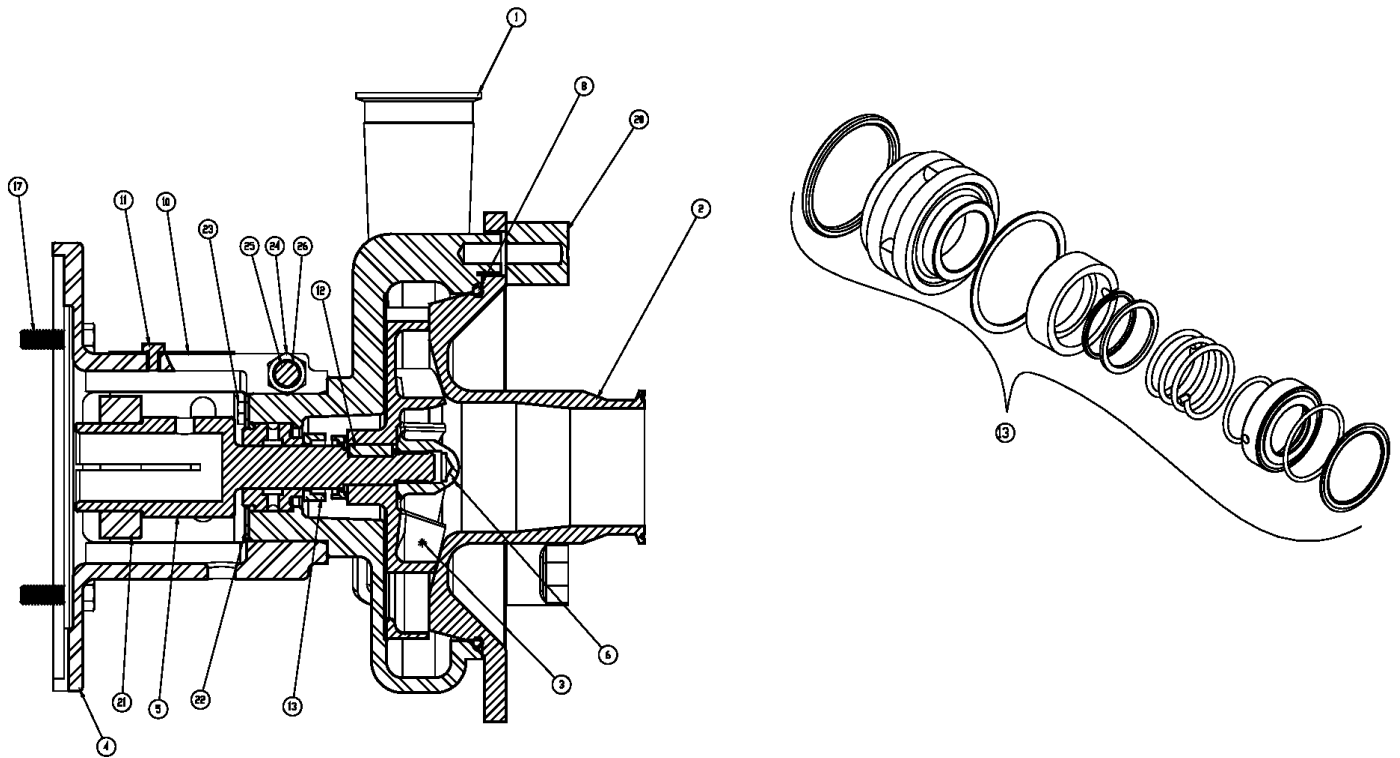
Ref #	Component Item No.	Description	Qty Per
1	SV44610004	CASING,250TC,2 CLMP LC R32,R40	1
2	SC44620279	COVER,R32/R40/R132,2-1/2 CLMP L SERIES	1
	SC44620432	COVER,R32/40/132/140,3 CLAMP L SERIES	1
3	SI44630269	IMPELLER,R40,205/22,205MAX LC/LD	1
4	SX10600088	ADAPTER,250TC FRAME LC	1
5	SX00000137	STUBSHAFT,250TC,1-5/8 W/KEY LC	1
6	SI54000007	NUT,735,IMP,250TC-280TC	1
8	GX80000337	O-RING,R32/40/132/140,CVR,BUNA LC	1
	GX80000349	GASKET,R32/40/132/140,CVR,EPDM LC	1
	GX80000338	GASKET,R32/40/132/R140,CVR,VIT LC	1
10	SX10625088	GUARD,SHAFT,250TC ADPTR LC	1
11	GX48104020	CAPSCRW,HX,1/4-28X3/8,18-8SS HX HD	1
12	SX15000002	KEY,56-280TSC LC	1
13	GS2600127-SC	KIT,735,SEAL,C/N/V LC	1
	GS2600127-SC/TC	KIT,735,SEAL,C/N/V, TAPR CARBN LC	1
	GS2600127-CO	KIT,735,SEAL,CO/N/V LC	1
	GS2600143	KIT,735,SEAL,FR/C/V LC	1
	GS2600129	KIT,735,SEAL,C/C/V LC	1
17	SC1710H-SS	CAPSCRW,HX,1/2-13X1,18-8SS HX HD	4
20	SX03000020	NUT,WING LC SERIES	5
21	SX18000016	COLLAR,250TC/280TSC,SHAFT LC	1
22	SX48000027	RING,RETAINING,735,250TC 735 SEAL	1
23	GX48106027	CAPSCRW,SH,10-32X3/8,18-8SS SCKT HD	6
24	GX10610105	NUT,HEX,1/2-13,18-8SS L SERIES	1
25	GX10610100	CAPSCRW,HX,1/2-13X3-1/2,18-8SS HX HD	1
26	GX10610405	WASHER,LCK,1/2,18-8SS L SERIES	1



**Exploded View - Seal Only**

*Optional Items Shown in ITALICS*

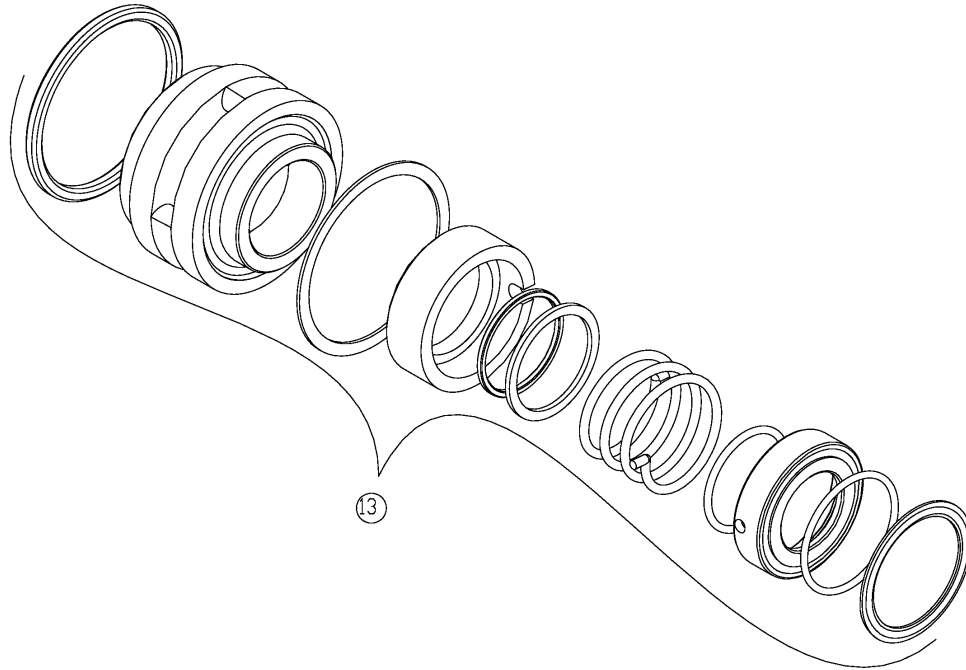
Ref #	Component Item No.	Description	Qty Per
13	<b>GS2600127-SC</b>	<b>KIT,735,SEAL,C/N/V LC</b>	<b>1</b>
	<i>GS2600127-SC/TC</i>	<i>KIT,735,SEAL,C/N/V,TAPR CARBN LC</i>	<i>1</i>
	<i>GS2600127-CO</i>	<i>KIT,735,SEAL,CO/N/V LC</i>	<i>1</i>
	<i>GS2600143</i>	<i>KIT,735,SEAL,FR/C/V LC</i>	<i>1</i>
	<i>GS2600129</i>	<i>KIT,735,SEAL,C/C/V LC</i>	<i>1</i>



**Exploded View**

*Optional Items Shown in ITALICS*

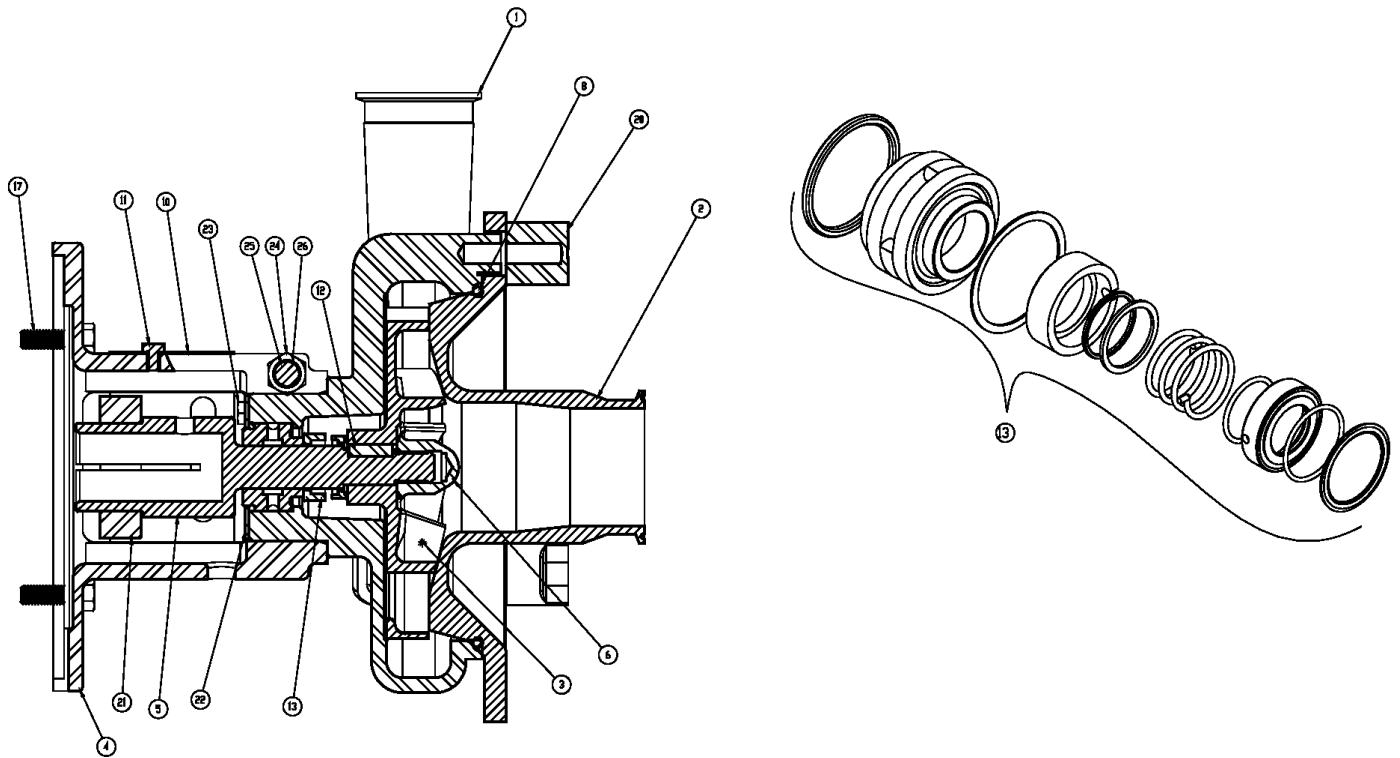
Ref #	Component Item No.	Description	Qty Per
1	SV28610000	CASING,56C-210TC,2 CLMP LC V520	1
2	SC28620064	COVER,V520,2-1/2 CLAMP L SERIES	1
	SC28620154	COVER,V520,3 CLAMP L SERIES	1
3	SI28630092	IMPELLER,V520,145/18,145MAX LC/LD	1
4	SX10600087	ADAPTER,56C-140TC FRAME LC	1
5	SX00000134	STUBSHAFT,140TC,7/8 W/KEY LC	1
6	SI54000000	NUT,633,IMP,56C-210TC LC	1
8	GX80000333	GASKET,V520,CVR,BUNA LC	1
	GX80000057	GASKET,V520,CVR,EPDM LC	1
	GX80000018	GASKET,V520,CVR,VIT LC	1
10	SX10614087	GUARD,SHAFT,56C-140TC,ADPT +BOLT LC	1
11	GX48104020	CAPSCRW,HX,1/4-28X3/8,18-8SS HX HD	1
12	SX15000002	KEY,56-280TSC LC	1
13	GS2600002-SC	KIT,633,SEAL,C/N/V LC	1
	GS2600002-SC/TC	KIT,633,SEAL,C/N/V,TAPR CARBN LC	1
	GS2600002-CO	KIT,633,SEAL,CO/N/V LC	1
	GS26000005	KIT,633,SEAL,C/C/N LC	1
	GS2600135	KIT,633,SEAL,FR/C/V LC	1
17	GX5077200	CAPSCRW,HX,3/8-16X1-1/4,18-8SS HX HD	4
20	SX03000020	NUT,WING LC SERIES	3
21	SX18000013	COLLAR,56C/140TC,SHAFT L SEE ITEM NOTES	1
22	SX48000021	RING,RETAINING,633 SEAL	1
23	GX48104020	CAPSCRW,HX,1/4-28X3/8,18-8SS HX HD	4
24	GX10610105	NUT,HEX,1/2-13,18-8SS L SERIES	1
25	GX10610100	CAPSCRW,HX,1/2-13X3-1/2,18-8SS HX HD	1
26	GX10610405	WASHER,LCK,1/2,18-8SS L SERIES	1



**Exploded View - Seal Only**

*Optional Items Shown in ITALICS*

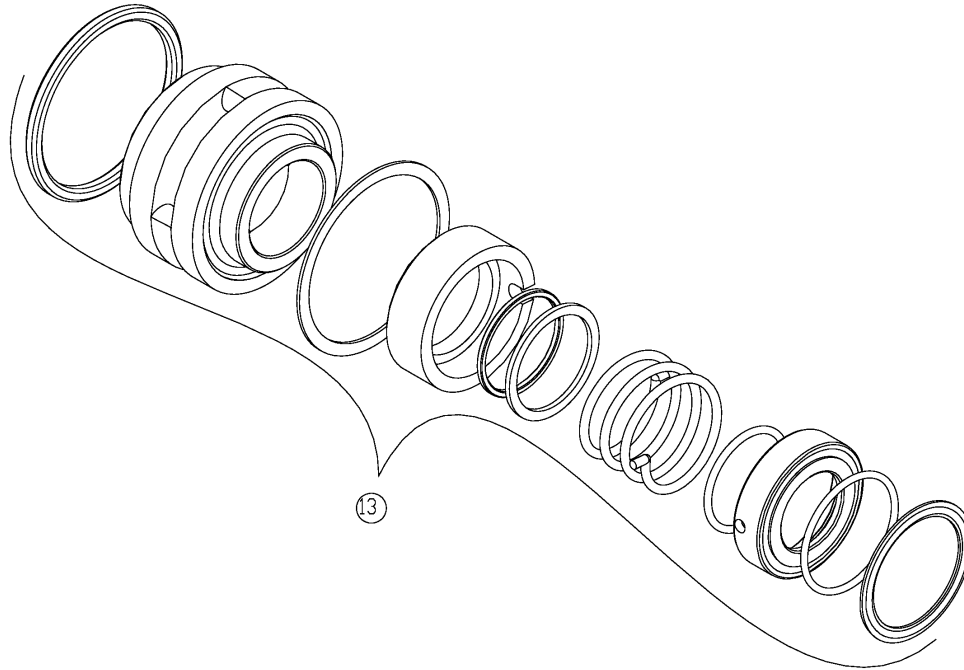
Ref #	Component Item No.	Description	Qty Per
13	<b>GS2600002-SC</b>	<b>KIT,633,SEAL,C/N/V LC</b>	<b>1</b>
	<i>GS2600002-SC/TC</i>	<i>KIT,633,SEAL,C/N/V,TAPR CARBN LC</i>	<i>1</i>
	<i>GS2600002-CO</i>	<i>KIT,633,SEAL,CO/N/V LC</i>	<i>1</i>
	<i>GS2600005</i>	<i>KIT,633,SEAL,C/C/V LC</i>	<i>1</i>
	<i>GS2600135</i>	<i>KIT,633,SEAL,FR/C/V LC</i>	<i>1</i>



**Exploded View**

*Optional Items Shown in ITALICS*

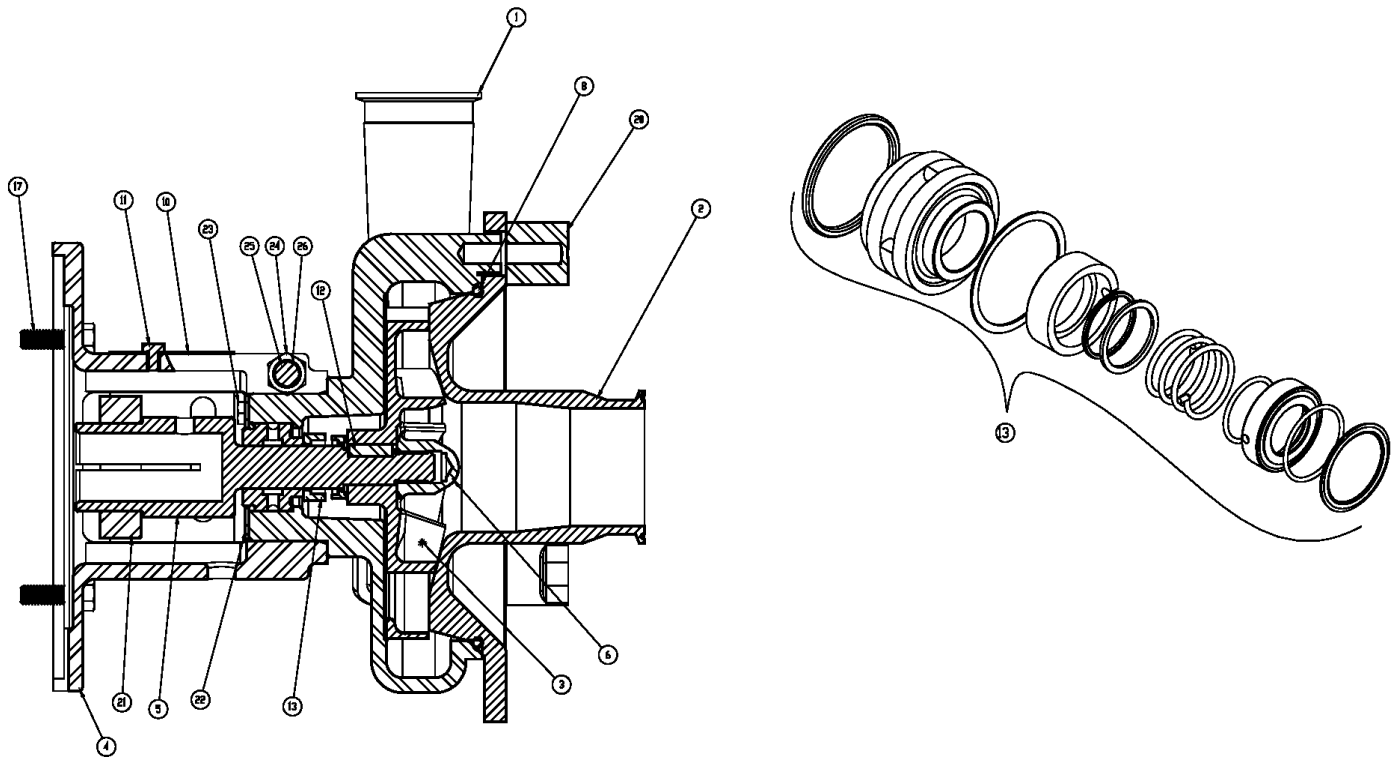
Ref #	Component Item No.	Description	Qty Per
1	SV28610000	CASING,56C-210TC,2 CLMP LC V520	1
2	SC28620064	COVER,V520,2-1/2 CLAMP L SERIES	1
	SC28620154	COVER,V520,3 CLAMP L SERIES	1
3	SI28630092	IMPELLER,V520,145/18,145MAX LC/LD	1
4	SX10600007	ADAPTER,180/210TC FRAME LC	1
5	SX00000135	STUBSHAFT,180TC,1-1/8 W/KEY LC	1
6	SI54000000	NUT,633,IMP,56C-210TC LC	1
8	GX80000333	GASKET,V520,CVR,BUNA LC	1
	GX80000057	GASKET,V520,CVR,EPDM LC	1
	GX80000018	GASKET,V520,CVR,VIT LC	1
10	SX10618007	GUARD,SHAFT,180-210TC ADPTR +BOLT LC	1
11	GX48104020	CAPSCRW,HX,1/4-28X3/8,18-8SS HX HD	1
12	SX15000002	KEY,56-280TSC LC	1
13	GS2600002-SC	KIT,633,SEAL,C/N/V LC	1
	GS2600002-SC/TC	KIT,633,SEAL,C/N/V,TAPR CARBN LC	1
	GS2600002-CO	KIT,633,SEAL,CO/N/V LC	1
	GS26000005	KIT,633,SEAL,C/C/N LC	1
	GS2600135	KIT,633,SEAL,FR/C/N LC	1
17	SC1710H-SS	CAPSCRW,HX,1/2-13X1,18-8SS HX HD	4
20	SX03000020	NUT,WING LC SERIES	3
21	SX18000014	COLLAR,180TC,SHAFT LC	1
22	SX48000021	RING,RETAINING,633 SEAL	1
23	GX48104020	CAPSCRW,HX,1/4-28X3/8,18-8SS HX HD	4
24	GX10610105	NUT,HEX,1/2-13,18-8SS L SERIES	1
25	GX10610100	CAPSCRW,HX,1/2-13X3-1/2,18-8SS HX HD	1
26	GX10610405	WASHER,LCK,1/2,18-8SS L SERIES	1



**Exploded View - Seal Only**

*Optional Items Shown in ITALICS*

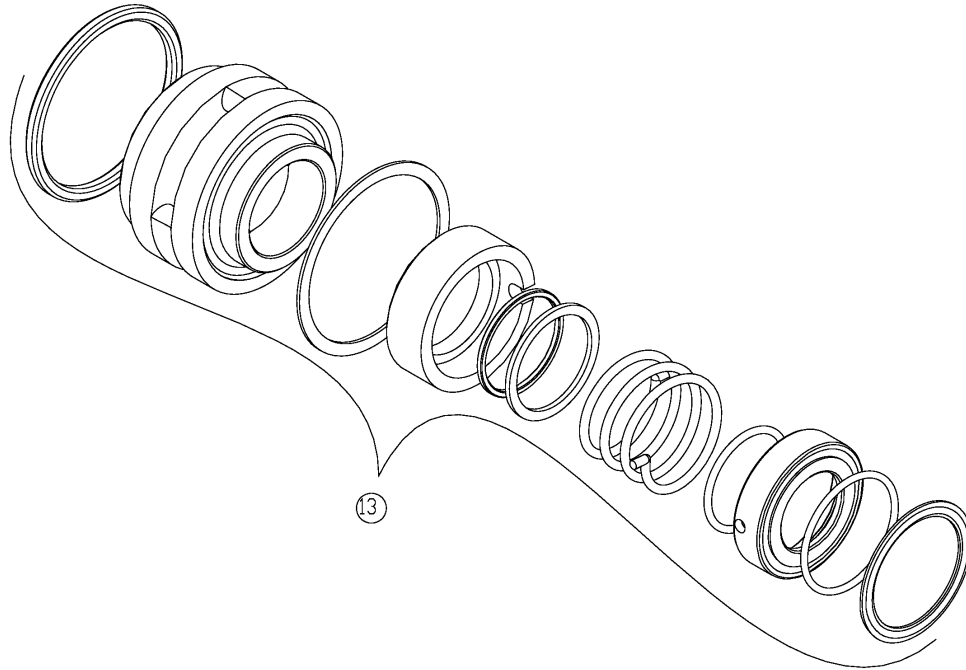
Ref #	Component Item No.	Description	Qty Per
13	<b>GS2600002-SC</b>	<b>KIT,633,SEAL,C/N/V LC</b>	<b>1</b>
	<i>GS2600002-SC/TC</i>	<i>KIT,633,SEAL,C/N/V,TAPR CARBN LC</i>	<i>1</i>
	<i>GS2600002-CO</i>	<i>KIT,633,SEAL,CO/N/V LC</i>	<i>1</i>
	<i>GS2600005</i>	<i>KIT,633,SEAL,C/C/V LC</i>	<i>1</i>
	<i>GS2600135</i>	<i>KIT,633,SEAL,FR/C/V LC</i>	<i>1</i>



**Exploded View**

*Optional Items Shown in ITALICS*

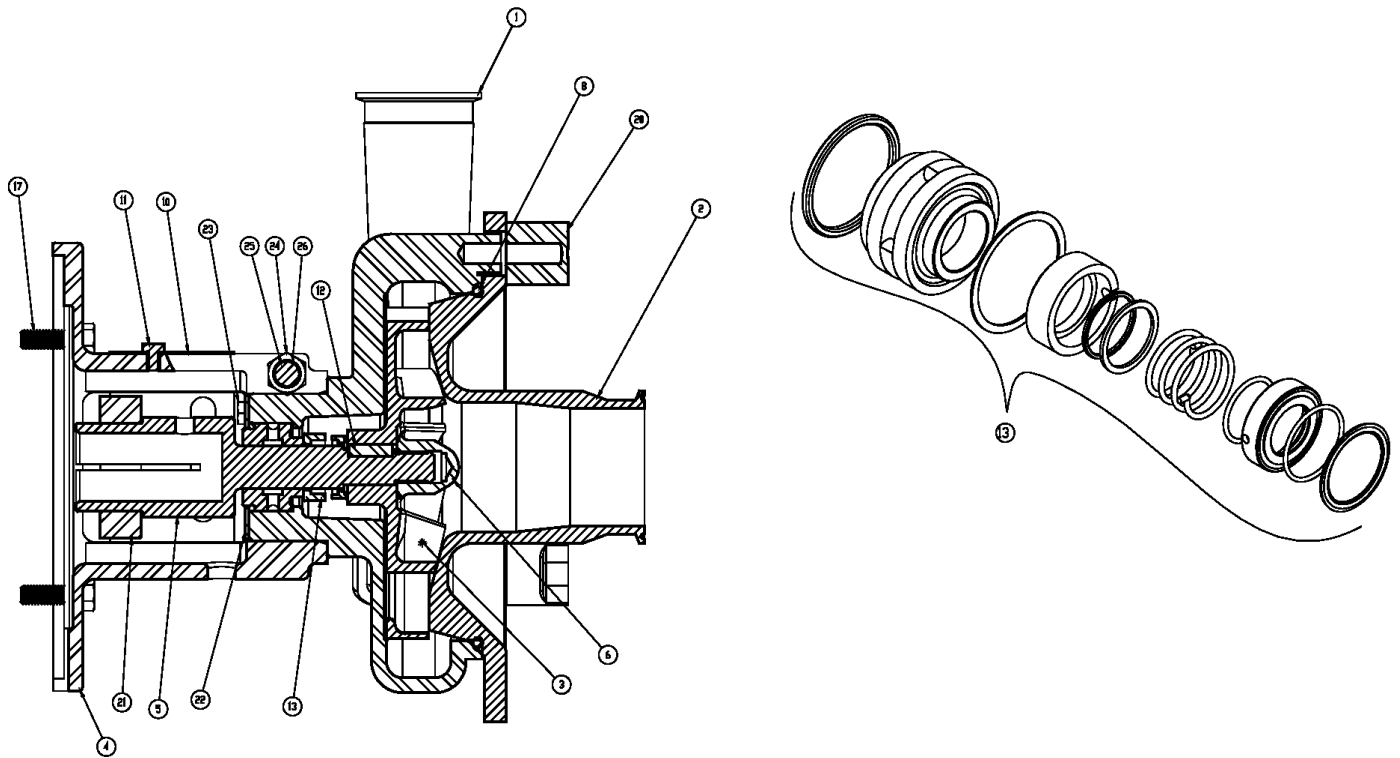
Ref #	Component Item No.	Description	Qty Per
1	SV28610000	CASING,56C-210TC,2 CLMP LC V520	1
2	SC28620064	COVER,V520,2-1/2 CLAMP L SERIES	1
	<i>SC28620154</i>	<i>COVER,V520,3 CLAMP L SERIES</i>	<i>1</i>
3	SI28630092	IMPELLER,V520,145/18,145MAX LC/LD	1
4	SX10600007	ADAPTER,180/210TC FRAME LC	1
5	SX00000136	STUBSHAFT,210TC,1-3/8 W/KEY LC	1
6	SI54000000	NUT,633,IMP,56C-210TC LC	1
8	GX80000333	GASKET,V520,CVR,BUNA LC	1
	<i>GX80000057</i>	<i>GASKET,V520,CVR,EPDM LC</i>	<i>1</i>
	<i>GX80000018</i>	<i>GASKET,V520,CVR,VIT LC</i>	<i>1</i>
10	SX10618007	GUARD,SHAFT,180-210TC ADPTR +BOLT LC	1
11	GX48104020	CAPSCRW,HX,1/4-28X3/8,18-8SS HX HD	1
12	SX15000002	KEY,56-280TSC LC	1
13	GS26000002-SC	KIT,633,SEAL,C/N/V LC	1
	<i>GS26000002-SC/TC</i>	<i>KIT,633,SEAL,C/N/V,TAPR CARBN LC</i>	<i>1</i>
	<i>GS26000002-CO</i>	<i>KIT,633,SEAL,CO/N/V LC</i>	<i>1</i>
	<i>GS26000005</i>	<i>KIT,633,SEAL,C/C/N LC</i>	<i>1</i>
	<i>GS2600135</i>	<i>KIT,633,SEAL,FR/C/V LC</i>	<i>1</i>
17	SC1710H-SS	CAPSCRW,HX,1/2-13X1,18-8SS HX HD	4
20	SX03000020	NUT,WING LC SERIES	3
21	SX18000015	COLLAR,210TC,SHAFT LC	1
22	SX48000021	RING,RETAINING,633 SEAL	1
23	GX48104020	CAPSCRW,HX,1/4-28X3/8,18-8SS HX HD	4
24	GX10610105	NUT,HEX,1/2-13,18-8SS L SERIES	1
25	GX10610100	CAPSCRW,HX,1/2-13X3-1/2,18-8SS HX HD	1
26	GX10610405	WASHER,LCK,1/2,18-8SS L SERIES	1



**Exploded View - Seal Only**

*Optional Items Shown in ITALICS*

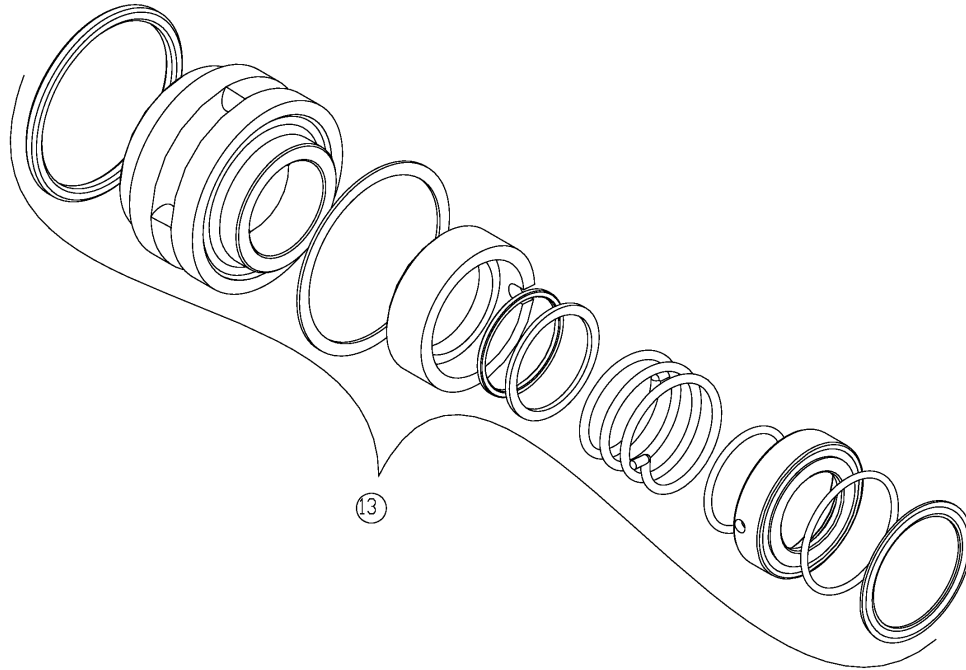
Ref #	Component Item No.	Description	Qty Per
13	<b>GS2600002-SC</b>	<b>KIT,633,SEAL,C/N/V LC</b>	<b>1</b>
	<i>GS2600002-SC/TC</i>	<i>KIT,633,SEAL,C/N/V,TAPR CARBN LC</i>	<i>1</i>
	<i>GS2600002-CO</i>	<i>KIT,633,SEAL,CO/N/V LC</i>	<i>1</i>
	<i>GS2600005</i>	<i>KIT,633,SEAL,C/C/V LC</i>	<i>1</i>
	<i>GS2600135</i>	<i>KIT,633,SEAL,FR/C/V LC</i>	<i>1</i>



**Exploded View**

*Optional Items Shown in ITALICS*

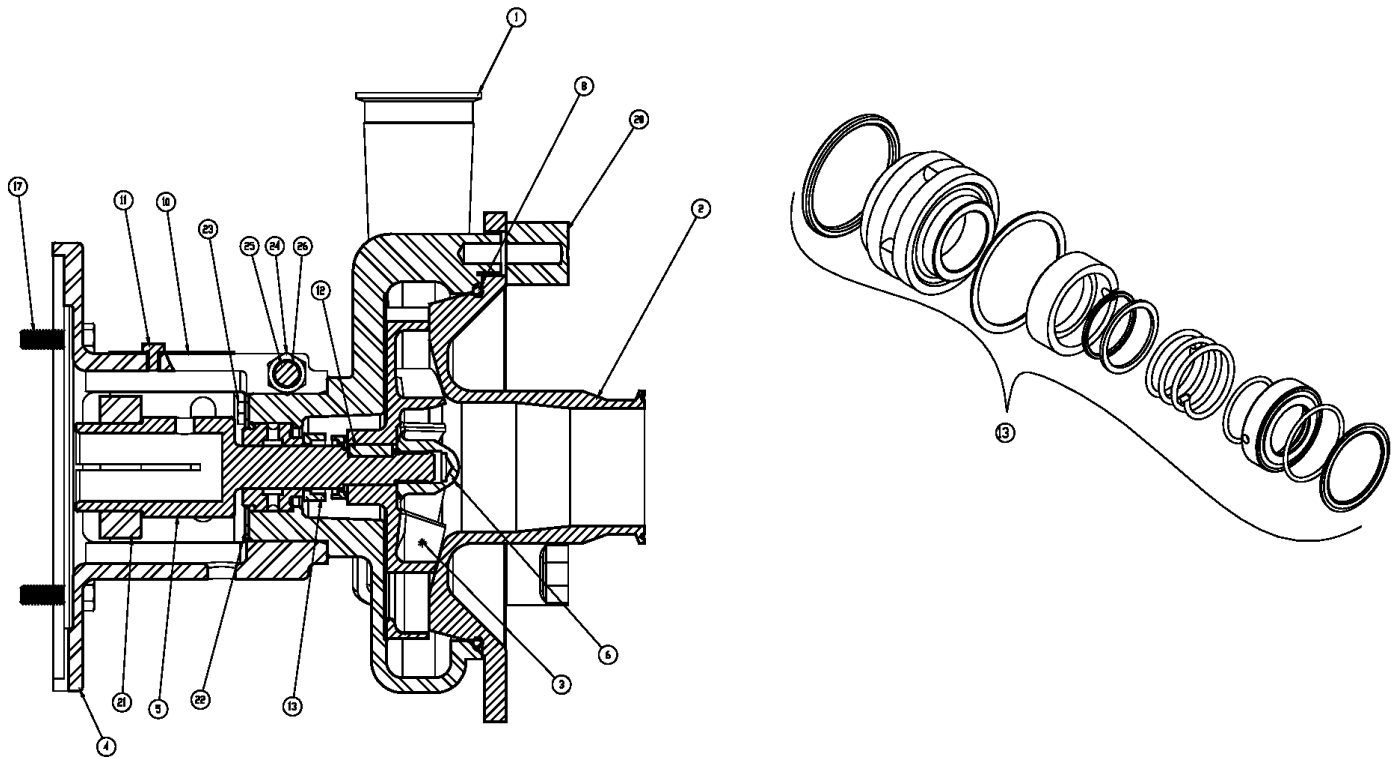
Ref #	Component Item No.	Description	Qty Per
1	SV38610000	CASING,140-210TC,2 CLMP LC V530	1
2	SC38620056	COVER,V530,2-1/2 CLAMP L SERIES	1
	SC38620161	COVER,V530,3 CLAMP L SERIES	1
3	SI38630134	IMPELLER,V530,175/18,175MAX LC/LD	1
4	SX10600087	ADAPTER,56C-140TC FRAME LC	1
5	SX00000134	STUBSHAFT,140TC,7/8 W/KEY LC	1
6	SI54000000	NUT,633,IMP,56C-210TC LC	1
8	GX80000334	GASKET,R20/31/V530,CVR,BUNA LC	1
	GX80000351	GASKET,R20/31/V530,CVR,EPDM LC	1
	GX80000335	GASKET,R20/31/V530,CVR,VIT LC	1
10	SX10614087	GUARD,SHAFT,56C-140TC,ADPT +BOLT LC	1
11	GX48104020	CAPSCRW,HX,1/4-28X3/8,18-8SS HX HD	1
12	SX15000002	KEY,56-280TSC LC	1
13	GS2600002-SC	KIT,633,SEAL,C/N/V LC	1
	GS2600002-SC/TC	KIT,633,SEAL,C/N/V, TAPR CARBN LC	1
	GS2600002-CO	KIT,633,SEAL,CO/N/V LC	1
	GS2600005	KIT,633,SEAL,C/C/V LC	1
	GS2600135	KIT,633,SEAL,FR/C/V LC	1
17	GX5077100	CAPSCRW,HX,3/8-16X1,18-8SS HX HD	4
20	SX03000020	NUT,WING LC SERIES	3
21	SX18000013	COLLAR,56C/140TC,SHAFT L SEE ITEM NOTES	1
22	SX48000021	RING,RETAINING,633 SEAL	1
23	GX48104020	CAPSCRW,HX,1/4-28X3/8,18-8SS HX HD	4
24	GX10610105	NUT,HEX,1/2-13,18-8SS L SERIES	1
25	GX10610100	CAPSCRW,HX,1/2-13X3-1/2,18-8SS HX HD	1
26	GX10610405	WASHER,LCK,1/2,18-8SS L SERIES	1



**Exploded View - Seal Only**

*Optional Items Shown in ITALICS*

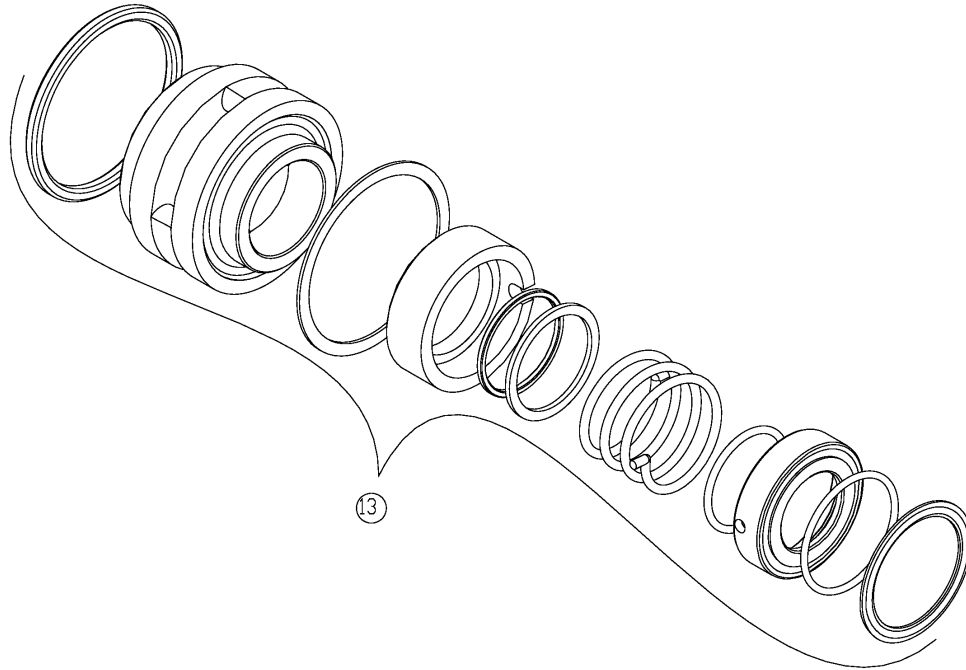
Ref #	Component Item No.	Description	Qty Per
13	<b>GS2600002-SC</b>	<b>KIT,633,SEAL,C/N/V LC</b>	<b>1</b>
	<i>GS2600002-SC/TC</i>	<i>KIT,633,SEAL,C/N/V,TAPR CARBN LC</i>	<i>1</i>
	<i>GS2600002-CO</i>	<i>KIT,633,SEAL,CO/N/V LC</i>	<i>1</i>
	<i>GS2600005</i>	<i>KIT,633,SEAL,C/C/V LC</i>	<i>1</i>
	<i>GS2600135</i>	<i>KIT,633,SEAL,FR/C/V LC</i>	<i>1</i>



**Exploded View**

*Optional Items Shown in ITALICS*

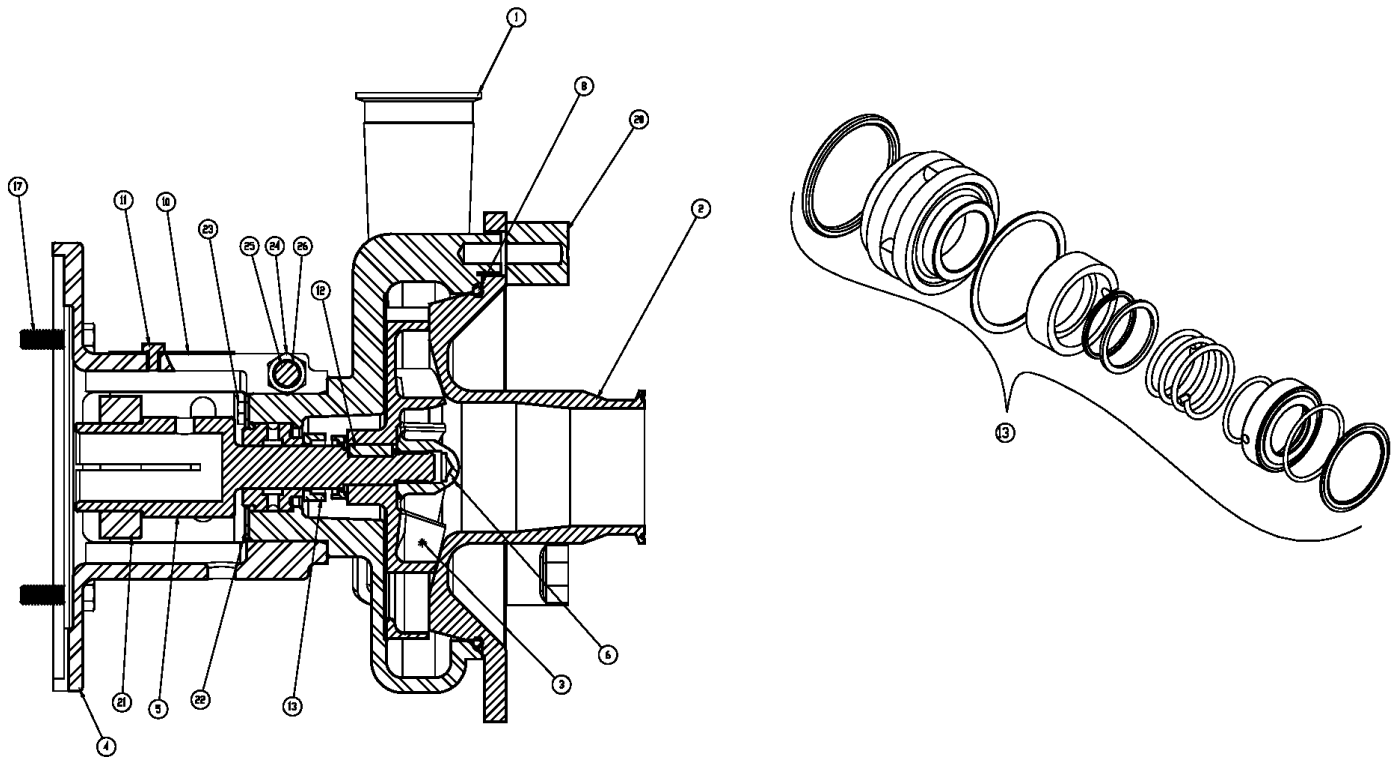
Ref #	Component Item No.	Description	Qty Per
1	SV38610000	CASING,140-210TC,2 CLMP LC V530	1
2	SC38620056	COVER,V530,2-1/2 CLAMP L SERIES	1
	SC38620161	COVER,V530,3 CLAMP L SERIES	1
3	SI38630134	IMPELLER,V530,175/18,175MAX LC/LD	1
4	SX10600007	ADAPTER,180/210TC FRAME LC	1
5	SX00000135	STUBSHAFT,180TC,1-1/8 W/KEY LC	1
6	SI54000000	NUT,633,IMP,56C-210TC LC	1
8	GX80000334	GASKET,R20/31/V530,CVR,BUNA LC	1
	GX80000351	GASKET,R20/31/V530,CVR,EPDM LC	1
	GX80000335	GASKET,R20/31/V530,CVR,VIT LC	1
10	SX10618007	GUARD,SHAFT,180-210TC ADPTR +BOLT LC	1
11	GX48104020	CAPSCRW,HX,1/4-28X3/8,18-8SS HX HD	1
12	SX15000002	KEY,56-280TSC LC	1
13	GS2600002-SC	KIT,633,SEAL,C/N/V LC	1
	GS2600002-SC/TC	KIT,633,SEAL,C/N/V, TAPR CARBN LC	1
	GS2600002-CO	KIT,633,SEAL,CO/N/V LC	1
	GS2600005	KIT,633,SEAL,C/C/N LC	1
	GS2600135	KIT,633,SEAL,FR/C/N LC	1
17	SC1710H-SS	CAPSCRW,HX,1/2-13X1,18-8SS HX HD	4
20	SX03000020	NUT,WING LC SERIES	3
21	SX18000014	COLLAR,180TC,SHAFT LC	1
22	SX48000021	RING,RETAINING,633 SEAL	1
23	GX48104020	CAPSCRW,HX,1/4-28X3/8,18-8SS HX HD	4
24	GX10610105	NUT,HEX,1/2-13,18-8SS L SERIES	1
25	GX10610100	CAPSCRW,HX,1/2-13X3-1/2,18-8SS HX HD	1
26	GX10610405	WASHER,LCK,1/2,18-8SS L SERIES	1



**Exploded View - Seal Only**

*Optional Items Shown in ITALICS*

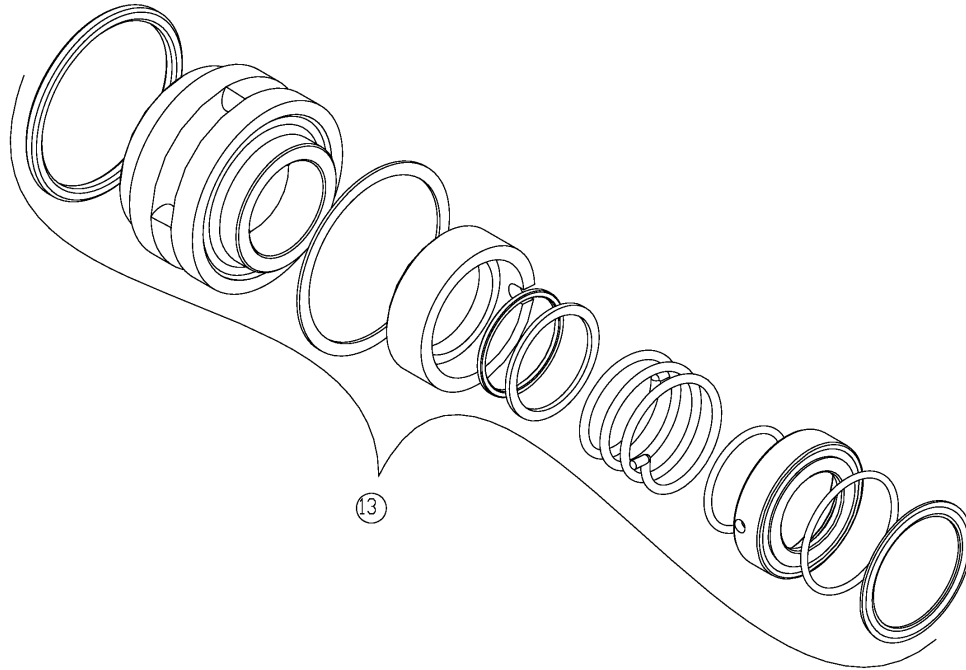
Ref #	Component Item No.	Description	Qty Per
13	<b>GS2600002-SC</b>	<b>KIT,633,SEAL,C/N/V LC</b>	<b>1</b>
	<i>GS2600002-SC/TC</i>	<i>KIT,633,SEAL,C/N/V,TAPR CARBN LC</i>	<i>1</i>
	<i>GS2600002-CO</i>	<i>KIT,633,SEAL,CO/N/V LC</i>	<i>1</i>
	<i>GS2600005</i>	<i>KIT,633,SEAL,C/C/V LC</i>	<i>1</i>
	<i>GS2600135</i>	<i>KIT,633,SEAL,FR/C/V LC</i>	<i>1</i>



**Exploded View**

*Optional Items Shown in ITALICS*

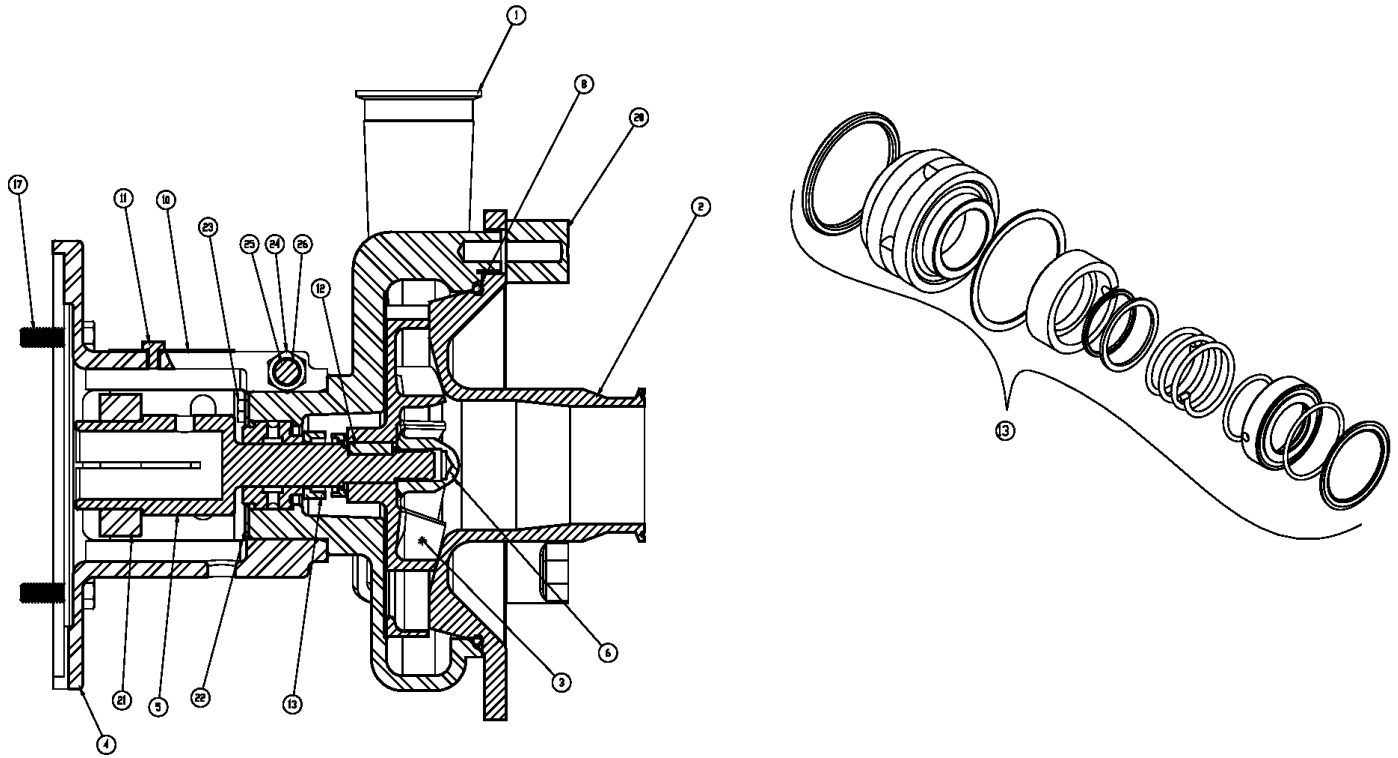
Ref #	Component Item No.	Description	Qty Per
1	SV38610000	CASING,140-210TC,2 CLMP LC V530	1
2	SC38620056	COVER,V530,2-1/2 CLAMP L SERIES	1
	SC38620161	COVER,V530,3 CLAMP L SERIES	1
3	SI38630134	IMPELLER,V530,175/18,175MAX LC/LD	1
4	SX10600007	ADAPTER,180/210TC FRAME LC	1
5	SX00000136	STUBSHAFT,210TC,1-3/8 W/KEY LC	1
6	SI54000000	NUT,633,IMP,56C-210TC LC	1
8	GX80000334	GASKET,R20/31/V530,CVR,BUNA LC	1
	GX80000351	GASKET,R20/31/V530,CVR,EPDM LC	1
	GX80000335	GASKET,R20/31/V530,CVR,VIT LC	1
10	SX10618007	GUARD,SHAFT,180-210TC ADPTR +BOLT LC	1
11	GX48104020	CAPSCRW,HX,1/4-28X3/8,18-8SS HX HD	1
12	SX15000002	KEY,56-280TSC LC	1
13	GS2600002-SC	KIT,633,SEAL,C/N/V LC	1
	GS2600002-SC/TC	KIT,633,SEAL,C/N/V, TAPR CARBN LC	1
	GS2600002-CO	KIT,633,SEAL,CO/N/V LC	1
	GS2600005	KIT,633,SEAL,C/C/N LC	1
	GS2600135	KIT,633,SEAL,FR/C/V LC	1
17	SC1710H-SS	CAPSCRW,HX,1/2-13X1,18-8SS HX HD	4
20	SX03000020	NUT,WING LC SERIES	3
21	SX18000015	COLLAR,210TC,SHAFT LC	1
22	SX48000021	RING,RETAINING,633 SEAL	1
23	GX48104020	CAPSCRW,HX,1/4-28X3/8,18-8SS HX HD	4
24	GX10610105	NUT,HEX,1/2-13,18-8SS L SERIES	1
25	GX10610100	CAPSCRW,HX,1/2-13X3-1/2,18-8SS HX HD	1
26	GX10610405	WASHER,LCK,1/2,18-8SS L SERIES	1



**Exploded View - Seal Only**

*Optional Items Shown in ITALICS*

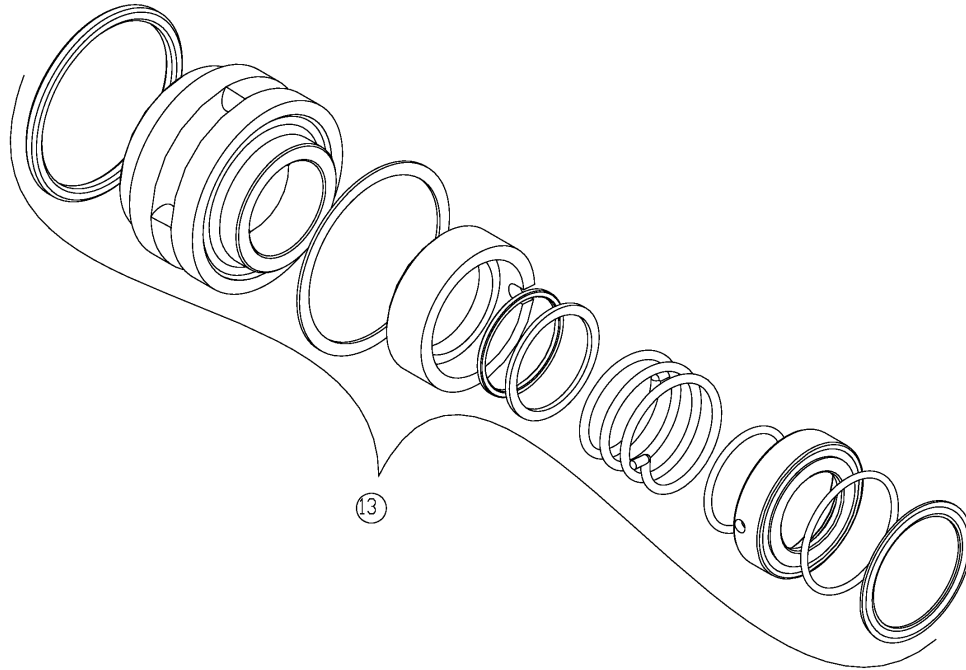
Ref #	Component Item No.	Description	Qty Per
13	<b>GS2600002-SC</b>	<b>KIT,633,SEAL,C/N/V LC</b>	<b>1</b>
	<i>GS2600002-SC/TC</i>	<i>KIT,633,SEAL,C/N/V,TAPR CARBN LC</i>	<i>1</i>
	<i>GS2600002-CO</i>	<i>KIT,633,SEAL,CO/N/V LC</i>	<i>1</i>
	<i>GS2600005</i>	<i>KIT,633,SEAL,C/C/V LC</i>	<i>1</i>
	<i>GS2600135</i>	<i>KIT,633,SEAL,FR/C/V LC</i>	<i>1</i>



**Exploded View**

*Optional Items Shown in ITALICS*

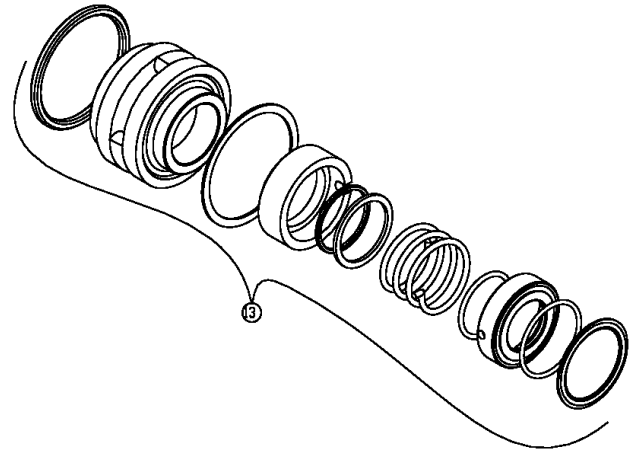
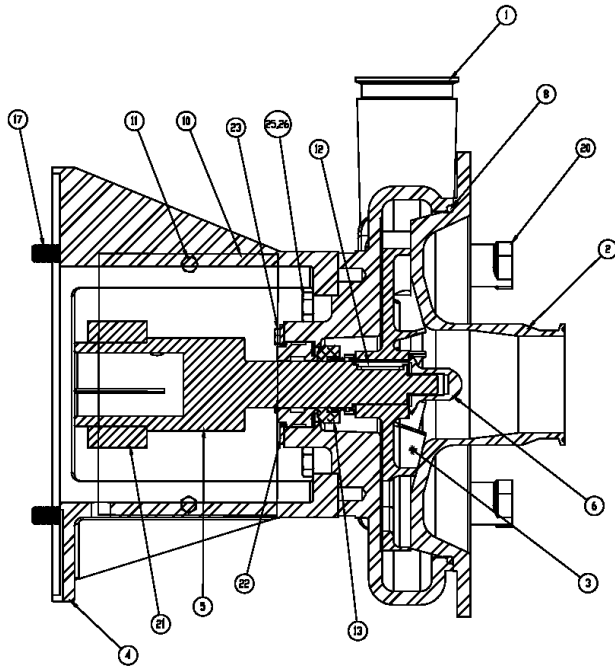
Ref #	Component Item No.	Description	Qty Per
1	SV38610002	CASING,250TC,2 CLMP LC V530	1
2	SC38620056	COVER,V530,2-1/2 CLAMP L SERIES	1
	SC38620161	COVER,V530,3 CLAMP L SERIES	1
3	SI38630138	IMPELLER,V530,175/22,175MAX LC/LD	1
4	SX10600088	ADAPTER,250TC FRAME LC	1
5	SX00000137	STUBSHAFT,250TC,1-5/8 W/KEY LC	1
6	SI54000007	NUT,735,IMP,250TC-280TC	1
8	GX80000334	GASKET,R20/31/V530,CVR,BUNA LC	1
	GX80000351	GASKET,R20/31/V530,CVR,EPDM LC	1
	GX80000335	GASKET,R20/31/V530,CVR,VIT LC	1
10	SX10625088	GUARD,SHAFT,250TC ADPTR LC	1
11	GX48104020	CAPSCRW,HX,1/4-28X3/8,18-8SS HX HD	1
12	SX15000002	KEY,56-280TSC LC	1
13	GS2600127-SC	KIT,735,SEAL,C/N/V LC	1
	GS2600127-SC/TC	KIT,735,SEAL,C/N/V, TAPR CARBN LC	1
	GS2600127-CO	KIT,735,SEAL,CO/N/V LC	1
	GS2600143	KIT,735,SEAL,FR/C/V LC	1
	GS2600129	KIT,735,SEAL,C/C/V LC	1
17	SC1710H-SS	CAPSCRW,HX,1/2-13X1,18-8SS HX HD	4
20	SX03000020	NUT,WING LC SERIES	3
21	SX18000016	COLLAR,250TC/280TSC,SHAFT LC	1
22	SX48000027	RING,RETAINING,735,250TC 735 SEAL	1
23	GX48106027	CAPSCRW,SH,10-32X3/8,18-8SS SCKT HD	6
24	GX10610105	NUT,HEX,1/2-13,18-8SS L SERIES	1
25	GX10610100	CAPSCRW,HX,1/2-13X3-1/2,18-8SS HX HD	1
26	GX10610405	WASHER,LCK,1/2,18-8SS L SERIES	1



**Exploded View - Seal Only**

*Optional Items Shown in ITALICS*

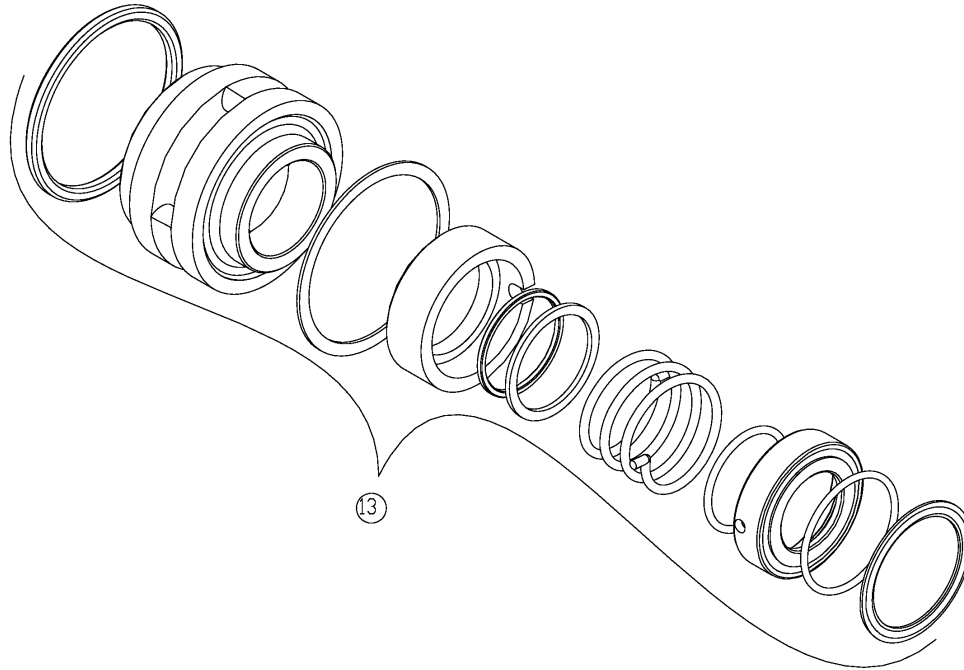
Ref #	Component Item No.	Description	Qty Per
13	<b>GS2600127-SC</b>	<b>KIT,735,SEAL,C/N/V LC</b>	<b>1</b>
	<i>GS2600127-SC/TC</i>	<i>KIT,735,SEAL,C/N/V,TAPR CARBN LC</i>	<i>1</i>
	<i>GS2600127-CO</i>	<i>KIT,735,SEAL,CO/N/V LC</i>	<i>1</i>
	<i>GS2600143</i>	<i>KIT,735,SEAL,FR/C/V LC</i>	<i>1</i>
	<i>GS2600129</i>	<i>KIT,735,SEAL,C/C/V LC</i>	<i>1</i>



**Exploded View**

*Optional Items Shown in ITALICS*

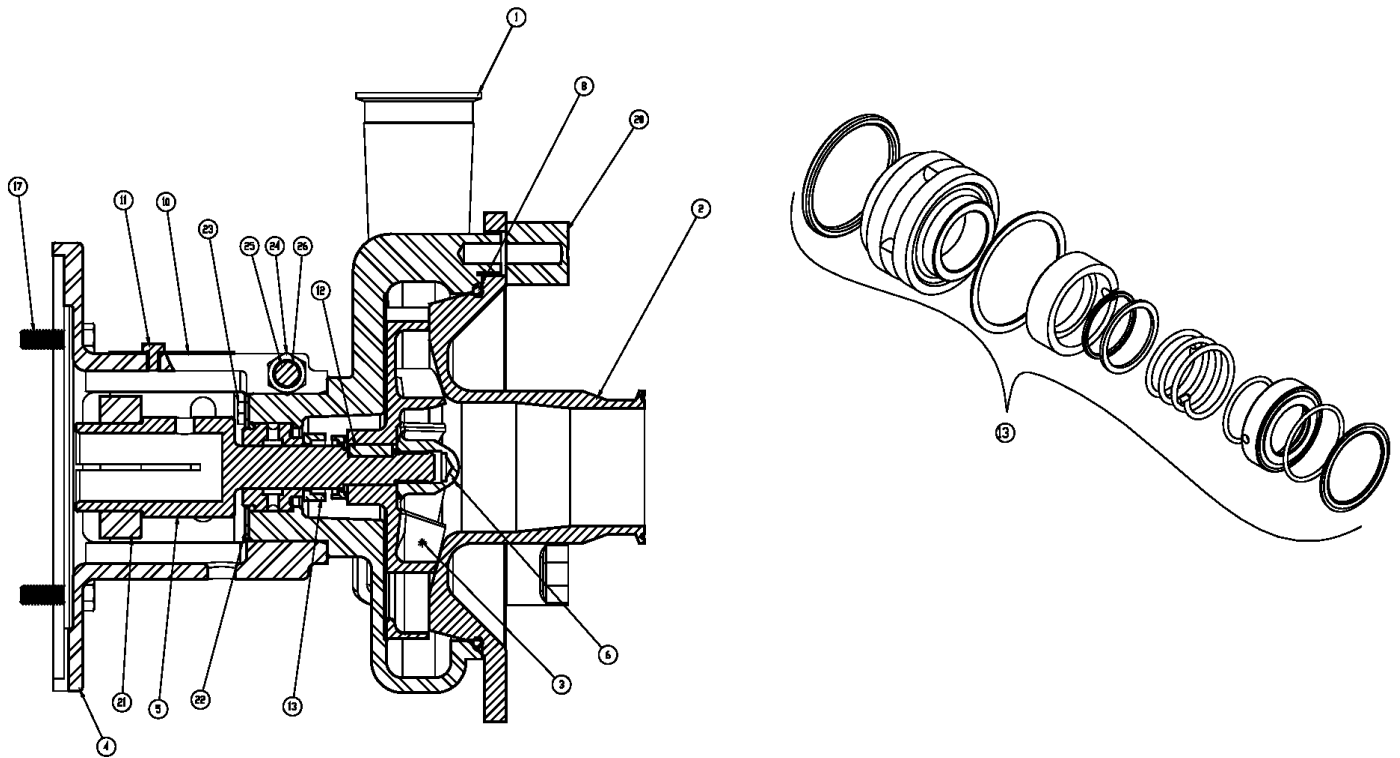
Ref #	Component Item No.	Description	Qty Per
1	SV38610001	CASING,250TC 280TSC,2 CLMP LC/LD V530	1
2	SC38620056	COVER,V530,2-1/2 CLAMP L SERIES	1
	SC38620161	COVER,V530,3 CLAMP L SERIES	1
3	SI38630138	IMPELLER,V530,175/22,175MAX LC/LD	1
4	SX10600089	ADAPTER,280TC/TSC FRAME LC/LD	1
5	SX00000080	STUBSHAFT,280TSC,1-5/8 W/KEY LC	1
6	SI54000007	NUT,735,IMP,250TC-280TC	1
8	GX80000334	GASKET,R20/31/V530,CVR,BUNA LC	1
	GX80000351	GASKET,R20/31/V530,CVR,EPDM LC	1
	GX80000335	GASKET,R20/31/V530,CVR,VIT LC	1
10	SX10628089	GUARD,SHAFT,DBL FLNGE ADPTRS LC	2
11	GX48104020	CAPSCRW,HX,1/4-28X3/8,18-8SS HX HD	4
12	SX15000002	KEY,56-280TSC LC	1
13	GS2600127-SC	KIT,735,SEAL,C/N/V LC	1
	GS2600127-SC/TC	KIT,735,SEAL,C/N/V, TAPR CARBN LC	1
	GS2600127-CO	KIT,735,SEAL,CO/N/V LC	1
	GS2600143	KIT,735,SEAL,FR/C/V LC	1
	GS2600129	KIT,735,SEAL,C/C/V LC	1
17	SC1710H-SS	CAPSCRW,HX,1/2-13X1,18-8SS HX HD	4
20	SX03000020	NUT,WING LC SERIES	3
21	SX18000035	COLLAR,250TC/280TSC,SHAFT LC	1
22	SX48000022	RING,RETAINING,735,280TC 735 SEAL	1
23	GX48104020	CAPSCRW,HX,1/4-28X3/8,18-8SS HX HD	4
25	GX10610400	CAPSCRW,HX,M12-1.75X30MM,18-8S HX HD	4
26	GX10610405	WASHER,LCK,1/2,18-8SS L SERIES	4



**Exploded View - Seal Only**

*Optional Items Shown in ITALICS*

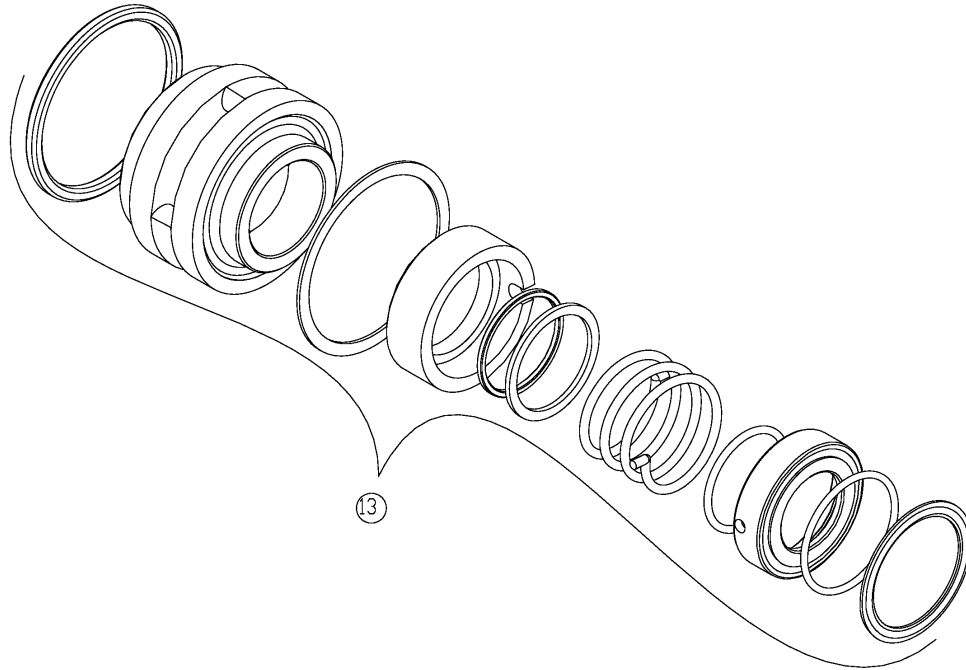
Ref #	Component Item No.	Description	Qty Per
13	<b>GS2600127-SC</b>	<b>KIT,735,SEAL,C/N/V LC</b>	<b>1</b>
	<i>GS2600127-SC/TC</i>	<i>KIT,735,SEAL,C/N/V,TAPR CARBN LC</i>	<i>1</i>
	<i>GS2600127-CO</i>	<i>KIT,735,SEAL,CO/N/V LC</i>	<i>1</i>
	<i>GS2600143</i>	<i>KIT,735,SEAL,FR/C/V LC</i>	<i>1</i>
	<i>GS2600129</i>	<i>KIT,735,SEAL,C/C/V LC</i>	<i>1</i>



**Exploded View**

*Optional Items Shown in ITALICS*

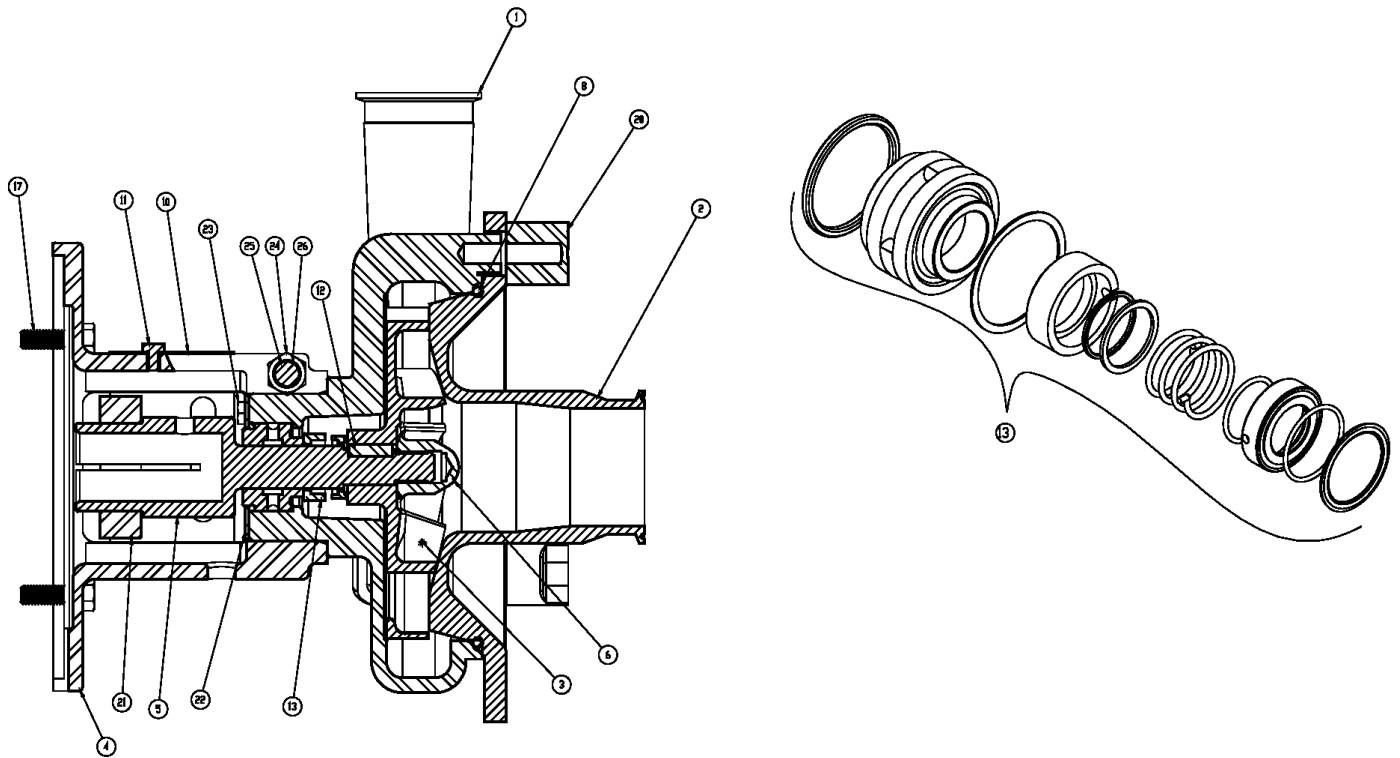
Ref #	Component Item No.	Description	Qty Per
1	SV48610000	CASING,140-210TC,2-1/2 CLMP LC V540	1
2	SC48620098	COVER,V540,3 CLAMP L SERIES	1
	SC48620245	COVER,V540,4 CLAMP L SERIES	1
3	SI48630228	IMPELLER,V540,205/18,205MAX LC/LD	1
4	SX10600087	ADAPTER,56C-140TC FRAME LC	1
5	SX00000134	STUBSHAFT,140TC,7/8 W/KEY LC	1
6	SI54000000	NUT,633,IMP,56C-210TC LC	1
8	GX80000336	GASKET,V540,CVR,BUNA LC	1
	GX80000058	GASKET,V540,CVR,EPDM LC	1
	GX80000019	GASKET,V540,CVR,VIT LC	1
10	SX10614087	GUARD,SHAFT,56C-140TC,ADPT +BOLT LC	1
11	GX48104020	CAPSCRW,HX,1/4-28X3/8,18-8SS HX HD	1
12	SX15000002	KEY,56-280TSC LC	1
13	GS2600002-SC	KIT,633,SEAL,C/N/V LC	1
	GS2600002-SC/TC	KIT,633,SEAL,C/N/V,TAPR CARBN LC	1
	GS2600002-CO	KIT,633,SEAL,CO/N/V LC	1
	GS26000005	KIT,633,SEAL,C/C/V LC	1
	GS2600135	KIT,633,SEAL,FR/C/V LC	1
17	GX5077100	CAPSCRW,HX,3/8-16X1,18-8SS HX HD	4
20	SX03000020	NUT,WING LC SERIES	5
21	SX18000013	COLLAR,56C/140TC,SHAFT L SEE ITEM NOTES	1
22	SX48000021	RING,RETAINING,633 SEAL	1
23	GX48104020	CAPSCRW,HX,1/4-28X3/8,18-8SS HX HD	4
24	GX10610105	NUT,HEX,1/2-13,18-8SS L SERIES	1
25	GX10610100	CAPSCRW,HX,1/2-13X3-1/2,18-8SS HX HD	1
26	GX10610405	WASHER,LCK,1/2,18-8SS L SERIES	1



**Exploded View - Seal Only**

*Optional Items Shown in ITALICS*

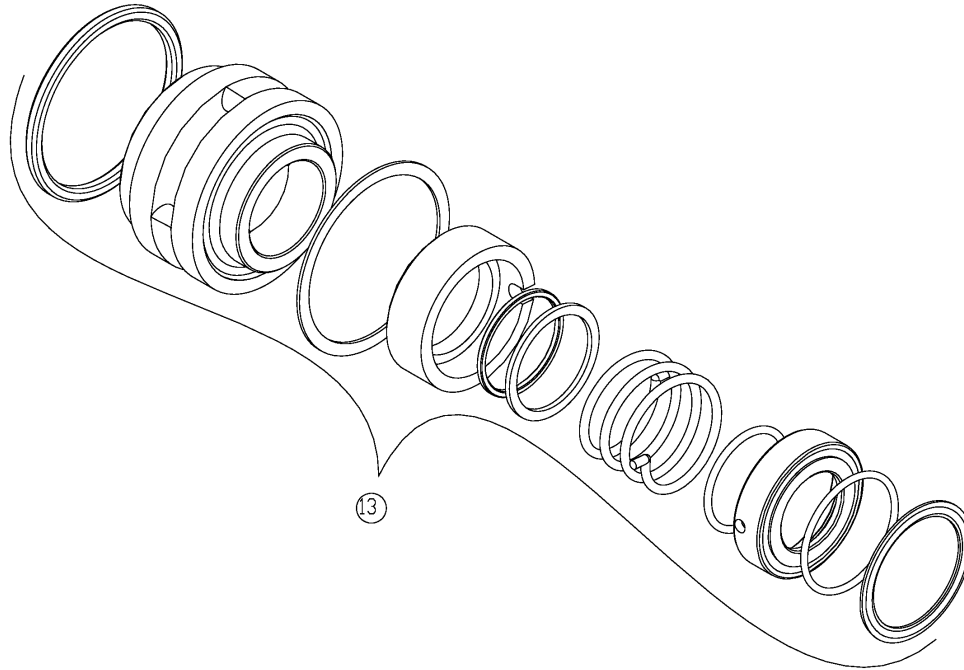
Ref #	Component Item No.	Description	Qty Per
13	<b>GS2600002-SC</b>	<b>KIT,633,SEAL,C/N/V LC</b>	<b>1</b>
	<i>GS2600002-SC/TC</i>	<i>KIT,633,SEAL,C/N/V,TAPR CARBN LC</i>	<i>1</i>
	<i>GS2600002-CO</i>	<i>KIT,633,SEAL,CO/N/V LC</i>	<i>1</i>
	<i>GS2600005</i>	<i>KIT,633,SEAL,C/C/V LC</i>	<i>1</i>
	<i>GS2600135</i>	<i>KIT,633,SEAL,FR/C/V LC</i>	<i>1</i>



**Exploded View**

*Optional Items Shown in ITALICS*

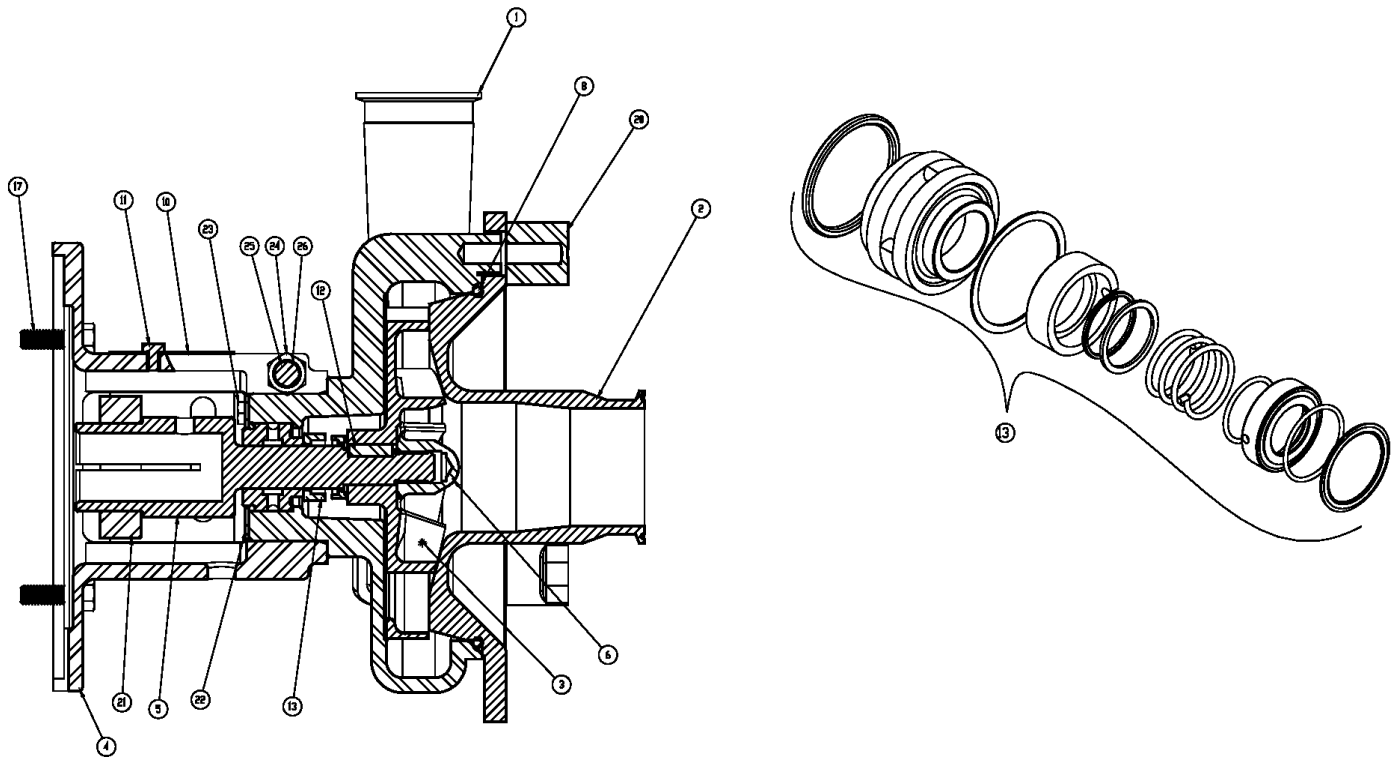
Ref #	Component Item No.	Description	Qty Per
1	SV48610000	CASING,140-210TC,2-1/2 CLMP LC V540	1
2	SC48620098	COVER,V540,3 CLAMP L SERIES	1
	SC48620245	COVER,V540,4 CLAMP L SERIES	1
3	SI48630228	IMPELLER,V540,205/18,205MAX LC/LD	1
4	SX10600007	ADAPTER,180/210TC FRAME LC	1
5	SX00000135	STUBSHAFT,180TC,1-1/8 W/KEY LC	1
6	SI54000000	NUT,633,IMP,56C-210TC LC	1
8	GX80000336	GASKET,V540,CVR,BUNA LC	1
	GX80000058	GASKET,V540,CVR,EPDM LC	1
	GX80000019	GASKET,V540,CVR,VIT LC	1
10	SX10618007	GUARD,SHAFT,180-210TC ADPTR +BOLT LC	1
11	GX48104020	CAPSCRW,HX,1/4-28X3/8,18-8SS HX HD	1
12	SX15000002	KEY,56-280TSC LC	1
13	GS2600002-SC	KIT,633,SEAL,C/N/V LC	1
	GS2600002-SC/TC	KIT,633,SEAL,C/N/V,TAPR CARBN LC	1
	GS2600002-CO	KIT,633,SEAL,CO/N/V LC	1
	GS2600005	KIT,633,SEAL,C/C/V LC	1
	GS2600135	KIT,633,SEAL,FR/C/V LC	1
17	SC1710H-SS	CAPSCRW,HX,1/2-13X1,18-8SS HX HD	4
20	SX03000020	NUT,WING LC SERIES	5
21	SX18000014	COLLAR,180TC,SHAFT LC	1
22	SX48000021	RING,RETAINING,633 SEAL	1
23	GX48104020	CAPSCRW,HX,1/4-28X3/8,18-8SS HX HD	4
24	GX10610105	NUT,HEX,1/2-13,18-8SS L SERIES	1
25	GX10610100	CAPSCRW,HX,1/2-13X3-1/2,18-8SS HX HD	1
26	GX10610405	WASHER,LCK,1/2,18-8SS L SERIES	1



**Exploded View - Seal Only**

*Optional Items Shown in ITALICS*

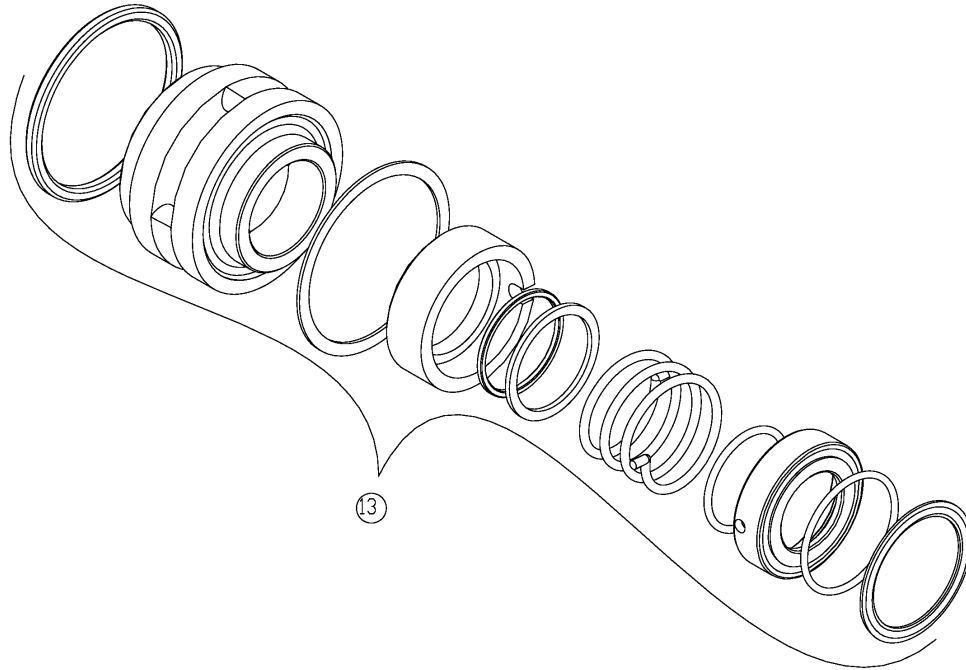
Ref #	Component Item No.	Description	Qty Per
13	<b>GS2600002-SC</b>	<b>KIT,633,SEAL,C/N/V LC</b>	<b>1</b>
	<i>GS2600002-SC/TC</i>	<i>KIT,633,SEAL,C/N/V,TAPR CARBN LC</i>	<i>1</i>
	<i>GS2600002-CO</i>	<i>KIT,633,SEAL,CO/N/V LC</i>	<i>1</i>
	<i>GS2600005</i>	<i>KIT,633,SEAL,C/C/V LC</i>	<i>1</i>
	<i>GS2600135</i>	<i>KIT,633,SEAL,FR/C/V LC</i>	<i>1</i>



**Exploded View**

*Optional Items Shown in ITALICS*

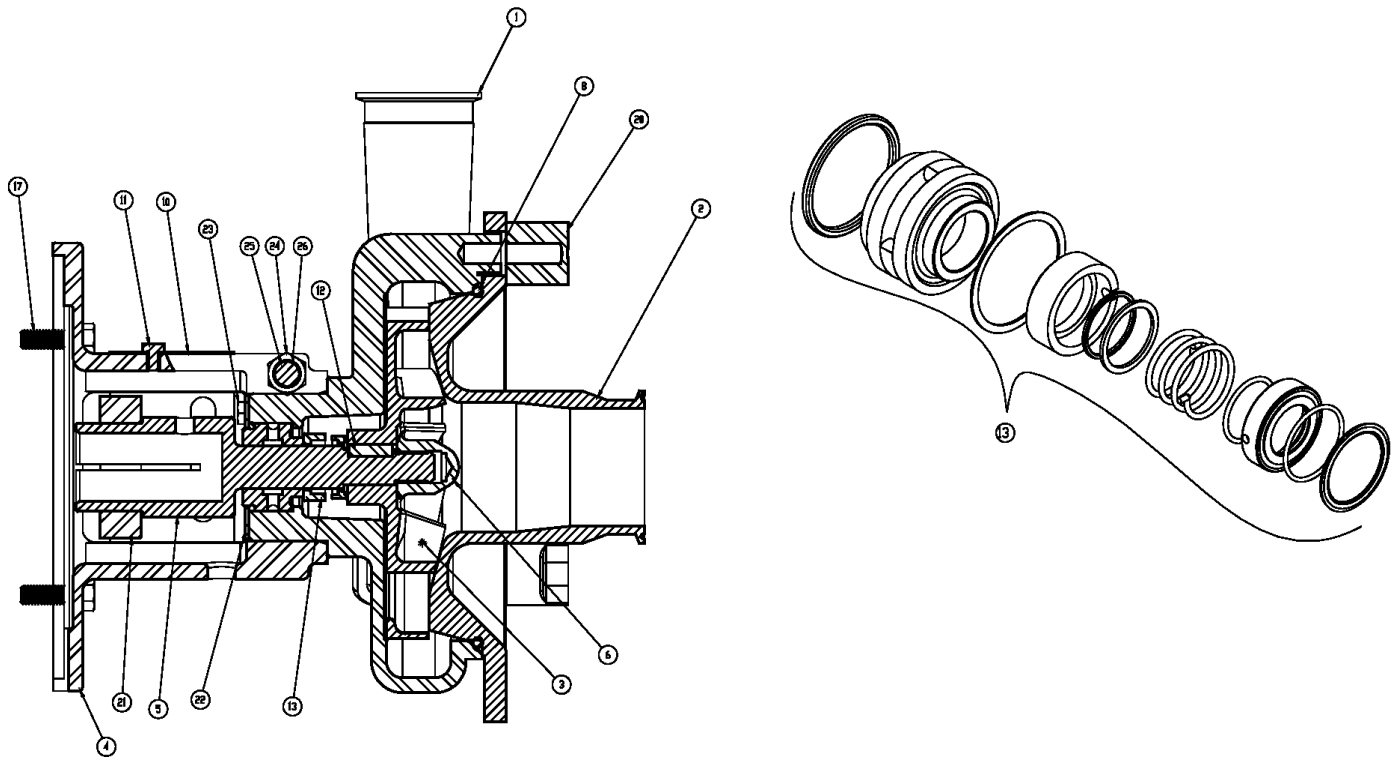
Ref #	Component Item No.	Description	Qty Per
1	SV48610000	CASING,140-210TC,2-1/2 CLMP LC V540	1
2	SC48620098	COVER,V540,3 CLAMP L SERIES	1
	SC48620245	COVER,V540,4 CLAMP L SERIES	1
3	SI48630228	IMPELLER,V540,205/18,205MAX LC/LD	1
4	SX10600007	ADAPTER,180/210TC FRAME LC	1
5	SX00000136	STUBSHAFT,210TC,1-3/8 W/KEY LC	1
6	SI54000000	NUT,633,IMP,56C-210TC LC	1
8	GX80000336	GASKET,V540,CVR,BUNA LC	1
	GX80000058	GASKET,V540,CVR,EPDM LC	1
	GX80000019	GASKET,V540,CVR,VIT LC	1
10	SX10618007	GUARD,SHAFT,180-210TC ADPTR +BOLT LC	1
11	GX48104020	CAPSCRW,HX,1/4-28X3/8,18-8SS HX HD	1
12	SX15000002	KEY,56-280TSC LC	1
13	GS26000002-SC	KIT,633,SEAL,C/N/V LC	1
	GS26000002-SC/TC	KIT,633,SEAL,C/N/V, TAPR CARBN LC	1
	GS26000002-CO	KIT,633,SEAL,CO/N/V LC	1
	GS26000005	KIT,633,SEAL,C/C/N LC	1
	GS2600135	KIT,633,SEAL,FR/C/N LC	1
17	SC1710H-SS	CAPSCRW,HX,1/2-13X1,18-8SS HX HD	4
20	SX03000020	NUT,WING LC SERIES	5
21	SX18000015	COLLAR,210TC,SHAFT LC	1
22	SX48000021	RING,RETAINING,633 SEAL	1
23	GX48104020	CAPSCRW,HX,1/4-28X3/8,18-8SS HX HD	4
24	GX10610105	NUT,HEX,1/2-13,18-8SS L SERIES	1
25	GX10610100	CAPSCRW,HX,1/2-13X3-1/2,18-8SS HX HD	1
26	GX10610405	WASHER,LCK,1/2,18-8SS L SERIES	1



**Exploded View - Seal Only**

*Optional Items Shown in ITALICS*

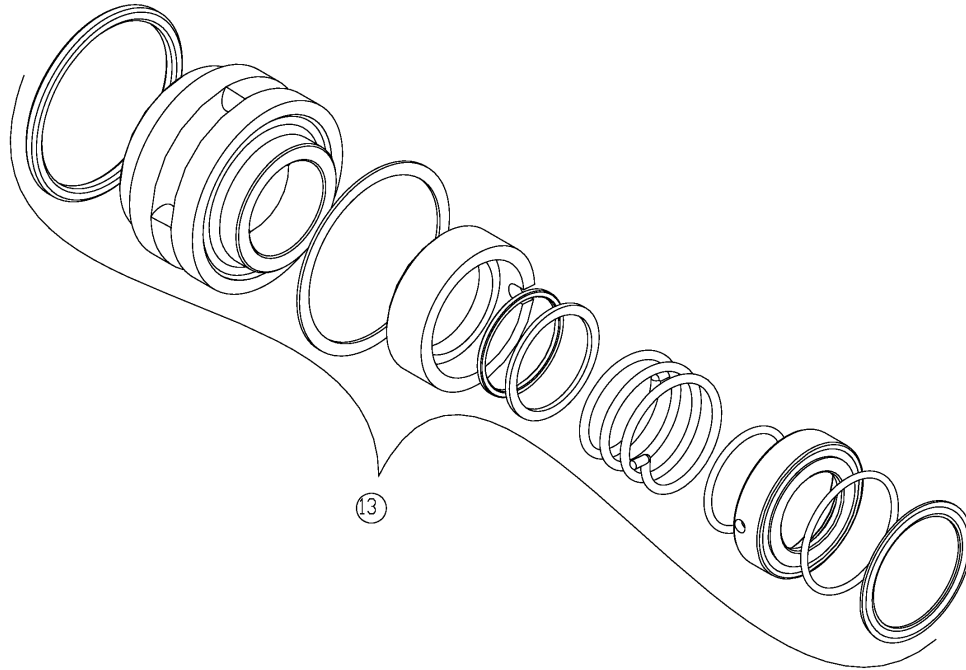
Ref #	Component Item No.	Description	Qty Per
13	<b>GS2600002-SC</b>	<b>KIT,633,SEAL,C/N/V LC</b>	<b>1</b>
	<i>GS2600002-SC/TC</i>	<i>KIT,633,SEAL,C/N/V,TAPR CARBN LC</i>	<i>1</i>
	<i>GS2600002-CO</i>	<i>KIT,633,SEAL,CO/N/V LC</i>	<i>1</i>
	<i>GS2600005</i>	<i>KIT,633,SEAL,C/C/V LC</i>	<i>1</i>
	<i>GS2600135</i>	<i>KIT,633,SEAL,FR/C/V LC</i>	<i>1</i>



**Exploded View**

*Optional Items Shown in ITALICS*

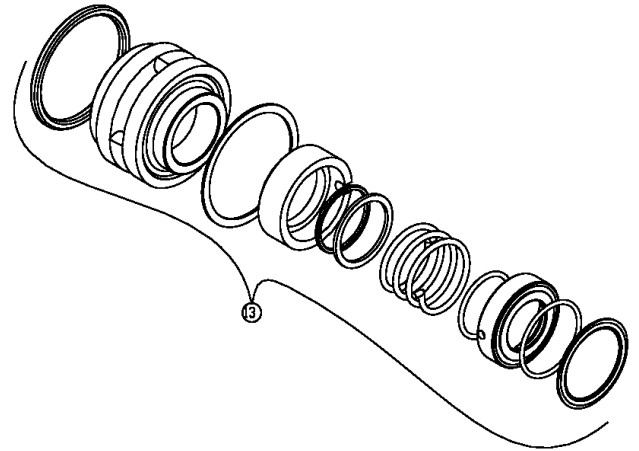
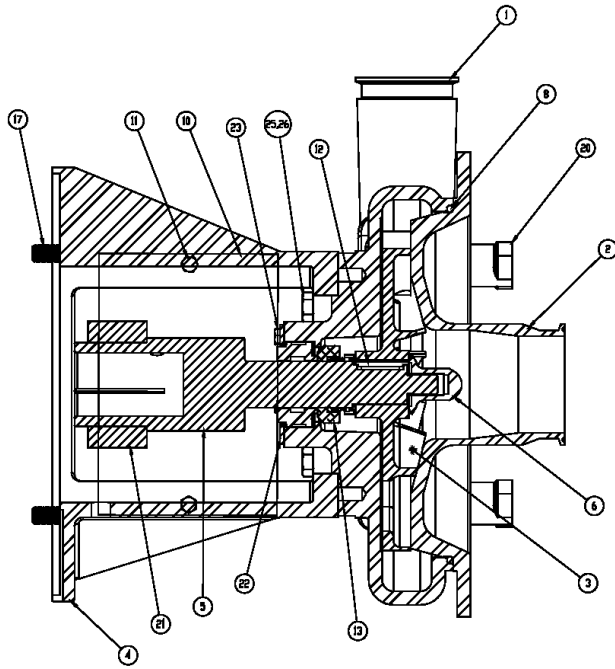
Ref #	Component Item No.	Description	Qty Per
1	SV48610002	CASING,250TC,2-1/2 CLMP LC V540	1
2	SC48620098	COVER,V540,3 CLAMP L SERIES	1
	SC48620245	COVER,V540,4 CLAMP L SERIES	1
3	SI48630224	IMPELLER,V540,205/22,205MAX LC/LD/LF	1
4	SX10600088	ADAPTER,250TC FRAME LC	1
5	SX00000137	STUBSHAFT,250TC,1-5/8 W/KEY LC	1
6	SI54000007	NUT,735,IMP,250TC-280TC	1
8	GX80000336	GASKET,V540,CVR,BUNA LC	1
	GX80000058	GASKET,V540,CVR,EPDM LC	1
	GX80000019	GASKET,V540,CVR,VIT LC	1
10	SX10625088	GUARD,SHAFT,250TC ADPTR LC	1
11	GX48104020	CAPSCRW,HX,1/4-28X3/8,18-8SS HX HD	1
12	SX15000002	KEY,56-280TSC LC	1
13	GS2600127-SC	KIT,735,SEAL,C/N/V LC	1
	GS2600127-SC/TC	KIT,735,SEAL,C/N/V, TAPR CARBN LC	1
	GS2600127-CO	KIT,735,SEAL,CO/N/V LC	1
	GS2600143	KIT,735,SEAL,FR/C/V LC	1
	GS2600129	KIT,735,SEAL,C/C/V LC	1
17	SC1710H-SS	CAPSCRW,HX,1/2-13X1,18-8SS HX HD	4
20	SX03000020	NUT,WING LC SERIES	5
21	SX18000016	COLLAR,250TC/280TSC,SHAFT LC	1
22	SX48000027	RING,RETAINING,735,250TC 735 SEAL	1
23	GX48106027	CAPSCRW,SH,10-32X3/8,18-8SS SCKT HD	6
24	GX10610105	NUT,HEX,1/2-13,18-8SS L SERIES	1
25	GX10610100	CAPSCRW,HX,1/2-13X3-1/2,18-8SS HX HD	1
26	GX10610405	WASHER,LCK,1/2,18-8SS L SERIES	1



**Exploded View - Seal Only**

*Optional Items Shown in ITALICS*

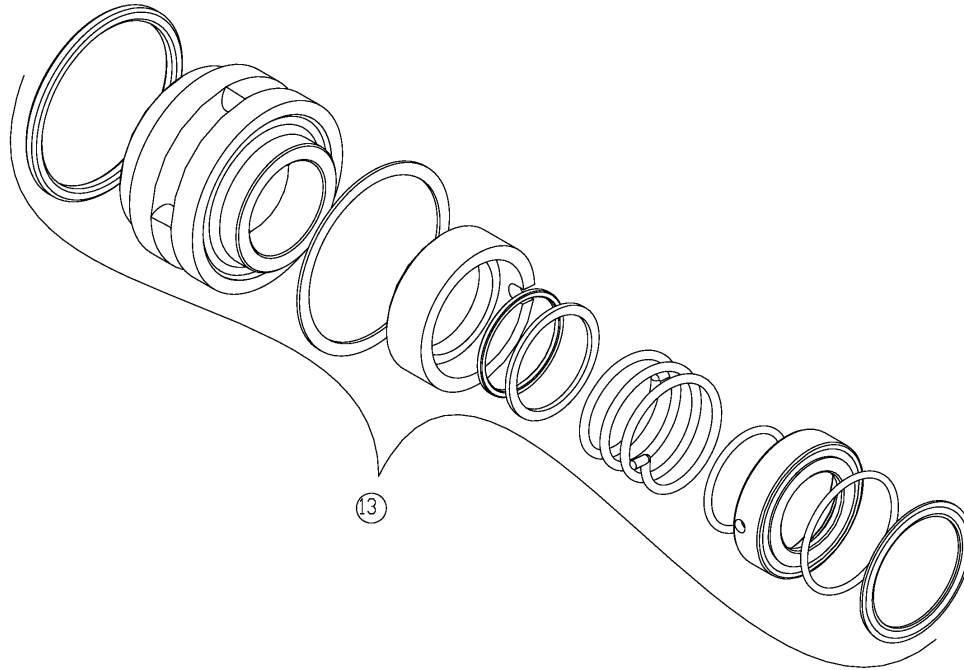
Ref #	Component Item No.	Description	Qty Per
13	<b>GS2600127-SC</b>	<b>KIT,735,SEAL,C/N/V LC</b>	<b>1</b>
	<i>GS2600127-SC/TC</i>	<i>KIT,735,SEAL,C/N/V,TAPR CARBN LC</i>	<i>1</i>
	<i>GS2600127-CO</i>	<i>KIT,735,SEAL,CO/N/V LC</i>	<i>1</i>
	<i>GS2600143</i>	<i>KIT,735,SEAL,FR/C/V LC</i>	<i>1</i>
	<i>GS2600129</i>	<i>KIT,735,SEAL,C/C/V LC</i>	<i>1</i>



**Exploded View**

*Optional Items Shown in ITALICS*

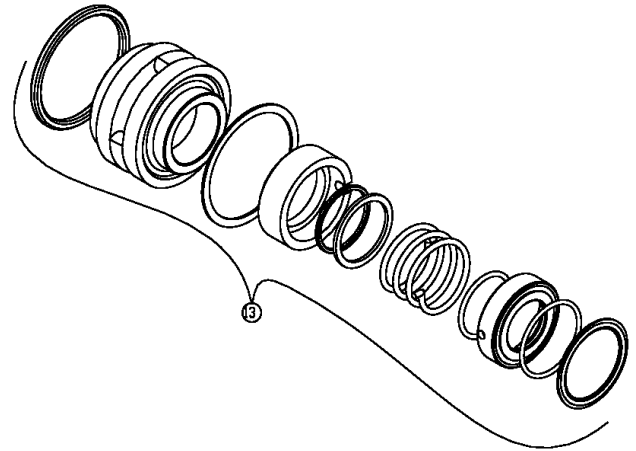
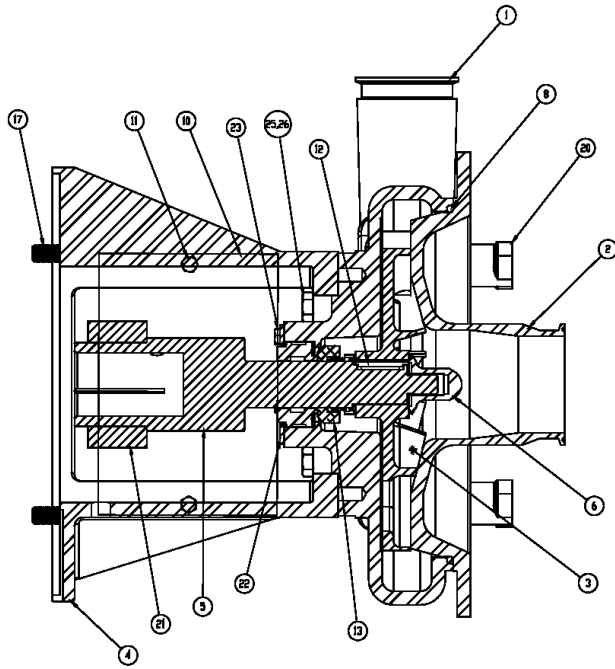
Ref #	Component Item No.	Description	Qty Per
1	SV48610001	CASING,280TSC,2-1/2 CLMP LC V540	1
2	SC48620098	COVER,V540,3 CLAMP L SERIES	1
	SC48620245	COVER,V540,4 CLAMP L SERIES	1
3	SI48630224	IMPELLER,V540,205/22,205MAX LC/LD/LF	1
4	SX10600089	ADAPTER,280TC/TSC FRAME LC/LD	1
5	SX00000080	STUBSHAFT,280TSC,1-5/8 W/KEY LC	1
6	SI54000007	NUT,735,IMP,250TC-280TC	1
8	GX80000336	GASKET,V540,CVR,BUNA LC	1
	GX80000058	GASKET,V540,CVR,EPDM LC	1
	GX80000019	GASKET,V540,CVR,VIT LC	1
10	SX10628089	GUARD,SHAFT,DBL FLNGE ADPTRS LC	2
11	GX48104020	CAPSCRW,HX,1/4-28X3/8,18-8SS HX HD	4
12	SX15000002	KEY,56-280TSC LC	1
13	GS2600127-SC	KIT,735,SEAL,C/N/V LC	1
	GS2600127-SC/TC	KIT,735,SEAL,C/N/V,TAPR CARBN LC	1
	GS2600127-CO	KIT,735,SEAL,CO/N/V LC	1
	GS2600143	KIT,735,SEAL,FR/C/V LC	1
	GS2600129	KIT,735,SEAL,C/C/V LC	1
17	SC1710H-SS	CAPSCRW,HX,1/2-13X1,18-8SS HX HD	4
20	SX03000020	NUT,WING LC SERIES	5
21	SX18000035	COLLAR,250TC/280TSC,SHAFT LC	1
22	SX48000022	RING,RETAINING,735,280TC 735 SEAL	1
23	GX48104020	CAPSCRW,HX,1/4-28X3/8,18-8SS HX HD	4
25	GX10610400	CAPSCRW,HX,M12-1.75X30MM,18-8S HX HD	4
26	GX10610405	WASHER,LCK,1/2,18-8SS L SERIES	4



**Exploded View - Seal Only**

*Optional Items Shown in ITALICS*

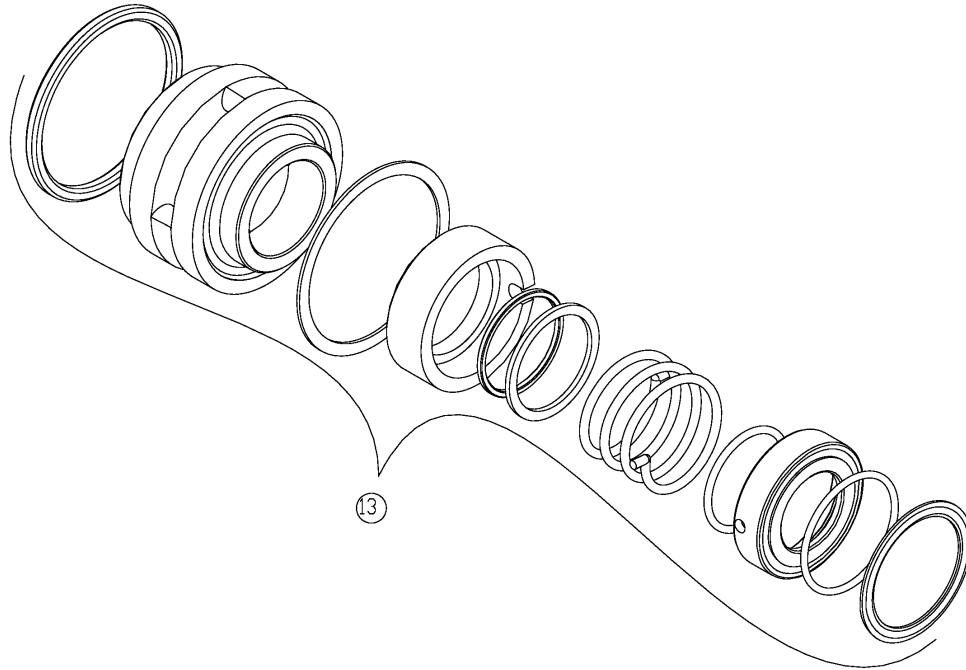
Ref #	Component Item No.	Description	Qty Per
13	<b>GS2600127-SC</b>	<b>KIT,735,SEAL,C/N/V LC</b>	<b>1</b>
	<i>GS2600127-SC/TC</i>	<i>KIT,735,SEAL,C/N/V,TAPR CARBN LC</i>	<i>1</i>
	<i>GS2600127-CO</i>	<i>KIT,735,SEAL,CO/N/V LC</i>	<i>1</i>
	<i>GS2600143</i>	<i>KIT,735,SEAL,FR/C/V LC</i>	<i>1</i>
	<i>GS2600129</i>	<i>KIT,735,SEAL,C/C/V LC</i>	<i>1</i>



**Exploded View**

*Optional Items Shown in ITALICS*

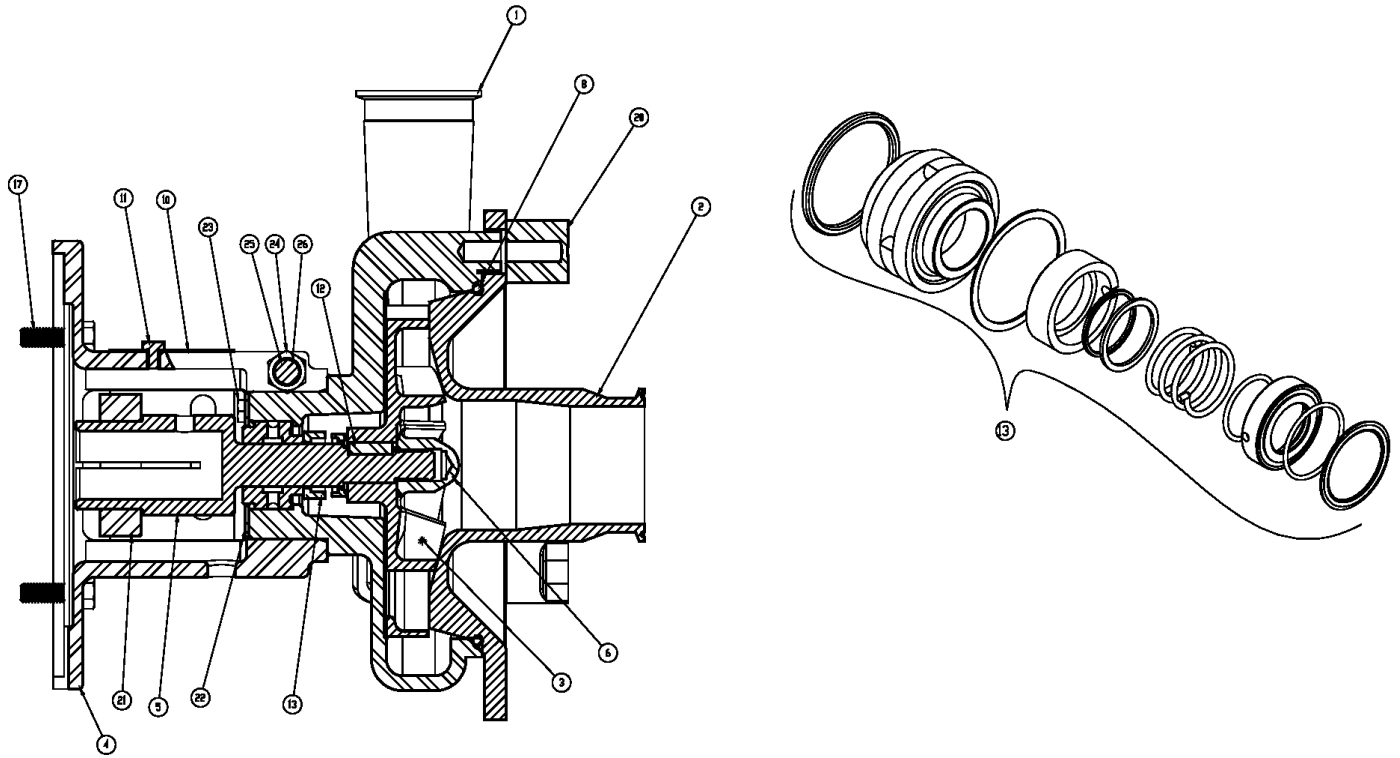
Ref #	Component Item No.	Description	Qty Per
1	SV48610003	CASING,320TSC,2-1/2 CLMP LC V540	1
2	SC48620098	COVER,V540,3 CLAMP L SERIES	1
	SC48620245	COVER,V540,4 CLAMP L SERIES	1
3	SI48630223	IMPELLER,V540,205/30,205MAX, EXT'D HUB LC/LD	1
4	SX10600100	ADAPTER,320TC/TSC FRAME LC/LD/LF	1
5	SX00000084	STUBSHAFT,320TSC,1-7/8 W/KEY LC	1
6	SI54000005	NUT,735/736,IMP,EXT HUB LC	1
8	GX80000336	GASKET,V540,CVR,BUNA LC	1
	GX80000058	GASKET,V540,CVR,EPDM LC	1
	GX80000019	GASKET,V540,CVR,VIT LC	1
10	SX10628089	GUARD,SHAFT,DBL FLNGE ADPTRS LC	2
11	GX48104020	CAPSCRW,HX,1/4-28X3/8,18-8SS HX HD	4
12	SX15000023	KEY, LC, 320TSC	1
13	GS2600009-SC	KIT,736,SEAL,C/N/V LC	1
	GS2600009-SC/TC	KIT,736,SEAL,C/N/V,TAPR CARBN LC	1
	GS2600009-CO	KIT,736,SEAL,CO/N/V LC	1
	GS2600141	KIT,736,SEAL,FR/C/V LC	1
	GS2600132	KIT,736,SEAL,C/C/V LC	1
17	GX5076700	CAPSCRW,HX,5/8-11X1-1/2,18-8SS HX HD	4
20	SX03000020	NUT,WING LC SERIES	5
21	SX18000027	COLLAR,280TC/320TSC,SHAFT LC	1
22	SX48000023	RING,RETAINING,736 SEAL	1
23	GX48104020	CAPSCRW,HX,1/4-28X3/8,18-8SS HX HD	4
25	GX10610400	CAPSCRW,HX,M12-1.75X30MM,18-8S HX HD	4
26	GX10610405	WASHER,LCK,1/2,18-8SS L SERIES	4



**Exploded View - Seal Only**

*Optional Items Shown in ITALICS*

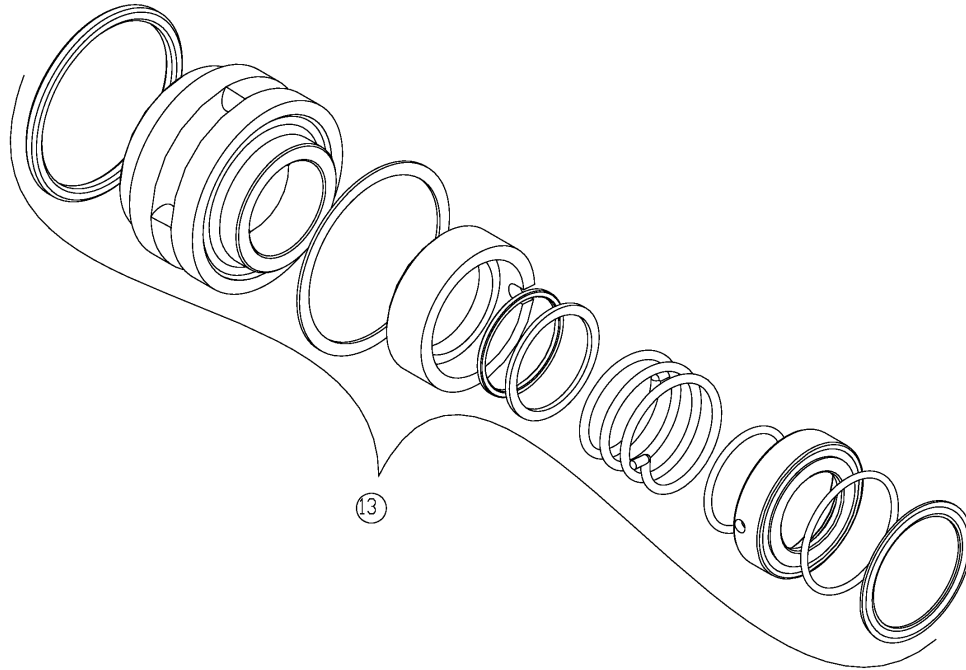
Ref #	Component Item No.	Description	Qty Per
13	<b>GS2600009-SC</b>	<b>KIT,736,SEAL,C/N/V LC</b>	<b>1</b>
	<i>GS2600009-SC/TC</i>	<i>KIT,736,SEAL,C/N/V,TAPR CARBN LC</i>	<i>1</i>
	<i>GS2600009-CO</i>	<i>KIT,736,SEAL,CO/N/V LC</i>	<i>1</i>
	<i>GS2600141</i>	<i>KIT,736,SEAL,FR/C/V LC</i>	<i>1</i>
	<i>GS2600132</i>	<i>KIT,736,SEAL,C/C/V LC</i>	<i>1</i>



**Exploded View**

*Optional Items Shown in ITALICS*

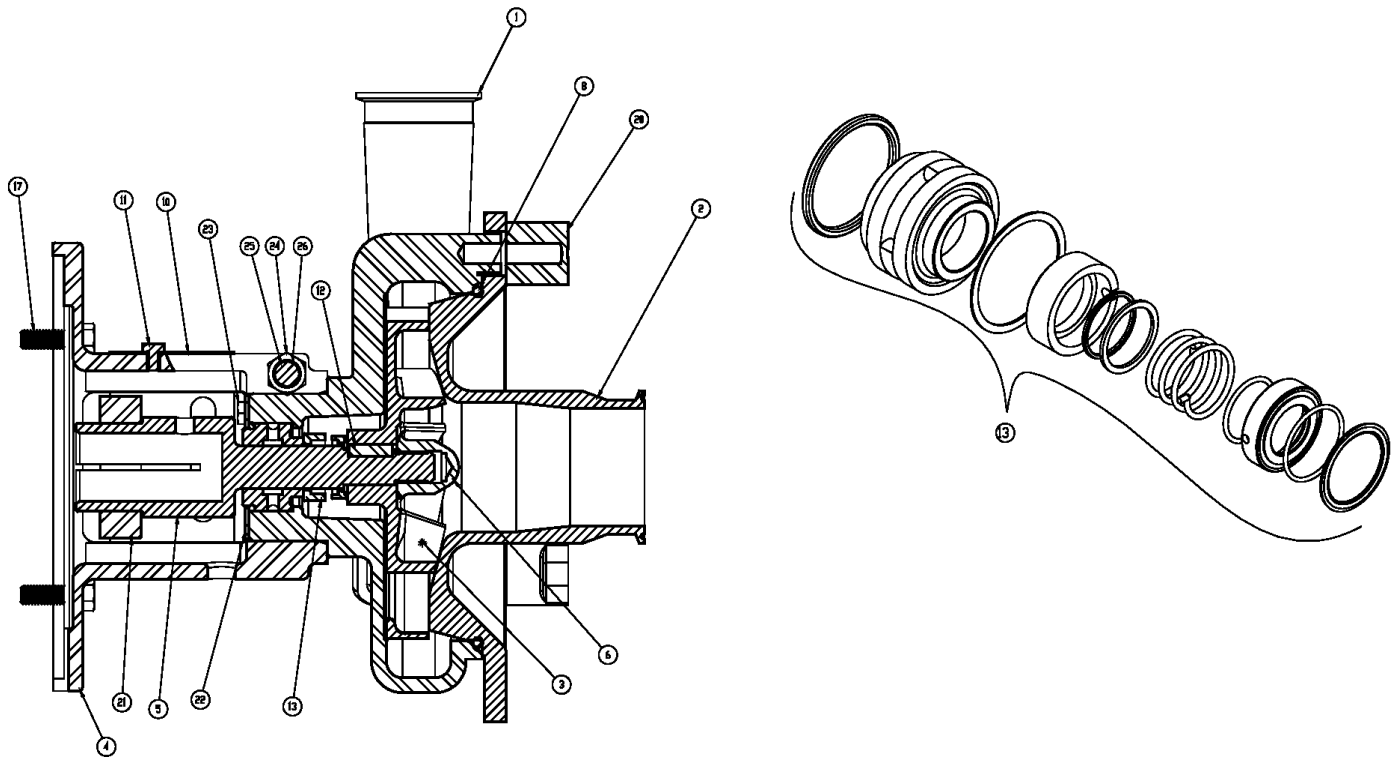
Ref #	Component Item No.	Description	Qty Per
1	SV58610002	CASING,180-250TC,2-1/1 CLMP LC V550	1
2	SC58620074	COVER,V550,3 CLAMP L SERIES	1
	<i>SC58620286</i>	<i>COVER,V550,REDUCING,4 CLAMP L SERIES</i>	<i>1</i>
3	SI58630238	IMPELLER,V550,250/22,250MAX LC/LD	1
4	SX10600088	ADAPTER,250TC FRAME LC	1
5	SX00000308	STUBSHAFT,180TC,1-1/8 W/KEY LC V551	1
6	SI54000007	NUT,735,IMP,250TC-280TC	1
8	GX80000339	GASKET,V450/550,CVR,BUNA LC	1
	<i>GX80000352</i>	<i>GASKET,V450/550,CVR,EPDM LC</i>	<i>1</i>
	<i>GX80000340</i>	<i>GASKET,V450/550,CVR,VIT LC</i>	<i>1</i>
10	SX10625088	GUARD,SHAFT,250TC ADPTR LC	1
11	GX48104020	CAPSCRW,HX,1/4-28X3/8,18-8SS HX HD	1
12	SX15000002	KEY,56-280TSC LC	1
13	GS2600127-SC	KIT,735,SEAL,C/N/V LC	1
	<i>GS2600127-SC/TC</i>	<i>KIT,735,SEAL,C/N/V,TAPR CARBN LC</i>	<i>1</i>
	<i>GS2600127-CO</i>	<i>KIT,735,SEAL,CO/N/V LC</i>	<i>1</i>
	<i>GS2600143</i>	<i>KIT,735,SEAL,FR/C/V LC</i>	<i>1</i>
	<i>GS2600129</i>	<i>KIT,735,SEAL,C/C/V LC</i>	<i>1</i>
17	SC1710H-SS	CAPSCRW,HX,1/2-13X1,18-8SS HX HD	4
20	SX03000020	NUT,WING LC SERIES	5
21	SX18000014	COLLAR,180TC,SHAFT LC	1
22	SX48000027	RING,RETAINING,735,250TC 735 SEAL	1
23	GX48106027	CAPSCRW,SH,10-32X3/8,18-8SS SCKT HD	6
24	GX10610105	NUT,HEX,1/2-13,18-8SS L SERIES	1
25	GX10610100	CAPSCRW,HX,1/2-13X3-1/2,18-8SS HX HD	1
26	GX10610405	WASHER,LCK,1/2,18-8SS L SERIES	1



**Exploded View - Seal Only**

*Optional Items Shown in ITALICS*

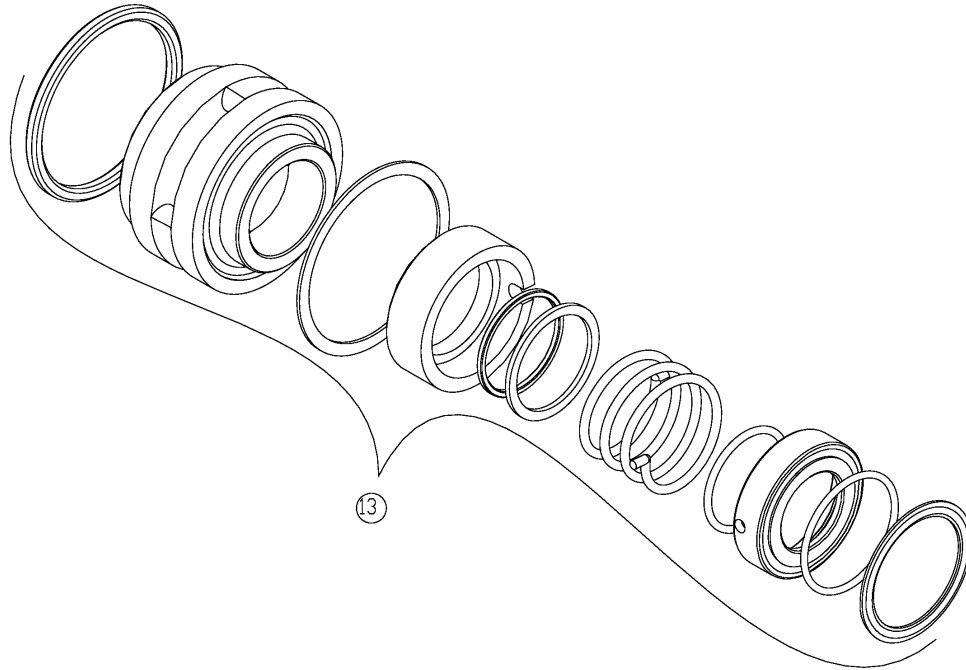
Ref #	Component Item No.	Description	Qty Per
13	<b>GS2600127-SC</b>	<b>KIT,735,SEAL,C/N/V LC</b>	<b>1</b>
	<i>GS2600127-SC/TC</i>	<i>KIT,735,SEAL,C/N/V,TAPR CARBN LC</i>	<i>1</i>
	<i>GS2600127-CO</i>	<i>KIT,735,SEAL,CO/N/V LC</i>	<i>1</i>
	<i>GS2600143</i>	<i>KIT,735,SEAL,FR/C/V LC</i>	<i>1</i>
	<i>GS2600129</i>	<i>KIT,735,SEAL,C/C/V LC</i>	<i>1</i>



**Exploded View**

*Optional Items Shown in ITALICS*

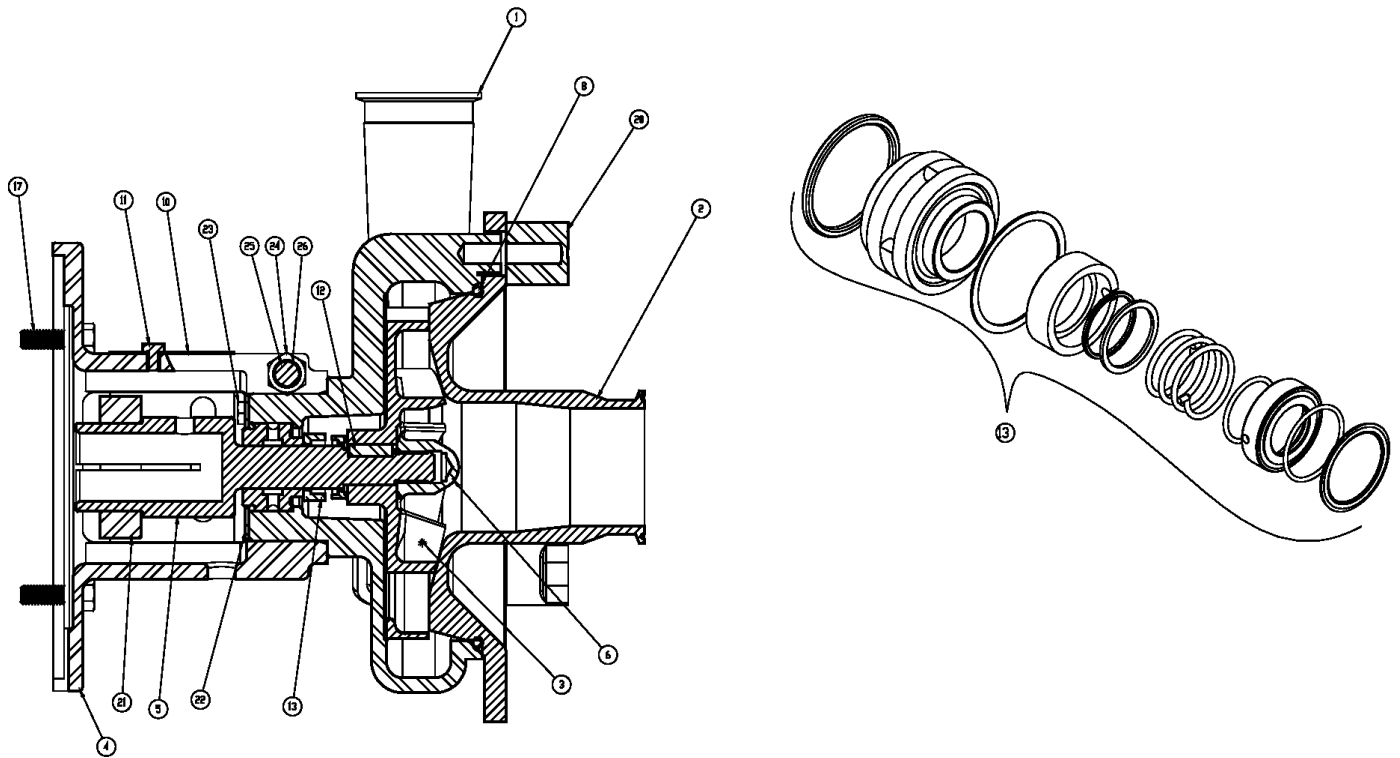
Ref #	Component Item No.	Description	Qty Per
1	SV58610002	CASING,180-250TC,2-1/1 CLMP LC V550	1
2	SC58620074	COVER,V550,3 CLAMP L SERIES	1
	SC58620286	COVER,V550,REDUCING,4 CLAMP L SERIES	1
3	SI58630238	IMPELLER,V550,250/22,250MAX LC/LD	1
4	SX10600088	ADAPTER,250TC FRAME LC	1
5	SX00000282	STUBSHAFT,210TC,1-3/8 W/KEY LC V551	1
6	SI54000007	NUT,735,IMP,250TC-280TC	1
8	GX80000339	GASKET,V450/550,CVR,BUNA LC	1
	GX80000352	GASKET,V450/550,CVR,EPDM LC	1
	GX80000340	GASKET,V450/550,CVR,VIT LC	1
10	SX10625088	GUARD,SHAFT,250TC ADPTR LC	1
11	GX48104020	CAPSCRW,HX,1/4-28X3/8,18-8SS HX HD	1
12	SX15000002	KEY,56-280TSC LC	1
13	GS2600127-SC	KIT,735,SEAL,C/N/V LC	1
	GS2600127-SC/TC	KIT,735,SEAL,C/N/V, TAPR CARBN LC	1
	GS2600127-CO	KIT,735,SEAL,CO/N/V LC	1
	GS2600143	KIT,735,SEAL,FR/C/V LC	1
	GS2600129	KIT,735,SEAL,C/C/V LC	1
17	SC1710H-SS	CAPSCRW,HX,1/2-13X1,18-8SS HX HD	4
20	SX03000020	NUT,WING LC SERIES	5
21	SX18000015	COLLAR,210TC,SHAFT LC	1
22	SX48000027	RING,RETAINING,735,250TC 735 SEAL	1
23	GX48106027	CAPSCRW,SH,10-32X3/8,18-8SS SCKT HD	6
24	GX10610105	NUT,HEX,1/2-13,18-8SS L SERIES	1
25	GX10610100	CAPSCRW,HX,1/2-13X3-1/2,18-8SS HX HD	1
26	GX10610405	WASHER,LCK,1/2,18-8SS L SERIES	1



**Exploded View - Seal Only**

*Optional Items Shown in ITALICS*

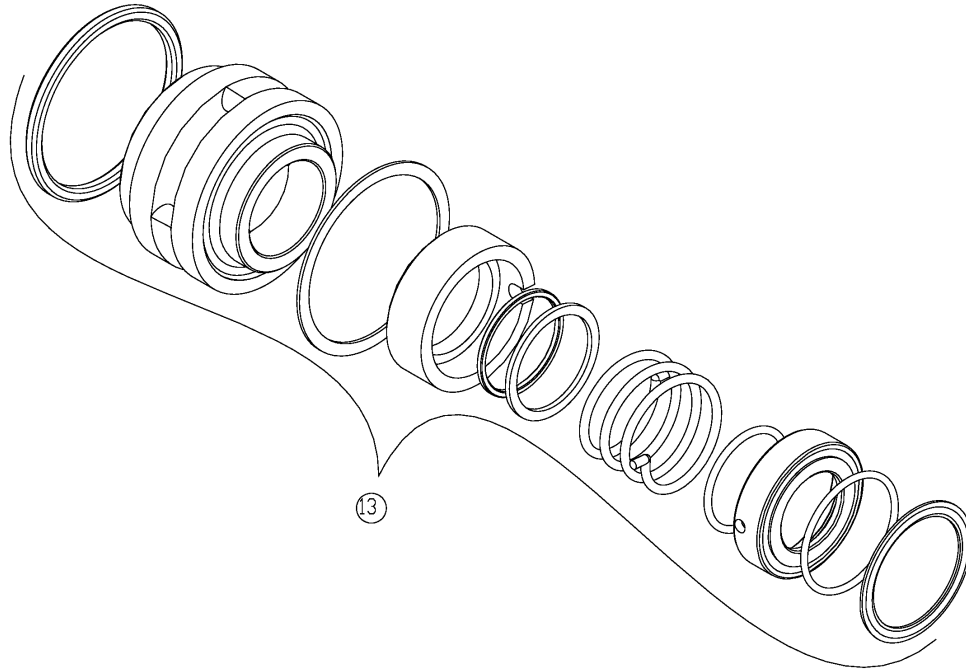
Ref #	Component Item No.	Description	Qty Per
13	<b>GS2600127-SC</b>	<b>KIT,735,SEAL,C/N/V LC</b>	<b>1</b>
	<i>GS2600127-SC/TC</i>	<i>KIT,735,SEAL,C/N/V,TAPR CARBN LC</i>	<i>1</i>
	<i>GS2600127-CO</i>	<i>KIT,735,SEAL,CO/N/V LC</i>	<i>1</i>
	<i>GS2600143</i>	<i>KIT,735,SEAL,FR/C/V LC</i>	<i>1</i>
	<i>GS2600129</i>	<i>KIT,735,SEAL,C/C/V LC</i>	<i>1</i>



**Exploded View**

*Optional Items Shown in ITALICS*

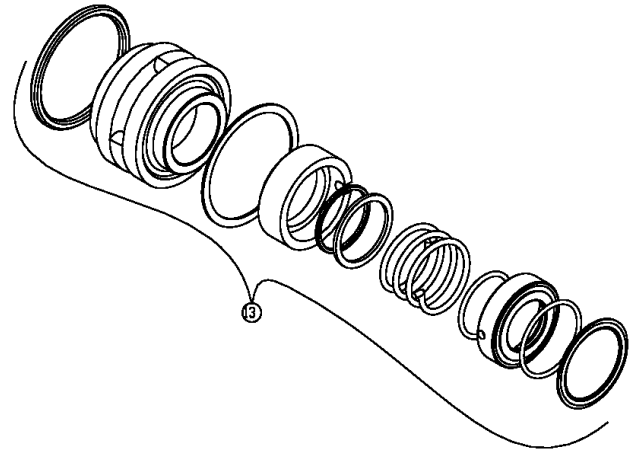
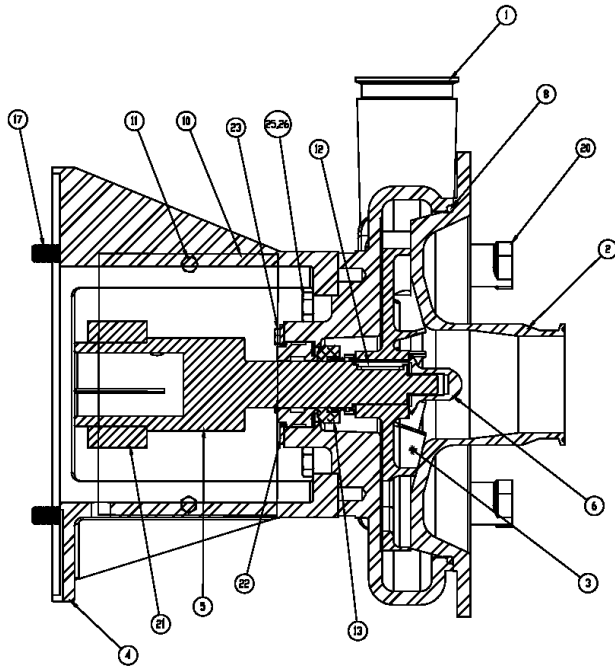
Ref #	Component Item No.	Description	Qty Per
1	SV58610002	CASING,180-250TC,2-1/1 CLMP LC V550	1
2	SC58620074	COVER,V550,3 CLAMP L SERIES	1
	SC58620286	COVER,V550,REDUCING,4 CLAMP L SERIES	1
3	SI58630238	IMPELLER,V550,250/22,250MAX LC/LD	1
4	SX10600088	ADAPTER,250TC FRAME LC	1
5	SX00000137	STUBSHAFT,250TC,1-5/8 W/KEY LC	1
6	SI54000007	NUT,735,IMP,250TC-280TC	1
8	GX80000339	GASKET,V450/550,CVR,BUNA LC	1
	GX80000352	GASKET,V450/550,CVR,EPDM LC	1
	GX80000340	GASKET,V450/550,CVR,VIT LC	1
10	SX10625088	GUARD,SHAFT,250TC ADPTR LC	1
11	GX48104020	CAPSCRW,HX,1/4-28X3/8,18-8SS HX HD	1
12	SX15000002	KEY,56-280TSC LC	1
13	GS2600127-SC	KIT,735,SEAL,C/N/V LC	1
	GS2600127-SC/TC	KIT,735,SEAL,C/N/V, TAPR CARBN LC	1
	GS2600127-CO	KIT,735,SEAL,CO/N/V LC	1
	GS2600143	KIT,735,SEAL,FR/C/V LC	1
	GS2600129	KIT,735,SEAL,C/C/V LC	1
17	SC1710H-SS	CAPSCRW,HX,1/2-13X1,18-8SS HX HD	4
20	SX03000020	NUT,WING LC SERIES	5
21	SX18000016	COLLAR,250TC/280TSC,SHAFT LC	1
22	SX48000027	RING,RETAINING,735,250TC 735 SEAL	1
23	GX48106027	CAPSCRW,SH,10-32X3/8,18-8SS SCKT HD	6
24	GX10610105	NUT,HEX,1/2-13,18-8SS L SERIES	1
25	GX10610100	CAPSCRW,HX,1/2-13X3-1/2,18-8SS HX HD	1
26	GX10610405	WASHER,LCK,1/2,18-8SS L SERIES	1



**Exploded View - Seal Only**

*Optional Items Shown in ITALICS*

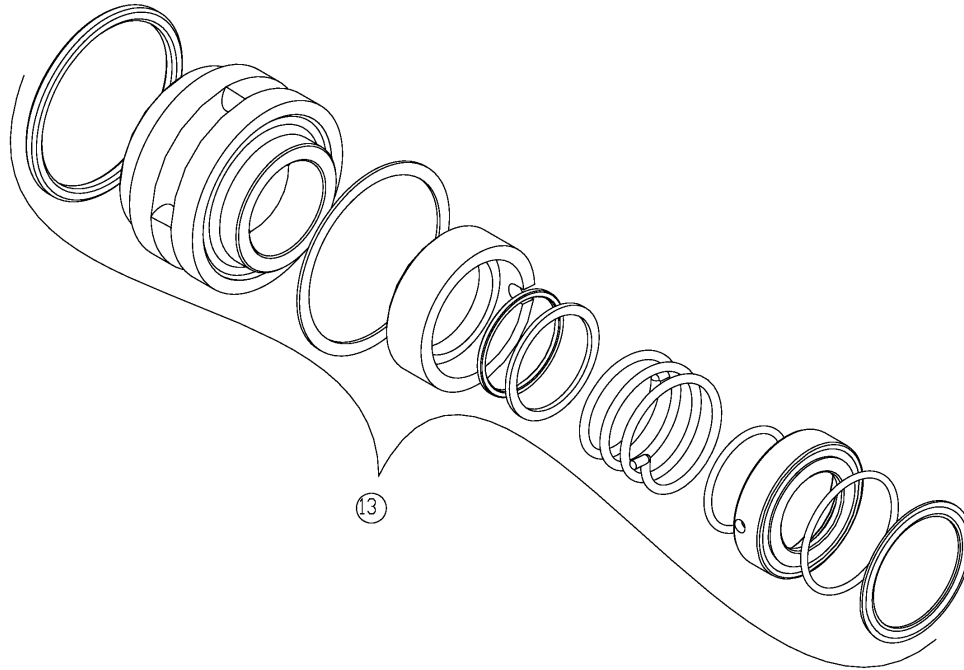
<b>Ref #</b>	<b>Component Item No.</b>	<b>Description</b>	<b>Qty Per</b>
13	<b>GS2600127-SC</b>	<b>KIT,735,SEAL,C/N/V LC</b>	<b>1</b>
	<i>GS2600127-SC/TC</i>	<i>KIT,735,SEAL,C/N/V,TAPR CARBN LC</i>	<i>1</i>
	<i>GS2600127-CO</i>	<i>KIT,735,SEAL,CO/N/V LC</i>	<i>1</i>
	<i>GS2600143</i>	<i>KIT,735,SEAL,FR/C/V LC</i>	<i>1</i>
	<i>GS2600129</i>	<i>KIT,735,SEAL,C/C/V LC</i>	<i>1</i>



**Exploded View**

*Optional Items Shown in ITALICS*

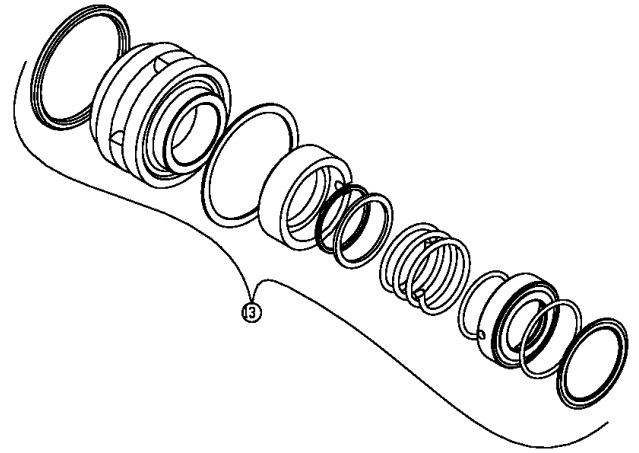
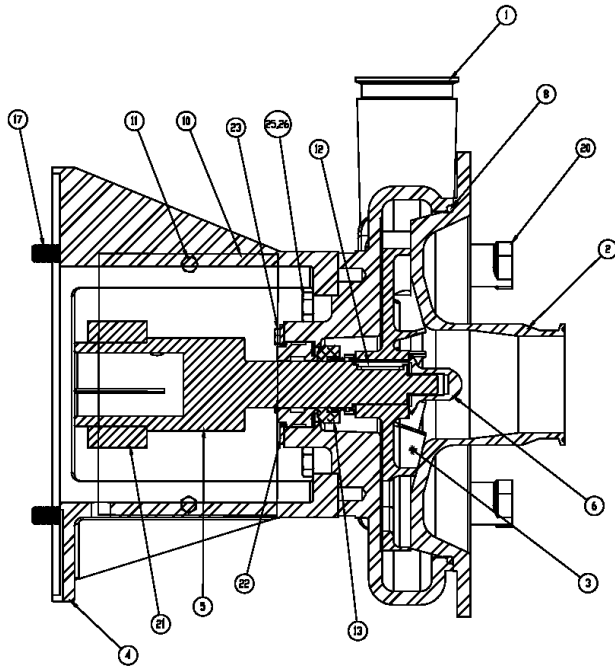
Ref #	Component Item No.	Description	Qty Per
1	SV58610001	CASING,280TSC,2-1/2 CLMP LC V550	1
2	SC58620074	COVER,V550,3 CLAMP L SERIES	1
	<i>SC58620286</i>	<i>COVER,V550,REDUCING,4 CLAMP L SERIES</i>	<i>1</i>
3	SI58630288	IMPELLER,V550,250/22,250MAX, EXT'D HUB LC/LD	1
4	SX10600089	ADAPTER,280TC/TSC FRAME LC/LD	1
5	SX00000083	STUBSHAFT,280TSC,EXT,1-5/8,KEY LC	1
6	SI54000005	NUT,735/736,IMP,EXT HUB LC	1
8	GX80000339	GASKET,V450/550,CVR,BUNA LC	1
	<i>GX80000352</i>	<i>GASKET,V450/550,CVR,EPDM LC</i>	<i>1</i>
	<i>GX80000340</i>	<i>GASKET,V450/550,CVR,VIT LC</i>	<i>1</i>
10	SX10628089	GUARD,SHAFT,DBL FLNGE ADPTRS LC	2
11	GX48104020	CAPSCRW,HX,1/4-28X3/8,18-8SS HX HD	4
12	SX15000019	KEY,280TSC,EXT'D HUB LC	1
13	GS2600127-SC	KIT,735,SEAL,C/N/V LC	1
	<i>GS2600127-SC/TC</i>	<i>KIT,735,SEAL,C/N/V,TAPR CARBN LC</i>	<i>1</i>
	<i>GS2600127-CO</i>	<i>KIT,735,SEAL,CO/N/V LC</i>	<i>1</i>
	<i>GS2600143</i>	<i>KIT,735,SEAL,FR/C/V LC</i>	<i>1</i>
	<i>GS2600129</i>	<i>KIT,735,SEAL,C/C/V LC</i>	<i>1</i>
17	SC1710H-SS	CAPSCRW,HX,1/2-13X1,18-8SS HX HD	4
20	SX03000020	NUT,WING LC SERIES	5
21	SX18000035	COLLAR,250TC/280TSC,SHAFT LC	1
22	SX48000022	RING,RETAINING,735,280TC 735 SEAL	1
23	GX48104020	CAPSCRW,HX,1/4-28X3/8,18-8SS HX HD	4
25	GX10610400	CAPSCRW,HX,M12-1.75X30MM,18-8S HX HD	4
26	GX10610405	WASHER,LCK,1/2,18-8SS L SERIES	4



**Exploded View - Seal Only**

*Optional Items Shown in ITALICS*

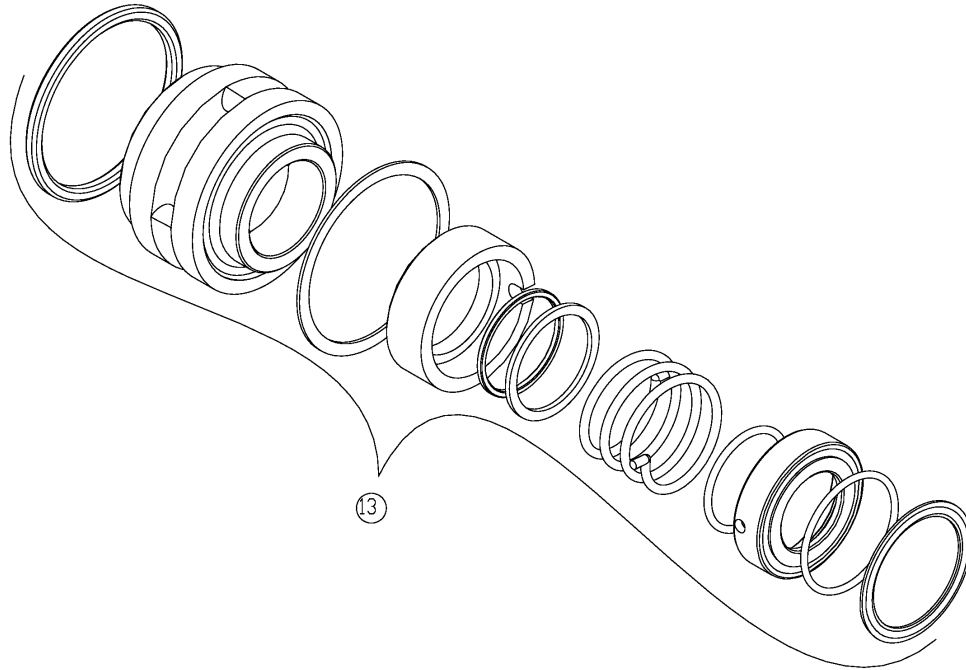
Ref #	Component Item No.	Description	Qty Per
13	<b>GS2600127-SC</b>	<b>KIT,735,SEAL,C/N/V LC</b>	<b>1</b>
	<i>GS2600127-SC/TC</i>	<i>KIT,735,SEAL,C/N/V,TAPR CARBN LC</i>	<i>1</i>
	<i>GS2600127-CO</i>	<i>KIT,735,SEAL,CO/N/V LC</i>	<i>1</i>
	<i>GS2600143</i>	<i>KIT,735,SEAL,FR/C/V LC</i>	<i>1</i>
	<i>GS2600129</i>	<i>KIT,735,SEAL,C/C/V LC</i>	<i>1</i>



**Exploded View**

*Optional Items Shown in ITALICS*

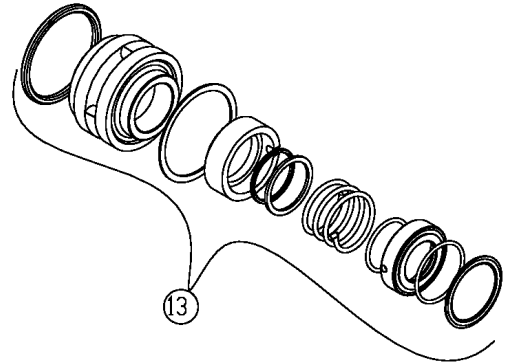
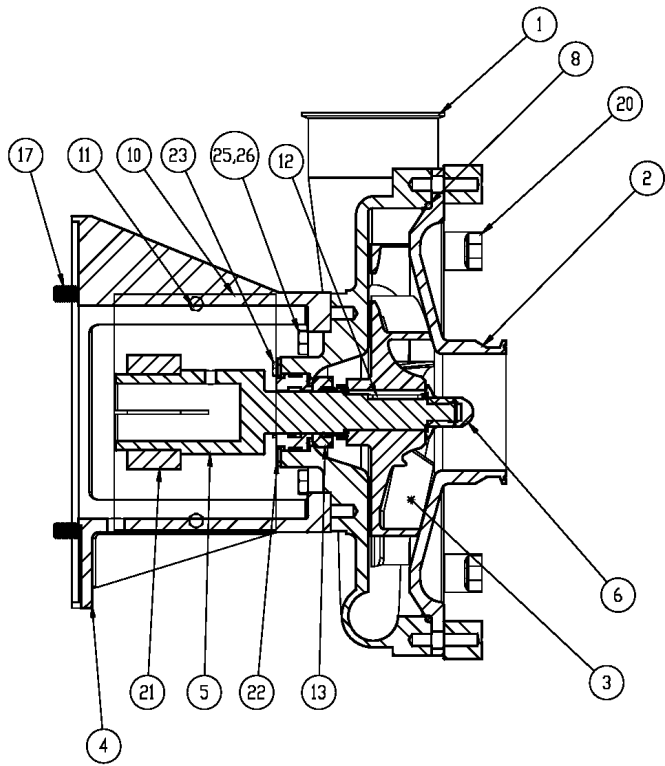
Ref #	Component Item No.	Description	Qty Per
1	SV58610003	CASING,320TSC,2-1/2 CLMP LC V550	1
2	SC58620074	COVER,V550,3 CLAMP L SERIES	1
	<i>SC58620286</i>	<i>COVER,V550,REDUCING,4 CLAMP L SERIES</i>	1
3	SI58630243	IMPELLER,V550,250/30,250MAX, EXT'D HUB LC/LD	1
4	SX10600100	ADAPTER,320TC/TSC FRAME LC/LD/LF	1
5	SX00000084	STUBSHAFT,320TSC,1-7/8 W/KEY LC	1
6	SI54000005	NUT,735/736,IMP,EXT HUB LC	1
8	GX80000339	GASKET,V450/550,CVR,BUNA LC	1
	<i>GX80000352</i>	<i>GASKET,V450/550,CVR,EPDM LC</i>	1
	<i>GX80000340</i>	<i>GASKET,V450/550,CVR,VIT LC</i>	1
10	SX10628089	GUARD,SHAFT,DBL FLNGE ADPTRS LC	2
11	GX48104020	CAPSCRW,HX,1/4-28X3/8,18-8SS HX HD	4
12	SX15000023	KEY, LC, 320TSC	1
13	GS2600009-SC	KIT,736,SEAL,C/N/V LC	1
	<i>GS2600009-SC/TC</i>	<i>KIT,736,SEAL,C/N/V,TAPR CARBN LC</i>	1
	<i>GS2600009-CO</i>	<i>KIT,736,SEAL,CO/N/V LC</i>	1
	<i>GS2600141</i>	<i>KIT,736,SEAL,FR/C/V LC</i>	1
	<i>GS2600132</i>	<i>KIT,736,SEAL,C/C/V LC</i>	1
17	GX5076700	CAPSCRW,HX,5/8-11X1-1/2,18-8SS HX HD	4
20	SX03000020	NUT,WING LC SERIES	5
21	SX18000027	COLLAR,280TC/320TSC,SHAFT LC	1
22	SX48000023	RING,RETAINING,736 SEAL	1
23	GX48104020	CAPSCRW,HX,1/4-28X3/8,18-8SS HX HD	4
25	GX10610400	CAPSCRW,HX,M12-1.75X30MM,18-8S HX HD	4
26	GX10610405	WASHER,LCK,1/2,18-8SS L SERIES	4



**Exploded View - Seal Only**

*Optional Items Shown in ITALICS*

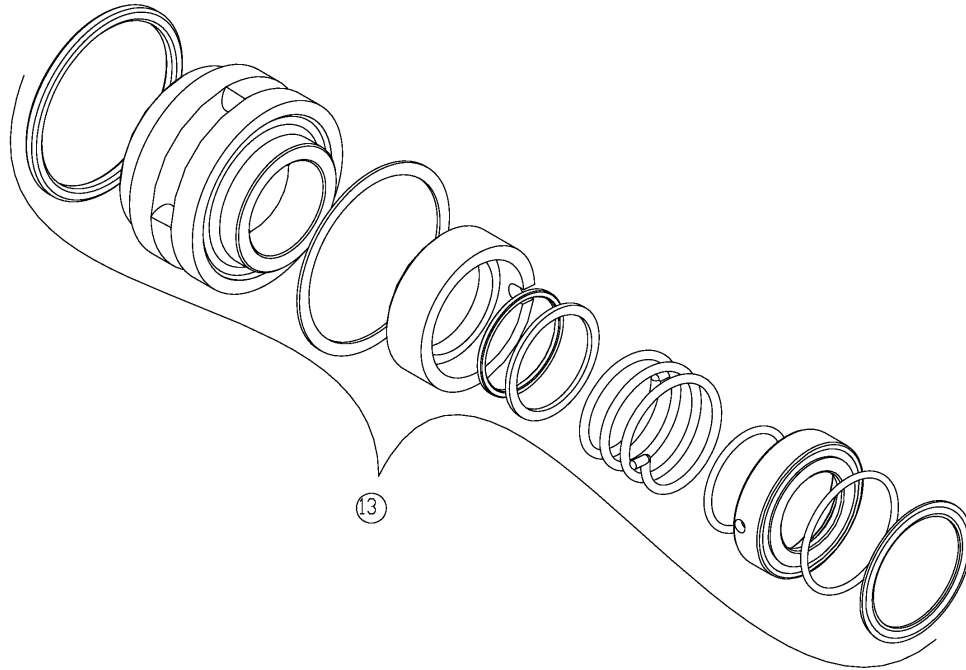
Ref #	Component Item No.	Description	Qty Per
13	<b>GS2600009-SC</b>	<b>KIT,736,SEAL,C/N/V LC</b>	<b>1</b>
	<i>GS2600009-SC/TC</i>	<i>KIT,736,SEAL,C/N/V,TAPR CARBN LC</i>	<i>1</i>
	<i>GS2600009-CO</i>	<i>KIT,736,SEAL,CO/N/V LC</i>	<i>1</i>
	<i>GS2600141</i>	<i>KIT,736,SEAL,FR/C/V LC</i>	<i>1</i>
	<i>GS2600132</i>	<i>KIT,736,SEAL,C/C/V LC</i>	<i>1</i>



**Exploded View**

*Optional Items Shown in ITALICS*

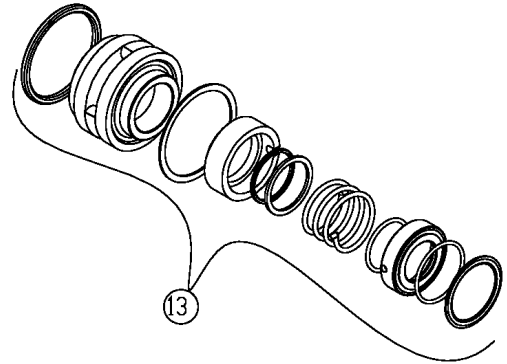
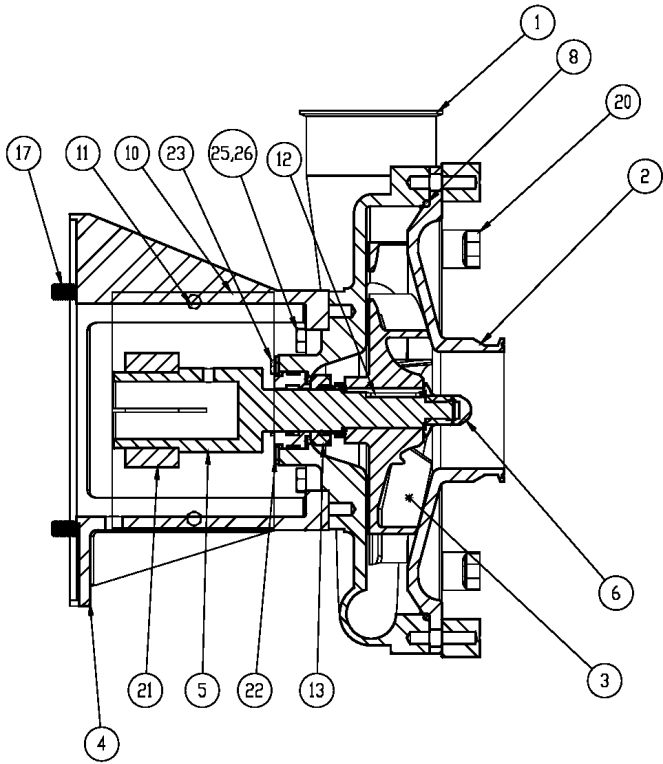
Ref #	Component Item No.	Description	Qty Per
1	SV73610000	CASING,X51/151/161,4 CLAMP LC LD	1
2	SC71620106	COVER,X051,4 CLAMP L SERIES	1
3	SI71630062	IMPELLER,X051,280/30,280MAX, EXT'D HUB LC/LD/LF	1
4	SX10600120	ADAPTER,210-250TC FRAME LCX/LD	1
5	SX00000085	STUBSHAFT,210TC,1-3/8 W/KEY LCX	1
6	SI54000001	NUT,736,IMP LCX	1
8	GX80000021	GASKET,X050/150/160,CVR,N-70 LC BUNA	1
	<i>GX80000152</i>	<i>GASKET,X050/150/160,CVR,EPDM LC</i>	<i>1</i>
	<i>GX80000026</i>	<i>GASKET,X050/150/160,CVR,VIT LC</i>	<i>1</i>
10	SX10628089	GUARD,SHAFT,DBL FLNGE ADPTRS LC	2
11	GX48104020	CAPSCRW,HX,1/4-28X3/8,18-8SS HX HD	4
12	SX15000020	KEY,250TC-320TC LCX	1
13	GS2600009-SC	KIT,736,SEAL,C/N/V LC	1
	<i>GS2600009-SC/TC</i>	<i>KIT,736,SEAL,C/N/V,TAPR CARBN LC</i>	<i>1</i>
	<i>GS2600009-CO</i>	<i>KIT,736,SEAL,CO/N/V LC</i>	<i>1</i>
	<i>GS2600141</i>	<i>KIT,736,SEAL,FR/C/V LC</i>	<i>1</i>
	<i>GS2600132</i>	<i>KIT,736,SEAL,C/C/V LC</i>	<i>1</i>
17	SC1710H-SS	CAPSCRW,HX,1/2-13X1,18-8SS HX HD	4
20	SX03000020	NUT,WING LC SERIES	8
21	SX18000015	COLLAR,210TC,SHAFT LC	1
22	SX48000023	RING,RETAINING,736 SEAL	1
23	GX48104020	CAPSCRW,HX,1/4-28X3/8,18-8SS HX HD	4
25	GX10610400	CAPSCRW,HX,M12-1.75X30MM,18-8S HX HD	4
26	GX10610405	WASHER,LCK,1/2,18-8SS L SERIES	4



**Exploded View - Seal Only**

*Optional Items Shown in ITALICS*

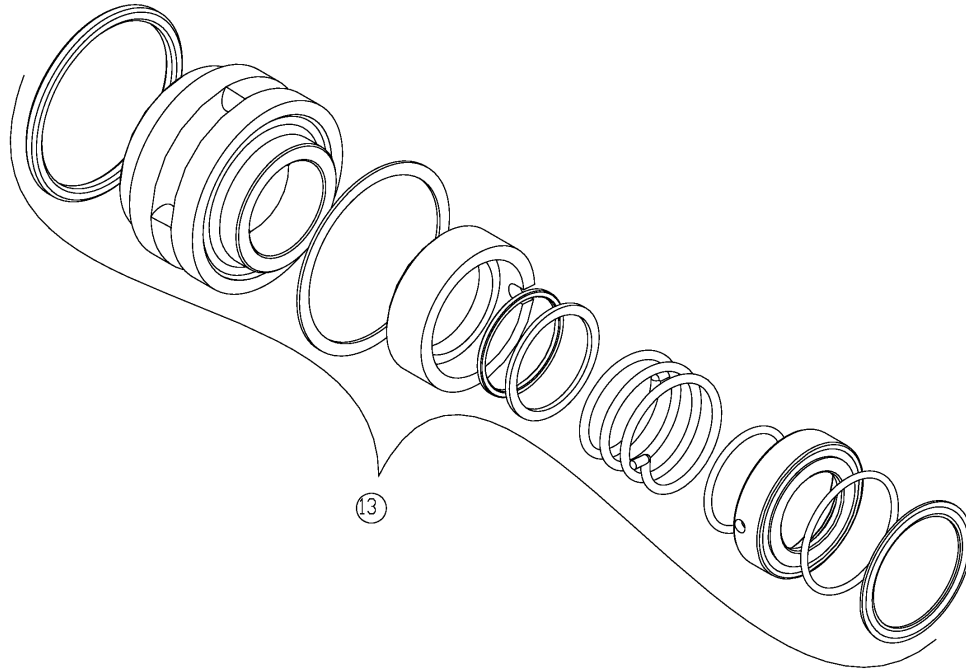
Ref #	Component Item No.	Description	Qty Per
13	<b>GS2600009-SC</b>	<b>KIT,736,SEAL,C/N/V LC</b>	<b>1</b>
	<i>GS2600009-SC/TC</i>	<i>KIT,736,SEAL,C/N/V,TAPR CARBN LC</i>	<i>1</i>
	<i>GS2600009-CO</i>	<i>KIT,736,SEAL,CO/N/V LC</i>	<i>1</i>
	<i>GS2600141</i>	<i>KIT,736,SEAL,FR/C/V LC</i>	<i>1</i>
	<i>GS2600132</i>	<i>KIT,736,SEAL,C/C/V LC</i>	<i>1</i>



**Exploded View**

*Optional Items Shown in ITALICS*

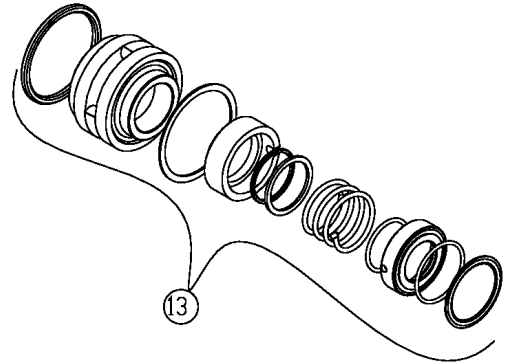
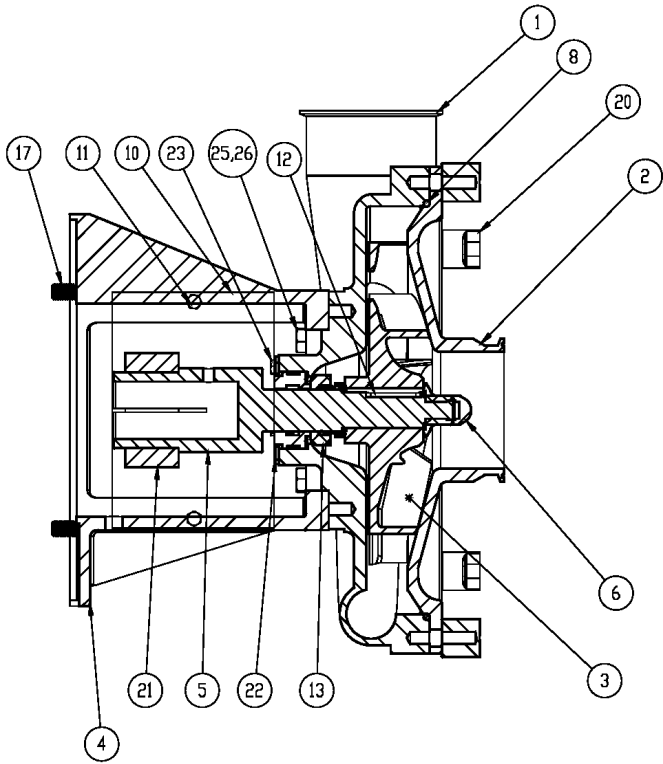
Ref #	Component Item No.	Description	Qty Per
1	SV73610000	CASING,X51/151/161,4 CLAMP LC LD	1
2	SC71620106	COVER,X051,4 CLAMP L SERIES	1
3	SI71630062	IMPELLER,X051,280/30,280MAX, EXT'D HUB LC/LD/LF	1
4	SX10600120	ADAPTER,210-250TC FRAME LCX/LD	1
5	SX00000086	STUBSHAFT,250TC,1-5/8 W/KEY LCX	1
6	SI54000001	NUT,736,IMP LCX	1
8	GX80000021	GASKET,X050/150/160,CVR,N-70 LC BUNA	1
	<i>GX80000152</i>	<i>GASKET,X050/150/160,CVR,EPDM LC</i>	<i>1</i>
	<i>GX80000026</i>	<i>GASKET,X050/150/160,CVR,VIT LC</i>	<i>1</i>
10	SX10628089	GUARD,SHAFT,DBL FLNGE ADPTRS LC	2
11	GX48104020	CAPSCRW,HX,1/4-28X3/8,18-8SS HX HD	4
12	SX15000020	KEY,250TC-320TC LCX	1
13	GS2600009-SC	KIT,736,SEAL,C/N/V LC	1
	<i>GS2600009-SC/TC</i>	<i>KIT,736,SEAL,C/N/V,TAPR CARBN LC</i>	<i>1</i>
	<i>GS2600009-CO</i>	<i>KIT,736,SEAL,CO/N/V LC</i>	<i>1</i>
	<i>GS2600141</i>	<i>KIT,736,SEAL,FR/C/V LC</i>	<i>1</i>
	<i>GS2600132</i>	<i>KIT,736,SEAL,C/C/V LC</i>	<i>1</i>
17	SC1710H-SS	CAPSCRW,HX,1/2-13X1,18-8SS HX HD	4
20	SX03000020	NUT,WING LC SERIES	8
21	SX18000035	COLLAR,250TC/280TSC,SHAFT LC	1
22	SX48000023	RING,RETAINING,736 SEAL	1
23	GX48104020	CAPSCRW,HX,1/4-28X3/8,18-8SS HX HD	4
25	GX10610400	CAPSCRW,HX,M12-1.75X30MM,18-8S HX HD	4
26	GX10610405	WASHER,LCK,1/2,18-8SS L SERIES	4



**Exploded View - Seal Only**

*Optional Items Shown in ITALICS*

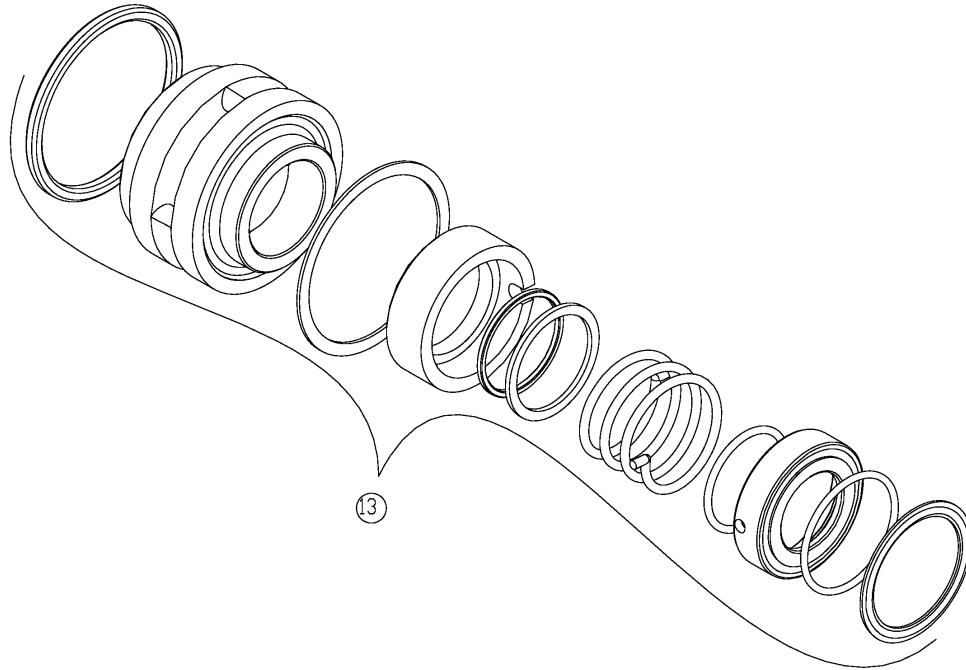
Ref #	Component Item No.	Description	Qty Per
13	<b>GS2600009-SC</b>	<b>KIT,736,SEAL,C/N/V LC</b>	<b>1</b>
	<i>GS2600009-SC/TC</i>	<i>KIT,736,SEAL,C/N/V,TAPR CARBN LC</i>	<i>1</i>
	<i>GS2600009-CO</i>	<i>KIT,736,SEAL,CO/N/V LC</i>	<i>1</i>
	<i>GS2600141</i>	<i>KIT,736,SEAL,FR/C/V LC</i>	<i>1</i>
	<i>GS2600132</i>	<i>KIT,736,SEAL,C/C/V LC</i>	<i>1</i>



**Exploded View**

*Optional Items Shown in ITALICS*

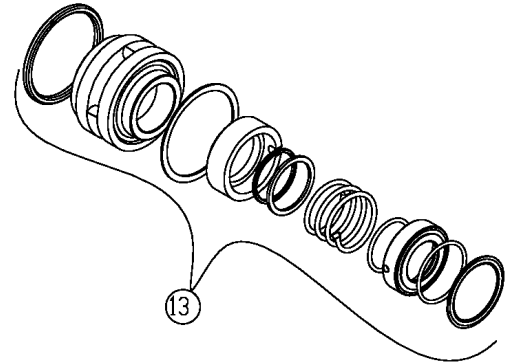
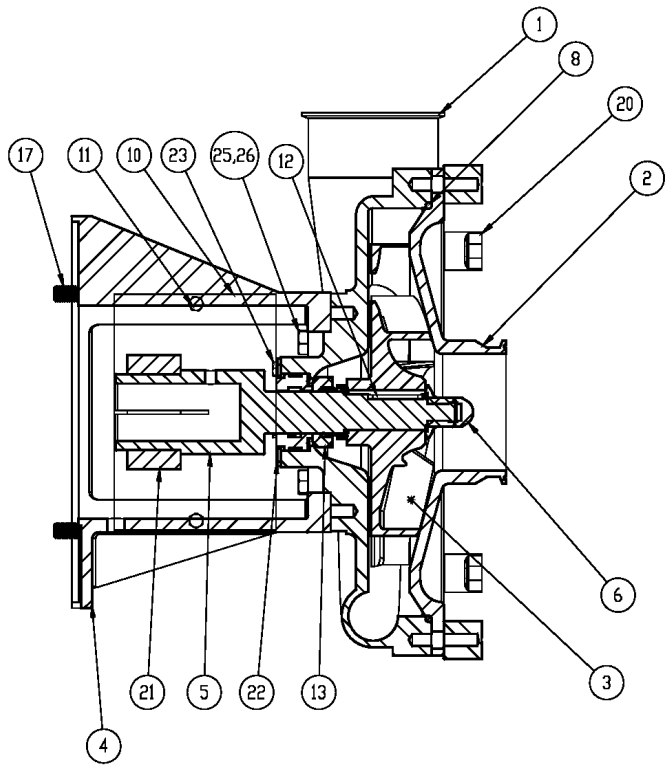
Ref #	Component Item No.	Description	Qty Per
1	SV73610000	CASING,X51/151/161,4 CLAMP LC LD	1
2	SC71620106	COVER,X051,4 CLAMP L SERIES	1
3	SI71630062	IMPELLER,X051,280/30,280MAX, EXT'D HUB LC/LD/LF	1
4	SX10600089	ADAPTER,280TC/TSC FRAME LC/LD	1
5	SX00000087	STUBSHAFT,280TC,1-7/8 W/KEY LCX	1
6	SI54000001	NUT,736,IMP LCX	1
8	GX80000021	GASKET,X050/150/160,CVR,N-70 LC BUNA	1
	<i>GX80000152</i>	<i>GASKET,X050/150/160,CVR,EPDM LC</i>	<i>1</i>
	<i>GX80000026</i>	<i>GASKET,X050/150/160,CVR,VIT LC</i>	<i>1</i>
10	SX10628089	GUARD,SHAFT,DBL FLNGE ADPTRS LC	2
11	GX48104020	CAPSCRW,HX,1/4-28X3/8,18-8SS HX HD	4
12	SX15000020	KEY,250TC-320TC LCX	1
13	GS2600009-SC	KIT,736,SEAL,C/N/V LC	1
	<i>GS2600009-SC/TC</i>	<i>KIT,736,SEAL,C/N/V,TAPR CARBN LC</i>	<i>1</i>
	<i>GS2600009-CO</i>	<i>KIT,736,SEAL,CO/N/V LC</i>	<i>1</i>
	<i>GS2600141</i>	<i>KIT,736,SEAL,FR/C/V LC</i>	<i>1</i>
	<i>GS2600132</i>	<i>KIT,736,SEAL,C/C/V LC</i>	<i>1</i>
17	SC1710H-SS	CAPSCRW,HX,1/2-13X1,18-8SS HX HD	4
20	SX03000020	NUT,WING LC SERIES	8
21	SX18000027	COLLAR,280TC/320TSC,SHAFT LC	1
22	SX48000023	RING,RETAINING,736 SEAL	1
23	GX48104020	CAPSCRW,HX,1/4-28X3/8,18-8SS HX HD	4
25	GX10610400	CAPSCRW,HX,M12-1.75X30MM,18-8S HX HD	4
26	GX10610405	WASHER,LCK,1/2,18-8SS L SERIES	4



**Exploded View - Seal Only**

*Optional Items Shown in ITALICS*

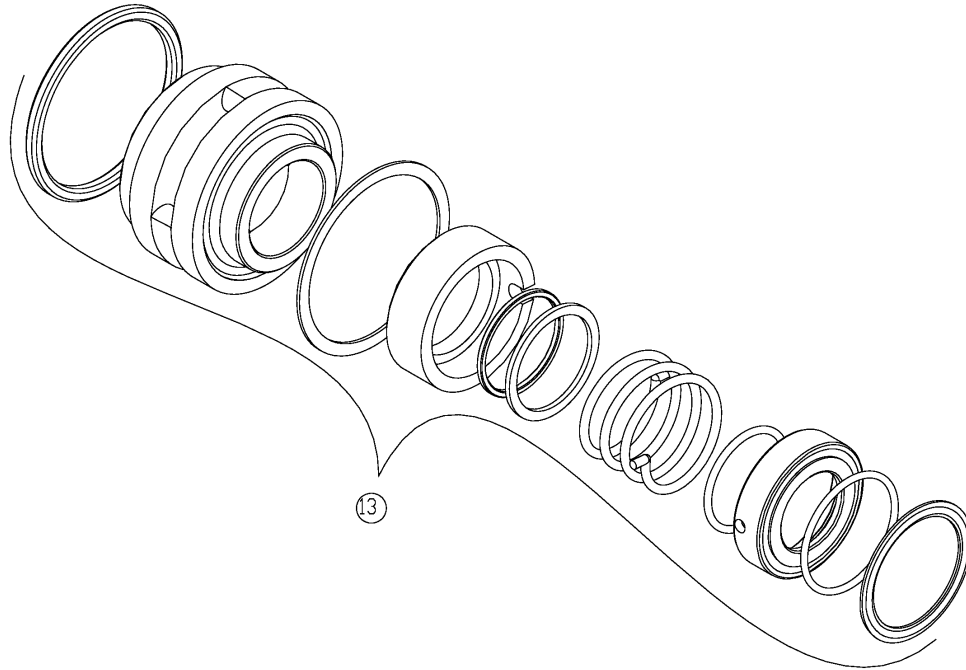
Ref #	Component Item No.	Description	Qty Per
13	<b>GS2600009-SC</b>	<b>KIT,736,SEAL,C/N/V LC</b>	<b>1</b>
	<i>GS2600009-SC/TC</i>	<i>KIT,736,SEAL,C/N/V,TAPR CARBN LC</i>	<i>1</i>
	<i>GS2600009-CO</i>	<i>KIT,736,SEAL,CO/N/V LC</i>	<i>1</i>
	<i>GS2600141</i>	<i>KIT,736,SEAL,FR/C/V LC</i>	<i>1</i>
	<i>GS2600132</i>	<i>KIT,736,SEAL,C/C/V LC</i>	<i>1</i>



**Exploded View**

*Optional Items Shown in ITALICS*

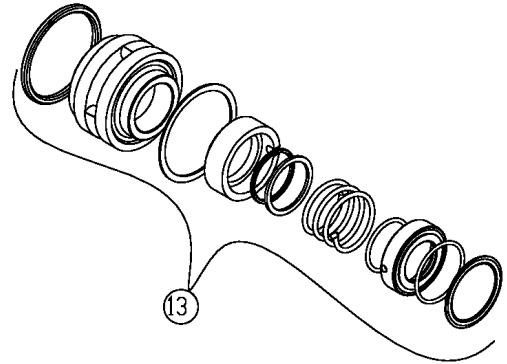
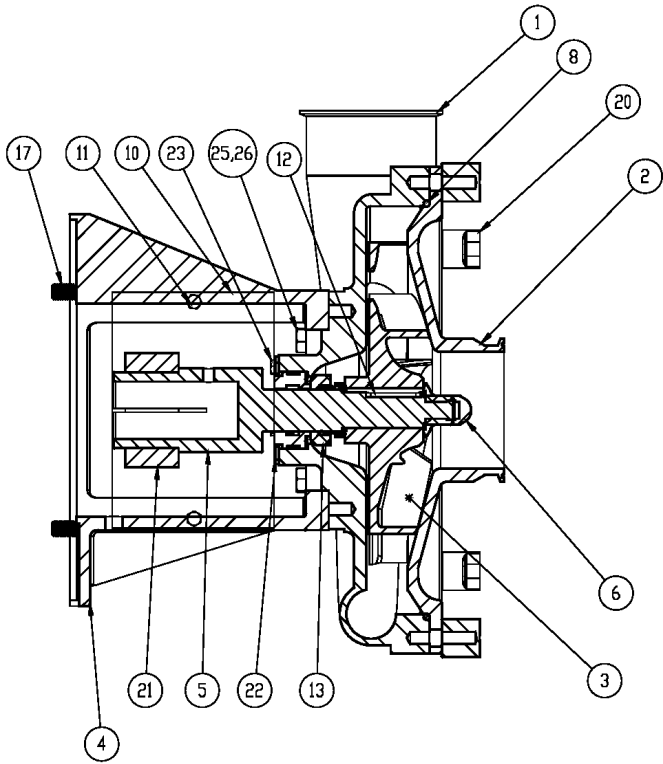
Ref #	Component Item No.	Description	Qty Per
1	SV73610000	CASING,X51/151/161,4 CLAMP LC LD	1
2	SC73620078	COVER,X151,X161,4 CLAMP L SERIES	1
3	SI73630056	IMPELLER,X151,280/30,280MAX EXT'D HUB LC/LD/LF	1
4	SX10600120	ADAPTER,210-250TC FRAME LCX/LD	1
5	SX00000085	STUBSHAFT,210TC,1-3/8 W/KEY LCX	1
6	SI54000001	NUT,736,IMP LCX	1
8	GX80000021	GASKET,X050/150/160,CVR,N-70 LC BUNA	1
	<i>GX80000152</i>	<i>GASKET,X050/150/160,CVR,EPDM LC</i>	1
	<i>GX80000026</i>	<i>GASKET,X050/150/160,CVR,VIT LC</i>	1
10	SX10628089	GUARD,SHAFT,DBL FLNGE ADPTRS LC	2
11	GX48104020	CAPSCRW,HX,1/4-28X3/8,18-8SS HX HD	4
12	SX15000020	KEY,250TC-320TC LCX	1
13	GS2600009-SC	KIT,736,SEAL,C/N/V LC	1
	<i>GS2600009-SC/TC</i>	<i>KIT,736,SEAL,C/N/V,TAPR CARBN LC</i>	1
	<i>GS2600009-CO</i>	<i>KIT,736,SEAL,CO/N/V LC</i>	1
	<i>GS2600141</i>	<i>KIT,736,SEAL,FR/C/V LC</i>	1
	<i>GS2600132</i>	<i>KIT,736,SEAL,C/C/V LC</i>	1
17	SC1710H-SS	CAPSCRW,HX,1/2-13X1,18-8SS HX HD	4
20	SX03000020	NUT,WING LC SERIES	8
21	SX18000015	COLLAR,210TC,SHAFT LC	1
22	SX48000023	RING,RETAINING,736 SEAL	1
23	GX48104020	CAPSCRW,HX,1/4-28X3/8,18-8SS HX HD	4
25	GX10610400	CAPSCRW,HX,M12-1.75X30MM,18-8S HX HD	4
26	GX10610405	WASHER,LCK,1/2,18-8SS L SERIES	4



**Exploded View - Seal Only**

*Optional Items Shown in ITALICS*

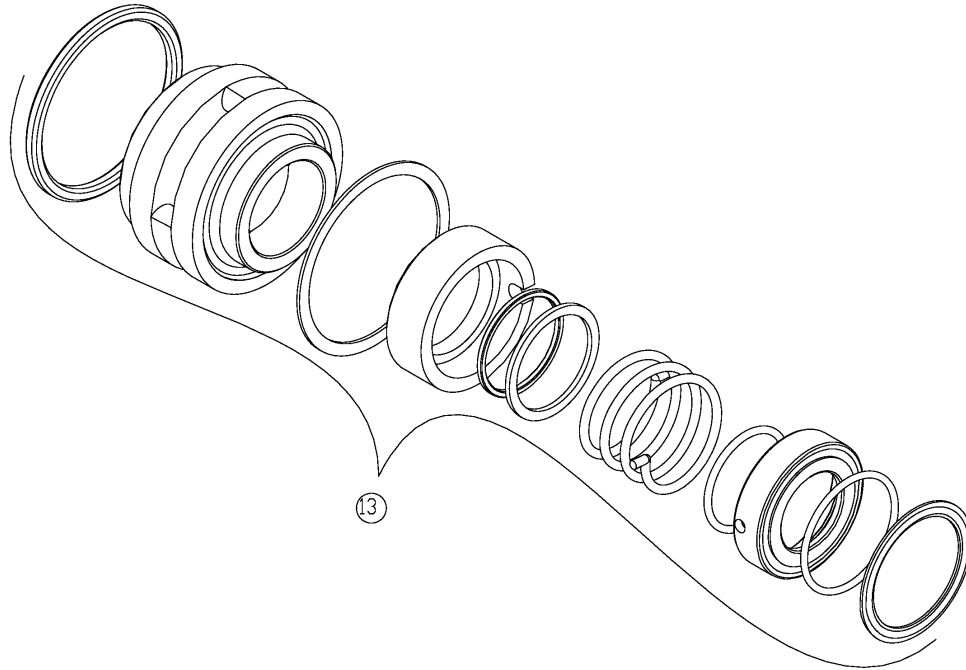
Ref #	Component Item No.	Description	Qty Per
13	<b>GS2600009-SC</b>	<b>KIT,736,SEAL,C/N/V LC</b>	<b>1</b>
	<i>GS2600009-SC/TC</i>	<i>KIT,736,SEAL,C/N/V,TAPR CARBN LC</i>	<i>1</i>
	<i>GS2600009-CO</i>	<i>KIT,736,SEAL,CO/N/V LC</i>	<i>1</i>
	<i>GS2600141</i>	<i>KIT,736,SEAL,FR/C/V LC</i>	<i>1</i>
	<i>GS2600132</i>	<i>KIT,736,SEAL,C/C/V LC</i>	<i>1</i>



**Exploded View**

*Optional Items Shown in ITALICS*

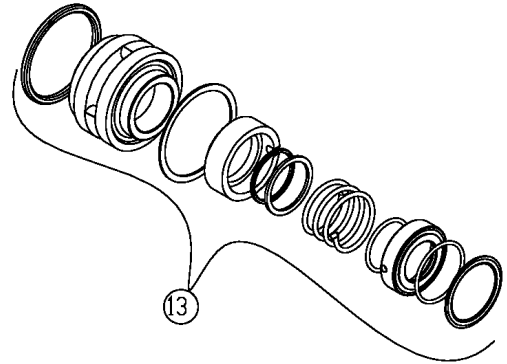
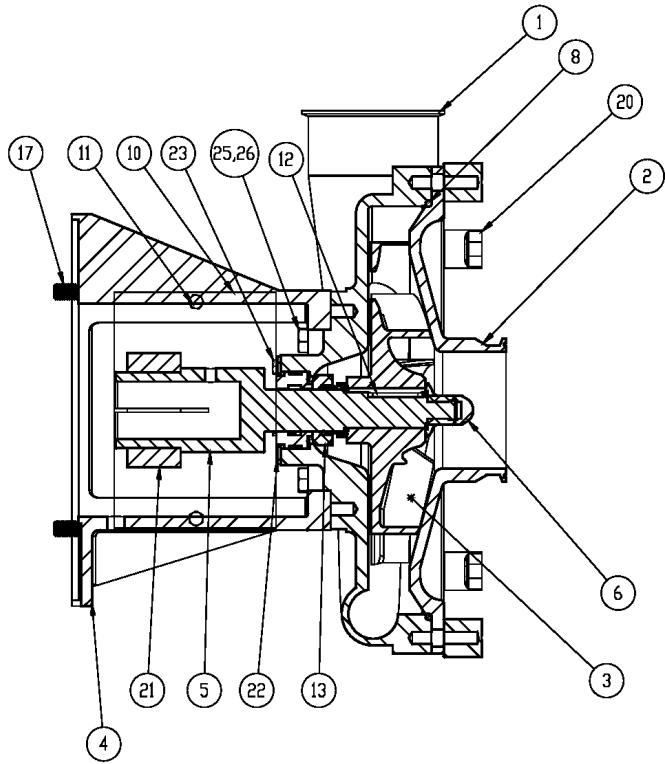
Ref #	Component Item No.	Description	Qty Per
1	SV73610000	CASING,X51/151/161,4 CLAMP LC LD	1
2	SC73620078	COVER,X151,X161,4 CLAMP L SERIES	1
3	SI73630056	IMPELLER,X151,280/30,280MAX EXT'D HUB LC/LD/LF	1
4	SX10600120	ADAPTER,210-250TC FRAME LCX/LD	1
5	SX00000086	STUBSHAFT,250TC,1-5/8 W/KEY LCX	1
6	SI54000001	NUT,736,IMP LCX	1
8	GX80000021	GASKET,X050/150/160,CVR,N-70 LC BUNA	1
	<i>GX80000152</i>	<i>GASKET,X050/150/160,CVR,EPDM LC</i>	<i>1</i>
	<i>GX80000026</i>	<i>GASKET,X050/150/160,CVR,VIT LC</i>	<i>1</i>
10	SX10628089	GUARD,SHAFT,DBL FLNGE ADPTRS LC	2
11	GX48104020	CAPSCRW,HX,1/4-28X3/8,18-8SS HX HD	4
12	SX15000020	KEY,250TC-320TC LCX	1
13	GS2600009-SC	KIT,736,SEAL,C/N/V LC	1
	<i>GS2600009-SC/TC</i>	<i>KIT,736,SEAL,C/N/V,TAPR CARBN LC</i>	<i>1</i>
	<i>GS2600009-CO</i>	<i>KIT,736,SEAL,CO/N/V LC</i>	<i>1</i>
	<i>GS2600141</i>	<i>KIT,736,SEAL,FR/C/V LC</i>	<i>1</i>
	<i>GS2600132</i>	<i>KIT,736,SEAL,C/C/V LC</i>	<i>1</i>
17	SC1710H-SS	CAPSCRW,HX,1/2-13X1,18-8SS HX HD	4
20	SX03000020	NUT,WING LC SERIES	8
21	SX18000035	COLLAR,250TC/280TSC,SHAFT LC	1
22	SX48000023	RING,RETAINING,736 SEAL	1
23	GX48104020	CAPSCRW,HX,1/4-28X3/8,18-8SS HX HD	4
25	GX10610400	CAPSCRW,HX,M12-1.75X30MM,18-8S HX HD	4
26	GX10610405	WASHER,LCK,1/2,18-8SS L SERIES	4



**Exploded View - Seal Only**

*Optional Items Shown in ITALICS*

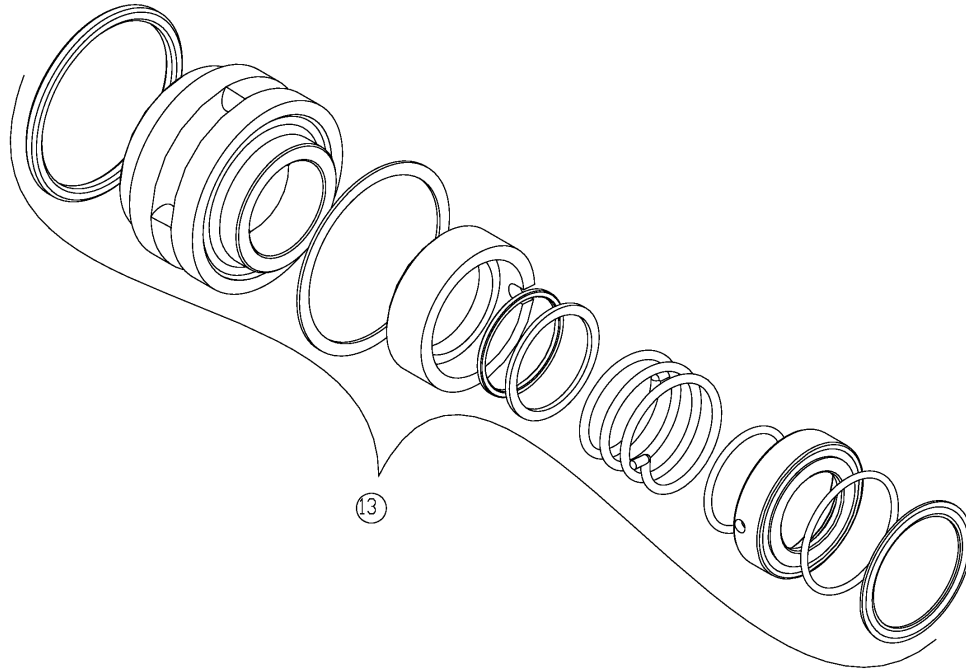
Ref #	Component Item No.	Description	Qty Per
13	<b>GS2600009-SC</b>	<b>KIT,736,SEAL,C/N/V LC</b>	<b>1</b>
	<i>GS2600009-SC/TC</i>	<i>KIT,736,SEAL,C/N/V,TAPR CARBN LC</i>	<i>1</i>
	<i>GS2600009-CO</i>	<i>KIT,736,SEAL,CO/N/V LC</i>	<i>1</i>
	<i>GS2600141</i>	<i>KIT,736,SEAL,FR/C/V LC</i>	<i>1</i>
	<i>GS2600132</i>	<i>KIT,736,SEAL,C/C/V LC</i>	<i>1</i>



**Exploded View**

*Optional Items Shown in ITALICS*

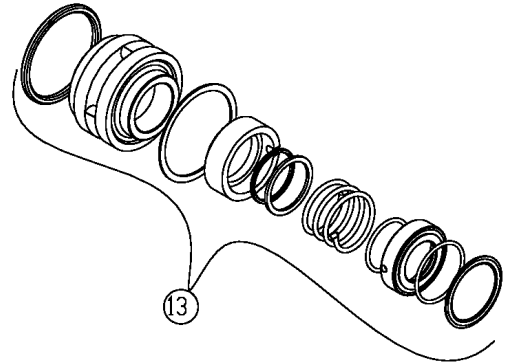
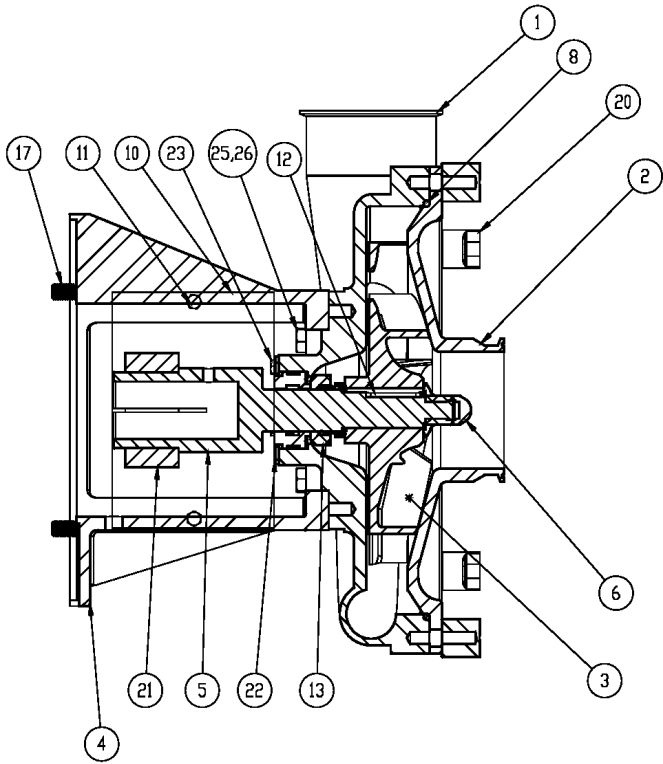
Ref #	Component Item No.	Description	Qty Per
1	SV73610000	CASING,X51/151/161,4 CLAMP LC LD	1
2	SC73620078	COVER,X151,X161,4 CLAMP L SERIES	1
3	SI73630056	IMPELLER,X151,280/30,280MAX EXT'D HUB LC/LD/LF	1
4	SX10600089	ADAPTER,280TC/TSC FRAME LC/LD	1
5	SX00000087	STUBSHAFT,280TC,1-7/8 W/KEY LCX	1
6	SI54000001	NUT,736,IMP LCX	1
8	GX80000021	GASKET,X050/150/160,CVR,N-70 LC BUNA	1
	<i>GX80000152</i>	<i>GASKET,X050/150/160,CVR,EPDM LC</i>	1
	<i>GX80000026</i>	<i>GASKET,X050/150/160,CVR,VIT LC</i>	1
10	SX10628089	GUARD,SHAFT,DBL FLNGE ADPTRS LC	2
11	GX48104020	CAPSCRW,HX,1/4-28X3/8,18-8SS HX HD	4
12	SX15000020	KEY,250TC-320TC LCX	1
13	GS2600009-SC	KIT,736,SEAL,C/N/V LC	1
	<i>GS2600009-SC/TC</i>	<i>KIT,736,SEAL,C/N/V,TAPR CARBN LC</i>	1
	<i>GS2600009-CO</i>	<i>KIT,736,SEAL,CO/N/V LC</i>	1
	<i>GS2600141</i>	<i>KIT,736,SEAL,FR/C/V LC</i>	1
	<i>GS2600132</i>	<i>KIT,736,SEAL,C/C/V LC</i>	1
17	SC1710H-SS	CAPSCRW,HX,1/2-13X1,18-8SS HX HD	4
20	SX03000020	NUT,WING LC SERIES	8
21	SX18000027	COLLAR,280TC/320TSC,SHAFT LC	1
22	SX48000023	RING,RETAINING,736 SEAL	1
23	GX48104020	CAPSCRW,HX,1/4-28X3/8,18-8SS HX HD	4
25	GX10610400	CAPSCRW,HX,M12-1.75X30MM,18-8S HX HD	4
26	GX10610405	WASHER,LCK,1/2,18-8SS L SERIES	4



**Exploded View - Seal Only**

*Optional Items Shown in ITALICS*

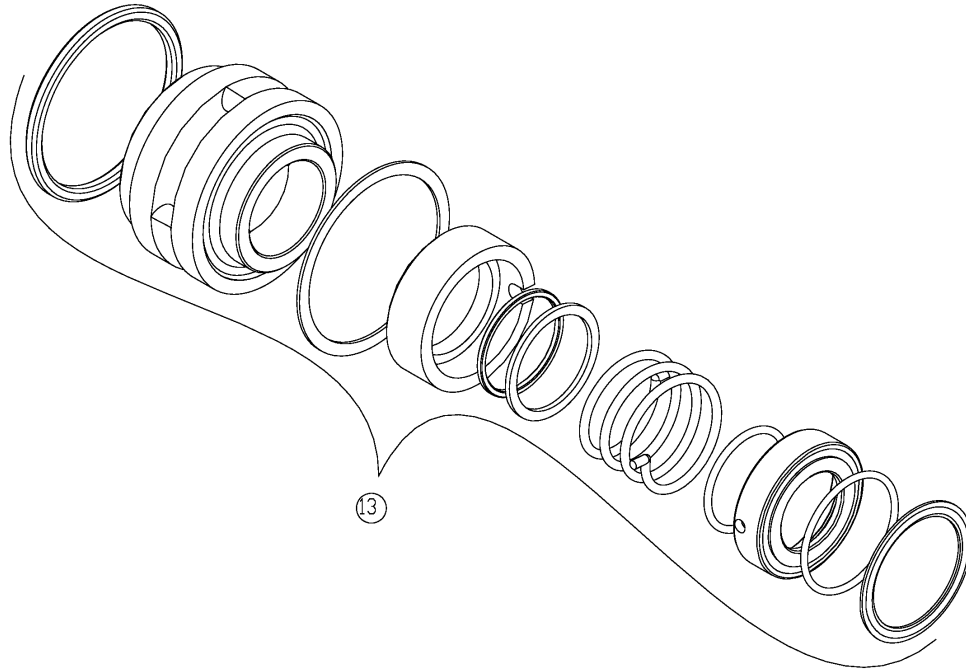
Ref #	Component Item No.	Description	Qty Per
13	<b>GS2600009-SC</b>	<b>KIT,736,SEAL,C/N/V LC</b>	<b>1</b>
	<i>GS2600009-SC/TC</i>	<i>KIT,736,SEAL,C/N/V,TAPR CARBN LC</i>	<i>1</i>
	<i>GS2600009-CO</i>	<i>KIT,736,SEAL,CO/N/V LC</i>	<i>1</i>
	<i>GS2600141</i>	<i>KIT,736,SEAL,FR/C/V LC</i>	<i>1</i>
	<i>GS2600132</i>	<i>KIT,736,SEAL,C/C/V LC</i>	<i>1</i>



**Exploded View**

*Optional Items Shown in ITALICS*

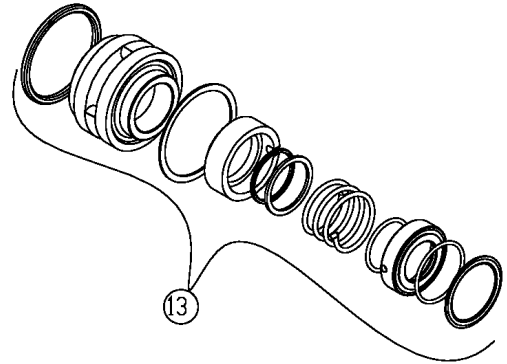
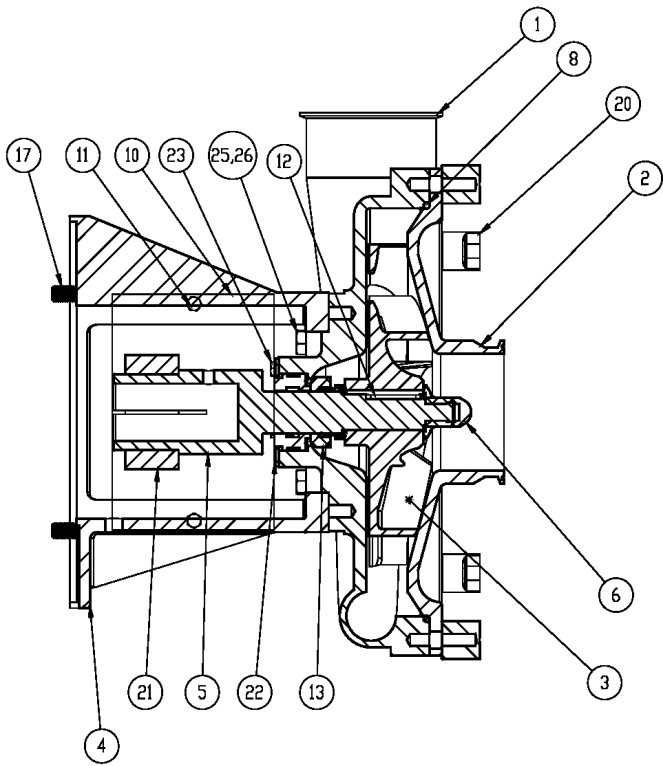
Ref #	Component Item No.	Description	Qty Per
1	SV73610000	CASING,X51/151/161,4 CLAMP LC LD	1
2	SC73620078	COVER,X151,X161,4 CLAMP L SERIES	1
3	SI73630056	IMPELLER,X151,280/30,280MAX EXT'D HUB LC/LD/LF	1
4	SX10600100	ADAPTER,320TC/TSC FRAME LC/LD/LF	1
5	SX00000088	STUBSHAFT,320TC,2-1/8 W/KEY LCX	1
6	SI54000001	NUT,736,IMP LCX	1
8	GX80000021	GASKET,X050/150/160,CVR,N-70 LC BUNA	1
	<i>GX80000152</i>	<i>GASKET,X050/150/160,CVR,EPDM LC</i>	<i>1</i>
	<i>GX80000026</i>	<i>GASKET,X050/150/160,CVR,VIT LC</i>	<i>1</i>
10	SX10628089	GUARD,SHAFT,DBL FLNGE ADPTRS LC	2
11	GX48104020	CAPSCRW,HX,1/4-28X3/8,18-8SS HX HD	4
12	SX15000020	KEY,250TC-320TC LCX	1
13	GS2600009-SC	KIT,736,SEAL,C/N/V LC	1
	<i>GS2600009-SC/TC</i>	<i>KIT,736,SEAL,C/N/V,TAPR CARBN LC</i>	<i>1</i>
	<i>GS2600009-CO</i>	<i>KIT,736,SEAL,CO/N/V LC</i>	<i>1</i>
	<i>GS2600141</i>	<i>KIT,736,SEAL,FR/C/V LC</i>	<i>1</i>
	<i>GS2600132</i>	<i>KIT,736,SEAL,C/C/V LC</i>	<i>1</i>
17	GX5076700	CAPSCRW,HX,5/8-11X1-1/2,18-8SS HX HD	4
20	SX03000020	NUT,WING LC SERIES	8
21	SX18000028	COLLAR,320TC,SHAFT LCX	1
22	SX48000023	RING,RETAINING,736 SEAL	1
23	GX48104020	CAPSCRW,HX,1/4-28X3/8,18-8SS HX HD	4
25	GX10610400	CAPSCRW,HX,M12-1.75X30MM,18-8S HX HD	4
26	GX10610405	WASHER,LCK,1/2,18-8SS L SERIES	4



**Exploded View - Seal Only**

*Optional Items Shown in ITALICS*

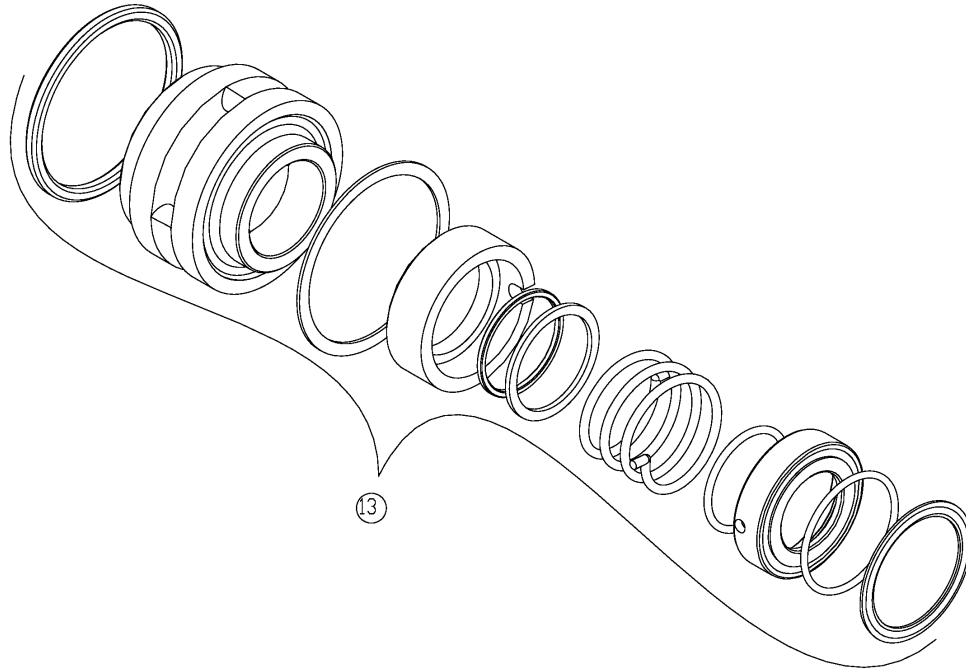
Ref #	Component Item No.	Description	Qty Per
13	<b>GS2600009-SC</b>	<b>KIT,736,SEAL,C/N/V LC</b>	<b>1</b>
	<i>GS2600009-SC/TC</i>	<i>KIT,736,SEAL,C/N/V,TAPR CARBN LC</i>	<i>1</i>
	<i>GS2600009-CO</i>	<i>KIT,736,SEAL,CO/N/V LC</i>	<i>1</i>
	<i>GS2600141</i>	<i>KIT,736,SEAL,FR/C/V LC</i>	<i>1</i>
	<i>GS2600132</i>	<i>KIT,736,SEAL,C/C/V LC</i>	<i>1</i>



**Exploded View**

*Optional Items Shown in ITALICS*

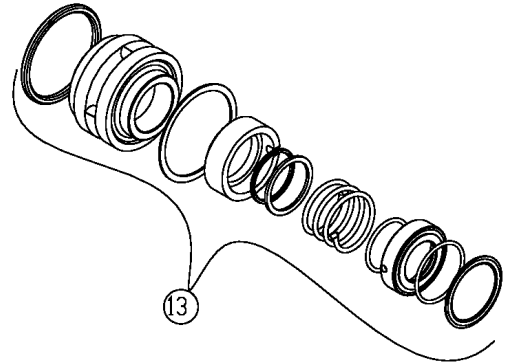
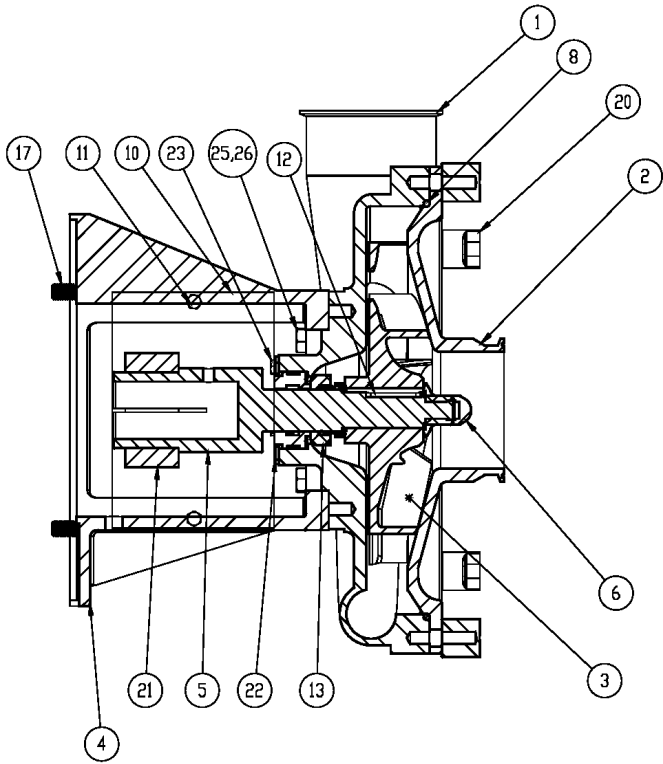
Ref #	Component Item No.	Description	Qty Per
1	SV73610000	CASING,X51/151/161,4 CLAMP LC LD	1
2	SC73620078	COVER,X151,X161,4 CLAMP L SERIES	1
3	SI73630132	IMPELLER,X161,320/30,320MAX EXT'D HUB LC/LD/LF	1
4	SX10600120	ADAPTER,210-250TC FRAME LCX/LD	1
5	SX00000086	STUBSHAFT,250TC,1-5/8 W/KEY LCX	1
6	SI54000001	NUT,736,IMP LCX	1
8	GX80000021	GASKET,X050/150/160,CVR,N-70 LC BUNA	1
	<i>GX80000152</i>	<i>GASKET,X050/150/160,CVR,EPDM LC</i>	<i>1</i>
	<i>GX80000026</i>	<i>GASKET,X050/150/160,CVR,VIT LC</i>	<i>1</i>
10	SX10628089	GUARD,SHAFT,DBL FLNGE ADPTRS LC	2
11	GX48104020	CAPSCRW,HX,1/4-28X3/8,18-8SS HX HD	4
12	SX15000020	KEY,250TC-320TC LCX	1
13	GS2600009-SC	KIT,736,SEAL,C/N/V LC	1
	<i>GS2600009-SC/TC</i>	<i>KIT,736,SEAL,C/N/V,TAPR CARBN LC</i>	<i>1</i>
	<i>GS2600009-CO</i>	<i>KIT,736,SEAL,CO/N/V LC</i>	<i>1</i>
	<i>GS2600141</i>	<i>KIT,736,SEAL,FR/C/V LC</i>	<i>1</i>
	<i>GS2600132</i>	<i>KIT,736,SEAL,C/C/V LC</i>	<i>1</i>
17	SC1710H-SS	CAPSCRW,HX,1/2-13X1,18-8SS HX HD	4
20	SX03000020	NUT,WING LC SERIES	8
21	SX18000035	COLLAR,250TC/280TSC,SHAFT LC	1
22	SX48000023	RING,RETAINING,736 SEAL	1
23	GX48104020	CAPSCRW,HX,1/4-28X3/8,18-8SS HX HD	4
25	GX10610400	CAPSCRW,HX,M12-1.75X30MM,18-8S HX HD	4
26	GX10610405	WASHER,LCK,1/2,18-8SS L SERIES	4



**Exploded View - Seal Only**

*Optional Items Shown in ITALICS*

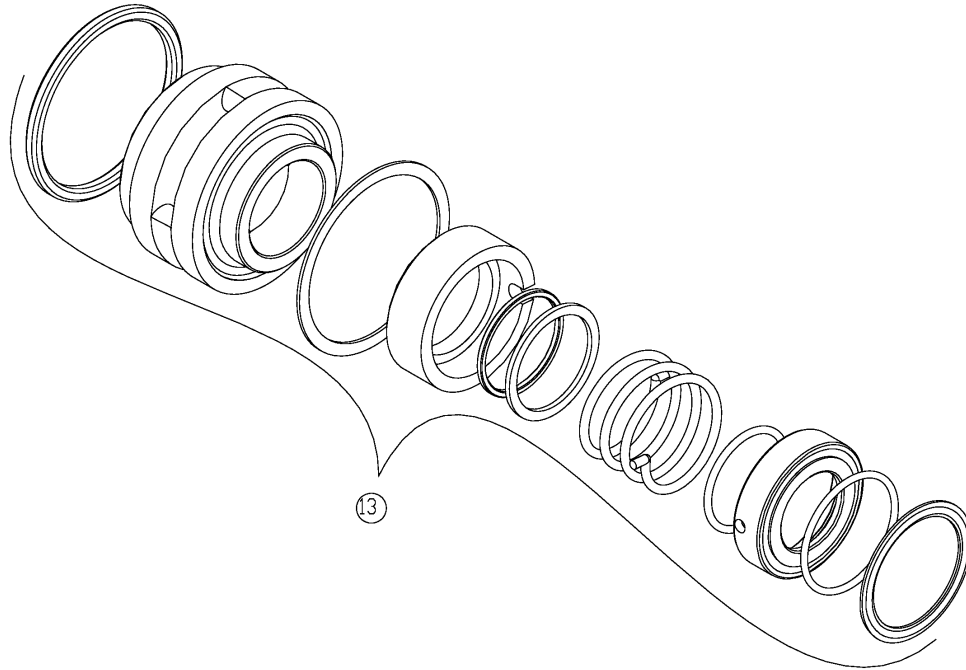
Ref #	Component Item No.	Description	Qty Per
13	<b>GS2600009-SC</b>	<b>KIT,736,SEAL,C/N/V LC</b>	<b>1</b>
	<i>GS2600009-SC/TC</i>	<i>KIT,736,SEAL,C/N/V,TAPR CARBN LC</i>	<i>1</i>
	<i>GS2600009-CO</i>	<i>KIT,736,SEAL,CO/N/V LC</i>	<i>1</i>
	<i>GS2600141</i>	<i>KIT,736,SEAL,FR/C/V LC</i>	<i>1</i>
	<i>GS2600132</i>	<i>KIT,736,SEAL,C/C/V LC</i>	<i>1</i>



**Exploded View**

*Optional Items Shown in ITALICS*

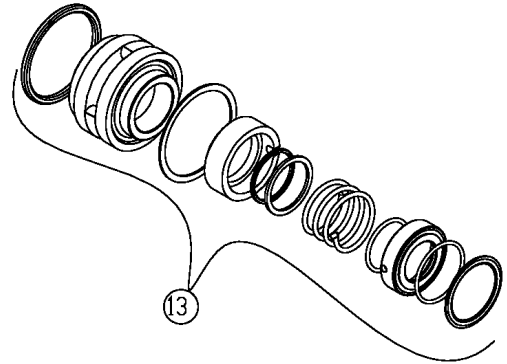
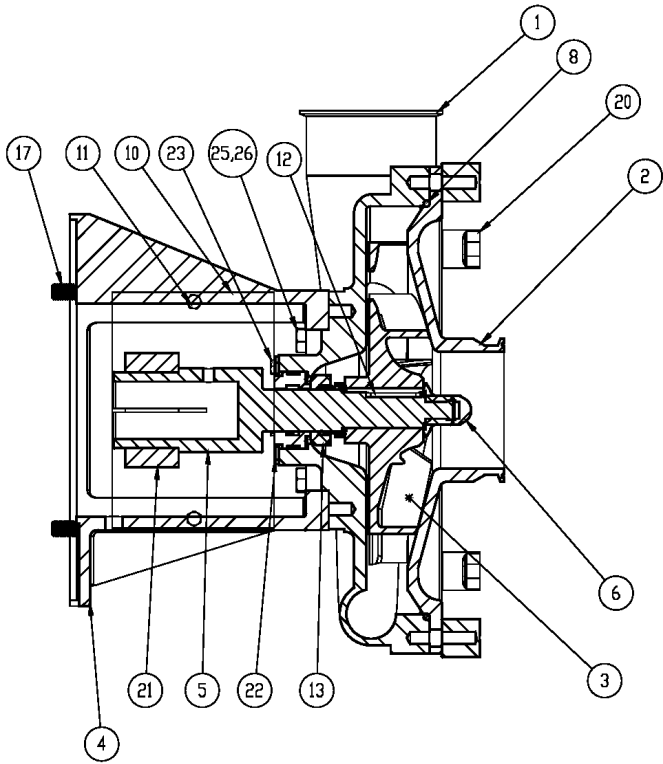
Ref #	Component Item No.	Description	Qty Per
1	SV73610000	CASING,X51/151/161,4 CLAMP LC LD	1
2	SC73620078	COVER,X151,X161,4 CLAMP L SERIES	1
3	SI73630132	IMPELLER,X161,320/30,320MAX EXT'D HUB LC/LD/LF	1
4	SX10600089	ADAPTER,280TC/TSC FRAME LC/LD	1
5	SX00000087	STUBSHAFT,280TC,1-7/8 W/KEY LCX	1
6	SI54000001	NUT,736,IMP LCX	1
8	GX80000021	GASKET,X050/150/160,CVR,N-70 LC BUNA	1
	<i>GX80000152</i>	<i>GASKET,X050/150/160,CVR,EPDM LC</i>	<i>1</i>
	<i>GX80000026</i>	<i>GASKET,X050/150/160,CVR,VIT LC</i>	<i>1</i>
10	SX10628089	GUARD,SHAFT,DBL FLNGE ADPTRS LC	2
11	GX48104020	CAPSCRW,HX,1/4-28X3/8,18-8SS HX HD	4
12	SX15000020	KEY,250TC-320TC LCX	1
13	GS2600009-SC	KIT,736,SEAL,C/N/V LC	1
	<i>GS2600009-SC/TC</i>	<i>KIT,736,SEAL,C/N/V,TAPR CARBN LC</i>	<i>1</i>
	<i>GS2600009-CO</i>	<i>KIT,736,SEAL,CO/N/V LC</i>	<i>1</i>
	<i>GS2600141</i>	<i>KIT,736,SEAL,FR/C/V LC</i>	<i>1</i>
	<i>GS2600132</i>	<i>KIT,736,SEAL,C/C/V LC</i>	<i>1</i>
17	SC1710H-SS	CAPSCRW,HX,1/2-13X1,18-8SS HX HD	4
20	SX03000020	NUT,WING LC SERIES	8
21	SX18000027	COLLAR,280TC/320TSC,SHAFT LC	1
22	SX48000023	RING,RETAINING,736 SEAL	1
23	GX48104020	CAPSCRW,HX,1/4-28X3/8,18-8SS HX HD	4
25	GX10610400	CAPSCRW,HX,M12-1.75X30MM,18-8S HX HD	4
26	GX10610405	WASHER,LCK,1/2,18-8SS L SERIES	4



**Exploded View - Seal Only**

*Optional Items Shown in ITALICS*

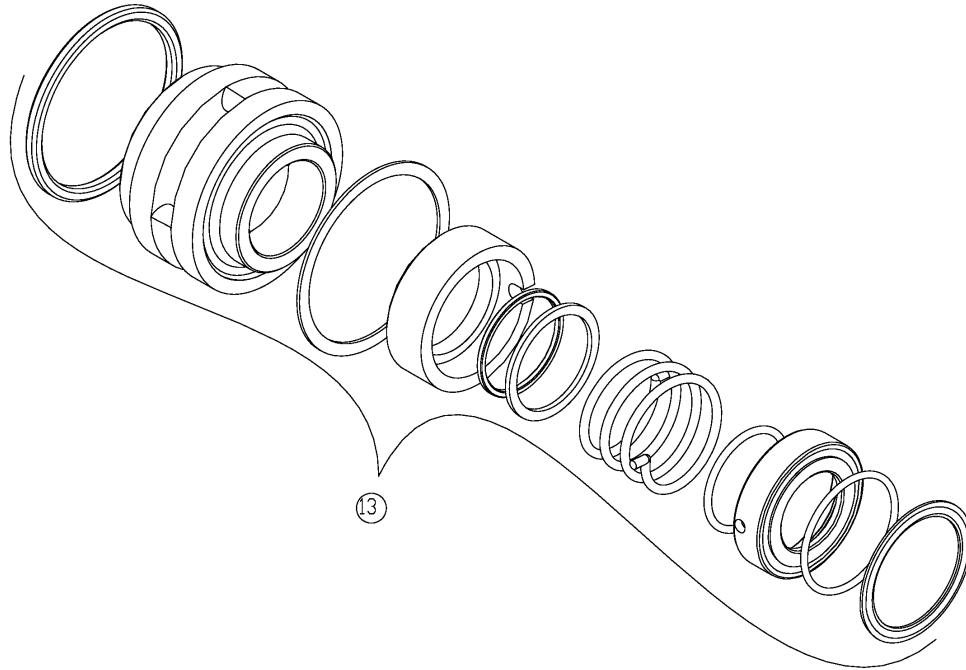
Ref #	Component Item No.	Description	Qty Per
13	<b>GS2600009-SC</b>	<b>KIT,736,SEAL,C/N/V LC</b>	<b>1</b>
	<i>GS2600009-SC/TC</i>	<i>KIT,736,SEAL,C/N/V,TAPR CARBN LC</i>	<i>1</i>
	<i>GS2600009-CO</i>	<i>KIT,736,SEAL,CO/N/V LC</i>	<i>1</i>
	<i>GS2600141</i>	<i>KIT,736,SEAL,FR/C/V LC</i>	<i>1</i>
	<i>GS2600132</i>	<i>KIT,736,SEAL,C/C/V LC</i>	<i>1</i>



**Exploded View**

*Optional Items Shown in ITALICS*

Ref #	Component Item No.	Description	Qty Per
1	SV73610000	CASING,X51/151/161,4 CLAMP LC LD	1
2	SC73620078	COVER,X151,X161,4 CLAMP L SERIES	1
3	SI73630132	IMPELLER,X161,320/30,320MAX EXT'D HUB LC/LD/LF	1
4	SX10600100	ADAPTER,320TC/TSC FRAME LC/LD/LF	1
5	SX00000088	STUBSHAFT,320TC,2-1/8 W/KEY LCX	1
6	SI54000001	NUT,736,IMP LCX	1
8	GX80000021	GASKET,X050/150/160,CVR,N-70 LC BUNA	1
	<i>GX80000152</i>	<i>GASKET,X050/150/160,CVR,EPDM LC</i>	<i>1</i>
	<i>GX80000026</i>	<i>GASKET,X050/150/160,CVR,VIT LC</i>	<i>1</i>
10	SX10628089	GUARD,SHAFT,DBL FLNGE ADPTRS LC	2
11	GX48104020	CAPSCRW,HX,1/4-28X3/8,18-8SS HX HD	4
12	SX15000020	KEY,250TC-320TC LCX	1
13	GS2600009-SC	KIT,736,SEAL,C/N/V LC	1
	<i>GS2600009-SC/TC</i>	<i>KIT,736,SEAL,C/N/V,TAPR CARBN LC</i>	<i>1</i>
	<i>GS2600009-CO</i>	<i>KIT,736,SEAL,CO/N/V LC</i>	<i>1</i>
	<i>GS2600141</i>	<i>KIT,736,SEAL,FR/C/V LC</i>	<i>1</i>
	<i>GS2600132</i>	<i>KIT,736,SEAL,C/C/V LC</i>	<i>1</i>
17	GX5076700	CAPSCRW,HX,5/8-11X1-1/2,18-8SS HX HD	4
20	SX03000020	NUT,WING LC SERIES	8
21	SX18000028	COLLAR,320TC,SHAFT LCX	1
22	SX48000023	RING,RETAINING,736 SEAL	1
23	GX48104020	CAPSCRW,HX,1/4-28X3/8,18-8SS HX HD	4
25	GX10610400	CAPSCRW,HX,M12-1.75X30MM,18-8S HX HD	4
26	GX10610405	WASHER,LCK,1/2,18-8SS L SERIES	4



**Exploded View - Seal Only**

*Optional Items Shown in ITALICS*

Ref #	Component Item No.	Description	Qty Per
13	<b>GS2600009-SC</b>	<b>KIT,736,SEAL,C/N/V LC</b>	<b>1</b>
	<i>GS2600009-SC/TC</i>	<i>KIT,736,SEAL,C/N/V,TAPR CARBN LC</i>	<i>1</i>
	<i>GS2600009-CO</i>	<i>KIT,736,SEAL,CO/N/V LC</i>	<i>1</i>
	<i>GS2600141</i>	<i>KIT,736,SEAL,FR/C/V LC</i>	<i>1</i>
	<i>GS2600132</i>	<i>KIT,736,SEAL,C/C/V LC</i>	<i>1</i>