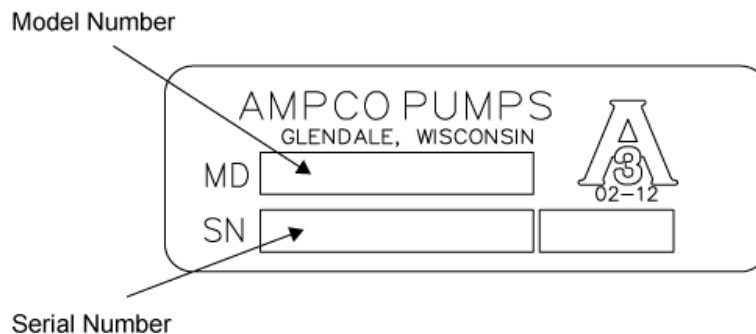


**ELECTRONIC PRICING CATALOG NAVIGATION INSTRUCTIONS****Select by Pump Model:**

If you know what pump you are looking for, you can use the 'Bookmarks' tab on the left and select the pump model which you are trying to access. Clicking in the Bookmark will take you to the page you are looking for.

If there are no tabs on the left (bookmarks, signatures, layers, pages), you can use the top menu to make them appear. Goto VIEW > SHOW/HIDE > NAVIGATION PANES > BOOKMARKS and they will appear.

**Sample Pump ID Tag:** See the illustration below for help identifying the location of the Model number and Serial number on the pump ID tag.



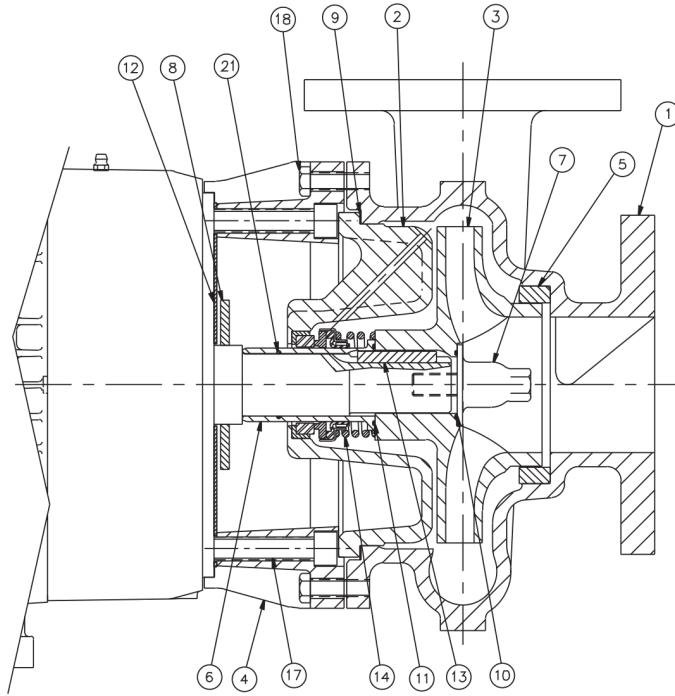
*Please reference your serial number when ordering replacement parts.*

**Select by Part Number:**

If you know an exact part number you are looking for, simply hit CONTROL+F and that will bring up the find feature. You may also use the menu, goto EDIT > FIND to bring up the same feature.

Type in your part number and it will show you all instances of that item in the catalog. If you only know some of the part number (i.e. SP328), that will also help and show all occurrences of those numbers together.

Be advised that partials of part number can return a large amount of results.



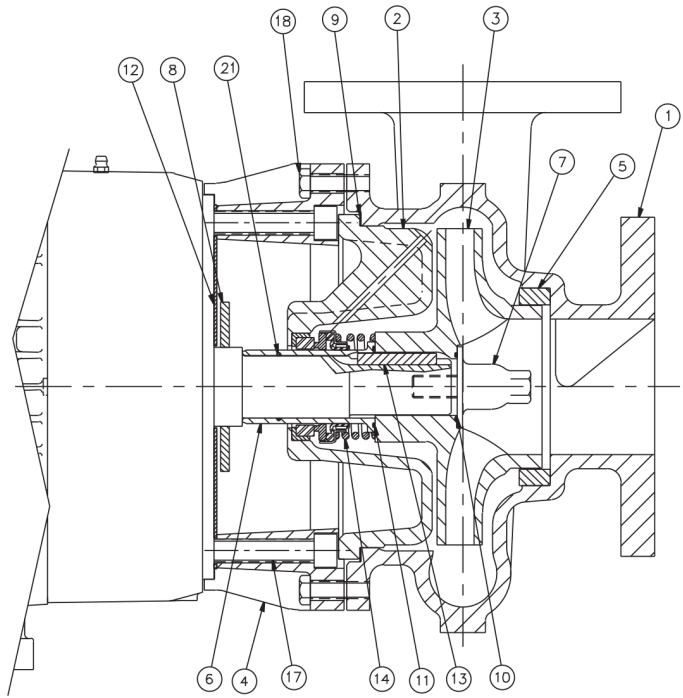
Ref #	Component
1	Casing
2	Cover
3	Impeller
4	Adapter
5	Wear Ring (Casing)
6	Shaft Sleeve
7	Impeller Screw
8	Slinger
9	Gasket, Casing
10	Gasket, Impeller Screw
11	O-Ring, Shaft Sleeve
12	Splashplate
13	Key, Impeller
14	Seal Kit
17	Capscrew (Motor/Adapter)
18	Capscrew (Casing/Adapter)
21*	O-Ring, Shaft Sleeve
22**	Wear Ring (Cover)

\* ZCH2 Only  
\*\* ZC2/ZCH2 4 x 3 Only

**Exploded View**

*Optional Items Shown in ITALICS*

Ref #	Component Item No.	Description	Qty Per
1	BV8400741	CASING,1-1/2X1-1/4,BZ ZC2	1
2	BC8301331	COVER,2-1/2X2,BZ ZC2	1
3	BI8200051	IMPELLER,1-1/2X1-1/4,BZ ZC2	1
4	GX8400951	ADAPTER,100 JM FRAME ZC2	1
	<i>SX8400952</i>	<i>ADAPTER,100 JM FRAME,SS ZC2</i>	1
5	BW8100122	RING,WEAR,1-1/2 SUCTION,BZ ZC 1-1/2X1-1/4	1
6	BX8103722	SLEEVE,SHFT,BZ ZC2	1
7	BI8101271	SCREW,IMP,BZ EC/ZC2	1
8	GX5042301	SLINGER,1-7/32X3-1/4X5/32 80 DUR (180JM-210JM)	1
	<i>GX5042300</i>	<i>SLINGER,1-1/8X3-1/4X5/32 80 DUR (140JM)</i>	1
9	GX5041000	GASKET,6-5/8X7-5/32X1/32 ,N-8090	1
10	GX5040500	GASKET,IMP SCRW,7/8X1-3/8X1/32	1
11	GX5098300	O-RING,T21,1-1/4,BUNA,SLV	1
	<i>GX5098301</i>	<i>O-RING,T21,1-1/4,EPDM,SLV (1-1/4 X 1-3/8 X 1/16)</i>	1
	<i>GX5098302</i>	<i>O-RING,43/252/325,VIT DC3</i>	1
12	GX5091600	SPLASHPLATE,EC2/KC2/RC2/ZC2,SS FR143-184	1
13	GX5051300	KEY,IMP, .187SQX1.5 EC KC RC ZC	1
14	GS8103410	KIT,1-1/4,T21,CE/CA/BU ZC2	1
	<i>GS8103410-316SS</i>	<i>KIT,1-1/4,T21,CE/CA/BU,316SS MET ZC2</i>	1
	<i>GS8105960</i>	<i>KIT,1-1/4,T21,CE/CA/VI ZC2</i>	1
	<i>GS8105960-316SS</i>	<i>KIT,1-1/4,T21,CE/CA/VI,316SS MET ZC2</i>	1
	<i>GS8106590</i>	<i>KIT,1-1/4,T21,NI/CA/BU ZC2</i>	1
	<i>GS8106590-316SS</i>	<i>KIT,1-1/4,T21,NI/CA/BU,316SS MET ZC2</i>	1
	<i>GS8106620</i>	<i>KIT,1-1/4,T21,CE/CA/EP ZC2</i>	1
	<i>GS8106620-316SS</i>	<i>KIT,1-1/4,T21,CE/CA/EP,316SS MET ZC2</i>	1
	<i>GS8106610</i>	<i>KIT,1-1/4,T21,TC/CA/VI ZC2 1512,215,252,325,43</i>	1
	<i>GS8107830</i>	<i>KIT,1-1/4,T21,SC/CA/VI ZC2</i>	1



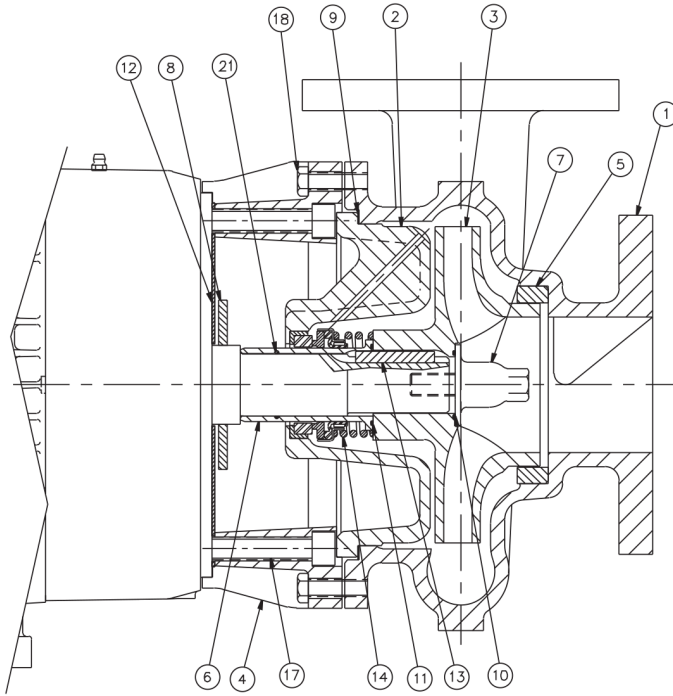
Ref #	Component
1	Casing
2	Cover
3	Impeller
4	Adapter
5	Wear Ring (Casing)
6	Shaft Sleeve
7	Impeller Screw
8	Slinger
9	Gasket, Casing
10	Gasket, Impeller Screw
11	O-Ring, Shaft Sleeve
12	Splashplate
13	Key, Impeller
14	Seal Kit
17	Capscrew (Motor/Adapter)
18	Capscrew (Casing/Adapter)
21*	O-Ring, Shaft Sleeve
22**	Wear Ring (Cover)

\* ZCH2 Only  
\*\* ZC2/ZCH2 4 x 3 Only

**Exploded View**

*Optional Items Shown in ITALICS*

Ref #	Component Item No.	Description	Qty Per
14	<i>GS8111170-316SS</i>	<i>KIT, 1-1/4, T21, TC/SC/BU, 316SS MET ZC2 1512, 215, 252, 325, 43</i>	1
17	<b>GX5077100</b>	<b>CAPSCRW, HX, 3/8-16X1, 18-8SS HX HD</b>	4
18	<b>GX5077100</b>	<b>CAPSCRW, HX, 3/8-16X1, 18-8SS HX HD</b>	8



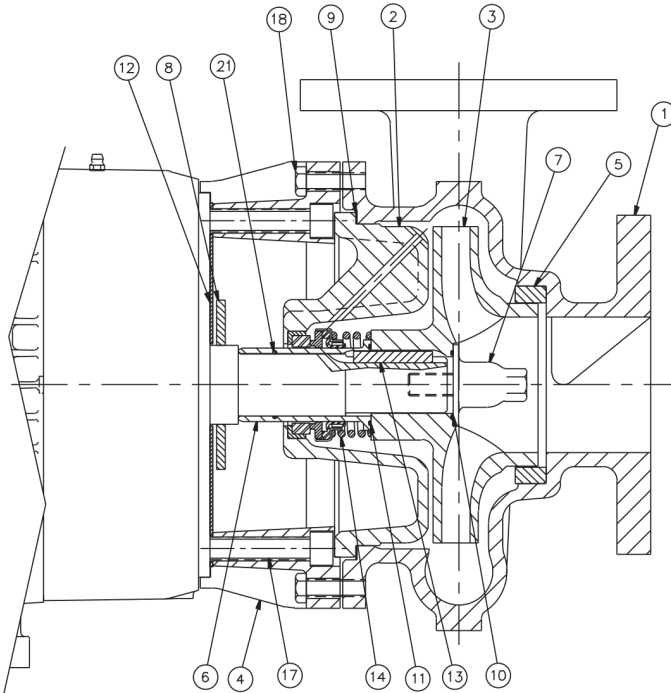
Ref #	Component
1	Casing
2	Cover
3	Impeller
4	Adapter
5	Wear Ring (Casing)
6	Shaft Sleeve
7	Impeller Screw
8	Slinger
9	Gasket, Casing
10	Gasket, Impeller Screw
11	O-Ring, Shaft Sleeve
12	Splashplate
13	Key, Impeller
14	Seal Kit
17	Capscrew (Motor/Adapter)
18	Capscrew (Casing/Adapter)
21*	O-Ring, Shaft Sleeve
22**	Wear Ring (Cover)

\* ZCH2 Only  
\*\* ZC2/ZCH2 4 x 3 Only

**Exploded View**

*Optional Items Shown in ITALICS*

Ref #	Component Item No.	Description	Qty Per
1	BV8400741	CASING,1-1/2X1-1/4,BZ ZC2	1
2	BC8301331	COVER,2-1/2X2,BZ ZC2	1
3	BI8200051	IMPELLER,1-1/2X1-1/4,BZ ZC2	1
4	GX8301391	ADAPTER,210 JM FRAME ZC2	1
	<i>SX8301392</i>	<i>ADAPTER,210 JM FRAME,SS ZC2</i>	<i>1</i>
5	BW8100122	RING,WEAR,1-1/2 SUCTION,BZ ZC 1-1/2X1-1/4	1
6	BX8103722	SLEEVE,SHFT,BZ ZC2	1
7	BI8101271	SCREW,IMP,BZ EC/ZC2	1
8	GX5042301	SLINGER,1-7/32X3-1/4X5/32 80 DUR (180JM-210JM)	1
9	GX5041000	GASKET,6-5/8X7-5/32X1/32 ,N-8090	1
10	GX5040500	GASKET,IMP SCRW,7/8X1-3/8X1/32	1
11	GX5098300	O-RING,T21,1-1/4,BUNA,SLV	1
	<i>GX5098301</i>	<i>O-RING,T21,1-1/4,EPDM,SLV (1-1/4 X 1-3/8 X 1/16)</i>	<i>1</i>
	<i>GX5098302</i>	<i>O-RING,43/252/325,VIT DC3</i>	<i>1</i>
12	GX5091400	SPLASHPLATE,EC2/KC2/RC2/ZC2,SS FR213-256	1
13	GX5051300	KEY,IMP,.187SQX1.5 EC KC RC ZC	1
14	GS8103410	KIT,1-1/4,T21,CE/CA/BU ZC2	1
	<i>GS8103410-316SS</i>	<i>KIT,1-1/4,T21,CE/CA/BU,316SS MET ZC2</i>	<i>1</i>
	<i>GS8105960</i>	<i>KIT,1-1/4,T21,CE/CA/VI ZC2</i>	<i>1</i>
	<i>GS8105960-316SS</i>	<i>KIT,1-1/4,T21,CE/CA/VI,316SS MET ZC2</i>	<i>1</i>
	<i>GS8106590</i>	<i>KIT,1-1/4,T21,NI/CA/BU ZC2</i>	<i>1</i>
	<i>GS8106590-316SS</i>	<i>KIT,1-1/4,T21,NI/CA/BU,316SS MET ZC2</i>	<i>1</i>
	<i>GS8106620</i>	<i>KIT,1-1/4,T21,CE/CA/EP ZC2</i>	<i>1</i>
	<i>GS8106620-316SS</i>	<i>KIT,1-1/4,T21,CE/CA/EP,316SS MET ZC2</i>	<i>1</i>
	<i>GS8106610</i>	<i>KIT,1-1/4,T21,TC/CA/VI ZC2 1512,215,252,325,43</i>	<i>1</i>
	<i>GS8107830</i>	<i>KIT,1-1/4,T21,SC/CA/VI ZC2</i>	<i>1</i>
	<i>GS8111170-316SS</i>	<i>KIT,1-1/4,T21,TC/SC/BU,316SS MET ZC2 1512,215,252,325,43</i>	<i>1</i>



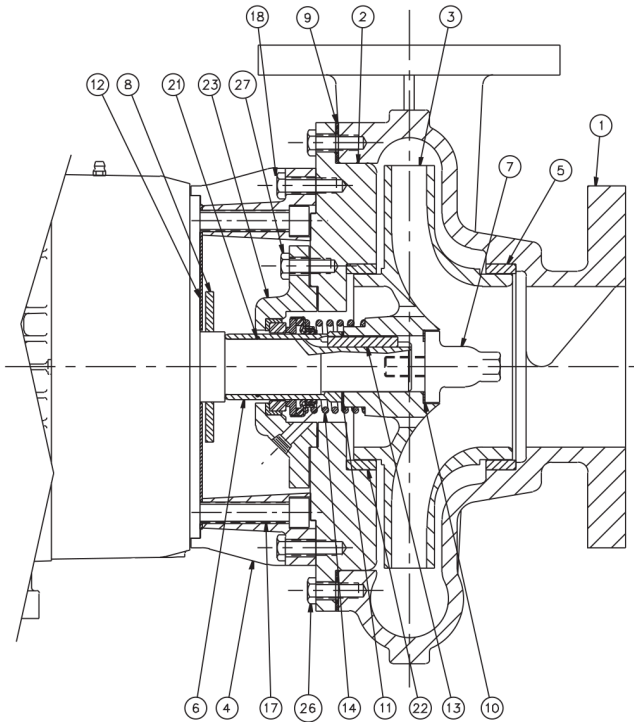
Ref #	Component
1	Casing
2	Cover
3	Impeller
4	Adapter
5	Wear Ring (Casing)
6	Shaft Sleeve
7	Impeller Screw
8	Slinger
9	Gasket, Casing
10	Gasket, Impeller Screw
11	O-Ring, Shaft Sleeve
12	Splashplate
13	Key, Impeller
14	Seal Kit
17	Capscrew (Motor/Adapter)
18	Capscrew (Casing/Adapter)
21*	O-Ring, Shaft Sleeve
22**	Wear Ring (Cover)

\* ZCH2 Only  
\*\* ZC2/ZCH2 4 x 3 Only

**Exploded View**

*Optional Items Shown in ITALICS*

Ref #	Component Item No.	Description	Qty Per
17	<b>GX5077400</b>	<b>CAPSCRW,SH,1/2-13X1-3/4,BLK OX SCKT HD</b>	<b>4</b>
18	<b>GX5077100</b>	<b>CAPSCRW,HX,3/8-16X1,18-8SS HX HD</b>	<b>4</b>
	<b>GX5077200</b>	<b>CAPSCRW,HX,3/8-16X1-1/4,18-8SS HX HD</b>	<b>4</b>



Ref #	Component
1	Casing
2	Cover
3	Impeller
4	Adapter
5	Wear Ring (Casing)
6	Shaft Sleeve
7	Impeller Screw
8	Slinger
9	Gasket, Casing
10	Gasket, Impeller Screw
11	O-Ring, Shaft Sleeve
12	Splashplate
13	Key, Impeller
14	Seal Kit
17	Capscrew (Motor/Adapter)
18	Capscrew (Cover/Adapter)
21*	O-Ring, Shaft Sleeve
22**	Wear Ring (Cover)
23	Stuffing Box
24	Gasket, Stuffing Box
26	Capscrew (Casing/Cover)
27	Capscrew (Cover/Stuffing Box)

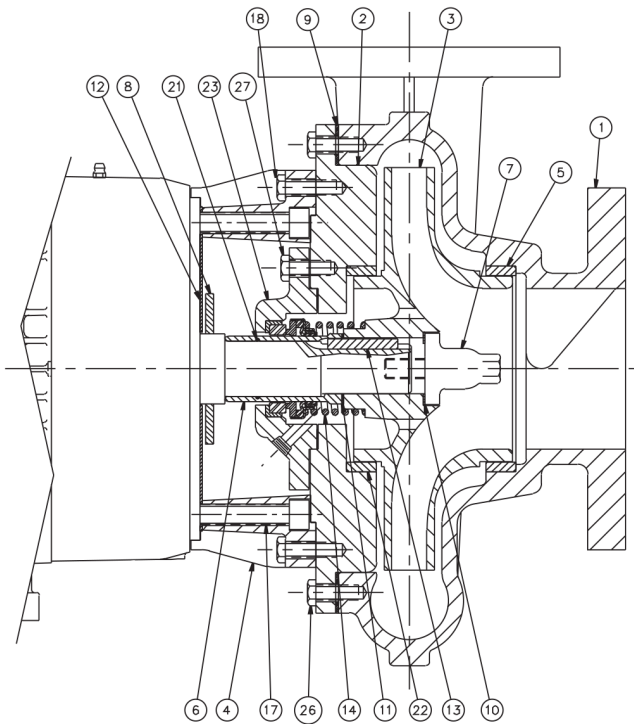
\* ZCH2 Only

\*\* Not Required for 1-1/2 x 1-1/2 Models

**Exploded View**

*Optional Items Shown in ITALICS*

Ref #	Component Item No.	Description	Qty Per
1	BV8402451	CASING,1-1/2X1-1/2,BZ ZC2	1
2	BC8402181	COVER,22/1515,JM,SGL SEAL,BZ ZC2 ZCH2	1
3	BI8303881	IMPELLER,1-1/2X1-1/2,BZ ZC2	1
4	GX8400951	ADAPTER,100 JM FRAME ZC2	1
	<i>SX8400952</i>	<i>ADAPTER,100 JM FRAME,SS ZC2</i>	<i>1</i>
5	BW8101561	RING,WEAR,1-1/2 SUCTION,BZ ZC ZCH 1-1/2X1-1/2	1
6	BX8107751	SLEEVE,SHFT,4X3L,BZ ZC2	1
7	BI8101271	SCREW,IMP,BZ EC/ZC2	1
8	GX5042301	SLINGER,1-7/32X3-1/4X5/32 80 DUR (180JM-210JM)	1
9	GX5041300	GASKET,9-1/4 X 10 X1/16,N-8090	1
10	GX5040500	GASKET,IMP SCRW,7/8X1-3/8X1/32	1
11	GX5040000	GASKET,7/8X1-1/2X1/32,N-8090	1
12	GX5091600	SPLASHPLATE,EC2/KC2/RC2/ZC2,SS FR143-184	1
13	GX5051300	KEY,IMP,,187SQX1.5 EC KC RC ZC	1
14	GS8108160	KIT,1-1/4,T21,CE/CA/BU ZC2	1
	<i>GS8108160-316SS</i>	<i>KIT,1-1/4,T21,CE/CA/BU,316SS MET ZC2</i>	<i>1</i>
	<i>GS8108170</i>	<i>KIT,1-1/4,T21,CE/CA/VI ZC2</i>	<i>1</i>
	<i>GS8108170-316SS</i>	<i>KIT,1-1/4,T21,CE/CA/VI,316SS MET ZC2</i>	<i>1</i>
17	GX5077100	CAPSCRW,HX,3/8-16X1,18-8SS HX HD	4
18	GX5077100	CAPSCRW,HX,3/8-16X1,18-8SS HX HD	8
23	BX8204301	STUFFING BOX,4X3L,BZ,JM,T21/T1 ZC2	1
24	GX5041900	GASKET,4X3X1/32,N-8090,STFBX STUFFING BOX	1
26	GX5077100	CAPSCRW,HX,3/8-16X1,18-8SS HX HD	8
27	GX5077100	CAPSCRW,HX,3/8-16X1,18-8SS HX HD	4



Ref #	Component
1	Casing
2	Cover
3	Impeller
4	Adapter
5	Wear Ring (Casing)
6	Shaft Sleeve
7	Impeller Screw
8	Slinger
9	Gasket, Casing
10	Gasket, Impeller Screw
11	O-Ring, Shaft Sleeve
12	Splashplate
13	Key, Impeller
14	Seal Kit
17	Capscrew (Motor/Adapter)
18	Capscrew (Cover/Adapter)
21*	O-Ring, Shaft Sleeve
22**	Wear Ring (Cover)
23	Stuffing Box
24	Gasket, Stuffing Box
26	Capscrew (Casing/Cover)
27	Capscrew (Cover/Stuffing Box)

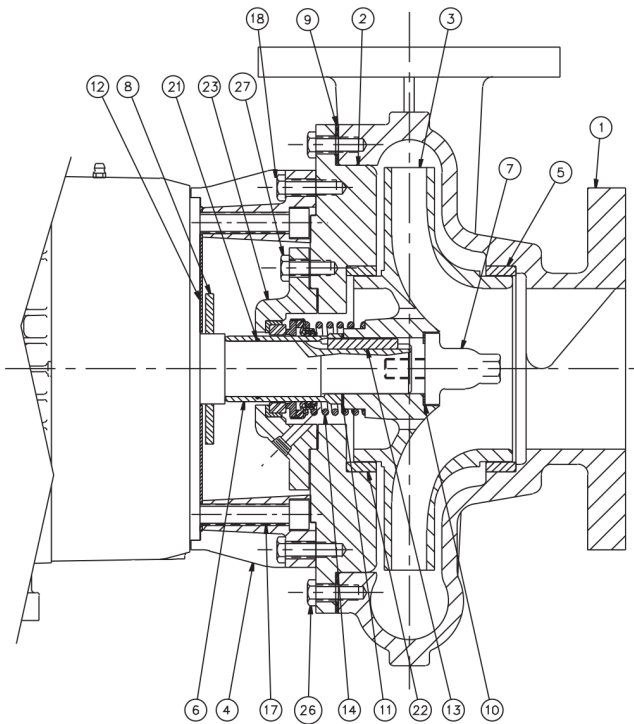
\* ZCH2 Only

\*\* Not Required for 1-1/2 x 1-1/2 Models

**Exploded View**

*Optional Items Shown in ITALICS*

Ref #	Component Item No.	Description	Qty Per
1	BV8402451	CASING,1-1/2X1-1/2,BZ ZC2	1
2	BC8402181	COVER,22/1515,JM,SGL SEAL,BZ ZC2 ZCH2	1
3	BI8303881	IMPELLER,1-1/2X1-1/2,BZ ZC2	1
4	GX8301391	ADAPTER,210 JM FRAME ZC2	1
	<i>SX8301392</i>	<i>ADAPTER,210 JM FRAME,SS ZC2</i>	<i>1</i>
5	BW8101561	RING,WEAR,1-1/2 SUCTION,BZ ZC ZCH 1-1/2X1-1/2	1
6	BX8107751	SLEEVE,SHFT,4X3L,BZ ZC2	1
7	BI8101271	SCREW,IMP,BZ EC/ZC2	1
8	GX5042301	SLINGER,1-7/32X3-1/4X5/32 80 DUR (180JM-210JM)	1
9	GX5041300	GASKET,9-1/4 X 10 X1/16,N-8090	1
10	GX5040500	GASKET,IMP SCRW,7/8X1-3/8X1/32	1
11	GX5040000	GASKET,7/8X1-1/2X1/32,N-8090	1
12	GX5091400	SPLASHPLATE,EC2/KC2/RC2/ZC2,SS FR213-256	1
13	GX5051300	KEY,IMP,,187SQX1.5 EC KC RC ZC	1
14	GS8108160	KIT,1-1/4,T21,CE/CA/BU ZC2	1
	<i>GS8108160-316SS</i>	<i>KIT,1-1/4,T21,CE/CA/BU,316SS MET ZC2</i>	<i>1</i>
	<i>GS8108170</i>	<i>KIT,1-1/4,T21,CE/CA/VI ZC2</i>	<i>1</i>
	<i>GS8108170-316SS</i>	<i>KIT,1-1/4,T21,CE/CA/VI,316SS MET ZC2</i>	<i>1</i>
17	GX5077400	CAPSCRW,SH,1/2-13X1-3/4,BLK OX SCKT HD	4
18	GX5077100	CAPSCRW,HX,3/8-16X1,18-8SS HX HD	4
	GX5077200	CAPSCRW,HX,3/8-16X1-1/4,18-8SS HX HD	4
21	GX5038500	O-RING,,989X1.29X.070,BUNA 70 DUR, IMP SCRW	1
	<i>GX5038502</i>	<i>O-RING,T21,1-1/4,EPDM (2-022)</i>	<i>1</i>
	<i>GX5038501</i>	<i>O-RING,43/252/325,VIT,FDA CMPL DC3 ZC2</i>	<i>1</i>
23	BX8204301	STUFFING BOX,4X3L,BZ,JM,T21/T1 ZC2	1
24	GX5041900	GASKET,4X3X1/32,N-8090,STFBX STUFFING BOX	1
26	GX5077100	CAPSCRW,HX,3/8-16X1,18-8SS HX HD	8



Ref #	Component
1	Casing
2	Cover
3	Impeller
4	Adapter
5	Wear Ring (Casing)
6	Shaft Sleeve
7	Impeller Screw
8	Slinger
9	Gasket, Casing
10	Gasket, Impeller Screw
11	O-Ring, Shaft Sleeve
12	Splashplate
13	Key, Impeller
14	Seal Kit
17	Capscrew (Motor/Adapter)
18	Capscrew (Cover/Adapter)
21*	O-Ring, Shaft Sleeve
22**	Wear Ring (Cover)
23	Stuffing Box
24	Gasket, Stuffing Box
26	Capscrew (Casing/Cover)
27	Capscrew (Cover/Stuffing Box)

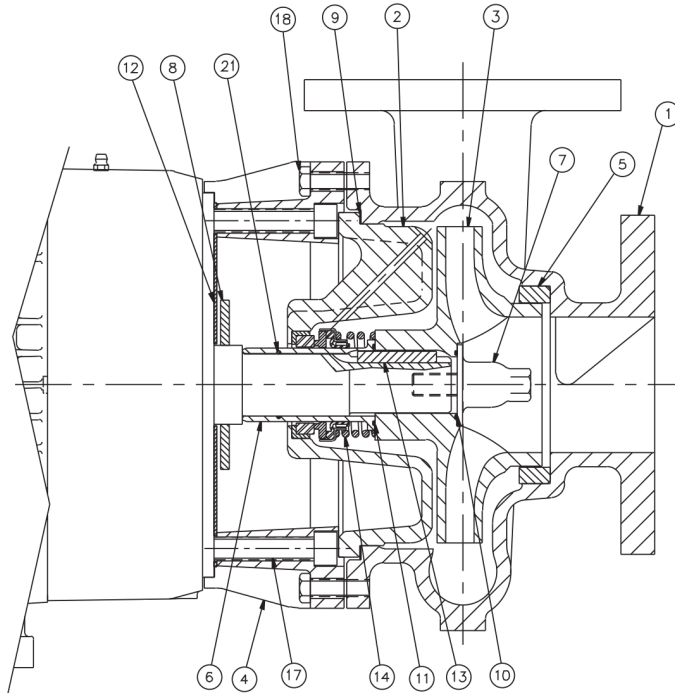
\* ZCH2 Only

\*\* Not Required for 1-1/2 x 1-1/2 Models

**Exploded View**

*Optional Items Shown in ITALICS*

Ref #	Component Item No.	Description	Qty Per
27	<i>GX5077100</i>	<i>CAPSCRW,HX,3/8-16X1,18-8SS HX HD</i>	<i>4</i>



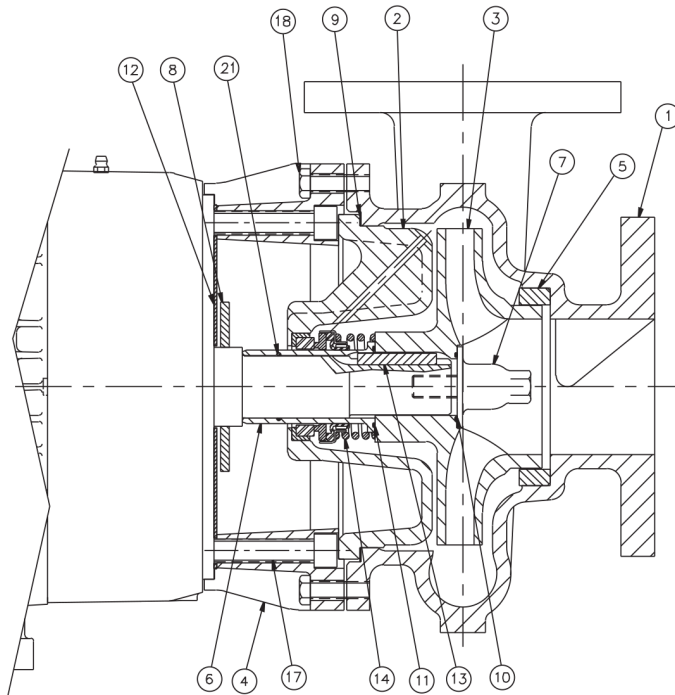
Ref #	Component
1	Casing
2	Cover
3	Impeller
4	Adapter
5	Wear Ring (Casing)
6	Shaft Sleeve
7	Impeller Screw
8	Slinger
9	Gasket, Casing
10	Gasket, Impeller Screw
11	O-Ring, Shaft Sleeve
12	Splashplate
13	Key, Impeller
14	Seal Kit
17	Capscrew (Motor/Adapter)
18	Capscrew (Casing/Adapter)
21*	O-Ring, Shaft Sleeve
22**	Wear Ring (Cover)

\* ZCH2 Only  
\*\* ZC2/ZCH2 4 x 3 Only

**Exploded View**

*Optional Items Shown in ITALICS*

Ref #	Component Item No.	Description	Qty Per
1	BV8400751	CASING,2X1-1/2,BZ ZC2	1
2	BC8301331	COVER,2-1/2X2,BZ ZC2	1
3	BI8200061	IMPELLER,2X1-1/2,BZ ZC2	1
4	GX8400951	ADAPTER,100 JM FRAME ZC2	1
	<i>SX8400952</i>	<i>ADAPTER,100 JM FRAME,SS ZC2</i>	1
5	BW8100112	RING,WEAR,2 SUCTION,BZ ZC2 ZCH2 2X2	1
6	BX8103722	SLEEVE,SHFT,BZ ZC2	1
7	BI8101271	SCREW,IMP,BZ EC/ZC2	1
8	GX5042301	SLINGER,1-7/32X3-1/4X5/32 80 DUR (180JM-210JM)	1
	<i>GX5042300</i>	<i>SLINGER,1-1/8X3-1/4X5/32 80 DUR (140JM)</i>	1
9	GX5041000	GASKET,6-5/8X7-5/32X1/32 ,N-8090	1
10	GX5040500	GASKET,IMP SCRW,7/8X1-3/8X1/32	1
11	GX5098300	O-RING,T21,1-1/4,BUNA,SLV	1
	<i>GX5098301</i>	<i>O-RING,T21,1-1/4,EPDM,SLV (1-1/4 X 1-3/8 X 1/16)</i>	1
	<i>GX5098302</i>	<i>O-RING,43/252/325,VIT DC3</i>	1
12	GX5091600	SPLASHPLATE,EC2 KC2 RC2 ZC2,SS FR143-184	1
13	GX5051300	KEY,IMP, .187SQX1.5 EC KC RC ZC	1
14	GS8103410	KIT,1-1/4,T21,CE/CA/BU ZC2	1
	<i>GS8103410-316SS</i>	<i>KIT,1-1/4,T21,CE/CA/BU,316SS MET ZC2</i>	1
	<i>GS8105960</i>	<i>KIT,1-1/4,T21,CE/CA/VI ZC2</i>	1
	<i>GS8105960-316SS</i>	<i>KIT,1-1/4,T21,CE/CA/VI,316SS MET ZC2</i>	1
	<i>GS8106590</i>	<i>KIT,1-1/4,T21,NI/CA/BU ZC2</i>	1
	<i>GS8106590-316SS</i>	<i>KIT,1-1/4,T21,NI/CA/BU,316SS MET ZC2</i>	1
	<i>GS8106620</i>	<i>KIT,1-1/4,T21,CE/CA/EP ZC2</i>	1
	<i>GS8106620-316SS</i>	<i>KIT,1-1/4,T21,CE/CA/EP,316SS MET ZC2</i>	1
	<i>GS8106610</i>	<i>KIT,1-1/4,T21,TC/CA/VI ZC2 1512,215,252,325,43</i>	1
	<i>GS8107830</i>	<i>KIT,1-1/4,T21,SC/CA/VI ZC2</i>	1



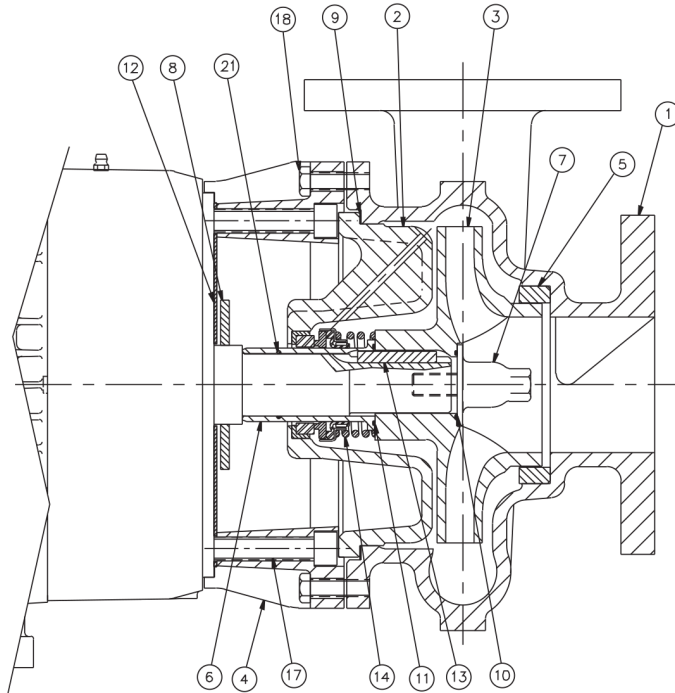
Ref #	Component
1	Casing
2	Cover
3	Impeller
4	Adapter
5	Wear Ring (Casing)
6	Shaft Sleeve
7	Impeller Screw
8	Slinger
9	Gasket, Casing
10	Gasket, Impeller Screw
11	O-Ring, Shaft Sleeve
12	Splashplate
13	Key, Impeller
14	Seal Kit
17	Capscrew (Motor/Adapter)
18	Capscrew (Casing/Adapter)
21*	O-Ring, Shaft Sleeve
22**	Wear Ring (Cover)

\* ZCH2 Only  
\*\* ZC2/ZCH2 4 x 3 Only

**Exploded View**

*Optional Items Shown in ITALICS*

Ref #	Component Item No.	Description	Qty Per
14	<i>GS8111170-316SS</i>	<i>KIT, 1-1/4, T21, TC/SC/BU, 316SS MET ZC2 1512, 215, 252, 325, 43</i>	1
17	<b>GX5077100</b>	<b>CAPSCRW, HX, 3/8-16X1, 18-8SS HX HD</b>	4
18	<b>GX5077100</b>	<b>CAPSCRW, HX, 3/8-16X1, 18-8SS HX HD</b>	8



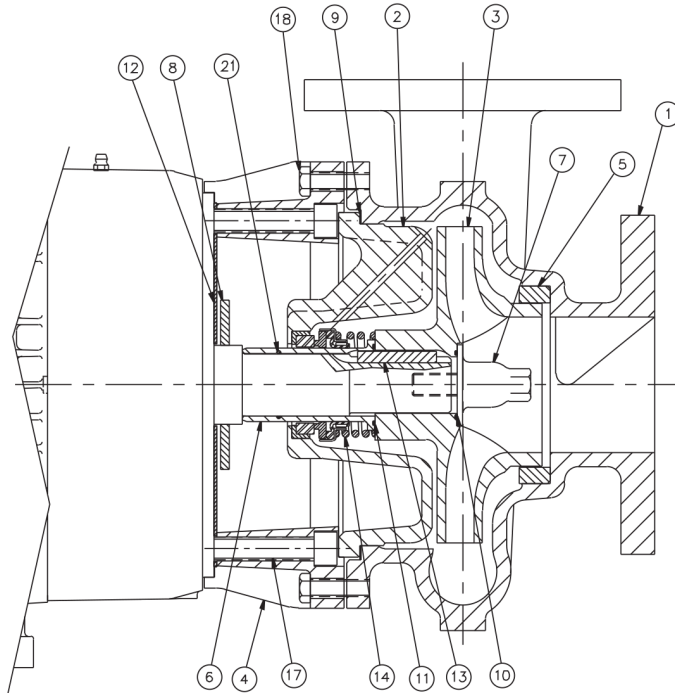
Ref #	Component
1	Casing
2	Cover
3	Impeller
4	Adapter
5	Wear Ring (Casing)
6	Shaft Sleeve
7	Impeller Screw
8	Slinger
9	Gasket, Casing
10	Gasket, Impeller Screw
11	O-Ring, Shaft Sleeve
12	Splashplate
13	Key, Impeller
14	Seal Kit
17	Capscrew (Motor/Adapter)
18	Capscrew (Casing/Adapter)
21*	O-Ring, Shaft Sleeve
22**	Wear Ring (Cover)

\* ZCH2 Only  
\*\* ZC2/ZCH2 4 x 3 Only

**Exploded View**

*Optional Items Shown in ITALICS*

Ref #	Component Item No.	Description	Qty Per
1	BV8400751	CASING,2X1-1/2,BZ ZC2	1
2	BC8301331	COVER,2-1/2X2,BZ ZC2	1
3	BI8200061	IMPELLER,2X1-1/2,BZ ZC2	1
4	GX8301391	ADAPTER,210 JM FRAME ZC2	1
	<i>SX8301392</i>	<i>ADAPTER,210 JM FRAME,SS ZC2</i>	1
5	BW8100112	RING,WEAR,2 SUCTION,BZ ZC2 ZCH2 2X2	1
6	BX8103722	SLEEVE,SHFT,BZ ZC2	1
7	BI8101271	SCREW,IMP,BZ EC/ZC2	1
8	GX5042301	SLINGER,1-7/32X3-1/4X5/32 80 DUR (180JM-210JM)	1
9	GX5041000	GASKET,6-5/8X7-5/32X1/32 ,N-8090	1
10	GX5040500	GASKET,IMP SCRW,7/8X1-3/8X1/32	1
11	GX5098300	O-RING,T21,1-1/4,BUNA,SLV	1
	<i>GX5098301</i>	<i>O-RING,T21,1-1/4,EPDM,SLV (1-1/4 X 1-3/8 X 1/16)</i>	1
	<i>GX5098302</i>	<i>O-RING,43/252/325,VIT DC3</i>	1
12	GX5091400	SPLASHPLATE,EC2 KC2 RC2 ZC2,SS FR213-256	1
13	GX5051300	KEY,IMP,.187SQX1.5 EC KC RC ZC	1
14	GS8103410	KIT,1-1/4,T21,CE/CA/BU ZC2	1
	<i>GS8103410-316SS</i>	<i>KIT,1-1/4,T21,CE/CA/BU,316SS MET ZC2</i>	1
	<i>GS8105960</i>	<i>KIT,1-1/4,T21,CE/CA/VI ZC2</i>	1
	<i>GS8105960-316SS</i>	<i>KIT,1-1/4,T21,CE/CA/VI,316SS MET ZC2</i>	1
	<i>GS8106590</i>	<i>KIT,1-1/4,T21,NI/CA/BU ZC2</i>	1
	<i>GS8106590-316SS</i>	<i>KIT,1-1/4,T21,NI/CA/BU,316SS MET ZC2</i>	1
	<i>GS8106620</i>	<i>KIT,1-1/4,T21,CE/CA/EP ZC2</i>	1
	<i>GS8106620-316SS</i>	<i>KIT,1-1/4,T21,CE/CA/EP,316SS MET ZC2</i>	1
	<i>GS8106610</i>	<i>KIT,1-1/4,T21,TC/CA/VI ZC2 1512,215,252,325,43</i>	1
	<i>GS8107830</i>	<i>KIT,1-1/4,T21,SC/CA/VI ZC2</i>	1
	<i>GS8111170-316SS</i>	<i>KIT,1-1/4,T21,TC/SC/BU,316SS MET ZC2 1512,215,252,325,43</i>	1



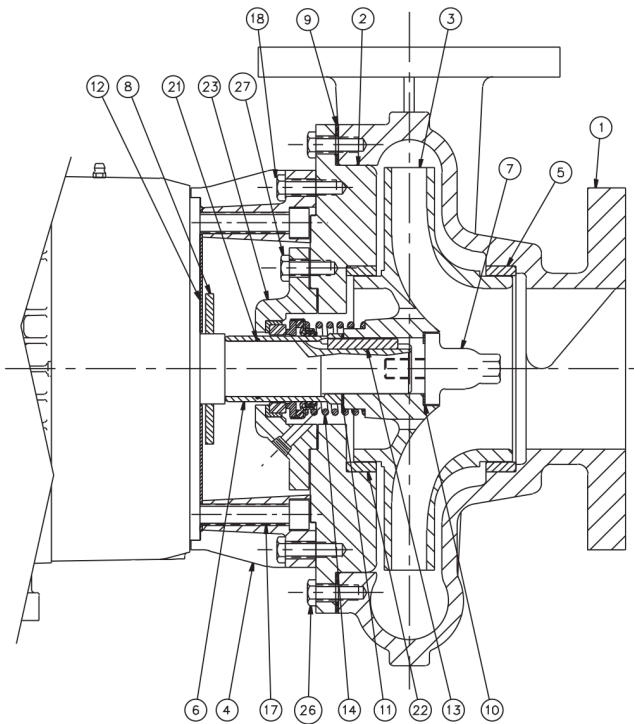
Ref #	Component
1	Casing
2	Cover
3	Impeller
4	Adapter
5	Wear Ring (Casing)
6	Shaft Sleeve
7	Impeller Screw
8	Slinger
9	Gasket, Casing
10	Gasket, Impeller Screw
11	O-Ring, Shaft Sleeve
12	Splashplate
13	Key, Impeller
14	Seal Kit
17	Capscrew (Motor/Adapter)
18	Capscrew (Casing/Adapter)
21*	O-Ring, Shaft Sleeve
22**	Wear Ring (Cover)

\* ZCH2 Only  
\*\* ZC2/ZCH2 4 x 3 Only

**Exploded View**

*Optional Items Shown in ITALICS*

Ref #	Component Item No.	Description	Qty Per
17	GX5077400	CAPSCRW,SH,1/2-13X1-3/4,BLK OX SCKT HD	4
18	GX5077100	CAPSCRW,HX,3/8-16X1,18-8SS HX HD	4
	GX5077200	CAPSCRW,HX,3/8-16X1-1/4,18-8SS HX HD	4



Ref #	Component
1	Casing
2	Cover
3	Impeller
4	Adapter
5	Wear Ring (Casing)
6	Shaft Sleeve
7	Impeller Screw
8	Slinger
9	Gasket, Casing
10	Gasket, Impeller Screw
11	O-Ring, Shaft Sleeve
12	Splashplate
13	Key, Impeller
14	Seal Kit
17	Capscrew (Motor/Adapter)
18	Capscrew (Cover/Adapter)
21*	O-Ring, Shaft Sleeve
22**	Wear Ring (Cover)
23	Stuffing Box
24	Gasket, Stuffing Box
26	Capscrew (Casing/Cover)
27	Capscrew (Cover/Stuffing Box)

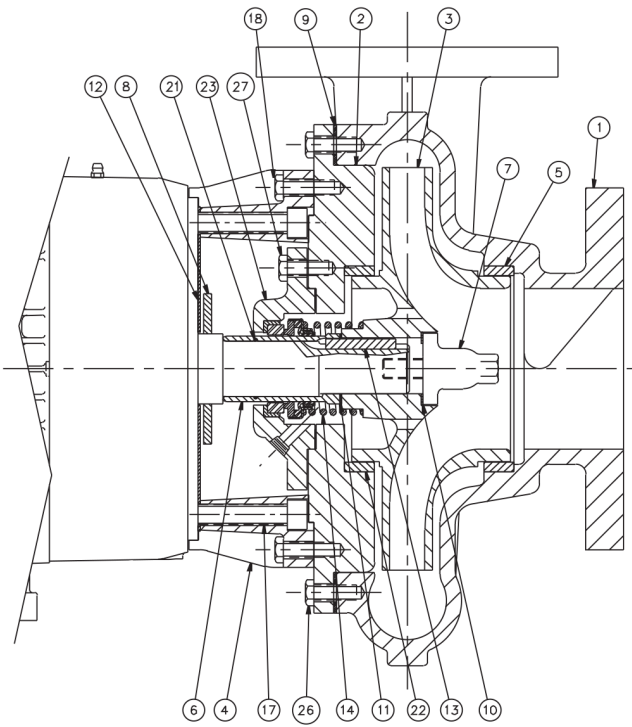
\* ZCH2 Only

\*\* Not Required for 1-1/2 x 1-1/2 Models

**Exploded View**

*Optional Items Shown in ITALICS*

Ref #	Component Item No.	Description	Qty Per
1	BV8402161	CASING,2X2,BZ ZC2	1
2	BC8402181	COVER,22/1515,JM,SGL SEAL,BZ ZC2 ZCH2	1
3	BI8303751	IMPELLER,2X2,BZ,T21 SEAL ZC2	1
4	GX8400951	ADAPTER,100 JM FRAME ZC2	1
	<i>SX8400952</i>	<i>ADAPTER,100 JM FRAME,SS ZC2</i>	<i>1</i>
5	BW8100112	RING,WEAR,2 SUCTION,BZ ZC2 ZCH2 2X2	1
6	BX8107751	SLEEVE,SHFT,4X3L,BZ ZC2	1
7	BI8101271	SCREW,IMP,BZ EC/ZC2	1
8	GX5042301	SLINGER,1-7/32X3-1/4X5/32 80 DUR (180JM-210JM)	1
9	GX5041300	GASKET,9-1/4 X 10 X1/16,N-8090	1
10	GX5040500	GASKET,IMP SCRW,7/8X1-3/8X1/32	1
11	GX5040000	GASKET,7/8X1-1/2X1/32,N-8090	1
12	GX5091600	SPLASHPLATE,EC2/KC2/RC2/ZC2,SS FR143-184	1
13	GX5051300	KEY,IMP, .187SQX1.5 EC KC RC ZC	1
14	GS8108160	KIT,1-1/4,T21,CE/CA/BU ZC2	1
	<i>GS8108160-316SS</i>	<i>KIT,1-1/4,T21,CE/CA/BU,316SS MET ZC2</i>	<i>1</i>
	<i>GS8108170</i>	<i>KIT,1-1/4,T21,CE/CA/VI ZC2</i>	<i>1</i>
	<i>GS8108170-316SS</i>	<i>KIT,1-1/4,T21,CE/CA/VI,316SS MET ZC2</i>	<i>1</i>
17	GX5077100	CAPSCRW,HX,3/8-16X1,18-8SS HX HD	4
18	GX5077100	CAPSCRW,HX,3/8-16X1,18-8SS HX HD	8
21	GX5038500	O-RING, .989X1.29X.070,BUNA 70 DUR, IMP SCRW	1
	<i>GX5038502</i>	<i>O-RING,T21,1-1/4,EPDM (2-022)</i>	<i>1</i>
	<i>GX5038501</i>	<i>O-RING,43/252/325,VIT,FDA CMPL DC3 ZC2</i>	<i>1</i>
22	BW8100112	RING,WEAR,2 SUCTION,BZ ZC2 ZCH2 2X2	1
23	BX8204301	STUFFING BOX,4X3L,BZ,JM,T21/T1 ZC2	1
24	GX5041900	GASKET,4X3X1/32,N-8090,STFBX STUFFING BOX	1
26	GX5077100	CAPSCRW,HX,3/8-16X1,18-8SS HX HD	8



Ref #	Component
1	Casing
2	Cover
3	Impeller
4	Adapter
5	Wear Ring (Casing)
6	Shaft Sleeve
7	Impeller Screw
8	Slinger
9	Gasket, Casing
10	Gasket, Impeller Screw
11	O-Ring, Shaft Sleeve
12	Splashplate
13	Key, Impeller
14	Seal Kit
17	Capscrew (Motor/Adapter)
18	Capscrew (Cover/Adapter)
21*	O-Ring, Shaft Sleeve
22**	Wear Ring (Cover)
23	Stuffing Box
24	Gasket, Stuffing Box
26	Capscrew (Casing/Cover)
27	Capscrew (Cover/Stuffing Box)

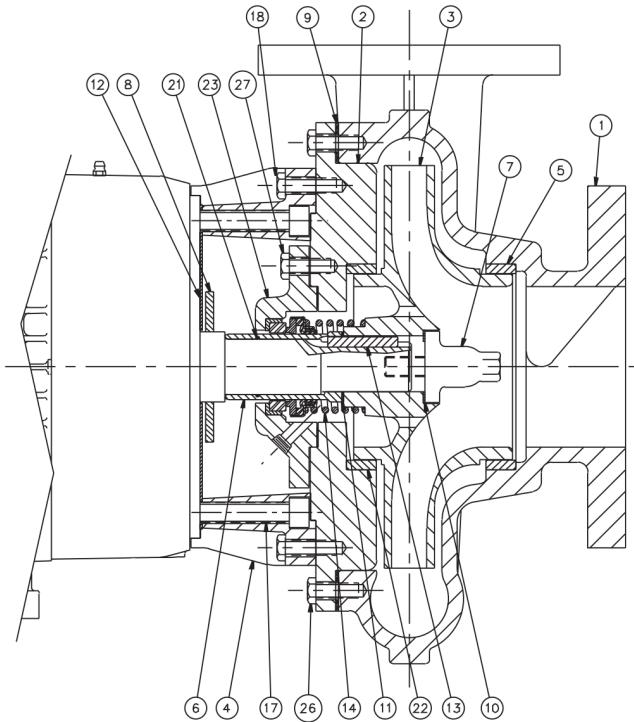
\* ZCH2 Only

\*\* Not Required for 1-1/2 x 1-1/2 Models

**Exploded View**

*Optional Items Shown in ITALICS*

Ref #	Component Item No.	Description	Qty Per
27	<i>GX5077100</i>	<i>CAPSCRW,HX,3/8-16X1,18-8SS HX HD</i>	4



Ref #	Component
1	Casing
2	Cover
3	Impeller
4	Adapter
5	Wear Ring (Casing)
6	Shaft Sleeve
7	Impeller Screw
8	Slinger
9	Gasket, Casing
10	Gasket, Impeller Screw
11	O-Ring, Shaft Sleeve
12	Splashplate
13	Key, Impeller
14	Seal Kit
17	Capscrew (Motor/Adapter)
18	Capscrew (Cover/Adapter)
21*	O-Ring, Shaft Sleeve
22**	Wear Ring (Cover)
23	Stuffing Box
24	Gasket, Stuffing Box
26	Capscrew (Casing/Cover)
27	Capscrew (Cover/Stuffing Box)

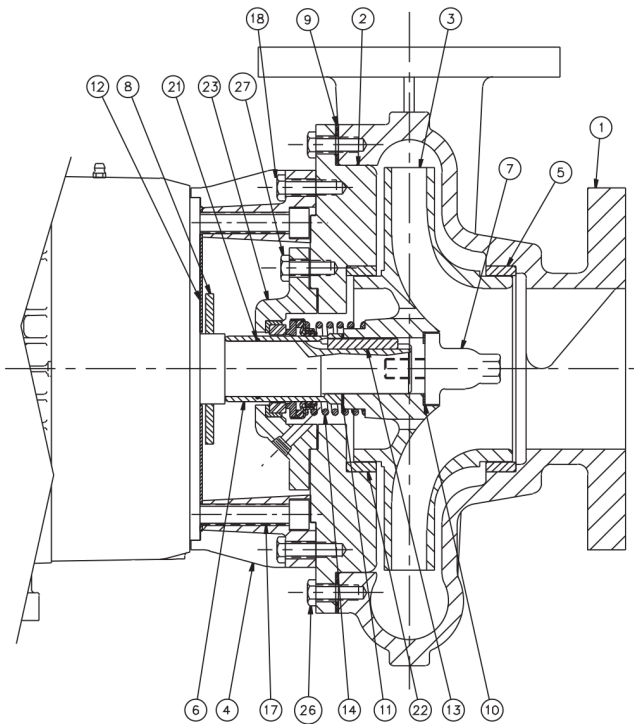
\* ZCH2 Only

\*\* Not Required for 1-1/2 x 1-1/2 Models

**Exploded View**

*Optional Items Shown in ITALICS*

Ref #	Component Item No.	Description	Qty Per
1	BV8402161	CASING,2X2,BZ ZC2	1
2	BC8402181	COVER,22/1515,JM,SGL SEAL,BZ ZC2 ZCH2	1
3	BI8303751	IMPELLER,2X2,BZ,T21 SEAL ZC2	1
4	GX8301391	ADAPTER,210 JM FRAME ZC2	1
	<i>SX8301392</i>	<i>ADAPTER,210 JM FRAME,SS ZC2</i>	<i>1</i>
5	BW8100112	RING,WEAR,2 SUCTION,BZ ZC2 ZCH2 2X2	1
6	BX8107751	SLEEVE,SHFT,4X3L,BZ ZC2	1
7	BI8101271	SCREW,IMP,BZ EC/ZC2	1
8	GX5042301	SLINGER,1-7/32X3-1/4X5/32 80 DUR (180JM-210JM)	1
9	GX5041300	GASKET,9-1/4 X 10 X1/16,N-8090	1
10	GX5040500	GASKET,IMP SCRW,7/8X1-3/8X1/32	1
11	GX5040000	GASKET,7/8X1-1/2X1/32,N-8090	1
12	GX5091400	SPLASHPLATE,EC2/KC2/RC2/ZC2,SS FR213-256	1
13	GX5051300	KEY,IMP,,187SQX1.5 EC KC RC ZC	1
14	GS8108160	KIT,1-1/4,T21,CE/CA/BU ZC2	1
	<i>GS8108160-316SS</i>	<i>KIT,1-1/4,T21,CE/CA/BU,316SS MET ZC2</i>	<i>1</i>
	<i>GS8108170</i>	<i>KIT,1-1/4,T21,CE/CA/VI ZC2</i>	<i>1</i>
	<i>GS8108170-316SS</i>	<i>KIT,1-1/4,T21,CE/CA/VI,316SS MET ZC2</i>	<i>1</i>
17	GX5077400	CAPSCRW,SH,1/2-13X1-3/4,BLK OX SCKT HD	4
18	GX5077100	CAPSCRW,HX,3/8-16X1,18-8SS HX HD	4
	GX5077200	CAPSCRW,HX,3/8-16X1-1/4,18-8SS HX HD	4
21	GX5038500	O-RING,,989X1.29X.070,BUNA 70 DUR, IMP SCRW	1
	<i>GX5038502</i>	<i>O-RING,T21,1-1/4,EPDM (2-022)</i>	<i>1</i>
	<i>GX5038501</i>	<i>O-RING,43/252/325,VIT,FDA CMPL DC3 ZC2</i>	<i>1</i>
22	BW8100112	RING,WEAR,2 SUCTION,BZ ZC2 ZCH2 2X2	1
23	BX8204301	STUFFING BOX,4X3L,BZ,JM,T21/T1 ZC2	1
24	GX5041900	GASKET,4X3X1/32,N-8090,STFBX STUFFING BOX	1



Ref #	Component
1	Casing
2	Cover
3	Impeller
4	Adapter
5	Wear Ring (Casing)
6	Shaft Sleeve
7	Impeller Screw
8	Slinger
9	Gasket, Casing
10	Gasket, Impeller Screw
11	O-Ring, Shaft Sleeve
12	Splashplate
13	Key, Impeller
14	Seal Kit
17	Capscrew (Motor/Adapter)
18	Capscrew (Cover/Adapter)
21*	O-Ring, Shaft Sleeve
22**	Wear Ring (Cover)
23	Stuffing Box
24	Gasket, Stuffing Box
26	Capscrew (Casing/Cover)
27	Capscrew (Cover/Stuffing Box)

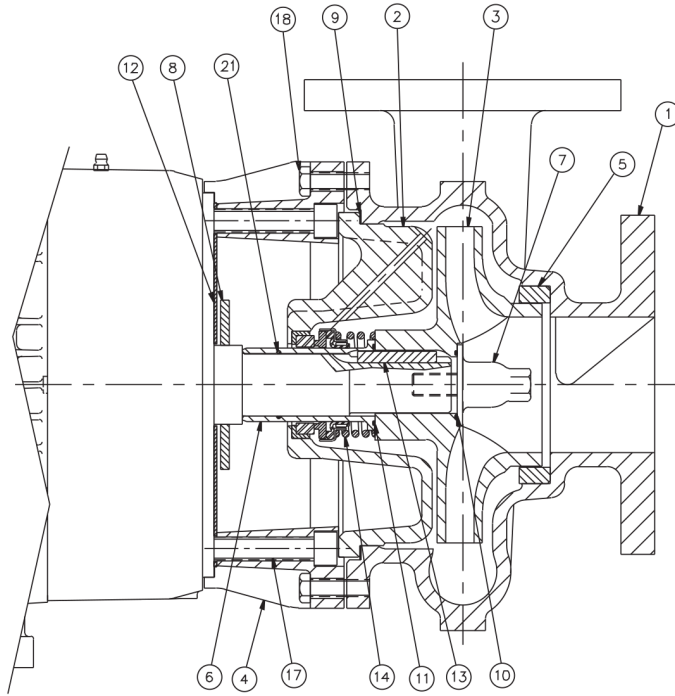
\* ZCH2 Only

\*\* Not Required for 1-1/2 x 1-1/2 Models

**Exploded View**

*Optional Items Shown in ITALICS*

Ref #	Component Item No.	Description	Qty Per
26	<b>GX5077100</b>	<b>CAPSCRW,HX,3/8-16X1,18-8SS HX HD</b>	<b>8</b>
27	<b>GX5077100</b>	<b>CAPSCRW,HX,3/8-16X1,18-8SS HX HD</b>	<b>4</b>



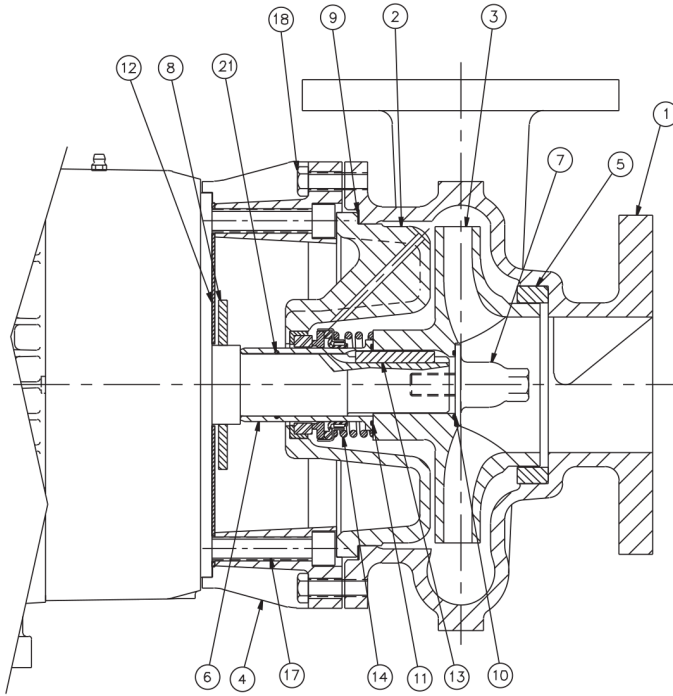
Ref #	Component
1	Casing
2	Cover
3	Impeller
4	Adapter
5	Wear Ring (Casing)
6	Shaft Sleeve
7	Impeller Screw
8	Slinger
9	Gasket, Casing
10	Gasket, Impeller Screw
11	O-Ring, Shaft Sleeve
12	Splashplate
13	Key, Impeller
14	Seal Kit
17	Capscrew (Motor/Adapter)
18	Capscrew (Casing/Adapter)
21*	O-Ring, Shaft Sleeve
22**	Wear Ring (Cover)

\* ZCH2 Only  
\*\* ZC2/ZCH2 4 x 3 Only

**Exploded View**

*Optional Items Shown in ITALICS*

Ref #	Component Item No.	Description	Qty Per
1	BV8401721	CASING,2-1/2X2,BZ ZC2	1
2	BC8301331	COVER,2-1/2X2,BZ ZC2	1
3	BI8200011	IMPELLER,2-1/2X2,BZ ZC2	1
4	GX8400951	ADAPTER,100 JM FRAME ZC2	1
	<i>SX8400952</i>	<i>ADAPTER,100 JM FRAME,SS ZC2</i>	1
5	BW8100032	RING,WEAR,2-1/2 SUCTION,BZ ZC2 2-1/2X2	1
6	BX8103722	SLEEVE,SHFT,BZ ZC2	1
7	BI8101271	SCREW,IMP,BZ EC/ZC2	1
8	GX5042301	SLINGER,1-7/32X3-1/4X5/32 80 DUR (180JM-210JM)	1
	<i>GX5042300</i>	<i>SLINGER,1-1/8X3-1/4X5/32 80 DUR (140JM)</i>	1
9	GX5041000	GASKET,6-5/8X7-5/32X1/32 ,N-8090	1
10	GX5040500	GASKET,IMP SCRW,7/8X1-3/8X1/32	1
11	GX5098300	O-RING,T21,1-1/4,BUNA,SLV	1
	<i>GX5098301</i>	<i>O-RING,T21,1-1/4,EPDM,SLV (1-1/4 X 1-3/8 X 1/16)</i>	1
	<i>GX5098302</i>	<i>O-RING,43/252/325,VIT DC3</i>	1
12	GX5091600	SPLASHPLATE,EC2/KC2/RC2/ZC2,SS FR143-184	1
13	GX5051300	KEY,IMP, .187SQX1.5 EC KC RC ZC	1
14	GS8103410	KIT,1-1/4,T21,CE/CA/BU ZC2	1
	<i>GS8103410-316SS</i>	<i>KIT,1-1/4,T21,CE/CA/BU,316SS MET ZC2</i>	1
	<i>GS8105960</i>	<i>KIT,1-1/4,T21,CE/CA/VI ZC2</i>	1
	<i>GS8105960-316SS</i>	<i>KIT,1-1/4,T21,CE/CA/VI,316SS MET ZC2</i>	1
	<i>GS8106590</i>	<i>KIT,1-1/4,T21,NI/CA/BU ZC2</i>	1
	<i>GS8106590-316SS</i>	<i>KIT,1-1/4,T21,NI/CA/BU,316SS MET ZC2</i>	1
	<i>GS8106620</i>	<i>KIT,1-1/4,T21,CE/CA/EP ZC2</i>	1
	<i>GS8106620-316SS</i>	<i>KIT,1-1/4,T21,CE/CA/EP,316SS MET ZC2</i>	1
	<i>GS8106610</i>	<i>KIT,1-1/4,T21,TC/CA/VI ZC2 1512,215,252,325,43</i>	1
	<i>GS8107830</i>	<i>KIT,1-1/4,T21,SC/CA/VI ZC2</i>	1



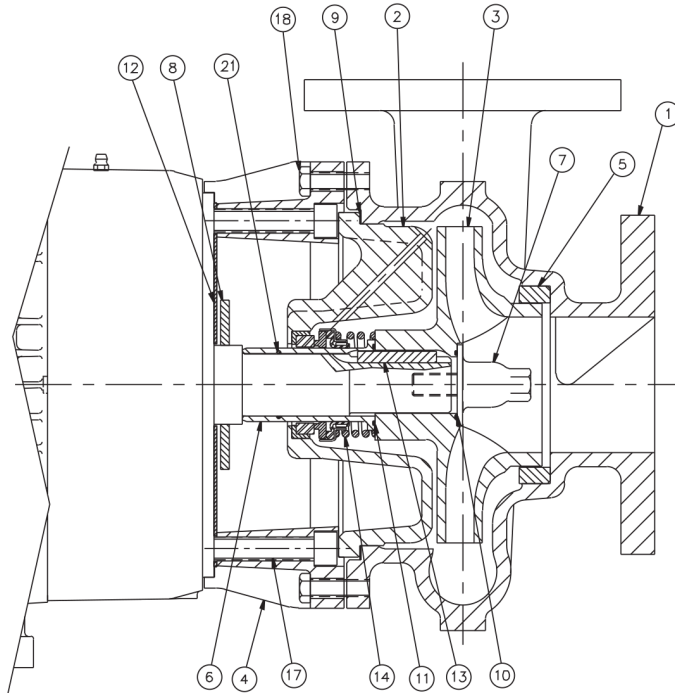
Ref #	Component
1	Casing
2	Cover
3	Impeller
4	Adapter
5	Wear Ring (Casing)
6	Shaft Sleeve
7	Impeller Screw
8	Slinger
9	Gasket, Casing
10	Gasket, Impeller Screw
11	O-Ring, Shaft Sleeve
12	Splashplate
13	Key, Impeller
14	Seal Kit
17	Capscrew (Motor/Adapter)
18	Capscrew (Casing/Adapter)
21*	O-Ring, Shaft Sleeve
22**	Wear Ring (Cover)

\* ZCH2 Only  
\*\* ZC2/ZCH2 4 x 3 Only

**Exploded View**

*Optional Items Shown in ITALICS*

Ref #	Component Item No.	Description	Qty Per
14	<i>GS8111170-316SS</i>	<i>KIT, 1-1/4, T21, TC/SC/BU, 316SS MET ZC2 1512, 215, 252, 325, 43</i>	1
17	<b>GX5077100</b>	<b>CAPSCRW, HX, 3/8-16X1, 18-8SS HX HD</b>	12
18	<b>GX5077100</b>	<b>CAPSCRW, HX, 3/8-16X1, 18-8SS HX HD</b>	8



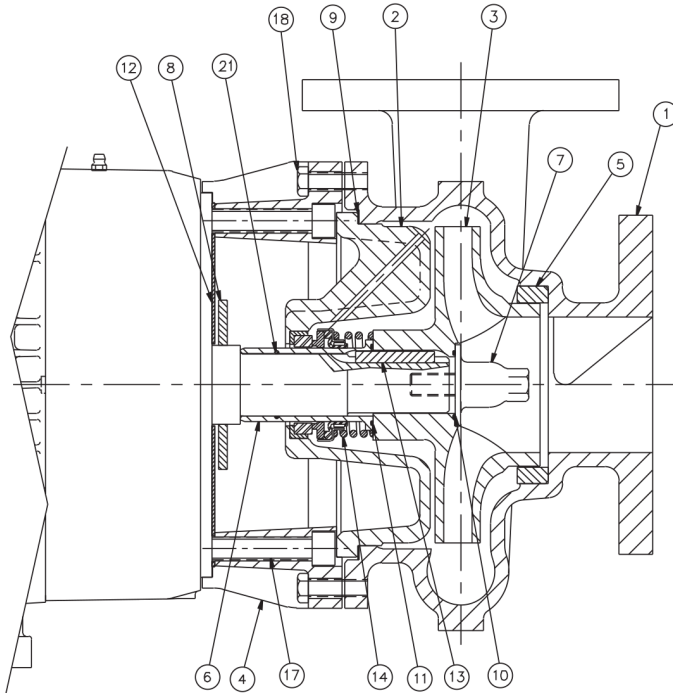
Ref #	Component
1	Casing
2	Cover
3	Impeller
4	Adapter
5	Wear Ring (Casing)
6	Shaft Sleeve
7	Impeller Screw
8	Slinger
9	Gasket, Casing
10	Gasket, Impeller Screw
11	O-Ring, Shaft Sleeve
12	Splashplate
13	Key, Impeller
14	Seal Kit
17	Capscrew (Motor/Adapter)
18	Capscrew (Casing/Adapter)
21*	O-Ring, Shaft Sleeve
22**	Wear Ring (Cover)

\* ZCH2 Only  
\*\* ZC2/ZCH2 4 x 3 Only

**Exploded View**

*Optional Items Shown in ITALICS*

Ref #	Component Item No.	Description	Qty Per
1	BV8401721	CASING,2-1/2X2,BZ ZC2	1
2	BC8301331	COVER,2-1/2X2,BZ ZC2	1
3	BI8200011	IMPELLER,2-1/2X2,BZ ZC2	1
4	GX8301391	ADAPTER,210 JM FRAME ZC2	1
	<i>SX8301392</i>	<i>ADAPTER,210 JM FRAME,SS ZC2</i>	1
5	BW8100032	RING,WEAR,2-1/2 SUCTION,BZ ZC2 2-1/2X2	1
6	BX8103722	SLEEVE,SHFT,BZ ZC2	1
7	BI8101271	SCREW,IMP,BZ EC/ZC2	1
8	GX5042301	SLINGER,1-7/32X3-1/4X5/32 80 DUR (180JM-210JM)	1
9	GX5041000	GASKET,6-5/8X7-5/32X1/32 ,N-8090	1
10	GX5040500	GASKET,IMP SCRW,7/8X1-3/8X1/32	1
11	GX5098300	O-RING,T21,1-1/4,BUNA,SLV	1
	<i>GX5098301</i>	<i>O-RING,T21,1-1/4,EPDM,SLV (1-1/4 X 1-3/8 X 1/16)</i>	1
	<i>GX5098302</i>	<i>O-RING,43/252/325,VIT DC3</i>	1
12	GX5091400	SPLASHPLATE,EC2/KC2/RC2/ZC2,SS FR213-256	1
13	GX5051300	KEY,IMP,.187SQX1.5 EC KC RC ZC	1
14	GS8103410	KIT,1-1/4,T21,CE/CA/BU ZC2	1
	<i>GS8103410-316SS</i>	<i>KIT,1-1/4,T21,CE/CA/BU,316SS MET ZC2</i>	1
	<i>GS8105960</i>	<i>KIT,1-1/4,T21,CE/CA/VI ZC2</i>	1
	<i>GS8105960-316SS</i>	<i>KIT,1-1/4,T21,CE/CA/VI,316SS MET ZC2</i>	1
	<i>GS8106590</i>	<i>KIT,1-1/4,T21,NI/CA/BU ZC2</i>	1
	<i>GS8106590-316SS</i>	<i>KIT,1-1/4,T21,NI/CA/BU,316SS MET ZC2</i>	1
	<i>GS8106620</i>	<i>KIT,1-1/4,T21,CE/CA/EP ZC2</i>	1
	<i>GS8106620-316SS</i>	<i>KIT,1-1/4,T21,CE/CA/EP,316SS MET ZC2</i>	1
	<i>GS8106610</i>	<i>KIT,1-1/4,T21,TC/CA/VI ZC2 1512,215,252,325,43</i>	1
	<i>GS8107830</i>	<i>KIT,1-1/4,T21,SC/CA/VI ZC2</i>	1
	<i>GS8111170-316SS</i>	<i>KIT,1-1/4,T21,TC/SC/BU,316SS MET ZC2 1512,215,252,325,43</i>	1



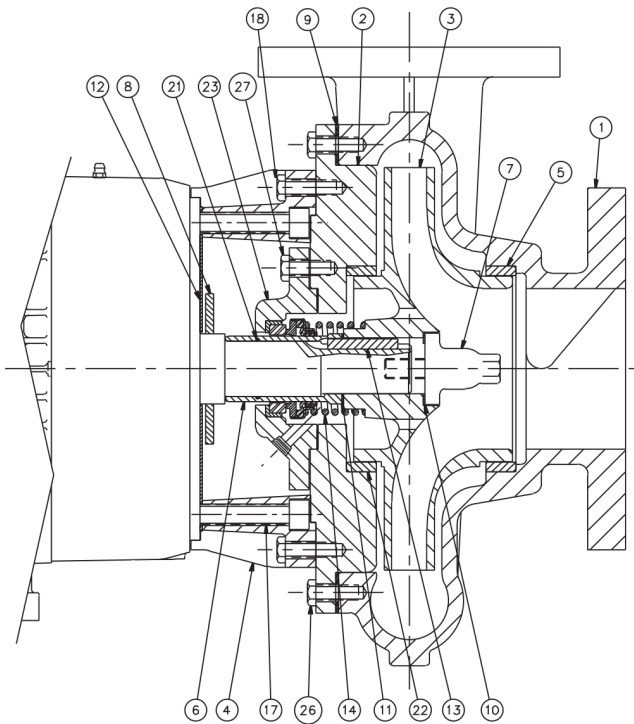
Ref #	Component
1	Casing
2	Cover
3	Impeller
4	Adapter
5	Wear Ring (Casing)
6	Shaft Sleeve
7	Impeller Screw
8	Slinger
9	Gasket, Casing
10	Gasket, Impeller Screw
11	O-Ring, Shaft Sleeve
12	Splashplate
13	Key, Impeller
14	Seal Kit
17	Capscrew (Motor/Adapter)
18	Capscrew (Casing/Adapter)
21*	O-Ring, Shaft Sleeve
22**	Wear Ring (Cover)

\* ZCH2 Only  
\*\* ZC2/ZCH2 4 x 3 Only

**Exploded View**

*Optional Items Shown in ITALICS*

Ref #	Component Item No.	Description	Qty Per
17	<b>GX5077100</b>	<b>CAPSCRW,HX,3/8-16X1,18-8SS HX HD</b>	<b>4</b>
	<b>GX5077200</b>	<b>CAPSCRW,HX,3/8-16X1-1/4,18-8SS HX HD</b>	<b>4</b>
18	<b>GX5077400</b>	<b>CAPSCRW,SH,1/2-13X1-3/4,BLK OX SCKT HD</b>	<b>4</b>



Ref #	Component
1	Casing
2	Cover
3	Impeller
4	Adapter
5	Wear Ring (Casing)
6	Shaft Sleeve
7	Impeller Screw
8	Slinger
9	Gasket, Casing
10	Gasket, Impeller Screw
11	O-Ring, Shaft Sleeve
12	Splashplate
13	Key, Impeller
14	Seal Kit
17	Capscrew (Motor/Adapter)
18	Capscrew (Cover/Adapter)
21*	O-Ring, Shaft Sleeve
22**	Wear Ring (Cover)
23	Stuffing Box
24	Gasket, Stuffing Box
26	Capscrew (Casing/Cover)
27	Capscrew (Cover/Stuffing Box)

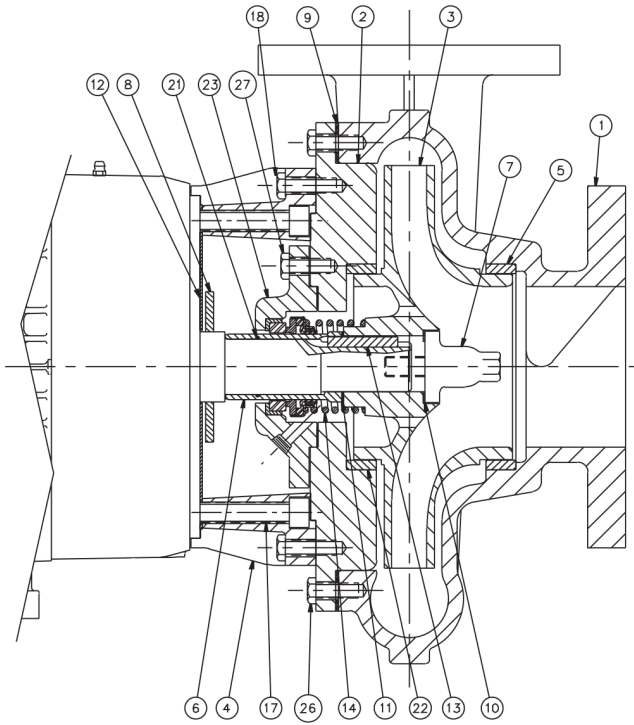
\* ZCH2 Only

\*\* Not Required for 1-1/2 x 1-1/2 Models

**Exploded View**

*Optional Items Shown in ITALICS*

Ref #	Component Item No.	Description	Qty Per
1	BV8402241	CASING,3X2,BRZ ZC2	1
2	BC8402261	COVER,32/43L/3310,JM,BZ ZC2 ZCH2 SGL SEAL	1
3	BI8303771	IMPELLER,3X2,BZ,T21 SEAL ZC2	1
4	GX8400951	ADAPTER,100 JM FRAME ZC2	1
	<i>SX8400952</i>	<i>ADAPTER,100 JM FRAME,SS ZC2</i>	<i>1</i>
5	BW8107661	RING,WEAR,3X2,SUCTION,BZ ZC2 ZCH2 3X2	1
6	BX8107751	SLEEVE,SHFT,4X3L,BZ ZC2	1
7	BI8107741	SCREW,32/43C/43L/3310,IMP,BZ ZC2 RC2	1
8	GX5042301	SLINGER,1-7/32X3-1/4X5/32 80 DUR (180JM-210JM)	1
9	GX5106200	GASKET,3X2,CVR,CASING 10-1/8X 12-1/8 X 1/16 N-8090	1
10	GX5040500	GASKET,IMP SCRW,7/8X1-3/8X1/32	1
11	GX5040000	GASKET,7/8X1-1/2X1/32,N-8090	1
12	GX5091600	SPLASHPLATE,EC2/KC2/RC2/ZC2,SS FR143-184	1
13	GX5051300	KEY,IMP, .187SQX1.5 EC KC RC ZC	1
14	GS8107860	KIT,1-1/4,3X2,T21,CA/CE/BU ZC2	1
	<i>GS8108180</i>	<i>KIT,1-1/4,T21,CE/CA/VI 3X2, 4X3L ZC2</i>	<i>1</i>
17	GX5077100	CAPSCRW,HX,3/8-16X1,18-8SS HX HD	4
18	GX5077100	CAPSCRW,HX,3/8-16X1,18-8SS HX HD	8
21	GX5038500	O-RING, .989X1.29X.070,BUNA 70 DUR, IMP SCRW	1
	<i>GX5038502</i>	<i>O-RING,T21,1-1/4,EPDM (2-022)</i>	<i>1</i>
	<i>GX5038501</i>	<i>O-RING,43/252/325,VIT,FDA CMPL DC3 ZC2</i>	<i>1</i>
22	BW8107681	RING,WEAR,3X2 4X3 L ,BZ,STUFF BX ZC2 ZCH2	1
23	BX8204301	STUFFING BOX,4X3L,BZ,JM,T21/T1 ZC2	1
24	GX5041900	GASKET,4X3X1/32,N-8090,STFBX STUFFING BOX	1
26	GX5077100	CAPSCRW,HX,3/8-16X1,18-8SS HX HD	12
27	GX5077100	CAPSCRW,HX,3/8-16X1,18-8SS HX HD	4



Ref #	Component
1	Casing
2	Cover
3	Impeller
4	Adapter
5	Wear Ring (Casing)
6	Shaft Sleeve
7	Impeller Screw
8	Slinger
9	Gasket, Casing
10	Gasket, Impeller Screw
11	O-Ring, Shaft Sleeve
12	Splashplate
13	Key, Impeller
14	Seal Kit
17	Capscrew (Motor/Adapter)
18	Capscrew (Cover/Adapter)
21*	O-Ring, Shaft Sleeve
22**	Wear Ring (Cover)
23	Stuffing Box
24	Gasket, Stuffing Box
26	Capscrew (Casing/Cover)
27	Capscrew (Cover/Stuffing Box)

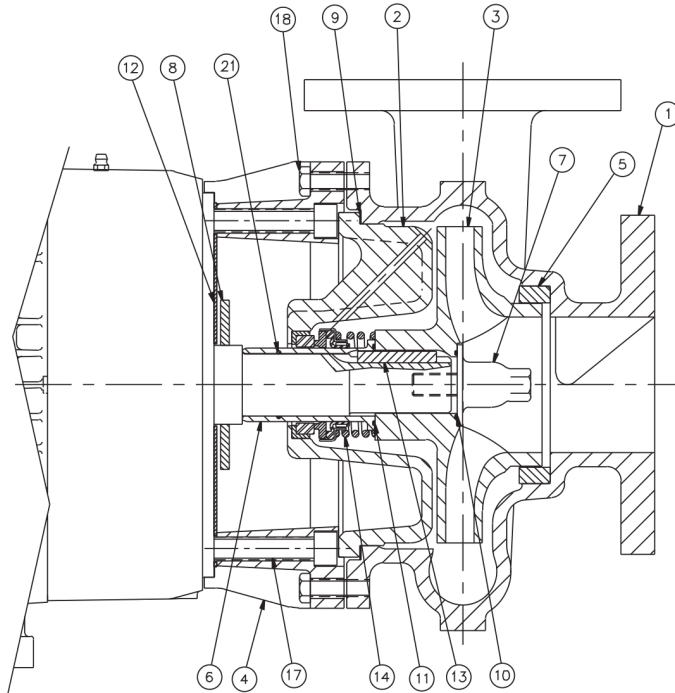
\* ZCH2 Only

\*\* Not Required for 1-1/2 x 1-1/2 Models

**Exploded View**

*Optional Items Shown in ITALICS*

Ref #	Component Item No.	Description	Qty Per
1	BV8402241	CASING,3X2,BRZ ZC2	1
2	BC8402261	COVER,32/43L/3310,JM,BZ ZC2 ZCH2 SGL SEAL	1
3	BI8303771	IMPELLER,3X2,BZ,T21 SEAL ZC2	1
4	GX8301391	ADAPTER,210 JM FRAME ZC2	1
	<i>SX8301392</i>	<i>ADAPTER,210 JM FRAME,SS ZC2</i>	<i>1</i>
5	BW8107661	RING,WEAR,3X2,SUCTION,BZ ZC2 ZCH2 3X2	1
6	BX8107751	SLEEVE,SHFT,4X3L,BZ ZC2	1
7	BI8107741	SCREW,32/43C/43L/3310,IMP,BZ ZC2 RC2	1
8	GX5042301	SLINGER,1-7/32X3-1/4X5/32 80 DUR (180JM-210JM)	1
9	GX5106200	GASKET,3X2,CVR,CASING 10-1/8X 12-1/8 X 1/16 N-8090	1
10	GX5040500	GASKET,IMP SCRW,7/8X1-3/8X1/32	1
11	GX5040000	GASKET,7/8X1-1/2X1/32,N-8090	1
12	GX5091400	SPLASHPLATE,EC2/KC2/RC2/ZC2,SS FR213-256	1
13	GX5051300	KEY,IMP, .187SQX1.5 EC KC RC ZC	1
14	GS8107860	KIT,1-1/4,3X2,T21,CA/CE/BU ZC2	1
	<i>GS8108180</i>	<i>KIT,1-1/4,T21,CE/CA/VI 3X2, 4X3L ZC2</i>	<i>1</i>
17	GX5077400	CAPSCRW,SH,1/2-13X1-3/4,BLK OX SCKT HD	4
18	GX5077100	CAPSCRW,HX,3/8-16X1,18-8SS HX HD	4
	GX5077200	CAPSCRW,HX,3/8-16X1-1/4,18-8SS HX HD	4
21	GX5038500	O-RING, .989X1.29X.070,BUNA 70 DUR, IMP SCRW	1
	<i>GX5038502</i>	<i>O-RING,T21,1-1/4,EPDM (2-022)</i>	<i>1</i>
	<i>GX5038501</i>	<i>O-RING,43/252/325,VIT,FDA CMPL DC3 ZC2</i>	<i>1</i>
22	BW8107681	RING,WEAR,3X2 4X3 L ,BZ,STUFF BX ZC2 ZCH2	1
23	BX8204301	STUFFING BOX,4X3L,BZ,JM,T21/T1 ZC2	1
24	GX5041900	GASKET,4X3X1/32,N-8090,STFBX STUFFING BOX	1
26	GX5077100	CAPSCRW,HX,3/8-16X1,18-8SS HX HD	12
27	GX5077100	CAPSCRW,HX,3/8-16X1,18-8SS HX HD	4



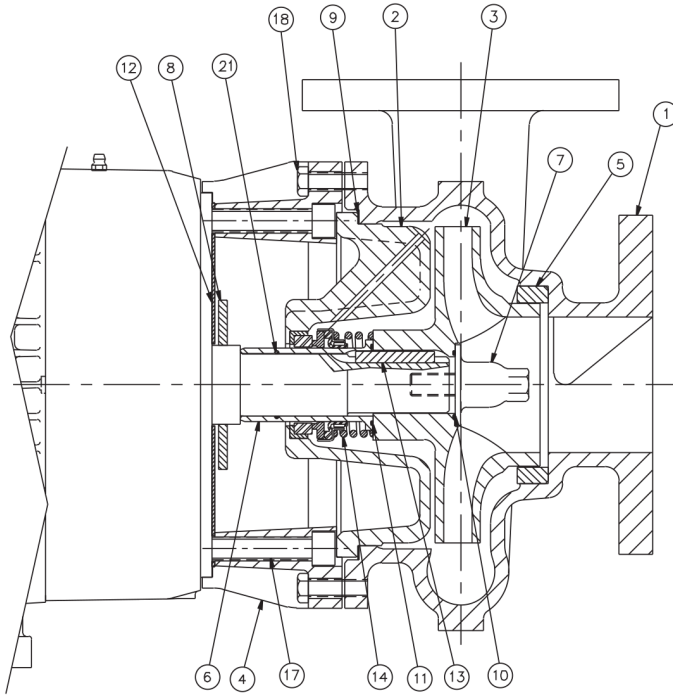
Ref #	Component
1	Casing
2	Cover
3	Impeller
4	Adapter
5	Wear Ring (Casing)
6	Shaft Sleeve
7	Impeller Screw
8	Slinger
9	Gasket, Casing
10	Gasket, Impeller Screw
11	O-Ring, Shaft Sleeve
12	Splashplate
13	Key, Impeller
14	Seal Kit
17	Capscrew (Motor/Adapter)
18	Capscrew (Casing/Adapter)
21*	O-Ring, Shaft Sleeve
22**	Wear Ring (Cover)

\* ZCH2 Only  
\*\* ZC2/ZCH2 4 x 3 Only

**Exploded View**

*Optional Items Shown in ITALICS*

Ref #	Component Item No.	Description	Qty Per
1	BV8400771	CASING,3X2-1/2,BZ ZC2	1
2	BC8301251	COVER,3X2-1/2,BZ ZC2	1
3	BI8200281	IMPELLER,3X2-1/2,BZ ZC2	1
4	GX8400951	ADAPTER,100 JM FRAME ZC2	1
	<i>SX8400952</i>	<i>ADAPTER,100 JM FRAME,SS ZC2</i>	1
5	BW8100571	RING,WEAR,EC,3X2-1/2,BZ ZC2 ZCH2 3X2-1/2	1
6	BX8103722	SLEEVE,SHFT,BZ ZC2	1
7	BI8101271	SCREW,IMP,BZ EC/ZC2	1
8	GX5042301	SLINGER,1-7/32X3-1/4X5/32 80 DUR (180JM-210JM)	1
	<i>GX5042300</i>	<i>SLINGER,1-1/8X3-1/4X5/32 80 DUR (140JM)</i>	1
9	GX5041200	GASKET,7-47/64X7-1/8X 1/32 ,N-8090	1
10	GX5040500	GASKET,IMP SCRW,7/8X1-3/8X1/32	1
11	GX5098300	O-RING,T21,1-1/4,BUNA,SLV	1
	<i>GX5098301</i>	<i>O-RING,T21,1-1/4,EPDM,SLV (1-1/4 X 1-3/8 X 1/16)</i>	1
	<i>GX5098302</i>	<i>O-RING,43/252/325,VIT DC3</i>	1
12	GX5091600	SPLASHPLATE,EC2/KC2/RC2/ZC2,SS FR143-184	1
13	GX5051300	KEY,IMP, .187SQX1.5 EC KC RC ZC	1
14	GS8103410	KIT,1-1/4,T21,CE/CA/BU ZC2	1
	<i>GS8103410-316SS</i>	<i>KIT,1-1/4,T21,CE/CA/BU,316SS MET ZC2</i>	1
	<i>GS8105960</i>	<i>KIT,1-1/4,T21,CE/CA/VI ZC2</i>	1
	<i>GS8105960-316SS</i>	<i>KIT,1-1/4,T21,CE/CA/VI,316SS MET ZC2</i>	1
	<i>GS8106590</i>	<i>KIT,1-1/4,T21,NI/CA/BU ZC2</i>	1
	<i>GS8106590-316SS</i>	<i>KIT,1-1/4,T21,NI/CA/BU,316SS MET ZC2</i>	1
	<i>GS8106620</i>	<i>KIT,1-1/4,T21,CE/CA/EP ZC2</i>	1
	<i>GS8106620-316SS</i>	<i>KIT,1-1/4,T21,CE/CA/EP,316SS MET ZC2</i>	1
	<i>GS8106610</i>	<i>KIT,1-1/4,T21,TC/CA/VI ZC2 1512,215,252,325,43</i>	1
	<i>GS8107830</i>	<i>KIT,1-1/4,T21,SC/CA/VI ZC2</i>	1



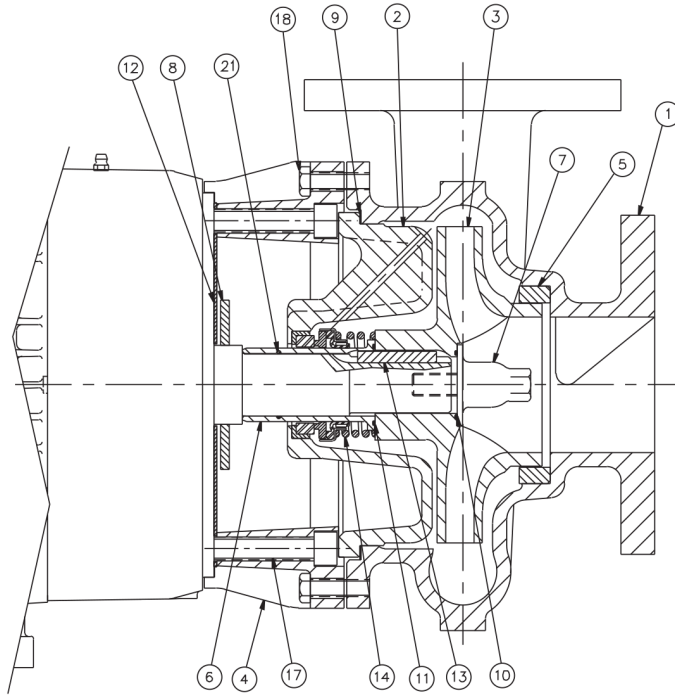
Ref #	Component
1	Casing
2	Cover
3	Impeller
4	Adapter
5	Wear Ring (Casing)
6	Shaft Sleeve
7	Impeller Screw
8	Slinger
9	Gasket, Casing
10	Gasket, Impeller Screw
11	O-Ring, Shaft Sleeve
12	Splashplate
13	Key, Impeller
14	Seal Kit
17	Capscrew (Motor/Adapter)
18	Capscrew (Casing/Adapter)
21*	O-Ring, Shaft Sleeve
22**	Wear Ring (Cover)

\* ZCH2 Only  
\*\* ZC2/ZCH2 4 x 3 Only

**Exploded View**

*Optional Items Shown in ITALICS*

Ref #	Component Item No.	Description	Qty Per
14	<i>GS8111170-316SS</i>	<i>KIT, 1-1/4, T21, TC/SC/BU, 316SS MET ZC2 1512, 215, 252, 325, 43</i>	1
17	<b>GX5077100</b>	<b>CAPSCRW, HX, 3/8-16X1, 18-8SS HX HD</b>	4
18	<b>GX5077100</b>	<b>CAPSCRW, HX, 3/8-16X1, 18-8SS HX HD</b>	8



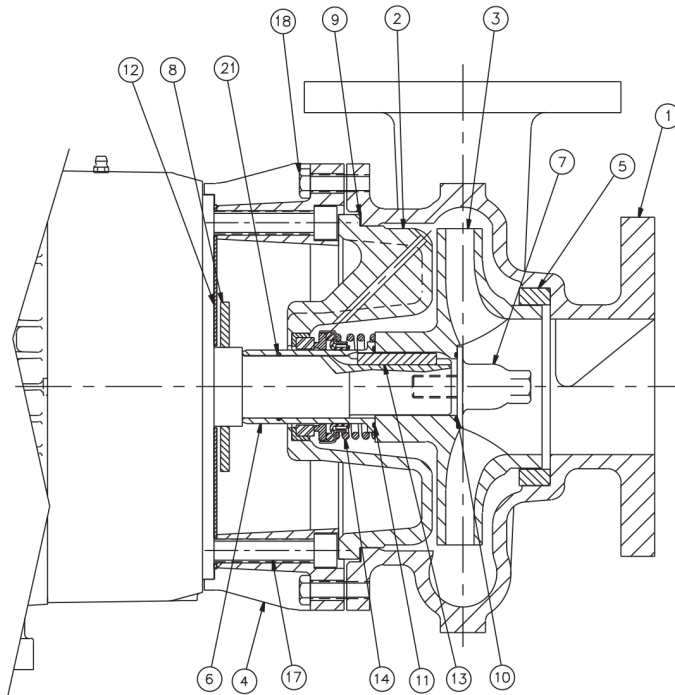
Ref #	Component
1	Casing
2	Cover
3	Impeller
4	Adapter
5	Wear Ring (Casing)
6	Shaft Sleeve
7	Impeller Screw
8	Slinger
9	Gasket, Casing
10	Gasket, Impeller Screw
11	O-Ring, Shaft Sleeve
12	Splashplate
13	Key, Impeller
14	Seal Kit
17	Capscrew (Motor/Adapter)
18	Capscrew (Casing/Adapter)
21*	O-Ring, Shaft Sleeve
22**	Wear Ring (Cover)

\* ZCH2 Only  
\*\* ZC2/ZCH2 4 x 3 Only

**Exploded View**

*Optional Items Shown in ITALICS*

Ref #	Component Item No.	Description	Qty Per
1	BV8400771	CASING,3X2-1/2,BZ ZC2	1
2	BC8301251	COVER,3X2-1/2,BZ ZC2	1
3	BI8200281	IMPELLER,3X2-1/2,BZ ZC2	1
4	GX8301391	ADAPTER,210 JM FRAME ZC2	1
	<i>SX8301392</i>	<i>ADAPTER,210 JM FRAME,SS ZC2</i>	<i>1</i>
5	BW8100571	RING,WEAR,EC,3X2-1/2,BZ ZC2 ZCH2 3X2-1/2	1
6	BX8103722	SLEEVE,SHFT,BZ ZC2	1
7	BI8101271	SCREW,IMP,BZ EC/ZC2	1
8	GX5042301	SLINGER,1-7/32X3-1/4X5/32 80 DUR (180JM-210JM)	1
9	GX5041200	GASKET,7-47/64X7-1/8X 1/32 ,N-8090	1
10	GX5040500	GASKET,IMP SCRW,7/8X1-3/8X1/32	1
11	GX5098300	O-RING,T21,1-1/4,BUNA,SLV	1
	<i>GX5098301</i>	<i>O-RING,T21,1-1/4,EPDM,SLV (1-1/4 X 1-3/8 X 1/16)</i>	<i>1</i>
	<i>GX5098302</i>	<i>O-RING,43/252/325,VIT DC3</i>	<i>1</i>
12	GX5091400	SPLASHPLATE,EC2/KC2/RC2/ZC2,SS FR213-256	1
13	GX5051300	KEY,IMP, .187SQX1.5 EC KC RC ZC	1
14	GS8103410	KIT,1-1/4,T21,CE/CA/BU ZC2	1
	<i>GS8103410-316SS</i>	<i>KIT,1-1/4,T21,CE/CA/BU,316SS MET ZC2</i>	<i>1</i>
	<i>GS8105960</i>	<i>KIT,1-1/4,T21,CE/CA/VI ZC2</i>	<i>1</i>
	<i>GS8105960-316SS</i>	<i>KIT,1-1/4,T21,CE/CA/VI,316SS MET ZC2</i>	<i>1</i>
	<i>GS8106590</i>	<i>KIT,1-1/4,T21,NI/CA/BU ZC2</i>	<i>1</i>
	<i>GS8106590-316SS</i>	<i>KIT,1-1/4,T21,NI/CA/BU,316SS MET ZC2</i>	<i>1</i>
	<i>GS8106620</i>	<i>KIT,1-1/4,T21,CE/CA/EP ZC2</i>	<i>1</i>
	<i>GS8106620-316SS</i>	<i>KIT,1-1/4,T21,CE/CA/EP,316SS MET ZC2</i>	<i>1</i>
	<i>GS8106610</i>	<i>KIT,1-1/4,T21,TC/CA/VI ZC2 1512,215,252,325,43</i>	<i>1</i>
	<i>GS8107830</i>	<i>KIT,1-1/4,T21,SC/CA/VI ZC2</i>	<i>1</i>
	<i>GS8111170-316SS</i>	<i>KIT,1-1/4,T21,TC/SC/BU,316SS MET ZC2 1512,215,252,325,43</i>	<i>1</i>



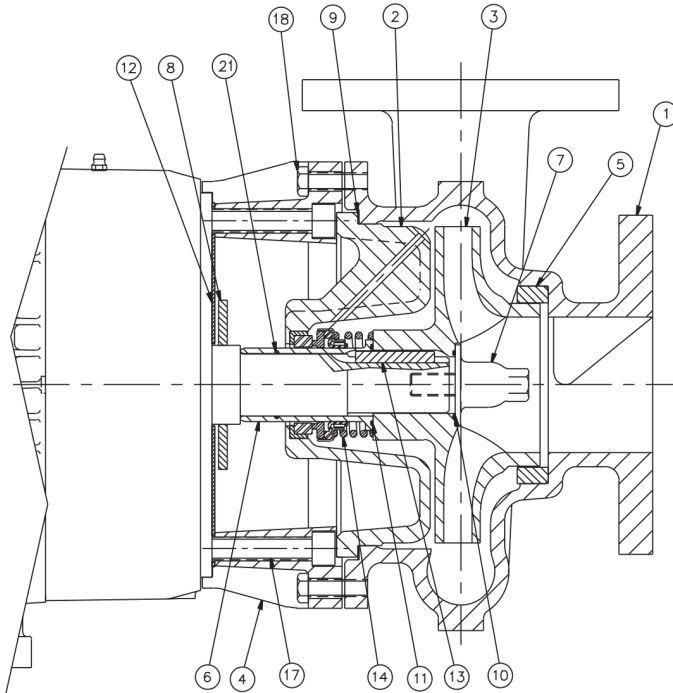
Ref #	Component
1	Casing
2	Cover
3	Impeller
4	Adapter
5	Wear Ring (Casing)
6	Shaft Sleeve
7	Impeller Screw
8	Slinger
9	Gasket, Casing
10	Gasket, Impeller Screw
11	O-Ring, Shaft Sleeve
12	Splashplate
13	Key, Impeller
14	Seal Kit
17	Capscrew (Motor/Adapter)
18	Capscrew (Casing/Adapter)
21*	O-Ring, Shaft Sleeve
22**	Wear Ring (Cover)

\* ZCH2 Only  
\*\* ZC2/ZCH2 4 x 3 Only

**Exploded View**

*Optional Items Shown in ITALICS*

Ref #	Component Item No.	Description	Qty Per
17	GX5077400	CAPSCRW,SH,1/2-13X1-3/4,BLK OX SCKT HD	4
18	GX5077100	CAPSCRW,HX,3/8-16X1,18-8SS HX HD	4
	GX5077200	CAPSCRW,HX,3/8-16X1-1/4,18-8SS HX HD	4



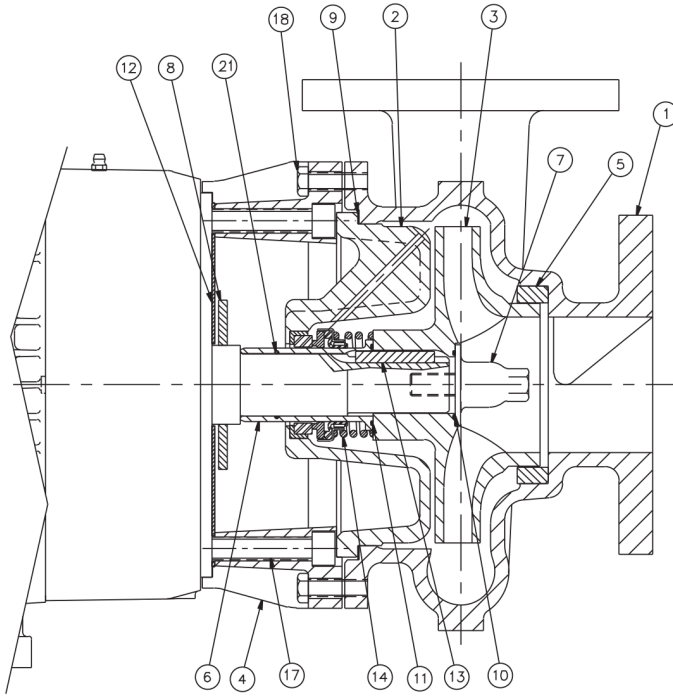
Ref #	Component
1	Casing
2	Cover
3	Impeller
4	Adapter
5	Wear Ring (Casing)
6	Shaft Sleeve
7	Impeller Screw
8	Slinger
9	Gasket, Casing
10	Gasket, Impeller Screw
11	O-Ring, Shaft Sleeve
12	Splashplate
13	Key, Impeller
14	Seal Kit
17	Capscrew (Motor/Adapter)
18	Capscrew (Casing/Adapter)
21*	O-Ring, Shaft Sleeve
22**	Wear Ring (Cover)

\* ZCH2 Only  
\*\* ZC2/ZCH2 4 x 3 Only

**Exploded View**

*Optional Items Shown in ITALICS*

Ref #	Component Item No.	Description	Qty Per
1	BV8400781	CASING,4X3,BZ ZC2	1
2	BC8302051	COVER,4X3,BZ ZC2	1
3	BI8203711	IMPELLER,4X3,BZ ZC2	1
4	GX8400951	ADAPTER,100 JM FRAME ZC2	1
	<i>SX8400952</i>	<i>ADAPTER,100 JM FRAME,SS ZC2</i>	1
5	BW8100541	RING,WEAR,EC,4X3,BZ ZC2 ZCH2 4X3	1
6	BX8103722	SLEEVE,SHFT,BZ ZC2	1
7	BI8101271	SCREW,IMP,BZ EC/ZC2	1
8	GX5042301	SLINGER,1-7/32X3-1/4X5/32 80 DUR (180JM-210JM)	1
	<i>GX5042300</i>	<i>SLINGER,1-1/8X3-1/4X5/32 80 DUR (140JM)</i>	1
9	GX5041200	GASKET,7-47/64X7-1/8X 1/32 ,N-8090	1
10	GX5040500	GASKET,IMP SCRW,7/8X1-3/8X1/32	1
11	GX5098300	O-RING,T21,1-1/4,BUNA,SLV	1
	<i>GX5098301</i>	<i>O-RING,T21,1-1/4,EPDM,SLV (1-1/4 X 1-3/8 X 1/16)</i>	1
	<i>GX5098302</i>	<i>O-RING,43/252/325,VIT DC3</i>	1
12	GX5091600	SPLASHPLATE,EC2/KC2/RC2/ZC2,SS FR143-184	1
13	GX5051300	KEY,IMP, .187SQX1.5 EC KC RC ZC	1
14	GS8103410	KIT,1-1/4,T21,CE/CA/BU ZC2	1
	<i>GS8103410-316SS</i>	<i>KIT,1-1/4,T21,CE/CA/BU,316SS MET ZC2</i>	1
	<i>GS8105960</i>	<i>KIT,1-1/4,T21,CE/CA/VI ZC2</i>	1
	<i>GS8105960-316SS</i>	<i>KIT,1-1/4,T21,CE/CA/VI,316SS MET ZC2</i>	1
	<i>GS8106590</i>	<i>KIT,1-1/4,T21,NI/CA/BU ZC2</i>	1
	<i>GS8106590-316SS</i>	<i>KIT,1-1/4,T21,NI/CA/BU,316SS MET ZC2</i>	1
	<i>GS8106620</i>	<i>KIT,1-1/4,T21,CE/CA/EP ZC2</i>	1
	<i>GS8106620-316SS</i>	<i>KIT,1-1/4,T21,CE/CA/EP,316SS MET ZC2</i>	1
	<i>GS8106610</i>	<i>KIT,1-1/4,T21,TC/CA/VI ZC2 1512,215,252,325,43</i>	1
	<i>GS8107830</i>	<i>KIT,1-1/4,T21,SC/CA/VI ZC2</i>	1



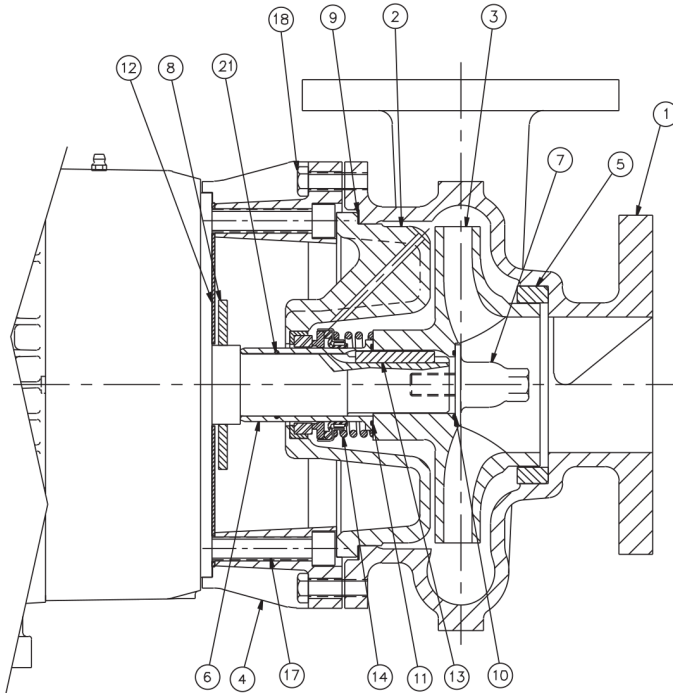
Ref #	Component
1	Casing
2	Cover
3	Impeller
4	Adapter
5	Wear Ring (Casing)
6	Shaft Sleeve
7	Impeller Screw
8	Slinger
9	Gasket, Casing
10	Gasket, Impeller Screw
11	O-Ring, Shaft Sleeve
12	Splashplate
13	Key, Impeller
14	Seal Kit
17	Capscrew (Motor/Adapter)
18	Capscrew (Casing/Adapter)
21*	O-Ring, Shaft Sleeve
22**	Wear Ring (Cover)

\* ZCH2 Only  
\*\* ZC2/ZCH2 4 x 3 Only

**Exploded View**

*Optional Items Shown in ITALICS*

Ref #	Component Item No.	Description	Qty Per
14	<i>GS8111170-316SS</i>	<i>KIT, 1-1/4, T21, TC/SC/BU, 316SS MET ZC2 1512, 215, 252, 325, 43</i>	1
17	<b>GX5077100</b>	<b>CAPSCRW, HX, 3/8-16X1, 18-8SS HX HD</b>	4
18	<b>GX5077100</b>	<b>CAPSCRW, HX, 3/8-16X1, 18-8SS HX HD</b>	8
22	<b>BW8100541</b>	<b>RING, WEAR, EC, 4X3, BZ ZC2 ZCH2 4X3</b>	1



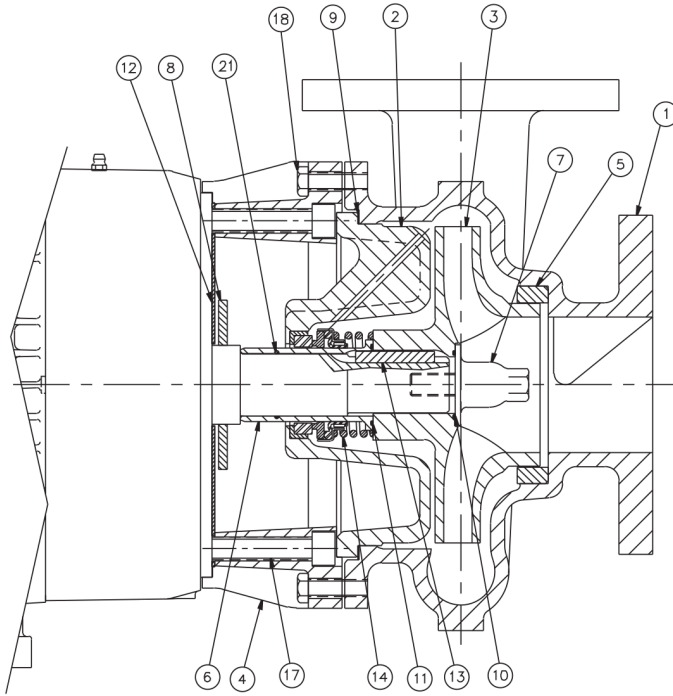
Ref #	Component
1	Casing
2	Cover
3	Impeller
4	Adapter
5	Wear Ring (Casing)
6	Shaft Sleeve
7	Impeller Screw
8	Slinger
9	Gasket, Casing
10	Gasket, Impeller Screw
11	O-Ring, Shaft Sleeve
12	Splashplate
13	Key, Impeller
14	Seal Kit
17	Capscrew (Motor/Adapter)
18	Capscrew (Casing/Adapter)
21*	O-Ring, Shaft Sleeve
22**	Wear Ring (Cover)

\* ZCH2 Only  
\*\* ZC2/ZCH2 4 x 3 Only

**Exploded View**

*Optional Items Shown in ITALICS*

Ref #	Component Item No.	Description	Qty Per
1	BV8400781	CASING,4X3,BZ ZC2	1
2	BC8302051	COVER,4X3,BZ ZC2	1
3	BI8203711	IMPELLER,4X3,BZ ZC2	1
4	GX8301391	ADAPTER,210 JM FRAME ZC2	1
	<i>SX8301392</i>	<i>ADAPTER,210 JM FRAME,SS ZC2</i>	1
5	BW8100541	RING,WEAR,EC,4X3,BZ ZC2 ZCH2 4X3	1
6	BX8103722	SLEEVE,SHFT,BZ ZC2	1
7	BI8101271	SCREW,IMP,BZ EC/ZC2	1
8	GX5042301	SLINGER,1-7/32X3-1/4X5/32 80 DUR (180JM-210JM)	1
9	GX5041200	GASKET,7-47/64X7-1/8X 1/32 ,N-8090	1
10	GX5040500	GASKET,IMP SCRW,7/8X1-3/8X1/32	1
11	GX5098300	O-RING,T21,1-1/4,BUNA,SLV	1
	<i>GX5098301</i>	<i>O-RING,T21,1-1/4,EPDM,SLV (1-1/4 X 1-3/8 X 1/16)</i>	1
	<i>GX5098302</i>	<i>O-RING,43/252/325,VIT DC3</i>	1
12	GX5091400	SPLASHPLATE,EC2/KC2/RC2/ZC2,SS FR213-256	1
13	GX5051300	KEY,IMP, .187SQX1.5 EC KC RC ZC	1
14	GS8103410	KIT,1-1/4,T21,CE/CA/BU ZC2	1
	<i>GS8103410-316SS</i>	<i>KIT,1-1/4,T21,CE/CA/BU,316SS MET ZC2</i>	1
	<i>GS8105960</i>	<i>KIT,1-1/4,T21,CE/CA/VI ZC2</i>	1
	<i>GS8105960-316SS</i>	<i>KIT,1-1/4,T21,CE/CA/VI,316SS MET ZC2</i>	1
	<i>GS8106590</i>	<i>KIT,1-1/4,T21,NI/CA/BU ZC2</i>	1
	<i>GS8106590-316SS</i>	<i>KIT,1-1/4,T21,NI/CA/BU,316SS MET ZC2</i>	1
	<i>GS8106620</i>	<i>KIT,1-1/4,T21,CE/CA/EP ZC2</i>	1
	<i>GS8106620-316SS</i>	<i>KIT,1-1/4,T21,CE/CA/EP,316SS MET ZC2</i>	1
	<i>GS8106610</i>	<i>KIT,1-1/4,T21,TC/CA/VI ZC2 1512,215,252,325,43</i>	1
	<i>GS8107830</i>	<i>KIT,1-1/4,T21,SC/CA/VI ZC2</i>	1
	<i>GS8111170-316SS</i>	<i>KIT,1-1/4,T21,TC/SC/BU,316SS MET ZC2 1512,215,252,325,43</i>	1



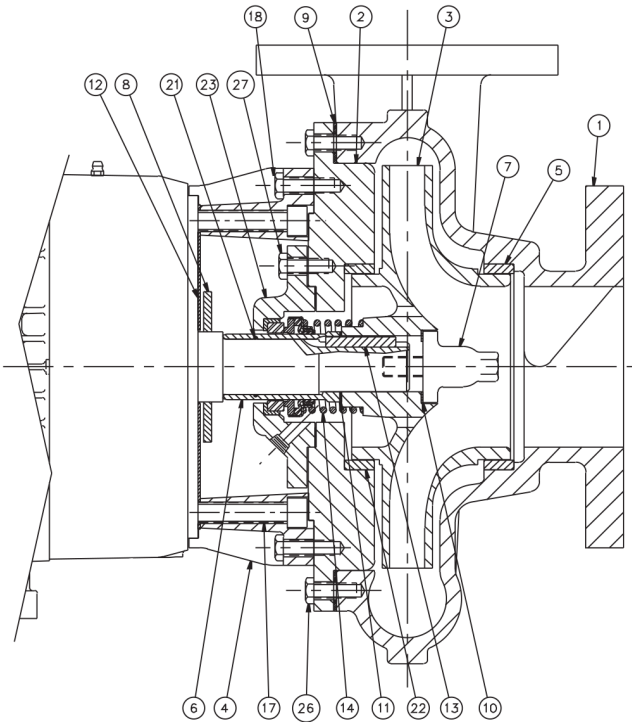
Ref #	Component
1	Casing
2	Cover
3	Impeller
4	Adapter
5	Wear Ring (Casing)
6	Shaft Sleeve
7	Impeller Screw
8	Slinger
9	Gasket, Casing
10	Gasket, Impeller Screw
11	O-Ring, Shaft Sleeve
12	Splashplate
13	Key, Impeller
14	Seal Kit
17	Capscrew (Motor/Adapter)
18	Capscrew (Casing/Adapter)
21*	O-Ring, Shaft Sleeve
22**	Wear Ring (Cover)

\* ZCH2 Only  
\*\* ZC2/ZCH2 4 x 3 Only

**Exploded View**

*Optional Items Shown in ITALICS*

Ref #	Component Item No.	Description	Qty Per
17	<b>GX5077400</b>	<b>CAPSCRW,SH,1/2-13X1-3/4,BLK OX SCKT HD</b>	<b>4</b>
18	<b>GX5077100</b>	<b>CAPSCRW,HX,3/8-16X1,18-8SS HX HD</b>	<b>4</b>
	<b>GX5077200</b>	<b>CAPSCRW,HX,3/8-16X1-1/4,18-8SS HX HD</b>	<b>4</b>
22	<b>BW8100541</b>	<b>RING,WEAR,EC,4X3,BZ ZC2 ZCH2 4X3</b>	<b>1</b>



Ref #	Component
1	Casing
2	Cover
3	Impeller
4	Adapter
5	Wear Ring (Casing)
6	Shaft Sleeve
7	Impeller Screw
8	Slinger
9	Gasket, Casing
10	Gasket, Impeller Screw
11	O-Ring, Shaft Sleeve
12	Splashplate
13	Key, Impeller
14	Seal Kit
17	Capscrew (Motor/Adapter)
18	Capscrew (Cover/Adapter)
21*	O-Ring, Shaft Sleeve
22**	Wear Ring (Cover)
23	Stuffing Box
24	Gasket, Stuffing Box
26	Capscrew (Casing/Cover)
27	Capscrew (Cover/Stuffing Box)

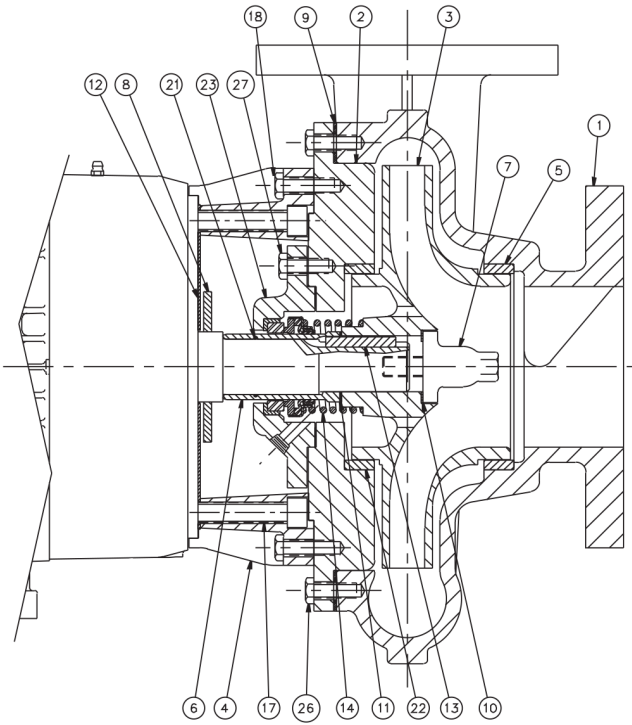
\* ZCH2 Only

\*\* Not Required for 1-1/2 x 1-1/2 Models

**Exploded View**

*Optional Items Shown in ITALICS*

Ref #	Component Item No.	Description	Qty Per
1	BV8402591	CASING,4X3C,BZ ZC2	1
2	BC8402601	COVER,4X3C,BZ,SGL SEAL	1
3	BI8304351	IMPELLER,4X3C,BZ ZC2	1
4	GX8400951	ADAPTER,100 JM FRAME ZC2	1
	<i>SX8400952</i>	<i>ADAPTER,100 JM FRAME,SS ZC2</i>	<i>1</i>
5	BW8107681	RING,WEAR,3X2 4X3 L ,BZ,STUFF BX ZC2/ZCH2	1
6	BX8107751	SLEEVE,SHFT,4X3L,BZ ZC2	1
7	BI8107741	SCREW,32/43C/43L 3310,IMP,BZ ZC2 RC2	1
8	GX5042301	SLINGER,1-7/32X3-1/4X5/32 80 DUR (180JM-210JM)	1
9	GX5041300	GASKET,9-1/4 X 10 X1/16,N-8090	1
10	GX5040500	GASKET,IMP SCRW,7/8X1-3/8X1/32	1
11	GX5040000	GASKET,7/8X1-1/2X1/32,N-8090	1
12	GX5091600	SPLASHPLATE,EC2/KC2/RC2/ZC2,SS FR143-184	1
13	GX5051300	KEY,IMP, .187SQX1.5 EC KC RC ZC	1
14	GS8107860	KIT,1-1/4,3X2,T21,CA/CE/BU ZC2	1
	<i>GS8108180</i>	<i>KIT,1-1/4,T21,CE/CA/VI 3X2, 4X3L ZC2</i>	<i>1</i>
17	GX5077100	CAPSCRW,HX,3/8-16X1,18-8SS HX HD	4
18	GX5077100	CAPSCRW,HX,3/8-16X1,18-8SS HX HD	8
21	GX5038500	O-RING, .989X1.29X.070,BUNA 70 DUR, IMP SCRW	1
	<i>GX5038502</i>	<i>O-RING,T21,1-1/4,EPDM (2-022)</i>	<i>1</i>
	<i>GX5038501</i>	<i>O-RING,43/252/325,VIT,FDA CMPL DC3 ZC2</i>	<i>1</i>
22	BW8107681	RING,WEAR,3X2 4X3 L ,BZ,STUFF BX ZC2/ZCH2	1
23	BX8204301	STUFFING BOX,4X3L,BZ,JM,T21/T1 ZC2	1
24	GX5041900	GASKET,4X3X1/32,N-8090,STFBX STUFFING BOX	1
26	GX5077100	CAPSCRW,HX,3/8-16X1,18-8SS HX HD	12
27	GX5077100	CAPSCRW,HX,3/8-16X1,18-8SS HX HD	4



Ref #	Component
1	Casing
2	Cover
3	Impeller
4	Adapter
5	Wear Ring (Casing)
6	Shaft Sleeve
7	Impeller Screw
8	Slinger
9	Gasket, Casing
10	Gasket, Impeller Screw
11	O-Ring, Shaft Sleeve
12	Splashplate
13	Key, Impeller
14	Seal Kit
17	Capscrew (Motor/Adapter)
18	Capscrew (Cover/Adapter)
21*	O-Ring, Shaft Sleeve
22**	Wear Ring (Cover)
23	Stuffing Box
24	Gasket, Stuffing Box
26	Capscrew (Casing/Cover)
27	Capscrew (Cover/Stuffing Box)

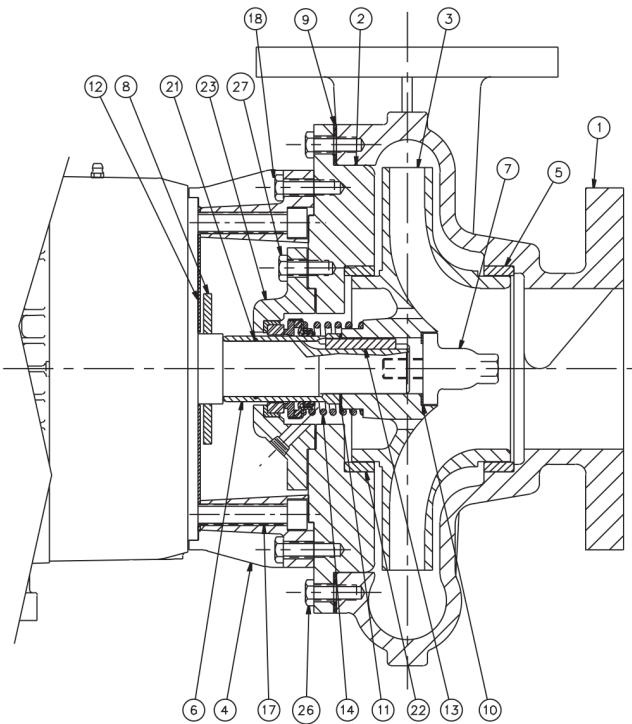
\* ZCH2 Only

\*\* Not Required for 1-1/2 x 1-1/2 Models

**Exploded View**

*Optional Items Shown in ITALICS*

Ref #	Component Item No.	Description	Qty Per
1	BV8402591	CASING,4X3C,BZ ZC2	1
2	BC8402601	COVER,4X3C,BZ,SGL SEAL	1
3	BI8304351	IMPELLER,4X3C,BZ ZC2	1
4	GX8301391	ADAPTER,210 JM FRAME ZC2	1
	<i>SX8301392</i>	<i>ADAPTER,210 JM FRAME,SS ZC2</i>	<i>1</i>
5	BW8107681	RING,WEAR,3X2 4X3 L ,BZ,STUFF BX ZC2/ZCH2	1
6	BX8107751	SLEEVE,SHFT,4X3L,BZ ZC2	1
7	BI8107741	SCREW,32 43C 43L 3310,IMP,BZ ZC2 RC2	1
8	GX5042301	SLINGER,1-7 32X3-1 4X5 32 80 DUR (180JM-210JM)	1
9	GX5041300	GASKET,9-1/4 X 10 X1 16,N-8090	1
10	GX5040500	GASKET,IMP SCRW,7 8X1-3 8X1 32	1
11	GX5040000	GASKET,7 8X1-1 2X1 32,N-8090	1
12	GX5091400	SPLASHPLATE,EC2 KC2 RC2 ZC2,SS FR213-256	1
13	GX5051300	KEY,IMP, .187SQX1.5 EC KC RC ZC	1
14	GS8107860	KIT,1-1/4,3X2,T21,CA/CE/BU ZC2	1
	<i>GS8108180</i>	<i>KIT,1-1/4,T21,CE/CA/VI 3X2, 4X3L ZC2</i>	<i>1</i>
17	GX5077400	CAPSCRW,SH,1 2-13X1-3 4,BLK OX SCKT HD	4
18	GX5077100	CAPSCRW,HX,3 8-16X1,18-8SS HX HD	4
	GX5077200	CAPSCRW,HX,3 8-16X1-1 4,18-8SS HX HD	4
21	GX5038500	O-RING, .989X1.29X.070,BUNA 70 DUR, IMP SCRW	1
	<i>GX5038502</i>	<i>O-RING,T21,1-1/4,EPDM (2-022)</i>	<i>1</i>
	<i>GX5038501</i>	<i>O-RING,43 252 325,VIT,FDA CMPL DC3 ZC2</i>	<i>1</i>
22	BW8107681	RING,WEAR,3X2 4X3 L ,BZ,STUFF BX ZC2/ZCH2	1
23	BX8204301	STUFFING BOX,4X3L,BZ,JM,T21/T1 ZC2	1
24	GX5041900	GASKET,4X3X1 32,N-8090,STFBX STUFFING BOX	1
26	GX5077100	CAPSCRW,HX,3 8-16X1,18-8SS HX HD	12
27	GX5077100	CAPSCRW,HX,3 8-16X1,18-8SS HX HD	4



Ref #	Component
1	Casing
2	Cover
3	Impeller
4	Adapter
5	Wear Ring (Casing)
6	Shaft Sleeve
7	Impeller Screw
8	Slinger
9	Gasket, Casing
10	Gasket, Impeller Screw
11	O-Ring, Shaft Sleeve
12	Splashplate
13	Key, Impeller
14	Seal Kit
17	Capscrew (Motor/Adapter)
18	Capscrew (Cover/Adapter)
21*	O-Ring, Shaft Sleeve
22**	Wear Ring (Cover)
23	Stuffing Box
24	Gasket, Stuffing Box
26	Capscrew (Casing/Cover)
27	Capscrew (Cover/Stuffing Box)

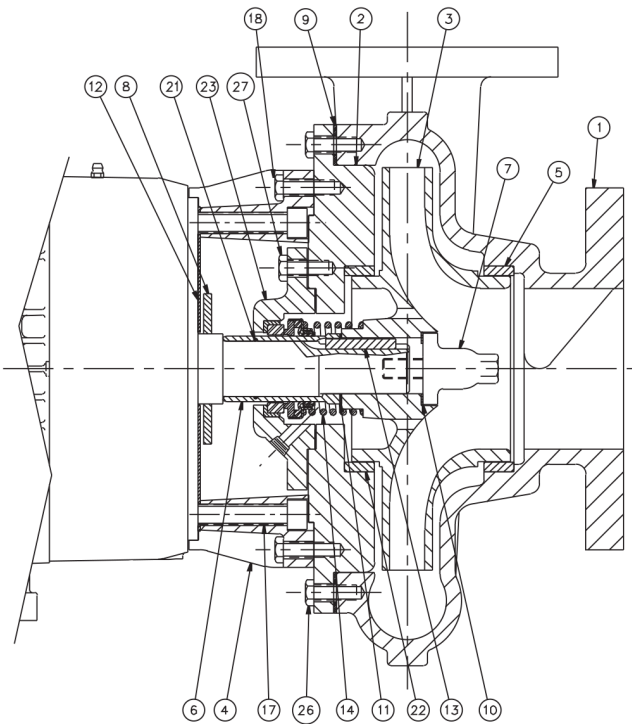
\* ZCH2 Only

\*\* Not Required for 1-1/2 x 1-1/2 Models

**Exploded View**

*Optional Items Shown in ITALICS*

Ref #	Component Item No.	Description	Qty Per
1	BV8402401	CASING,4X3L,BZ ZC2	1
2	BC8402261	COVER,32/43L/3310,JM,BZ ZC2 ZCH2 SGL SEAL	1
3	BI8303701	IMPELLER,4X3L,BZ,T21 SEAL ZC2	1
4	GX8301391	ADAPTER,210 JM FRAME ZC2	1
	<i>SX8301392</i>	<i>ADAPTER,210 JM FRAME,SS ZC2</i>	<i>1</i>
5	BW8107681	RING,WEAR,3X2 4X3 L ,BZ,STUFF BX ZC2 ZCH2	1
6	BX8107751	SLEEVE,SHFT,4X3L,BZ ZC2	1
7	BI8107741	SCREW,32/43C/43L/3310,IMP,BZ ZC2 RC2	1
8	GX5042301	SLINGER,1-7/32X3-1/4X5/32 80 DUR (180JM-210JM)	1
9	GX5106200	GASKET,3X2,CVR,CASING 10-1/8X 12-1/8 X 1/16 N-8090	1
10	GX5040500	GASKET,IMP SCRW,7/8X1-3/8X1/32	1
11	GX5040000	GASKET,7/8X1-1/2X1/32,N-8090	1
12	GX5091400	SPLASHPLATE,EC2/KC2/RC2/ZC2,SS FR213-256	1
13	GX5051300	KEY,IMP,,187SQX1.5 EC KC RC ZC	1
14	GS8107860	KIT,1-1/4,3X2,T21,CA/CE/BU ZC2	1
	<i>GS8108180</i>	<i>KIT,1-1/4,T21,CE/CA/VI 3X2, 4X3L ZC2</i>	<i>1</i>
17	GX5077400	CAPSCRW,SH,1/2-13X1-3/4,BLK OX SCKT HD	4
18	GX5077100	CAPSCRW,HX,3/8-16X1,18-8SS HX HD	4
	GX5077200	CAPSCRW,HX,3/8-16X1-1/4,18-8SS HX HD	4
21	GX5038500	O-RING,,989X1.29X.070,BUNA 70 DUR, IMP SCRW	1
	<i>GX5038502</i>	<i>O-RING,T21,1-1/4,EPDM (2-022)</i>	<i>1</i>
	<i>GX5038501</i>	<i>O-RING,43/252/325,VIT,FDA CMPL DC3 ZC2</i>	<i>1</i>
22	BW8107681	RING,WEAR,3X2 4X3 L ,BZ,STUFF BX ZC2 ZCH2	1
23	BX8204301	STUFFING BOX,4X3L,BZ,JM,T21/T1 ZC2	1
24	GX5041900	GASKET,4X3X1/32,N-8090,STFBX STUFFING BOX	1
26	GX5077100	CAPSCRW,HX,3/8-16X1,18-8SS HX HD	12
27	GX5077100	CAPSCRW,HX,3/8-16X1,18-8SS HX HD	4



Ref #	Component
1	Casing
2	Cover
3	Impeller
4	Adapter
5	Wear Ring (Casing)
6	Shaft Sleeve
7	Impeller Screw
8	Slinger
9	Gasket, Casing
10	Gasket, Impeller Screw
11	O-Ring, Shaft Sleeve
12	Splashplate
13	Key, Impeller
14	Seal Kit
17	Capscrew (Motor/Adapter)
18	Capscrew (Cover/Adapter)
21*	O-Ring, Shaft Sleeve
22**	Wear Ring (Cover)
23	Stuffing Box
24	Gasket, Stuffing Box
26	Capscrew (Casing/Cover)
27	Capscrew (Cover/Stuffing Box)

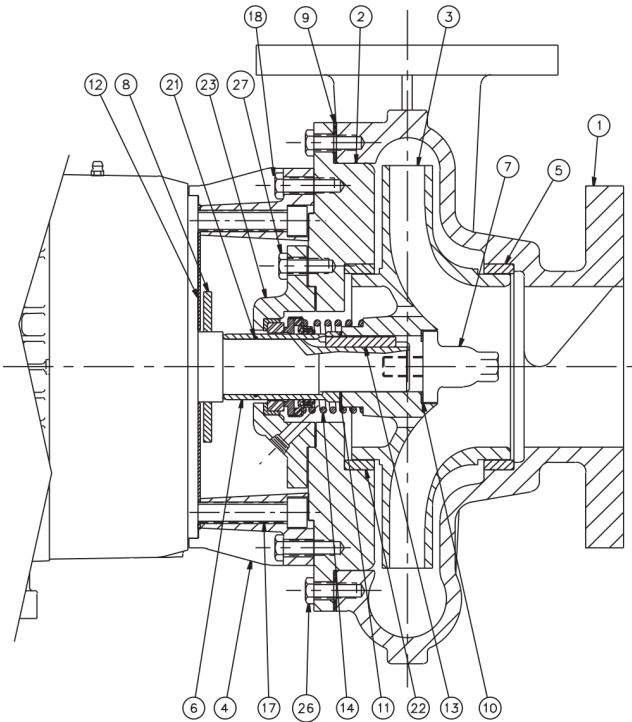
\* ZCH2 Only

\*\* Not Required for 1-1/2 x 1-1/2 Models

**Exploded View**

*Optional Items Shown in ITALICS*

Ref #	Component Item No.	Description	Qty Per
1	BV8404381	CASING,5X4P,BZ ZCH2	1
2	BC8404591	COVER,5X4P,BZ ZCH2	1
3	BI8404421	IMPELLER,5X4P ZC2	1
4	GX8301391	ADAPTER,210 JM FRAME ZC2	1
	<i>SX8301392</i>	<i>ADAPTER,210 JM FRAME,SS ZC2</i>	<i>1</i>
5	BW8110531	RING,WEAR,5X4P,BZ ZC2 ZCH2 5X4P	1
6	BX8103722	SLEEVE,SHFT,BZ ZC2	1
7	BI8101271	SCREW,IMP,BZ EC/ZC2	1
8	GX5042301	SLINGER,1-7/32X3-1/4X5/32 80 DUR (180JM-210JM)	1
9	GX8205561	GASKET,54P,CVR ZC2 ZCH2	1
10	GX5102500	O-RING,54P/215/252/327/428,BUN MC3	1
11	GX5098300	O-RING,T21,1-1/4,BUNA,SLV	1
	<i>GX5098301</i>	<i>O-RING,T21,1-1/4,EPDM,SLV (1-1/4 X 1-3/8 X 1/16)</i>	<i>1</i>
	<i>GX5098302</i>	<i>O-RING,43/252/325,VIT DC3</i>	<i>1</i>
12	GX5091400	SPLASHPLATE,EC2 KC2 RC2 ZC2,SS FR213-256	1
13	GX5051300	KEY,IMP, .187SQX1.5 EC KC RC ZC	1
14	GS8110708	KIT,1-1/4,54P,T21,CE CA BU ZC2	1
17	GX5077400	CAPSCRW,SH,1/2-13X1-3/4,BLK OX SCKT HD	4
18	GX5077100	CAPSCRW,HX,3/8-16X1,18-8SS HX HD	4
	GX5077200	CAPSCRW,HX,3/8-16X1-1/4,18-8SS HX HD	4
22	BW8110531	RING,WEAR,5X4P,BZ ZC2 ZCH2 5X4P	1
23	BX8204301	STUFFING BOX,4X3L,BZ,JM,T21/T1 ZC2	1
24	GX5041900	GASKET,4X3X1/32,N-8090,STFBX STUFFING BOX	1
26	SC1710H-SS	CAPSCRW,HX,1/2-13X1,18-8SS HX HD	8
27	GX5077100	CAPSCRW,HX,3/8-16X1,18-8SS HX HD	4



Ref #	Component
1	Casing
2	Cover
3	Impeller
4	Adapter
5	Wear Ring (Casing)
6	Shaft Sleeve
7	Impeller Screw
8	Slinger
9	Gasket, Casing
10	Gasket, Impeller Screw
11	O-Ring, Shaft Sleeve
12	Splashplate
13	Key, Impeller
14	Seal Kit
17	Capscrew (Motor/Adapter)
18	Capscrew (Cover/Adapter)
21*	O-Ring, Shaft Sleeve
22**	Wear Ring (Cover)
23	Stuffing Box
24	Gasket, Stuffing Box
26	Capscrew (Casing/Cover)
27	Capscrew (Cover/Stuffing Box)

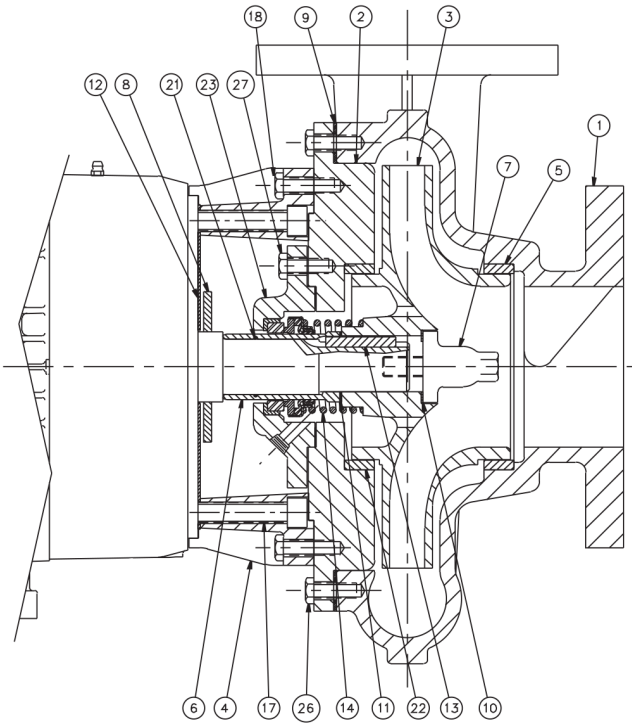
\* ZCH2 Only

\*\* Not Required for 1-1/2 x 1-1/2 Models

**Exploded View**

*Optional Items Shown in ITALICS*

Ref #	Component Item No.	Description	Qty Per
1	BV8402451	CASING,1-1/2X1-1/2,BZ ZC2	1
2	BC8402181	COVER,22/1515,JM,SGL SEAL,BZ ZC2 ZCH2	1
3	BI8303861	IMPELLER,1-1/2X1-1/2,BZ ZCH2	1
4	GX8401251	ADAPTER,250 JM FRAME ZCH2	1
	<i>SX8401252</i>	<i>ADAPTER,250 JM FRAME,SS NS ZCH2</i>	<i>1</i>
5	BW8101561	RING,WEAR,1-1/2 SUCTION,BZ ZC ZCH 1-1/2X1-1/2	1
6	BX8107641	SLEEVE,SHFT,4X3L,BZ,JM FRM ZCH2	1
7	BI8102721	SCREW,22/43/66/325/1515,IMP,BZ ECH/ZCH	1
8	GX5098700	SLINGER,1-23/32X3-3/4X 3/16 ZCH2	1
9	GX5041300	GASKET,9-1/4 X 10 X1/16,N-8090	1
10	GX5041600	GASKET,1-1/4X1-3/4X1/321/4 KEYSLOT,SLV/IMP	1
11	GX5099300	O-RING,1-3/8X1-1/2X1/16,BUNA SLEEVE	1
	<i>GX5099301</i>	<i>O-RING,T1 T21,1-5/8,EPDM,SLV (1-3/8 X 1-1/2 X 1/16)</i>	<i>1</i>
	<i>GX5099302</i>	<i>O-RING,33/43,VIT,FDA COMPL DCH3</i>	<i>1</i>
12	GX5091400	SPLASHPLATE,EC2/KC2/RC2/ZC2,SS FR213-256	1
13	GX5051200	KEY,IMPLR/SLV,2.0X.25X.25 304-SS	1
14	GS8107720	KIT,1-5/8,22,T21L,CE/CA/BU ZCH2	1
	<i>GS8107720-316SS</i>	<i>KIT,1-5/8,22,T21L,CE/CA/BU,316 SS MET ZCH2</i>	<i>1</i>
	<i>GS8107760</i>	<i>KIT,1-5/8,T21L,CE/CA/VI ZCH2</i>	<i>1</i>
	<i>GS8111210-316SS</i>	<i>KIT,1-5/8,T21L,TC/SC/BU,316SS MET ZCH2 (2X2,43C)</i>	<i>1</i>
17	GX5077500	CAPSCRW,SH,1/2-13X3,BLK OX SCKT HD	4
18	GX5077200	CAPSCRW,HX,3/8-16X1-1/4,18-8SS HX HD	8
21	GX5099300	O-RING,1-3/8X1-1/2X1/16,BUNA SLEEVE	1
	<i>GX5099301</i>	<i>O-RING,T1 T21,1-5/8,EPDM,SLV (1-3/8 X 1-1/2 X 1/16)</i>	<i>1</i>
	<i>GX5099302</i>	<i>O-RING,33/43,VIT,FDA COMPL DCH3</i>	<i>1</i>
22	BW8101561	RING,WEAR,1-1/2 SUCTION,BZ ZC ZCH 1-1/2X1-1/2	1
23	BX8204231	STUFFING BOX,4X3L,BZ,JM,T21/T1 ZCH2	1



Ref #	Component
1	Casing
2	Cover
3	Impeller
4	Adapter
5	Wear Ring (Casing)
6	Shaft Sleeve
7	Impeller Screw
8	Slinger
9	Gasket, Casing
10	Gasket, Impeller Screw
11	O-Ring, Shaft Sleeve
12	Splashplate
13	Key, Impeller
14	Seal Kit
17	Capscrew (Motor/Adapter)
18	Capscrew (Cover/Adapter)
21*	O-Ring, Shaft Sleeve
22**	Wear Ring (Cover)
23	Stuffing Box
24	Gasket, Stuffing Box
26	Capscrew (Casing/Cover)
27	Capscrew (Cover/Stuffing Box)

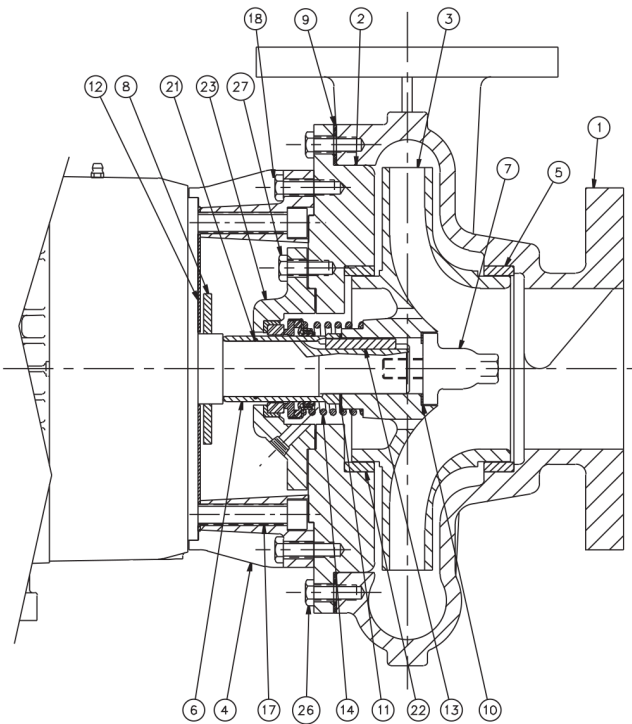
\* ZCH2 Only

\*\* Not Required for 1-1/2 x 1-1/2 Models

**Exploded View**

*Optional Items Shown in ITALICS*

Ref #	Component Item No.	Description	Qty Per
24	<i>GX5041900</i>	<i>GASKET,4X3X1/32,N-8090,STFBX STUFFING BOX</i>	1
26	<i>GX5077100</i>	<i>CAPSCRW,HX,3/8-16X1,18-8SS HX HD</i>	8
27	<i>GX5077100</i>	<i>CAPSCRW,HX,3/8-16X1,18-8SS HX HD</i>	4



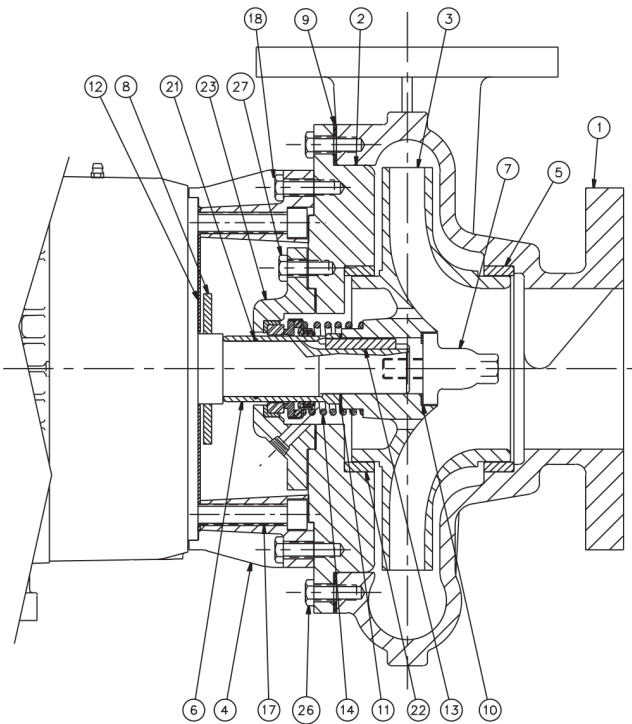
Ref #	Component
1	Casing
2	Cover
3	Impeller
4	Adapter
5	Wear Ring (Casing)
6	Shaft Sleeve
7	Impeller Screw
8	Slinger
9	Gasket, Casing
10	Gasket, Impeller Screw
11	O-Ring, Shaft Sleeve
12	Splashplate
13	Key, Impeller
14	Seal Kit
17	Capscrew (Motor/Adapter)
18	Capscrew (Cover/Adapter)
21*	O-Ring, Shaft Sleeve
22**	Wear Ring (Cover)
23	Stuffing Box
24	Gasket, Stuffing Box
26	Capscrew (Casing/Cover)
27	Capscrew (Cover/Stuffing Box)

\* ZCH2 Only  
\*\* Not Required for 1-1/2 x 1-1/2 Models

**Exploded View**

*Optional Items Shown in ITALICS*

Ref #	Component Item No.	Description	Qty Per
1	BV8402161	CASING,2X2,BZ ZC2	1
2	BC8402181	COVER,22/1515,JM,SGL SEAL,BZ ZC2 ZCH2	1
3	BI8302391	IMPELLER,2X2,BZ,T21 ZCH2	1
4	GX8401251	ADAPTER,250 JM FRAME ZCH2	1
	<i>SX8401252</i>	<i>ADAPTER,250 JM FRAME,SS NS ZCH2</i>	<i>1</i>
5	BW8100112	RING,WEAR,2 SUCTION,BZ ZC2 ZCH2 2X2	1
6	BX8107641	SLEEVE,SHFT,4X3L,BZ,JM FRM ZCH2	1
7	BI8102721	SCREW,22/43/66/325/1515,IMP,BZ ECH/ZCH	1
8	GX5098700	SLINGER,1-23/32X3-3/4X 3/16 ZCH2	1
9	GX5041300	GASKET,9-1/4 X 10 X1/16,N-8090	1
10	GX5041400	GASKET,IMP SCRW,1-1/4X1-13/16 X1/32	1
11	GX5041600	GASKET,1-1/4X1-3/4X1/321/4 KEYSLOT,SLV/IMP	1
12	GX5091400	SPLASHPLATE,EC2/KC2/RC2/ZC2,SS FR213-256	1
13	GX5051200	KEY,IMPLR/SLV,2.0X.25X.25 304-SS	1
14	GS8107720	KIT,1-5/8,22,T21L,CE/CA/BU ZCH2	1
	<i>GS8107720-316SS</i>	<i>KIT,1-5/8,22,T21L,CE/CA/BU,316 SS MET ZCH2</i>	<i>1</i>
	<i>GS8107760</i>	<i>KIT,1-5/8,T21L,CE/CA/VI ZCH2</i>	<i>1</i>
	<i>GS8111210-316SS</i>	<i>KIT,1-5/8,T21L,TC/SC/BU,316SS MET ZCH2 (2X2,43C)</i>	<i>1</i>
17	GX5077500	CAPSCRW,SH,1/2-13X3,BLK OX SCKT HD	4
18	GX5077200	CAPSCRW,HX,3/8-16X1-1/4,18-8SS HX HD	8
21	GX5099300	O-RING,1-3/8X1-1/2X1/16,BUNA SLEEVE	1
	<i>GX5099301</i>	<i>O-RING,T1 T21,1-5/8,EPDM,SLV (1-3/8 X 1-1/2 X 1/16)</i>	<i>1</i>
	<i>GX5099302</i>	<i>O-RING,33/43,VIT,FDA COMPL DCH3</i>	<i>1</i>
22	BW8100112	RING,WEAR,2 SUCTION,BZ ZC2 ZCH2 2X2	1
23	BX8204231	STUFFING BOX,4X3L,BZ,JM,T21/T1 ZCH2	1
24	GX5041900	GASKET,4X3X1/32,N-8090,STFBX STUFFING BOX	1
26	GX5077100	CAPSCRW,HX,3/8-16X1,18-8SS HX HD	8



Ref #	Component
1	Casing
2	Cover
3	Impeller
4	Adapter
5	Wear Ring (Casing)
6	Shaft Sleeve
7	Impeller Screw
8	Slinger
9	Gasket, Casing
10	Gasket, Impeller Screw
11	O-Ring, Shaft Sleeve
12	Splashplate
13	Key, Impeller
14	Seal Kit
17	Capscrew (Motor/Adapter)
18	Capscrew (Cover/Adapter)
21*	O-Ring, Shaft Sleeve
22**	Wear Ring (Cover)
23	Stuffing Box
24	Gasket, Stuffing Box
26	Capscrew (Casing/Cover)
27	Capscrew (Cover/Stuffing Box)

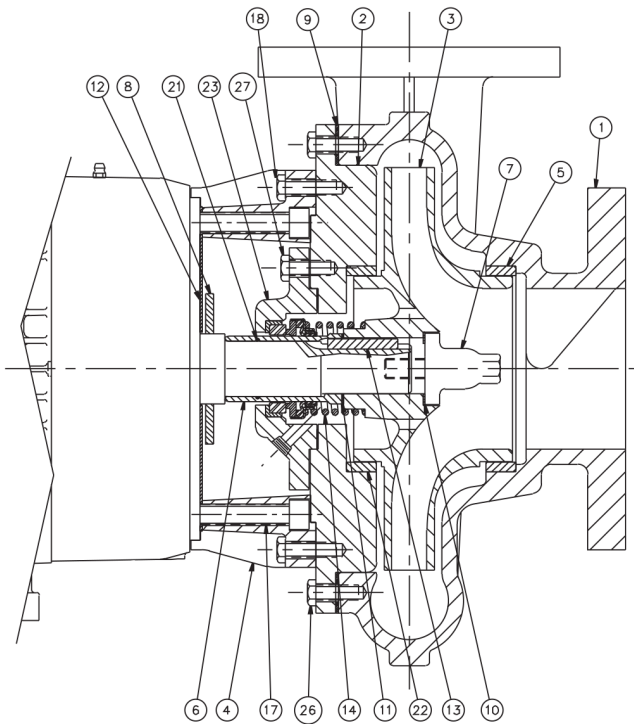
\* ZCH2 Only

\*\* Not Required for 1-1/2 x 1-1/2 Models

**Exploded View**

*Optional Items Shown in ITALICS*

Ref #	Component Item No.	Description	Qty Per
27	<i>GX5077100</i>	<i>CAPSCRW,HX,3/8-16X1,18-8SS HX HD</i>	<b>4</b>



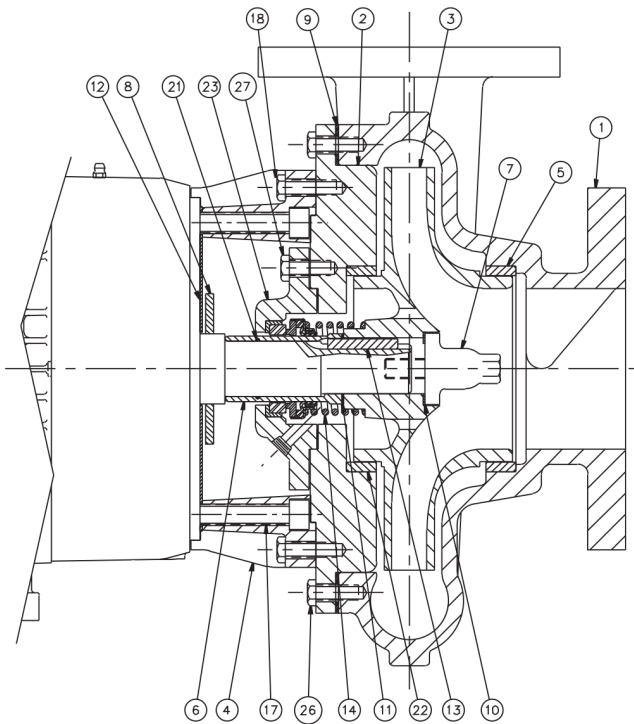
Ref #	Component
1	Casing
2	Cover
3	Impeller
4	Adapter
5	Wear Ring (Casing)
6	Shaft Sleeve
7	Impeller Screw
8	Slinger
9	Gasket, Casing
10	Gasket, Impeller Screw
11	O-Ring, Shaft Sleeve
12	Splashplate
13	Key, Impeller
14	Seal Kit
17	Capscrew (Motor/Adapter)
18	Capscrew (Cover/Adapter)
21*	O-Ring, Shaft Sleeve
22**	Wear Ring (Cover)
23	Stuffing Box
24	Gasket, Stuffing Box
26	Capscrew (Casing/Cover)
27	Capscrew (Cover/Stuffing Box)

\* ZCH2 Only  
\*\* Not Required for 1-1/2 x 1-1/2 Models

**Exploded View**

*Optional Items Shown in ITALICS*

Ref #	Component Item No.	Description	Qty Per
1	BV8402161	CASING,2X2,BZ ZC2	1
2	BC8402181	COVER,22/1515,JM,SGL SEAL,BZ ZC2 ZCH2	1
3	BI8302391	IMPELLER,2X2,BZ,T21 ZCH2	1
4	GX8401361	ADAPTER,280 JM FRAME ZCH2	1
5	BW8100112	RING,WEAR,2 SUCTION,BZ ZC2 ZCH2 2X2	1
6	BX8107641	SLEEVE,SHFT,4X3L,BZ,JM FRM ZCH2	1
7	BI8102721	SCREW,22/43/66/325/1515,IMP,BZ ECH/ZCH	1
8	GX5098700	SLINGER,1-23/32X3-3/4X 3/16 ZCH2	1
9	GX5041300	GASKET,9-1/4 X 10 X1/16,N-8090	1
10	GX5041400	GASKET,IMP SCRW,1-1/4X1-13/16 X1/32	1
11	GX5041600	GASKET,1-1/4X1-3/4X1/321/4 KEYSLOT,SLV/IMP	1
12	SX8101072	SPLASHPLATE,280JM FRM ZCH2	1
13	GX5051200	KEY,IMPLR/SLV,2.0X.25X.25 304-SS	1
14	GS8107720	KIT,1-5/8,22,T21L,CE/CA/BU ZCH2	1
	<i>GS8107720-316SS</i>	<i>KIT,1-5/8,22,T21L,CE/CA/BU,316 SS MET ZCH2</i>	<i>1</i>
	<i>GS8107760</i>	<i>KIT,1-5/8,T21L,CE/CA/VI ZCH2</i>	<i>1</i>
	<i>GS8111210-316SS</i>	<i>KIT,1-5/8,T21L,TC/SC/BU,316SS MET ZCH2 (2X2,43C)</i>	<i>1</i>
17	GX5076700	CAPSCRW,HX,5/8-11X1-1/2,18-8SS HX HD	4
18	GX5077100	CAPSCRW,HX,3/8-16X1,18-8SS HX HD	8
21	GX5099300	O-RING,1-3/8X1-1/2X1/16,BUNA SLEEVE	1
	<i>GX5099301</i>	<i>O-RING,T1 T21,1-5/8,EPDM,SLV (1-3/8 X 1-1/2 X 1/16)</i>	<i>1</i>
	<i>GX5099302</i>	<i>O-RING,33/43,VIT,FDA COMPL DCH3</i>	<i>1</i>
22	BW8100112	RING,WEAR,2 SUCTION,BZ ZC2 ZCH2 2X2	1
23	BX8204231	STUFFING BOX,4X3L,BZ,JM,T21/T1 ZCH2	1
24	GX5041900	GASKET,4X3X1/32,N-8090,STFBX STUFFING BOX	1
26	GX5077100	CAPSCRW,HX,3/8-16X1,18-8SS HX HD	8
27	GX5077100	CAPSCRW,HX,3/8-16X1,18-8SS HX HD	4



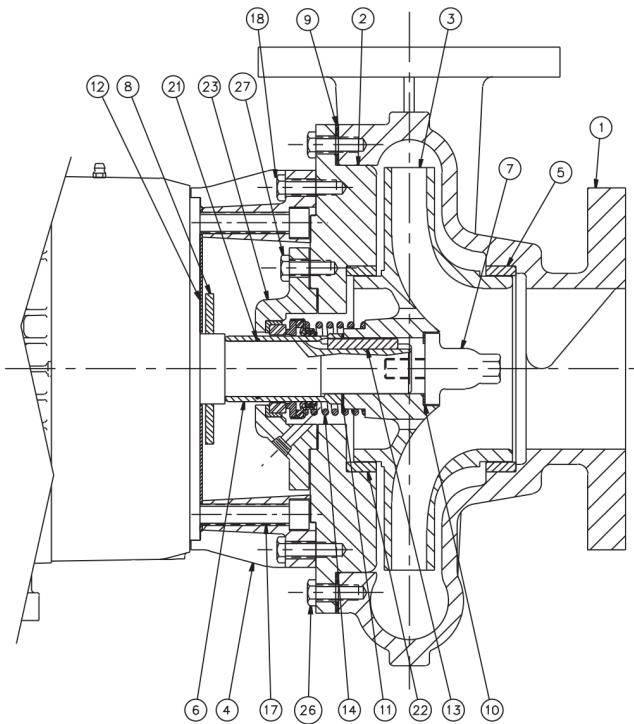
Ref #	Component
1	Casing
2	Cover
3	Impeller
4	Adapter
5	Wear Ring (Casing)
6	Shaft Sleeve
7	Impeller Screw
8	Slinger
9	Gasket, Casing
10	Gasket, Impeller Screw
11	O-Ring, Shaft Sleeve
12	Splashplate
13	Key, Impeller
14	Seal Kit
17	Capscrew (Motor/Adapter)
18	Capscrew (Cover/Adapter)
21*	O-Ring, Shaft Sleeve
22**	Wear Ring (Cover)
23	Stuffing Box
24	Gasket, Stuffing Box
26	Capscrew (Casing/Cover)
27	Capscrew (Cover/Stuffing Box)

\* ZCH2 Only  
\*\* Not Required for 1-1/2 x 1-1/2 Models

**Exploded View**

*Optional Items Shown in ITALICS*

Ref #	Component Item No.	Description	Qty Per
1	BV8402241	CASING,3X2,BRZ ZC2	1
2	BC8402261	COVER,32/43L/3310,JM,BZ ZC2 ZCH2 SGL SEAL	1
3	BI8303471	IMPELLER,3X2,BZ,T21 SEAL ZCH2	1
4	GX8401251	ADAPTER,250 JM FRAME ZCH2	1
	<i>SX8401252</i>	<i>ADAPTER,250 JM FRAME,SS NS ZCH2</i>	<i>1</i>
5	BW8107661	RING,WEAR,3X2,SUCTION,BZ ZC2 ZCH2 3X2	1
6	BX8107641	SLEEVE,SHFT,4X3L,BZ,JM FRM ZCH2	1
7	BI8107731	SCREW,IMP,ZCH2 4X3L,BZ ZCH2	1
8	GX5098700	SLINGER,1-23/32X3-3/4X 3/16 ZCH2	1
9	GX5106200	GASKET,3X2,CVR,CASING 10-1/8X 12-1/8 X 1/16 N-8090	1
10	GX5041400	GASKET,IMP SCRW,1-1/4X1-13/16 X1/32	1
11	GX5041600	GASKET,1-1/4X1-3/4X1/32 1/4 KEYSLOT,SLV/IMP	1
12	GX5091400	SPLASHPLATE,EC2/KC2/RC2/ZC2,SS FR213-256	1
13	GX5051200	KEY,IMPLR/SLV,2.0X.25X.25 304-SS	1
14	GS8107770	KIT,1-5/8,T21L,CE/CA/BU ZCH2 32	1
	<i>GS8107770-316SS</i>	<i>KIT,1-5/8,32,T21L,CE/CA/BU 316SS MET ZCH2</i>	<i>1</i>
	<i>GS8107780</i>	<i>KIT,1-5/8,T21,CE/CA/VI ZCH2 43L</i>	<i>1</i>
17	GX5077500	CAPSCRW,SH,1/2-13X3,BLK OX SCKT HD	4
18	GX5077200	CAPSCRW,HX,3/8-16X1-1/4,18-8SS HX HD	8
21	GX5099300	O-RING,1-3/8X1-1/2X1/16,BUNA SLEEVE	1
	<i>GX5099301</i>	<i>O-RING,T1 T21,1-5/8,EPDM,SLV (1-3/8 X 1-1/2 X 1/16)</i>	<i>1</i>
	<i>GX5099302</i>	<i>O-RING,33/43,VIT,FDA COMPL DCH3</i>	<i>1</i>
22	BW8107681	RING,WEAR,3X2 4X3 L ,BZ,STUFF BX ZC2 ZCH2	1
23	BX8204231	STUFFING BOX,4X3L,BZ,JM,T21/T1 ZCH2	1
24	GX5041900	GASKET,4X3X1/32,N-8090,STFBX STUFFING BOX	1
26	GX5077100	CAPSCRW,HX,3/8-16X1,18-8SS HX HD	12
27	GX5077100	CAPSCRW,HX,3/8-16X1,18-8SS HX HD	4



Ref #	Component
1	Casing
2	Cover
3	Impeller
4	Adapter
5	Wear Ring (Casing)
6	Shaft Sleeve
7	Impeller Screw
8	Slinger
9	Gasket, Casing
10	Gasket, Impeller Screw
11	O-Ring, Shaft Sleeve
12	Splashplate
13	Key, Impeller
14	Seal Kit
17	Capscrew (Motor/Adapter)
18	Capscrew (Cover/Adapter)
21*	O-Ring, Shaft Sleeve
22**	Wear Ring (Cover)
23	Stuffing Box
24	Gasket, Stuffing Box
26	Capscrew (Casing/Cover)
27	Capscrew (Cover/Stuffing Box)

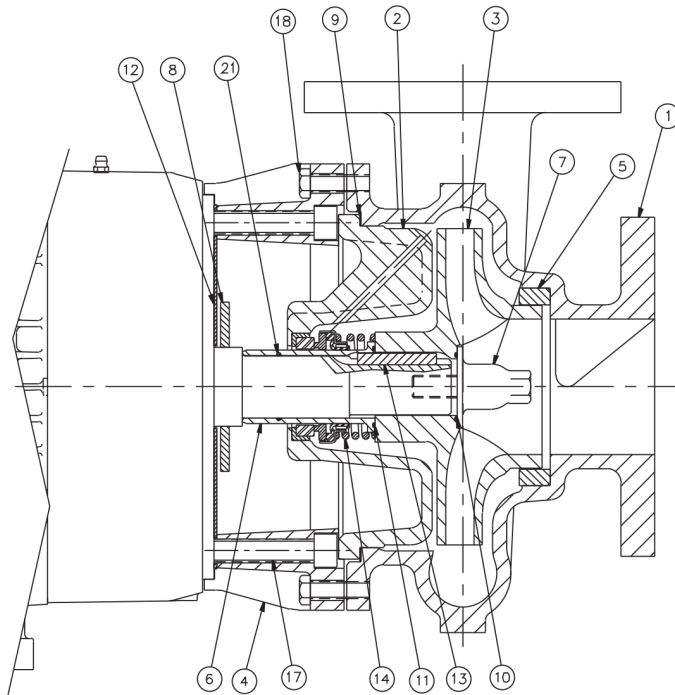
\* ZCH2 Only

\*\* Not Required for 1-1/2 x 1-1/2 Models

**Exploded View**

*Optional Items Shown in ITALICS*

Ref #	Component Item No.	Description	Qty Per
1	BV8402241	CASING,3X2,BRZ ZC2	1
2	BC8402261	COVER,32/43L/3310,JM,BZ ZC2 ZCH2 SGL SEAL	1
3	BI8303471	IMPELLER,3X2,BZ,T21 SEAL ZCH2	1
4	GX8401361	ADAPTER,280 JM FRAME ZCH2	1
5	BW8107661	RING,WEAR,3X2,SUCTION,BZ ZC2 ZCH2 3X2	1
6	BX8107641	SLEEVE,SHFT,4X3L,BZ,JM FRM ZCH2	1
7	BI8107731	SCREW,IMP,ZCH2 4X3L,BZ ZCH2	1
8	GX5098700	SLINGER,1-23/32X3-3/4X 3/16 ZCH2	1
9	GX5106200	GASKET,3X2,CVR,CASING 10-1/8X 12-1/8 X 1/16 N-8090	1
10	GX5041400	GASKET,IMP SCRW,1-1/4X1-13/16 X1/32	1
11	GX5041600	GASKET,1-1/4X1-3/4X1/32 1/4 KEYSLOT,SLV/IMP	1
12	SX8101072	SPLASHPLATE,280JM FRM ZCH2	1
13	GX5051200	KEY,IMPLR/SLV,2.0X.25X.25 304-SS	1
14	GS8107770	KIT,1-5/8,T21L,CE/CA/BU ZCH2 32	1
	<i>GS8107770-316SS</i>	<i>KIT,1-5/8,32,T21L,CE/CA/BU 316SS MET ZCH2</i>	<i>1</i>
	<i>GS8107780</i>	<i>KIT,1-5/8,T21,CE/CA/VI ZCH2 43L</i>	<i>1</i>
17	GX5076700	CAPSCRW,HX,5/8-11X1-1/2,18-8SS HX HD	4
18	GX5077200	CAPSCRW,HX,3/8-16X1-1/4,18-8SS HX HD	8
21	GX5099300	O-RING,1-3/8X1-1/2X1/16,BUNA SLEEVE	1
	<i>GX5099301</i>	<i>O-RING,T1 T21,1-5/8,EPDM,SLV (1-3/8 X 1-1/2 X 1/16)</i>	<i>1</i>
	<i>GX5099302</i>	<i>O-RING,33/43,VIT,FDA COMPL DCH3</i>	<i>1</i>
22	BW8107681	RING,WEAR,3X2 4X3 L ,BZ,STUFF BX ZC2 ZCH2	1
23	BX8204231	STUFFING BOX,4X3L,BZ,JM,T21/T1 ZCH2	1
24	GX5041900	GASKET,4X3X1/32,N-8090,STFBX STUFFING BOX	1
26	GX5077100	CAPSCRW,HX,3/8-16X1,18-8SS HX HD	12
27	GX5077100	CAPSCRW,HX,3/8-16X1,18-8SS HX HD	4



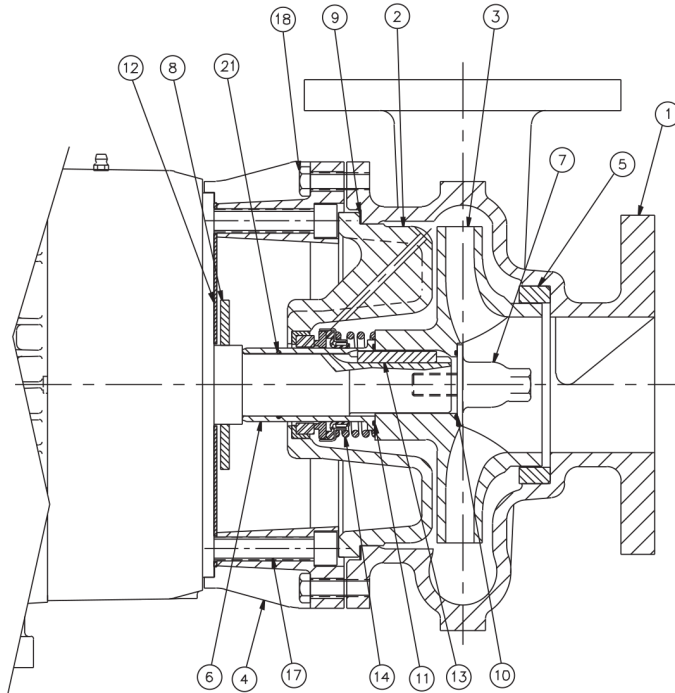
Ref #	Component
1	Casing
2	Cover
3	Impeller
4	Adapter
5	Wear Ring (Casing)
6	Shaft Sleeve
7	Impeller Screw
8	Slinger
9	Gasket, Casing
10	Gasket, Impeller Screw
11	O-Ring, Shaft Sleeve
12	Splashplate
13	Key, Impeller
14	Seal Kit
17	Capscrew (Motor/Adapter)
18	Capscrew (Casing/Adapter)
21*	O-Ring, Shaft Sleeve
22**	Wear Ring (Cover)

\* ZCH2 Only  
\*\* ZC2/ZCH2 4 x 3 Only

**Exploded View**

*Optional Items Shown in ITALICS*

Ref #	Component Item No.	Description	Qty Per
1	BV8400771	CASING,3X2-1/2,BZ ZC2	1
2	BC8301731	COVER,3X2-1/2,BZ ZCH2	1
3	BI8203011	IMPELLER,3X2-1/2,BZ ZCH2	1
4	GX8401251	ADAPTER,250 JM FRAME ZCH2	1
	<i>SX8401252</i>	<i>ADAPTER,250 JM FRAME,SS NS ZCH2</i>	1
5	BW8100571	RING,WEAR,EC,3X2-1/2,BZ ZC2 ZCH2 3X2-1/2	1
6	BX8104422	SLEEVE,SHFT,BZ ZCH2	1
7	BI8102721	SCREW,22 43 66 325 1515,IMP,BZ ECH/ZCH	1
8	GX5098700	SLINGER,1-23 32X3-3 4X 3 16 ZCH2	1
9	GX5041200	GASKET,7-47 64X7-1 8X 1 32 ,N-8090	1
10	GX5041400	GASKET,IMP SCRW,1-1 4X1-13 16 X1 32	1
11	GX5099800	O-RING,1-5 8X1-3 4X1 16,BUNA SLEEVE	1
	<i>GX5099802</i>	<i>O-RING,T2 T21,1-5 8,EPDM,SLV (1-5 8 X 1-3 4 X 1 16)</i>	1
	<i>GX5099801</i>	<i>O-RING,33 43,VIT,FDA COMPL DCH3</i>	1
12	GX5091400	SPLASHPLATE,EC2 KC2 RC2 ZC2,SS FR213-256	1
13	GX5051200	KEY,IMPLR/SLV,2.0X.25X.25 304-SS	1
14	GS8105530	KIT,1-5 8,T21,CE/CA/BU ZCH2	1
	<i>GS8105530-316SS</i>	<i>KIT,1-5 8,T21,CE/CA/BU,316SS MET ZCH2</i>	1
	<i>GS8106560</i>	<i>KIT,1-5 8,T21,CE/CA/VI ZCH2</i>	1
	<i>GS8107110</i>	<i>KIT,1-5 8,T21,TC/CA/VI ZCH2</i>	1
	<i>GS8107140</i>	<i>KIT,1-5 8,T21,SC/CA/VI ZCH2 3X2.5 4X3</i>	1
	<i>GS8111200-316SS</i>	<i>KIT,1-5 8,T21,TC/SC/BU,316SS MET ZCH2,3X2.5,4X3</i>	1
17	GX5077500	CAPSCRW,SH,1 2-13X3,BLK OX SCKT HD	4
18	GX5077200	CAPSCRW,HX,3 8-16X1-1 4,18-8SS HX HD	8
21	GX5099300	O-RING,1-3 8X1-1 2X1 16,BUNA SLEEVE	1
	<i>GX5099301</i>	<i>O-RING,T1 T21,1-5 8,EPDM,SLV (1-3 8 X 1-1 2 X 1 16)</i>	1
	<i>GX5099302</i>	<i>O-RING,33 43,VIT,FDA COMPL DCH3</i>	1



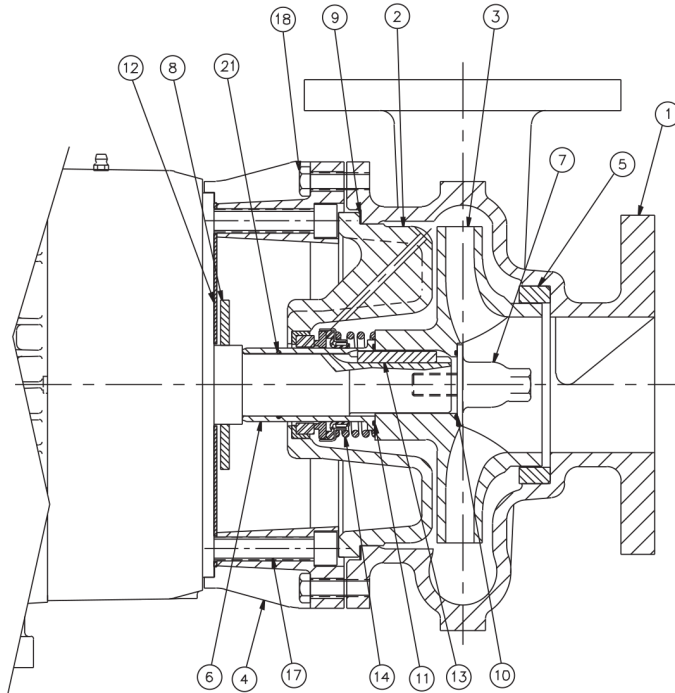
Ref #	Component
1	Casing
2	Cover
3	Impeller
4	Adapter
5	Wear Ring (Casing)
6	Shaft Sleeve
7	Impeller Screw
8	Slinger
9	Gasket, Casing
10	Gasket, Impeller Screw
11	O-Ring, Shaft Sleeve
12	Splashplate
13	Key, Impeller
14	Seal Kit
17	Capscrew (Motor/Adapter)
18	Capscrew (Casing/Adapter)
21*	O-Ring, Shaft Sleeve
22**	Wear Ring (Cover)

\* ZCH2 Only  
\*\* ZC2/ZCH2 4 x 3 Only

**Exploded View**

*Optional Items Shown in ITALICS*

Ref #	Component Item No.	Description	Qty Per
1	BV8400771	CASING,3X2-1/2,BZ ZC2	1
2	BC8301731	COVER,3X2-1/2,BZ ZCH2	1
3	BI8203011	IMPELLER,3X2-1/2,BZ ZCH2	1
4	GX8401361	ADAPTER,280 JM FRAME ZCH2	1
5	BW8100571	RING,WEAR,EC,3X2-1/2,BZ ZC2 ZCH2 3X2-1/2	1
6	BX8104422	SLEEVE,SHFT,BZ ZCH2	1
7	BI8102721	SCREW,22/43/66/325/1515,IMP,BZ ECH/ZCH	1
8	GX5098700	SLINGER,1-23/32X3-3/4X 3/16 ZCH2	1
9	GX5041200	GASKET,7-47/64X7-1/8X 1/32 ,N-8090	1
10	GX5041400	GASKET,IMP SCR W,1-1/4X1-13/16 X1/32	1
11	GX5099800	O-RING,1-5/8X1-3/4X1/16,BUNA SLEEVE	1
	<i>GX5099802</i>	<i>O-RING,T2 T21,1-5/8,EPDM,SLV (1-5/8 X 1-3/4 X 1/16)</i>	<i>1</i>
	<i>GX5099801</i>	<i>O-RING,33/43,VIT,FDA COMPL DCH3</i>	<i>1</i>
12	SX8101072	SPLASHPLATE,280JM FRM ZCH2	1
13	GX5051200	KEY,IMPLR/SLV,2.0X.25X.25 304-SS	1
14	GS8105530	KIT,1-5/8,T21,CE/CA/BU ZCH2	1
	<i>GS8105530-316SS</i>	<i>KIT,1-5/8,T21,CE/CA/BU,316SS MET ZCH2</i>	<i>1</i>
	<i>GS8106560</i>	<i>KIT,1-5/8,T21,CE/CA/VI ZCH2</i>	<i>1</i>
	<i>GS8107110</i>	<i>KIT,1-5/8,T21,TC/CA/VI ZCH2</i>	<i>1</i>
	<i>GS8107140</i>	<i>KIT,1-5/8,T21,SC/CA/VI ZCH2 3X2.5 4X3</i>	<i>1</i>
	<i>GS8111200-316SS</i>	<i>KIT,1-5/8,T21,TC/SC/BU,316SS MET ZCH2,3X2.5,4X3</i>	<i>1</i>
17	GX5076700	CAPSCRW,HX,5/8-11X1-1/2,18-8SS HX HD	4
18	GX5077200	CAPSCRW,HX,3/8-16X1-1/4,18-8SS HX HD	8
21	GX5099300	O-RING,1-3/8X1-1/2X1/16,BUNA SLEEVE	1
	<i>GX5099301</i>	<i>O-RING,T1 T21,1-5/8,EPDM,SLV (1-3/8 X 1-1/2 X 1/16)</i>	<i>1</i>
	<i>GX5099302</i>	<i>O-RING,33/43,VIT,FDA COMPL DCH3</i>	<i>1</i>



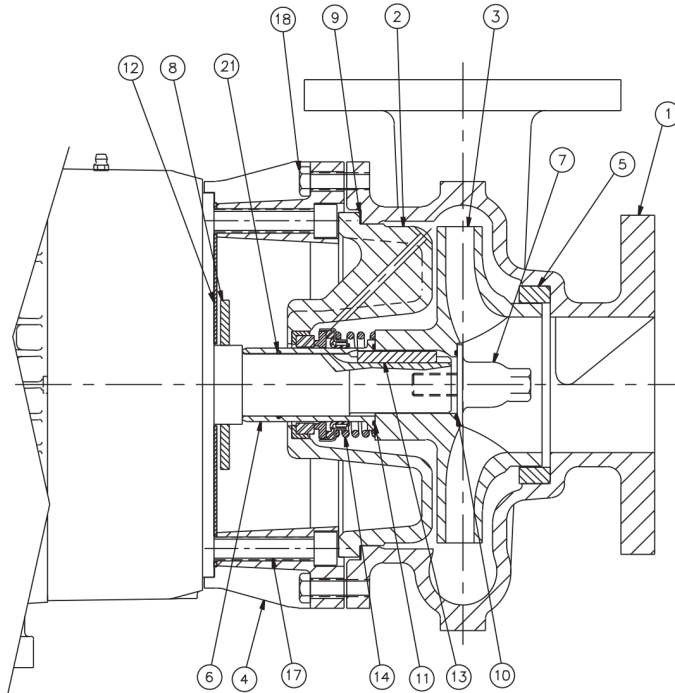
Ref #	Component
1	Casing
2	Cover
3	Impeller
4	Adapter
5	Wear Ring (Casing)
6	Shaft Sleeve
7	Impeller Screw
8	Slinger
9	Gasket, Casing
10	Gasket, Impeller Screw
11	O-Ring, Shaft Sleeve
12	Splashplate
13	Key, Impeller
14	Seal Kit
17	Capscrew (Motor/Adapter)
18	Capscrew (Casing/Adapter)
21*	O-Ring, Shaft Sleeve
22**	Wear Ring (Cover)

\* ZCH2 Only  
\*\* ZC2/ZCH2 4 x 3 Only

**Exploded View**

*Optional Items Shown in ITALICS*

Ref #	Component Item No.	Description	Qty Per
1	BV8400781	CASING,4X3,BZ ZC2	1
2	BC8302041	COVER,4X3,BZ ZCH2	1
3	BI8203661	IMPELLER,4X3,BZ ZCH2	1
4	GX8401251	ADAPTER,250 JM FRAME ZCH2	1
	<i>SX8401252</i>	<i>ADAPTER,250 JM FRAME,SS NS ZCH2</i>	1
5	BW8100541	RING,WEAR,EC,4X3,BZ ZC2 ZCH2 4X3	2
6	BX8104422	SLEEVE,SHFT,BZ ZCH2	1
7	BI8102721	SCREW,22 43 66 325 1515,IMP,BZ ECH/ZCH	1
8	GX5098700	SLINGER,1-23 32X3-3 4X 3 16 ZCH2	1
9	GX5041200	GASKET,7-47 64X7-1 8X 1 32 ,N-8090	1
10	GX5041400	GASKET,IMP SCRW,1-1 4X1-13 16 X1 32	1
11	GX5099800	O-RING,1-5 8X1-3 4X1 16,BUNA SLEEVE	1
	<i>GX5099802</i>	<i>O-RING,T2 T21,1-5 8,EPDM,SLV (1-5 8 X 1-3 4 X 1 16)</i>	1
	<i>GX5099801</i>	<i>O-RING,33 43,VIT,FDA COMPL DCH3</i>	1
12	GX5091400	SPLASHPLATE,EC2 KC2 RC2 ZC2,SS FR213-256	1
13	GX5051200	KEY,IMPLR/SLV,2.0X.25X.25 304-SS	1
14	GS8105530	KIT,1-5 8,T21,CE/CA/BU ZCH2	1
	<i>GS8105530-316SS</i>	<i>KIT,1-5 8,T21,CE/CA/BU,316SS MET ZCH2</i>	1
	<i>GS8106560</i>	<i>KIT,1-5 8,T21,CE/CA/VI ZCH2</i>	1
	<i>GS8107110</i>	<i>KIT,1-5 8,T21,TC/CA/VI ZCH2</i>	1
	<i>GS8107140</i>	<i>KIT,1-5 8,T21,SC/CA/VI ZCH2 3X2.5 4X3</i>	1
	<i>GS8111200-316SS</i>	<i>KIT,1-5 8,T21,TC/SC/BU,316SS MET ZCH2,3X2.5,4X3</i>	1
17	GX5077500	CAPSCRW,SH,1 2-13X3,BLK OX SCKT HD	4
18	GX5077200	CAPSCRW,HX,3 8-16X1-1 4,18-8SS HX HD	8
21	GX5099300	O-RING,1-3 8X1-1 2X1 16,BUNA SLEEVE	1
	<i>GX5099301</i>	<i>O-RING,T1 T21,1-5 8,EPDM,SLV (1-3 8 X 1-1 2 X 1 16)</i>	1
	<i>GX5099302</i>	<i>O-RING,33 43,VIT,FDA COMPL DCH3</i>	1



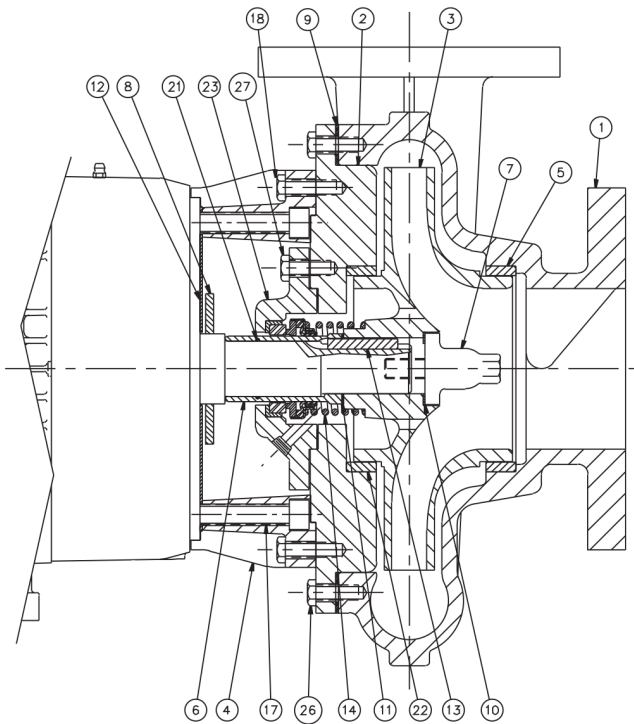
Ref #	Component
1	Casing
2	Cover
3	Impeller
4	Adapter
5	Wear Ring (Casing)
6	Shaft Sleeve
7	Impeller Screw
8	Slinger
9	Gasket, Casing
10	Gasket, Impeller Screw
11	O-Ring, Shaft Sleeve
12	Splashplate
13	Key, Impeller
14	Seal Kit
17	Capscrew (Motor/Adapter)
18	Capscrew (Casing/Adapter)
21*	O-Ring, Shaft Sleeve
22**	Wear Ring (Cover)

\* ZCH2 Only  
\*\* ZC2/ZCH2 4 x 3 Only

**Exploded View**

*Optional Items Shown in ITALICS*

Ref #	Component Item No.	Description	Qty Per
1	BV8400781	CASING,4X3,BZ ZC2	1
2	BC8302041	COVER,4X3,BZ ZCH2	1
3	BI8203661	IMPELLER,4X3,BZ ZCH2	1
4	GX8401361	ADAPTER,280 JM FRAME ZCH2	1
5	BW8100541	RING,WEAR,EC,4X3,BZ ZC2 ZCH2 4X3	2
6	BX8104422	SLEEVE,SHFT,BZ ZCH2	1
7	BI8102721	SCREW,22/43/66/325/1515,IMP,BZ ECH/ZCH	1
8	GX5098700	SLINGER,1-23/32X3-3/4X 3/16 ZCH2	1
9	GX5041200	GASKET,7-47/64X7-1/8X 1/32 ,N-8090	1
10	GX5041400	GASKET,IMP SCRW,1-1/4X1-13/16 X1/32	1
11	GX5099800	O-RING,1-5/8X1-3/4X1/16,BUNA SLEEVE	1
	<i>GX5099802</i>	<i>O-RING,T2 T21,1-5/8,EPDM,SLV (1-5/8 X 1-3/4 X 1/16)</i>	<i>1</i>
	<i>GX5099801</i>	<i>O-RING,33/43,VIT,FDA COMPL DCH3</i>	<i>1</i>
12	SX8101072	SPLASHPLATE,280JM FRM ZCH2	1
13	GX5051200	KEY,IMPLR/SLV,2.0X.25X.25 304-SS	1
14	GS8105530	KIT,1-5/8,T21,CE/CA/BU ZCH2	1
	<i>GS8105530-316SS</i>	<i>KIT,1-5/8,T21,CE/CA/BU,316SS MET ZCH2</i>	<i>1</i>
	<i>GS8106560</i>	<i>KIT,1-5/8,T21,CE/CA/VI ZCH2</i>	<i>1</i>
	<i>GS8107110</i>	<i>KIT,1-5/8,T21,TC/CA/VI ZCH2</i>	<i>1</i>
	<i>GS8107140</i>	<i>KIT,1-5/8,T21,SC/CA/VI ZCH2 3X2.5 4X3</i>	<i>1</i>
	<i>GS8111200-316SS</i>	<i>KIT,1-5/8,T21,TC/SC/BU,316SS MET ZCH2,3X2.5,4X3</i>	<i>1</i>
17	GX5076700	CAPSCRW,HX,5/8-11X1-1/2,18-8SS HX HD	4
18	GX5077200	CAPSCRW,HX,3/8-16X1-1/4,18-8SS HX HD	8
21	GX5099300	O-RING,1-3/8X1-1/2X1/16,BUNA SLEEVE	1
	<i>GX5099301</i>	<i>O-RING,T1 T21,1-5/8,EPDM,SLV (1-3/8 X 1-1/2 X 1/16)</i>	<i>1</i>
	<i>GX5099302</i>	<i>O-RING,33/43,VIT,FDA COMPL DCH3</i>	<i>1</i>



Ref #	Component
1	Casing
2	Cover
3	Impeller
4	Adapter
5	Wear Ring (Casing)
6	Shaft Sleeve
7	Impeller Screw
8	Slinger
9	Gasket, Casing
10	Gasket, Impeller Screw
11	O-Ring, Shaft Sleeve
12	Splashplate
13	Key, Impeller
14	Seal Kit
17	Capscrew (Motor/Adapter)
18	Capscrew (Cover/Adapter)
21*	O-Ring, Shaft Sleeve
22**	Wear Ring (Cover)
23	Stuffing Box
24	Gasket, Stuffing Box
26	Capscrew (Casing/Cover)
27	Capscrew (Cover/Stuffing Box)

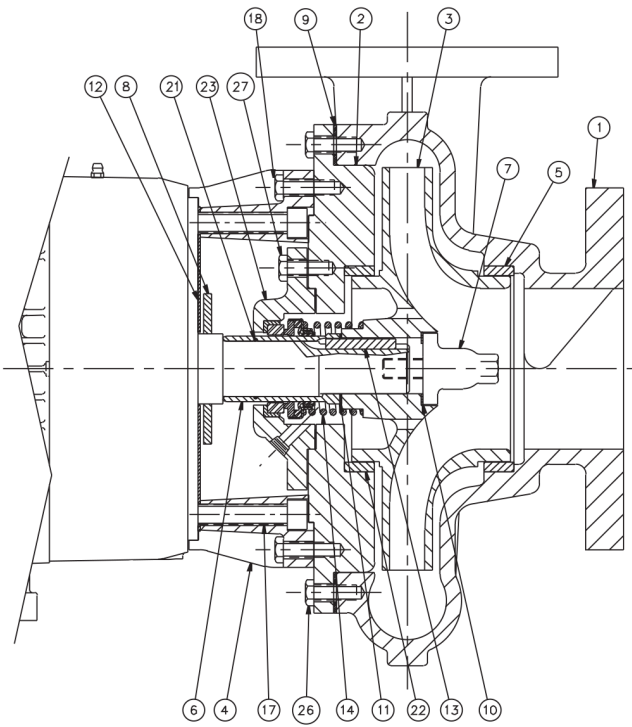
\* ZCH2 Only

\*\* Not Required for 1-1/2 x 1-1/2 Models

**Exploded View**

*Optional Items Shown in ITALICS*

Ref #	Component Item No.	Description	Qty Per
1	BV8402591	CASING,4X3C,BZ ZC2	1
2	BC8402601	COVER,4X3C,BZ,SGL SEAL	1
3	BI8304141	IMPELLER,4X3C,BZ ZCH2	1
4	GX8401251	ADAPTER,250 JM FRAME ZCH2	1
	<i>SX8401252</i>	<i>ADAPTER,250 JM FRAME,SS NS ZCH2</i>	<i>1</i>
5	BW8107681	RING,WEAR,3X2 4X3 L ,BZ,STUFF BX ZC2/ZCH2	1
6	BX8104422	SLEEVE,SHFT,BZ ZCH2	1
7	BI8110420	SCREW,43C,IMP,BZ ZCH2	1
8	GX5098700	SLINGER,1-23/32X3-3/4X 3/16 ZCH2	1
9	GX5041300	GASKET,9-1/4 X 10 X 1/16,N-8090	1
10	GX5099304	O-RING,43C,IMP SCRW,VIT ZCH2	1
11	GX5099800	O-RING,1-5/8X1-3/4X1/16,BUNA SLEEVE	1
	<i>GX5099802</i>	<i>O-RING,T2 T21,1-5/8,EPDM,SLV (1-5/8 X 1-3/4 X 1/16)</i>	<i>1</i>
	<i>GX5099801</i>	<i>O-RING,33/43,VIT,FDA COMPL DCH3</i>	<i>1</i>
12	GX5091400	SPLASHPLATE,EC2/KC2/RC2/ZC2,SS FR213-256	1
13	GX5051200	KEY,IMPLR/SLV,2.0X.25X.25 304-SS	1
14	GS8107770	KIT,1-5/8,T21L,CE/CA/BU ZCH2 32	1
	<i>GS8107770-316SS</i>	<i>KIT,1-5/8,32,T21L,CE/CA/BU 316SS MET ZCH2</i>	<i>1</i>
	<i>GS8107780</i>	<i>KIT,1-5/8,T21,CE/CA/VI ZCH2 43L</i>	<i>1</i>
17	GX5077500	CAPSCRW,SH,1/2-13X3,BLK OX SCKT HD	4
18	GX5077200	CAPSCRW,HX,3/8-16X1-1/4,18-8SS HX HD	8
21	GX5099300	O-RING,1-3/8X1-1/2X1/16,BUNA SLEEVE	1
	<i>GX5099301</i>	<i>O-RING,T1 T21,1-5/8,EPDM,SLV (1-3/8 X 1-1/2 X 1/16)</i>	<i>1</i>
	<i>GX5099302</i>	<i>O-RING,33/43,VIT,FDA COMPL DCH3</i>	<i>1</i>
22	BW8107681	RING,WEAR,3X2 4X3 L ,BZ,STUFF BX ZC2/ZCH2	1
23	BX8204231	STUFFING BOX,4X3L,BZ,JM,T21/T1 ZCH2	1
24	GX5041900	GASKET,4X3X1/32,N-8090,STFBX STUFFING BOX	1



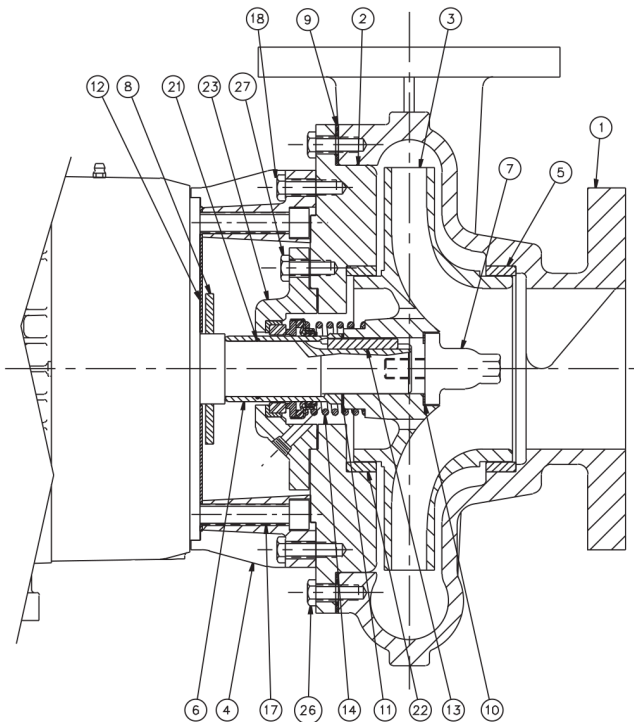
Ref #	Component
1	Casing
2	Cover
3	Impeller
4	Adapter
5	Wear Ring (Casing)
6	Shaft Sleeve
7	Impeller Screw
8	Slinger
9	Gasket, Casing
10	Gasket, Impeller Screw
11	O-Ring, Shaft Sleeve
12	Splashplate
13	Key, Impeller
14	Seal Kit
17	Capscrew (Motor/Adapter)
18	Capscrew (Cover/Adapter)
21*	O-Ring, Shaft Sleeve
22**	Wear Ring (Cover)
23	Stuffing Box
24	Gasket, Stuffing Box
26	Capscrew (Casing/Cover)
27	Capscrew (Cover/Stuffing Box)

\* ZCH2 Only  
\*\* Not Required for 1-1/2 x 1-1/2 Models

**Exploded View**

*Optional Items Shown in ITALICS*

Ref #	Component Item No.	Description	Qty Per
26	<b>GX5077100</b>	<b>CAPSCRW,HX,3/8-16X1,18-8SS HX HD</b>	<b>12</b>
27	<b>GX5077100</b>	<b>CAPSCRW,HX,3/8-16X1,18-8SS HX HD</b>	<b>4</b>



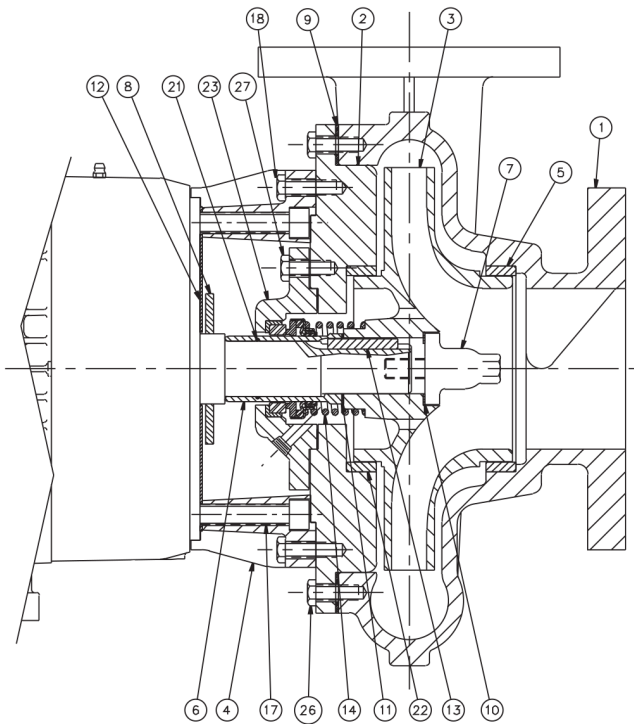
Ref #	Component
1	Casing
2	Cover
3	Impeller
4	Adapter
5	Wear Ring (Casing)
6	Shaft Sleeve
7	Impeller Screw
8	Slinger
9	Gasket, Casing
10	Gasket, Impeller Screw
11	O-Ring, Shaft Sleeve
12	Splashplate
13	Key, Impeller
14	Seal Kit
17	Capscrew (Motor/Adapter)
18	Capscrew (Cover/Adapter)
21*	O-Ring, Shaft Sleeve
22**	Wear Ring (Cover)
23	Stuffing Box
24	Gasket, Stuffing Box
26	Capscrew (Casing/Cover)
27	Capscrew (Cover/Stuffing Box)

\* ZCH2 Only  
\*\* Not Required for 1-1/2 x 1-1/2 Models

**Exploded View**

*Optional Items Shown in ITALICS*

Ref #	Component Item No.	Description	Qty Per
1	BV8402591	CASING,4X3C,BZ ZC2	1
2	BC8402601	COVER,4X3C,BZ,SGL SEAL	1
3	BI8304141	IMPELLER,4X3C,BZ ZCH2	1
4	GX8401361	ADAPTER,280 JM FRAME ZCH2	1
5	BW8107681	RING,WEAR,3X2 4X3 L ,BZ,STUFF BX ZC2/ZCH2	1
6	BX8104422	SLEEVE,SHFT,BZ ZCH2	1
7	BI8110420	SCREW,43C,IMP,BZ ZCH2	1
8	GX5098700	SLINGER,1-23/32X3-3/4X 3/16 ZCH2	1
9	GX5041300	GASKET,9-1/4 X 10 X1/16,N-8090	1
10	GX5099304	O-RING,43C,IMP SCRW,VIT ZCH2	1
11	GX5099800	O-RING,1-5/8X1-3/4X1/16,BUNA SLEEVE	1
	<i>GX5099802</i>	<i>O-RING,T2 T21,1-5/8,EPDM,SLV (1-5/8 X 1-3/4 X 1/16)</i>	<i>1</i>
	<i>GX5099801</i>	<i>O-RING,33/43,VIT,FDA COMPL DCH3</i>	<i>1</i>
12	SX8101072	SPLASHPLATE,280JM FRM ZCH2	1
13	GX5051200	KEY,IMPLR/SLV,2.0X.25X.25 304-SS	1
14	GS8107770	KIT,1-5/8,T21L,CE/CA/BU ZCH2 32	1
	<i>GS8107770-316SS</i>	<i>KIT,1-5/8,32,T21L,CE/CA/BU 316SS MET ZCH2</i>	<i>1</i>
	<i>GS8107780</i>	<i>KIT,1-5/8,T21,CE/CA/VI ZCH2 43L</i>	<i>1</i>
17	GX5076700	CAPSCRW,HX,5/8-11X1-1/2,18-8SS HX HD	4
18	GX5077200	CAPSCRW,HX,3/8-16X1-1/4,18-8SS HX HD	8
21	GX5099300	O-RING,1-3/8X1-1/2X1/16,BUNA SLEEVE	1
	<i>GX5099301</i>	<i>O-RING,T1 T21,1-5/8,EPDM,SLV (1-3/8 X 1-1/2 X 1/16)</i>	<i>1</i>
	<i>GX5099302</i>	<i>O-RING,33/43,VIT,FDA COMPL DCH3</i>	<i>1</i>
22	BW8107681	RING,WEAR,3X2 4X3 L ,BZ,STUFF BX ZC2/ZCH2	1
23	BX8204231	STUFFING BOX,4X3L,BZ,JM,T21/T1 ZCH2	1
24	GX5041900	GASKET,4X3X1/32,N-8090,STFBX STUFFING BOX	1
26	GX5077100	CAPSCRW,HX,3/8-16X1,18-8SS HX HD	12



Ref #	Component
1	Casing
2	Cover
3	Impeller
4	Adapter
5	Wear Ring (Casing)
6	Shaft Sleeve
7	Impeller Screw
8	Slinger
9	Gasket, Casing
10	Gasket, Impeller Screw
11	O-Ring, Shaft Sleeve
12	Splashplate
13	Key, Impeller
14	Seal Kit
17	Capscrew (Motor/Adapter)
18	Capscrew (Cover/Adapter)
21*	O-Ring, Shaft Sleeve
22**	Wear Ring (Cover)
23	Stuffing Box
24	Gasket, Stuffing Box
26	Capscrew (Casing/Cover)
27	Capscrew (Cover/Stuffing Box)

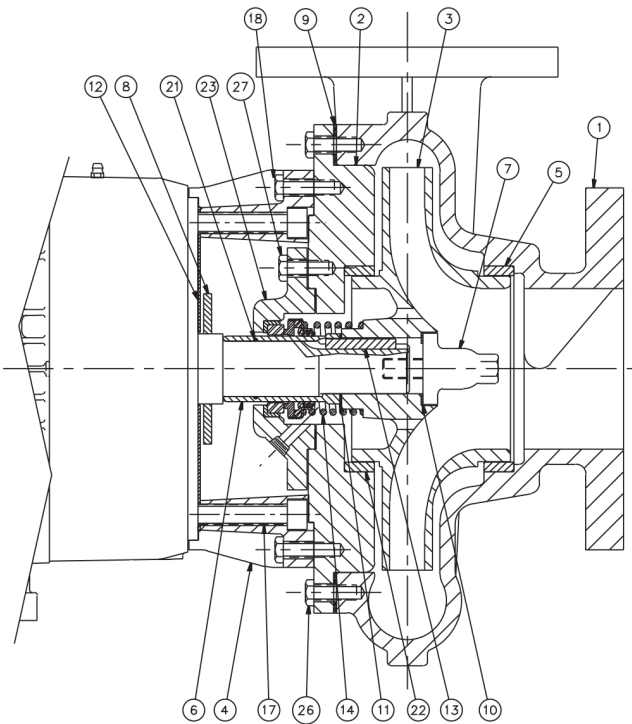
\* ZCH2 Only

\*\* Not Required for 1-1/2 x 1-1/2 Models

**Exploded View**

*Optional Items Shown in ITALICS*

Ref #	Component Item No.	Description	Qty Per
27	<i>GX5077100</i>	<i>CAPSCRW,HX,3/8-16X1,18-8SS HX HD</i>	4



Ref #	Component
1	Casing
2	Cover
3	Impeller
4	Adapter
5	Wear Ring (Casing)
6	Shaft Sleeve
7	Impeller Screw
8	Slinger
9	Gasket, Casing
10	Gasket, Impeller Screw
11	O-Ring, Shaft Sleeve
12	Splashplate
13	Key, Impeller
14	Seal Kit
17	Capscrew (Motor/Adapter)
18	Capscrew (Cover/Adapter)
21*	O-Ring, Shaft Sleeve
22**	Wear Ring (Cover)
23	Stuffing Box
24	Gasket, Stuffing Box
26	Capscrew (Casing/Cover)
27	Capscrew (Cover/Stuffing Box)

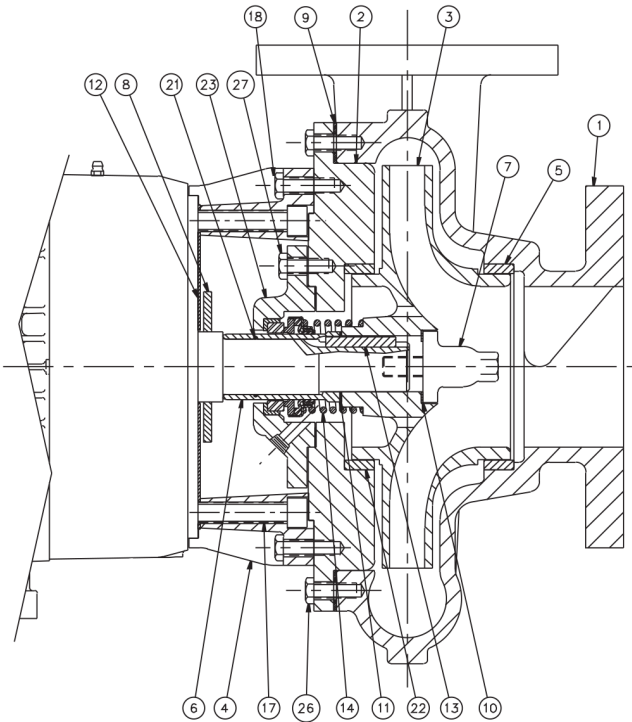
\* ZCH2 Only

\*\* Not Required for 1-1/2 x 1-1/2 Models

**Exploded View**

*Optional Items Shown in ITALICS*

Ref #	Component Item No.	Description	Qty Per
1	BV8402401	CASING,4X3L,BZ ZC2	1
2	BC8402261	COVER,32/43L/3310,JM,BZ ZC2 ZCH2 SGL SEAL	1
3	BI8303681	IMPELLER,4X3L,BZ,T21 SEAL ZCH2	1
4	GX8401251	ADAPTER,250 JM FRAME ZCH2	1
	<i>SX8401252</i>	<i>ADAPTER,250 JM FRAME,SS NS ZCH2</i>	<i>1</i>
5	BW8107681	RING,WEAR,3X2 4X3 L ,BZ,STUFF BX ZC2 ZCH2	1
6	BX8107641	SLEEVE,SHFT,4X3L,BZ,JM FRM ZCH2	1
7	BI8107731	SCREW,IMP,ZCH2 4X3L,BZ ZCH2	1
8	GX5098700	SLINGER,1-23/32X3-3/4X 3/16 ZCH2	1
9	GX5106200	GASKET,3X2,CVR,CASING 10-1/8X 12-1/8 X 1/16 N-8090	1
10	GX5041400	GASKET,IMP SCRW,1-1/4X1-13/16 X1/32	1
11	GX5041600	GASKET,1-1/4X1-3/4X1/32 1/4 KEYSLOT,SLV/IMP	1
12	GX5091400	SPLASHPLATE,EC2/KC2/RC2/ZC2,SS FR213-256	1
13	GX5051200	KEY,IMPLR/SLV,2.0X.25X.25 304-SS	1
14	GS8107770	KIT,1-5/8,T21L,CE/CA/BU ZCH2 32	1
	<i>GS8107770-316SS</i>	<i>KIT,1-5/8,32,T21L,CE/CA/BU 316SS MET ZCH2</i>	<i>1</i>
	<i>GS8107780</i>	<i>KIT,1-5/8,T21,CE/CA/VI ZCH2 43L</i>	<i>1</i>
17	GX5077500	CAPSCRW,SH,1/2-13X3,BLK OX SCKT HD	4
18	GX5077200	CAPSCRW,HX,3/8-16X1-1/4,18-8SS HX HD	8
21	GX5099300	O-RING,1-3/8X1-1/2X1/16,BUNA SLEEVE	1
	<i>GX5099301</i>	<i>O-RING,T1 T21,1-5/8,EPDM,SLV (1-3/8 X 1-1/2 X 1/16)</i>	<i>1</i>
	<i>GX5099302</i>	<i>O-RING,33/43,VIT,FDA COMPL DCH3</i>	<i>1</i>
22	BW8107681	RING,WEAR,3X2 4X3 L ,BZ,STUFF BX ZC2 ZCH2	1
23	BX8204231	STUFFING BOX,4X3L,BZ,JM,T21/T1 ZCH2	1
24	GX5041900	GASKET,4X3X1/32,N-8090,STFBX STUFFING BOX	1
26	GX5077100	CAPSCRW,HX,3/8-16X1,18-8SS HX HD	12
27	GX5077100	CAPSCRW,HX,3/8-16X1,18-8SS HX HD	4



Ref #	Component
1	Casing
2	Cover
3	Impeller
4	Adapter
5	Wear Ring (Casing)
6	Shaft Sleeve
7	Impeller Screw
8	Slinger
9	Gasket, Casing
10	Gasket, Impeller Screw
11	O-Ring, Shaft Sleeve
12	Splashplate
13	Key, Impeller
14	Seal Kit
17	Capscrew (Motor/Adapter)
18	Capscrew (Cover/Adapter)
21*	O-Ring, Shaft Sleeve
22**	Wear Ring (Cover)
23	Stuffing Box
24	Gasket, Stuffing Box
26	Capscrew (Casing/Cover)
27	Capscrew (Cover/Stuffing Box)

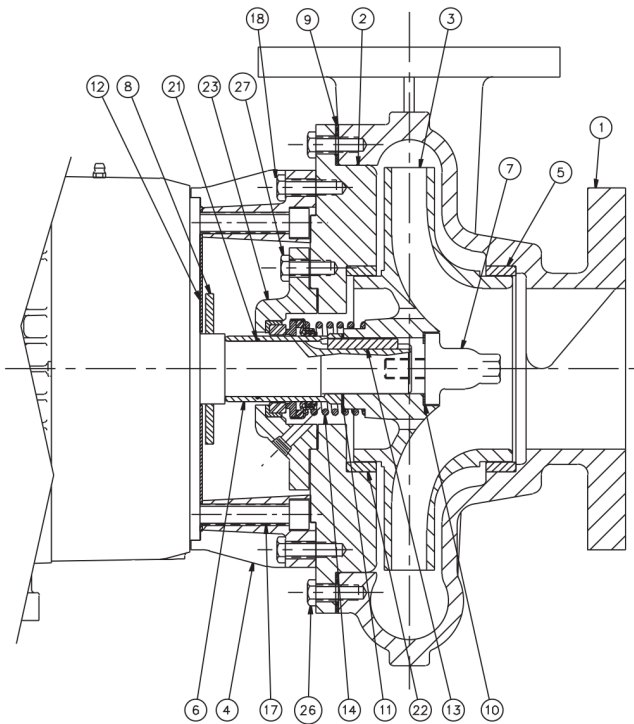
\* ZCH2 Only

\*\* Not Required for 1-1/2 x 1-1/2 Models

**Exploded View**

*Optional Items Shown in ITALICS*

Ref #	Component Item No.	Description	Qty Per
1	BV8404381	CASING,5X4P,BZ ZCH2	1
2	BC8404591	COVER,5X4P,BZ ZCH2	1
3	BI8404361	IMPELLER,5X4P,BZ ZCH2	1
4	GX8401251	ADAPTER,250 JM FRAME ZCH2	1
	<i>SX8401252</i>	<i>ADAPTER,250 JM FRAME,SS NS ZCH2</i>	<i>1</i>
5	BW8110531	RING,WEAR,5X4P,BZ ZC2 ZCH2 5X4P	1
6	BX8104422	SLEEVE,SHFT,BZ ZCH2	1
7	BI8107731	SCREW,IMP,ZCH2 4X3L,BZ ZCH2	1
8	GX5098700	SLINGER,1-23/32X3-3/4X 3/16 ZCH2	1
9	GX8205561	GASKET,54P,CVR ZC2 ZCH2	1
10	GX5099800	O-RING,1-5/8X1-3/4X1/16,BUNA SLEEVE	1
	<i>GX5099802</i>	<i>O-RING,T2 T21,1-5/8,EPDM,SLV (1-5/8 X 1-3/4 X 1/16)</i>	<i>1</i>
	<i>GX5099801</i>	<i>O-RING,33/43,VIT,FDA COMPL DCH3</i>	<i>1</i>
11	GX5099800	O-RING,1-5/8X1-3/4X1/16,BUNA SLEEVE	1
	<i>GX5099802</i>	<i>O-RING,T2 T21,1-5/8,EPDM,SLV (1-5/8 X 1-3/4 X 1/16)</i>	<i>1</i>
	<i>GX5099801</i>	<i>O-RING,33/43,VIT,FDA COMPL DCH3</i>	<i>1</i>
12	GX5091400	SPLASHPLATE,EC2/KC2/RC2/ZC2,SS FR213-256	1
13	GX5051200	KEY,IMPLR/SLV,2.0X.25X.25 304-SS	1
14	GS8110590	KIT,1-5/8,T21L,CE/CA/BU ZCH2 54P	1
	<i>GS8110590-316SS</i>	<i>KIT,1-5/8,T21L,CE/CA/BU,316SS MET ZCH2 54P</i>	<i>1</i>
	<i>GS8110694-316SS</i>	<i>KIT,1-5/8,54P,T21,TC/SC/BU 316SS MET ZC2</i>	<i>1</i>
17	GX5077500	CAPSCRW,SH,1/2-13X3,BLK OX SCKT HD	4
18	GX5077200	CAPSCRW,HX,3/8-16X1-1/4,18-8SS HX HD	8
21	GX5099300	O-RING,1-3/8X1-1/2X1/16,BUNA SLEEVE	1
	<i>GX5099301</i>	<i>O-RING,T1 T21,1-5/8,EPDM,SLV (1-3/8 X 1-1/2 X 1/16)</i>	<i>1</i>
	<i>GX5099302</i>	<i>O-RING,33/43,VIT,FDA COMPL DCH3</i>	<i>1</i>
22	BW8110531	RING,WEAR,5X4P,BZ ZC2 ZCH2 5X4P	1



Ref #	Component
1	Casing
2	Cover
3	Impeller
4	Adapter
5	Wear Ring (Casing)
6	Shaft Sleeve
7	Impeller Screw
8	Slinger
9	Gasket, Casing
10	Gasket, Impeller Screw
11	O-Ring, Shaft Sleeve
12	Splashplate
13	Key, Impeller
14	Seal Kit
17	Capscrew (Motor/Adapter)
18	Capscrew (Cover/Adapter)
21*	O-Ring, Shaft Sleeve
22**	Wear Ring (Cover)
23	Stuffing Box
24	Gasket, Stuffing Box
26	Capscrew (Casing/Cover)
27	Capscrew (Cover/Stuffing Box)

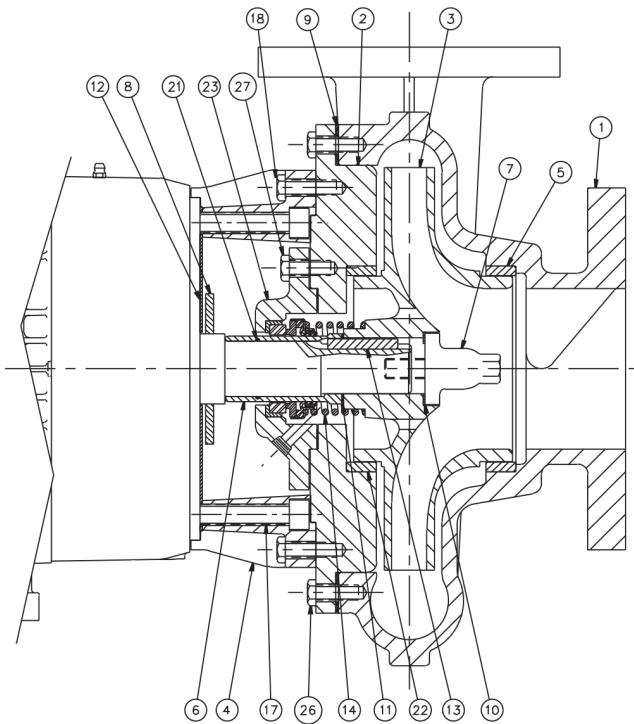
\* ZCH2 Only

\*\* Not Required for 1-1/2 x 1-1/2 Models

**Exploded View**

*Optional Items Shown in ITALICS*

Ref #	Component Item No.	Description	Qty Per
23	<b>BX8204231</b>	<b>STUFFING BOX,4X3L,BZ,JM,T21/T1 ZCH2</b>	<b>1</b>
24	<b>GX5041900</b>	<b>GASKET,4X3X1/32,N-8090,STFBX STUFFING BOX</b>	<b>1</b>
26	<b>SC1710H-SS</b>	<b>CAPSCRW,HX,1/2-13X1,18-8SS HX HD</b>	<b>8</b>
27	<b>GX5077100</b>	<b>CAPSCRW,HX,3/8-16X1,18-8SS HX HD</b>	<b>4</b>



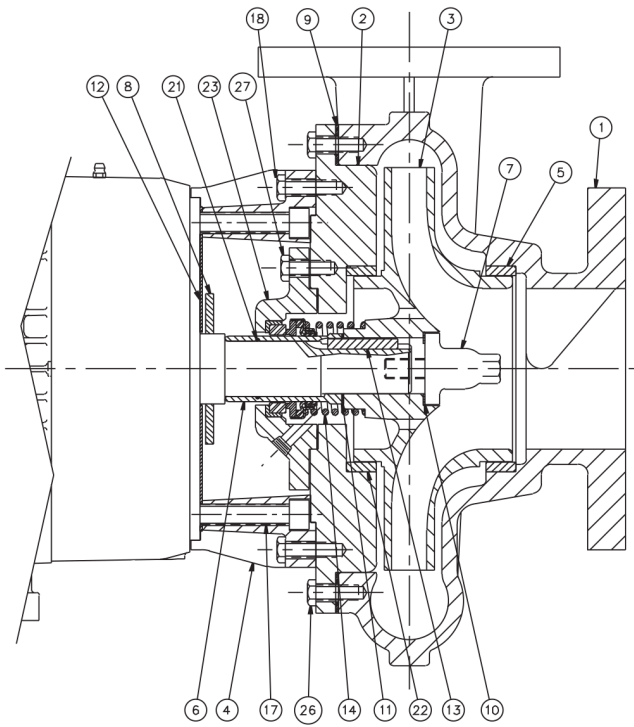
Ref #	Component
1	Casing
2	Cover
3	Impeller
4	Adapter
5	Wear Ring (Casing)
6	Shaft Sleeve
7	Impeller Screw
8	Slinger
9	Gasket, Casing
10	Gasket, Impeller Screw
11	O-Ring, Shaft Sleeve
12	Splashplate
13	Key, Impeller
14	Seal Kit
17	Capscrew (Motor/Adapter)
18	Capscrew (Cover/Adapter)
21*	O-Ring, Shaft Sleeve
22**	Wear Ring (Cover)
23	Stuffing Box
24	Gasket, Stuffing Box
26	Capscrew (Casing/Cover)
27	Capscrew (Cover/Stuffing Box)

\* ZCH2 Only  
\*\* Not Required for 1-1/2 x 1-1/2 Models

**Exploded View**

*Optional Items Shown in ITALICS*

Ref #	Component Item No.	Description	Qty Per
1	BV8404381	CASING,5X4P,BZ ZCH2	1
2	BC8404591	COVER,5X4P,BZ ZCH2	1
3	BI8404361	IMPELLER,5X4P,BZ ZCH2	1
4	GX8406351	ADAPTER,280 JM,5X4P ZCH2	1
5	BW8110531	RING,WEAR,5X4P,BZ ZC2 ZCH2 5X4P	1
6	BX8104422	SLEEVE,SHFT,BZ ZCH2	1
7	BI8107731	SCREW,IMP,ZCH2 4X3L,BZ ZCH2	1
8	GX5098700	SLINGER,1-23/32X3-3/4X 3/16 ZCH2	1
9	GX8205561	GASKET,54P,CVR ZC2 ZCH2	1
10	GX5099800	O-RING,1-5/8X1-3/4X1/16,BUNA SLEEVE	1
	<i>GX5099802</i>	<i>O-RING,T2 T21,1-5/8,EPDM,SLV (1-5/8 X 1-3/4 X 1/16)</i>	<i>1</i>
	<i>GX5099801</i>	<i>O-RING,33/43,VIT,FDA COMPL DCH3</i>	<i>1</i>
11	GX5099800	O-RING,1-5/8X1-3/4X1/16,BUNA SLEEVE	1
	<i>GX5099802</i>	<i>O-RING,T2 T21,1-5/8,EPDM,SLV (1-5/8 X 1-3/4 X 1/16)</i>	<i>1</i>
	<i>GX5099801</i>	<i>O-RING,33/43,VIT,FDA COMPL DCH3</i>	<i>1</i>
12	SX8101072	SPLASHPLATE,280JM FRM ZCH2	1
13	GX5051200	KEY,IMPLR/SLV,2.0X.25X.25 304-SS	1
14	GS8110590	KIT,1-5/8,T21L,CE/CA/BU ZCH2 54P	1
	<i>GS8110590-316SS</i>	<i>KIT,1-5/8,T21L,CE/CA/BU,316SS MET ZCH2 54P</i>	<i>1</i>
	<i>GS8110694-316SS</i>	<i>KIT,1-5/8,54P,T21,TC/SC/BU 316SS MET ZC2</i>	<i>1</i>
17	GX5076700	CAPSCRW,HX,5/8-11X1-1/2,18-8SS HX HD	4
18	GX5077200	CAPSCRW,HX,3/8-16X1-1/4,18-8SS HX HD	8
21	GX5099300	O-RING,1-3/8X1-1/2X1/16,BUNA SLEEVE	1
	<i>GX5099301</i>	<i>O-RING,T1 T21,1-5/8,EPDM,SLV (1-3/8 X 1-1/2 X 1/16)</i>	<i>1</i>
	<i>GX5099302</i>	<i>O-RING,33/43,VIT,FDA COMPL DCH3</i>	<i>1</i>
22	BW8110531	RING,WEAR,5X4P,BZ ZC2 ZCH2 5X4P	1
23	BX8204231	STUFFING BOX,4X3L,BZ,JM,T21/T1 ZCH2	1



Ref #	Component
1	Casing
2	Cover
3	Impeller
4	Adapter
5	Wear Ring (Casing)
6	Shaft Sleeve
7	Impeller Screw
8	Slinger
9	Gasket, Casing
10	Gasket, Impeller Screw
11	O-Ring, Shaft Sleeve
12	Splashplate
13	Key, Impeller
14	Seal Kit
17	Capscrew (Motor/Adapter)
18	Capscrew (Cover/Adapter)
21*	O-Ring, Shaft Sleeve
22**	Wear Ring (Cover)
23	Stuffing Box
24	Gasket, Stuffing Box
26	Capscrew (Casing/Cover)
27	Capscrew (Cover/Stuffing Box)

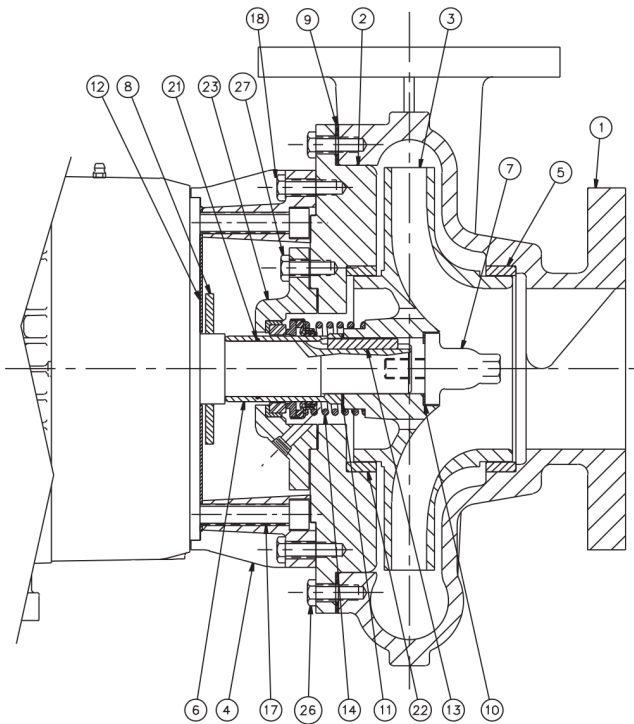
\* ZCH2 Only

\*\* Not Required for 1-1/2 x 1-1/2 Models

**Exploded View**

*Optional Items Shown in ITALICS*

Ref #	Component Item No.	Description	Qty Per
24	<b>GX5041900</b>	<b>GASKET,4X3X1/32,N-8090,STFBX STUFFING BOX</b>	<b>1</b>
26	<b>SC1710H-SS</b>	<b>CAPSCRW,HX,1/2-13X1,18-8SS HX HD</b>	<b>8</b>
27	<b>GX5077100</b>	<b>CAPSCRW,HX,3/8-16X1,18-8SS HX HD</b>	<b>4</b>



Ref #	Component
1	Casing
2	Cover
3	Impeller
4	Adapter
5	Wear Ring (Casing)
6	Shaft Sleeve
7	Impeller Screw
8	Slinger
9	Gasket, Casing
10	Gasket, Impeller Screw
11	O-Ring, Shaft Sleeve
12	Splashplate
13	Key, Impeller
14	Seal Kit
17	Capscrew (Motor/Adapter)
18	Capscrew (Cover/Adapter)
21*	O-Ring, Shaft Sleeve
22**	Wear Ring (Cover)
23	Stuffing Box
24	Gasket, Stuffing Box
26	Capscrew (Casing/Cover)
27	Capscrew (Cover/Stuffing Box)

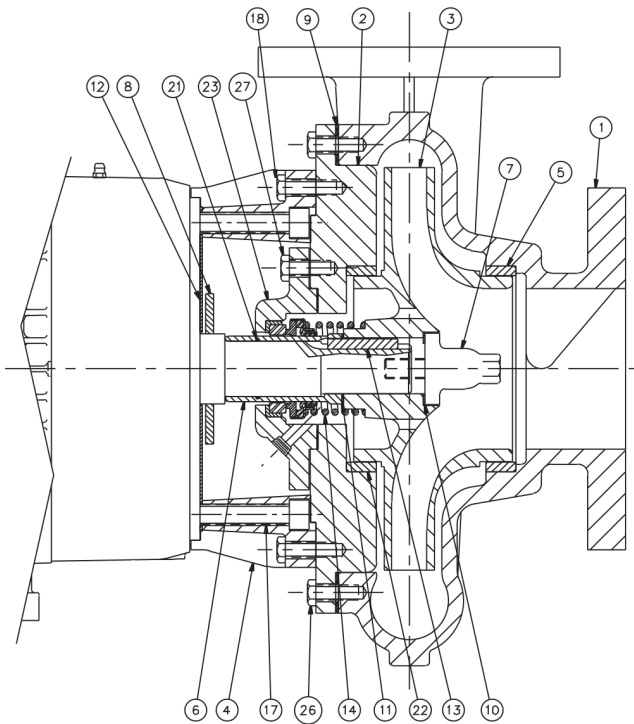
\* ZCH2 Only

\*\* Not Required for 1-1/2 x 1-1/2 Models

**Exploded View**

*Optional Items Shown in ITALICS*

Ref #	Component Item No.	Description	Qty Per
1	BV8402021	CASING,6X6,BZ ZCH2	1
2	BC8402071	COVER,6X6,BZ ZCH2	1
3	BI8303121	IMPELLER,6X6,BZ ZCH2	1
4	GX8402091	ADAPTER,210/250 JP,6X6 ZCH2	1
6	BX8204131	SLEEVE,SHFT,6X6,BZ ZCH2	1
7	BI8102721	SCREW,22/43/66/325/1515,IMP,BZ ECH/ZCH	1
9	GX8204151	GASKET,12-7/16X10-5/16X1/32 N-8090	1
10	GX5099300	O-RING,1-3/8X1-1/2X1/16,BUNA SLEEVE	1
	GX5099301	<i>O-RING,T1 T21,1-5/8,EPDM,SLV (1-3/8 X 1-1/2 X 1/16)</i>	1
	GX5099302	<i>O-RING,33/43,VIT,FDA COMPL DCH3</i>	1
11	GX5041600	GASKET,1-1/4X1-3/4X1/321/4 KEYSLOT,SLV/IMP	1
13	GX5051200	KEY,IMPLR/SLV,2.OX.25X.25 304-SS	1
14	GS8107490	KIT,1-5/8,T21,CE/CA/BU ZCH2 66	1
	GS8107490-316SS	<i>KIT,1-5/8,T21,CE/CA/BU,316SS MET</i>	1
	GS8107500	<i>KIT,1-5/8,T21,CE/CA/VI ZCH2 66</i>	1
17	GX5079700	CAPSCRW,HX,1/2-13X1-1/4,18-8SS HX HD	4
18	GX5077400	CAPSCRW,SH,1/2-13X1-3/4,BLK OX SCKT HD	4
21	GX5099300	O-RING,1-3/8X1-1/2X1/16,BUNA SLEEVE	1
	GX5099301	<i>O-RING,T1 T21,1-5/8,EPDM,SLV (1-3/8 X 1-1/2 X 1/16)</i>	1
	GX5099302	<i>O-RING,33/43,VIT,FDA COMPL DCH3</i>	1
23	BX8303141	STUFFING BOX,6X6,BZ ZCH2	1
24	GX8204141	GASKET,66,STUFF BX ZCH2	1
26	GX5079700	CAPSCRW,HX,1/2-13X1-1/4,18-8SS HX HD	8



Ref #	Component
1	Casing
2	Cover
3	Impeller
4	Adapter
5	Wear Ring (Casing)
6	Shaft Sleeve
7	Impeller Screw
8	Slinger
9	Gasket, Casing
10	Gasket, Impeller Screw
11	O-Ring, Shaft Sleeve
12	Splashplate
13	Key, Impeller
14	Seal Kit
17	Capscrew (Motor/Adapter)
18	Capscrew (Cover/Adapter)
21*	O-Ring, Shaft Sleeve
22**	Wear Ring (Cover)
23	Stuffing Box
24	Gasket, Stuffing Box
26	Capscrew (Casing/Cover)
27	Capscrew (Cover/Stuffing Box)

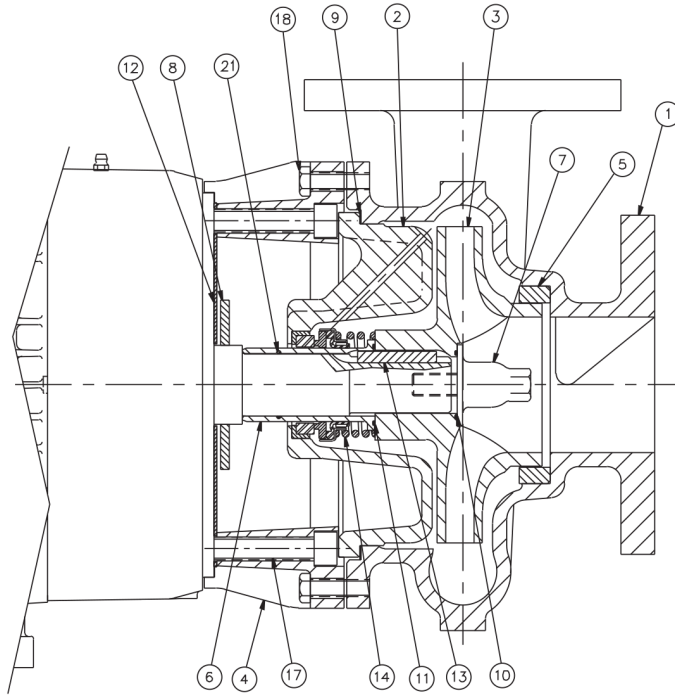
\* ZCH2 Only

\*\* Not Required for 1-1/2 x 1-1/2 Models

**Exploded View**

*Optional Items Shown in ITALICS*

Ref #	Component Item No.	Description	Qty Per
1	BV8402021	CASING,6X6,BZ ZCH2	1
2	BC8402071	COVER,6X6,BZ ZCH2	1
3	BI8303121	IMPELLER,6X6,BZ ZCH2	1
4	GX8402101	ADAPTER,280 JP,6X6 ZCH2	1
6	BX8204131	SLEEVE,SHFT,6X6,BZ ZCH2	1
7	BI8102721	SCREW,22/43/66/325/1515,IMP,BZ ECH/ZCH	1
9	GX8204151	GASKET,12-7/16X10-5/16X1/32 N-8090	1
10	GX5099300	O-RING,1-3/8X1-1/2X1/16,BUNA SLEEVE	1
	<i>GX5099301</i>	<i>O-RING,T1 T21,1-5/8,EPDM,SLV (1-3/8 X 1-1/2 X 1/16)</i>	<i>1</i>
	<i>GX5099302</i>	<i>O-RING,33/43,VIT,FDA COMPL DCH3</i>	<i>1</i>
11	GX5041600	GASKET,1-1/4X1-3/4X1/321/4 KEYSLOT,SLV/IMP	1
13	GX5051200	KEY,IMPLR/SLV,2.OX.25X.25 304-SS	1
14	GS8107490	KIT,1-5/8,T21,CE/CA/BU ZCH2 66	1
	<i>GS8107490-316SS</i>	<i>KIT,1-5/8,T21,CE/CA/BU,316SS MET</i>	<i>1</i>
	<i>GS8107500</i>	<i>KIT,1-5/8,T21,CE/CA/VI ZCH2 66</i>	<i>1</i>
17	GX5076700	CAPSCRW,HX,5/8-11X1-1/2,18-8SS HX HD	4
18	GX5077400	CAPSCRW,SH,1/2-13X1-3/4,BLK OX SCKT HD	4
21	GX5099300	O-RING,1-3/8X1-1/2X1/16,BUNA SLEEVE	1
	<i>GX5099301</i>	<i>O-RING,T1 T21,1-5/8,EPDM,SLV (1-3/8 X 1-1/2 X 1/16)</i>	<i>1</i>
	<i>GX5099302</i>	<i>O-RING,33/43,VIT,FDA COMPL DCH3</i>	<i>1</i>
23	BX8303141	STUFFING BOX,6X6,BZ ZCH2	1
24	GX8204141	GASKET,66,STUFF BX ZCH2	1
26	GX5079700	CAPSCRW,HX,1/2-13X1-1/4,18-8SS HX HD	8



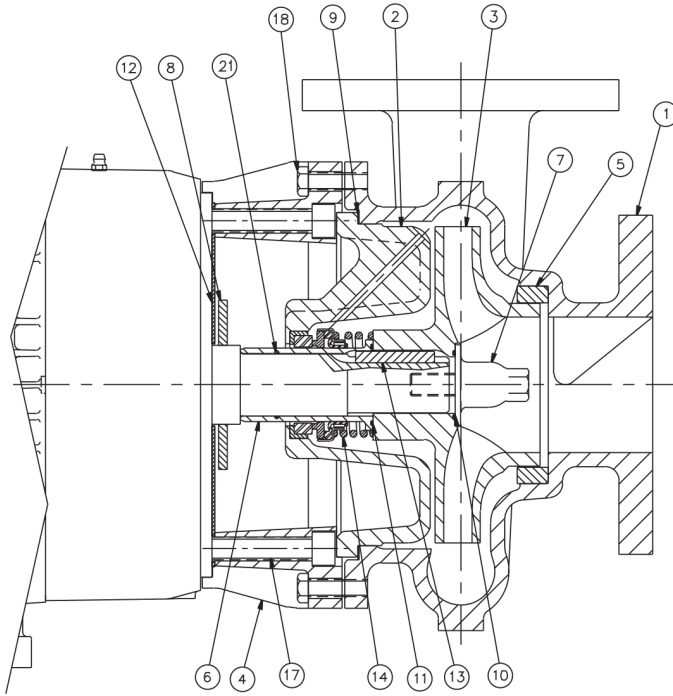
Ref #	Component
1	Casing
2	Cover
3	Impeller
4	Adapter
5	Wear Ring (Casing)
6	Shaft Sleeve
7	Impeller Screw
8	Slinger
9	Gasket, Casing
10	Gasket, Impeller Screw
11	O-Ring, Shaft Sleeve
12	Splashplate
13	Key, Impeller
14	Seal Kit
17	Capscrew (Motor/Adapter)
18	Capscrew (Casing/Adapter)
21*	O-Ring, Shaft Sleeve
22**	Wear Ring (Cover)

\* ZCH2 Only  
\*\* ZC2/ZCH2 4 x 3 Only

**Exploded View**

*Optional Items Shown in ITALICS*

Ref #	Component Item No.	Description	Qty Per
1	DV8400747	CASING,1-1/2X1-1/4,2205 ZC2	1
2	DC8301337	COVER,2-1/2X2,2205 ZC2	1
3	DI8201397	IMPELLER,1-1/2X1-1/4,2205 ZC2	1
4	GX8400951	ADAPTER,100 JM FRAME ZC2	1
	<i>SX8400952</i>	<i>ADAPTER,100 JM FRAME,SS ZC2</i>	1
5	DW8100127	RING,WEAR,1-1/2 SUCTION ZC2 1-1/2X1-1/4	1
6	DX8103727	SLEEVE,SHFT,2205 ZC2	1
7	DI8107277	SCREW,IMP,2205 ZC2	1
8	GX5042301	SLINGER,1-7/32X3-1/4X5/32 80 DUR (180JM-210JM)	1
	<i>GX5042300</i>	<i>SLINGER,1-1/8X3-1/4X5/32 80 DUR (140JM)</i>	1
9	GX5041000	GASKET,6-5/8X7-5/32X1/32 ,N-8090	1
10	GX5040500	GASKET,IMP SCRW,7/8X1-3/8X1/32	1
11	GX5098300	O-RING,T21,1-1/4,BUNA,SLV	1
	<i>GX5098301</i>	<i>O-RING,T21,1-1/4,EPDM,SLV (1-1/4 X 1-3/8 X 1/16)</i>	1
	<i>GX5098302</i>	<i>O-RING,43/252/325,VIT DC3</i>	1
12	GX5091600	SPLASHPLATE,EC2/KC2/RC2/ZC2,SS FR143-184	1
13	GX5051300	KEY,IMP, .187SQX1.5 EC KC RC ZC	1
14	GS8103410	KIT,1-1/4,T21,CE/CA/BU ZC2	1
	<i>GS8103410-316SS</i>	<i>KIT,1-1/4,T21,CE/CA/BU,316SS MET ZC2</i>	1
	<i>GS8105960</i>	<i>KIT,1-1/4,T21,CE/CA/VI ZC2</i>	1
	<i>GS8105960-316SS</i>	<i>KIT,1-1/4,T21,CE/CA/VI,316SS MET ZC2</i>	1
	<i>GS8106590</i>	<i>KIT,1-1/4,T21,NI/CA/BU ZC2</i>	1
	<i>GS8106590-316SS</i>	<i>KIT,1-1/4,T21,NI/CA/BU,316SS MET ZC2</i>	1
	<i>GS8106620</i>	<i>KIT,1-1/4,T21,CE/CA/EP ZC2</i>	1
	<i>GS8106620-316SS</i>	<i>KIT,1-1/4,T21,CE/CA/EP,316SS MET ZC2</i>	1
	<i>GS8106610</i>	<i>KIT,1-1/4,T21,TC/CA/VI ZC2 1512,215,252,325,43</i>	1
	<i>GS8107830</i>	<i>KIT,1-1/4,T21,SC/CA/VI ZC2</i>	1



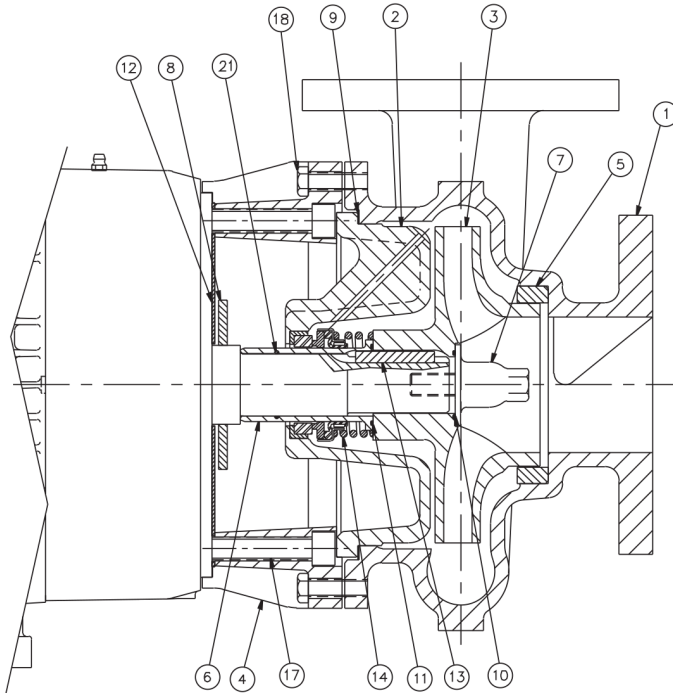
Ref #	Component
1	Casing
2	Cover
3	Impeller
4	Adapter
5	Wear Ring (Casing)
6	Shaft Sleeve
7	Impeller Screw
8	Slinger
9	Gasket, Casing
10	Gasket, Impeller Screw
11	O-Ring, Shaft Sleeve
12	Splashplate
13	Key, Impeller
14	Seal Kit
17	Capscrew (Motor/Adapter)
18	Capscrew (Casing/Adapter)
21*	O-Ring, Shaft Sleeve
22**	Wear Ring (Cover)

\* ZCH2 Only  
\*\* ZC2/ZCH2 4 x 3 Only

**Exploded View**

*Optional Items Shown in ITALICS*

Ref #	Component Item No.	Description	Qty Per
14	<i>GS8111170-316SS</i>	<i>KIT, 1-1/4, T21, TC/SC/BU, 316SS MET ZC2 1512, 215, 252, 325, 43</i>	1
17	<b>GX5077100</b>	<b>CAPSCRW, HX, 3/8-16X1, 18-8SS HX HD</b>	4
18	<b>GX5077100</b>	<b>CAPSCRW, HX, 3/8-16X1, 18-8SS HX HD</b>	8



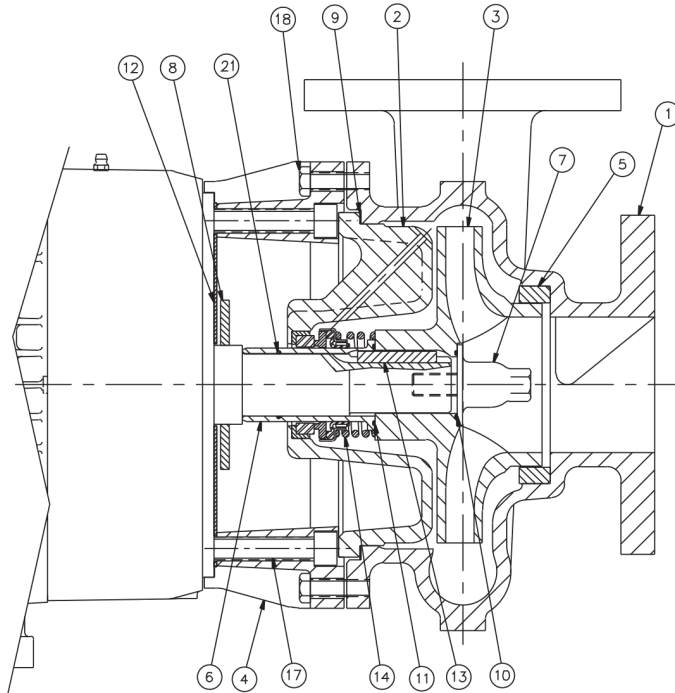
Ref #	Component
1	Casing
2	Cover
3	Impeller
4	Adapter
5	Wear Ring (Casing)
6	Shaft Sleeve
7	Impeller Screw
8	Slinger
9	Gasket, Casing
10	Gasket, Impeller Screw
11	O-Ring, Shaft Sleeve
12	Splashplate
13	Key, Impeller
14	Seal Kit
17	Capscrew (Motor/Adapter)
18	Capscrew (Casing/Adapter)
21*	O-Ring, Shaft Sleeve
22**	Wear Ring (Cover)

\* ZCH2 Only  
\*\* ZC2/ZCH2 4 x 3 Only

**Exploded View**

*Optional Items Shown in ITALICS*

Ref #	Component Item No.	Description	Qty Per
1	DV8400747	CASING,1-1/2X1-1/4,2205 ZC2	1
2	DC8301337	COVER,2-1/2X2,2205 ZC2	1
3	DI8201397	IMPELLER,1-1/2X1-1/4,2205 ZC2	1
4	GX8301391	ADAPTER,210 JM FRAME ZC2	1
	<i>SX8301392</i>	<i>ADAPTER,210 JM FRAME,SS ZC2</i>	1
5	DW8100127	RING,WEAR,1-1/2 SUCTION ZC2 1-1/2X1-1/4	1
6	DX8103727	SLEEVE,SHFT,2205 ZC2	1
7	DI8107277	SCREW,IMP,2205 ZC2	1
8	GX5042301	SLINGER,1-7/32X3-1/4X5/32 80 DUR (180JM-210JM)	1
9	GX5041000	GASKET,6-5/8X7-5/32X1/32 ,N-8090	1
10	GX5040500	GASKET,IMP SCRW,7/8X1-3/8X1/32	1
11	GX5098300	O-RING,T21,1-1/4,BUNA,SLV	1
	<i>GX5098301</i>	<i>O-RING,T21,1-1/4,EPDM,SLV (1-1/4 X 1-3/8 X 1/16)</i>	1
	<i>GX5098302</i>	<i>O-RING,43/252/325,VIT DC3</i>	1
12	GX5091400	SPLASHPLATE,EC2/KC2/RC2/ZC2,SS FR213-256	1
13	GX5051300	KEY,IMP, .187SQX1.5 EC KC RC ZC	1
14	GS8103410	KIT,1-1/4,T21,CE/CA/BU ZC2	1
	<i>GS8103410-316SS</i>	<i>KIT,1-1/4,T21,CE/CA/BU,316SS MET ZC2</i>	1
	<i>GS8105960</i>	<i>KIT,1-1/4,T21,CE/CA/VI ZC2</i>	1
	<i>GS8105960-316SS</i>	<i>KIT,1-1/4,T21,CE/CA/VI,316SS MET ZC2</i>	1
	<i>GS8106590</i>	<i>KIT,1-1/4,T21,NI/CA/BU ZC2</i>	1
	<i>GS8106590-316SS</i>	<i>KIT,1-1/4,T21,NI/CA/BU,316SS MET ZC2</i>	1
	<i>GS8106620</i>	<i>KIT,1-1/4,T21,CE/CA/EP ZC2</i>	1
	<i>GS8106620-316SS</i>	<i>KIT,1-1/4,T21,CE/CA/EP,316SS MET ZC2</i>	1
	<i>GS8106610</i>	<i>KIT,1-1/4,T21,TC/CA/VI ZC2 1512,215,252,325,43</i>	1
	<i>GS8107830</i>	<i>KIT,1-1/4,T21,SC/CA/VI ZC2</i>	1
	<i>GS8111170-316SS</i>	<i>KIT,1-1/4,T21,TC/SC/BU,316SS MET ZC2 1512,215,252,325,43</i>	1



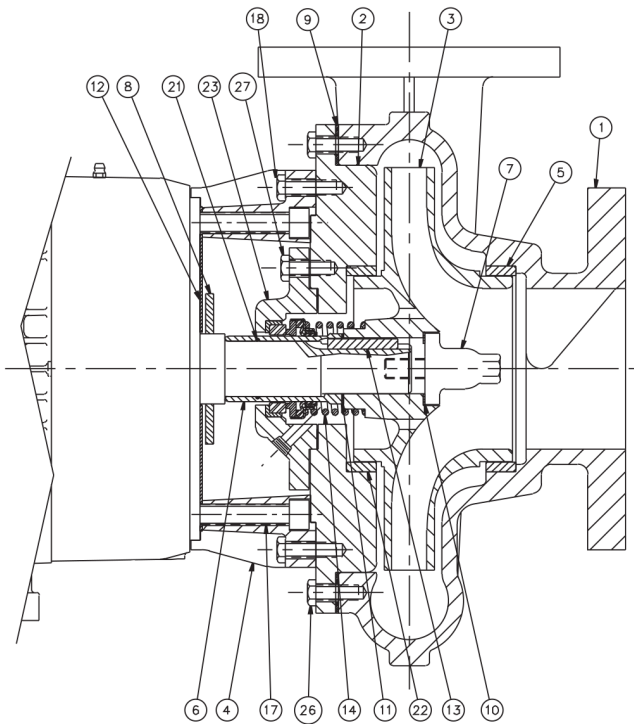
Ref #	Component
1	Casing
2	Cover
3	Impeller
4	Adapter
5	Wear Ring (Casing)
6	Shaft Sleeve
7	Impeller Screw
8	Slinger
9	Gasket, Casing
10	Gasket, Impeller Screw
11	O-Ring, Shaft Sleeve
12	Splashplate
13	Key, Impeller
14	Seal Kit
17	Capscrew (Motor/Adapter)
18	Capscrew (Casing/Adapter)
21*	O-Ring, Shaft Sleeve
22**	Wear Ring (Cover)

\* ZCH2 Only  
\*\* ZC2/ZCH2 4 x 3 Only

**Exploded View**

*Optional Items Shown in ITALICS*

Ref #	Component Item No.	Description	Qty Per
17	<b>GX5077400</b>	<b>CAPSCRW,SH,1/2-13X1-3/4,BLK OX SCKT HD</b>	<b>4</b>
18	<b>GX5077100</b>	<b>CAPSCRW,HX,3/8-16X1,18-8SS HX HD</b>	<b>4</b>
	<b>GX5077200</b>	<b>CAPSCRW,HX,3/8-16X1-1/4,18-8SS HX HD</b>	<b>4</b>



Ref #	Component
1	Casing
2	Cover
3	Impeller
4	Adapter
5	Wear Ring (Casing)
6	Shaft Sleeve
7	Impeller Screw
8	Slinger
9	Gasket, Casing
10	Gasket, Impeller Screw
11	O-Ring, Shaft Sleeve
12	Splashplate
13	Key, Impeller
14	Seal Kit
17	Capscrew (Motor/Adapter)
18	Capscrew (Cover/Adapter)
21*	O-Ring, Shaft Sleeve
22**	Wear Ring (Cover)
23	Stuffing Box
24	Gasket, Stuffing Box
26	Capscrew (Casing/Cover)
27	Capscrew (Cover/Stuffing Box)

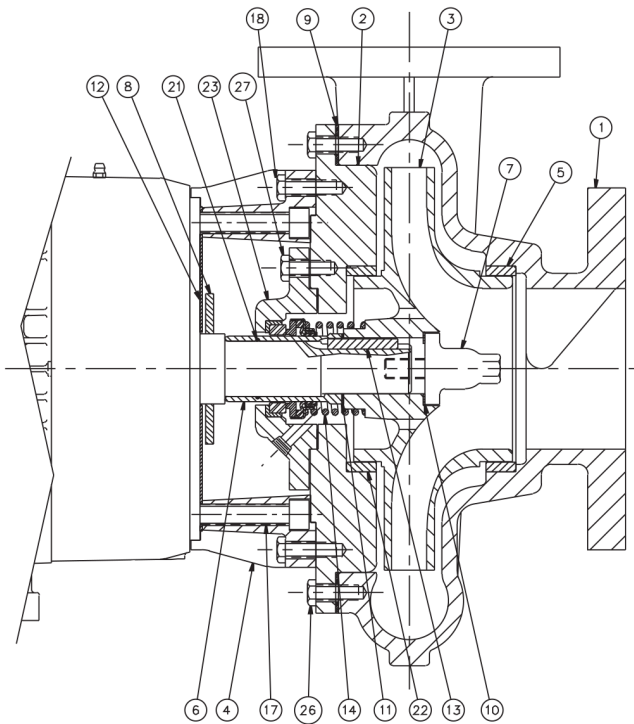
\* ZCH2 Only

\*\* Not Required for 1-1/2 x 1-1/2 Models

**Exploded View**

*Optional Items Shown in ITALICS*

Ref #	Component Item No.	Description	Qty Per
1	DV8402457	CASING,1-1/2X1-1/2 ZC2	1
2	DC8402187	COVER,22/1515,JM,2205 ZC2 ZCH2	1
3	DI8303887	IMPELLER,1-1/2X1-1/2,2205 ZC2	1
4	GX8400951	ADAPTER,100 JM FRAME ZC2	1
	<i>SX8400952</i>	<i>ADAPTER,100 JM FRAME,SS ZC2</i>	<i>1</i>
5	DW8101567	RING,WEAR,1-1/2X1-1/2,2205 ZC2 ZCH2 1-1/2X1-1/2	1
6	DX8107757	SLEEVE,SHFT,4X3L,2205 ZC2	1
7	DI8107277	SCREW,IMP,2205 ZC2	1
8	GX5042301	SLINGER,1-7/32X3-1/4X5/32 80 DUR (180JM-210JM)	1
9	GX5041300	GASKET,9-1/4 X 10 X1/16,N-8090	1
10	GX5040500	GASKET,IMP SCRW,7/8X1-3/8X1/32	1
11	GX5040000	GASKET,7/8X1-1/2X1/32,N-8090	1
12	GX5091600	SPLASHPLATE,EC2/KC2/RC2/ZC2,SS FR143-184	1
13	GX5051300	KEY,IMP, .187SQX1.5 EC KC RC ZC	1
14	GS8108160	KIT,1-1/4,T21,CE/CA/BU ZC2	1
	<i>GS8108160-316SS</i>	<i>KIT,1-1/4,T21,CE/CA/BU,316SS MET ZC2</i>	<i>1</i>
	<i>GS8108170</i>	<i>KIT,1-1/4,T21,CE/CA/VI ZC2</i>	<i>1</i>
	<i>GS8108170-316SS</i>	<i>KIT,1-1/4,T21,CE/CA/VI,316SS MET ZC2</i>	<i>1</i>
17	GX5077100	CAPSCRW,HX,3/8-16X1,18-8SS HX HD	4
18	GX5077100	CAPSCRW,HX,3/8-16X1,18-8SS HX HD	8
23	DX8204307	STUFFING BOX,2205,JM,SGL SEAL ZC2	1
24	GX5041900	GASKET,4X3X1/32,N-8090,STFBX STUFFING BOX	1
26	GX5077100	CAPSCRW,HX,3/8-16X1,18-8SS HX HD	8
27	GX5077100	CAPSCRW,HX,3/8-16X1,18-8SS HX HD	4



Ref #	Component
1	Casing
2	Cover
3	Impeller
4	Adapter
5	Wear Ring (Casing)
6	Shaft Sleeve
7	Impeller Screw
8	Slinger
9	Gasket, Casing
10	Gasket, Impeller Screw
11	O-Ring, Shaft Sleeve
12	Splashplate
13	Key, Impeller
14	Seal Kit
17	Capscrew (Motor/Adapter)
18	Capscrew (Cover/Adapter)
21*	O-Ring, Shaft Sleeve
22**	Wear Ring (Cover)
23	Stuffing Box
24	Gasket, Stuffing Box
26	Capscrew (Casing/Cover)
27	Capscrew (Cover/Stuffing Box)

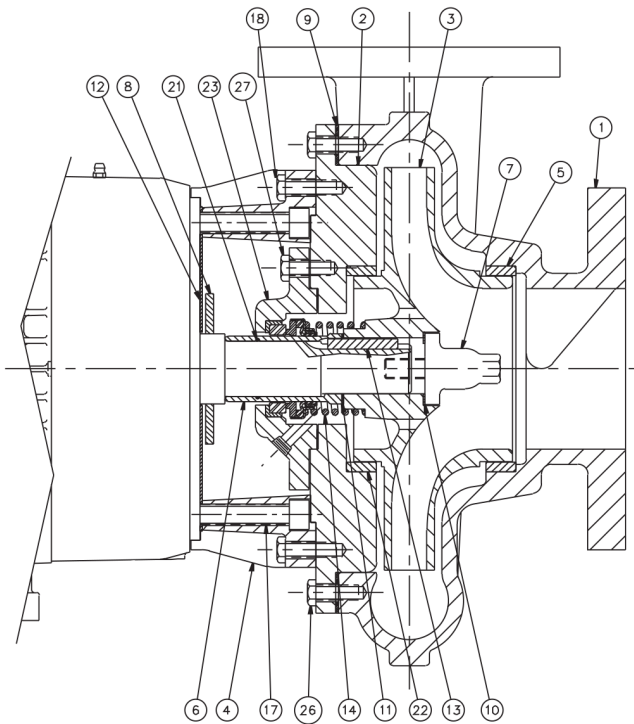
\* ZCH2 Only

\*\* Not Required for 1-1/2 x 1-1/2 Models

**Exploded View**

*Optional Items Shown in ITALICS*

Ref #	Component Item No.	Description	Qty Per
1	DV8402457	CASING,1-1/2X1-1/2 ZC2	1
2	DC8402187	COVER,22/1515,JM,2205 ZC2 ZCH2	1
3	DI8303887	IMPELLER,1-1/2X1-1/2,2205 ZC2	1
4	GX8301391	ADAPTER,210 JM FRAME ZC2	1
	<i>SX8301392</i>	<i>ADAPTER,210 JM FRAME,SS ZC2</i>	<i>1</i>
5	DW8101567	RING,WEAR,1-1/2X1-1/2,2205 ZC2 ZCH2 1-1/2X1-1/2	1
6	DX8107757	SLEEVE,SHFT,4X3L,2205 ZC2	1
7	DI8107277	SCREW,IMP,2205 ZC2	1
8	GX5042301	SLINGER,1-7/32X3-1/4X5/32 80 DUR (180JM-210JM)	1
9	GX5041300	GASKET,9-1/4 X 10 X1/16,N-8090	1
10	GX5040500	GASKET,IMP SCRW,7/8X1-3/8X1/32	1
11	GX5040000	GASKET,7/8X1-1/2X1/32,N-8090	1
12	GX5091400	SPLASHPLATE,EC2/KC2/RC2/ZC2,SS FR213-256	1
13	GX5051300	KEY,IMP,,187SQX1.5 EC KC RC ZC	1
14	GS8108160	KIT,1-1/4,T21,CE/CA/BU ZC2	1
	<i>GS8108160-316SS</i>	<i>KIT,1-1/4,T21,CE/CA/BU,316SS MET ZC2</i>	<i>1</i>
	<i>GS8108170</i>	<i>KIT,1-1/4,T21,CE/CA/VI ZC2</i>	<i>1</i>
	<i>GS8108170-316SS</i>	<i>KIT,1-1/4,T21,CE/CA/VI,316SS MET ZC2</i>	<i>1</i>
17	GX5077400	CAPSCRW,SH,1/2-13X1-3/4,BLK OX SCKT HD	4
18	GX5077100	CAPSCRW,HX,3/8-16X1,18-8SS HX HD	4
	GX5077200	CAPSCRW,HX,3/8-16X1-1/4,18-8SS HX HD	4
21	GX5038500	O-RING,,989X1.29X.070,BUNA 70 DUR, IMP SCRW	1
	<i>GX5038502</i>	<i>O-RING,T21,1-1/4,EPDM (2-022)</i>	<i>1</i>
	<i>GX5038501</i>	<i>O-RING,43/252/325,VIT,FDA CMPL DC3 ZC2</i>	<i>1</i>
23	DX8204307	STUFFING BOX,2205,JM,SGL SEAL ZC2	1
24	GX5041900	GASKET,4X3X1/32,N-8090,STFBX STUFFING BOX	1
26	GX5077100	CAPSCRW,HX,3/8-16X1,18-8SS HX HD	8



Ref #	Component
1	Casing
2	Cover
3	Impeller
4	Adapter
5	Wear Ring (Casing)
6	Shaft Sleeve
7	Impeller Screw
8	Slinger
9	Gasket, Casing
10	Gasket, Impeller Screw
11	O-Ring, Shaft Sleeve
12	Splashplate
13	Key, Impeller
14	Seal Kit
17	Capscrew (Motor/Adapter)
18	Capscrew (Cover/Adapter)
21*	O-Ring, Shaft Sleeve
22**	Wear Ring (Cover)
23	Stuffing Box
24	Gasket, Stuffing Box
26	Capscrew (Casing/Cover)
27	Capscrew (Cover/Stuffing Box)

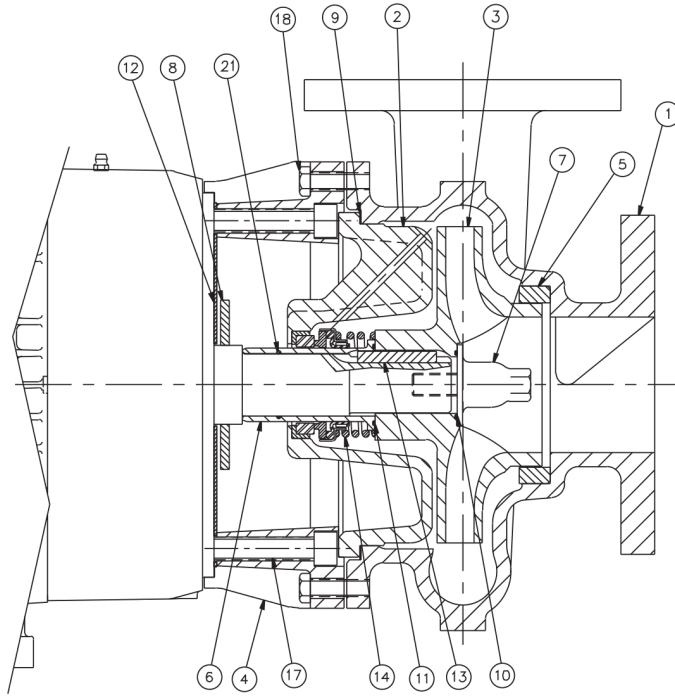
\* ZCH2 Only

\*\* Not Required for 1-1/2 x 1-1/2 Models

**Exploded View**

*Optional Items Shown in ITALICS*

Ref #	Component Item No.	Description	Qty Per
27	GX5077100	CAPSCRW,HX,3/8-16X1,18-8SS HX HD	4



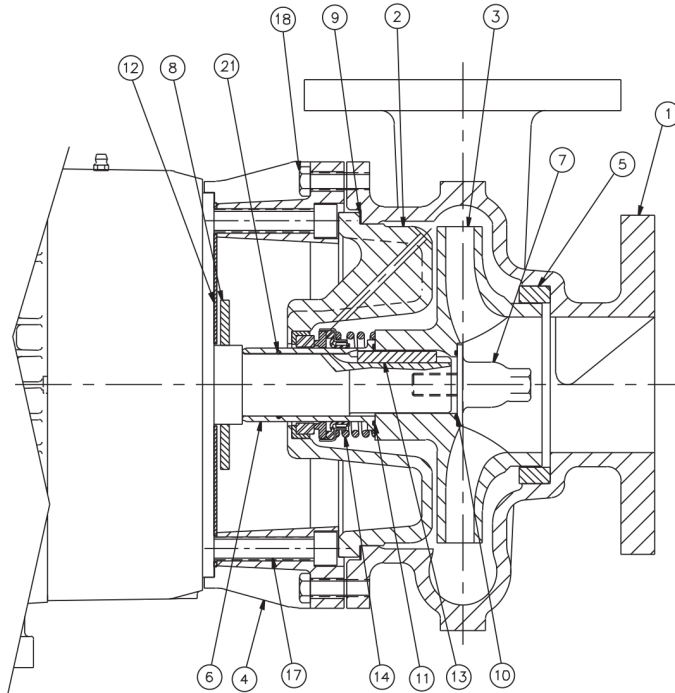
Ref #	Component
1	Casing
2	Cover
3	Impeller
4	Adapter
5	Wear Ring (Casing)
6	Shaft Sleeve
7	Impeller Screw
8	Slinger
9	Gasket, Casing
10	Gasket, Impeller Screw
11	O-Ring, Shaft Sleeve
12	Splashplate
13	Key, Impeller
14	Seal Kit
17	Capscrew (Motor/Adapter)
18	Capscrew (Casing/Adapter)
21*	O-Ring, Shaft Sleeve
22**	Wear Ring (Cover)

\* ZCH2 Only  
\*\* ZC2/ZCH2 4 x 3 Only

**Exploded View**

*Optional Items Shown in ITALICS*

Ref #	Component Item No.	Description	Qty Per
1	DV8400757	CASING,2X1-1/2 ZC2	1
2	DC8301337	COVER,2-1/2X2,2205 ZC2	1
3	DI8201447	IMPELLER,2X1-1/2,2205 ZC2	1
4	GX8400951	ADAPTER,100 JM FRAME ZC2	1
	<i>SX8400952</i>	<i>ADAPTER,100 JM FRAME,SS ZC2</i>	1
5	DW8100117	RING,WEAR,2 SUCTION,2205 ZC2 ZCH2 2X2	1
6	DX8103727	SLEEVE,SHFT,2205 ZC2	1
7	DI8107277	SCREW,IMP,2205 ZC2	1
8	GX5042301	SLINGER,1-7/32X3-1/4X5/32 80 DUR (180JM-210JM)	1
	<i>GX5042300</i>	<i>SLINGER,1-1/8X3-1/4X5/32 80 DUR (140JM)</i>	1
9	GX5041000	GASKET,6-5/8X7-5/32X1/32 ,N-8090	1
10	GX5040500	GASKET,IMP SCRW,7/8X1-3/8X1/32	1
11	GX5098300	O-RING,T21,1-1/4,BUNA,SLV	1
	<i>GX5098301</i>	<i>O-RING,T21,1-1/4,EPDM,SLV (1-1/4 X 1-3/8 X 1/16)</i>	1
	<i>GX5098302</i>	<i>O-RING,43/252/325,VIT DC3</i>	1
12	GX5091600	SPLASHPLATE,EC2 KC2 RC2 ZC2,SS FR143-184	1
13	GX5051300	KEY,IMP, .187SQX1.5 EC KC RC ZC	1
14	GS8103410	KIT,1-1/4,T21,CE/CA/BU ZC2	1
	<i>GS8103410-316SS</i>	<i>KIT,1-1/4,T21,CE/CA/BU,316SS MET ZC2</i>	1
	<i>GS8105960</i>	<i>KIT,1-1/4,T21,CE/CA/VI ZC2</i>	1
	<i>GS8105960-316SS</i>	<i>KIT,1-1/4,T21,CE/CA/VI,316SS MET ZC2</i>	1
	<i>GS8106590</i>	<i>KIT,1-1/4,T21,NI/CA/BU ZC2</i>	1
	<i>GS8106590-316SS</i>	<i>KIT,1-1/4,T21,NI/CA/BU,316SS MET ZC2</i>	1
	<i>GS8106620</i>	<i>KIT,1-1/4,T21,CE/CA/EP ZC2</i>	1
	<i>GS8106620-316SS</i>	<i>KIT,1-1/4,T21,CE/CA/EP,316SS MET ZC2</i>	1
	<i>GS8106610</i>	<i>KIT,1-1/4,T21,TC/CA/VI ZC2 1512,215,252,325,43</i>	1
	<i>GS8107830</i>	<i>KIT,1-1/4,T21,SC/CA/VI ZC2</i>	1



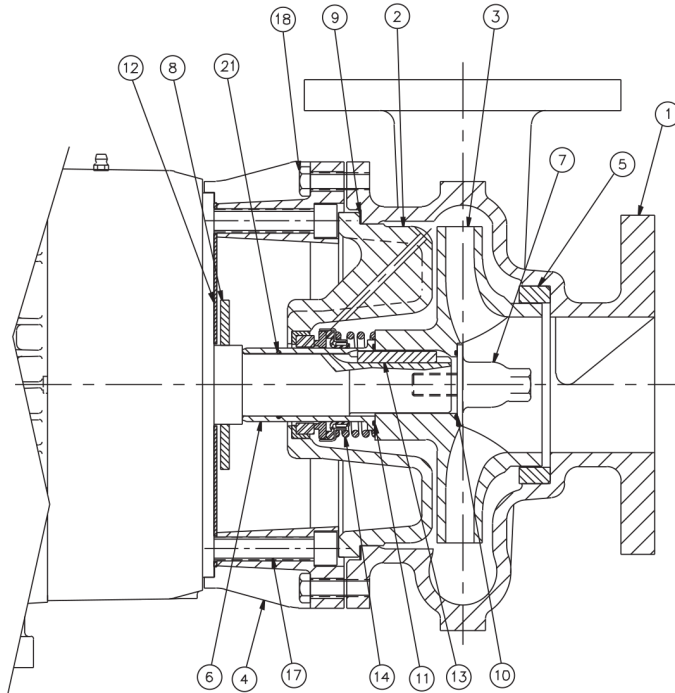
Ref #	Component
1	Casing
2	Cover
3	Impeller
4	Adapter
5	Wear Ring (Casing)
6	Shaft Sleeve
7	Impeller Screw
8	Slinger
9	Gasket, Casing
10	Gasket, Impeller Screw
11	O-Ring, Shaft Sleeve
12	Splashplate
13	Key, Impeller
14	Seal Kit
17	Capscrew (Motor/Adapter)
18	Capscrew (Casing/Adapter)
21*	O-Ring, Shaft Sleeve
22**	Wear Ring (Cover)

\* ZCH2 Only  
\*\* ZC2/ZCH2 4 x 3 Only

**Exploded View**

*Optional Items Shown in ITALICS*

Ref #	Component Item No.	Description	Qty Per
14	<i>GS8111170-316SS</i>	<i>KIT, 1-1/4, T21, TC/SC/BU, 316SS MET ZC2 1512, 215, 252, 325, 43</i>	1
17	<b>GX5077100</b>	<b>CAPSCRW, HX, 3/8-16X1, 18-8SS HX HD</b>	4
18	<b>GX5077100</b>	<b>CAPSCRW, HX, 3/8-16X1, 18-8SS HX HD</b>	8



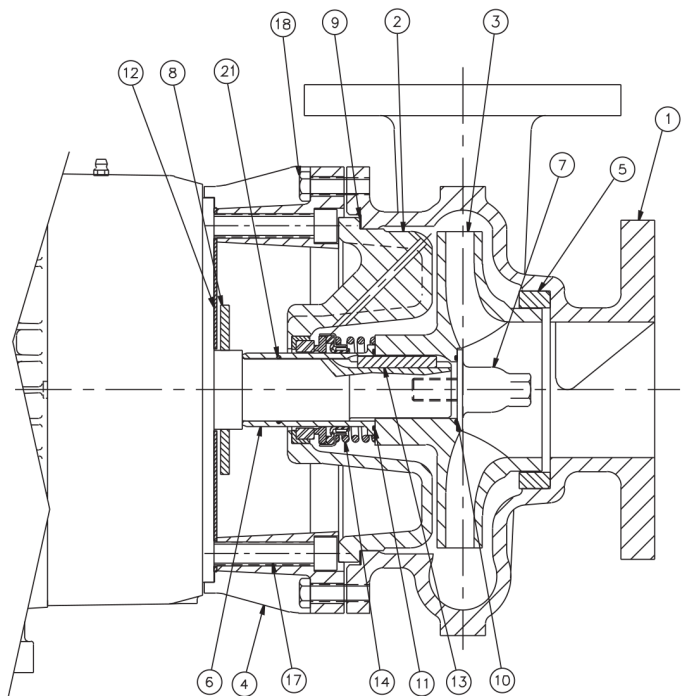
Ref #	Component
1	Casing
2	Cover
3	Impeller
4	Adapter
5	Wear Ring (Casing)
6	Shaft Sleeve
7	Impeller Screw
8	Slinger
9	Gasket, Casing
10	Gasket, Impeller Screw
11	O-Ring, Shaft Sleeve
12	Splashplate
13	Key, Impeller
14	Seal Kit
17	Capscrew (Motor/Adapter)
18	Capscrew (Casing/Adapter)
21*	O-Ring, Shaft Sleeve
22**	Wear Ring (Cover)

\* ZCH2 Only  
\*\* ZC2/ZCH2 4 x 3 Only

**Exploded View**

*Optional Items Shown in ITALICS*

Ref #	Component Item No.	Description	Qty Per
1	DV8400757	CASING,2X1-1/2 ZC2	1
2	DC8301337	COVER,2-1/2X2,2205 ZC2	1
3	DI8201447	IMPELLER,2X1-1/2,2205 ZC2	1
4	GX8301391	ADAPTER,210 JM FRAME ZC2	1
	<i>SX8301392</i>	<i>ADAPTER,210 JM FRAME,SS ZC2</i>	1
5	DW8100117	RING,WEAR,2 SUCTION,2205 ZC2 ZCH2 2X2	1
6	DX8103727	SLEEVE,SHFT,2205 ZC2	1
7	DI8107277	SCREW,IMP,2205 ZC2	1
8	GX5042301	SLINGER,1-7/32X3-1/4X5/32 80 DUR (180JM-210JM)	1
9	GX5041000	GASKET,6-5/8X7-5/32X1/32 ,N-8090	1
10	GX5040500	GASKET,IMP SCRW,7/8X1-3/8X1/32	1
11	GX5098300	O-RING,T21,1-1/4,BUNA,SLV	1
	<i>GX5098301</i>	<i>O-RING,T21,1-1/4,EPDM,SLV (1-1/4 X 1-3/8 X 1/16)</i>	1
	<i>GX5098302</i>	<i>O-RING,43/252/325,VIT DC3</i>	1
12	GX5091400	SPLASHPLATE,EC2 KC2 RC2 ZC2,SS FR213-256	1
13	GX5051300	KEY,IMP, .187SQX1.5 EC KC RC ZC	1
14	GS8103410	KIT,1-1/4,T21,CE/CA/BU ZC2	1
	<i>GS8103410-316SS</i>	<i>KIT,1-1/4,T21,CE/CA/BU,316SS MET ZC2</i>	1
	<i>GS8105960</i>	<i>KIT,1-1/4,T21,CE/CA/VI ZC2</i>	1
	<i>GS8105960-316SS</i>	<i>KIT,1-1/4,T21,CE/CA/VI,316SS MET ZC2</i>	1
	<i>GS8106590</i>	<i>KIT,1-1/4,T21,NI/CA/BU ZC2</i>	1
	<i>GS8106590-316SS</i>	<i>KIT,1-1/4,T21,NI/CA/BU,316SS MET ZC2</i>	1
	<i>GS8106620</i>	<i>KIT,1-1/4,T21,CE/CA/EP ZC2</i>	1
	<i>GS8106620-316SS</i>	<i>KIT,1-1/4,T21,CE/CA/EP,316SS MET ZC2</i>	1
	<i>GS8106610</i>	<i>KIT,1-1/4,T21,TC/CA/VI ZC2 1512,215,252,325,43</i>	1
	<i>GS8107830</i>	<i>KIT,1-1/4,T21,SC/CA/VI ZC2</i>	1
	<i>GS8111170-316SS</i>	<i>KIT,1-1/4,T21,TC/SC/BU,316SS MET ZC2 1512,215,252,325,43</i>	1



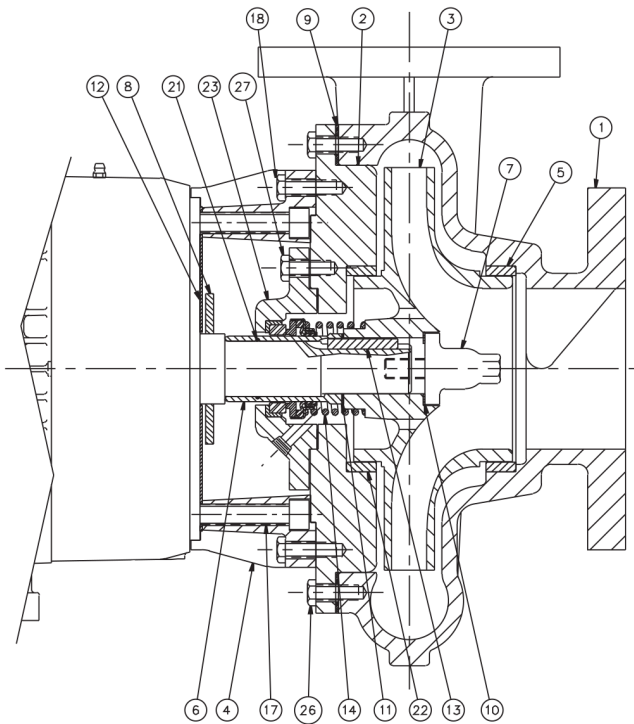
Ref #	Component
1	Casing
2	Cover
3	Impeller
4	Adapter
5	Wear Ring (Casing)
6	Shaft Sleeve
7	Impeller Screw
8	Slinger
9	Gasket, Casing
10	Gasket, Impeller Screw
11	O-Ring, Shaft Sleeve
12	Splashplate
13	Key, Impeller
14	Seal Kit
17	Capscrew (Motor/Adapter)
18	Capscrew (Casing/Adapter)
21*	O-Ring, Shaft Sleeve
22**	Wear Ring (Cover)

\* ZCH2 Only  
\*\* ZC2/ZCH2 4 x 3 Only

**Exploded View**

*Optional Items Shown in ITALICS*

Ref #	Component Item No.	Description	Qty Per
17	GX5077400	CAPSCRW,SH,1/2-13X1-3/4,BLK OX SCKT HD	4
18	GX5077100	CAPSCRW,HX,3/8-16X1,18-8SS HX HD	4
	GX5077200	CAPSCRW,HX,3/8-16X1-1/4,18-8SS HX HD	4



Ref #	Component
1	Casing
2	Cover
3	Impeller
4	Adapter
5	Wear Ring (Casing)
6	Shaft Sleeve
7	Impeller Screw
8	Slinger
9	Gasket, Casing
10	Gasket, Impeller Screw
11	O-Ring, Shaft Sleeve
12	Splashplate
13	Key, Impeller
14	Seal Kit
17	Capscrew (Motor/Adapter)
18	Capscrew (Cover/Adapter)
21*	O-Ring, Shaft Sleeve
22**	Wear Ring (Cover)
23	Stuffing Box
24	Gasket, Stuffing Box
26	Capscrew (Casing/Cover)
27	Capscrew (Cover/Stuffing Box)

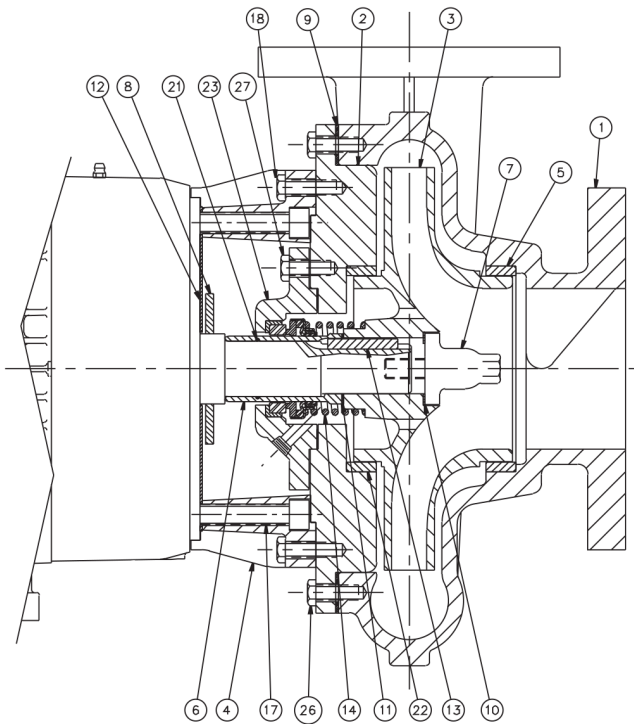
\* ZCH2 Only

\*\* Not Required for 1-1/2 x 1-1/2 Models

**Exploded View**

*Optional Items Shown in ITALICS*

Ref #	Component Item No.	Description	Qty Per
1	DV8402167	CASING,2X2,2205 ZC2	1
2	DC8402187	COVER,22/1515,JM,2205 ZC2 ZCH2	1
3	DI8303757	IMPELLER,2X2,2205 ZC2	1
4	GX8400951	ADAPTER,100 JM FRAME ZC2	1
	<i>SX8400952</i>	<i>ADAPTER,100 JM FRAME,SS ZC2</i>	<i>1</i>
5	DW8100117	RING,WEAR,2 SUCTION,2205 ZC2 ZCH2 2X2	1
6	DX8107757	SLEEVE,SHFT,4X3L,2205 ZC2	1
7	DI8107277	SCREW,IMP,2205 ZC2	1
8	GX5042301	SLINGER,1-7/32X3-1/4X5/32 80 DUR (180JM-210JM)	1
9	GX5041300	GASKET,9-1/4 X 10 X1/16,N-8090	1
10	GX5040500	GASKET,IMP SCRW,7/8X1-3/8X1/32	1
11	GX5040000	GASKET,7/8X1-1/2X1/32,N-8090	1
12	GX5091600	SPLASHPLATE,EC2/KC2/RC2/ZC2,SS FR143-184	1
13	GX5051300	KEY,IMP, .187SQX1.5 EC KC RC ZC	1
14	GS8108160	KIT,1-1/4,T21,CE/CA/BU ZC2	1
	<i>GS8108160-316SS</i>	<i>KIT,1-1/4,T21,CE/CA/BU,316SS MET ZC2</i>	<i>1</i>
	<i>GS8108170</i>	<i>KIT,1-1/4,T21,CE/CA/VI ZC2</i>	<i>1</i>
	<i>GS8108170-316SS</i>	<i>KIT,1-1/4,T21,CE/CA/VI,316SS MET ZC2</i>	<i>1</i>
17	GX5077100	CAPSCRW,HX,3/8-16X1,18-8SS HX HD	4
18	GX5077100	CAPSCRW,HX,3/8-16X1,18-8SS HX HD	8
21	GX5038500	O-RING, .989X1.29X.070,BUNA 70 DUR, IMP SCRW	1
	<i>GX5038502</i>	<i>O-RING,T21,1-1/4,EPDM (2-022)</i>	<i>1</i>
	<i>GX5038501</i>	<i>O-RING,43/252/325,VIT,FDA CMPL DC3 ZC2</i>	<i>1</i>
22	DW8100117	RING,WEAR,2 SUCTION,2205 ZC2 ZCH2 2X2	1
23	DX8204307	STUFFING BOX,2205,JM,SGL SEAL ZC2	1
24	GX5041900	GASKET,4X3X1/32,N-8090,STFBX STUFFING BOX	1
26	GX5077100	CAPSCRW,HX,3/8-16X1,18-8SS HX HD	8



Ref #	Component
1	Casing
2	Cover
3	Impeller
4	Adapter
5	Wear Ring (Casing)
6	Shaft Sleeve
7	Impeller Screw
8	Slinger
9	Gasket, Casing
10	Gasket, Impeller Screw
11	O-Ring, Shaft Sleeve
12	Splashplate
13	Key, Impeller
14	Seal Kit
17	Capscrew (Motor/Adapter)
18	Capscrew (Cover/Adapter)
21*	O-Ring, Shaft Sleeve
22**	Wear Ring (Cover)
23	Stuffing Box
24	Gasket, Stuffing Box
26	Capscrew (Casing/Cover)
27	Capscrew (Cover/Stuffing Box)

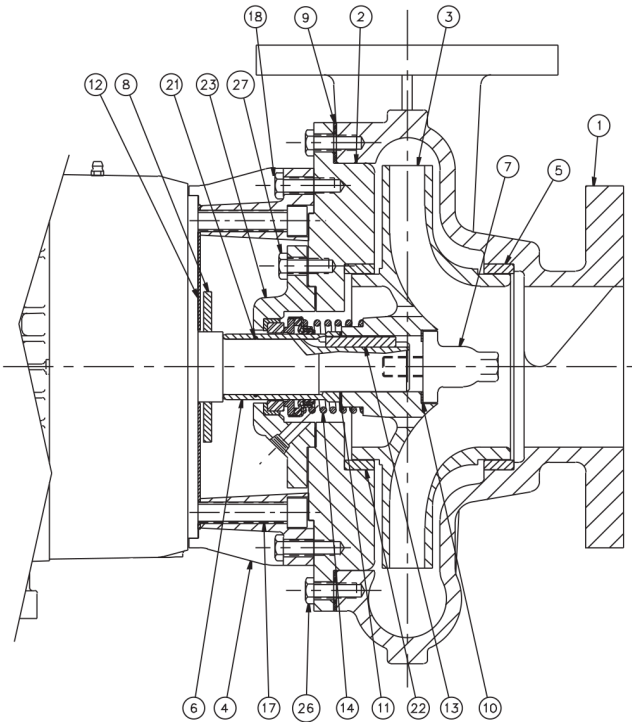
\* ZCH2 Only

\*\* Not Required for 1-1/2 x 1-1/2 Models

**Exploded View**

*Optional Items Shown in ITALICS*

Ref #	Component Item No.	Description	Qty Per
27	<i>GX5077100</i>	<i>CAPSCRW,HX,3/8-16X1,18-8SS HX HD</i>	4



Ref #	Component
1	Casing
2	Cover
3	Impeller
4	Adapter
5	Wear Ring (Casing)
6	Shaft Sleeve
7	Impeller Screw
8	Slinger
9	Gasket, Casing
10	Gasket, Impeller Screw
11	O-Ring, Shaft Sleeve
12	Splashplate
13	Key, Impeller
14	Seal Kit
17	Capscrew (Motor/Adapter)
18	Capscrew (Cover/Adapter)
21*	O-Ring, Shaft Sleeve
22**	Wear Ring (Cover)
23	Stuffing Box
24	Gasket, Stuffing Box
26	Capscrew (Casing/Cover)
27	Capscrew (Cover/Stuffing Box)

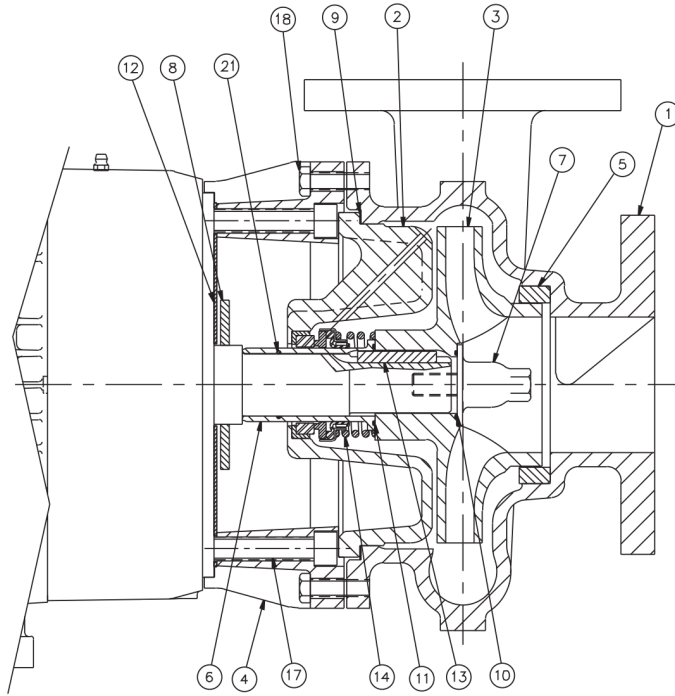
\* ZCH2 Only

\*\* Not Required for 1-1/2 x 1-1/2 Models

**Exploded View**

*Optional Items Shown in ITALICS*

Ref #	Component Item No.	Description	Qty Per
1	DV8402167	CASING,2X2,2205 ZC2	1
2	DC8402187	COVER,22/1515,JM,2205 ZC2 ZCH2	1
3	DI8303757	IMPELLER,2X2,2205 ZC2	1
4	GX8301391	ADAPTER,210 JM FRAME ZC2	1
	<i>SX8301392</i>	<i>ADAPTER,210 JM FRAME,SS ZC2</i>	<i>1</i>
5	DW8100117	RING,WEAR,2 SUCTION,2205 ZC2 ZCH2 2X2	1
6	DX8107757	SLEEVE,SHFT,4X3L,2205 ZC2	1
7	DI8107277	SCREW,IMP,2205 ZC2	1
8	GX5042301	SLINGER,1-7/32X3-1/4X5/32 80 DUR (180JM-210JM)	1
9	GX5041300	GASKET,9-1/4 X 10 X1/16,N-8090	1
10	GX5040500	GASKET,IMP SCRW,7/8X1-3/8X1/32	1
11	GX5040000	GASKET,7/8X1-1/2X1/32,N-8090	1
12	GX5091400	SPLASHPLATE,EC2/KC2/RC2/ZC2,SS FR213-256	1
13	GX5051300	KEY,IMP, .187SQX1.5 EC KC RC ZC	1
14	GS8108160	KIT,1-1/4,T21,CE/CA/BU ZC2	1
	<i>GS8108160-316SS</i>	<i>KIT,1-1/4,T21,CE/CA/BU,316SS MET ZC2</i>	<i>1</i>
	<i>GS8108170</i>	<i>KIT,1-1/4,T21,CE/CA/VI ZC2</i>	<i>1</i>
	<i>GS8108170-316SS</i>	<i>KIT,1-1/4,T21,CE/CA/VI,316SS MET ZC2</i>	<i>1</i>
17	GX5077400	CAPSCRW,SH,1/2-13X1-3/4,BLK OX SCKT HD	4
18	GX5077100	CAPSCRW,HX,3/8-16X1,18-8SS HX HD	4
	GX5077200	CAPSCRW,HX,3/8-16X1-1/4,18-8SS HX HD	4
22	DW8100117	RING,WEAR,2 SUCTION,2205 ZC2 ZCH2 2X2	1
23	DX8204307	STUFFING BOX,2205,JM,SGL SEAL ZC2	1
24	GX5041900	GASKET,4X3X1/32,N-8090,STFBX STUFFING BOX	1
26	GX5077100	CAPSCRW,HX,3/8-16X1,18-8SS HX HD	8
27	GX5077100	CAPSCRW,HX,3/8-16X1,18-8SS HX HD	4



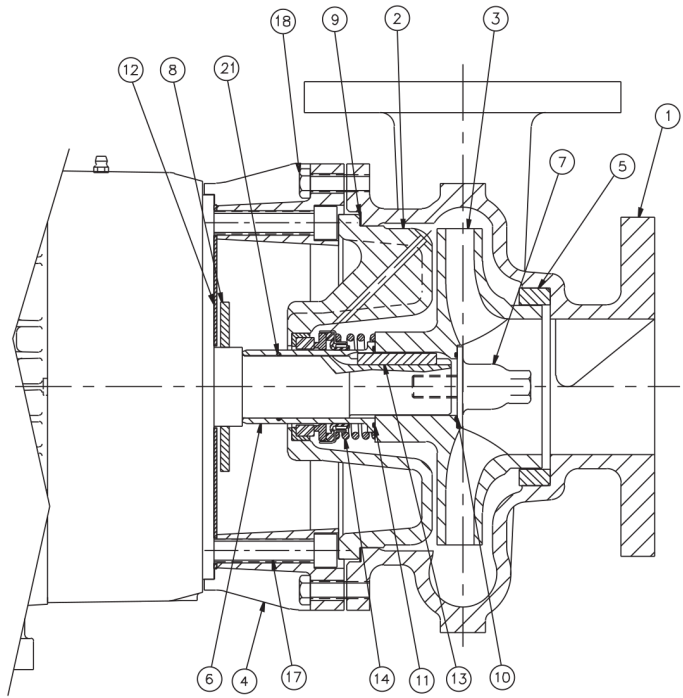
Ref #	Component
1	Casing
2	Cover
3	Impeller
4	Adapter
5	Wear Ring (Casing)
6	Shaft Sleeve
7	Impeller Screw
8	Slinger
9	Gasket, Casing
10	Gasket, Impeller Screw
11	O-Ring, Shaft Sleeve
12	Splashplate
13	Key, Impeller
14	Seal Kit
17	Capscrew (Motor/Adapter)
18	Capscrew (Casing/Adapter)
21*	O-Ring, Shaft Sleeve
22**	Wear Ring (Cover)

\* ZCH2 Only  
\*\* ZC2/ZCH2 4 x 3 Only

**Exploded View**

*Optional Items Shown in ITALICS*

Ref #	Component Item No.	Description	Qty Per
1	DV8401727	CASING,2-1/2X2,2205 ZC2	1
2	DC8301337	COVER,2-1/2X2,2205 ZC2	1
3	DI8200017	IMPELLER,2-1/2X2,2205,SAND CST ZC2	1
4	GX8400951	ADAPTER,100 JM FRAME ZC2	1
	<i>SX8400952</i>	<i>ADAPTER,100 JM FRAME,SS ZC2</i>	1
5	DW8100037	RING,WEAR,2-1/2 SUCTION,2205 ZC2 2-1/2X2	1
6	DX8103727	SLEEVE,SHFT,2205 ZC2	1
7	DI8107277	SCREW,IMP,2205 ZC2	1
8	GX5042301	SLINGER,1-7/32X3-1/4X5/32 80 DUR (180JM-210JM)	1
	<i>GX5042300</i>	<i>SLINGER,1-1/8X3-1/4X5/32 80 DUR (140JM)</i>	1
9	GX5041000	GASKET,6-5/8X7-5/32X1/32 ,N-8090	1
10	GX5040500	GASKET,IMP SCRW,7/8X1-3/8X1/32	1
11	GX5098300	O-RING,T21,1-1/4,BUNA,SLV	1
	<i>GX5098301</i>	<i>O-RING,T21,1-1/4,EPDM,SLV (1-1/4 X 1-3/8 X 1/16)</i>	1
	<i>GX5098302</i>	<i>O-RING,43/252/325,VIT DC3</i>	1
12	GX5091600	SPLASHPLATE,EC2/KC2/RC2/ZC2,SS FR143-184	1
13	GX5051300	KEY,IMP, .187SQX1.5 EC KC RC ZC	1
14	GS8103410	KIT,1-1/4,T21,CE/CA/BU ZC2	1
	<i>GS8103410-316SS</i>	<i>KIT,1-1/4,T21,CE/CA/BU,316SS MET ZC2</i>	1
	<i>GS8105960</i>	<i>KIT,1-1/4,T21,CE/CA/VI ZC2</i>	1
	<i>GS8105960-316SS</i>	<i>KIT,1-1/4,T21,CE/CA/VI,316SS MET ZC2</i>	1
	<i>GS8106590</i>	<i>KIT,1-1/4,T21,NI/CA/BU ZC2</i>	1
	<i>GS8106590-316SS</i>	<i>KIT,1-1/4,T21,NI/CA/BU,316SS MET ZC2</i>	1
	<i>GS8106620</i>	<i>KIT,1-1/4,T21,CE/CA/EP ZC2</i>	1
	<i>GS8106620-316SS</i>	<i>KIT,1-1/4,T21,CE/CA/EP,316SS MET ZC2</i>	1
	<i>GS8106610</i>	<i>KIT,1-1/4,T21,TC/CA/VI ZC2 1512,215,252,325,43</i>	1
	<i>GS8107830</i>	<i>KIT,1-1/4,T21,SC/CA/VI ZC2</i>	1



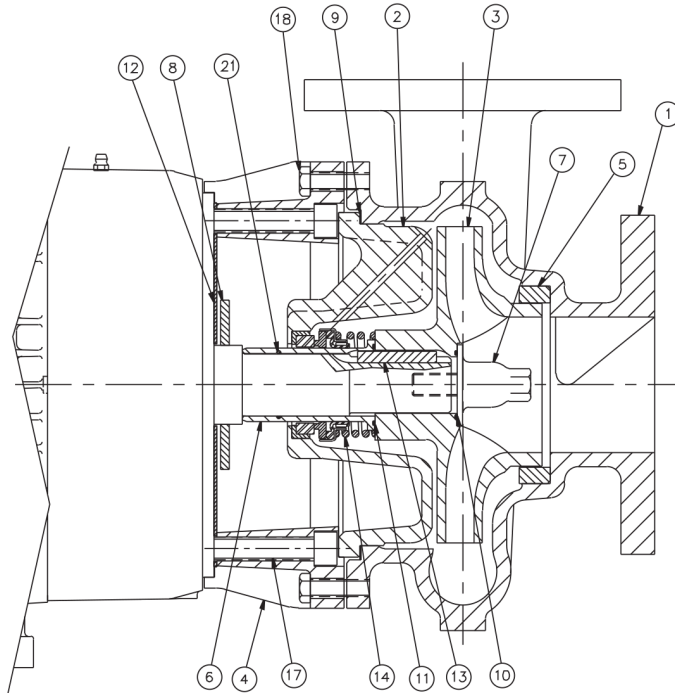
Ref #	Component
1	Casing
2	Cover
3	Impeller
4	Adapter
5	Wear Ring (Casing)
6	Shaft Sleeve
7	Impeller Screw
8	Slinger
9	Gasket, Casing
10	Gasket, Impeller Screw
11	O-Ring, Shaft Sleeve
12	Splashplate
13	Key, Impeller
14	Seal Kit
17	Capscrew (Motor/Adapter)
18	Capscrew (Casing/Adapter)
21*	O-Ring, Shaft Sleeve
22**	Wear Ring (Cover)

\* ZCH2 Only  
\*\* ZC2/ZCH2 4 x 3 Only

**Exploded View**

*Optional Items Shown in ITALICS*

Ref #	Component Item No.	Description	Qty Per
14	<i>GS8111170-316SS</i>	<i>KIT, 1-1/4, T21, TC/SC/BU, 316SS MET ZC2 1512, 215, 252, 325, 43</i>	1
17	<b>GX5077100</b>	<b>CAPSCRW, HX, 3/8-16X1, 18-8SS HX HD</b>	<b>12</b>
18	<b>GX5077100</b>	<b>CAPSCRW, HX, 3/8-16X1, 18-8SS HX HD</b>	<b>8</b>



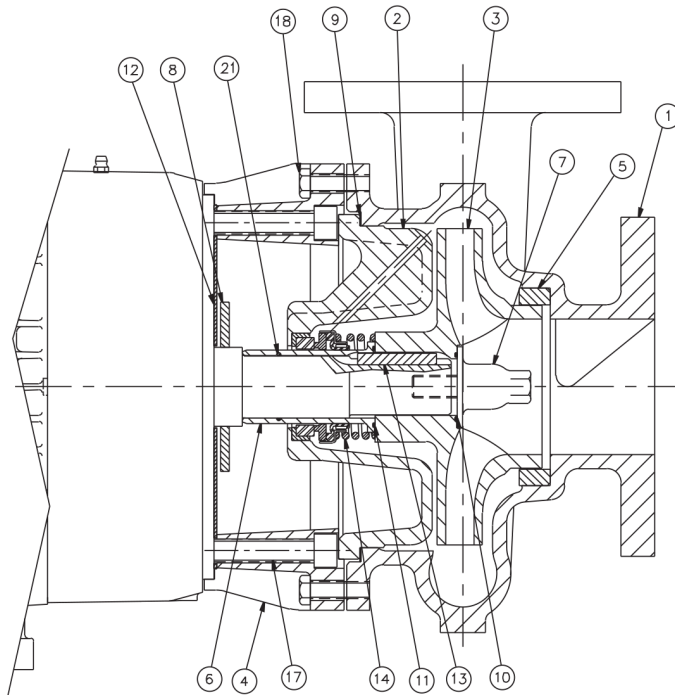
Ref #	Component
1	Casing
2	Cover
3	Impeller
4	Adapter
5	Wear Ring (Casing)
6	Shaft Sleeve
7	Impeller Screw
8	Slinger
9	Gasket, Casing
10	Gasket, Impeller Screw
11	O-Ring, Shaft Sleeve
12	Splashplate
13	Key, Impeller
14	Seal Kit
17	Capscrew (Motor/Adapter)
18	Capscrew (Casing/Adapter)
21*	O-Ring, Shaft Sleeve
22**	Wear Ring (Cover)

\* ZCH2 Only  
\*\* ZC2/ZCH2 4 x 3 Only

**Exploded View**

*Optional Items Shown in ITALICS*

Ref #	Component Item No.	Description	Qty Per
1	DV8401727	CASING,2-1/2X2,2205 ZC2	1
2	DC8301337	COVER,2-1/2X2,2205 ZC2	1
3	DI8200017	IMPELLER,2-1/2X2,2205,SAND CST ZC2	1
4	GX8301391	ADAPTER,210 JM FRAME ZC2	1
	<i>SX8301392</i>	<i>ADAPTER,210 JM FRAME,SS ZC2</i>	1
5	DW8100037	RING,WEAR,2-1/2 SUCTION,2205 ZC2 2-1/2X2	1
6	DX8103727	SLEEVE,SHFT,2205 ZC2	1
7	DI8107277	SCREW,IMP,2205 ZC2	1
8	GX5042301	SLINGER,1-7/32X3-1/4X5/32 80 DUR (180JM-210JM)	1
9	GX5041000	GASKET,6-5/8X7-5/32X1/32 ,N-8090	1
10	GX5040500	GASKET,IMP SCRW,7/8X1-3/8X1/32	1
11	GX5098300	O-RING,T21,1-1/4,BUNA,SLV	1
	<i>GX5098301</i>	<i>O-RING,T21,1-1/4,EPDM,SLV (1-1/4 X 1-3/8 X 1/16)</i>	1
	<i>GX5098302</i>	<i>O-RING,43/252/325,VIT DC3</i>	1
12	GX5091400	SPLASHPLATE,EC2/KC2/RC2/ZC2,SS FR213-256	1
13	GX5051300	KEY,IMP, .187SQX1.5 EC KC RC ZC	1
14	GS8103410	KIT,1-1/4,T21,CE/CA/BU ZC2	1
	<i>GS8103410-316SS</i>	<i>KIT,1-1/4,T21,CE/CA/BU,316SS MET ZC2</i>	1
	<i>GS8105960</i>	<i>KIT,1-1/4,T21,CE/CA/VI ZC2</i>	1
	<i>GS8105960-316SS</i>	<i>KIT,1-1/4,T21,CE/CA/VI,316SS MET ZC2</i>	1
	<i>GS8106590</i>	<i>KIT,1-1/4,T21,NI/CA/BU ZC2</i>	1
	<i>GS8106590-316SS</i>	<i>KIT,1-1/4,T21,NI/CA/BU,316SS MET ZC2</i>	1
	<i>GS8106620</i>	<i>KIT,1-1/4,T21,CE/CA/EP ZC2</i>	1
	<i>GS8106620-316SS</i>	<i>KIT,1-1/4,T21,CE/CA/EP,316SS MET ZC2</i>	1
	<i>GS8106610</i>	<i>KIT,1-1/4,T21,TC/CA/VI ZC2 1512,215,252,325,43</i>	1
	<i>GS8107830</i>	<i>KIT,1-1/4,T21,SC/CA/VI ZC2</i>	1
	<i>GS8111170-316SS</i>	<i>KIT,1-1/4,T21,TC/SC/BU,316SS MET ZC2 1512,215,252,325,43</i>	1



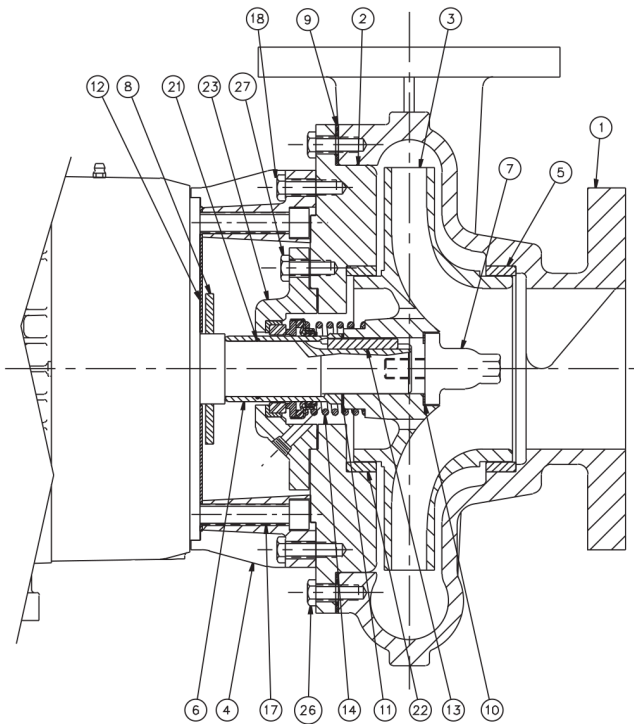
Ref #	Component
1	Casing
2	Cover
3	Impeller
4	Adapter
5	Wear Ring (Casing)
6	Shaft Sleeve
7	Impeller Screw
8	Slinger
9	Gasket, Casing
10	Gasket, Impeller Screw
11	O-Ring, Shaft Sleeve
12	Splashplate
13	Key, Impeller
14	Seal Kit
17	Capscrew (Motor/Adapter)
18	Capscrew (Casing/Adapter)
21*	O-Ring, Shaft Sleeve
22**	Wear Ring (Cover)

\* ZCH2 Only  
\*\* ZC2/ZCH2 4 x 3 Only

**Exploded View**

*Optional Items Shown in ITALICS*

Ref #	Component Item No.	Description	Qty Per
17	<b>GX5077100</b>	<b>CAPSCRW,HX,3/8-16X1,18-8SS HX HD</b>	<b>4</b>
	<b>GX5077200</b>	<b>CAPSCRW,HX,3/8-16X1-1/4,18-8SS HX HD</b>	<b>4</b>
18	<b>GX5077400</b>	<b>CAPSCRW,SH,1/2-13X1-3/4,BLK OX SCKT HD</b>	<b>4</b>



Ref #	Component
1	Casing
2	Cover
3	Impeller
4	Adapter
5	Wear Ring (Casing)
6	Shaft Sleeve
7	Impeller Screw
8	Slinger
9	Gasket, Casing
10	Gasket, Impeller Screw
11	O-Ring, Shaft Sleeve
12	Splashplate
13	Key, Impeller
14	Seal Kit
17	Capscrew (Motor/Adapter)
18	Capscrew (Cover/Adapter)
21*	O-Ring, Shaft Sleeve
22**	Wear Ring (Cover)
23	Stuffing Box
24	Gasket, Stuffing Box
26	Capscrew (Casing/Cover)
27	Capscrew (Cover/Stuffing Box)

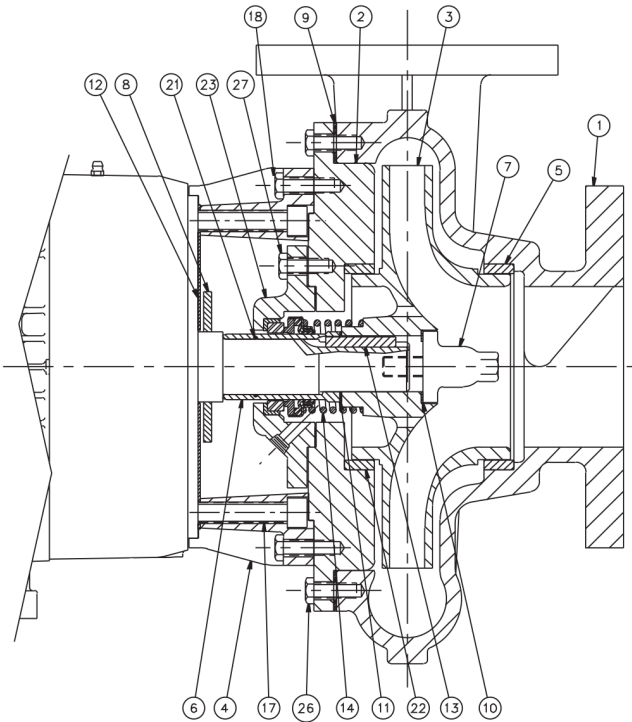
\* ZCH2 Only

\*\* Not Required for 1-1/2 x 1-1/2 Models

**Exploded View**

*Optional Items Shown in ITALICS*

Ref #	Component Item No.	Description	Qty Per
1	DV8402247	CASING,3X2,2205 ZC2	1
2	DC8402267	COVER,4X3L,2205 ZC2	1
3	DI8303777	IMPELLER,3X2,2205,T21 ZC2	1
4	GX8400951	ADAPTER,100 JM FRAME ZC2	1
	<i>SX8400952</i>	<i>ADAPTER,100 JM FRAME,SS ZC2</i>	<i>1</i>
5	DW8107667	RING,WEAR,3X2,2205 ZC2 ZCH2 3X2	1
6	DX8107757	SLEEVE,SHFT,4X3L,2205 ZC2	1
7	DI8107747	SCREW,32,43C,43L,IMP,2205 ZC2	1
8	GX5042301	SLINGER,1-7/32X3-1/4X5/32 80 DUR (180JM-210JM)	1
9	GX5106200	GASKET,3X2,CVR,CASING 10-1/8X 12-1/8 X 1/16 N-8090	1
10	GX5040500	GASKET,IMP SCRW,7/8X1-3/8X1/32	1
11	GX5040000	GASKET,7/8X1-1/2X1/32,N-8090	1
12	GX5091600	SPLASHPLATE,EC2/KC2/RC2/ZC2,SS FR143-184	1
13	GX5051300	KEY,IMP, .187SQX1.5 EC KC RC ZC	1
14	GS8107860	KIT,1-1/4,3X2,T21,CA/CE/BU ZC2	1
	<i>GS8108180</i>	<i>KIT,1-1/4,T21,CE/CA/VI 3X2, 4X3L ZC2</i>	<i>1</i>
17	GX5077100	CAPSCRW,HX,3/8-16X1,18-8SS HX HD	4
18	GX5077100	CAPSCRW,HX,3/8-16X1,18-8SS HX HD	8
21	GX5038500	O-RING, .989X1.29X.070,BUNA 70 DUR, IMP SCRW	1
	<i>GX5038502</i>	<i>O-RING,T21,1-1/4,EPDM (2-022)</i>	<i>1</i>
	<i>GX5038501</i>	<i>O-RING,43/252/325,VIT,FDA CMPL DC3 ZC2</i>	<i>1</i>
22	DW8107687	RING,WEAR,3X2 4X3 L ,2205, STUFF BX ZCH2 ZCH2	1
23	DX8204307	STUFFING BOX,2205,JM,SGL SEAL ZC2	1
24	GX5041900	GASKET,4X3X1/32,N-8090,STFBX STUFFING BOX	1
26	GX5077100	CAPSCRW,HX,3/8-16X1,18-8SS HX HD	12
27	GX5077100	CAPSCRW,HX,3/8-16X1,18-8SS HX HD	4



Ref #	Component
1	Casing
2	Cover
3	Impeller
4	Adapter
5	Wear Ring (Casing)
6	Shaft Sleeve
7	Impeller Screw
8	Slinger
9	Gasket, Casing
10	Gasket, Impeller Screw
11	O-Ring, Shaft Sleeve
12	Splashplate
13	Key, Impeller
14	Seal Kit
17	Capscrew (Motor/Adapter)
18	Capscrew (Cover/Adapter)
21*	O-Ring, Shaft Sleeve
22**	Wear Ring (Cover)
23	Stuffing Box
24	Gasket, Stuffing Box
26	Capscrew (Casing/Cover)
27	Capscrew (Cover/Stuffing Box)

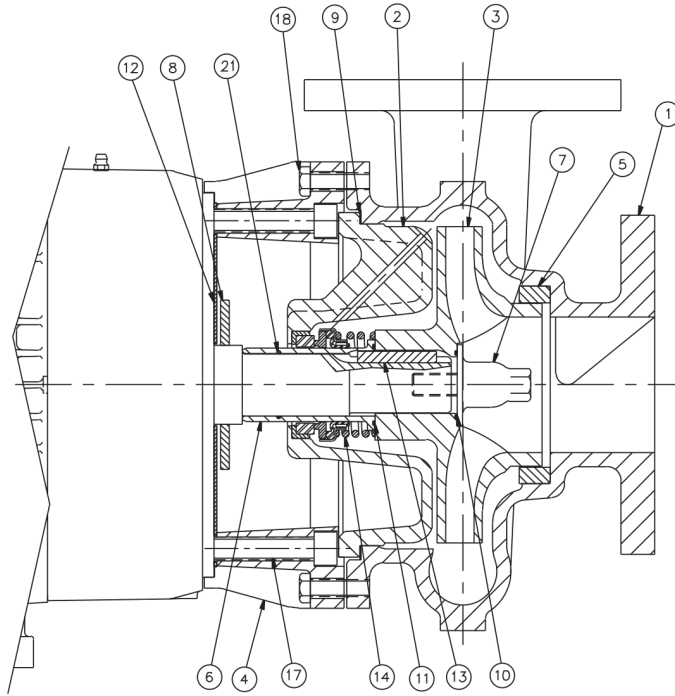
\* ZCH2 Only

\*\* Not Required for 1-1/2 x 1-1/2 Models

**Exploded View**

*Optional Items Shown in ITALICS*

Ref #	Component Item No.	Description	Qty Per
1	DV8402247	CASING,3X2,2205 ZC2	1
2	DC8402267	COVER,4X3L,2205 ZC2	1
3	DI8303777	IMPELLER,3X2,2205,T21 ZC2	1
4	GX8301391	ADAPTER,210 JM FRAME ZC2	1
	<i>SX8301392</i>	<i>ADAPTER,210 JM FRAME,SS ZC2</i>	<i>1</i>
5	DW8107667	RING,WEAR,3X2,2205 ZC2 ZCH2 3X2	1
6	DX8107757	SLEEVE,SHFT,4X3L,2205 ZC2	1
7	DI8107747	SCREW,32,43C,43L,IMP,2205 ZC2	1
8	GX5042301	SLINGER,1-7/32X3-1/4X5/32 80 DUR (180JM-210JM)	1
9	GX5106200	GASKET,3X2,CVR,CASING 10-1/8X 12-1/8 X 1/16 N-8090	1
10	GX5040500	GASKET,IMP SCRW,7/8X1-3/8X1/32	1
11	GX5040000	GASKET,7/8X1-1/2X1/32,N-8090	1
12	GX5091400	SPLASHPLATE,EC2/KC2/RC2/ZC2,SS FR213-256	1
13	GX5051300	KEY,IMP, .187SQX1.5 EC KC RC ZC	1
14	GS8107860	KIT,1-1/4,3X2,T21,CA/CE/BU ZC2	1
	<i>GS8108180</i>	<i>KIT,1-1/4,T21,CE/CA/VI 3X2, 4X3L ZC2</i>	<i>1</i>
17	GX5077400	CAPSCRW,SH,1/2-13X1-3/4,BLK OX SCKT HD	4
18	GX5077100	CAPSCRW,HX,3/8-16X1,18-8SS HX HD	4
	GX5077200	CAPSCRW,HX,3/8-16X1-1/4,18-8SS HX HD	4
21	GX5038500	O-RING, .989X1.29X.070,BUNA 70 DUR, IMP SCRW	1
	<i>GX5038502</i>	<i>O-RING,T21,1-1/4,EPDM (2-022)</i>	<i>1</i>
	<i>GX5038501</i>	<i>O-RING,43/252/325,VIT,FDA Cmpl DC3 ZC2</i>	<i>1</i>
22	DW8107687	RING,WEAR,3X2 4X3 L ,2205, STUFF BX ZCH2 ZCH2	1
23	DX8204307	STUFFING BOX,2205,JM,SGL SEAL ZC2	1
24	GX5041900	GASKET,4X3X1/32,N-8090,STFBX STUFFING BOX	1
26	GX5077100	CAPSCRW,HX,3/8-16X1,18-8SS HX HD	12
27	GX5077100	CAPSCRW,HX,3/8-16X1,18-8SS HX HD	4



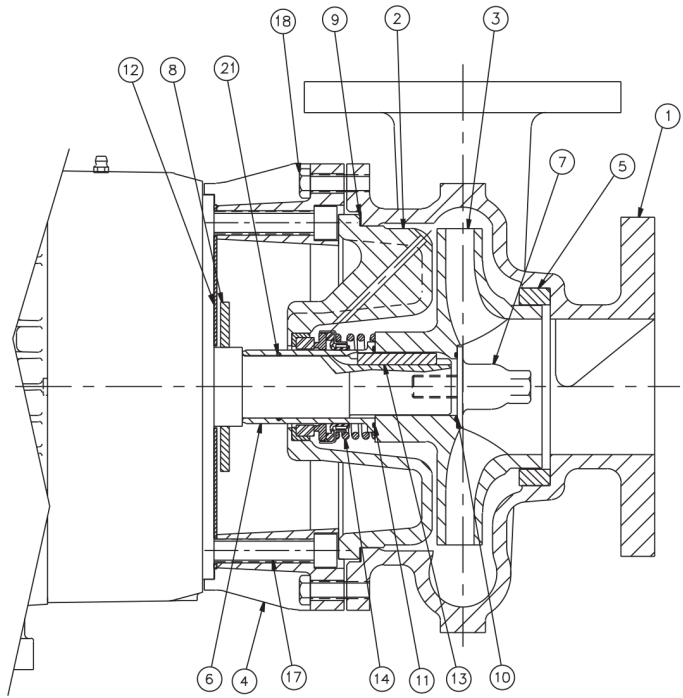
Ref #	Component
1	Casing
2	Cover
3	Impeller
4	Adapter
5	Wear Ring (Casing)
6	Shaft Sleeve
7	Impeller Screw
8	Slinger
9	Gasket, Casing
10	Gasket, Impeller Screw
11	O-Ring, Shaft Sleeve
12	Splashplate
13	Key, Impeller
14	Seal Kit
17	Capscrew (Motor/Adapter)
18	Capscrew (Casing/Adapter)
21*	O-Ring, Shaft Sleeve
22**	Wear Ring (Cover)

\* ZCH2 Only  
\*\* ZC2/ZCH2 4 x 3 Only

**Exploded View**

*Optional Items Shown in ITALICS*

Ref #	Component Item No.	Description	Qty Per
1	DV8400777	CASING,3X2-1/2,2205 ZC2	1
2	DC8301257	COVER,3X2-1/2,2205 ZC2	1
3	DI8200287	IMPELLER,3X2-1/2,2205,SAND CST ZC2	1
4	GX8400951	ADAPTER,100 JM FRAME ZC2	1
	<i>SX8400952</i>	<i>ADAPTER,100 JM FRAME,SS ZC2</i>	1
5	DW8100577	RING,WEAR,3 SUCTION,2205 ZC2 ZCH2 3X2-1/2	1
6	DX8103727	SLEEVE,SHFT,2205 ZC2	1
7	DI8107277	SCREW,IMP,2205 ZC2	1
8	GX5042301	SLINGER,1-7/32X3-1/4X5/32 80 DUR (180JM-210JM)	1
	<i>GX5042300</i>	<i>SLINGER,1-1/8X3-1/4X5/32 80 DUR (140JM)</i>	1
9	GX5041200	GASKET,7-47/64X7-1/8X 1/32 ,N-8090	1
10	GX5040500	GASKET,IMP SCRW,7/8X1-3/8X1/32	1
11	GX5098300	O-RING,T21,1-1/4,BUNA,SLV	1
	<i>GX5098301</i>	<i>O-RING,T21,1-1/4,EPDM,SLV (1-1/4 X 1-3/8 X 1/16)</i>	1
	<i>GX5098302</i>	<i>O-RING,43/252/325,VIT DC3</i>	1
12	GX5091600	SPLASHPLATE,EC2/KC2/RC2/ZC2,SS FR143-184	1
13	GX5051300	KEY,IMP, .1875SQX1.5 EC KC RC ZC	1
14	GS8103410	KIT,1-1/4,T21,CE/CA/BU ZC2	1
	<i>GS8103410-316SS</i>	<i>KIT,1-1/4,T21,CE/CA/BU,316SS MET ZC2</i>	1
	<i>GS8105960</i>	<i>KIT,1-1/4,T21,CE/CA/VI ZC2</i>	1
	<i>GS8105960-316SS</i>	<i>KIT,1-1/4,T21,CE/CA/VI,316SS MET ZC2</i>	1
	<i>GS8106590</i>	<i>KIT,1-1/4,T21,NI/CA/BU ZC2</i>	1
	<i>GS8106590-316SS</i>	<i>KIT,1-1/4,T21,NI/CA/BU,316SS MET ZC2</i>	1
	<i>GS8106620</i>	<i>KIT,1-1/4,T21,CE/CA/EP ZC2</i>	1
	<i>GS8106620-316SS</i>	<i>KIT,1-1/4,T21,CE/CA/EP,316SS MET ZC2</i>	1
	<i>GS8106610</i>	<i>KIT,1-1/4,T21,TC/CA/VI ZC2 1512,215,252,325,43</i>	1
	<i>GS8107830</i>	<i>KIT,1-1/4,T21,SC/CA/VI ZC2</i>	1



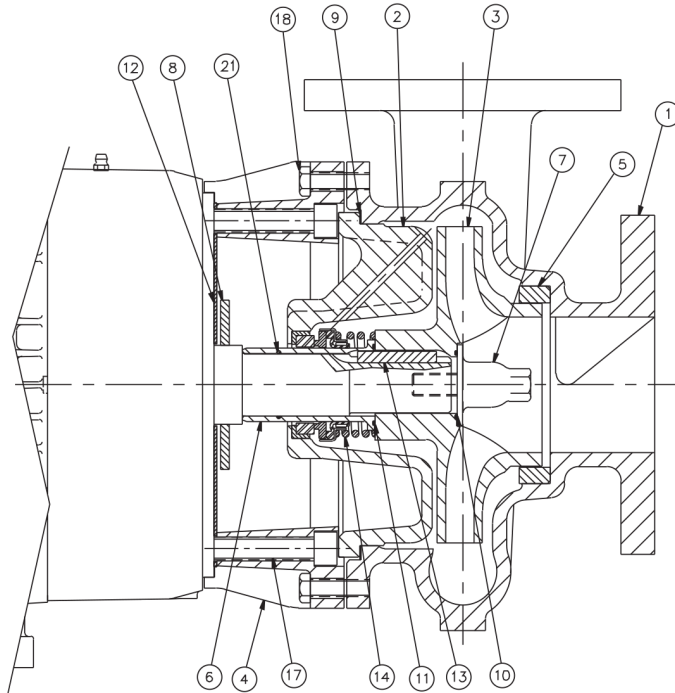
Ref #	Component
1	Casing
2	Cover
3	Impeller
4	Adapter
5	Wear Ring (Casing)
6	Shaft Sleeve
7	Impeller Screw
8	Slinger
9	Gasket, Casing
10	Gasket, Impeller Screw
11	O-Ring, Shaft Sleeve
12	Splashplate
13	Key, Impeller
14	Seal Kit
17	Capscrew (Motor/Adapter)
18	Capscrew (Casing/Adapter)
21*	O-Ring, Shaft Sleeve
22**	Wear Ring (Cover)

\* ZCH2 Only  
\*\* ZC2/ZCH2 4 x 3 Only

**Exploded View**

*Optional Items Shown in ITALICS*

Ref #	Component Item No.	Description	Qty Per
14	<i>GS8111170-316SS</i>	<i>KIT, 1-1/4, T21, TC/SC/BU, 316SS MET ZC2 1512, 215, 252, 325, 43</i>	1
17	<b>GX5077100</b>	<b>CAPSCRW, HX, 3/8-16X1, 18-8SS HX HD</b>	4
18	<b>GX5077100</b>	<b>CAPSCRW, HX, 3/8-16X1, 18-8SS HX HD</b>	8



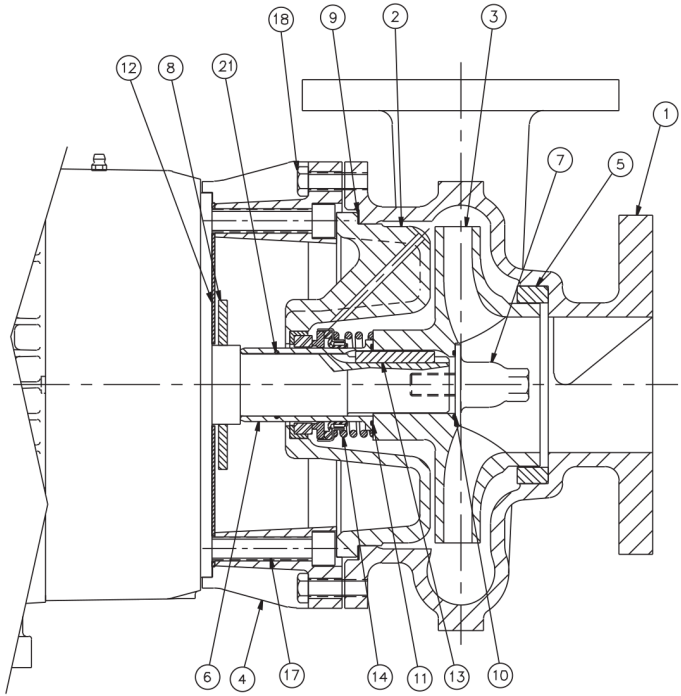
Ref #	Component
1	Casing
2	Cover
3	Impeller
4	Adapter
5	Wear Ring (Casing)
6	Shaft Sleeve
7	Impeller Screw
8	Slinger
9	Gasket, Casing
10	Gasket, Impeller Screw
11	O-Ring, Shaft Sleeve
12	Splashplate
13	Key, Impeller
14	Seal Kit
17	Capscrew (Motor/Adapter)
18	Capscrew (Casing/Adapter)
21*	O-Ring, Shaft Sleeve
22**	Wear Ring (Cover)

\* ZCH2 Only  
\*\* ZC2/ZCH2 4 x 3 Only

**Exploded View**

*Optional Items Shown in ITALICS*

Ref #	Component Item No.	Description	Qty Per
1	DV8400777	CASING,3X2-1/2,2205 ZC2	1
2	DC8301257	COVER,3X2-1/2,2205 ZC2	1
3	DI8200287	IMPELLER,3X2-1/2,2205,SAND CST ZC2	1
4	GX8301391	ADAPTER,210 JM FRAME ZC2	1
	<i>SX8301392</i>	<i>ADAPTER,210 JM FRAME,SS ZC2</i>	<i>1</i>
5	DW8100577	RING,WEAR,3 SUCTION,2205 ZC2 ZCH2 3X2-1/2	1
6	DX8103727	SLEEVE,SHFT,2205 ZC2	1
7	DI8107277	SCREW,IMP,2205 ZC2	1
8	GX5042301	SLINGER,1-7/32X3-1/4X5/32 80 DUR (180JM-210JM)	1
9	GX5041200	GASKET,7-47/64X7-1/8X 1/32 ,N-8090	1
10	GX5040500	GASKET,IMP SCRW,7/8X1-3/8X1/32	1
11	GX5098300	O-RING,T21,1-1/4,BUNA,SLV	1
	<i>GX5098301</i>	<i>O-RING,T21,1-1/4,EPDM,SLV (1-1/4 X 1-3/8 X 1/16)</i>	<i>1</i>
	<i>GX5098302</i>	<i>O-RING,43/252/325,VIT DC3</i>	<i>1</i>
12	GX5091400	SPLASHPLATE,EC2 KC2 RC2 ZC2,SS FR213-256	1
13	GX5051300	KEY,IMP, .187SQX1.5 EC KC RC ZC	1
14	GS8103410	KIT,1-1/4,T21,CE/CA/BU ZC2	1
	<i>GS8103410-316SS</i>	<i>KIT,1-1/4,T21,CE/CA/BU,316SS MET ZC2</i>	<i>1</i>
	<i>GS8105960</i>	<i>KIT,1-1/4,T21,CE/CA/VI ZC2</i>	<i>1</i>
	<i>GS8105960-316SS</i>	<i>KIT,1-1/4,T21,CE/CA/VI,316SS MET ZC2</i>	<i>1</i>
	<i>GS8106590</i>	<i>KIT,1-1/4,T21,NI/CA/BU ZC2</i>	<i>1</i>
	<i>GS8106590-316SS</i>	<i>KIT,1-1/4,T21,NI/CA/BU,316SS MET ZC2</i>	<i>1</i>
	<i>GS8106620</i>	<i>KIT,1-1/4,T21,CE/CA/EP ZC2</i>	<i>1</i>
	<i>GS8106620-316SS</i>	<i>KIT,1-1/4,T21,CE/CA/EP,316SS MET ZC2</i>	<i>1</i>
	<i>GS8106610</i>	<i>KIT,1-1/4,T21,TC/CA/VI ZC2 1512,215,252,325,43</i>	<i>1</i>
	<i>GS8107830</i>	<i>KIT,1-1/4,T21,SC/CA/VI ZC2</i>	<i>1</i>
	<i>GS8111170-316SS</i>	<i>KIT,1-1/4,T21,TC/SC/BU,316SS MET ZC2 1512,215,252,325,43</i>	<i>1</i>



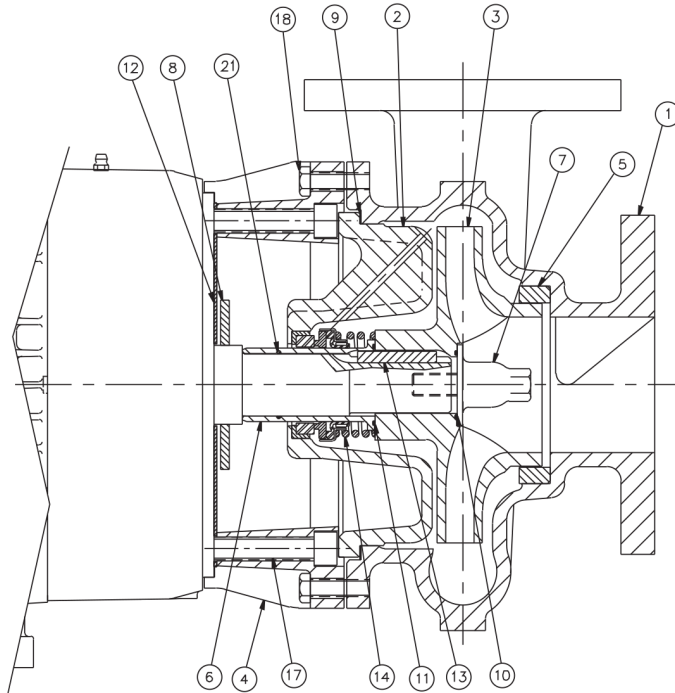
Ref #	Component
1	Casing
2	Cover
3	Impeller
4	Adapter
5	Wear Ring (Casing)
6	Shaft Sleeve
7	Impeller Screw
8	Slinger
9	Gasket, Casing
10	Gasket, Impeller Screw
11	O-Ring, Shaft Sleeve
12	Splashplate
13	Key, Impeller
14	Seal Kit
17	Capscrew (Motor/Adapter)
18	Capscrew (Casing/Adapter)
21*	O-Ring, Shaft Sleeve
22**	Wear Ring (Cover)

\* ZCH2 Only  
\*\* ZC2/ZCH2 4 x 3 Only

**Exploded View**

*Optional Items Shown in ITALICS*

Ref #	Component Item No.	Description	Qty Per
17	GX5077400	CAPSCRW,SH,1/2-13X1-3/4,BLK OX SCKT HD	4
18	GX5077100	CAPSCRW,HX,3/8-16X1,18-8SS HX HD	4
	GX5077200	CAPSCRW,HX,3/8-16X1-1/4,18-8SS HX HD	4



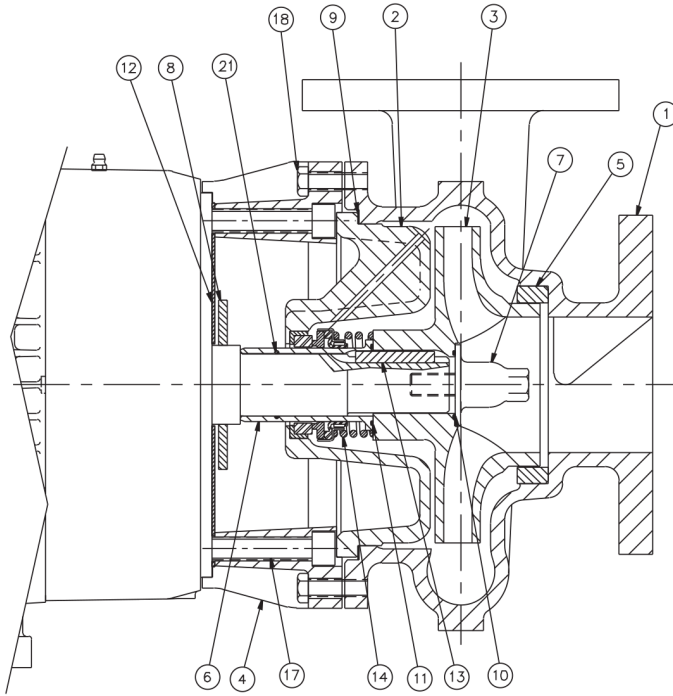
Ref #	Component
1	Casing
2	Cover
3	Impeller
4	Adapter
5	Wear Ring (Casing)
6	Shaft Sleeve
7	Impeller Screw
8	Slinger
9	Gasket, Casing
10	Gasket, Impeller Screw
11	O-Ring, Shaft Sleeve
12	Splashplate
13	Key, Impeller
14	Seal Kit
17	Capscrew (Motor/Adapter)
18	Capscrew (Casing/Adapter)
21*	O-Ring, Shaft Sleeve
22**	Wear Ring (Cover)

\* ZCH2 Only  
\*\* ZC2/ZCH2 4 x 3 Only

**Exploded View**

*Optional Items Shown in ITALICS*

Ref #	Component Item No.	Description	Qty Per
1	DV8400787	CASING,4X3,2205 ZC2	1
2	DC8302057	COVER,4X3,2205 ZC2	1
3	DI8302657	IMPELLER,4X3,2205 ZC2	1
4	GX8400951	ADAPTER,100 JM FRAME ZC2	1
	<i>SX8400952</i>	<i>ADAPTER,100 JM FRAME,SS ZC2</i>	1
5	DW8100547	RING,WEAR,4 SUCTION,2205 ZC2 ZCH2 4X3	1
6	DX8103727	SLEEVE,SHFT,2205 ZC2	1
7	DI8107277	SCREW,IMP,2205 ZC2	1
8	GX5042301	SLINGER,1-7/32X3-1/4X5/32 80 DUR (180JM-210JM)	1
	<i>GX5042300</i>	<i>SLINGER,1-1/8X3-1/4X5/32 80 DUR (140JM)</i>	1
9	GX5041200	GASKET,7-47/64X7-1/8X 1/32 ,N-8090	1
10	GX5038500	O-RING,.989X1.29X.070,BUNA 70 DUR, IMP SCRW	1
	<i>GX5038502</i>	<i>O-RING,T21,1-1/4,EPDM (2-022)</i>	1
	<i>GX5038501</i>	<i>O-RING,43/252/325,VIT,FDA Cmpl DC3 ZC2</i>	1
11	GX5098300	O-RING,T21,1-1/4,BUNA,SLV	1
	<i>GX5098301</i>	<i>O-RING,T21,1-1/4,EPDM,SLV (1-1/4 X 1-3/8 X 1/16)</i>	1
	<i>GX5098302</i>	<i>O-RING,43/252/325,VIT DC3</i>	1
12	GX5091600	SPLASHPLATE,EC2/KC2/RC2/ZC2,SS FR143-184	1
13	GX5051300	KEY,IMP,.1875SQX1.5 EC KC RC ZC	1
14	GS8103410	KIT,1-1/4,T21,CE/CA/BU ZC2	1
	<i>GS8103410-316SS</i>	<i>KIT,1-1/4,T21,CE/CA/BU,316SS MET ZC2</i>	1
	<i>GS8105960</i>	<i>KIT,1-1/4,T21,CE/CA/VI ZC2</i>	1
	<i>GS8105960-316SS</i>	<i>KIT,1-1/4,T21,CE/CA/VI,316SS MET ZC2</i>	1
	<i>GS8106590</i>	<i>KIT,1-1/4,T21,NI/CA/BU ZC2</i>	1
	<i>GS8106590-316SS</i>	<i>KIT,1-1/4,T21,NI/CA/BU,316SS MET ZC2</i>	1
	<i>GS8106620</i>	<i>KIT,1-1/4,T21,CE/CA/EP ZC2</i>	1
	<i>GS8106620-316SS</i>	<i>KIT,1-1/4,T21,CE/CA/EP,316SS MET ZC2</i>	1



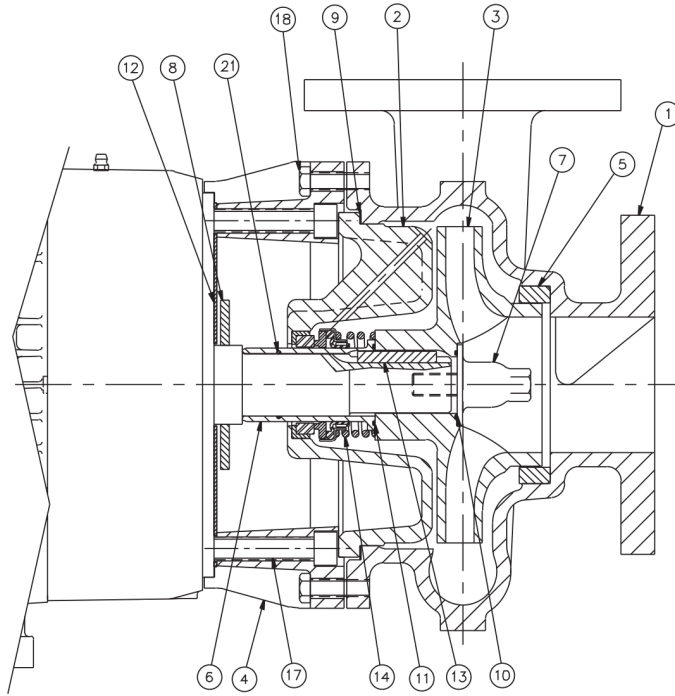
Ref #	Component
1	Casing
2	Cover
3	Impeller
4	Adapter
5	Wear Ring (Casing)
6	Shaft Sleeve
7	Impeller Screw
8	Slinger
9	Gasket, Casing
10	Gasket, Impeller Screw
11	O-Ring, Shaft Sleeve
12	Splashplate
13	Key, Impeller
14	Seal Kit
17	Capscrew (Motor/Adapter)
18	Capscrew (Casing/Adapter)
21*	O-Ring, Shaft Sleeve
22**	Wear Ring (Cover)

\* ZCH2 Only  
\*\* ZC2/ZCH2 4 x 3 Only

**Exploded View**

*Optional Items Shown in ITALICS*

Ref #	Component Item No.	Description	Qty Per
14	<i>GS8106610</i>	<i>KIT, 1-1/4, T21, TC/CA/VI ZC2 1512,215,252,325,43</i>	1
	<i>GS8107830</i>	<i>KIT, 1-1/4, T21, SC/CA/VI ZC2</i>	1
	<i>GS8111170-316SS</i>	<i>KIT, 1-1/4, T21, TC/SC/BU, 316SS MET ZC2 1512,215,252,325,43</i>	1
17	<b>GX5077100</b>	<b>CAPSCRW, HX, 3/8-16X1, 18-8SS HX HD</b>	4
18	<b>GX5077100</b>	<b>CAPSCRW, HX, 3/8-16X1, 18-8SS HX HD</b>	8
22	<b>DW8100547</b>	<b>RING, WEAR, 4 SUCTION, 2205 ZC2 ZCH2 4X3</b>	1



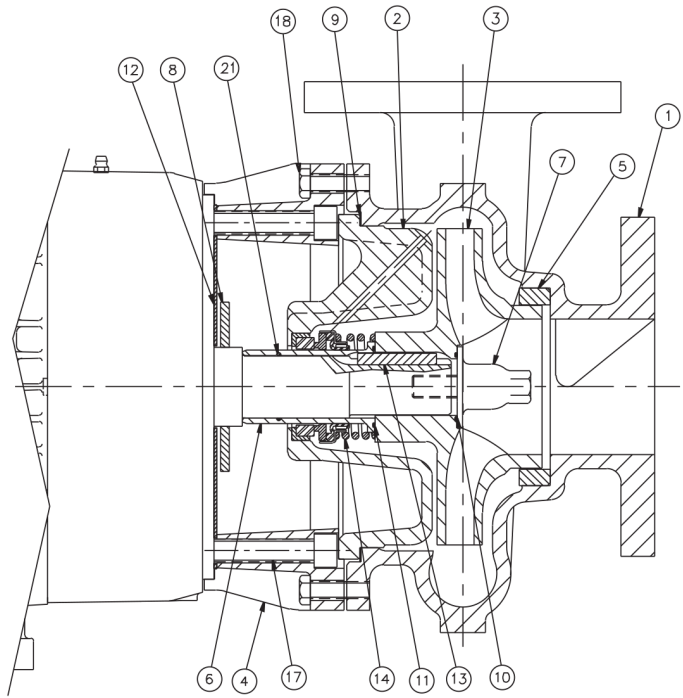
Ref #	Component
1	Casing
2	Cover
3	Impeller
4	Adapter
5	Wear Ring (Casing)
6	Shaft Sleeve
7	Impeller Screw
8	Slinger
9	Gasket, Casing
10	Gasket, Impeller Screw
11	O-Ring, Shaft Sleeve
12	Splashplate
13	Key, Impeller
14	Seal Kit
17	Capscrew (Motor/Adapter)
18	Capscrew (Casing/Adapter)
21*	O-Ring, Shaft Sleeve
22**	Wear Ring (Cover)

\* ZCH2 Only  
\*\* ZC2/ZCH2 4 x 3 Only

**Exploded View**

*Optional Items Shown in ITALICS*

Ref #	Component Item No.	Description	Qty Per
1	DV8400787	CASING,4X3,2205 ZC2	1
2	DC8302057	COVER,4X3,2205 ZC2	1
3	DI8302657	IMPELLER,4X3,2205 ZC2	1
4	GX8301391	ADAPTER,210 JM FRAME ZC2	1
	<i>SX8301392</i>	<i>ADAPTER,210 JM FRAME,SS ZC2</i>	1
5	DW8100547	RING,WEAR,4 SUCTION,2205 ZC2 ZCH2 4X3	1
6	DX8103727	SLEEVE,SHFT,2205 ZC2	1
7	DI8107277	SCREW,IMP,2205 ZC2	1
8	GX5042301	SLINGER,1-7/32X3-1/4X5/32 80 DUR (180JM-210JM)	1
9	GX5041200	GASKET,7-47/64X7-1/8X 1/32 ,N-8090	1
10	GX5038500	O-RING,,989X1.29X.070,BUNA 70 DUR, IMP SCRW	1
	<i>GX5038502</i>	<i>O-RING,T21,1-1/4,EPDM (2-022)</i>	1
	<i>GX5038501</i>	<i>O-RING,43/252/325,VIT,FDA CMPL DC3 ZC2</i>	1
11	GX5098300	O-RING,T21,1-1/4,BUNA,SLV	1
	<i>GX5098301</i>	<i>O-RING,T21,1-1/4,EPDM,SLV (1-1/4 X 1-3/8 X 1/16)</i>	1
	<i>GX5098302</i>	<i>O-RING,43/252/325,VIT DC3</i>	1
12	GX5091400	SPLASHPLATE,EC2/KC2/RC2/ZC2,SS FR213-256	1
13	GX5051300	KEY,IMP,,.187SQX1.5 EC KC RC ZC	1
14	GS8103410	KIT,1-1/4,T21,CE/CA/BU ZC2	1
	<i>GS8103410-316SS</i>	<i>KIT,1-1/4,T21,CE/CA/BU,316SS MET ZC2</i>	1
	<i>GS8105960</i>	<i>KIT,1-1/4,T21,CE/CA/VI ZC2</i>	1
	<i>GS8105960-316SS</i>	<i>KIT,1-1/4,T21,CE/CA/VI,316SS MET ZC2</i>	1
	<i>GS8106590</i>	<i>KIT,1-1/4,T21,NI/CA/BU ZC2</i>	1
	<i>GS8106590-316SS</i>	<i>KIT,1-1/4,T21,NI/CA/BU,316SS MET ZC2</i>	1
	<i>GS8106620</i>	<i>KIT,1-1/4,T21,CE/CA/EP ZC2</i>	1
	<i>GS8106620-316SS</i>	<i>KIT,1-1/4,T21,CE/CA/EP,316SS MET ZC2</i>	1
	<i>GS8106610</i>	<i>KIT,1-1/4,T21,TC/CA/VI ZC2 1512,215,252,325,43</i>	1



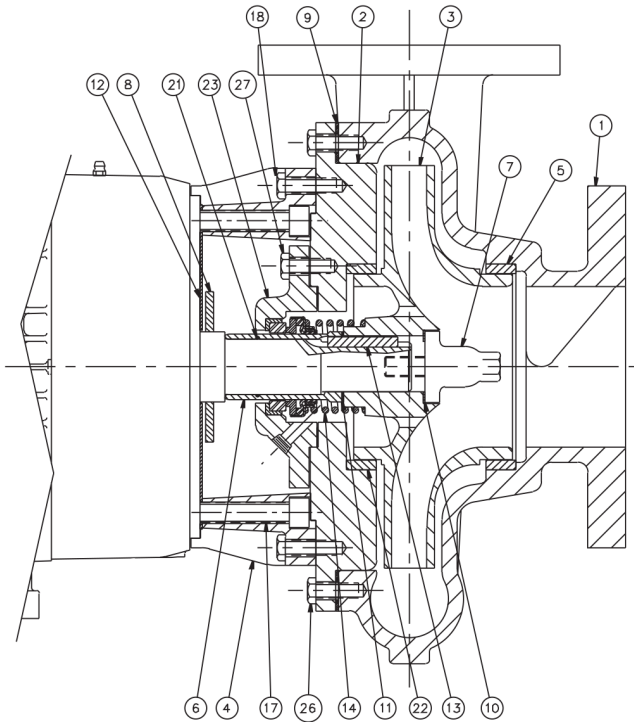
Ref #	Component
1	Casing
2	Cover
3	Impeller
4	Adapter
5	Wear Ring (Casing)
6	Shaft Sleeve
7	Impeller Screw
8	Slinger
9	Gasket, Casing
10	Gasket, Impeller Screw
11	O-Ring, Shaft Sleeve
12	Splashplate
13	Key, Impeller
14	Seal Kit
17	Capscrew (Motor/Adapter)
18	Capscrew (Casing/Adapter)
21*	O-Ring, Shaft Sleeve
22**	Wear Ring (Cover)

\* ZCH2 Only  
\*\* ZC2/ZCH2 4 x 3 Only

**Exploded View**

*Optional Items Shown in ITALICS*

Ref #	Component Item No.	Description	Qty Per
14	GS8107830	<i>KIT, 1-1/4, T21, SC/CA/VI ZC2</i>	1
	GS8111170-316SS	<i>KIT, 1-1/4, T21, TC/SC/BU, 316SS MET ZC2 1512, 215, 252, 325, 43</i>	1
17	GX5077400	<b>CAPSCRW, SH, 1/2-13X1-3/4, BLK OX SCKT HD</b>	4
18	GX5077100	<b>CAPSCRW, HX, 3/8-16X1, 18-8SS HX HD</b>	4
	GX5077200	<b>CAPSCRW, HX, 3/8-16X1-1/4, 18-8SS HX HD</b>	4
22	DW8100547	<b>RING, WEAR, 4 SUCTION, 2205 ZC2 ZCH2 4X3</b>	1



Ref #	Component
1	Casing
2	Cover
3	Impeller
4	Adapter
5	Wear Ring (Casing)
6	Shaft Sleeve
7	Impeller Screw
8	Slinger
9	Gasket, Casing
10	Gasket, Impeller Screw
11	O-Ring, Shaft Sleeve
12	Splashplate
13	Key, Impeller
14	Seal Kit
17	Capscrew (Motor/Adapter)
18	Capscrew (Cover/Adapter)
21*	O-Ring, Shaft Sleeve
22**	Wear Ring (Cover)
23	Stuffing Box
24	Gasket, Stuffing Box
26	Capscrew (Casing/Cover)
27	Capscrew (Cover/Stuffing Box)

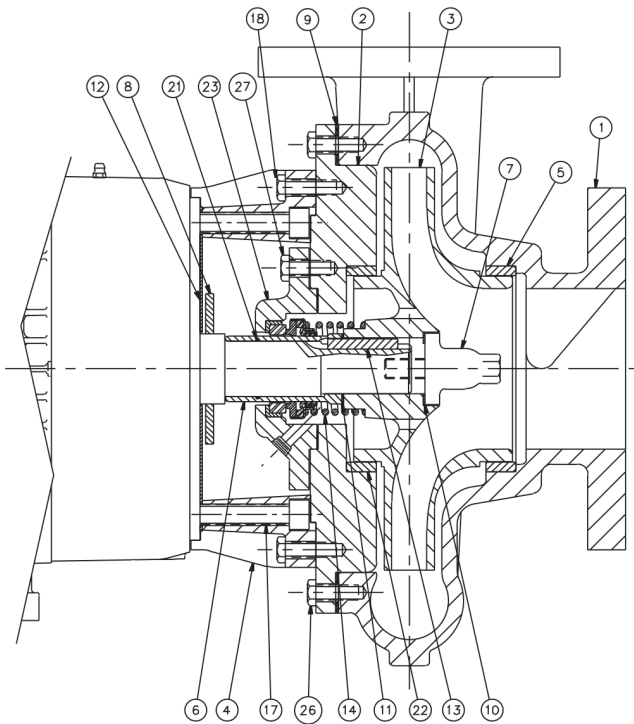
\* ZCH2 Only

\*\* Not Required for 1-1/2 x 1-1/2 Models

**Exploded View**

*Optional Items Shown in ITALICS*

Ref #	Component Item No.	Description	Qty Per
1	DV8402597	CASING,4X3C,2205 ZCH2	1
2	DC8402607	COVER,4X3C,2205,SGL SEAL ZCH2	1
3	DI8304357	IMPELLER,4X3C,2205 ZC2	1
4	GX8400951	ADAPTER,100 JM FRAME ZC2	1
	<i>SX8400952</i>	<i>ADAPTER,100 JM FRAME,SS ZC2</i>	<i>1</i>
5	DW8107687	RING,WEAR,3X2 4X3 L ,2205, STUFF BX ZCH2 ZCH2	1
6	DX8107757	SLEEVE,SHFT,4X3L,2205 ZC2	1
7	DI8107747	SCREW,32,43C,43L,IMP,2205 ZC2	1
8	GX5042301	SLINGER,1-7/32X3-1/4X5/32 80 DUR (180JM-210JM)	1
9	GX5041300	GASKET,9-1/4 X 10 X1/16,N-8090	1
10	GX5040500	GASKET,IMP SCRW,7/8X1-3/8X1/32	1
11	GX5040000	GASKET,7/8X1-1/2X1/32,N-8090	1
12	GX5091600	SPLASHPLATE,EC2/KC2/RC2/ZC2,SS FR143-184	1
13	GX5051300	KEY,IMP,..187SQX1.5 EC KC RC ZC	1
14	GS8107860	KIT,1-1/4,3X2,T21,CA/CE/BU ZC2	1
	<i>GS8108180</i>	<i>KIT,1-1/4,T21,CE/CA/VI 3X2, 4X3L ZC2</i>	<i>1</i>
17	GX5077100	CAPSCRW,HX,3/8-16X1,18-8SS HX HD	4
18	GX5077100	CAPSCRW,HX,3/8-16X1,18-8SS HX HD	8
22	DW8107687	RING,WEAR,3X2 4X3 L ,2205, STUFF BX ZCH2 ZCH2	1
23	DX8204307	STUFFING BOX,2205,JM,SGL SEAL ZC2	1
24	GX5041900	GASKET,4X3X1/32,N-8090,STFBX STUFFING BOX	1
26	GX5077100	CAPSCRW,HX,3/8-16X1,18-8SS HX HD	12
27	GX5077100	CAPSCRW,HX,3/8-16X1,18-8SS HX HD	4



Ref #	Component
1	Casing
2	Cover
3	Impeller
4	Adapter
5	Wear Ring (Casing)
6	Shaft Sleeve
7	Impeller Screw
8	Slinger
9	Gasket, Casing
10	Gasket, Impeller Screw
11	O-Ring, Shaft Sleeve
12	Splashplate
13	Key, Impeller
14	Seal Kit
17	Capscrew (Motor/Adapter)
18	Capscrew (Cover/Adapter)
21*	O-Ring, Shaft Sleeve
22**	Wear Ring (Cover)
23	Stuffing Box
24	Gasket, Stuffing Box
26	Capscrew (Casing/Cover)
27	Capscrew (Cover/Stuffing Box)

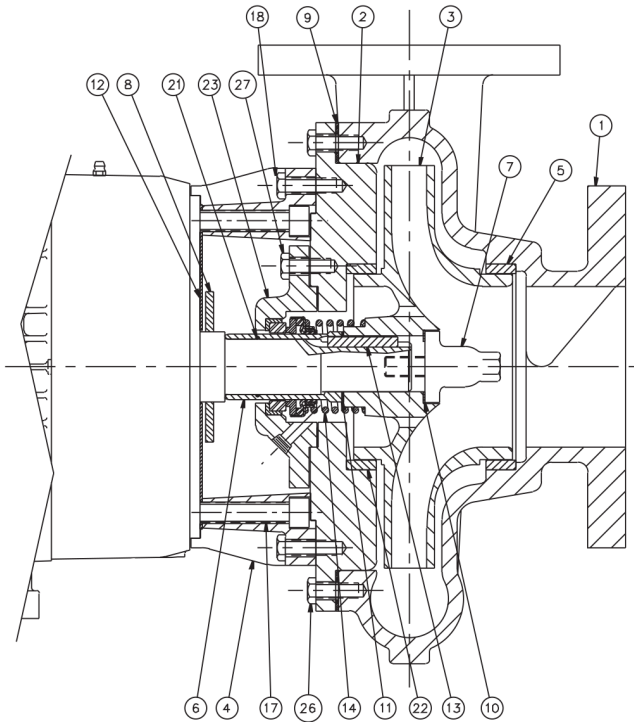
\* ZCH2 Only

\*\* Not Required for 1-1/2 x 1-1/2 Models

**Exploded View**

*Optional Items Shown in ITALICS*

Ref #	Component Item No.	Description	Qty Per
1	DV8402597	CASING,4X3C,2205 ZCH2	1
2	DC8402607	COVER,4X3C,2205,SGL SEAL ZCH2	1
3	DI8304357	IMPELLER,4X3C,2205 ZC2	1
4	GX8301391	ADAPTER,210 JM FRAME ZC2	1
	<i>SX8301392</i>	<i>ADAPTER,210 JM FRAME,SS ZC2</i>	<i>1</i>
5	DW8107687	RING,WEAR,3X2 4X3 L ,2205, STUFF BX ZCH2 ZCH2	1
6	DX8107757	SLEEVE,SHFT,4X3L,2205 ZC2	1
7	DI8107747	SCREW,32,43C,43L,IMP,2205 ZC2	1
8	GX5042301	SLINGER,1-7/32X3-1/4X5/32 80 DUR (180JM-210JM)	1
9	GX5041300	GASKET,9-1/4 X 10 X1/16,N-8090	1
10	GX5040500	GASKET,IMP SCRW,7/8X1-3/8X1/32	1
11	GX5040000	GASKET,7/8X1-1/2X1/32,N-8090	1
12	GX5091400	SPLASHPLATE,EC2/KC2/RC2/ZC2,SS FR213-256	1
13	GX5051300	KEY,IMP, .187SQX1.5 EC KC RC ZC	1
14	GS8107860	KIT,1-1/4,3X2,T21,CA/CE/BU ZC2	1
	<i>GS8108180</i>	<i>KIT,1-1/4,T21,CE/CA/VI 3X2, 4X3L ZC2</i>	<i>1</i>
17	GX5077400	CAPSCRW,SH,1/2-13X1-3/4,BLK OX SCKT HD	4
18	GX5077100	CAPSCRW,HX,3/8-16X1,18-8SS HX HD	4
	GX5077200	CAPSCRW,HX,3/8-16X1-1/4,18-8SS HX HD	4
22	DW8107687	RING,WEAR,3X2 4X3 L ,2205, STUFF BX ZCH2 ZCH2	1
23	DX8204307	STUFFING BOX,2205,JM,SGL SEAL ZC2	1
24	GX5041900	GASKET,4X3X1/32,N-8090,STFBX STUFFING BOX	1
26	GX5077100	CAPSCRW,HX,3/8-16X1,18-8SS HX HD	12
27	GX5077100	CAPSCRW,HX,3/8-16X1,18-8SS HX HD	4



Ref #	Component
1	Casing
2	Cover
3	Impeller
4	Adapter
5	Wear Ring (Casing)
6	Shaft Sleeve
7	Impeller Screw
8	Slinger
9	Gasket, Casing
10	Gasket, Impeller Screw
11	O-Ring, Shaft Sleeve
12	Splashplate
13	Key, Impeller
14	Seal Kit
17	Capscrew (Motor/Adapter)
18	Capscrew (Cover/Adapter)
21*	O-Ring, Shaft Sleeve
22**	Wear Ring (Cover)
23	Stuffing Box
24	Gasket, Stuffing Box
26	Capscrew (Casing/Cover)
27	Capscrew (Cover/Stuffing Box)

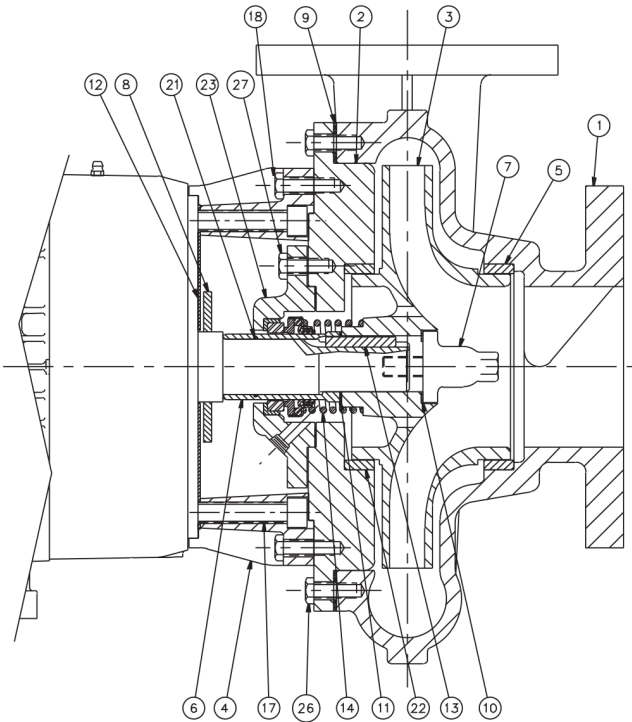
\* ZCH2 Only

\*\* Not Required for 1-1/2 x 1-1/2 Models

**Exploded View**

*Optional Items Shown in ITALICS*

Ref #	Component Item No.	Description	Qty Per
1	DV8402407	CASING,4X3L,2205 ZC2	1
2	DC8402267	COVER,4X3L,2205 ZC2	1
3	DI8303707	IMPELLER,4X3L,2205,T21 ZC2	1
4	GX8301391	ADAPTER,210 JM FRAME ZC2	1
	<i>SX8301392</i>	<i>ADAPTER,210 JM FRAME,SS ZC2</i>	<i>1</i>
5	DW8107687	RING,WEAR,3X2 4X3 L ,2205, STUFF BX ZCH2 ZCH2	1
6	DX8107757	SLEEVE,SHFT,4X3L,2205 ZC2	1
7	DI8107747	SCREW,32,43C,43L,IMP,2205 ZC2	1
8	GX5042301	SLINGER,1-7/32X3-1/4X5/32 80 DUR (180JM-210JM)	1
9	GX5106200	GASKET,3X2,CVR,CASING 10-1/8X 12-1/8 X 1/16 N-8090	1
10	GX5040500	GASKET,IMP SCRW,7/8X1-3/8X1/32	1
11	GX5040000	GASKET,7/8X1-1/2X1/32,N-8090	1
12	GX5091400	SPLASHPLATE,EC2/KC2/RC2/ZC2,SS FR213-256	1
13	GX5051300	KEY,IMP, .187SQX1.5 EC KC RC ZC	1
14	GS8107860	KIT,1-1/4,3X2,T21,CA/CE/BU ZC2	1
	<i>GS8108180</i>	<i>KIT,1-1/4,T21,CE/CA/VI 3X2, 4X3L ZC2</i>	<i>1</i>
17	GX5077400	CAPSCRW,SH,1/2-13X1-3/4,BLK OX SCKT HD	4
18	GX5077100	CAPSCRW,HX,3/8-16X1,18-8SS HX HD	4
	GX5077200	CAPSCRW,HX,3/8-16X1-1/4,18-8SS HX HD	4
21	GX5038500	O-RING, .989X1.29X.070,BUNA 70 DUR, IMP SCRW	1
	<i>GX5038502</i>	<i>O-RING,T21,1-1/4,EPDM (2-022)</i>	<i>1</i>
	<i>GX5038501</i>	<i>O-RING,43/252/325,VIT,FDA Cmpl DC3 ZC2</i>	<i>1</i>
22	DW8107687	RING,WEAR,3X2 4X3 L ,2205, STUFF BX ZCH2 ZCH2	1
23	DX8204307	STUFFING BOX,2205,JM,SGL SEAL ZC2	1
24	GX5041900	GASKET,4X3X1/32,N-8090,STFBX STUFFING BOX	1
26	GX5077100	CAPSCRW,HX,3/8-16X1,18-8SS HX HD	12
27	GX5077100	CAPSCRW,HX,3/8-16X1,18-8SS HX HD	4



Ref #	Component
1	Casing
2	Cover
3	Impeller
4	Adapter
5	Wear Ring (Casing)
6	Shaft Sleeve
7	Impeller Screw
8	Slinger
9	Gasket, Casing
10	Gasket, Impeller Screw
11	O-Ring, Shaft Sleeve
12	Splashplate
13	Key, Impeller
14	Seal Kit
17	Capscrew (Motor/Adapter)
18	Capscrew (Cover/Adapter)
21*	O-Ring, Shaft Sleeve
22**	Wear Ring (Cover)
23	Stuffing Box
24	Gasket, Stuffing Box
26	Capscrew (Casing/Cover)
27	Capscrew (Cover/Stuffing Box)

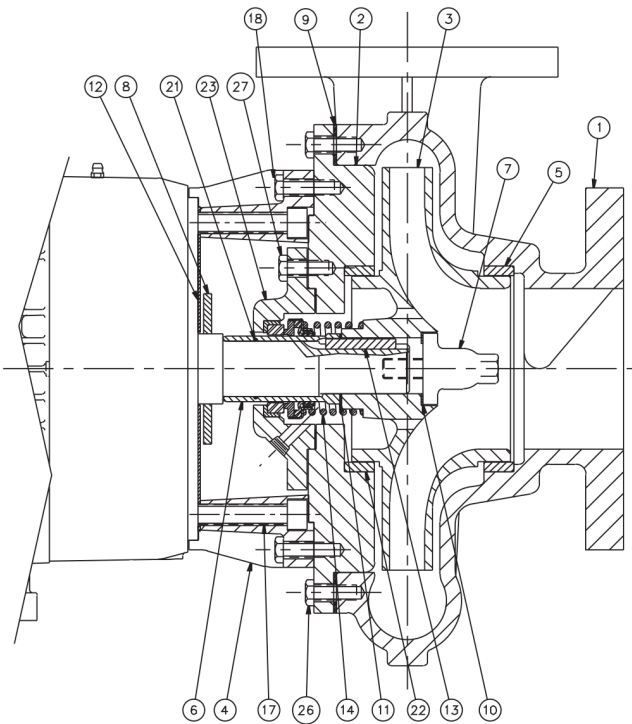
\* ZCH2 Only

\*\* Not Required for 1-1/2 x 1-1/2 Models

**Exploded View**

*Optional Items Shown in ITALICS*

Ref #	Component Item No.	Description	Qty Per
1	DV8404387	CASING,5X4P,2205 ZCH2	1
2	DC8404597	COVER,5X4P,2205 ZCH2	1
3	DI8404427	***OBSOLETE/NOT IN SAGE*** IMPELLER,5X4P,2205	1
4	GX8301391	ADAPTER,210 JM FRAME ZC2	1
	<i>SX8301392</i>	<i>ADAPTER,210 JM FRAME,SS ZC2</i>	1
5	DW8110537	RING,WEAR,5X4P,2205 ZC2 ZCH2 5X4P	1
6	DX8103727	SLEEVE,SHFT,2205 ZC2	1
7	DI8107277	SCREW,IMP,2205 ZC2	1
8	GX5042301	SLINGER,1-7/32X3-1/4X5/32 80 DUR (180JM-210JM)	1
9	GX8205561	GASKET,54P,CVR ZC2 ZCH2	1
10	GX5102500	O-RING,54P/215/252/327/428,BUN MC3	1
11	GX5098300	O-RING,T21,1-1/4,BUNA,SLV	1
	<i>GX5098301</i>	<i>O-RING,T21,1-1/4,EPDM,SLV (1-1/4 X 1-3/8 X 1/16)</i>	1
	<i>GX5098302</i>	<i>O-RING,43/252/325,VIT DC3</i>	1
12	GX5091400	SPLASHPLATE,EC2 KC2 RC2 ZC2,SS FR213-256	1
13	GX5051300	KEY,IMP, .187SQX1.5 EC KC RC ZC	1
14	GS8110708	KIT,1-1/4,54P,T21,CE CA BU ZC2	1
17	GX5077400	CAPSCRW,SH,1/2-13X1-3/4,BLK OX SCKT HD	4
18	GX5077100	CAPSCRW,HX,3/8-16X1,18-8SS HX HD	4
	GX5077200	CAPSCRW,HX,3/8-16X1-1/4,18-8SS HX HD	4
22	DW8110537	RING,WEAR,5X4P,2205 ZC2 ZCH2 5X4P	1
23	DX8204307	STUFFING BOX,2205,JM,SGL SEAL ZC2	1
24	GX5041900	GASKET,4X3X1/32,N-8090,STFBX STUFFING BOX	1
26	SC1710H-SS	CAPSCRW,HX,1/2-13X1,18-8SS HX HD	8
27	GX5077100	CAPSCRW,HX,3/8-16X1,18-8SS HX HD	4



Ref #	Component
1	Casing
2	Cover
3	Impeller
4	Adapter
5	Wear Ring (Casing)
6	Shaft Sleeve
7	Impeller Screw
8	Slinger
9	Gasket, Casing
10	Gasket, Impeller Screw
11	O-Ring, Shaft Sleeve
12	Splashplate
13	Key, Impeller
14	Seal Kit
17	Capscrew (Motor/Adapter)
18	Capscrew (Cover/Adapter)
21*	O-Ring, Shaft Sleeve
22**	Wear Ring (Cover)
23	Stuffing Box
24	Gasket, Stuffing Box
26	Capscrew (Casing/Cover)
27	Capscrew (Cover/Stuffing Box)

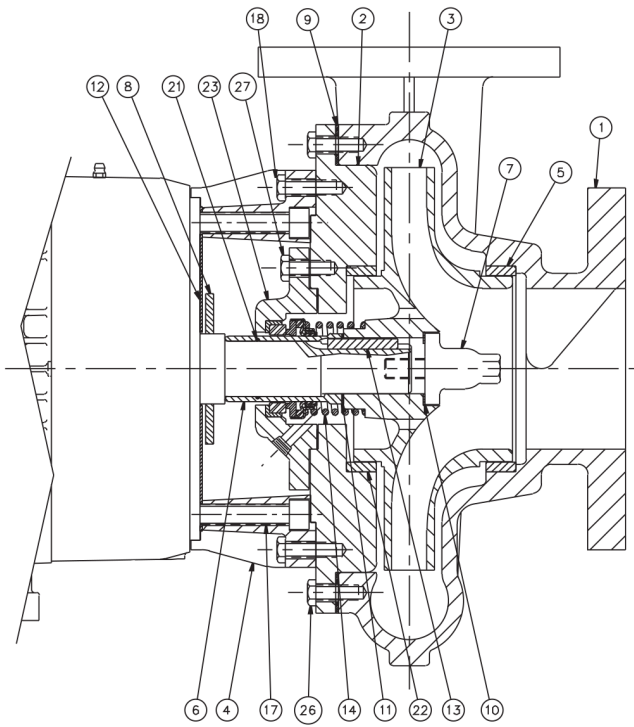
\* ZCH2 Only

\*\* Not Required for 1-1/2 x 1-1/2 Models

**Exploded View**

*Optional Items Shown in ITALICS*

Ref #	Component Item No.	Description	Qty Per
1	DV8402457	CASING,1-1/2X1-1/2 ZC2	1
2	DC8402187	COVER,22/1515,JM,2205 ZC2 ZCH2	1
3	DI8303867	***OBSOLETE*** IMPELLER,1-1/2X1-1/2,2205	1
4	GX8401251	ADAPTER,250 JM FRAME ZCH2	1
	<i>SX8401252</i>	<i>ADAPTER,250 JM FRAME,SS NS ZCH2</i>	1
5	DW8101567	RING,WEAR,1-1/2X1-1/2,2205 ZC2 ZCH2 1-1/2X1-1/2	1
6	DX8107647	SLEEVE,SHFT,4X3C,2205 ZCH2	1
7	DI8102727	SCREW,22/43/66/325,IMP,2205 ZCH2	1
8	GX5098700	SLINGER,1-23/32X3-3/4X 3/16 ZCH2	1
9	GX5041300	GASKET,9-1/4 X 10 X1/16,N-8090	1
10	GX5041600	GASKET,1-1/4X1-3/4X1/321/4 KEYSLOT,SLV/IMP	1
11	GX5099300	O-RING,1-3/8X1-1/2X1/16,BUNA SLEEVE	1
	<i>GX5099301</i>	<i>O-RING,T1 T21,1-5/8,EPDM,SLV (1-3/8 X 1-1/2 X 1/16)</i>	1
	<i>GX5099302</i>	<i>O-RING,33/43,VIT,FDA COMPL DCH3</i>	1
12	GX5091400	SPLASHPLATE,EC2/KC2/RC2/ZC2,SS FR213-256	1
13	GX5051200	KEY,IMPLR/SLV,2.0X.25X.25 304-SS	1
14	GS8107720	KIT,1-5/8,22,T21L,CE/CA/BU ZCH2	1
	<i>GS8107720-316SS</i>	<i>KIT,1-5/8,22,T21L,CE/CA/BU,316 SS MET ZCH2</i>	1
	<i>GS8107760</i>	<i>KIT,1-5/8,T21L,CE/CA/VI ZCH2</i>	1
	<i>GS8111210-316SS</i>	<i>KIT,1-5/8,T21L,TC/SC/BU,316SS MET ZCH2 (2X2,43C)</i>	1
17	GX5077500	CAPSCRW,SH,1/2-13X3,BLK OX SCKT HD	4
18	GX5077200	CAPSCRW,HX,3/8-16X1-1/4,18-8SS HX HD	8
21	GX5099300	O-RING,1-3/8X1-1/2X1/16,BUNA SLEEVE	1
	<i>GX5099301</i>	<i>O-RING,T1 T21,1-5/8,EPDM,SLV (1-3/8 X 1-1/2 X 1/16)</i>	1
	<i>GX5099302</i>	<i>O-RING,33/43,VIT,FDA COMPL DCH3</i>	1
22	DW8101567	RING,WEAR,1-1/2X1-1/2,2205 ZC2 ZCH2 1-1/2X1-1/2	1
23	DX8204237	STUFFING BOX,2205,SGL SEAL ZCH2	1



Ref #	Component
1	Casing
2	Cover
3	Impeller
4	Adapter
5	Wear Ring (Casing)
6	Shaft Sleeve
7	Impeller Screw
8	Slinger
9	Gasket, Casing
10	Gasket, Impeller Screw
11	O-Ring, Shaft Sleeve
12	Splashplate
13	Key, Impeller
14	Seal Kit
17	Capscrew (Motor/Adapter)
18	Capscrew (Cover/Adapter)
21*	O-Ring, Shaft Sleeve
22**	Wear Ring (Cover)
23	Stuffing Box
24	Gasket, Stuffing Box
26	Capscrew (Casing/Cover)
27	Capscrew (Cover/Stuffing Box)

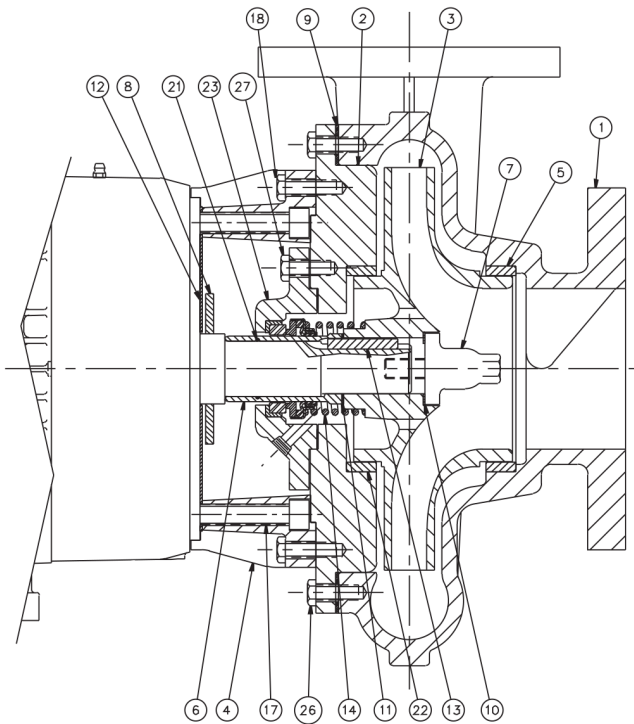
\* ZCH2 Only

\*\* Not Required for 1-1/2 x 1-1/2 Models

**Exploded View**

*Optional Items Shown in ITALICS*

Ref #	Component Item No.	Description	Qty Per
24	<i>GX5041900</i>	<i>GASKET,4X3X1/32,N-8090,STFBX STUFFING BOX</i>	1
26	<i>GX5077100</i>	<i>CAPSCRW,HX,3/8-16X1,18-8SS HX HD</i>	8
27	<i>GX5077100</i>	<i>CAPSCRW,HX,3/8-16X1,18-8SS HX HD</i>	4



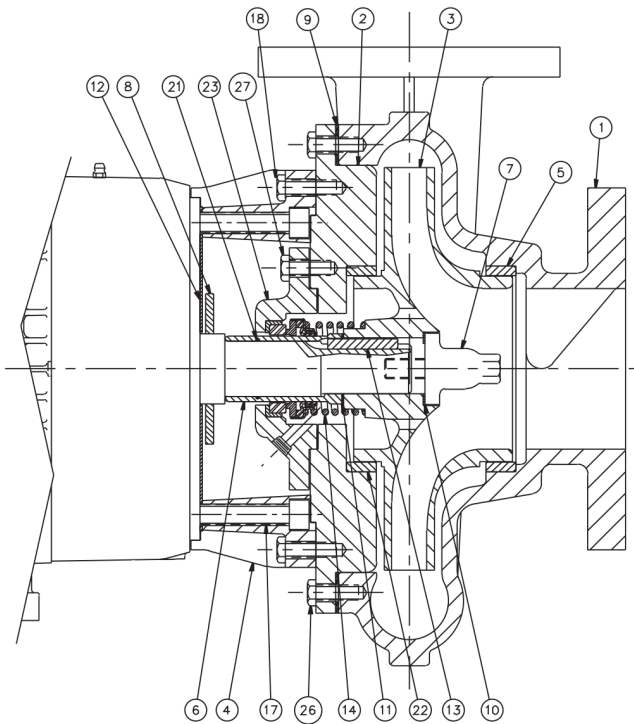
Ref #	Component
1	Casing
2	Cover
3	Impeller
4	Adapter
5	Wear Ring (Casing)
6	Shaft Sleeve
7	Impeller Screw
8	Slinger
9	Gasket, Casing
10	Gasket, Impeller Screw
11	O-Ring, Shaft Sleeve
12	Splashplate
13	Key, Impeller
14	Seal Kit
17	Capscrew (Motor/Adapter)
18	Capscrew (Cover/Adapter)
21*	O-Ring, Shaft Sleeve
22**	Wear Ring (Cover)
23	Stuffing Box
24	Gasket, Stuffing Box
26	Capscrew (Casing/Cover)
27	Capscrew (Cover/Stuffing Box)

\* ZCH2 Only  
\*\* Not Required for 1-1/2 x 1-1/2 Models

**Exploded View**

*Optional Items Shown in ITALICS*

Ref #	Component Item No.	Description	Qty Per
1	DV8402167	CASING,2X2,2205 ZC2	1
2	DC8402187	COVER,22/1515,JM,2205 ZC2 ZCH2	1
3	DI8302397	IMPELLER,2X2,2205,T21 ZCH2	1
4	GX8401251	ADAPTER,250 JM FRAME ZCH2	1
	<i>SX8401252</i>	<i>ADAPTER,250 JM FRAME,SS NS ZCH2</i>	<i>1</i>
5	DW8100117	RING,WEAR,2 SUCTION,2205 ZC2 ZCH2 2X2	1
6	DX8107647	SLEEVE,SHFT,4X3C,2205 ZCH2	1
7	DI8102727	SCREW,22/43/66/325,IMP,2205 ZCH2	1
8	GX5098700	SLINGER,1-23/32X3-3/4X 3/16 ZCH2	1
9	GX5041300	GASKET,9-1/4 X 10 X1/16,N-8090	1
10	GX5041400	GASKET,IMP SCRW,1-1/4X1-13/16 X1/32	1
11	GX5041600	GASKET,1-1/4X1-3/4X1/321/4 KEYSLOT,SLV/IMP	1
12	GX5091400	SPLASHPLATE,EC2/KC2/RC2/ZC2,SS FR213-256	1
13	GX5051200	KEY,IMPLR/SLV,2.0X.25X.25 304-SS	1
14	GS8107720	KIT,1-5/8,22,T21L,CE/CA/BU ZCH2	1
	<i>GS8107720-316SS</i>	<i>KIT,1-5/8,22,T21L,CE/CA/BU,316 SS MET ZCH2</i>	<i>1</i>
	<i>GS8107760</i>	<i>KIT,1-5/8,T21L,CE/CA/VI ZCH2</i>	<i>1</i>
	<i>GS8111210-316SS</i>	<i>KIT,1-5/8,T21L,TC/SC/BU,316SS MET ZCH2 (2X2,43C)</i>	<i>1</i>
17	GX5077500	CAPSCRW,SH,1/2-13X3,BLK OX SCKT HD	4
18	GX5077200	CAPSCRW,HX,3/8-16X1-1/4,18-8SS HX HD	8
21	GX5099300	O-RING,1-3/8X1-1/2X1/16,BUNA SLEEVE	1
	<i>GX5099301</i>	<i>O-RING,T1 T21,1-5/8,EPDM,SLV (1-3/8 X 1-1/2 X 1/16)</i>	<i>1</i>
	<i>GX5099302</i>	<i>O-RING,33/43,VIT,FDA COMPL DCH3</i>	<i>1</i>
22	DW8100117	RING,WEAR,2 SUCTION,2205 ZC2 ZCH2 2X2	1
23	DX8204237	STUFFING BOX,2205,SGL SEAL ZCH2	1
24	GX5041900	GASKET,4X3X1/32,N-8090,STFBX STUFFING BOX	1
26	GX5077100	CAPSCRW,HX,3/8-16X1,18-8SS HX HD	8



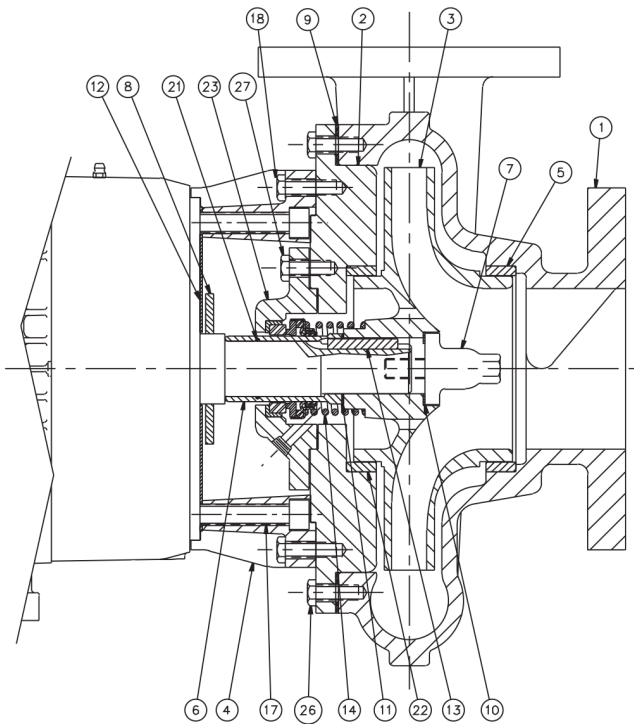
Ref #	Component
1	Casing
2	Cover
3	Impeller
4	Adapter
5	Wear Ring (Casing)
6	Shaft Sleeve
7	Impeller Screw
8	Slinger
9	Gasket, Casing
10	Gasket, Impeller Screw
11	O-Ring, Shaft Sleeve
12	Splashplate
13	Key, Impeller
14	Seal Kit
17	Capscrew (Motor/Adapter)
18	Capscrew (Cover/Adapter)
21*	O-Ring, Shaft Sleeve
22**	Wear Ring (Cover)
23	Stuffing Box
24	Gasket, Stuffing Box
26	Capscrew (Casing/Cover)
27	Capscrew (Cover/Stuffing Box)

\* ZCH2 Only  
\*\* Not Required for 1-1/2 x 1-1/2 Models

**Exploded View**

*Optional Items Shown in ITALICS*

Ref #	Component Item No.	Description	Qty Per
27	GX5077100	CAPSCRW,HX,3/8-16X1,18-8SS HX HD	4



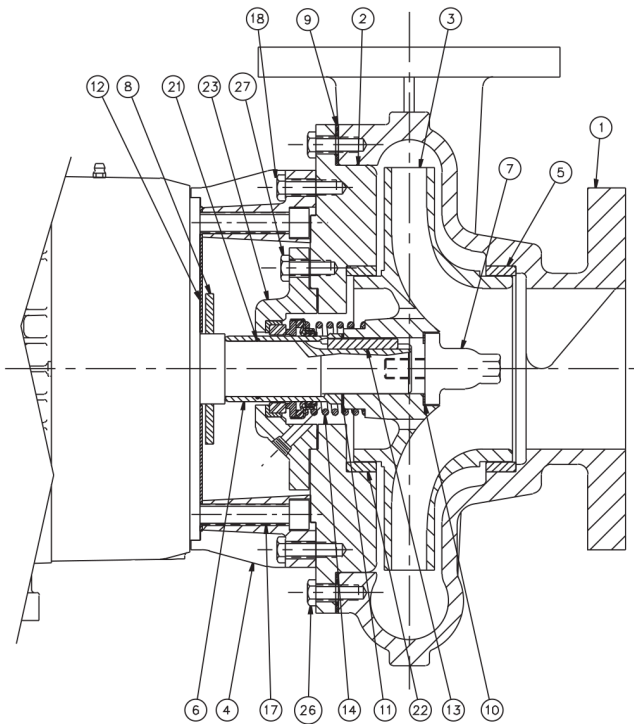
Ref #	Component
1	Casing
2	Cover
3	Impeller
4	Adapter
5	Wear Ring (Casing)
6	Shaft Sleeve
7	Impeller Screw
8	Slinger
9	Gasket, Casing
10	Gasket, Impeller Screw
11	O-Ring, Shaft Sleeve
12	Splashplate
13	Key, Impeller
14	Seal Kit
17	Capscrew (Motor/Adapter)
18	Capscrew (Cover/Adapter)
21*	O-Ring, Shaft Sleeve
22**	Wear Ring (Cover)
23	Stuffing Box
24	Gasket, Stuffing Box
26	Capscrew (Casing/Cover)
27	Capscrew (Cover/Stuffing Box)

\* ZCH2 Only  
\*\* Not Required for 1-1/2 x 1-1/2 Models

**Exploded View**

*Optional Items Shown in ITALICS*

Ref #	Component Item No.	Description	Qty Per
1	DV8402167	CASING,2X2,2205 ZC2	1
2	DC8402187	COVER,22/1515,JM,2205 ZC2 ZCH2	1
3	DI8302397	IMPELLER,2X2,2205,T21 ZCH2	1
4	GX8401361	ADAPTER,280 JM FRAME ZCH2	1
5	DW8100117	RING,WEAR,2 SUCTION,2205 ZC2 ZCH2 2X2	1
6	DX8107647	SLEEVE,SHFT,4X3C,2205 ZCH2	1
7	DI8102727	SCREW,22/43/66/325,IMP,2205 ZCH2	1
8	GX5098700	SLINGER,1-23/32X3-3/4X 3/16 ZCH2	1
9	GX5041300	GASKET,9-1/4 X 10 X1/16,N-8090	1
10	GX5041400	GASKET,IMP SCR W,1-1/4X1-13/16 X1/32	1
11	GX5041600	GASKET,1-1/4X1-3/4X1/321/4 KEYSLOT,SLV/IMP	1
12	SX8101072	SPLASHPLATE,280JM FRM ZCH2	1
13	GX5051200	KEY,IMPLR/SLV,2.0X.25X.25 304-SS	1
14	GS8107720	KIT,1-5/8,22,T21L,CE/CA/BU ZCH2	1
	<i>GS8107720-316SS</i>	<i>KIT,1-5/8,22,T21L,CE/CA/BU,316 SS MET ZCH2</i>	<i>1</i>
	<i>GS8107760</i>	<i>KIT,1-5/8,T21L,CE/CA/VI ZCH2</i>	<i>1</i>
	<i>GS8111210-316SS</i>	<i>KIT,1-5/8,T21L,TC/SC/BU,316SS MET ZCH2 (2X2,43C)</i>	<i>1</i>
17	GX5076700	CAPSCRW,HX,5/8-11X1-1/2,18-8SS HX HD	4
18	GX5077200	CAPSCRW,HX,3/8-16X1-1/4,18-8SS HX HD	8
21	GX5099300	O-RING,1-3/8X1-1/2X1/16,BUNA SLEEVE	1
	<i>GX5099301</i>	<i>O-RING,T1 T21,1-5/8,EPDM,SLV (1-3/8 X 1-1/2 X 1/16)</i>	<i>1</i>
	<i>GX5099302</i>	<i>O-RING,33/43,VIT,FDA COMPL DCH3</i>	<i>1</i>
22	DW8100117	RING,WEAR,2 SUCTION,2205 ZC2 ZCH2 2X2	1
23	DX8204237	STUFFING BOX,2205,SGL SEAL ZCH2	1
24	GX5041900	GASKET,4X3X1/32,N-8090,STFBX STUFFING BOX	1
26	GX5077100	CAPSCRW,HX,3/8-16X1,18-8SS HX HD	8
27	GX5077100	CAPSCRW,HX,3/8-16X1,18-8SS HX HD	4



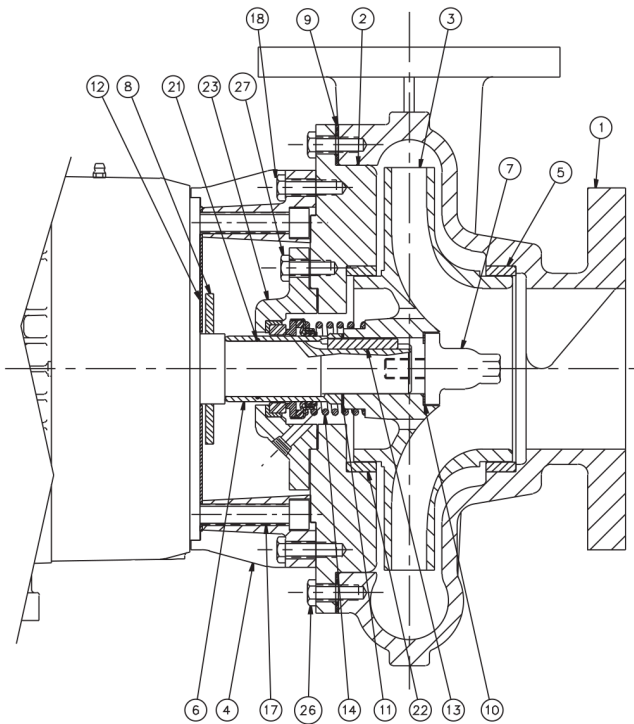
Ref #	Component
1	Casing
2	Cover
3	Impeller
4	Adapter
5	Wear Ring (Casing)
6	Shaft Sleeve
7	Impeller Screw
8	Slinger
9	Gasket, Casing
10	Gasket, Impeller Screw
11	O-Ring, Shaft Sleeve
12	Splashplate
13	Key, Impeller
14	Seal Kit
17	Capscrew (Motor/Adapter)
18	Capscrew (Cover/Adapter)
21*	O-Ring, Shaft Sleeve
22**	Wear Ring (Cover)
23	Stuffing Box
24	Gasket, Stuffing Box
26	Capscrew (Casing/Cover)
27	Capscrew (Cover/Stuffing Box)

\* ZCH2 Only  
\*\* Not Required for 1-1/2 x 1-1/2 Models

**Exploded View**

*Optional Items Shown in ITALICS*

Ref #	Component Item No.	Description	Qty Per
1	DV8402247	CASING,3X2,2205 ZC2	1
2	DC8402267	COVER,4X3L,2205 ZC2	1
3	DI8303477	IMPELLER,3X2,2205,T21 ZCH2	1
4	GX8401251	ADAPTER,250 JM FRAME ZCH2	1
	<i>SX8401252</i>	<i>ADAPTER,250 JM FRAME,SS NS ZCH2</i>	<i>1</i>
5	DW8107667	RING,WEAR,3X2,2205 ZC2 ZCH2 3X2	1
6	DX8107647	SLEEVE,SHFT,4X3C,2205 ZCH2	1
7	DI8107737	SCREW,32/43L/54P/86,IMP,2205 ZCH2	1
8	GX5098700	SLINGER,1-23/32X3-3/4X 3/16 ZCH2	1
9	GX5106200	GASKET,3X2,CVR,CASING 10-1/8X 12-1/8 X 1/16 N-8090	1
10	GX5041400	GASKET,IMP SCRW,1-1/4X1-13/16 X1/32	1
11	GX5041600	GASKET,1-1/4X1-3/4X1/32 1/4 KEYSLOT,SLV/IMP	1
12	GX5091400	SPLASHPLATE,EC2/KC2/RC2/ZC2,SS FR213-256	1
13	GX5051200	KEY,IMPLR/SLV,2.0X.25X.25 304-SS	1
14	GS8107770	KIT,1-5/8,T21L,CE/CA/BU ZCH2 32	1
	<i>GS8107770-316SS</i>	<i>KIT,1-5/8,32,T21L,CE/CA/BU 316SS MET ZCH2</i>	<i>1</i>
	<i>GS8107780</i>	<i>KIT,1-5/8,T21,CE/CA/VI ZCH2 43L</i>	<i>1</i>
17	GX5077500	CAPSCRW,SH,1/2-13X3,BLK OX SCKT HD	4
18	GX5077200	CAPSCRW,HX,3/8-16X1-1/4,18-8SS HX HD	8
21	GX5099300	O-RING,1-3/8X1-1/2X1/16,BUNA SLEEVE	1
	<i>GX5099301</i>	<i>O-RING,T1 T21,1-5/8,EPDM,SLV (1-3/8 X 1-1/2 X 1/16)</i>	<i>1</i>
	<i>GX5099302</i>	<i>O-RING,33/43,VIT,FDA COMPL DCH3</i>	<i>1</i>
22	DW8107687	RING,WEAR,3X2 4X3 L ,2205, STUFF BX ZCH2 ZCH2	1
23	DX8204237	STUFFING BOX,2205,SGL SEAL ZCH2	1
24	GX5041900	GASKET,4X3X1/32,N-8090,STFBX STUFFING BOX	1
26	GX5077100	CAPSCRW,HX,3/8-16X1,18-8SS HX HD	12
27	GX5077100	CAPSCRW,HX,3/8-16X1,18-8SS HX HD	4



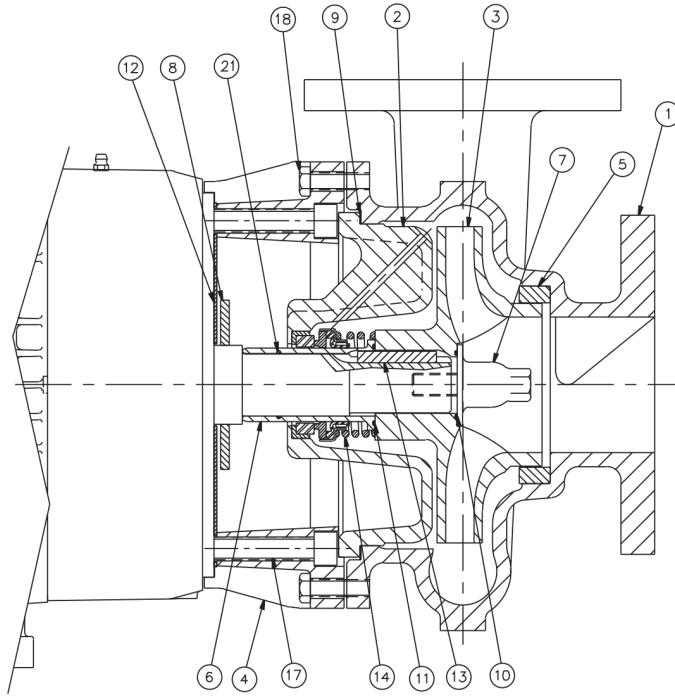
Ref #	Component
1	Casing
2	Cover
3	Impeller
4	Adapter
5	Wear Ring (Casing)
6	Shaft Sleeve
7	Impeller Screw
8	Slinger
9	Gasket, Casing
10	Gasket, Impeller Screw
11	O-Ring, Shaft Sleeve
12	Splashplate
13	Key, Impeller
14	Seal Kit
17	Capscrew (Motor/Adapter)
18	Capscrew (Cover/Adapter)
21*	O-Ring, Shaft Sleeve
22**	Wear Ring (Cover)
23	Stuffing Box
24	Gasket, Stuffing Box
26	Capscrew (Casing/Cover)
27	Capscrew (Cover/Stuffing Box)

\* ZCH2 Only  
\*\* Not Required for 1-1/2 x 1-1/2 Models

**Exploded View**

*Optional Items Shown in ITALICS*

Ref #	Component Item No.	Description	Qty Per
1	DV8402247	CASING,3X2,2205 ZC2	1
2	DC8402267	COVER,4X3L,2205 ZC2	1
3	DI8303477	IMPELLER,3X2,2205,T21 ZCH2	1
4	GX8401361	ADAPTER,280 JM FRAME ZCH2	1
5	DW8107667	RING,WEAR,3X2,2205 ZC2 ZCH2 3X2	1
6	DX8107647	SLEEVE,SHFT,4X3C,2205 ZCH2	1
7	DI8107737	SCREW,32/43L/54P/86,IMP,2205 ZCH2	1
8	GX5098700	SLINGER,1-23/32X3-3/4X 3/16 ZCH2	1
9	GX5106200	GASKET,3X2,CVR,CASING 10-1/8X 12-1/8 X 1/16 N-8090	1
10	GX5041400	GASKET,IMP SCRW,1-1/4X1-13/16 X1/32	1
11	GX5041600	GASKET,1-1/4X1-3/4X1/32 1/4 KEYSLOT,SLV/IMP	1
12	SX8101072	SPLASHPLATE,280JM FRM ZCH2	1
13	GX5051200	KEY,IMPLR/SLV,2.0X.25X.25 304-SS	1
14	GS8107770	KIT,1-5/8,T21L,CE/CA/BU ZCH2 32	1
	<i>GS8107770-316SS</i>	<i>KIT,1-5/8,32,T21L,CE/CA/BU 316SS MET ZCH2</i>	<i>1</i>
	<i>GS8107780</i>	<i>KIT,1-5/8,T21,CE/CA/VI ZCH2 43L</i>	<i>1</i>
17	GX5076700	CAPSCRW,HX,5/8-11X1-1/2,18-8SS HX HD	4
18	GX5077200	CAPSCRW,HX,3/8-16X1-1/4,18-8SS HX HD	8
21	GX5099300	O-RING,1-3/8X1-1/2X1/16,BUNA SLEEVE	1
	<i>GX5099301</i>	<i>O-RING,T1 T21,1-5/8,EPDM,SLV (1-3/8 X 1-1/2 X 1/16)</i>	<i>1</i>
	<i>GX5099302</i>	<i>O-RING,33/43,VIT,FDA COMPL DCH3</i>	<i>1</i>
22	DW8107687	RING,WEAR,3X2 4X3 L,2205, STUFF BX ZCH2 ZCH2	1
23	DX8204237	STUFFING BOX,2205,SGL SEAL ZCH2	1
24	GX5041900	GASKET,4X3X1/32,N-8090,STFBX STUFFING BOX	1
26	GX5077100	CAPSCRW,HX,3/8-16X1,18-8SS HX HD	12
27	GX5077100	CAPSCRW,HX,3/8-16X1,18-8SS HX HD	4



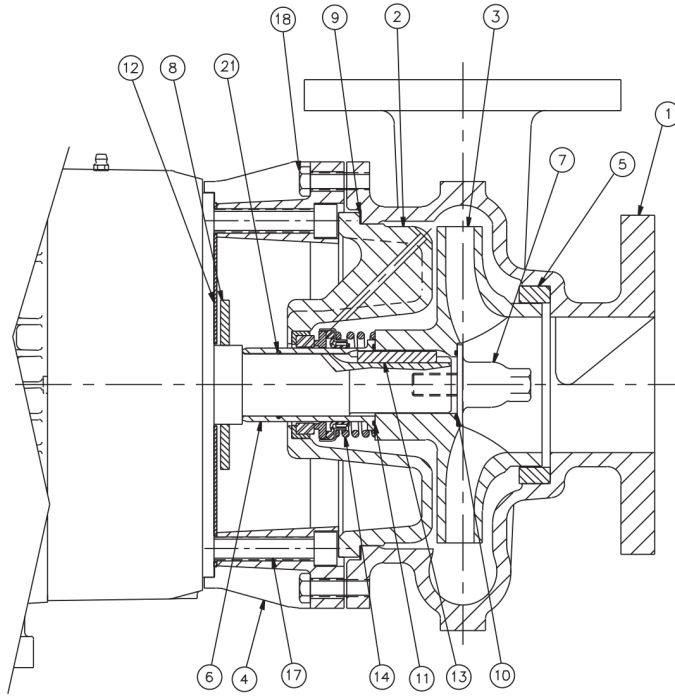
Ref #	Component
1	Casing
2	Cover
3	Impeller
4	Adapter
5	Wear Ring (Casing)
6	Shaft Sleeve
7	Impeller Screw
8	Slinger
9	Gasket, Casing
10	Gasket, Impeller Screw
11	O-Ring, Shaft Sleeve
12	Splashplate
13	Key, Impeller
14	Seal Kit
17	Capscrew (Motor/Adapter)
18	Capscrew (Casing/Adapter)
21*	O-Ring, Shaft Sleeve
22**	Wear Ring (Cover)

\* ZCH2 Only  
\*\* ZC2/ZCH2 4 x 3 Only

**Exploded View**

*Optional Items Shown in ITALICS*

Ref #	Component Item No.	Description	Qty Per
1	DV8400777	CASING,3X2-1/2,2205 ZC2	1
2	DC8301737	COVER,3X2-1/2,2205 ZCH2	1
3	DI8203017	IMPELLER,3X2-1/2,2205,SANDCAST ZCH2	1
4	GX8401251	ADAPTER,250 JM FRAME ZCH2	1
	<i>SX8401252</i>	<i>ADAPTER,250 JM FRAME,SS NS ZCH2</i>	1
5	DW8100577	RING,WEAR,3 SUCTION,2205 ZC2 ZCH2 3X2-1/2	1
6	DX8104427	SLEEVE,SHFT,2205 ZCH2	1
7	DI8102727	SCREW,22 43 66 325,IMP,2205 ZCH2	1
8	GX5098700	SLINGER,1-23 32X3-3 4X 3 16 ZCH2	1
9	GX5041200	GASKET,7-47 64X7-1 8X 1 32 ,N-8090	1
10	GX5041400	GASKET,IMP SCR W,1-1 4X1-13 16 X1 32	1
11	GX5099800	O-RING,1-5 8X1-3 4X1 16,BUNA SLEEVE	1
	<i>GX5099802</i>	<i>O-RING,T2 T21,1-5 8,EPDM,SLV (1-5 8 X 1-3 4 X 1 16)</i>	1
	<i>GX5099801</i>	<i>O-RING,33 43,VIT,FDA COMPL DCH3</i>	1
12	GX5091400	SPLASHPLATE,EC2 KC2 RC2 ZC2,SS FR213-256	1
13	GX5051200	KEY,IMPLR/SLV,2.0X.25X.25 304-SS	1
14	GS8105530	KIT,1-5 8,T21,CE CA BU ZCH2	1
	<i>GS8105530-316SS</i>	<i>KIT,1-5 8,T21,CE CA BU,316SS MET ZCH2</i>	1
	<i>GS8106560</i>	<i>KIT,1-5 8,T21,CE CA VI ZCH2</i>	1
	<i>GS8107110</i>	<i>KIT,1-5 8,T21,TC CA VI ZCH2</i>	1
	<i>GS8107140</i>	<i>KIT,1-5 8,T21,SC CA VI ZCH2 3X2.5 4X3</i>	1
	<i>GS8111200-316SS</i>	<i>KIT,1-5 8,T21,TC SC BU,316SS MET ZCH2,3X2.5,4X3</i>	1
17	GX5077500	CAPSCRW,SH,1 2-13X3,BLK OX SCKT HD	4
18	GX5077200	CAPSCRW,HX,3 8-16X1-1 4,18-8SS HX HD	8
21	GX5099300	O-RING,1-3 8X1-1 2X1 16,BUNA SLEEVE	1
	<i>GX5099301</i>	<i>O-RING,T1 T21,1-5 8,EPDM,SLV (1-3 8 X 1-1 2 X 1 16)</i>	1
	<i>GX5099302</i>	<i>O-RING,33 43,VIT,FDA COMPL DCH3</i>	1



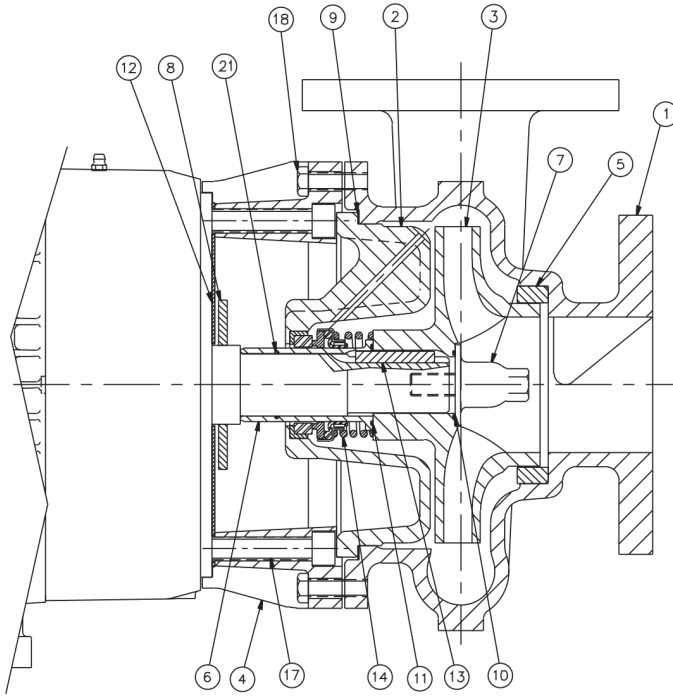
Ref #	Component
1	Casing
2	Cover
3	Impeller
4	Adapter
5	Wear Ring (Casing)
6	Shaft Sleeve
7	Impeller Screw
8	Slinger
9	Gasket, Casing
10	Gasket, Impeller Screw
11	O-Ring, Shaft Sleeve
12	Splashplate
13	Key, Impeller
14	Seal Kit
17	Capscrew (Motor/Adapter)
18	Capscrew (Casing/Adapter)
21*	O-Ring, Shaft Sleeve
22**	Wear Ring (Cover)

\* ZCH2 Only  
\*\* ZC2/ZCH2 4 x 3 Only

**Exploded View**

*Optional Items Shown in ITALICS*

Ref #	Component Item No.	Description	Qty Per
1	DV8400777	CASING,3X2-1/2,2205 ZC2	1
2	DC8301737	COVER,3X2-1/2,2205 ZCH2	1
3	DI8203017	IMPELLER,3X2-1/2,2205,SANDCAST ZCH2	1
4	GX8401361	ADAPTER,280 JM FRAME ZCH2	1
5	DW8100577	RING,WEAR,3 SUCTION,2205 ZC2 ZCH2 3X2-1/2	1
6	DX8104427	SLEEVE,SHFT,2205 ZCH2	1
7	DI8102727	SCREW,22/43/66/325,IMP,2205 ZCH2	1
8	GX5098700	SLINGER,1-23/32X3-3/4X 3/16 ZCH2	1
9	GX5041200	GASKET,7-47/64X7-1/8X 1/32 ,N-8090	1
10	GX5041400	GASKET,IMP SCRW,1-1/4X1-13/16 X1/32	1
11	GX5099800	O-RING,1-5/8X1-3/4X1/16,BUNA SLEEVE	1
	<i>GX5099802</i>	<i>O-RING,T2 T21,1-5/8,EPDM,SLV (1-5/8 X 1-3/4 X 1/16)</i>	<i>1</i>
	<i>GX5099801</i>	<i>O-RING,33/43,VIT,FDA COMPL DCH3</i>	<i>1</i>
12	SX8101072	SPLASHPLATE,280JM FRM ZCH2	1
13	GX5051200	KEY,IMPLR/SLV,2.0X.25X.25 304-SS	1
14	GS8105530	KIT,1-5/8,T21,CE/CA/BU ZCH2	1
	<i>GS8105530-316SS</i>	<i>KIT,1-5/8,T21,CE/CA/BU,316SS MET ZCH2</i>	<i>1</i>
	<i>GS8106560</i>	<i>KIT,1-5/8,T21,CE/CA/VI ZCH2</i>	<i>1</i>
	<i>GS8107110</i>	<i>KIT,1-5/8,T21,TC/CA/VI ZCH2</i>	<i>1</i>
	<i>GS8107140</i>	<i>KIT,1-5/8,T21,SC/CA/VI ZCH2 3X2.5 4X3</i>	<i>1</i>
	<i>GS8111200-316SS</i>	<i>KIT,1-5/8,T21,TC/SC/BU,316SS MET ZCH2,3X2.5,4X3</i>	<i>1</i>
17	GX5076700	CAPSCRW,HX,5/8-11X1-1/2,18-8SS HX HD	4
18	GX5077200	CAPSCRW,HX,3/8-16X1-1/4,18-8SS HX HD	8
21	GX5099300	O-RING,1-3/8X1-1/2X1/16,BUNA SLEEVE	1
	<i>GX5099301</i>	<i>O-RING,T1 T21,1-5/8,EPDM,SLV (1-3/8 X 1-1/2 X 1/16)</i>	<i>1</i>
	<i>GX5099302</i>	<i>O-RING,33/43,VIT,FDA COMPL DCH3</i>	<i>1</i>



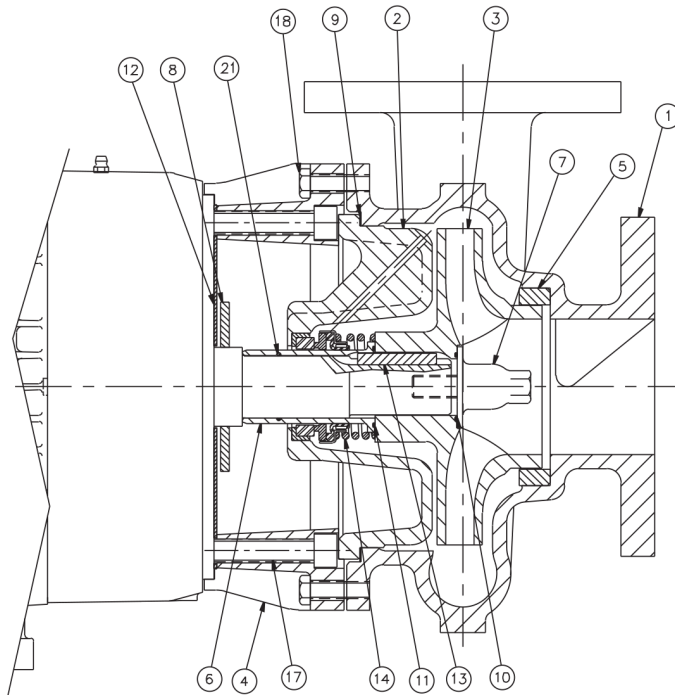
Ref #	Component
1	Casing
2	Cover
3	Impeller
4	Adapter
5	Wear Ring (Casing)
6	Shaft Sleeve
7	Impeller Screw
8	Slinger
9	Gasket, Casing
10	Gasket, Impeller Screw
11	O-Ring, Shaft Sleeve
12	Splashplate
13	Key, Impeller
14	Seal Kit
17	Capscrew (Motor/Adapter)
18	Capscrew (Casing/Adapter)
21*	O-Ring, Shaft Sleeve
22**	Wear Ring (Cover)

\* ZCH2 Only  
\*\* ZC2/ZCH2 4 x 3 Only

**Exploded View**

*Optional Items Shown in ITALICS*

Ref #	Component Item No.	Description	Qty Per
1	DV8400787	CASING,4X3,2205 ZC2	1
2	DC8302047	COVER,4X3,2205 ZCH2	1
3	DI8302667	IMPELLER,4X3,2205 ZCH2	1
4	GX8401251	ADAPTER,250 JM FRAME ZCH2	1
	<i>SX8401252</i>	<i>ADAPTER,250 JM FRAME,SS NS ZCH2</i>	<i>1</i>
5	DW8100547	RING,WEAR,4 SUCTION,2205 ZC2 ZCH2 4X3	2
6	DX8104427	SLEEVE,SHFT,2205 ZCH2	1
7	DI8102727	SCREW,22 43 66 325,IMP,2205 ZCH2	1
8	GX5098700	SLINGER,1-23 32X3-3 4X 3 16 ZCH2	1
9	GX5041200	GASKET,7-47 64X7-1 8X 1 32 ,N-8090	1
10	GX5099300	O-RING,1-3 8X1-1 2X1 16,BUNA SLEEVE	1
	<i>GX5099301</i>	<i>O-RING,T1 T21,1-5 8,EPDM,SLV (1-3 8 X 1-1 2 X 1 16)</i>	<i>1</i>
	<i>GX5099302</i>	<i>O-RING,33 43,VIT,FDA COMPL DCH3</i>	<i>1</i>
11	GX5099800	O-RING,1-5 8X1-3 4X1 16,BUNA SLEEVE	1
	<i>GX5099802</i>	<i>O-RING,T2 T21,1-5 8,EPDM,SLV (1-5 8 X 1-3 4 X 1 16)</i>	<i>1</i>
	<i>GX5099801</i>	<i>O-RING,33 43,VIT,FDA COMPL DCH3</i>	<i>1</i>
12	GX5091400	SPLASHPLATE,EC2 KC2 RC2 ZC2,SS FR213-256	1
13	GX5051200	KEY,IMPLR/SLV,2.0X.25X.25 304-SS	1
14	GS8105530	KIT,1-5 8,T21,CE/CA/BU ZCH2	1
	<i>GS8105530-316SS</i>	<i>KIT,1-5 8,T21,CE/CA/BU,316SS MET ZCH2</i>	<i>1</i>
	<i>GS8106560</i>	<i>KIT,1-5 8,T21,CE/CA/VI ZCH2</i>	<i>1</i>
	<i>GS8107110</i>	<i>KIT,1-5 8,T21,TC/CA/VI ZCH2</i>	<i>1</i>
	<i>GS8107140</i>	<i>KIT,1-5 8,T21,SC/CA/VI ZCH2 3X2.5 4X3</i>	<i>1</i>
	<i>GS8111200-316SS</i>	<i>KIT,1-5 8,T21,TC/SC/BU,316SS MET ZCH2,3X2.5,4X3</i>	<i>1</i>
17	GX5077500	CAPSCRW,SH,1 2-13X3,BLK OX SCKT HD	4
18	GX5077200	CAPSCRW,HX,3 8-16X1-1 4,18-8SS HX HD	8
21	GX5099300	O-RING,1-3 8X1-1 2X1 16,BUNA SLEEVE	1



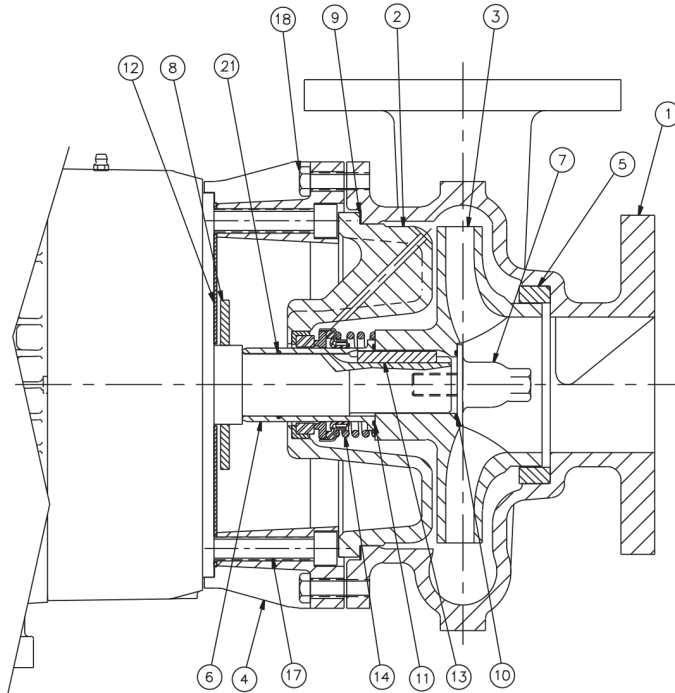
Ref #	Component
1	Casing
2	Cover
3	Impeller
4	Adapter
5	Wear Ring (Casing)
6	Shaft Sleeve
7	Impeller Screw
8	Slinger
9	Gasket, Casing
10	Gasket, Impeller Screw
11	O-Ring, Shaft Sleeve
12	Splashplate
13	Key, Impeller
14	Seal Kit
17	Capscrew (Motor/Adapter)
18	Capscrew (Casing/Adapter)
21*	O-Ring, Shaft Sleeve
22**	Wear Ring (Cover)

\* ZCH2 Only  
\*\* ZC2/ZCH2 4 x 3 Only

**Exploded View**

*Optional Items Shown in ITALICS*

Ref #	Component Item No.	Description	Qty Per
21	<i>GX5099301</i>	<i>O-RING, T1 T21, 1-5/8, EPDM, SLV (1-3/8 X 1-1/2 X 1/16)</i>	1
	<i>GX5099302</i>	<i>O-RING, 33/43, VIT, FDA COMPL DCH3</i>	1



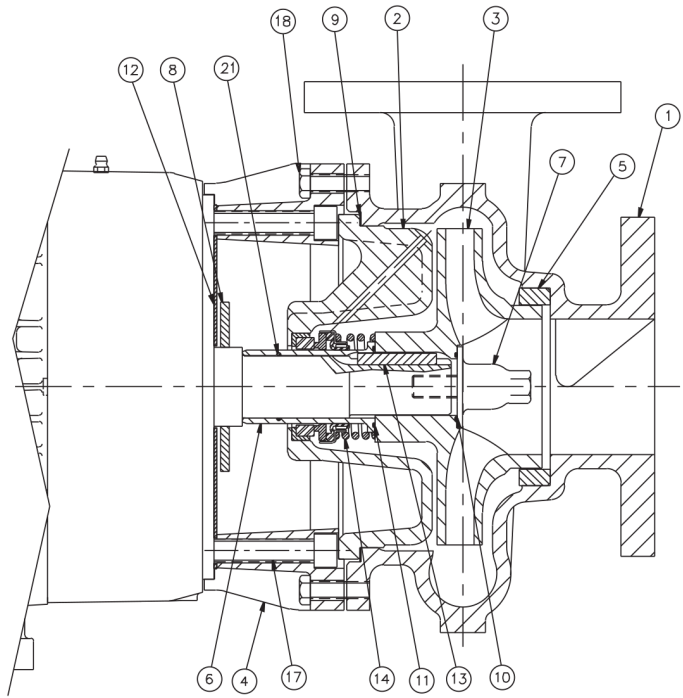
Ref #	Component
1	Casing
2	Cover
3	Impeller
4	Adapter
5	Wear Ring (Casing)
6	Shaft Sleeve
7	Impeller Screw
8	Slinger
9	Gasket, Casing
10	Gasket, Impeller Screw
11	O-Ring, Shaft Sleeve
12	Splashplate
13	Key, Impeller
14	Seal Kit
17	Capscrew (Motor/Adapter)
18	Capscrew (Casing/Adapter)
21*	O-Ring, Shaft Sleeve
22**	Wear Ring (Cover)

\* ZCH2 Only  
\*\* ZC2/ZCH2 4 x 3 Only

**Exploded View**

*Optional Items Shown in ITALICS*

Ref #	Component Item No.	Description	Qty Per
1	DV8400787	CASING,4X3,2205 ZC2	1
2	DC8302047	COVER,4X3,2205 ZCH2	1
3	DI8302667	IMPELLER,4X3,2205 ZCH2	1
4	GX8401361	ADAPTER,280 JM FRAME ZCH2	1
5	DW8100547	RING,WEAR,4 SUCTION,2205 ZC2 ZCH2 4X3	2
6	DX8104427	SLEEVE,SHFT,2205 ZCH2	1
7	DI8102727	SCREW,22 43 66 325,IMP,2205 ZCH2	1
8	GX5098700	SLINGER,1-23 32X3-3 4X 3 16 ZCH2	1
9	GX5041200	GASKET,7-47 64X7-1 8X 1 32 ,N-8090	1
10	GX5099300	O-RING,1-3 8X1-1 2X1 16,BUNA SLEEVE	1
	<i>GX5099301</i>	<i>O-RING,T1 T21,1-5 8,EPDM,SLV (1-3 8 X 1-1 2 X 1 16)</i>	<i>1</i>
	<i>GX5099302</i>	<i>O-RING,33 43,VIT,FDA COMPL DCH3</i>	<i>1</i>
11	GX5099800	O-RING,1-5 8X1-3 4X1 16,BUNA SLEEVE	1
	<i>GX5099802</i>	<i>O-RING,T2 T21,1-5 8,EPDM,SLV (1-5 8 X 1-3 4 X 1 16)</i>	<i>1</i>
	<i>GX5099801</i>	<i>O-RING,33 43,VIT,FDA COMPL DCH3</i>	<i>1</i>
12	SX8101072	SPLASHPLATE,280JM FRM ZCH2	1
13	GX5051200	KEY,IMPLR/SLV,2.0X.25X.25 304-SS	1
14	GS8105530	KIT,1-5 8,T21,CE/CA/BU ZCH2	1
	<i>GS8105530-316SS</i>	<i>KIT,1-5 8,T21,CE/CA/BU,316SS MET ZCH2</i>	<i>1</i>
	<i>GS8106560</i>	<i>KIT,1-5 8,T21,CE/CA/VI ZCH2</i>	<i>1</i>
	<i>GS8107110</i>	<i>KIT,1-5 8,T21,TC/CA/VI ZCH2</i>	<i>1</i>
	<i>GS8107140</i>	<i>KIT,1-5 8,T21,SC/CA/VI ZCH2 3X2.5 4X3</i>	<i>1</i>
	<i>GS8111200-316SS</i>	<i>KIT,1-5 8,T21,TC/SC/BU,316SS MET ZCH2,3X2.5,4X3</i>	<i>1</i>
17	GX5076700	CAPSCRW,HX,5 8-11X1-1 2,18-8SS HX HD	4
18	GX5077200	CAPSCRW,HX,3 8-16X1-1 4,18-8SS HX HD	8
21	GX5099300	O-RING,1-3 8X1-1 2X1 16,BUNA SLEEVE	1
	<i>GX5099301</i>	<i>O-RING,T1 T21,1-5 8,EPDM,SLV (1-3 8 X 1-1 2 X 1 16)</i>	<i>1</i>



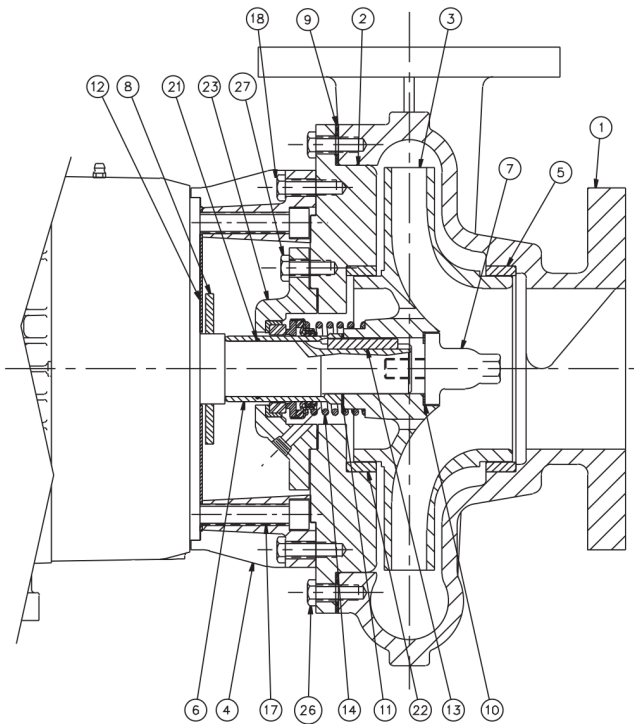
Ref #	Component
1	Casing
2	Cover
3	Impeller
4	Adapter
5	Wear Ring (Casing)
6	Shaft Sleeve
7	Impeller Screw
8	Slinger
9	Gasket, Casing
10	Gasket, Impeller Screw
11	O-Ring, Shaft Sleeve
12	Splashplate
13	Key, Impeller
14	Seal Kit
17	Capscrew (Motor/Adapter)
18	Capscrew (Casing/Adapter)
21*	O-Ring, Shaft Sleeve
22**	Wear Ring (Cover)

\* ZCH2 Only  
\*\* ZC2/ZCH2 4 x 3 Only

**Exploded View**

*Optional Items Shown in ITALICS*

Ref #	Component Item No.	Description	Qty Per
21	<i>GX5099302</i>	<i>O-RING,33/43,VIT,FDA COMPL DCH3</i>	1



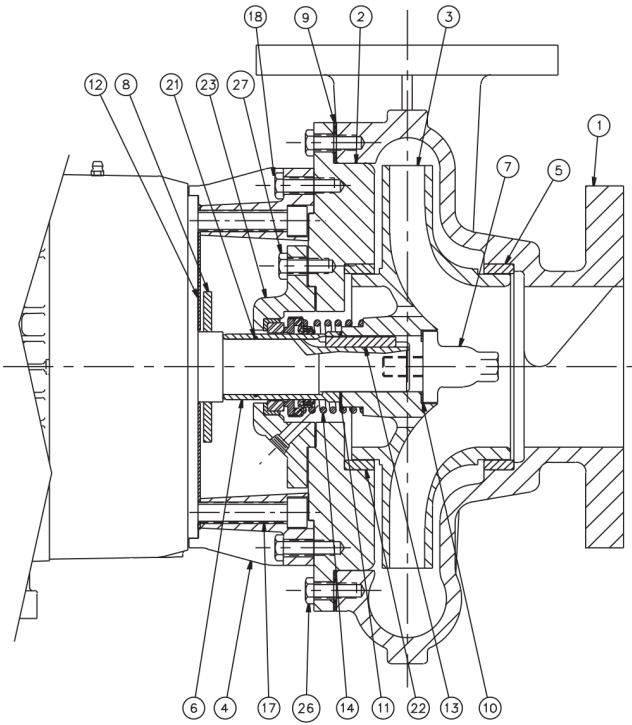
Ref #	Component
1	Casing
2	Cover
3	Impeller
4	Adapter
5	Wear Ring (Casing)
6	Shaft Sleeve
7	Impeller Screw
8	Slinger
9	Gasket, Casing
10	Gasket, Impeller Screw
11	O-Ring, Shaft Sleeve
12	Splashplate
13	Key, Impeller
14	Seal Kit
17	Capscrew (Motor/Adapter)
18	Capscrew (Cover/Adapter)
21*	O-Ring, Shaft Sleeve
22**	Wear Ring (Cover)
23	Stuffing Box
24	Gasket, Stuffing Box
26	Capscrew (Casing/Cover)
27	Capscrew (Cover/Stuffing Box)

\* ZCH2 Only  
\*\* Not Required for 1-1/2 x 1-1/2 Models

**Exploded View**

*Optional Items Shown in ITALICS*

Ref #	Component Item No.	Description	Qty Per
1	DV8402597	CASING,4X3C,2205 ZCH2	1
2	DC8402607	COVER,4X3C,2205,SGL SEAL ZCH2	1
3	DI8304147	IMPELLER,4X3C,2205 ZCH2	1
4	GX8401251	ADAPTER,250 JM FRAME ZCH2	1
	<i>SX8401252</i>	<i>ADAPTER,250 JM FRAME,SS NS ZCH2</i>	<i>1</i>
5	DW8107687	RING,WEAR,3X2 4X3 L ,2205, STUFF BX ZCH2 ZCH2	1
6	DX8104427	SLEEVE,SHFT,2205 ZCH2	1
7	DI8110427	SCREW,43C,IMP,2205 ZCH2	1
8	GX5098700	SLINGER,1-23/32X3-3/4X 3/16 ZCH2	1
9	GX5041300	GASKET,9-1/4 X 10 X1/16,N-8090	1
10	GX5041400	GASKET,IMP SCRW,1-1/4X1-13/16 X1/32	1
	GX5099304	O-RING,43C,IMP SCRW,VIT ZCH2	1
11	GX5099800	O-RING,1-5/8X1-3/4X1/16,BUNA SLEEVE	1
	<i>GX5099802</i>	<i>O-RING,T2 T21,1-5/8,EPDM,SLV (1-5/8 X 1-3/4 X 1/16)</i>	<i>1</i>
	<i>GX5099801</i>	<i>O-RING,33/43,VIT,FDA COMPL DCH3</i>	<i>1</i>
12	GX5091400	SPLASHPLATE,EC2 KC2 RC2 ZC2,SS FR213-256	1
13	GX5051200	KEY,IMPLR/SLV,2.0X.25X.25 304-SS	1
14	GS8107770	KIT,1-5/8,T21L,CE/CA/BU ZCH2 32	1
	<i>GS8107770-316SS</i>	<i>KIT,1-5/8,32,T21L,CE/CA/BU 316SS MET ZCH2</i>	<i>1</i>
	<i>GS8107780</i>	<i>KIT,1-5/8,T21,CE/CA/VI ZCH2 43L</i>	<i>1</i>
17	GX5076700	CAPSCRW,HX,5/8-11X1-1/2,18-8SS HX HD	4
18	GX5077200	CAPSCRW,HX,3/8-16X1-1/4,18-8SS HX HD	8
21	GX5099300	O-RING,1-3/8X1-1/2X1/16,BUNA SLEEVE	1
	<i>GX5099301</i>	<i>O-RING,T1 T21,1-5/8,EPDM,SLV (1-3/8 X 1-1/2 X 1/16)</i>	<i>1</i>
	<i>GX5099302</i>	<i>O-RING,33/43,VIT,FDA COMPL DCH3</i>	<i>1</i>
22	DW8107687	RING,WEAR,3X2 4X3 L ,2205, STUFF BX ZCH2 ZCH2	1
23	DX8204237	STUFFING BOX,2205,SGL SEAL ZCH2	1



Ref #	Component
1	Casing
2	Cover
3	Impeller
4	Adapter
5	Wear Ring (Casing)
6	Shaft Sleeve
7	Impeller Screw
8	Slinger
9	Gasket, Casing
10	Gasket, Impeller Screw
11	O-Ring, Shaft Sleeve
12	Splashplate
13	Key, Impeller
14	Seal Kit
17	Capscrew (Motor/Adapter)
18	Capscrew (Cover/Adapter)
21*	O-Ring, Shaft Sleeve
22**	Wear Ring (Cover)
23	Stuffing Box
24	Gasket, Stuffing Box
26	Capscrew (Casing/Cover)
27	Capscrew (Cover/Stuffing Box)

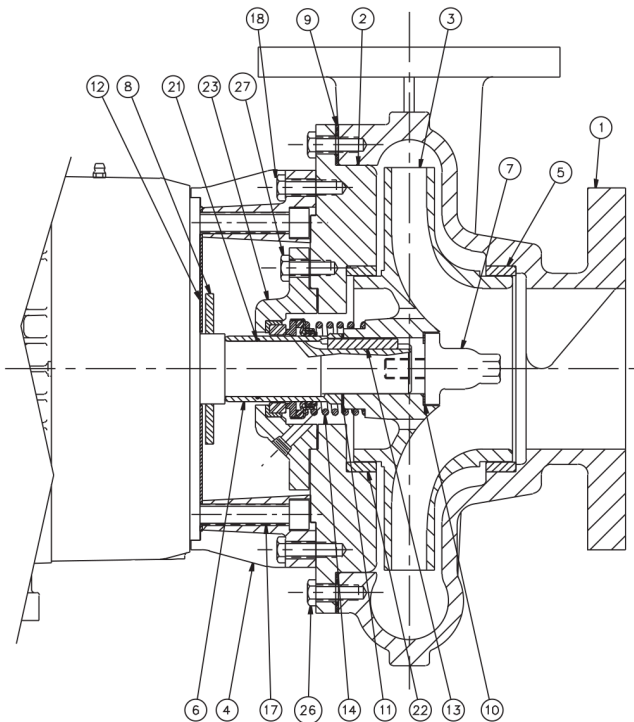
\* ZCH2 Only

\*\* Not Required for 1-1/2 x 1-1/2 Models

**Exploded View**

*Optional Items Shown in ITALICS*

Ref #	Component Item No.	Description	Qty Per
24	<b>GX5041900</b>	<b>GASKET,4X3X1/32,N-8090,STFBX STUFFING BOX</b>	<b>1</b>
26	<b>GX5077100</b>	<b>CAPSCRW,HX,3/8-16X1,18-8SS HX HD</b>	<b>12</b>
27	<b>GX5077100</b>	<b>CAPSCRW,HX,3/8-16X1,18-8SS HX HD</b>	<b>4</b>



Ref #	Component
1	Casing
2	Cover
3	Impeller
4	Adapter
5	Wear Ring (Casing)
6	Shaft Sleeve
7	Impeller Screw
8	Slinger
9	Gasket, Casing
10	Gasket, Impeller Screw
11	O-Ring, Shaft Sleeve
12	Splashplate
13	Key, Impeller
14	Seal Kit
17	Capscrew (Motor/Adapter)
18	Capscrew (Cover/Adapter)
21*	O-Ring, Shaft Sleeve
22**	Wear Ring (Cover)
23	Stuffing Box
24	Gasket, Stuffing Box
26	Capscrew (Casing/Cover)
27	Capscrew (Cover/Stuffing Box)

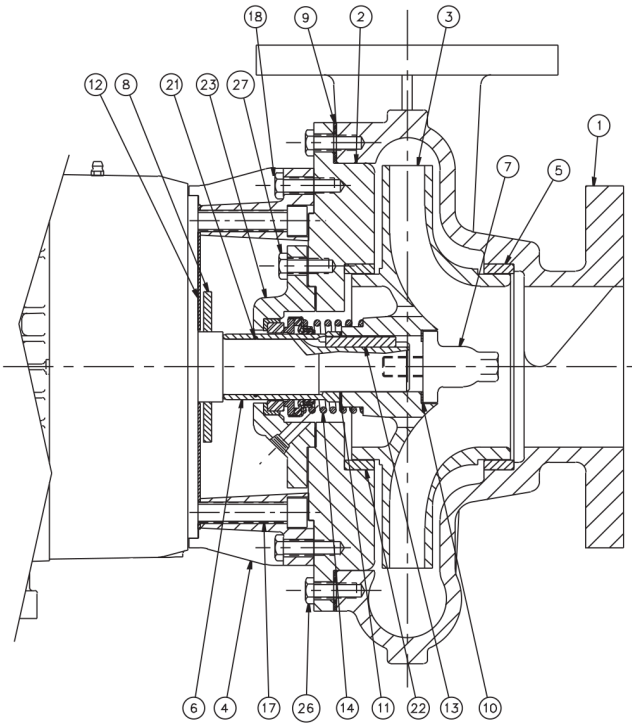
\* ZCH2 Only

\*\* Not Required for 1-1/2 x 1-1/2 Models

**Exploded View**

*Optional Items Shown in ITALICS*

Ref #	Component Item No.	Description	Qty Per
1	DV8402597	CASING,4X3C,2205 ZCH2	1
2	DC8402607	COVER,4X3C,2205,SGL SEAL ZCH2	1
3	DI8304147	IMPELLER,4X3C,2205 ZCH2	1
4	GX8401361	ADAPTER,280 JM FRAME ZCH2	1
5	DW8107687	RING,WEAR,3X2 4X3 L ,2205, STUFF BX ZCH2 ZCH2	1
6	DX8104427	SLEEVE,SHFT,2205 ZCH2	1
7	DI8110427	SCREW,43C,IMP,2205 ZCH2	1
8	GX5098700	SLINGER,1-23/32X3-3/4X 3/16 ZCH2	1
9	GX5041300	GASKET,9-1/4 X 10 X1/16,N-8090	1
10	GX5099304	O-RING,43C,IMP SCRW,VIT ZCH2	1
11	GX5099800	O-RING,1-5/8X1-3/4X1/16,BUNA SLEEVE	1
	<i>GX5099802</i>	<i>O-RING,T2 T21,1-5/8,EPDM,SLV (1-5/8 X 1-3/4 X 1/16)</i>	<i>1</i>
	<i>GX5099801</i>	<i>O-RING,33/43,VIT,FDA COMPL DCH3</i>	<i>1</i>
12	SX8101072	SPLASHPLATE,280JM FRM ZCH2	1
13	GX5051200	KEY,IMPLR/SLV,2.0X.25X.25 304-SS	1
14	GS8107770	KIT,1-5/8,T21L,CE/CA/BU ZCH2 32	1
	<i>GS8107770-316SS</i>	<i>KIT,1-5/8,32,T21L,CE/CA/BU 316SS MET ZCH2</i>	<i>1</i>
	<i>GS8107780</i>	<i>KIT,1-5/8,T21,CE/CA/VI ZCH2 43L</i>	<i>1</i>
17	GX5076700	CAPSCRW,HX,5/8-11X1-1/2,18-8SS HX HD	4
18	GX5077200	CAPSCRW,HX,3/8-16X1-1/4,18-8SS HX HD	8
21	GX5099300	O-RING,1-3/8X1-1/2X1/16,BUNA SLEEVE	1
	<i>GX5099301</i>	<i>O-RING,T1 T21,1-5/8,EPDM,SLV (1-3/8 X 1-1/2 X 1/16)</i>	<i>1</i>
	<i>GX5099302</i>	<i>O-RING,33/43,VIT,FDA COMPL DCH3</i>	<i>1</i>
22	DW8107687	RING,WEAR,3X2 4X3 L ,2205, STUFF BX ZCH2 ZCH2	1
23	DX8204237	STUFFING BOX,2205,SGL SEAL ZCH2	1
24	GX5041900	GASKET,4X3X1/32,N-8090,STFBX STUFFING BOX	1
26	GX5077100	CAPSCRW,HX,3/8-16X1,18-8SS HX HD	12



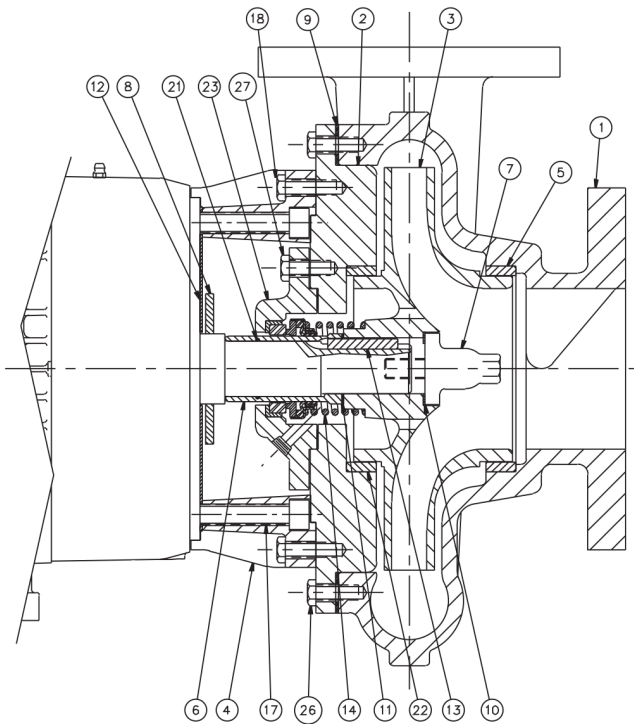
Ref #	Component
1	Casing
2	Cover
3	Impeller
4	Adapter
5	Wear Ring (Casing)
6	Shaft Sleeve
7	Impeller Screw
8	Slinger
9	Gasket, Casing
10	Gasket, Impeller Screw
11	O-Ring, Shaft Sleeve
12	Splashplate
13	Key, Impeller
14	Seal Kit
17	Capscrew (Motor/Adapter)
18	Capscrew (Cover/Adapter)
21*	O-Ring, Shaft Sleeve
22**	Wear Ring (Cover)
23	Stuffing Box
24	Gasket, Stuffing Box
26	Capscrew (Casing/Cover)
27	Capscrew (Cover/Stuffing Box)

\* ZCH2 Only  
\*\* Not Required for 1-1/2 x 1-1/2 Models

**Exploded View**

*Optional Items Shown in ITALICS*

Ref #	Component Item No.	Description	Qty Per
27	<i>GX5077100</i>	<i>CAPSCRW,HX,3/8-16X1,18-8SS HX HD</i>	4



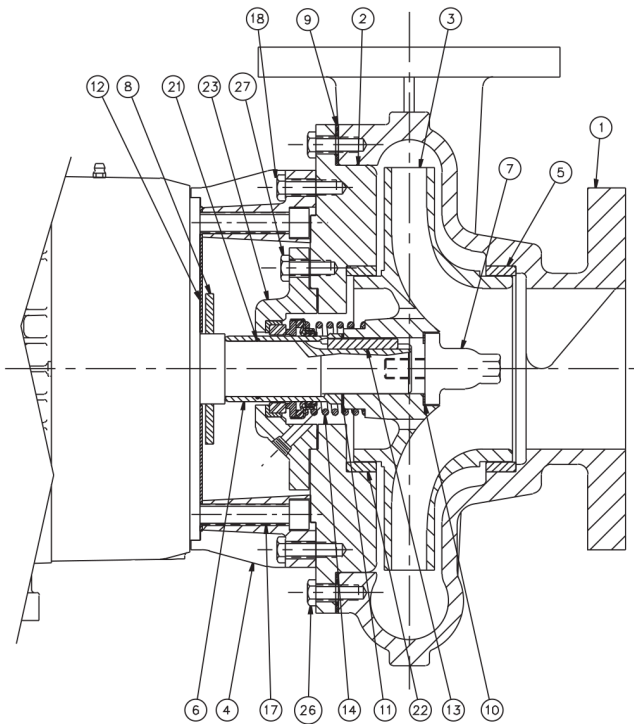
Ref #	Component
1	Casing
2	Cover
3	Impeller
4	Adapter
5	Wear Ring (Casing)
6	Shaft Sleeve
7	Impeller Screw
8	Slinger
9	Gasket, Casing
10	Gasket, Impeller Screw
11	O-Ring, Shaft Sleeve
12	Splashplate
13	Key, Impeller
14	Seal Kit
17	Capscrew (Motor/Adapter)
18	Capscrew (Cover/Adapter)
21*	O-Ring, Shaft Sleeve
22**	Wear Ring (Cover)
23	Stuffing Box
24	Gasket, Stuffing Box
26	Capscrew (Casing/Cover)
27	Capscrew (Cover/Stuffing Box)

\* ZCH2 Only  
\*\* Not Required for 1-1/2 x 1-1/2 Models

**Exploded View**

*Optional Items Shown in ITALICS*

Ref #	Component Item No.	Description	Qty Per
1	DV8402407	CASING,4X3L,2205 ZC2	1
2	DC8402267	COVER,4X3L,2205 ZC2	1
3	DI8303687	IMPELLER,4X3L,2205,T21 ZCH2	1
4	GX8401251	ADAPTER,250 JM FRAME ZCH2	1
	<i>SX8401252</i>	<i>ADAPTER,250 JM FRAME,SS NS ZCH2</i>	<i>1</i>
5	DW8107687	RING,WEAR,3X2 4X3 L ,2205, STUFF BX ZCH2 ZCH2	1
6	DX8107647	SLEEVE,SHFT,4X3C,2205 ZCH2	1
7	DI8107737	SCREW,32 43L 54P 86,IMP,2205 ZCH2	1
8	GX5098700	SLINGER,1-23 32X3-3 4X 3 16 ZCH2	1
9	GX5106200	GASKET,3X2,CVR,CASING 10-1 8X 12-1 8 X 1 16 N-8090	1
10	GX5041400	GASKET,IMP SCRW,1-1 4X1-13 16 X1 32	1
11	GX5041600	GASKET,1-1 4X1-3 4X1 32 1 4 KEYSLOT,SLV/IMP	1
12	GX5091400	SPLASHPLATE,EC2 KC2 RC2 ZC2,SS FR213-256	1
13	GX5051200	KEY,IMPLR/SLV,2.0X.25X.25 304-SS	1
14	GS8107770	KIT,1-5 8,T21L,CE CA BU ZCH2 32	1
	<i>GS8107770-316SS</i>	<i>KIT,1-5 8,32,T21L,CE CA BU 316SS MET ZCH2</i>	<i>1</i>
	<i>GS8107780</i>	<i>KIT,1-5 8,T21,CE CA VI ZCH2 43L</i>	<i>1</i>
17	GX5077500	CAPSCRW,SH,1 2-13X3,BLK OX SCKT HD	4
18	GX5077200	CAPSCRW,HX,3 8-16X1-1 4,18-8SS HX HD	8
21	GX5099300	O-RING,1-3 8X1-1 2X1 16,BUNA SLEEVE	1
	<i>GX5099301</i>	<i>O-RING,T1 T21,1-5 8,EPDM,SLV (1-3 8 X 1-1 2 X 1 16)</i>	<i>1</i>
	<i>GX5099302</i>	<i>O-RING,33 43,VIT,FDA COMPL DCH3</i>	<i>1</i>
22	DW8107687	RING,WEAR,3X2 4X3 L ,2205, STUFF BX ZCH2 ZCH2	1
23	DX8204237	STUFFING BOX,2205,SGL SEAL ZCH2	1
24	GX5041900	GASKET,4X3X1 32,N-8090,STFBX STUFFING BOX	1
26	GX5077100	CAPSCRW,HX,3 8-16X1,18-8SS HX HD	12
27	GX5077100	CAPSCRW,HX,3 8-16X1,18-8SS HX HD	4



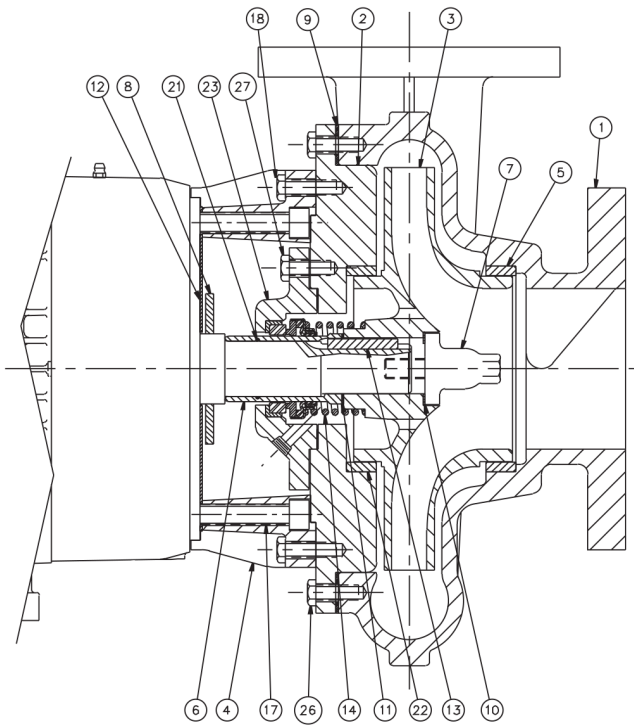
Ref #	Component
1	Casing
2	Cover
3	Impeller
4	Adapter
5	Wear Ring (Casing)
6	Shaft Sleeve
7	Impeller Screw
8	Slinger
9	Gasket, Casing
10	Gasket, Impeller Screw
11	O-Ring, Shaft Sleeve
12	Splashplate
13	Key, Impeller
14	Seal Kit
17	Capscrew (Motor/Adapter)
18	Capscrew (Cover/Adapter)
21*	O-Ring, Shaft Sleeve
22**	Wear Ring (Cover)
23	Stuffing Box
24	Gasket, Stuffing Box
26	Capscrew (Casing/Cover)
27	Capscrew (Cover/Stuffing Box)

\* ZCH2 Only  
\*\* Not Required for 1-1/2 x 1-1/2 Models

**Exploded View**

*Optional Items Shown in ITALICS*

Ref #	Component Item No.	Description	Qty Per
1	DV8404387	CASING,5X4P,2205 ZCH2	1
2	DC8404597	COVER,5X4P,2205 ZCH2	1
3	DI8404367	IMPELLER,5X4P,2205 ZCH2	1
4	GX8401251	ADAPTER,250 JM FRAME ZCH2	1
	<i>SX8401252</i>	<i>ADAPTER,250 JM FRAME,SS NS ZCH2</i>	<i>1</i>
5	DW8110537	RING,WEAR,5X4P,2205 ZC2 ZCH2 5X4P	1
6	DX8104427	SLEEVE,SHFT,2205 ZCH2	1
7	DI8107737	SCREW,32/43L/54P/86,IMP,2205 ZCH2	1
8	GX5098700	SLINGER,1-23/32X3-3/4X 3/16 ZCH2	1
10	GX5099800	O-RING,1-5/8X1-3/4X1/16,BUNA SLEEVE	1
	<i>GX5099802</i>	<i>O-RING,T2 T21,1-5/8,EPDM,SLV (1-5/8 X 1-3/4 X 1/16)</i>	<i>1</i>
	<i>GX5099801</i>	<i>O-RING,33/43,VIT,FDA COMPL DCH3</i>	<i>1</i>
11	GX5099800	O-RING,1-5/8X1-3/4X1/16,BUNA SLEEVE	1
	<i>GX5099802</i>	<i>O-RING,T2 T21,1-5/8,EPDM,SLV (1-5/8 X 1-3/4 X 1/16)</i>	<i>1</i>
	<i>GX5099801</i>	<i>O-RING,33/43,VIT,FDA COMPL DCH3</i>	<i>1</i>
13	GX5051200	KEY,IMPLR/SLV,2.0X.25X.25 304-SS	1
14	GS8110590	KIT,1-5/8,T21L,CE/CA/BU ZCH2 54P	1
	<i>GS8110590-316SS</i>	<i>KIT,1-5/8,T21L,CE/CA/BU,316SS MET ZCH2 54P</i>	<i>1</i>
	<i>GS8110694-316SS</i>	<i>KIT,1-5/8,54P,T21,TC/SC/BU 316SS MET ZC2</i>	<i>1</i>
17	GX5077500	CAPSCRW,SH,1/2-13X3,BLK OX SCKT HD	4
18	GX5077200	CAPSCRW,HX,3/8-16X1-1/4,18-8SS HX HD	8
21	GX5099300	O-RING,1-3/8X1-1/2X1/16,BUNA SLEEVE	1
	<i>GX5099301</i>	<i>O-RING,T1 T21,1-5/8,EPDM,SLV (1-3/8 X 1-1/2 X 1/16)</i>	<i>1</i>
	<i>GX5099302</i>	<i>O-RING,33/43,VIT,FDA COMPL DCH3</i>	<i>1</i>
22	DW8110537	RING,WEAR,5X4P,2205 ZC2 ZCH2 5X4P	1
23	DX8204237	STUFFING BOX,2205,SGL SEAL ZCH2	1
24	GX5041900	GASKET,4X3X1/32,N-8090,STFBX STUFFING BOX	1



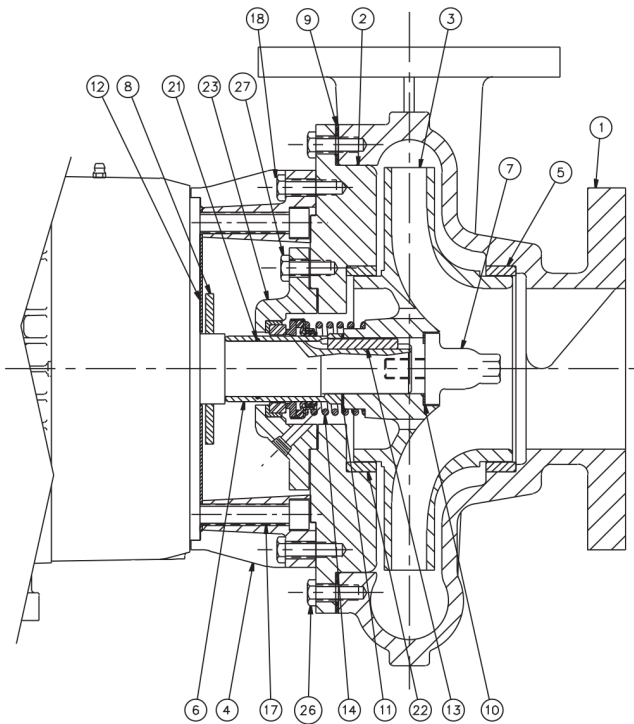
Ref #	Component
1	Casing
2	Cover
3	Impeller
4	Adapter
5	Wear Ring (Casing)
6	Shaft Sleeve
7	Impeller Screw
8	Slinger
9	Gasket, Casing
10	Gasket, Impeller Screw
11	O-Ring, Shaft Sleeve
12	Splashplate
13	Key, Impeller
14	Seal Kit
17	Capscrew (Motor/Adapter)
18	Capscrew (Cover/Adapter)
21*	O-Ring, Shaft Sleeve
22**	Wear Ring (Cover)
23	Stuffing Box
24	Gasket, Stuffing Box
26	Capscrew (Casing/Cover)
27	Capscrew (Cover/Stuffing Box)

\* ZCH2 Only  
\*\* Not Required for 1-1/2 x 1-1/2 Models

**Exploded View**

*Optional Items Shown in ITALICS*

Ref #	Component Item No.	Description	Qty Per
27	GX5077100	CAPSCRW,HX,3/8-16X1,18-8SS HX HD	4



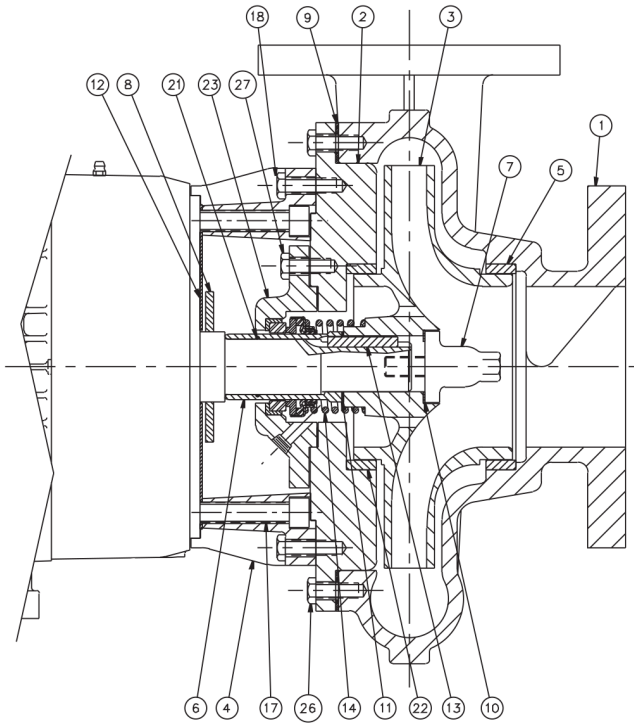
Ref #	Component
1	Casing
2	Cover
3	Impeller
4	Adapter
5	Wear Ring (Casing)
6	Shaft Sleeve
7	Impeller Screw
8	Slinger
9	Gasket, Casing
10	Gasket, Impeller Screw
11	O-Ring, Shaft Sleeve
12	Splashplate
13	Key, Impeller
14	Seal Kit
17	Capscrew (Motor/Adapter)
18	Capscrew (Cover/Adapter)
21*	O-Ring, Shaft Sleeve
22**	Wear Ring (Cover)
23	Stuffing Box
24	Gasket, Stuffing Box
26	Capscrew (Casing/Cover)
27	Capscrew (Cover/Stuffing Box)

\* ZCH2 Only  
\*\* Not Required for 1-1/2 x 1-1/2 Models

**Exploded View**

*Optional Items Shown in ITALICS*

Ref #	Component Item No.	Description	Qty Per
1	DV8404387	CASING,5X4P,2205 ZCH2	1
2	DC8404597	COVER,5X4P,2205 ZCH2	1
3	DI8404367	IMPELLER,5X4P,2205 ZCH2	1
4	GX8406351	ADAPTER,280 JM,5X4P ZCH2	1
5	DW8110537	RING,WEAR,5X4P,2205 ZC2 ZCH2 5X4P	1
6	DX8107647	SLEEVE,SHFT,4X3C,2205 ZCH2	1
7	DI8107737	SCREW,32/43L/54P/86,IMP,2205 ZCH2	1
8	GX5098700	SLINGER,1-23/32X3-3/4X 3/16 ZCH2	1
9	GX8205561	GASKET,54P,CVR ZC2 ZCH2	1
10	GX5099800	O-RING,1-5/8X1-3/4X1/16,BUNA SLEEVE	1
	<i>GX5099802</i>	<i>O-RING,T2 T21,1-5/8,EPDM,SLV (1-5/8 X 1-3/4 X 1/16)</i>	<i>1</i>
	<i>GX5099801</i>	<i>O-RING,33/43,VIT,FDA COMPL DCH3</i>	<i>1</i>
11	GX5099800	O-RING,1-5/8X1-3/4X1/16,BUNA SLEEVE	1
	<i>GX5099802</i>	<i>O-RING,T2 T21,1-5/8,EPDM,SLV (1-5/8 X 1-3/4 X 1/16)</i>	<i>1</i>
	<i>GX5099801</i>	<i>O-RING,33/43,VIT,FDA COMPL DCH3</i>	<i>1</i>
12	SX8101072	SPLASHPLATE,280JM FRM ZCH2	1
13	GX5051200	KEY,IMPLR/SLV,2.0X.25X.25 304-SS	1
14	GS8110590	KIT,1-5/8,T21L,CE/CA/BU ZCH2 54P	1
	<i>GS8110590-316SS</i>	<i>KIT,1-5/8,T21L,CE/CA/BU,316SS MET ZCH2 54P</i>	<i>1</i>
	<i>GS8110694-316SS</i>	<i>KIT,1-5/8,54P,T21,TC/SC/BU 316SS MET ZC2</i>	<i>1</i>
17	GX5076700	CAPSCRW,HX,5/8-11X1-1/2,18-8SS HX HD	4
18	GX5077200	CAPSCRW,HX,3/8-16X1-1/4,18-8SS HX HD	8
21	GX5099300	O-RING,1-3/8X1-1/2X1/16,BUNA SLEEVE	1
	<i>GX5099301</i>	<i>O-RING,T1 T21,1-5/8,EPDM,SLV (1-3/8 X 1-1/2 X 1/16)</i>	<i>1</i>
	<i>GX5099302</i>	<i>O-RING,33/43,VIT,FDA COMPL DCH3</i>	<i>1</i>
22	DW8110537	RING,WEAR,5X4P,2205 ZC2 ZCH2 5X4P	1
23	DX8204237	STUFFING BOX,2205,SGL SEAL ZCH2	1



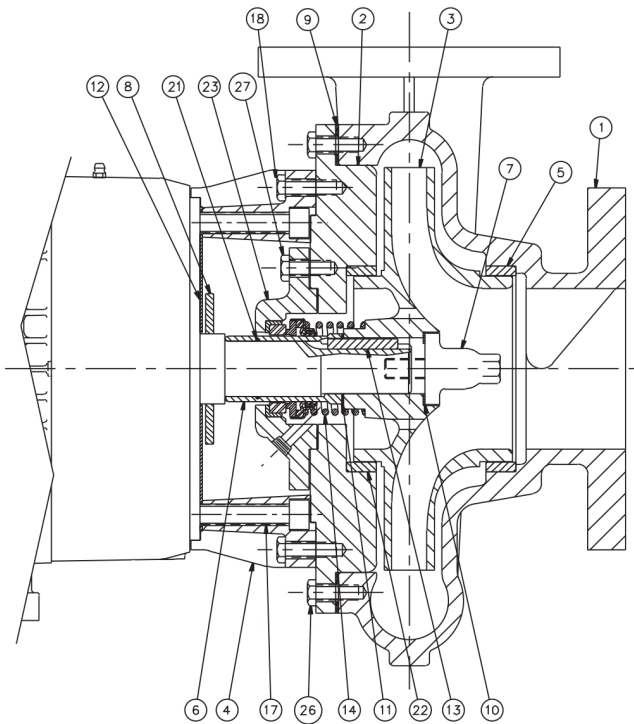
Ref #	Component
1	Casing
2	Cover
3	Impeller
4	Adapter
5	Wear Ring (Casing)
6	Shaft Sleeve
7	Impeller Screw
8	Slinger
9	Gasket, Casing
10	Gasket, Impeller Screw
11	O-Ring, Shaft Sleeve
12	Splashplate
13	Key, Impeller
14	Seal Kit
17	Capscrew (Motor/Adapter)
18	Capscrew (Cover/Adapter)
21*	O-Ring, Shaft Sleeve
22**	Wear Ring (Cover)
23	Stuffing Box
24	Gasket, Stuffing Box
26	Capscrew (Casing/Cover)
27	Capscrew (Cover/Stuffing Box)

\* ZCH2 Only  
\*\* Not Required for 1-1/2 x 1-1/2 Models

**Exploded View**

*Optional Items Shown in ITALICS*

Ref #	Component Item No.	Description	Qty Per
24	<i>GX5041900</i>	<i>GASKET,4X3X1/32,N-8090,STFBX STUFFING BOX</i>	1
26	<i>SC1710H-SS</i>	<i>CAPSCRW,HX,1/2-13X1,18-8SS HX HD</i>	8
27	<i>GX5077100</i>	<i>CAPSCRW,HX,3/8-16X1,18-8SS HX HD</i>	4



Ref #	Component
1	Casing
2	Cover
3	Impeller
4	Adapter
5	Wear Ring (Casing)
6	Shaft Sleeve
7	Impeller Screw
8	Slinger
9	Gasket, Casing
10	Gasket, Impeller Screw
11	O-Ring, Shaft Sleeve
12	Splashplate
13	Key, Impeller
14	Seal Kit
17	Capscrew (Motor/Adapter)
18	Capscrew (Cover/Adapter)
21*	O-Ring, Shaft Sleeve
22**	Wear Ring (Cover)
23	Stuffing Box
24	Gasket, Stuffing Box
26	Capscrew (Casing/Cover)
27	Capscrew (Cover/Stuffing Box)

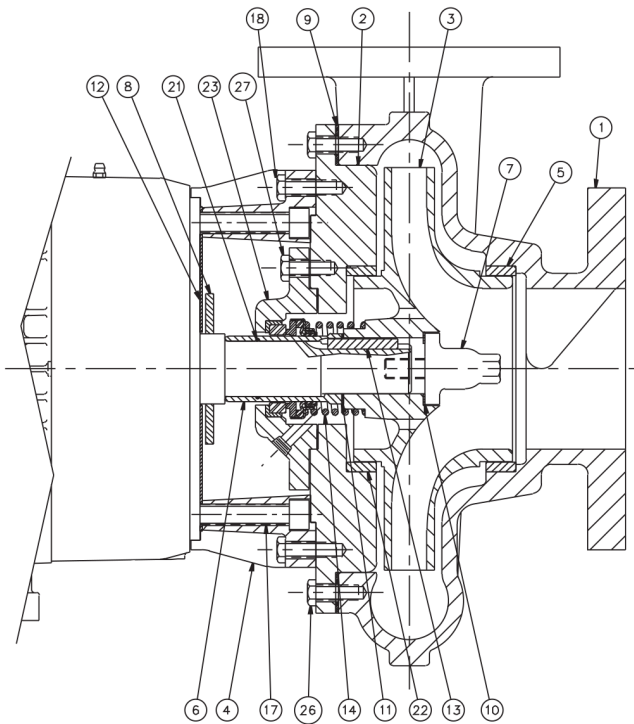
\* ZCH2 Only

\*\* Not Required for 1-1/2 x 1-1/2 Models

**Exploded View**

*Optional Items Shown in ITALICS*

Ref #	Component Item No.	Description	Qty Per
1	DV8402027	CASING,6X6 ZCH2	1
2	DC8402077	COVER,6X6,2205 ZCH2	1
3	DI8303127	IMPELLER,6X6,2205 ZCH2	1
4	GX8402091	ADAPTER,210/250 JP,6X6 ZCH2	1
6	DX8204137	SLEEVE,SHFT,6X6,2205 ZCH2	1
7	DI8102727	SCREW,22/43/66/325,IMP,2205 ZCH2	1
9	GX8204151	GASKET,12-7/16X10-5/16X1/32 N-8090	1
10	GX5099300	O-RING,1-3/8X1-1/2X1/16,BUNA SLEEVE	1
	GX5099301	<i>O-RING,T1 T21,1-5/8,EPDM,SLV (1-3/8 X 1-1/2 X 1/16)</i>	1
	GX5099302	<i>O-RING,33/43,VIT,FDA COMPL DCH3</i>	1
11	GX5041600	GASKET,1-1/4X1-3/4X1/321/4 KEYSLOT,SLV/IMP	1
13	GX5051200	KEY,IMPLR/SLV,2.OX.25X.25 304-SS	1
14	GS8107490	KIT,1-5/8,T21,CE/CA/BU ZCH2 66	1
	GS8107490-316SS	<i>KIT,1-5/8,T21,CE/CA/BU,316SS MET</i>	1
	GS8107500	<i>KIT,1-5/8,T21,CE/CA/VI ZCH2 66</i>	1
17	GX5079700	CAPSCRW,HX,1/2-13X1-1/4,18-8SS HX HD	4
18	GX5077400	CAPSCRW,SH,1/2-13X1-3/4,BLK OX SCKT HD	4
21	GX5099300	O-RING,1-3/8X1-1/2X1/16,BUNA SLEEVE	1
	GX5099301	<i>O-RING,T1 T21,1-5/8,EPDM,SLV (1-3/8 X 1-1/2 X 1/16)</i>	1
	GX5099302	<i>O-RING,33/43,VIT,FDA COMPL DCH3</i>	1
23	DX8303147	STUFFING BOX,6X6,2205 ZCH2	1
24	GX8204141	GASKET,66,STUFF BX ZCH2	1
26	GX5079700	CAPSCRW,HX,1/2-13X1-1/4,18-8SS HX HD	8



Ref #	Component
1	Casing
2	Cover
3	Impeller
4	Adapter
5	Wear Ring (Casing)
6	Shaft Sleeve
7	Impeller Screw
8	Slinger
9	Gasket, Casing
10	Gasket, Impeller Screw
11	O-Ring, Shaft Sleeve
12	Splashplate
13	Key, Impeller
14	Seal Kit
17	Capscrew (Motor/Adapter)
18	Capscrew (Cover/Adapter)
21*	O-Ring, Shaft Sleeve
22**	Wear Ring (Cover)
23	Stuffing Box
24	Gasket, Stuffing Box
26	Capscrew (Casing/Cover)
27	Capscrew (Cover/Stuffing Box)

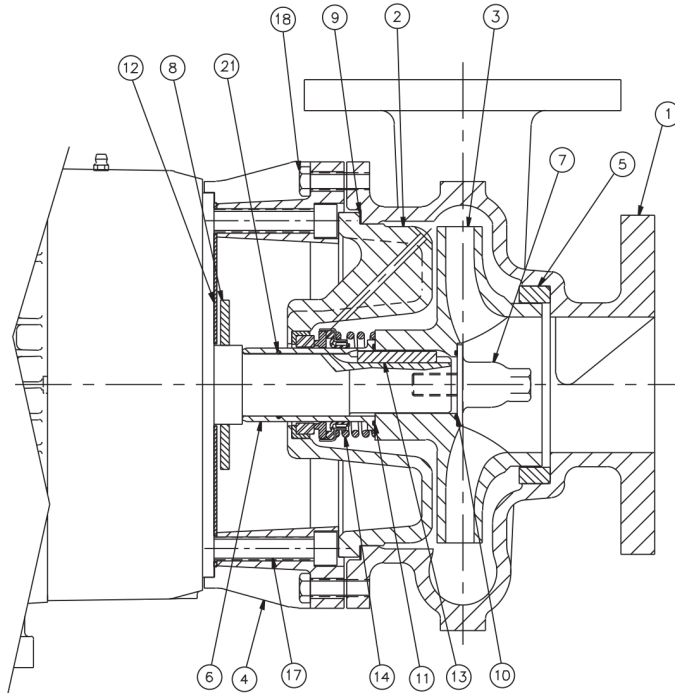
\* ZCH2 Only

\*\* Not Required for 1-1/2 x 1-1/2 Models

**Exploded View**

*Optional Items Shown in ITALICS*

Ref #	Component Item No.	Description	Qty Per
1	DV8402027	CASING,6X6 ZCH2	1
2	DC8402077	COVER,6X6,2205 ZCH2	1
3	DI8303127	IMPELLER,6X6,2205 ZCH2	1
4	GX8402101	ADAPTER,280 JP,6X6 ZCH2	1
6	DX8204137	SLEEVE,SHFT,6X6,2205 ZCH2	1
7	DI8102727	SCREW,22/43/66/325,IMP,2205 ZCH2	1
9	GX8204151	GASKET,12-7/16X10-5/16X1/32 N-8090	1
10	GX5099300	O-RING,1-3/8X1-1/2X1/16,BUNA SLEEVE	1
	<i>GX5099301</i>	<i>O-RING,T1 T21,1-5/8,EPDM,SLV (1-3/8 X 1-1/2 X 1/16)</i>	<i>1</i>
	<i>GX5099302</i>	<i>O-RING,33/43,VIT,FDA COMPL DCH3</i>	<i>1</i>
11	GX5041600	GASKET,1-1/4X1-3/4X1/321/4 KEYSLOT,SLV/IMP	1
13	GX5051200	KEY,IMPLR/SLV,2.OX.25X.25 304-SS	1
14	GS8107490	KIT,1-5/8,T21,CE/CA/BU ZCH2 66	1
	<i>GS8107490-316SS</i>	<i>KIT,1-5/8,T21,CE/CA/BU,316SS MET</i>	<i>1</i>
	<i>GS8107500</i>	<i>KIT,1-5/8,T21,CE/CA/VI ZCH2 66</i>	<i>1</i>
17	GX5076700	CAPSCRW,HX,5/8-11X1-1/2,18-8SS HX HD	4
18	GX5077400	CAPSCRW,SH,1/2-13X1-3/4,BLK OX SCKT HD	4
21	GX5099300	O-RING,1-3/8X1-1/2X1/16,BUNA SLEEVE	1
	<i>GX5099301</i>	<i>O-RING,T1 T21,1-5/8,EPDM,SLV (1-3/8 X 1-1/2 X 1/16)</i>	<i>1</i>
	<i>GX5099302</i>	<i>O-RING,33/43,VIT,FDA COMPL DCH3</i>	<i>1</i>
23	DX8303147	STUFFING BOX,6X6,2205 ZCH2	1
24	GX8204141	GASKET,66,STUFF BX ZCH2	1
26	GX5079700	CAPSCRW,HX,1/2-13X1-1/4,18-8SS HX HD	8



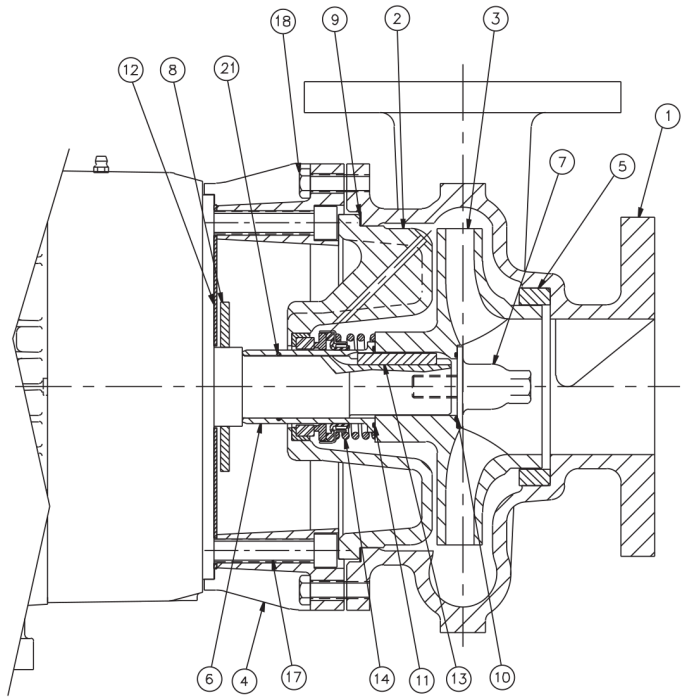
Ref #	Component
1	Casing
2	Cover
3	Impeller
4	Adapter
5	Wear Ring (Casing)
6	Shaft Sleeve
7	Impeller Screw
8	Slinger
9	Gasket, Casing
10	Gasket, Impeller Screw
11	O-Ring, Shaft Sleeve
12	Splashplate
13	Key, Impeller
14	Seal Kit
17	Capscrew (Motor/Adapter)
18	Capscrew (Casing/Adapter)
21*	O-Ring, Shaft Sleeve
22**	Wear Ring (Cover)

\* ZCH2 Only  
\*\* ZC2/ZCH2 4 x 3 Only

**Exploded View**

*Optional Items Shown in ITALICS*

Ref #	Component Item No.	Description	Qty Per
1	SV8400744	CASING,1-1/2X1-1/4,SS ZC2	1
2	SC8302471	COVER,2-1/2X2,SS DC2	1
3	SI8201391	IMPELLER,1-1/2X1-1/4,SS ZC2	1
4	GX8400951	ADAPTER,100 JM FRAME ZC2	1
	<i>SX8400952</i>	<i>ADAPTER,100 JM FRAME,SS ZC2</i>	1
5	SW8100123	RING,WEAR,1-1/2 SUCTION,SS ZC 1-1/2X1-1/4	1
6	SX8103721	SLEEVE,SHFT,SS ZC2	1
7	SI8107270	SCREW,IMP,SS DC2 EC2 KC2 MC3 ZC2	1
8	GX5042301	SLINGER,1-7/32X3-1/4X5/32 80 DUR (180JM-210JM)	1
	<i>GX5042300</i>	<i>SLINGER,1-1/8X3-1/4X5/32 80 DUR (140JM)</i>	1
9	GX5041000	GASKET,6-5/8X7-5/32X1/32 ,N-8090	1
10	GX5040500	GASKET,IMP SCRW,7/8X1-3/8X1/32	1
11	GX5098300	O-RING,T21,1-1/4,BUNA,SLV	1
	<i>GX5098301</i>	<i>O-RING,T21,1-1/4,EPDM,SLV (1-1/4 X 1-3/8 X 1/16)</i>	1
	<i>GX5098302</i>	<i>O-RING,43/252/325,VIT DC3</i>	1
12	GX5091600	SPLASHPLATE,EC2 KC2 RC2 ZC2,SS FR143-184	1
13	GX5051300	KEY,IMP, .187SQX1.5 EC KC RC ZC	1
14	GS8103410	KIT,1-1/4,T21,CE/CA/BU ZC2	1
	<i>GS8103410-316SS</i>	<i>KIT,1-1/4,T21,CE/CA/BU,316SS MET ZC2</i>	1
	<i>GS8105960</i>	<i>KIT,1-1/4,T21,CE/CA/VI ZC2</i>	1
	<i>GS8105960-316SS</i>	<i>KIT,1-1/4,T21,CE/CA/VI,316SS MET ZC2</i>	1
	<i>GS8106590</i>	<i>KIT,1-1/4,T21,NI/CA/BU ZC2</i>	1
	<i>GS8106590-316SS</i>	<i>KIT,1-1/4,T21,NI/CA/BU,316SS MET ZC2</i>	1
	<i>GS8106620</i>	<i>KIT,1-1/4,T21,CE/CA/EP ZC2</i>	1
	<i>GS8106620-316SS</i>	<i>KIT,1-1/4,T21,CE/CA/EP,316SS MET ZC2</i>	1
	<i>GS8106610</i>	<i>KIT,1-1/4,T21,TC/CA/VI ZC2 1512,215,252,325,43</i>	1
	<i>GS8107830</i>	<i>KIT,1-1/4,T21,SC/CA/VI ZC2</i>	1



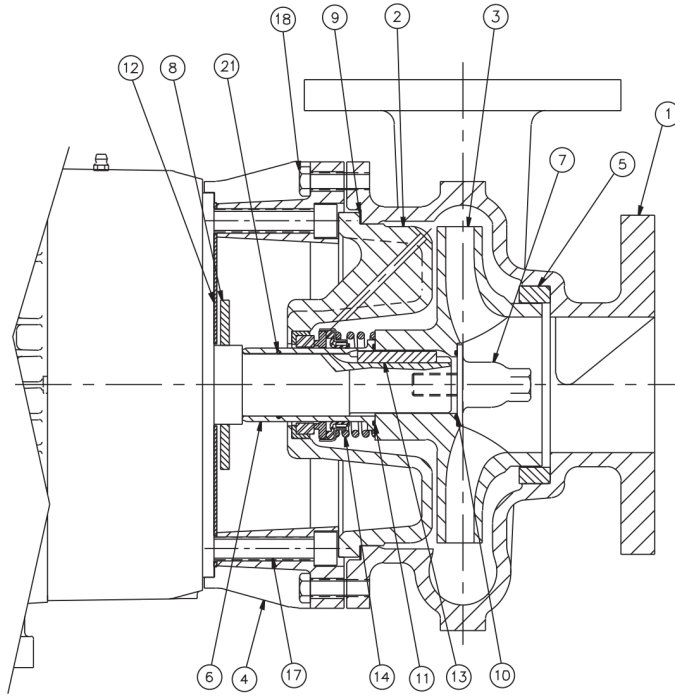
Ref #	Component
1	Casing
2	Cover
3	Impeller
4	Adapter
5	Wear Ring (Casing)
6	Shaft Sleeve
7	Impeller Screw
8	Slinger
9	Gasket, Casing
10	Gasket, Impeller Screw
11	O-Ring, Shaft Sleeve
12	Splashplate
13	Key, Impeller
14	Seal Kit
17	Capscrew (Motor/Adapter)
18	Capscrew (Casing/Adapter)
21*	O-Ring, Shaft Sleeve
22**	Wear Ring (Cover)

\* ZCH2 Only  
\*\* ZC2/ZCH2 4 x 3 Only

**Exploded View**

*Optional Items Shown in ITALICS*

Ref #	Component Item No.	Description	Qty Per
14	<i>GS8111170-316SS</i>	<i>KIT, 1-1/4, T21, TC/SC/BU, 316SS MET ZC2 1512, 215, 252, 325, 43</i>	1
17	<b>GX5077100</b>	<b>CAPSCRW, HX, 3/8-16X1, 18-8SS HX HD</b>	4
18	<b>GX5077100</b>	<b>CAPSCRW, HX, 3/8-16X1, 18-8SS HX HD</b>	8



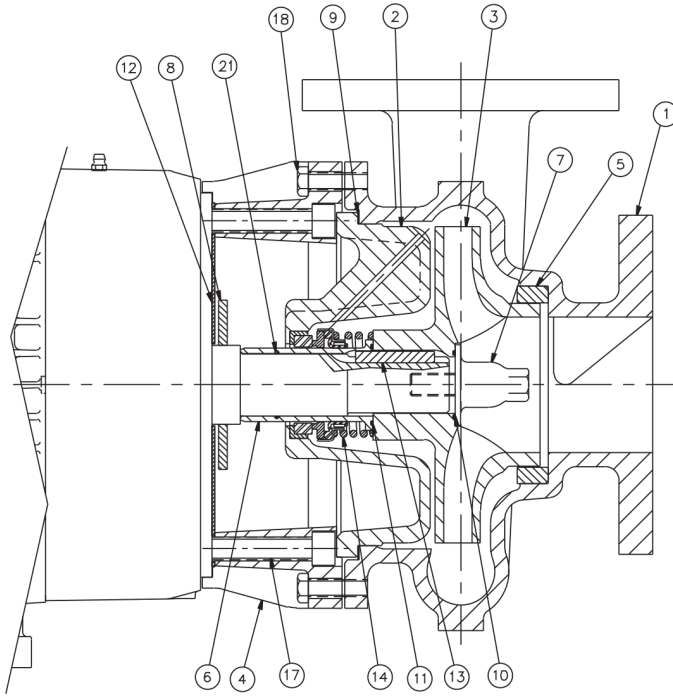
Ref #	Component
1	Casing
2	Cover
3	Impeller
4	Adapter
5	Wear Ring (Casing)
6	Shaft Sleeve
7	Impeller Screw
8	Slinger
9	Gasket, Casing
10	Gasket, Impeller Screw
11	O-Ring, Shaft Sleeve
12	Splashplate
13	Key, Impeller
14	Seal Kit
17	Capscrew (Motor/Adapter)
18	Capscrew (Casing/Adapter)
21*	O-Ring, Shaft Sleeve
22**	Wear Ring (Cover)

\* ZCH2 Only  
\*\* ZC2/ZCH2 4 x 3 Only

**Exploded View**

*Optional Items Shown in ITALICS*

Ref #	Component Item No.	Description	Qty Per
1	SV8400744	CASING,1-1/2X1-1/4,SS ZC2	1
2	SC8302471	COVER,2-1/2X2,SS DC2	1
3	SI8201391	IMPELLER,1-1/2X1-1/4,SS ZC2	1
4	GX8301391	ADAPTER,210 JM FRAME ZC2	1
	<i>SX8301392</i>	<i>ADAPTER,210 JM FRAME,SS ZC2</i>	1
5	SW8100123	RING,WEAR,1-1/2 SUCTION,SS ZC 1-1/2X1-1/4	1
6	SX8103721	SLEEVE,SHFT,SS ZC2	1
7	SI8107270	SCREW,IMP,SS DC2 EC2 KC2 MC3 ZC2	1
8	GX5042301	SLINGER,1-7/32X3-1/4X5/32 80 DUR (180JM-210JM)	1
9	GX5041000	GASKET,6-5/8X7-5/32X1/32 ,N-8090	1
10	GX5040500	GASKET,IMP SCRW,7/8X1-3/8X1/32	1
11	GX5098300	O-RING,T21,1-1/4,BUNA,SLV	1
	<i>GX5098301</i>	<i>O-RING,T21,1-1/4,EPDM,SLV (1-1/4 X 1-3/8 X 1/16)</i>	1
	<i>GX5098302</i>	<i>O-RING,43/252/325,VIT DC3</i>	1
12	GX5091400	SPLASHPLATE,EC2 KC2 RC2 ZC2,SS FR213-256	1
13	GX5051300	KEY,IMP,.187SQX1.5 EC KC RC ZC	1
14	GS8103410	KIT,1-1/4,T21,CE/CA/BU ZC2	1
	<i>GS8103410-316SS</i>	<i>KIT,1-1/4,T21,CE/CA/BU,316SS MET ZC2</i>	1
	<i>GS8105960</i>	<i>KIT,1-1/4,T21,CE/CA/VI ZC2</i>	1
	<i>GS8105960-316SS</i>	<i>KIT,1-1/4,T21,CE/CA/VI,316SS MET ZC2</i>	1
	<i>GS8106590</i>	<i>KIT,1-1/4,T21,NI/CA/BU ZC2</i>	1
	<i>GS8106590-316SS</i>	<i>KIT,1-1/4,T21,NI/CA/BU,316SS MET ZC2</i>	1
	<i>GS8106620</i>	<i>KIT,1-1/4,T21,CE/CA/EP ZC2</i>	1
	<i>GS8106620-316SS</i>	<i>KIT,1-1/4,T21,CE/CA/EP,316SS MET ZC2</i>	1
	<i>GS8106610</i>	<i>KIT,1-1/4,T21,TC/CA/VI ZC2 1512,215,252,325,43</i>	1
	<i>GS8107830</i>	<i>KIT,1-1/4,T21,SC/CA/VI ZC2</i>	1
	<i>GS8111170-316SS</i>	<i>KIT,1-1/4,T21,TC/SC/BU,316SS MET ZC2 1512,215,252,325,43</i>	1



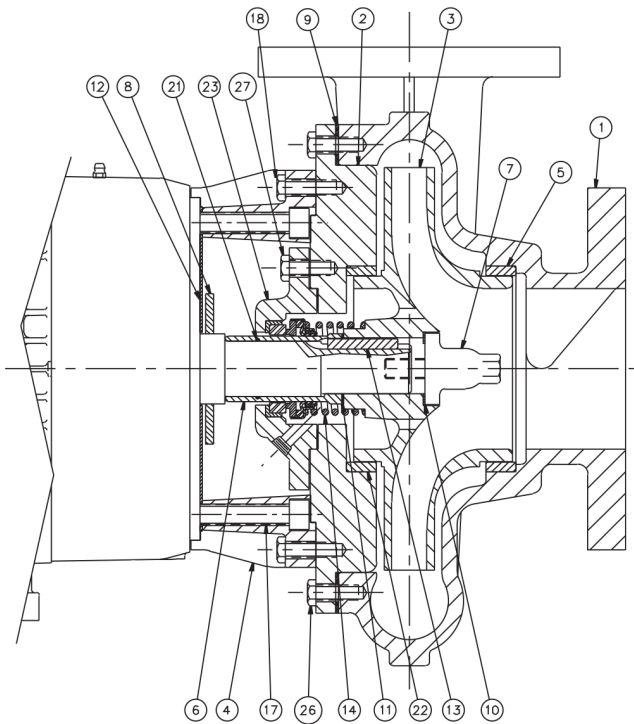
Ref #	Component
1	Casing
2	Cover
3	Impeller
4	Adapter
5	Wear Ring (Casing)
6	Shaft Sleeve
7	Impeller Screw
8	Slinger
9	Gasket, Casing
10	Gasket, Impeller Screw
11	O-Ring, Shaft Sleeve
12	Splashplate
13	Key, Impeller
14	Seal Kit
17	Capscrew (Motor/Adapter)
18	Capscrew (Casing/Adapter)
21*	O-Ring, Shaft Sleeve
22**	Wear Ring (Cover)

\* ZCH2 Only  
\*\* ZC2/ZCH2 4 x 3 Only

**Exploded View**

*Optional Items Shown in ITALICS*

Ref #	Component Item No.	Description	Qty Per
17	<b>GX5077400</b>	<b>CAPSCRW,SH,1/2-13X1-3/4,BLK OX SCKT HD</b>	<b>4</b>
18	<b>GX5077100</b>	<b>CAPSCRW,HX,3/8-16X1,18-8SS HX HD</b>	<b>4</b>
	<b>GX5077200</b>	<b>CAPSCRW,HX,3/8-16X1-1/4,18-8SS HX HD</b>	<b>4</b>



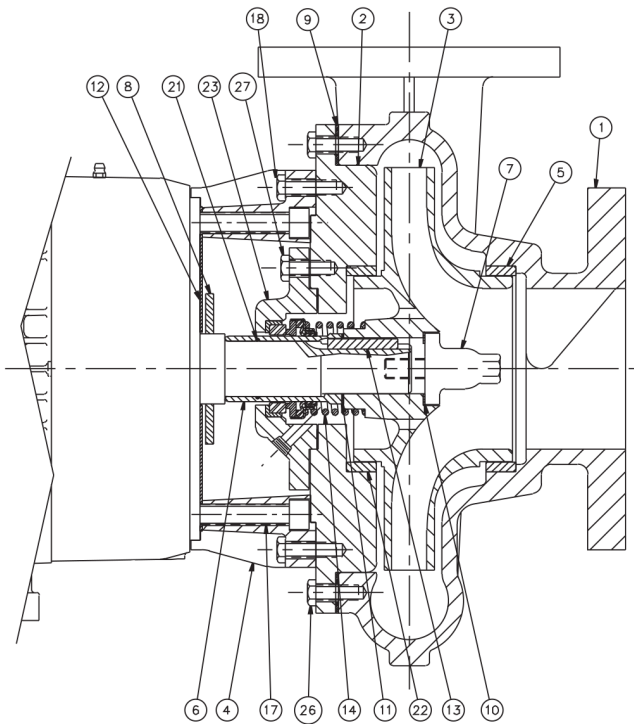
Ref #	Component
1	Casing
2	Cover
3	Impeller
4	Adapter
5	Wear Ring (Casing)
6	Shaft Sleeve
7	Impeller Screw
8	Slinger
9	Gasket, Casing
10	Gasket, Impeller Screw
11	O-Ring, Shaft Sleeve
12	Splashplate
13	Key, Impeller
14	Seal Kit
17	Capscrew (Motor/Adapter)
18	Capscrew (Cover/Adapter)
21*	O-Ring, Shaft Sleeve
22**	Wear Ring (Cover)
23	Stuffing Box
24	Gasket, Stuffing Box
26	Capscrew (Casing/Cover)
27	Capscrew (Cover/Stuffing Box)

\* ZCH2 Only  
\*\* Not Required for 1-1/2 x 1-1/2 Models

**Exploded View**

*Optional Items Shown in ITALICS*

Ref #	Component Item No.	Description	Qty Per
1	SV8402452	CASING,1-1/2X1-1/2,SS ZC2	1
2	SC8402182	COVER,1-1/2X1-1/2,SS,JM ZC2	1
3	SI8303882	IMPELLER,1-1/2X1-1/2,SS ZC2	1
4	GX8400951	ADAPTER,100 JM FRAME ZC2	1
	<i>SX8400952</i>	<i>ADAPTER,100 JM FRAME,SS ZC2</i>	<i>1</i>
5	SW8101562	RING,WEAR,1-1/2X1-1/2,SS ZC2 ZCH2 1-1/2X1-1/2	1
6	SX8107752	SLEEVE,SHFT,4X3L,SS ZC2	1
7	SI8107270	SCREW,IMP,SS DC2 EC2 KC2 MC3 ZC2	1
8	GX5042301	SLINGER,1-7/32X3-1/4X5/32 80 DUR (180JM-210JM)	1
9	GX5041300	GASKET,9-1/4 X 10 X1/16,N-8090	1
10	GX5040500	GASKET,IMP SCRW,7/8X1-3/8X1/32	1
11	GX5040000	GASKET,7/8X1-1/2X1/32,N-8090	1
12	GX5091600	SPLASHPLATE,EC2 KC2 RC2 ZC2,SS FR143-184	1
13	GX5051300	KEY,IMP, .187SQX1.5 EC KC RC ZC	1
14	GS8108160	KIT,1-1/4,T21,CE/CA/BU ZC2	1
	<i>GS8108160-316SS</i>	<i>KIT,1-1/4,T21,CE/CA/BU,316SS MET ZC2</i>	<i>1</i>
	<i>GS8108170</i>	<i>KIT,1-1/4,T21,CE/CA/VI ZC2</i>	<i>1</i>
	<i>GS8108170-316SS</i>	<i>KIT,1-1/4,T21,CE/CA/VI,316SS MET ZC2</i>	<i>1</i>
17	GX5077100	CAPSCRW,HX,3/8-16X1,18-8SS HX HD	4
18	GX5077100	CAPSCRW,HX,3/8-16X1,18-8SS HX HD	8
23	SX8204302	STUFFING BOX,SS,JM,SGL SEAL ZC2	1
24	GX5041900	GASKET,4X3X1/32,N-8090,STFBX STUFFING BOX	1
26	GX5077100	CAPSCRW,HX,3/8-16X1,18-8SS HX HD	8
27	GX5077100	CAPSCRW,HX,3/8-16X1,18-8SS HX HD	4



Ref #	Component
1	Casing
2	Cover
3	Impeller
4	Adapter
5	Wear Ring (Casing)
6	Shaft Sleeve
7	Impeller Screw
8	Slinger
9	Gasket, Casing
10	Gasket, Impeller Screw
11	O-Ring, Shaft Sleeve
12	Splashplate
13	Key, Impeller
14	Seal Kit
17	Capscrew (Motor/Adapter)
18	Capscrew (Cover/Adapter)
21*	O-Ring, Shaft Sleeve
22**	Wear Ring (Cover)
23	Stuffing Box
24	Gasket, Stuffing Box
26	Capscrew (Casing/Cover)
27	Capscrew (Cover/Stuffing Box)

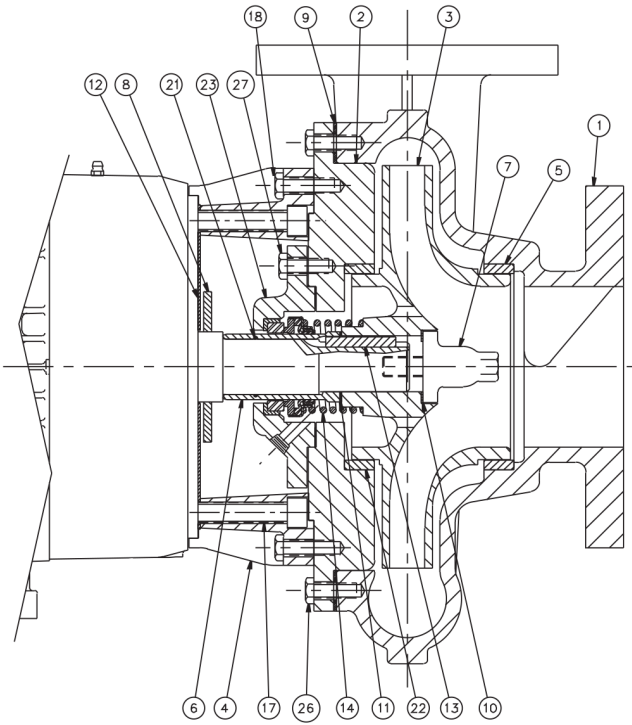
\* ZCH2 Only

\*\* Not Required for 1-1/2 x 1-1/2 Models

**Exploded View**

*Optional Items Shown in ITALICS*

Ref #	Component Item No.	Description	Qty Per
1	SV8402452	CASING,1-1/2X1-1/2,SS ZC2	1
2	SC8402182	COVER,1-1/2X1-1/2,SS,JM ZC2	1
3	SI8303882	IMPELLER,1-1/2X1-1/2,SS ZC2	1
4	GX8301391	ADAPTER,210 JM FRAME ZC2	1
	<i>SX8301392</i>	<i>ADAPTER,210 JM FRAME,SS ZC2</i>	<i>1</i>
5	SW8101562	RING,WEAR,1-1/2X1-1/2,SS ZC2 ZCH2 1-1/2X1-1/2	1
6	SX8107752	SLEEVE,SHFT,4X3L,SS ZC2	1
7	SI8107270	SCREW,IMP,SS DC2 EC2 KC2 MC3 ZC2	1
8	GX5042301	SLINGER,1-7/32X3-1/4X5/32 80 DUR (180JM-210JM)	1
9	GX5041300	GASKET,9-1/4 X 10 X1/16,N-8090	1
10	GX5040500	GASKET,IMP SCRW,7/8X1-3/8X1/32	1
11	GX5040000	GASKET,7/8X1-1/2X1/32,N-8090	1
12	GX5091400	SPLASHPLATE,EC2 KC2 RC2 ZC2,SS FR213-256	1
13	GX5051300	KEY,IMP,,187SQX1.5 EC KC RC ZC	1
14	GS8108160	KIT,1-1/4,T21,CE/CA/BU ZC2	1
	<i>GS8108160-316SS</i>	<i>KIT,1-1/4,T21,CE/CA/BU,316SS MET ZC2</i>	<i>1</i>
	<i>GS8108170</i>	<i>KIT,1-1/4,T21,CE/CA/VI ZC2</i>	<i>1</i>
	<i>GS8108170-316SS</i>	<i>KIT,1-1/4,T21,CE/CA/VI,316SS MET ZC2</i>	<i>1</i>
17	GX5077400	CAPSCRW,SH,1/2-13X1-3/4,BLK OX SCKT HD	4
18	GX5077100	CAPSCRW,HX,3/8-16X1,18-8SS HX HD	4
	GX5077200	CAPSCRW,HX,3/8-16X1-1/4,18-8SS HX HD	4
21	GX5038500	O-RING,,989X1.29X.070,BUNA 70 DUR, IMP SCRW	1
	<i>GX5038502</i>	<i>O-RING,T21,1-1/4,EPDM (2-022)</i>	<i>1</i>
	<i>GX5038501</i>	<i>O-RING,43/252/325,VIT,FDA CMPL DC3 ZC2</i>	<i>1</i>
23	SX8204302	STUFFING BOX,SS,JM,SGL SEAL ZC2	1
24	GX5041900	GASKET,4X3X1/32,N-8090,STFBX STUFFING BOX	1
26	GX5077100	CAPSCRW,HX,3/8-16X1,18-8SS HX HD	8



Ref #	Component
1	Casing
2	Cover
3	Impeller
4	Adapter
5	Wear Ring (Casing)
6	Shaft Sleeve
7	Impeller Screw
8	Slinger
9	Gasket, Casing
10	Gasket, Impeller Screw
11	O-Ring, Shaft Sleeve
12	Splashplate
13	Key, Impeller
14	Seal Kit
17	Capscrew (Motor/Adapter)
18	Capscrew (Cover/Adapter)
21*	O-Ring, Shaft Sleeve
22**	Wear Ring (Cover)
23	Stuffing Box
24	Gasket, Stuffing Box
26	Capscrew (Casing/Cover)
27	Capscrew (Cover/Stuffing Box)

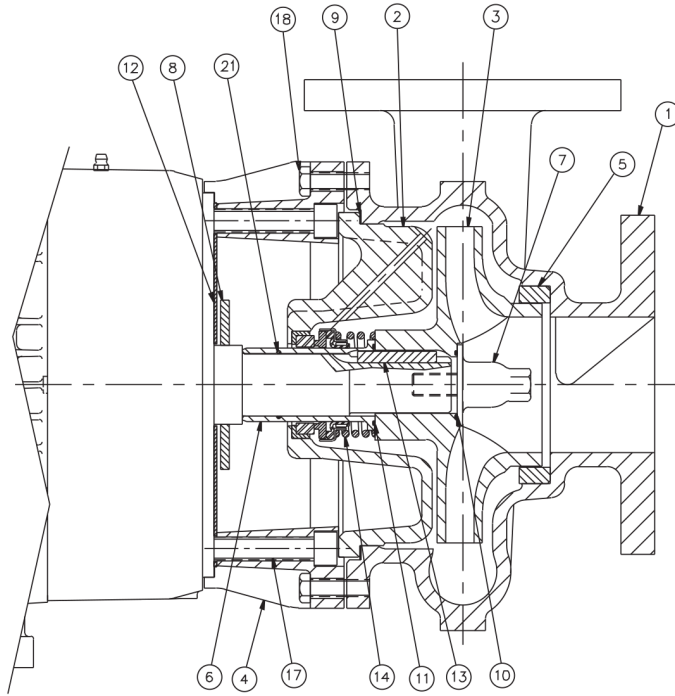
\* ZCH2 Only

\*\* Not Required for 1-1/2 x 1-1/2 Models

**Exploded View**

*Optional Items Shown in ITALICS*

Ref #	Component Item No.	Description	Qty Per
27	<i>GX5077100</i>	<i>CAPSCRW,HX,3/8-16X1,18-8SS HX HD</i>	4



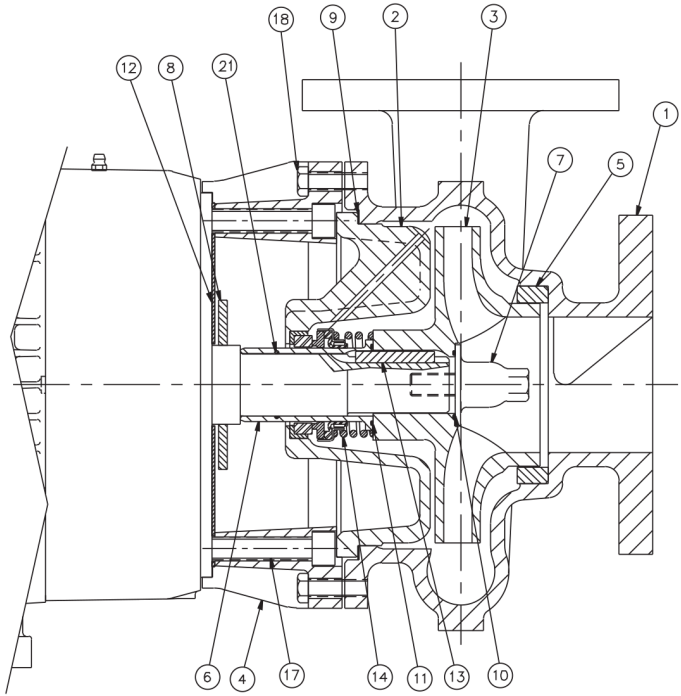
Ref #	Component
1	Casing
2	Cover
3	Impeller
4	Adapter
5	Wear Ring (Casing)
6	Shaft Sleeve
7	Impeller Screw
8	Slinger
9	Gasket, Casing
10	Gasket, Impeller Screw
11	O-Ring, Shaft Sleeve
12	Splashplate
13	Key, Impeller
14	Seal Kit
17	Capscrew (Motor/Adapter)
18	Capscrew (Casing/Adapter)
21*	O-Ring, Shaft Sleeve
22**	Wear Ring (Cover)

\* ZCH2 Only  
\*\* ZC2/ZCH2 4 x 3 Only

**Exploded View**

*Optional Items Shown in ITALICS*

Ref #	Component Item No.	Description	Qty Per
1	SV8400755	CASING,2X1-1/2,SS ZC2	1
2	SC8302471	COVER,2-1/2X2,SS DC2	1
3	SI8201441	IMPELLER,2X1-1/2,SS ZC2	1
4	GX8400951	ADAPTER,100 JM FRAME ZC2	1
	<i>SX8400952</i>	<i>ADAPTER,100 JM FRAME,SS ZC2</i>	1
5	SW8100115	RING,WEAR,2 SUCTION,SS ZC2 ZCH2 2X2	1
6	SX8103721	SLEEVE,SHFT,SS ZC2	1
7	SI8107270	SCREW,IMP,SS DC2 EC2 KC2 MC3 ZC2	1
8	GX5042301	SLINGER,1-7/32X3-1/4X5/32 80 DUR (180JM-210JM)	1
	<i>GX5042300</i>	<i>SLINGER,1-1/8X3-1/4X5/32 80 DUR (140JM)</i>	1
9	GX5041000	GASKET,6-5/8X7-5/32X1/32 ,N-8090	1
10	GX5040500	GASKET,IMP SCRW,7/8X1-3/8X1/32	1
11	GX5098300	O-RING,T21,1-1/4,BUNA,SLV	1
	<i>GX5098301</i>	<i>O-RING,T21,1-1/4,EPDM,SLV (1-1/4 X 1-3/8 X 1/16)</i>	1
	<i>GX5098302</i>	<i>O-RING,43/252/325,VIT DC3</i>	1
12	GX5091600	SPLASHPLATE,EC2 KC2 RC2 ZC2,SS FR143-184	1
13	GX5051300	KEY,IMP, .187SQX1.5 EC KC RC ZC	1
14	GS8103410	KIT,1-1/4,T21,CE/CA/BU ZC2	1
	<i>GS8103410-316SS</i>	<i>KIT,1-1/4,T21,CE/CA/BU,316SS MET ZC2</i>	1
	<i>GS8105960</i>	<i>KIT,1-1/4,T21,CE/CA/VI ZC2</i>	1
	<i>GS8105960-316SS</i>	<i>KIT,1-1/4,T21,CE/CA/VI,316SS MET ZC2</i>	1
	<i>GS8106590</i>	<i>KIT,1-1/4,T21,NI/CA/BU ZC2</i>	1
	<i>GS8106590-316SS</i>	<i>KIT,1-1/4,T21,NI/CA/BU,316SS MET ZC2</i>	1
	<i>GS8106620</i>	<i>KIT,1-1/4,T21,CE/CA/EP ZC2</i>	1
	<i>GS8106620-316SS</i>	<i>KIT,1-1/4,T21,CE/CA/EP,316SS MET ZC2</i>	1
	<i>GS8106610</i>	<i>KIT,1-1/4,T21,TC/CA/VI ZC2 1512,215,252,325,43</i>	1
	<i>GS8107830</i>	<i>KIT,1-1/4,T21,SC/CA/VI ZC2</i>	1



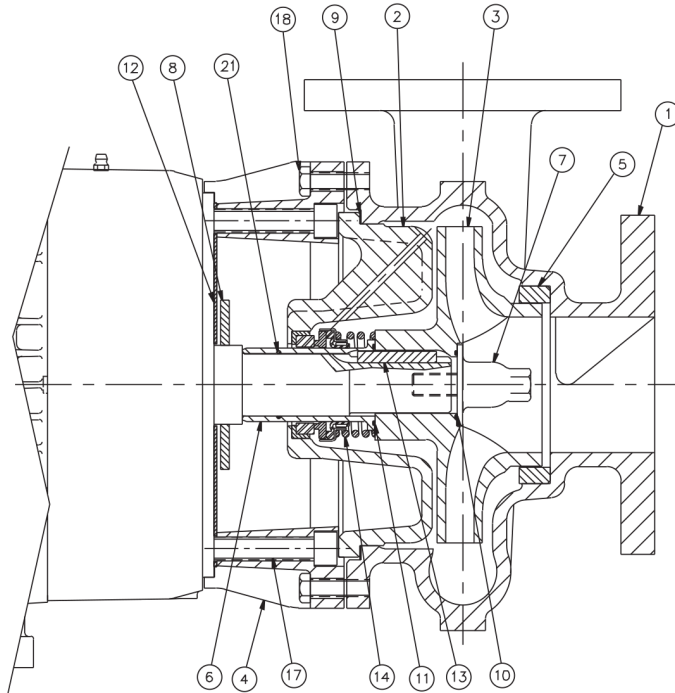
Ref #	Component
1	Casing
2	Cover
3	Impeller
4	Adapter
5	Wear Ring (Casing)
6	Shaft Sleeve
7	Impeller Screw
8	Slinger
9	Gasket, Casing
10	Gasket, Impeller Screw
11	O-Ring, Shaft Sleeve
12	Splashplate
13	Key, Impeller
14	Seal Kit
17	Capscrew (Motor/Adapter)
18	Capscrew (Casing/Adapter)
21*	O-Ring, Shaft Sleeve
22**	Wear Ring (Cover)

\* ZCH2 Only  
\*\* ZC2/ZCH2 4 x 3 Only

**Exploded View**

*Optional Items Shown in ITALICS*

Ref #	Component Item No.	Description	Qty Per
14	<i>GS8111170-316SS</i>	<i>KIT, 1-1/4, T21, TC/SC/BU, 316SS MET ZC2 1512, 215, 252, 325, 43</i>	1
17	<b>GX5077100</b>	<b>CAPSCRW, HX, 3/8-16X1, 18-8SS HX HD</b>	4
18	<b>GX5077100</b>	<b>CAPSCRW, HX, 3/8-16X1, 18-8SS HX HD</b>	8



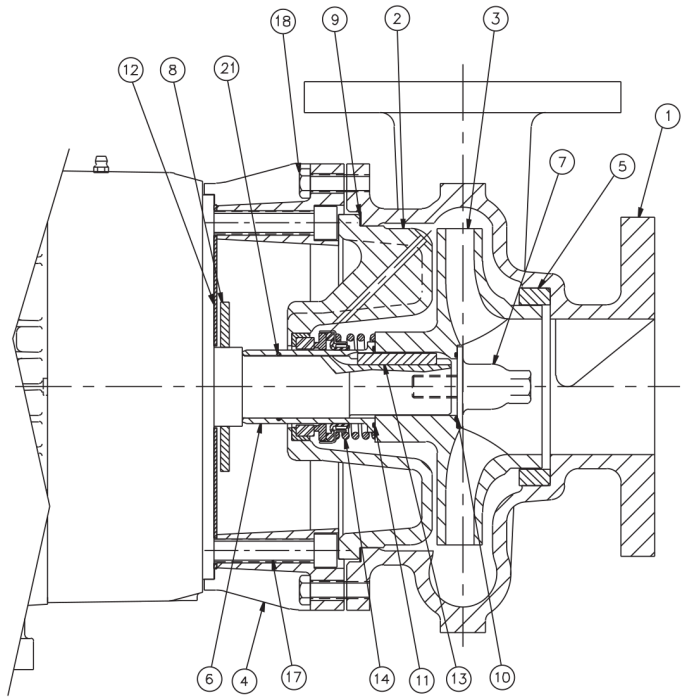
Ref #	Component
1	Casing
2	Cover
3	Impeller
4	Adapter
5	Wear Ring (Casing)
6	Shaft Sleeve
7	Impeller Screw
8	Slinger
9	Gasket, Casing
10	Gasket, Impeller Screw
11	O-Ring, Shaft Sleeve
12	Splashplate
13	Key, Impeller
14	Seal Kit
17	Capscrew (Motor/Adapter)
18	Capscrew (Casing/Adapter)
21*	O-Ring, Shaft Sleeve
22**	Wear Ring (Cover)

\* ZCH2 Only  
\*\* ZC2/ZCH2 4 x 3 Only

**Exploded View**

*Optional Items Shown in ITALICS*

Ref #	Component Item No.	Description	Qty Per
1	SV8400755	CASING,2X1-1/2,SS ZC2	1
2	SC8302471	COVER,2-1/2X2,SS DC2	1
3	SI8201441	IMPELLER,2X1-1/2,SS ZC2	1
4	GX8301391	ADAPTER,210 JM FRAME ZC2	1
	<i>SX8301392</i>	<i>ADAPTER,210 JM FRAME,SS ZC2</i>	<i>1</i>
5	SW8100115	RING,WEAR,2 SUCTION,SS ZC2 ZCH2 2X2	1
6	SX8103721	SLEEVE,SHFT,SS ZC2	1
7	SI8107270	SCREW,IMP,SS DC2 EC2 KC2 MC3 ZC2	1
8	GX5042301	SLINGER,1-7/32X3-1/4X5/32 80 DUR (180JM-210JM)	1
9	GX5041000	GASKET,6-5/8X7-5/32X1/32 ,N-8090	1
10	GX5040500	GASKET,IMP SCRW,7/8X1-3/8X1/32	1
11	GX5098300	O-RING,T21,1-1/4,BUNA,SLV	1
	<i>GX5098301</i>	<i>O-RING,T21,1-1/4,EPDM,SLV (1-1/4 X 1-3/8 X 1/16)</i>	<i>1</i>
	<i>GX5098302</i>	<i>O-RING,43/252/325,VIT DC3</i>	<i>1</i>
12	GX5091400	SPLASHPLATE,EC2 KC2 RC2 ZC2,SS FR213-256	1
13	GX5051300	KEY,IMP, .187SQX1.5 EC KC RC ZC	1
14	GS8103410	KIT,1-1/4,T21,CE/CA/BU ZC2	1
	<i>GS8103410-316SS</i>	<i>KIT,1-1/4,T21,CE/CA/BU,316SS MET ZC2</i>	<i>1</i>
	<i>GS8105960</i>	<i>KIT,1-1/4,T21,CE/CA/VI ZC2</i>	<i>1</i>
	<i>GS8105960-316SS</i>	<i>KIT,1-1/4,T21,CE/CA/VI,316SS MET ZC2</i>	<i>1</i>
	<i>GS8106590</i>	<i>KIT,1-1/4,T21,NI/CA/BU ZC2</i>	<i>1</i>
	<i>GS8106590-316SS</i>	<i>KIT,1-1/4,T21,NI/CA/BU,316SS MET ZC2</i>	<i>1</i>
	<i>GS8106620</i>	<i>KIT,1-1/4,T21,CE/CA/EP ZC2</i>	<i>1</i>
	<i>GS8106620-316SS</i>	<i>KIT,1-1/4,T21,CE/CA/EP,316SS MET ZC2</i>	<i>1</i>
	<i>GS8106610</i>	<i>KIT,1-1/4,T21,TC/CA/VI ZC2 1512,215,252,325,43</i>	<i>1</i>
	<i>GS8107830</i>	<i>KIT,1-1/4,T21,SC/CA/VI ZC2</i>	<i>1</i>
	<i>GS8111170-316SS</i>	<i>KIT,1-1/4,T21,TC/SC/BU,316SS MET ZC2 1512,215,252,325,43</i>	<i>1</i>



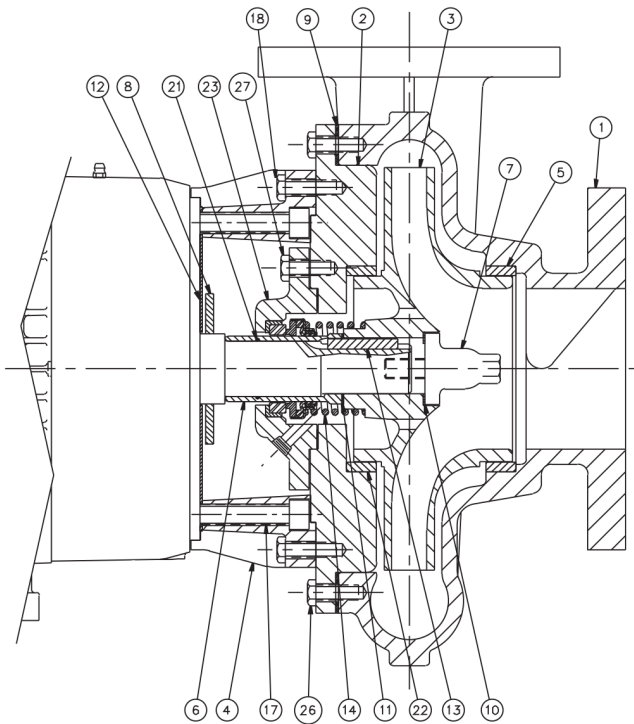
Ref #	Component
1	Casing
2	Cover
3	Impeller
4	Adapter
5	Wear Ring (Casing)
6	Shaft Sleeve
7	Impeller Screw
8	Slinger
9	Gasket, Casing
10	Gasket, Impeller Screw
11	O-Ring, Shaft Sleeve
12	Splashplate
13	Key, Impeller
14	Seal Kit
17	Capscrew (Motor/Adapter)
18	Capscrew (Casing/Adapter)
21*	O-Ring, Shaft Sleeve
22**	Wear Ring (Cover)

\* ZCH2 Only  
\*\* ZC2/ZCH2 4 x 3 Only

**Exploded View**

*Optional Items Shown in ITALICS*

Ref #	Component Item No.	Description	Qty Per
17	GX5077400	CAPSCRW,SH,1/2-13X1-3/4,BLK OX SCKT HD	4
18	GX5077100	CAPSCRW,HX,3/8-16X1,18-8SS HX HD	4
	GX5077200	CAPSCRW,HX,3/8-16X1-1/4,18-8SS HX HD	4



Ref #	Component
1	Casing
2	Cover
3	Impeller
4	Adapter
5	Wear Ring (Casing)
6	Shaft Sleeve
7	Impeller Screw
8	Slinger
9	Gasket, Casing
10	Gasket, Impeller Screw
11	O-Ring, Shaft Sleeve
12	Splashplate
13	Key, Impeller
14	Seal Kit
17	Capscrew (Motor/Adapter)
18	Capscrew (Cover/Adapter)
21*	O-Ring, Shaft Sleeve
22**	Wear Ring (Cover)
23	Stuffing Box
24	Gasket, Stuffing Box
26	Capscrew (Casing/Cover)
27	Capscrew (Cover/Stuffing Box)

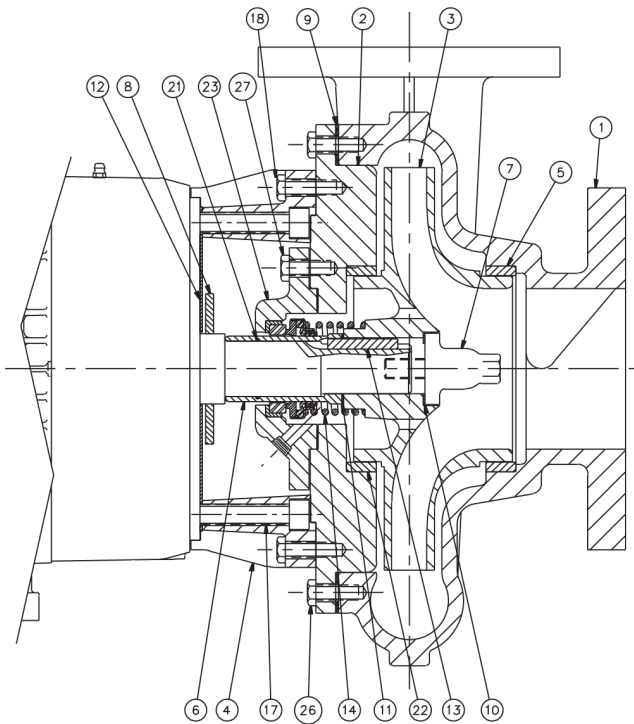
\* ZCH2 Only

\*\* Not Required for 1-1/2 x 1-1/2 Models

**Exploded View**

*Optional Items Shown in ITALICS*

Ref #	Component Item No.	Description	Qty Per
1	SV8402162	CASING,2X2,SS ZC2	1
2	SC8402182	COVER,1-1/2X1-1/2,SS,JM ZC2	1
3	SI8303752	IMPELLER,2X2,SS,T21 ZC2	1
4	GX8400951	ADAPTER,100 JM FRAME ZC2	1
	<i>SX8400952</i>	<i>ADAPTER,100 JM FRAME,SS ZC2</i>	<i>1</i>
5	SW8100115	RING,WEAR,2 SUCTION,SS ZC2 ZCH2 2X2	1
6	SX8107752	SLEEVE,SHFT,4X3L,SS ZC2	1
7	SI8107270	SCREW,IMP,SS DC2 EC2 KC2 MC3 ZC2	1
8	GX5042301	SLINGER,1-7/32X3-1/4X5/32 80 DUR (180JM-210JM)	1
9	GX5041300	GASKET,9-1/4 X 10 X1/16,N-8090	1
10	GX5040500	GASKET,IMP SCRW,7/8X1-3/8X1/32	1
11	GX5040000	GASKET,7/8X1-1/2X1/32,N-8090	1
12	GX5091600	SPLASHPLATE,EC2 KC2 RC2 ZC2,SS FR143-184	1
13	GX5051300	KEY,IMP, .187SQX1.5 EC KC RC ZC	1
14	GS8108160	KIT,1-1/4,T21,CE/CA/BU ZC2	1
	<i>GS8108160-316SS</i>	<i>KIT,1-1/4,T21,CE/CA/BU,316SS MET ZC2</i>	<i>1</i>
	<i>GS8108170</i>	<i>KIT,1-1/4,T21,CE/CA/VI ZC2</i>	<i>1</i>
	<i>GS8108170-316SS</i>	<i>KIT,1-1/4,T21,CE/CA/VI,316SS MET ZC2</i>	<i>1</i>
17	GX5077100	CAPSCRW,HX,3/8-16X1,18-8SS HX HD	4
18	GX5077100	CAPSCRW,HX,3/8-16X1,18-8SS HX HD	8
22	SW8100115	RING,WEAR,2 SUCTION,SS ZC2 ZCH2 2X2	1
23	SX8204302	STUFFING BOX,SS,JM,SGL SEAL ZC2	1
24	GX5041900	GASKET,4X3X1/32,N-8090,STFBX STUFFING BOX	1
26	GX5077100	CAPSCRW,HX,3/8-16X1,18-8SS HX HD	8
27	GX5077100	CAPSCRW,HX,3/8-16X1,18-8SS HX HD	4



Ref #	Component
1	Casing
2	Cover
3	Impeller
4	Adapter
5	Wear Ring (Casing)
6	Shaft Sleeve
7	Impeller Screw
8	Slinger
9	Gasket, Casing
10	Gasket, Impeller Screw
11	O-Ring, Shaft Sleeve
12	Splashplate
13	Key, Impeller
14	Seal Kit
17	Capscrew (Motor/Adapter)
18	Capscrew (Cover/Adapter)
21*	O-Ring, Shaft Sleeve
22**	Wear Ring (Cover)
23	Stuffing Box
24	Gasket, Stuffing Box
26	Capscrew (Casing/Cover)
27	Capscrew (Cover/Stuffing Box)

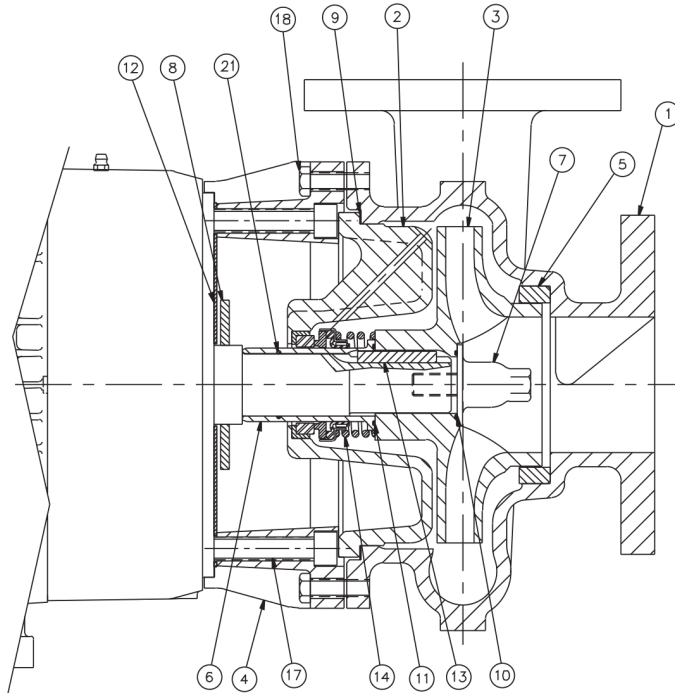
\* ZCH2 Only

\*\* Not Required for 1-1/2 x 1-1/2 Models

**Exploded View**

*Optional Items Shown in ITALICS*

Ref #	Component Item No.	Description	Qty Per
1	SV8402162	CASING,2X2,SS ZC2	1
2	SC8402182	COVER,1-1/2X1-1/2,SS,JM ZC2	1
3	SI8303752	IMPELLER,2X2,SS,T21 ZC2	1
4	GX8301391	ADAPTER,210 JM FRAME ZC2	1
	<i>SX8301392</i>	<i>ADAPTER,210 JM FRAME,SS ZC2</i>	<i>1</i>
5	SW8100115	RING,WEAR,2 SUCTION,SS ZC2 ZCH2 2X2	1
6	SX8107752	SLEEVE,SHFT,4X3L,SS ZC2	1
7	SI8107270	SCREW,IMP,SS DC2 EC2 KC2 MC3 ZC2	1
8	GX5042301	SLINGER,1-7/32X3-1/4X5/32 80 DUR (180JM-210JM)	1
9	GX5041300	GASKET,9-1/4 X 10 X1/16,N-8090	1
10	GX5040500	GASKET,IMP SCRW,7/8X1-3/8X1/32	1
11	GX5040000	GASKET,7/8X1-1/2X1/32,N-8090	1
12	GX5091400	SPLASHPLATE,EC2 KC2 RC2 ZC2,SS FR213-256	1
13	GX5051300	KEY,IMP, .187SQX1.5 EC KC RC ZC	1
14	GS8108160	KIT,1-1/4,T21,CE/CA/BU ZC2	1
	<i>GS8108160-316SS</i>	<i>KIT,1-1/4,T21,CE/CA/BU,316SS MET ZC2</i>	<i>1</i>
	<i>GS8108170</i>	<i>KIT,1-1/4,T21,CE/CA/VI ZC2</i>	<i>1</i>
	<i>GS8108170-316SS</i>	<i>KIT,1-1/4,T21,CE/CA/VI,316SS MET ZC2</i>	<i>1</i>
17	GX5077400	CAPSCRW,SH,1/2-13X1-3/4,BLK OX SCKT HD	4
18	GX5077100	CAPSCRW,HX,3/8-16X1,18-8SS HX HD	4
	GX5077200	CAPSCRW,HX,3/8-16X1-1/4,18-8SS HX HD	4
22	SW8100115	RING,WEAR,2 SUCTION,SS ZC2 ZCH2 2X2	1
23	SX8204302	STUFFING BOX,SS,JM,SGL SEAL ZC2	1
24	GX5041900	GASKET,4X3X1/32,N-8090,STFBX STUFFING BOX	1
26	GX5077100	CAPSCRW,HX,3/8-16X1,18-8SS HX HD	8
27	GX5077100	CAPSCRW,HX,3/8-16X1,18-8SS HX HD	4



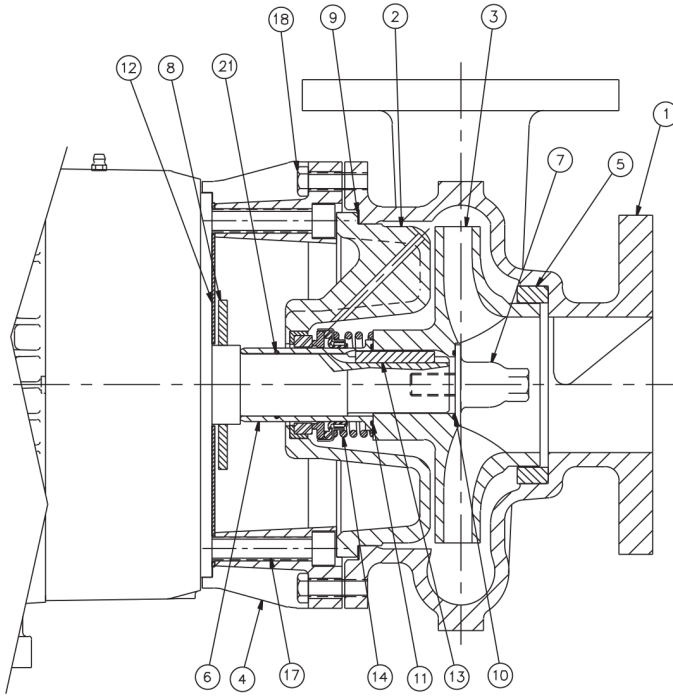
Ref #	Component
1	Casing
2	Cover
3	Impeller
4	Adapter
5	Wear Ring (Casing)
6	Shaft Sleeve
7	Impeller Screw
8	Slinger
9	Gasket, Casing
10	Gasket, Impeller Screw
11	O-Ring, Shaft Sleeve
12	Splashplate
13	Key, Impeller
14	Seal Kit
17	Capscrew (Motor/Adapter)
18	Capscrew (Casing/Adapter)
21*	O-Ring, Shaft Sleeve
22**	Wear Ring (Cover)

\* ZCH2 Only  
\*\* ZC2/ZCH2 4 x 3 Only

**Exploded View**

*Optional Items Shown in ITALICS*

Ref #	Component Item No.	Description	Qty Per
1	SV8401723	CASING,2-1/2X2,SS ZC2	1
2	SC8302471	COVER,2-1/2X2,SS DC2	1
3	SI8302491	IMPELLER,2-1/2X2,SS DC2	1
4	GX8400951	ADAPTER,100 JM FRAME ZC2	1
	<i>SX8400952</i>	<i>ADAPTER,100 JM FRAME,SS ZC2</i>	1
5	SW8100034	RING,WEAR,2-1/2 SUCTION,SS ZC2 2-1/2X2	1
6	SX8103721	SLEEVE,SHFT,SS ZC2	1
7	SI8107270	SCREW,IMP,SS DC2 EC2 KC2 MC3 ZC2	1
8	GX5042301	SLINGER,1-7/32X3-1/4X5/32 80 DUR (180JM-210JM)	1
	<i>GX5042300</i>	<i>SLINGER,1-1/8X3-1/4X5/32 80 DUR (140JM)</i>	1
9	GX5041000	GASKET,6-5/8X7-5/32X1/32 ,N-8090	1
10	GX5038500	O-RING,.989X1.29X.070,BUNA 70 DUR, IMP SCRW	1
	<i>GX5038502</i>	<i>O-RING,T21,1-1/4,EPDM (2-022)</i>	1
	<i>GX5038501</i>	<i>O-RING,43/252/325,VIT,FDA Cmpl DC3 ZC2</i>	1
11	GX5098300	O-RING,T21,1-1/4,BUNA,SLV	1
	<i>GX5098301</i>	<i>O-RING,T21,1-1/4,EPDM,SLV (1-1/4 X 1-3/8 X 1/16)</i>	1
	<i>GX5098302</i>	<i>O-RING,43/252/325,VIT DC3</i>	1
12	GX5091600	SPLASHPLATE,EC2/KC2/RC2/ZC2,SS FR143-184	1
13	GX5051300	KEY,IMP,.1875SQX1.5 EC KC RC ZC	1
14	GS8103410	KIT,1-1/4,T21,CE/CA/BU ZC2	1
	<i>GS8103410-316SS</i>	<i>KIT,1-1/4,T21,CE/CA/BU,316SS MET ZC2</i>	1
	<i>GS8105960</i>	<i>KIT,1-1/4,T21,CE/CA/VI ZC2</i>	1
	<i>GS8105960-316SS</i>	<i>KIT,1-1/4,T21,CE/CA/VI,316SS MET ZC2</i>	1
	<i>GS8106590</i>	<i>KIT,1-1/4,T21,NI/CA/BU ZC2</i>	1
	<i>GS8106590-316SS</i>	<i>KIT,1-1/4,T21,NI/CA/BU,316SS MET ZC2</i>	1
	<i>GS8106620</i>	<i>KIT,1-1/4,T21,CE/CA/EP ZC2</i>	1
	<i>GS8106620-316SS</i>	<i>KIT,1-1/4,T21,CE/CA/EP,316SS MET ZC2</i>	1



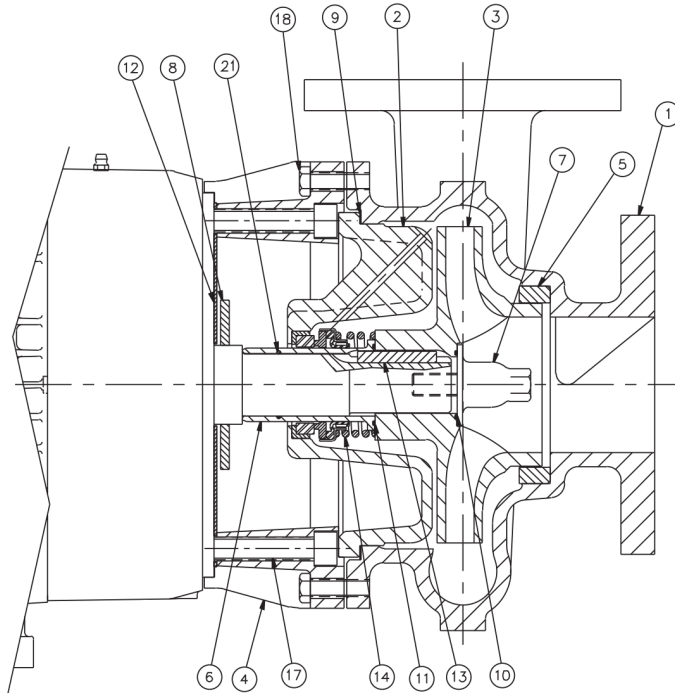
Ref #	Component
1	Casing
2	Cover
3	Impeller
4	Adapter
5	Wear Ring (Casing)
6	Shaft Sleeve
7	Impeller Screw
8	Slinger
9	Gasket, Casing
10	Gasket, Impeller Screw
11	O-Ring, Shaft Sleeve
12	Splashplate
13	Key, Impeller
14	Seal Kit
17	Capscrew (Motor/Adapter)
18	Capscrew (Casing/Adapter)
21*	O-Ring, Shaft Sleeve
22**	Wear Ring (Cover)

\* ZCH2 Only  
\*\* ZC2/ZCH2 4 x 3 Only

**Exploded View**

*Optional Items Shown in ITALICS*

Ref #	Component Item No.	Description	Qty Per
14	<i>GS8106610</i>	<i>KIT, 1-1/4, T21, TC/CA/VI ZC2 1512,215,252,325,43</i>	1
	<i>GS8107830</i>	<i>KIT, 1-1/4, T21, SC/CA/VI ZC2</i>	1
	<i>GS8111170-316SS</i>	<i>KIT, 1-1/4, T21, TC/SC/BU, 316SS MET ZC2 1512,215,252,325,43</i>	1
17	<b>GX5077100</b>	<b>CAPSCRW, HX, 3/8-16X1, 18-8SS HX HD</b>	12
18	<b>GX5077100</b>	<b>CAPSCRW, HX, 3/8-16X1, 18-8SS HX HD</b>	8



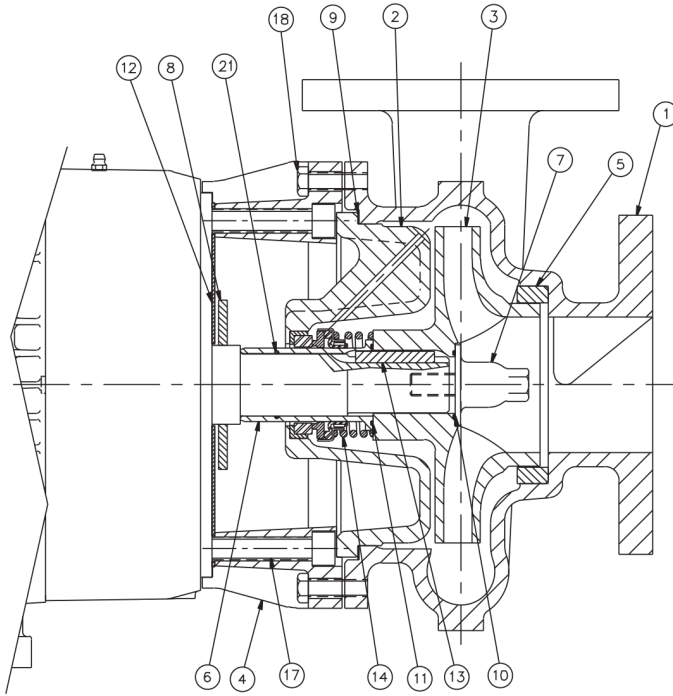
Ref #	Component
1	Casing
2	Cover
3	Impeller
4	Adapter
5	Wear Ring (Casing)
6	Shaft Sleeve
7	Impeller Screw
8	Slinger
9	Gasket, Casing
10	Gasket, Impeller Screw
11	O-Ring, Shaft Sleeve
12	Splashplate
13	Key, Impeller
14	Seal Kit
17	Capscrew (Motor/Adapter)
18	Capscrew (Casing/Adapter)
21*	O-Ring, Shaft Sleeve
22**	Wear Ring (Cover)

\* ZCH2 Only  
\*\* ZC2/ZCH2 4 x 3 Only

**Exploded View**

*Optional Items Shown in ITALICS*

Ref #	Component Item No.	Description	Qty Per
1	SV8401723	CASING,2-1/2X2,SS ZC2	1
2	SC8302471	COVER,2-1/2X2,SS DC2	1
3	SI8302491	IMPELLER,2-1/2X2,SS DC2	1
4	GX8301391	ADAPTER,210 JM FRAME ZC2	1
	<i>SX8301392</i>	<i>ADAPTER,210 JM FRAME,SS ZC2</i>	1
5	SW8100034	RING,WEAR,2-1/2 SUCTION,SS ZC2 2-1/2X2	1
6	SX8103721	SLEEVE,SHFT,SS ZC2	1
7	SI8107270	SCREW,IMP,SS DC2 EC2 KC2 MC3 ZC2	1
8	GX5042301	SLINGER,1-7/32X3-1/4X5/32 80 DUR (180JM-210JM)	1
9	GX5041000	GASKET,6-5/8X7-5/32X1/32 ,N-8090	1
10	GX5038500	O-RING,,989X1.29X.070,BUNA 70 DUR, IMP SCRW	1
	<i>GX5038502</i>	<i>O-RING,T21,1-1/4,EPDM (2-022)</i>	1
	<i>GX5038501</i>	<i>O-RING,43/252/325,VIT,FDA CMPL DC3 ZC2</i>	1
11	GX5098300	O-RING,T21,1-1/4,BUNA,SLV	1
	<i>GX5098301</i>	<i>O-RING,T21,1-1/4,EPDM,SLV (1-1/4 X 1-3/8 X 1/16)</i>	1
	<i>GX5098302</i>	<i>O-RING,43/252/325,VIT DC3</i>	1
12	GX5091400	SPLASHPLATE,EC2 KC2 RC2 ZC2,SS FR213-256	1
13	GX5051300	KEY,IMP,,.187SQX1.5 EC KC RC ZC	1
14	GS8103410	KIT,1-1/4,T21,CE/CA/BU ZC2	1
	<i>GS8103410-316SS</i>	<i>KIT,1-1/4,T21,CE/CA/BU,316SS MET ZC2</i>	1
	<i>GS8105960</i>	<i>KIT,1-1/4,T21,CE/CA/VI ZC2</i>	1
	<i>GS8105960-316SS</i>	<i>KIT,1-1/4,T21,CE/CA/VI,316SS MET ZC2</i>	1
	<i>GS8106590</i>	<i>KIT,1-1/4,T21,NI/CA/BU ZC2</i>	1
	<i>GS8106590-316SS</i>	<i>KIT,1-1/4,T21,NI/CA/BU,316SS MET ZC2</i>	1
	<i>GS8106620</i>	<i>KIT,1-1/4,T21,CE/CA/EP ZC2</i>	1
	<i>GS8106620-316SS</i>	<i>KIT,1-1/4,T21,CE/CA/EP,316SS MET ZC2</i>	1
	<i>GS8106610</i>	<i>KIT,1-1/4,T21,TC/CA/VI ZC2 1512,215,252,325,43</i>	1



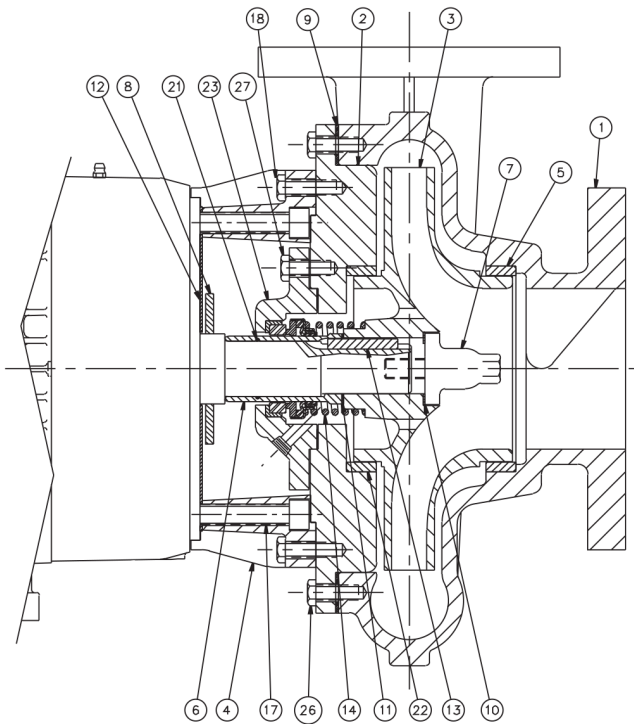
Ref #	Component
1	Casing
2	Cover
3	Impeller
4	Adapter
5	Wear Ring (Casing)
6	Shaft Sleeve
7	Impeller Screw
8	Slinger
9	Gasket, Casing
10	Gasket, Impeller Screw
11	O-Ring, Shaft Sleeve
12	Splashplate
13	Key, Impeller
14	Seal Kit
17	Capscrew (Motor/Adapter)
18	Capscrew (Casing/Adapter)
21*	O-Ring, Shaft Sleeve
22**	Wear Ring (Cover)

\* ZCH2 Only  
\*\* ZC2/ZCH2 4 x 3 Only

**Exploded View**

*Optional Items Shown in ITALICS*

Ref #	Component Item No.	Description	Qty Per
14	<i>GS8107830</i>	<i>KIT, 1-1/4, T21, SC/CA/VI ZC2</i>	1
	<i>GS8111170-316SS</i>	<i>KIT, 1-1/4, T21, TC/SC/BU, 316SS MET ZC2 1512, 215, 252, 325, 43</i>	1
17	<b>GX5077100</b>	<b>CAPSCRW, HX, 3/8-16X1, 18-8SS HX HD</b>	4
	<b>GX5077200</b>	<b>CAPSCRW, HX, 3/8-16X1-1/4, 18-8SS HX HD</b>	4
18	<b>GX5077400</b>	<b>CAPSCRW, SH, 1/2-13X1-3/4, BLK OX SCKT HD</b>	4



Ref #	Component
1	Casing
2	Cover
3	Impeller
4	Adapter
5	Wear Ring (Casing)
6	Shaft Sleeve
7	Impeller Screw
8	Slinger
9	Gasket, Casing
10	Gasket, Impeller Screw
11	O-Ring, Shaft Sleeve
12	Splashplate
13	Key, Impeller
14	Seal Kit
17	Capscrew (Motor/Adapter)
18	Capscrew (Cover/Adapter)
21*	O-Ring, Shaft Sleeve
22**	Wear Ring (Cover)
23	Stuffing Box
24	Gasket, Stuffing Box
26	Capscrew (Casing/Cover)
27	Capscrew (Cover/Stuffing Box)

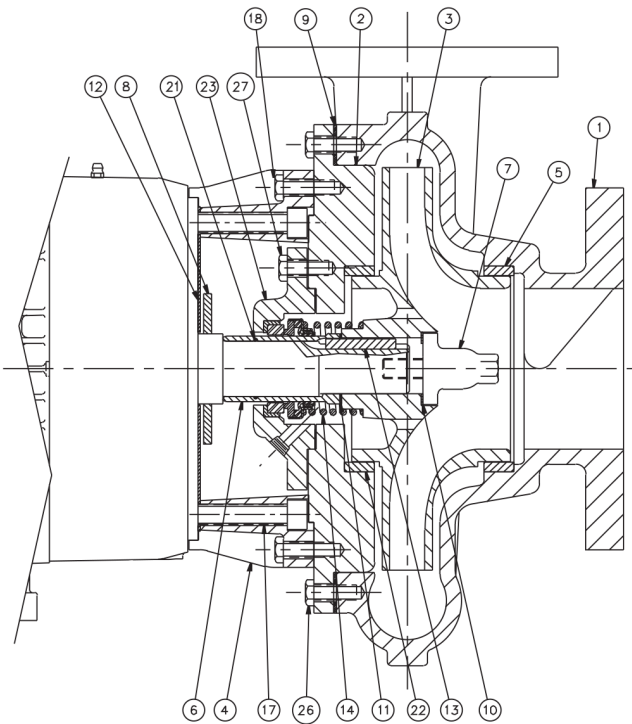
\* ZCH2 Only

\*\* Not Required for 1-1/2 x 1-1/2 Models

**Exploded View**

*Optional Items Shown in ITALICS*

Ref #	Component Item No.	Description	Qty Per
1	SV8402242	CASING,3X2,SS ZC2	1
2	SC8402262	COVER,4X3L,SS,JM ZC2	1
3	SI8303772	IMPELLER,3X2,SS,T21 ZC2	1
4	GX8400951	ADAPTER,100 JM FRAME ZC2	1
	<i>SX8400952</i>	<i>ADAPTER,100 JM FRAME,SS ZC2</i>	<i>1</i>
5	SW8107662	RING,WEAR,3X2,SS ZC2 ZCH2 3X2	1
6	SX8107752	SLEEVE,SHFT,4X3L,SS ZC2	1
7	SI8107742	SCREW,32/43C/43L/3310,IMP,SS ZC2 RC2	1
8	GX5042301	SLINGER,1-7/32X3-1/4X5/32 80 DUR (180JM-210JM)	1
9	GX5106200	GASKET,3X2,CVR,CASING 10-1/8X 12-1/8 X 1/16 N-8090	1
10	GX5040500	GASKET,IMP SCRW,7/8X1-3/8X1/32	1
11	GX5040000	GASKET,7/8X1-1/2X1/32,N-8090	1
12	GX5091600	SPLASHPLATE,EC2/KC2/RC2/ZC2,SS FR143-184	1
13	GX5051300	KEY,IMP,..187SQX1.5 EC KC RC ZC	1
14	GS8107860	KIT,1-1/4,3X2,T21,CA/CE/BU ZC2	1
	<i>GS8108180</i>	<i>KIT,1-1/4,T21,CE/CA/VI 3X2, 4X3L ZC2</i>	<i>1</i>
17	GX5077100	CAPSCRW,HX,3/8-16X1,18-8SS HX HD	4
18	GX5077100	CAPSCRW,HX,3/8-16X1,18-8SS HX HD	8
22	SW8107682	RING,WEAR,3X2 4X3 L,SS,STUFF BX ZC2 ZCH2	1
23	SX8204302	STUFFING BOX,SS,JM,SGL SEAL ZC2	1
24	GX5041900	GASKET,4X3X1/32,N-8090,STFBX STUFFING BOX	1
26	GX5077100	CAPSCRW,HX,3/8-16X1,18-8SS HX HD	12
27	GX5077100	CAPSCRW,HX,3/8-16X1,18-8SS HX HD	4



Ref #	Component
1	Casing
2	Cover
3	Impeller
4	Adapter
5	Wear Ring (Casing)
6	Shaft Sleeve
7	Impeller Screw
8	Slinger
9	Gasket, Casing
10	Gasket, Impeller Screw
11	O-Ring, Shaft Sleeve
12	Splashplate
13	Key, Impeller
14	Seal Kit
17	Capscrew (Motor/Adapter)
18	Capscrew (Cover/Adapter)
21*	O-Ring, Shaft Sleeve
22**	Wear Ring (Cover)
23	Stuffing Box
24	Gasket, Stuffing Box
26	Capscrew (Casing/Cover)
27	Capscrew (Cover/Stuffing Box)

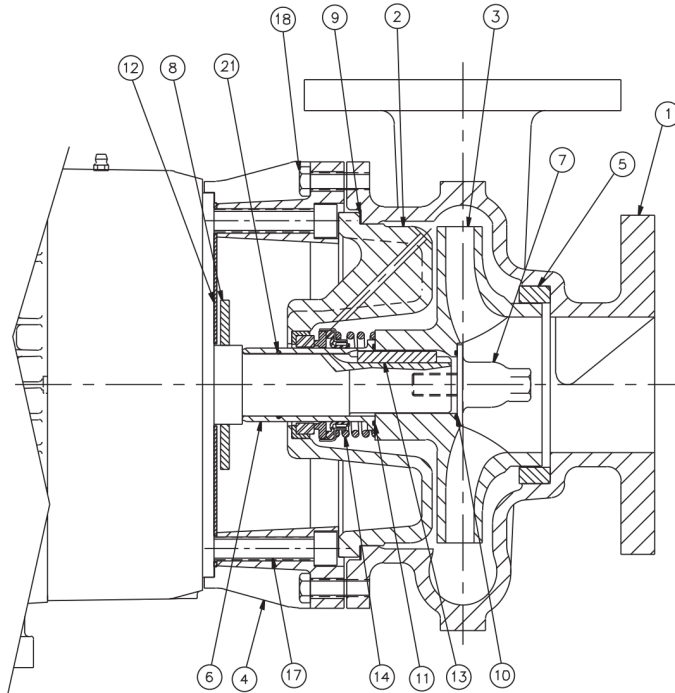
\* ZCH2 Only

\*\* Not Required for 1-1/2 x 1-1/2 Models

**Exploded View**

*Optional Items Shown in ITALICS*

Ref #	Component Item No.	Description	Qty Per
1	SV8402242	CASING,3X2,SS ZC2	1
2	SC8402262	COVER,4X3L,SS,JM ZC2	1
3	SI8303772	IMPELLER,3X2,SS,T21 ZC2	1
4	GX8301391	ADAPTER,210 JM FRAME ZC2	1
	<i>SX8301392</i>	<i>ADAPTER,210 JM FRAME,SS ZC2</i>	<i>1</i>
5	SW8107662	RING,WEAR,3X2,SS ZC2 ZCH2 3X2	1
6	SX8107752	SLEEVE,SHFT,4X3L,SS ZC2	1
7	SI8107742	SCREW,3/2 43C/43L 3310,IMP,SS ZC2 RC2	1
8	GX5042301	SLINGER,1-7/32X3-1/4X5/32 80 DUR (180JM-210JM)	1
9	GX5106200	GASKET,3X2,CVR,CASING 10-1/8X 12-1/8 X 1/16 N-8090	1
10	GX5040500	GASKET,IMP SCRW,7/8X1-3/8X1/32	1
11	GX5040000	GASKET,7/8X1-1/2X1/32,N-8090	1
12	GX5091400	SPLASHPLATE,EC2/KC2/RC2/ZC2,SS FR213-256	1
13	GX5051300	KEY,IMP, .187SQX1.5 EC KC RC ZC	1
14	GS8107860	KIT,1-1/4,3X2,T21,CA/CE/BU ZC2	1
	<i>GS8108180</i>	<i>KIT,1-1/4,T21,CE/CA/VI 3X2, 4X3L ZC2</i>	<i>1</i>
17	GX5077400	CAPSCRW,SH,1/2-13X1-3/4,BLK OX SCKT HD	4
18	GX5077100	CAPSCRW,HX,3/8-16X1,18-8SS HX HD	4
	GX5077200	CAPSCRW,HX,3/8-16X1-1/4,18-8SS HX HD	4
22	SW8107682	RING,WEAR,3X2 4X3 L ,SS,STUFF BX ZC2 ZCH2	1
23	SX8204302	STUFFING BOX,SS,JM,SGL SEAL ZC2	1
24	GX5041900	GASKET,4X3X1/32,N-8090,STFBX STUFFING BOX	1
26	GX5077100	CAPSCRW,HX,3/8-16X1,18-8SS HX HD	12
27	GX5077100	CAPSCRW,HX,3/8-16X1,18-8SS HX HD	4



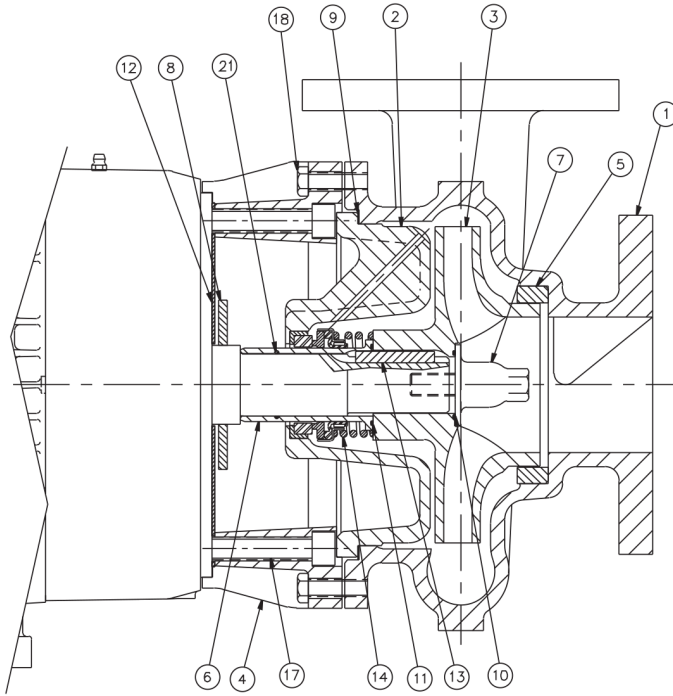
Ref #	Component
1	Casing
2	Cover
3	Impeller
4	Adapter
5	Wear Ring (Casing)
6	Shaft Sleeve
7	Impeller Screw
8	Slinger
9	Gasket, Casing
10	Gasket, Impeller Screw
11	O-Ring, Shaft Sleeve
12	Splashplate
13	Key, Impeller
14	Seal Kit
17	Capscrew (Motor/Adapter)
18	Capscrew (Casing/Adapter)
21*	O-Ring, Shaft Sleeve
22**	Wear Ring (Cover)

\* ZCH2 Only  
\*\* ZC2/ZCH2 4 x 3 Only

**Exploded View**

*Optional Items Shown in ITALICS*

Ref #	Component Item No.	Description	Qty Per
1	SV8400773	CASING,3X2-1/2,SS ZC2	1
2	SC8302511	COVER,3X2-1/2,SS DC2	1
3	SI8302601	IMPELLER,3X2-1/2,SS DC2	1
4	GX8400951	ADAPTER,100 JM FRAME ZC2	1
	<i>SX8400952</i>	<i>ADAPTER,100 JM FRAME,SS ZC2</i>	1
5	SW8100572	RING,WEAR,3 SUCTION,SS ZC2 ZCH2 3X2-1/2	1
6	SX8103721	SLEEVE,SHFT,SS ZC2	1
7	SI8107270	SCREW,IMP,SS DC2 EC2 KC2 MC3 ZC2	1
8	GX5042301	SLINGER,1-7/32X3-1/4X5/32 80 DUR (180JM-210JM)	1
	<i>GX5042300</i>	<i>SLINGER,1-1/8X3-1/4X5/32 80 DUR (140JM)</i>	1
9	GX5041200	GASKET,7-47/64X7-1/8X 1/32 ,N-8090	1
10	GX5038500	O-RING,.989X1.29X.070,BUNA 70 DUR, IMP SCRW	1
	<i>GX5038502</i>	<i>O-RING,T21,1-1/4,EPDM (2-022)</i>	1
	<i>GX5038501</i>	<i>O-RING,43/252/325,VIT,FDA Cmpl DC3 ZC2</i>	1
11	GX5098300	O-RING,T21,1-1/4,BUNA,SLV	1
	<i>GX5098301</i>	<i>O-RING,T21,1-1/4,EPDM,SLV (1-1/4 X 1-3/8 X 1/16)</i>	1
	<i>GX5098302</i>	<i>O-RING,43/252/325,VIT DC3</i>	1
12	GX5091600	SPLASHPLATE,EC2/KC2/RC2/ZC2,SS FR143-184	1
13	GX5051300	KEY,IMP,.1875SQ1.5 EC KC RC ZC	1
14	GS8103410	KIT,1-1/4,T21,CE/CA/BU ZC2	1
	<i>GS8103410-316SS</i>	<i>KIT,1-1/4,T21,CE/CA/BU,316SS MET ZC2</i>	1
	<i>GS8105960</i>	<i>KIT,1-1/4,T21,CE/CA/VI ZC2</i>	1
	<i>GS8105960-316SS</i>	<i>KIT,1-1/4,T21,CE/CA/VI,316SS MET ZC2</i>	1
	<i>GS8106590</i>	<i>KIT,1-1/4,T21,NI/CA/BU ZC2</i>	1
	<i>GS8106590-316SS</i>	<i>KIT,1-1/4,T21,NI/CA/BU,316SS MET ZC2</i>	1
	<i>GS8106620</i>	<i>KIT,1-1/4,T21,CE/CA/EP ZC2</i>	1
	<i>GS8106620-316SS</i>	<i>KIT,1-1/4,T21,CE/CA/EP,316SS MET ZC2</i>	1



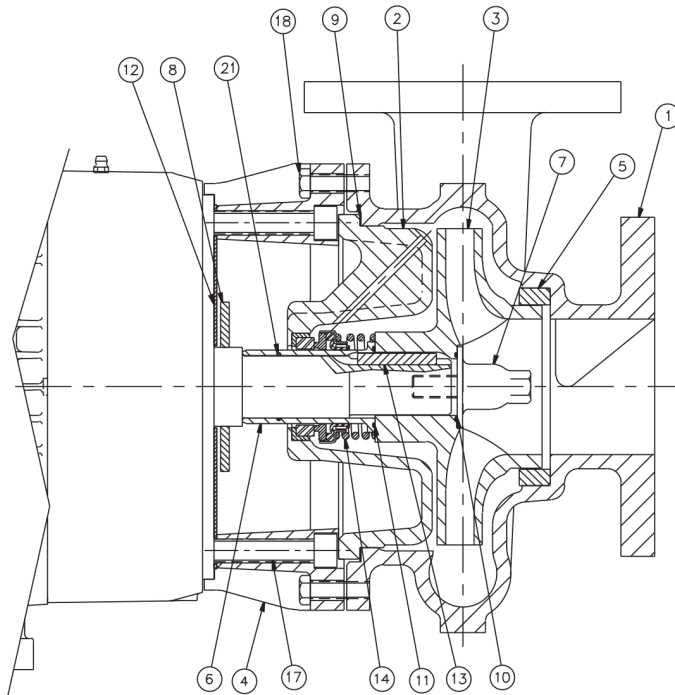
Ref #	Component
1	Casing
2	Cover
3	Impeller
4	Adapter
5	Wear Ring (Casing)
6	Shaft Sleeve
7	Impeller Screw
8	Slinger
9	Gasket, Casing
10	Gasket, Impeller Screw
11	O-Ring, Shaft Sleeve
12	Splashplate
13	Key, Impeller
14	Seal Kit
17	Capscrew (Motor/Adapter)
18	Capscrew (Casing/Adapter)
21*	O-Ring, Shaft Sleeve
22**	Wear Ring (Cover)

\* ZCH2 Only  
\*\* ZC2/ZCH2 4 x 3 Only

**Exploded View**

*Optional Items Shown in ITALICS*

Ref #	Component Item No.	Description	Qty Per
14	<i>GS8106610</i>	<i>KIT, 1-1/4, T21, TC/CA/VI ZC2 1512,215,252,325,43</i>	1
	<i>GS8107830</i>	<i>KIT, 1-1/4, T21, SC/CA/VI ZC2</i>	1
	<i>GS8111170-316SS</i>	<i>KIT, 1-1/4, T21, TC/SC/BU, 316SS MET ZC2 1512,215,252,325,43</i>	1
17	<b>GX5077100</b>	<b>CAPSCRW, HX, 3/8-16X1, 18-8SS HX HD</b>	4
18	<b>GX5077100</b>	<b>CAPSCRW, HX, 3/8-16X1, 18-8SS HX HD</b>	8



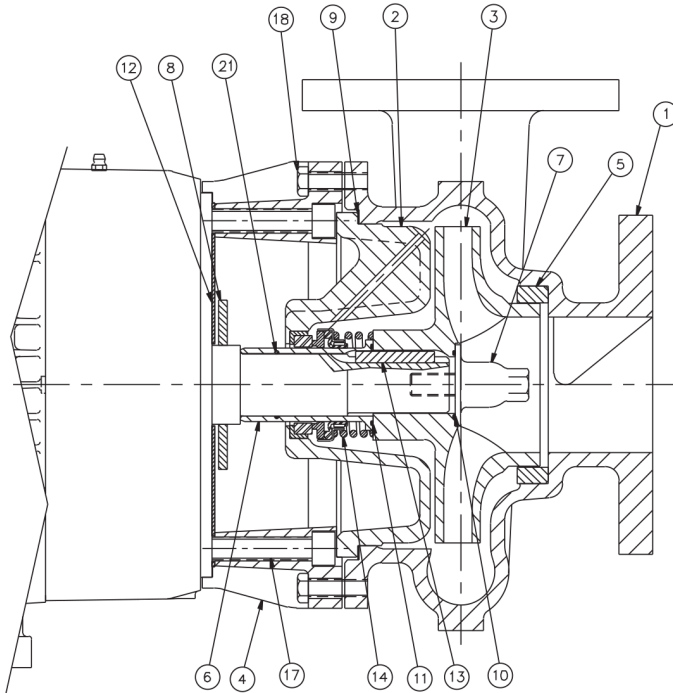
Ref #	Component
1	Casing
2	Cover
3	Impeller
4	Adapter
5	Wear Ring (Casing)
6	Shaft Sleeve
7	Impeller Screw
8	Slinger
9	Gasket, Casing
10	Gasket, Impeller Screw
11	O-Ring, Shaft Sleeve
12	Splashplate
13	Key, Impeller
14	Seal Kit
17	Capscrew (Motor/Adapter)
18	Capscrew (Casing/Adapter)
21*	O-Ring, Shaft Sleeve
22**	Wear Ring (Cover)

\* ZCH2 Only  
\*\* ZC2/ZCH2 4 x 3 Only

**Exploded View**

*Optional Items Shown in ITALICS*

Ref #	Component Item No.	Description	Qty Per
1	SV8400773	CASING,3X2-1/2,SS ZC2	1
2	SC8302511	COVER,3X2-1/2,SS DC2	1
3	SI8302601	IMPELLER,3X2-1/2,SS DC2	1
4	GX8301391	ADAPTER,210 JM FRAME ZC2	1
	<i>SX8301392</i>	<i>ADAPTER,210 JM FRAME,SS ZC2</i>	<i>1</i>
5	SW8100572	RING,WEAR,3 SUCTION,SS ZC2 ZCH2 3X2-1/2	1
6	SX8103721	SLEEVE,SHFT,SS ZC2	1
7	SI8107270	SCREW,IMP,SS DC2 EC2 KC2 MC3 ZC2	1
8	GX5042301	SLINGER,1-7/32X3-1/4X5/32 80 DUR (180JM-210JM)	1
9	GX5041200	GASKET,7-47/64X7-1/8X 1/32 ,N-8090	1
10	GX5038500	O-RING,,989X1.29X.070,BUNA 70 DUR, IMP SCRW	1
	<i>GX5038502</i>	<i>O-RING,T21,1-1/4,EPDM (2-022)</i>	<i>1</i>
	<i>GX5038501</i>	<i>O-RING,43/252/325,VIT,FDA CMPL DC3 ZC2</i>	<i>1</i>
11	GX5098300	O-RING,T21,1-1/4,BUNA,SLV	1
	<i>GX5098301</i>	<i>O-RING,T21,1-1/4,EPDM,SLV (1-1/4 X 1-3/8 X 1/16)</i>	<i>1</i>
	<i>GX5098302</i>	<i>O-RING,43/252/325,VIT DC3</i>	<i>1</i>
12	GX5091400	SPLASHPLATE,EC2 KC2 RC2 ZC2,SS FR213-256	1
13	GX5051300	KEY,IMP,,.187SQX1.5 EC KC RC ZC	1
14	GS8103410	KIT,1-1/4,T21,CE/CA/BU ZC2	1
	<i>GS8103410-316SS</i>	<i>KIT,1-1/4,T21,CE/CA/BU,316SS MET ZC2</i>	<i>1</i>
	<i>GS8105960</i>	<i>KIT,1-1/4,T21,CE/CA/VI ZC2</i>	<i>1</i>
	<i>GS8105960-316SS</i>	<i>KIT,1-1/4,T21,CE/CA/VI,316SS MET ZC2</i>	<i>1</i>
	<i>GS8106590</i>	<i>KIT,1-1/4,T21,NI/CA/BU ZC2</i>	<i>1</i>
	<i>GS8106590-316SS</i>	<i>KIT,1-1/4,T21,NI/CA/BU,316SS MET ZC2</i>	<i>1</i>
	<i>GS8106620</i>	<i>KIT,1-1/4,T21,CE/CA/EP ZC2</i>	<i>1</i>
	<i>GS8106620-316SS</i>	<i>KIT,1-1/4,T21,CE/CA/EP,316SS MET ZC2</i>	<i>1</i>
	<i>GS8106610</i>	<i>KIT,1-1/4,T21,TC/CA/VI ZC2 1512,215,252,325,43</i>	<i>1</i>



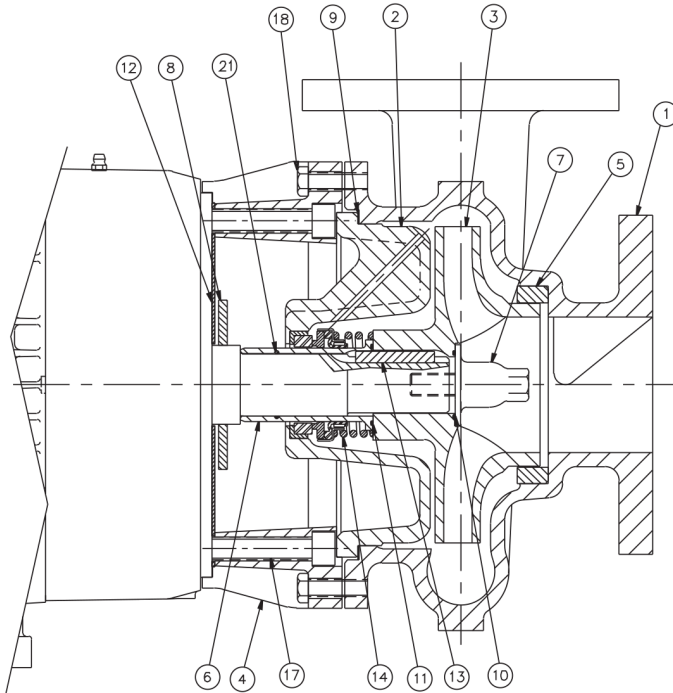
Ref #	Component
1	Casing
2	Cover
3	Impeller
4	Adapter
5	Wear Ring (Casing)
6	Shaft Sleeve
7	Impeller Screw
8	Slinger
9	Gasket, Casing
10	Gasket, Impeller Screw
11	O-Ring, Shaft Sleeve
12	Splashplate
13	Key, Impeller
14	Seal Kit
17	Capscrew (Motor/Adapter)
18	Capscrew (Casing/Adapter)
21*	O-Ring, Shaft Sleeve
22**	Wear Ring (Cover)

\* ZCH2 Only  
\*\* ZC2/ZCH2 4 x 3 Only

**Exploded View**

*Optional Items Shown in ITALICS*

Ref #	Component Item No.	Description	Qty Per
14	<i>GS8107830</i>	<i>KIT, 1-1/4, T21, SC/CA/VI ZC2</i>	1
	<i>GS8111170-316SS</i>	<i>KIT, 1-1/4, T21, TC/SC/BU, 316SS MET ZC2 1512, 215, 252, 325, 43</i>	1
17	<b>GX5077400</b>	<b>CAPSCRW, SH, 1/2-13X1-3/4, BLK OX SCKT HD</b>	4
18	<b>GX5077100</b>	<b>CAPSCRW, HX, 3/8-16X1, 18-8SS HX HD</b>	4
	<b>GX5077200</b>	<b>CAPSCRW, HX, 3/8-16X1-1/4, 18-8SS HX HD</b>	4



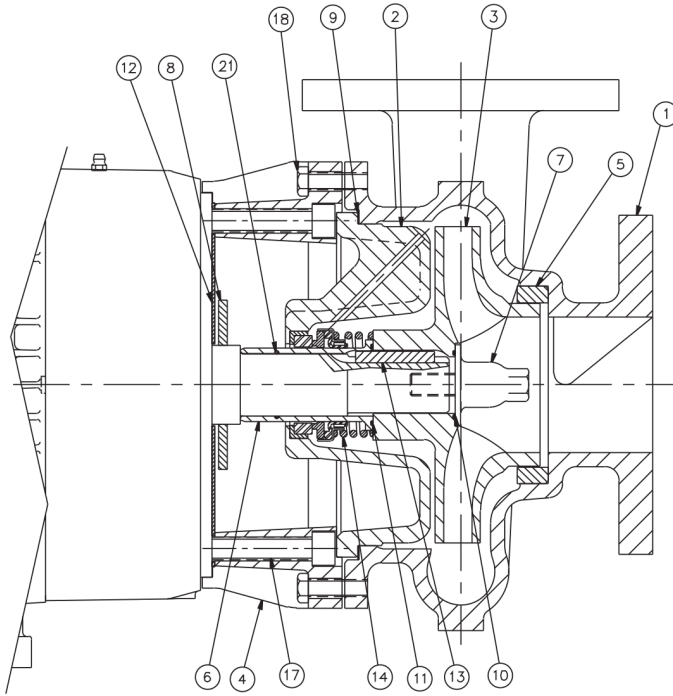
Ref #	Component
1	Casing
2	Cover
3	Impeller
4	Adapter
5	Wear Ring (Casing)
6	Shaft Sleeve
7	Impeller Screw
8	Slinger
9	Gasket, Casing
10	Gasket, Impeller Screw
11	O-Ring, Shaft Sleeve
12	Splashplate
13	Key, Impeller
14	Seal Kit
17	Capscrew (Motor/Adapter)
18	Capscrew (Casing/Adapter)
21*	O-Ring, Shaft Sleeve
22**	Wear Ring (Cover)

\* ZCH2 Only  
\*\* ZC2/ZCH2 4 x 3 Only

**Exploded View**

*Optional Items Shown in ITALICS*

Ref #	Component Item No.	Description	Qty Per
1	SV8400785	CASING,4X3,SS ZC2	1
2	SC8302052	COVER,4X3,SS ZC2	1
3	SI8302651	IMPELLER,4X3,SS DC2	1
4	GX8400951	ADAPTER,100 JM FRAME ZC2	1
	<i>SX8400952</i>	<i>ADAPTER,100 JM FRAME,SS ZC2</i>	1
5	SW8100544	RING,WEAR,4 SUCTION,SS ZC2 ZCH2 4X3	1
6	SX8103721	SLEEVE,SHFT,SS ZC2	1
7	SI8107270	SCREW,IMP,SS DC2 EC2 KC2 MC3 ZC2	1
8	GX5042301	SLINGER,1-7/32X3-1/4X5/32 80 DUR (180JM-210JM)	1
	<i>GX5042300</i>	<i>SLINGER,1-1/8X3-1/4X5/32 80 DUR (140JM)</i>	1
9	GX5041200	GASKET,7-47/64X7-1/8X 1/32 ,N-8090	1
10	GX5038500	O-RING,.989X1.29X.070,BUNA 70 DUR, IMP SCRW	1
	<i>GX5038502</i>	<i>O-RING,T21,1-1/4,EPDM (2-022)</i>	1
	<i>GX5038501</i>	<i>O-RING,43/252/325,VIT,FDA Cmpl DC3 ZC2</i>	1
11	GX5098300	O-RING,T21,1-1/4,BUNA,SLV	1
	<i>GX5098301</i>	<i>O-RING,T21,1-1/4,EPDM,SLV (1-1/4 X 1-3/8 X 1/16)</i>	1
	<i>GX5098302</i>	<i>O-RING,43/252/325,VIT DC3</i>	1
12	GX5091600	SPLASHPLATE,EC2/KC2/RC2/ZC2,SS FR143-184	1
13	GX5051300	KEY,IMP,.1875SQX1.5 EC KC RC ZC	1
14	GS8103410	KIT,1-1/4,T21,CE/CA/BU ZC2	1
	<i>GS8103410-316SS</i>	<i>KIT,1-1/4,T21,CE/CA/BU,316SS MET ZC2</i>	1
	<i>GS8105960</i>	<i>KIT,1-1/4,T21,CE/CA/VI ZC2</i>	1
	<i>GS8105960-316SS</i>	<i>KIT,1-1/4,T21,CE/CA/VI,316SS MET ZC2</i>	1
	<i>GS8106590</i>	<i>KIT,1-1/4,T21,NI/CA/BU ZC2</i>	1
	<i>GS8106590-316SS</i>	<i>KIT,1-1/4,T21,NI/CA/BU,316SS MET ZC2</i>	1
	<i>GS8106620</i>	<i>KIT,1-1/4,T21,CE/CA/EP ZC2</i>	1
	<i>GS8106620-316SS</i>	<i>KIT,1-1/4,T21,CE/CA/EP,316SS MET ZC2</i>	1



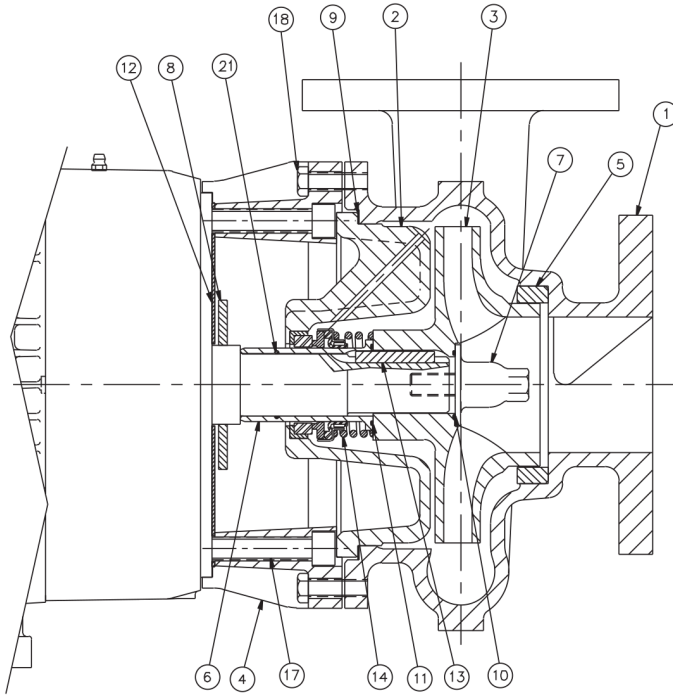
Ref #	Component
1	Casing
2	Cover
3	Impeller
4	Adapter
5	Wear Ring (Casing)
6	Shaft Sleeve
7	Impeller Screw
8	Slinger
9	Gasket, Casing
10	Gasket, Impeller Screw
11	O-Ring, Shaft Sleeve
12	Splashplate
13	Key, Impeller
14	Seal Kit
17	Capscrew (Motor/Adapter)
18	Capscrew (Casing/Adapter)
21*	O-Ring, Shaft Sleeve
22**	Wear Ring (Cover)

\* ZCH2 Only  
\*\* ZC2/ZCH2 4 x 3 Only

**Exploded View**

*Optional Items Shown in ITALICS*

Ref #	Component Item No.	Description	Qty Per
14	<i>GS8106610</i>	<i>KIT, 1-1/4, T21, TC/CA/VI ZC2 1512,215,252,325,43</i>	1
	<i>GS8107830</i>	<i>KIT, 1-1/4, T21, SC/CA/VI ZC2</i>	1
	<i>GS8111170-316SS</i>	<i>KIT, 1-1/4, T21, TC/SC/BU, 316SS MET ZC2 1512,215,252,325,43</i>	1
17	<b>GX5077100</b>	<b>CAPSCRW, HX, 3/8-16X1, 18-8SS HX HD</b>	4
18	<b>GX5077100</b>	<b>CAPSCRW, HX, 3/8-16X1, 18-8SS HX HD</b>	8
22	<b>SW8100544</b>	<b>RING, WEAR, 4 SUCTION, SS ZC2 ZCH2 4X3</b>	1



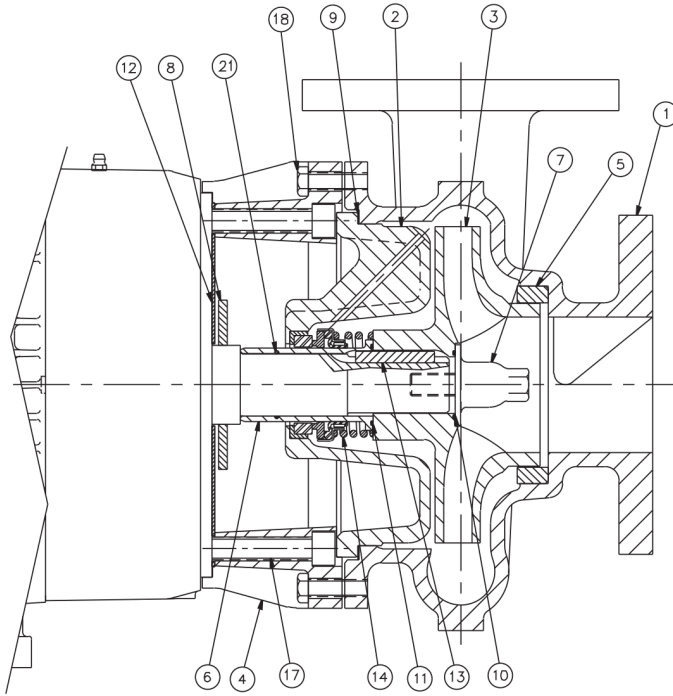
Ref #	Component
1	Casing
2	Cover
3	Impeller
4	Adapter
5	Wear Ring (Casing)
6	Shaft Sleeve
7	Impeller Screw
8	Slinger
9	Gasket, Casing
10	Gasket, Impeller Screw
11	O-Ring, Shaft Sleeve
12	Splashplate
13	Key, Impeller
14	Seal Kit
17	Capscrew (Motor/Adapter)
18	Capscrew (Casing/Adapter)
21*	O-Ring, Shaft Sleeve
22**	Wear Ring (Cover)

\* ZCH2 Only  
\*\* ZC2/ZCH2 4 x 3 Only

**Exploded View**

*Optional Items Shown in ITALICS*

Ref #	Component Item No.	Description	Qty Per
1	SV8400785	CASING,4X3,SS ZC2	1
2	SC8302052	COVER,4X3,SS ZC2	1
3	SI8302651	IMPELLER,4X3,SS DC2	1
4	GX8301391	ADAPTER,210 JM FRAME ZC2	1
	<i>SX8301392</i>	<i>ADAPTER,210 JM FRAME,SS ZC2</i>	1
5	SW8100544	RING,WEAR,4 SUCTION,SS ZC2 ZCH2 4X3	1
6	SX8103721	SLEEVE,SHFT,SS ZC2	1
7	SI8107270	SCREW,IMP,SS DC2 EC2 KC2 MC3 ZC2	1
8	GX5042301	SLINGER,1-7/32X3-1/4X5/32 80 DUR (180JM-210JM)	1
9	GX5041200	GASKET,7-47/64X7-1/8X 1/32 ,N-8090	1
10	GX5038500	O-RING,,989X1.29X.070,BUNA 70 DUR, IMP SCRW	1
	<i>GX5038502</i>	<i>O-RING,T21,1-1/4,EPDM (2-022)</i>	1
	<i>GX5038501</i>	<i>O-RING,43/252/325,VIT,FDA CMPL DC3 ZC2</i>	1
11	GX5098300	O-RING,T21,1-1/4,BUNA,SLV	1
	<i>GX5098301</i>	<i>O-RING,T21,1-1/4,EPDM,SLV (1-1/4 X 1-3/8 X 1/16)</i>	1
	<i>GX5098302</i>	<i>O-RING,43/252/325,VIT DC3</i>	1
12	GX5091400	SPLASHPLATE,EC2 KC2 RC2 ZC2,SS FR213-256	1
13	GX5051300	KEY,IMP,,.187SQX1.5 EC KC RC ZC	1
14	GS8103410	KIT,1-1/4,T21,CE/CA/BU ZC2	1
	<i>GS8103410-316SS</i>	<i>KIT,1-1/4,T21,CE/CA/BU,316SS MET ZC2</i>	1
	<i>GS8105960</i>	<i>KIT,1-1/4,T21,CE/CA/VI ZC2</i>	1
	<i>GS8105960-316SS</i>	<i>KIT,1-1/4,T21,CE/CA/VI,316SS MET ZC2</i>	1
	<i>GS8106590</i>	<i>KIT,1-1/4,T21,NI/CA/BU ZC2</i>	1
	<i>GS8106590-316SS</i>	<i>KIT,1-1/4,T21,NI/CA/BU,316SS MET ZC2</i>	1
	<i>GS8106620</i>	<i>KIT,1-1/4,T21,CE/CA/EP ZC2</i>	1
	<i>GS8106620-316SS</i>	<i>KIT,1-1/4,T21,CE/CA/EP,316SS MET ZC2</i>	1
	<i>GS8106610</i>	<i>KIT,1-1/4,T21,TC/CA/VI ZC2 1512,215,252,325,43</i>	1



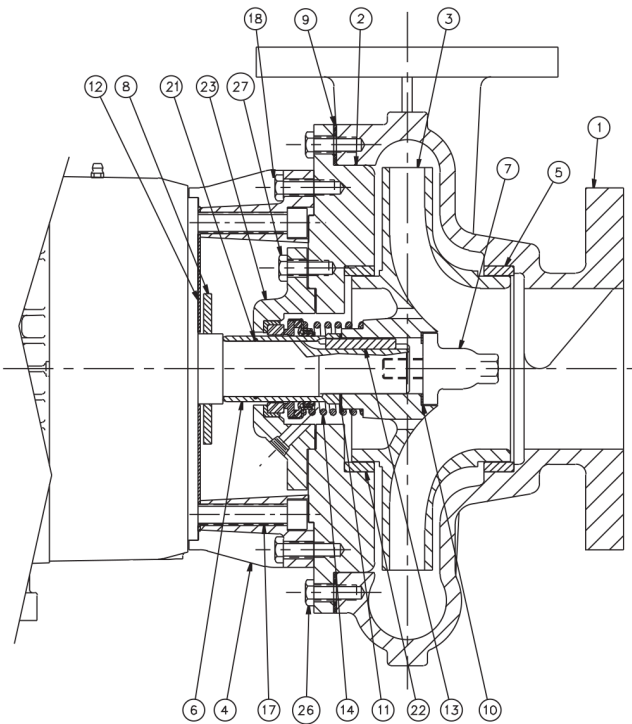
Ref #	Component
1	Casing
2	Cover
3	Impeller
4	Adapter
5	Wear Ring (Casing)
6	Shaft Sleeve
7	Impeller Screw
8	Slinger
9	Gasket, Casing
10	Gasket, Impeller Screw
11	O-Ring, Shaft Sleeve
12	Splashplate
13	Key, Impeller
14	Seal Kit
17	Capscrew (Motor/Adapter)
18	Capscrew (Casing/Adapter)
21*	O-Ring, Shaft Sleeve
22**	Wear Ring (Cover)

\* ZCH2 Only  
\*\* ZC2/ZCH2 4 x 3 Only

**Exploded View**

*Optional Items Shown in ITALICS*

Ref #	Component Item No.	Description	Qty Per
14	<i>GS8107830</i>	<i>KIT, 1-1/4, T21, SC/CA/VI ZC2</i>	1
	<i>GS8111170-316SS</i>	<i>KIT, 1-1/4, T21, TC/SC/BU, 316SS MET ZC2 1512, 215, 252, 325, 43</i>	1
17	<b>GX5077400</b>	<b>CAPSCRW, SH, 1/2-13X1-3/4, BLK OX SCKT HD</b>	4
18	<b>GX5077100</b>	<b>CAPSCRW, HX, 3/8-16X1, 18-8SS HX HD</b>	4
	<b>GX5077200</b>	<b>CAPSCRW, HX, 3/8-16X1-1/4, 18-8SS HX HD</b>	4
22	<b>SW8100544</b>	<b>RING, WEAR, 4 SUCTION, SS ZC2 ZCH2 4X3</b>	1



Ref #	Component
1	Casing
2	Cover
3	Impeller
4	Adapter
5	Wear Ring (Casing)
6	Shaft Sleeve
7	Impeller Screw
8	Slinger
9	Gasket, Casing
10	Gasket, Impeller Screw
11	O-Ring, Shaft Sleeve
12	Splashplate
13	Key, Impeller
14	Seal Kit
17	Capscrew (Motor/Adapter)
18	Capscrew (Cover/Adapter)
21*	O-Ring, Shaft Sleeve
22**	Wear Ring (Cover)
23	Stuffing Box
24	Gasket, Stuffing Box
26	Capscrew (Casing/Cover)
27	Capscrew (Cover/Stuffing Box)

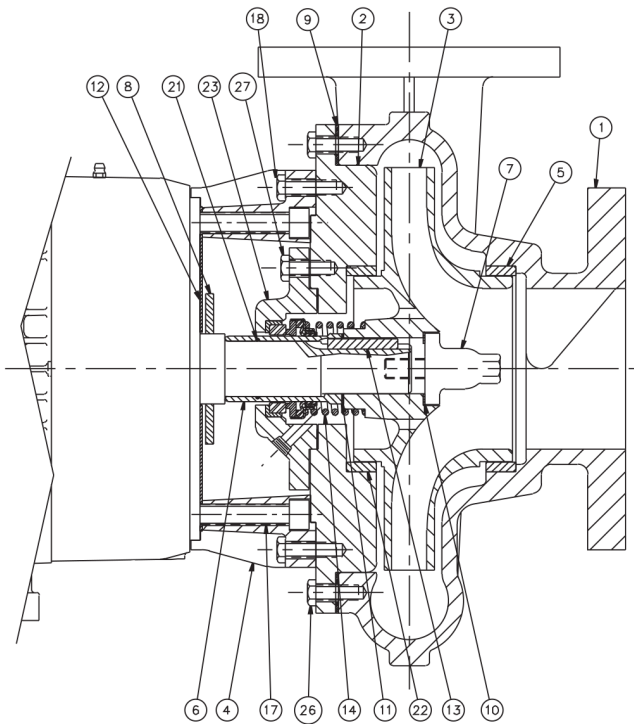
\* ZCH2 Only

\*\* Not Required for 1-1/2 x 1-1/2 Models

**Exploded View**

*Optional Items Shown in ITALICS*

Ref #	Component Item No.	Description	Qty Per
1	SV8402592	CASING,4X3C,SS ZCH2	1
2	SC8402602	COVER,4X3C,SS,JM,SGL SEAL ZCH2	1
3	SI8304352	IMPELLER,4X3C,SS ZC2	1
4	GX8400951	ADAPTER,100 JM FRAME ZC2	1
	<i>SX8400952</i>	<i>ADAPTER,100 JM FRAME,SS ZC2</i>	<i>1</i>
5	SW8107682	RING,WEAR,3X2 4X3 L ,SS,STUFF BX ZC2 ZCH2	1
6	SX8107752	SLEEVE,SHFT,4X3L,SS ZC2	1
7	SI8107742	SCREW,32/43C/43L 3310,IMP,SS ZC2 RC2	1
8	GX5042301	SLINGER,1-7/32X3-1/4X5/32 80 DUR (180JM-210JM)	1
9	GX5041300	GASKET,9-1/4 X 10 X1/16,N-8090	1
10	GX5040500	GASKET,IMP SCRW,7/8X1-3/8X1/32	1
11	GX5040000	GASKET,7/8X1-1/2X1/32,N-8090	1
12	GX5091600	SPLASHPLATE,EC2/KC2/RC2/ZC2,SS FR143-184	1
13	GX5051300	KEY,IMP, .187SQX1.5 EC KC RC ZC	1
14	GS8107860	KIT,1-1/4,3X2,T21,CA/CE/BU ZC2	1
	<i>GS8108180</i>	<i>KIT,1-1/4,T21,CE/CA/VI 3X2, 4X3L ZC2</i>	<i>1</i>
17	GX5077100	CAPSCRW,HX,3/8-16X1,18-8SS HX HD	4
18	GX5077100	CAPSCRW,HX,3/8-16X1,18-8SS HX HD	8
22	SW8107682	RING,WEAR,3X2 4X3 L ,SS,STUFF BX ZC2 ZCH2	1
23	SX8204302	STUFFING BOX,SS,JM,SGL SEAL ZC2	1
24	GX5041900	GASKET,4X3X1/32,N-8090,STFBX STUFFING BOX	1
26	GX5077100	CAPSCRW,HX,3/8-16X1,18-8SS HX HD	12
27	GX5077100	CAPSCRW,HX,3/8-16X1,18-8SS HX HD	4



Ref #	Component
1	Casing
2	Cover
3	Impeller
4	Adapter
5	Wear Ring (Casing)
6	Shaft Sleeve
7	Impeller Screw
8	Slinger
9	Gasket, Casing
10	Gasket, Impeller Screw
11	O-Ring, Shaft Sleeve
12	Splashplate
13	Key, Impeller
14	Seal Kit
17	Capscrew (Motor/Adapter)
18	Capscrew (Cover/Adapter)
21*	O-Ring, Shaft Sleeve
22**	Wear Ring (Cover)
23	Stuffing Box
24	Gasket, Stuffing Box
26	Capscrew (Casing/Cover)
27	Capscrew (Cover/Stuffing Box)

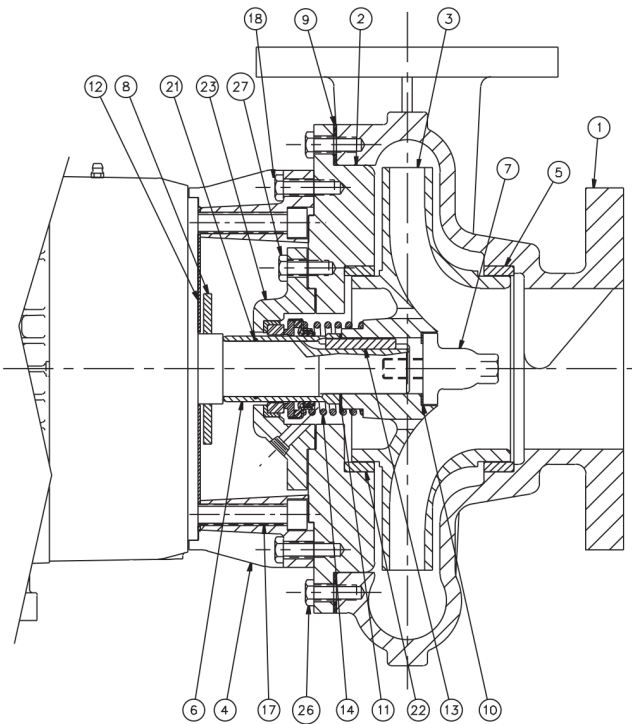
\* ZCH2 Only

\*\* Not Required for 1-1/2 x 1-1/2 Models

**Exploded View**

*Optional Items Shown in ITALICS*

Ref #	Component Item No.	Description	Qty Per
1	SV8402592	CASING,4X3C,SS ZCH2	1
2	SC8402602	COVER,4X3C,SS,JM,SGL SEAL ZCH2	1
3	SI8304352	IMPELLER,4X3C,SS ZC2	1
4	GX8301391	ADAPTER,210 JM FRAME ZC2	1
	<i>SX8301392</i>	<i>ADAPTER,210 JM FRAME,SS ZC2</i>	<i>1</i>
5	SW8107682	RING,WEAR,3X2 4X3 L ,SS,STUFF BX ZC2 ZCH2	1
6	SX8107752	SLEEVE,SHFT,4X3L,SS ZC2	1
7	SI8107742	SCREW,32 43C 43L 3310,IMP,SS ZC2 RC2	1
8	GX5042301	SLINGER,1-7 32X3-1 4X5 32 80 DUR (180JM-210JM)	1
9	GX5041300	GASKET,9-1/4 X 10 X1 16,N-8090	1
10	GX5040500	GASKET,IMP SCRW,7 8X1-3 8X1 32	1
11	GX5040000	GASKET,7 8X1-1 2X1 32,N-8090	1
12	GX5091400	SPLASHPLATE,EC2 KC2 RC2 ZC2,SS FR213-256	1
13	GX5051300	KEY,IMP, .187SQX1.5 EC KC RC ZC	1
14	GS8107860	KIT,1-1/4,3X2,T21,CA/CE/BU ZC2	1
	<i>GS8108180</i>	<i>KIT,1-1/4,T21,CE/CA/VI 3X2, 4X3L ZC2</i>	<i>1</i>
17	GX5077400	CAPSCRW,SH,1/2-13X1-3/4,BLK OX SCKT HD	4
18	GX5077100	CAPSCRW,HX,3/8-16X1,18-8SS HX HD	4
	GX5077200	CAPSCRW,HX,3/8-16X1-1/4,18-8SS HX HD	4
22	SW8107682	RING,WEAR,3X2 4X3 L ,SS,STUFF BX ZC2 ZCH2	1
23	SX8204302	STUFFING BOX,SS,JM,SGL SEAL ZC2	1
24	GX5041900	GASKET,4X3X1 32,N-8090,STFBX STUFFING BOX	1
26	GX5077100	CAPSCRW,HX,3/8-16X1,18-8SS HX HD	12
27	GX5077100	CAPSCRW,HX,3/8-16X1,18-8SS HX HD	4



Ref #	Component
1	Casing
2	Cover
3	Impeller
4	Adapter
5	Wear Ring (Casing)
6	Shaft Sleeve
7	Impeller Screw
8	Slinger
9	Gasket, Casing
10	Gasket, Impeller Screw
11	O-Ring, Shaft Sleeve
12	Splashplate
13	Key, Impeller
14	Seal Kit
17	Capscrew (Motor/Adapter)
18	Capscrew (Cover/Adapter)
21*	O-Ring, Shaft Sleeve
22**	Wear Ring (Cover)
23	Stuffing Box
24	Gasket, Stuffing Box
26	Capscrew (Casing/Cover)
27	Capscrew (Cover/Stuffing Box)

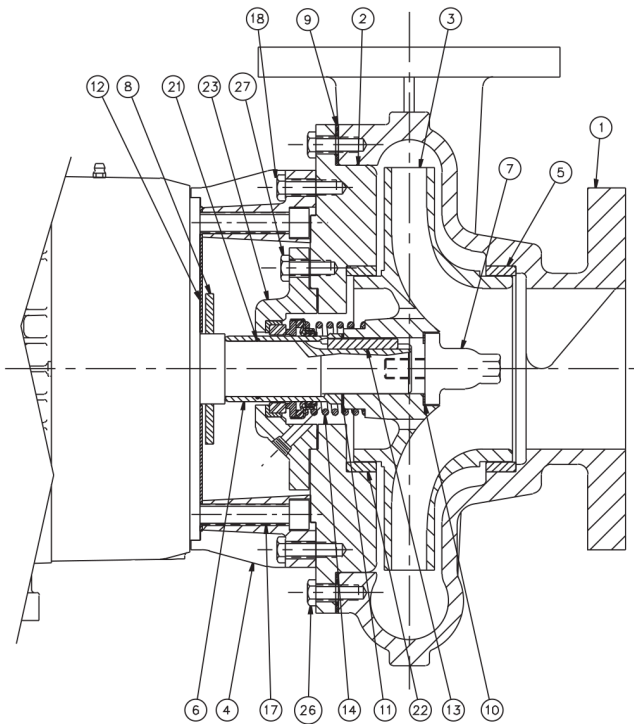
\* ZCH2 Only

\*\* Not Required for 1-1/2 x 1-1/2 Models

**Exploded View**

*Optional Items Shown in ITALICS*

Ref #	Component Item No.	Description	Qty Per
1	SV8402402	CASING,4X3L,SS ZC2	1
2	SC8402262	COVER,4X3L,SS,JM ZC2	1
3	SI8303702	IMPELLER,4X3L,SS,T21 ZC2	1
4	GX8400951	ADAPTER,100 JM FRAME ZC2	1
	<i>SX8400952</i>	<i>ADAPTER,100 JM FRAME,SS ZC2</i>	1
5	SW8107682	RING,WEAR,3X2 4X3 L ,SS,STUFF BX ZC2 ZCH2	1
6	SX8107752	SLEEVE,SHFT,4X3L,SS ZC2	1
7	SI8107742	SCREW,32 43C 43L 3310,IMP,SS ZC2 RC2	1
8	GX5042301	SLINGER,1-7 32X3-1 4X5 32 80 DUR (180JM-210JM)	1
9	GX5106200	GASKET,3X2,CVR,CASING 10-1 8X 12-1 8 X 1 16 N-8090	1
10	GX5040500	GASKET,IMP SCRW,7 8X1-3 8X1 32	1
11	GX5040000	GASKET,7 8X1-1 2X1 32,N-8090	1
12	GX5091400	SPLASHPLATE,EC2 KC2 RC2 ZC2,SS FR213-256	1
13	GX5051300	KEY,IMP, .187SQX1.5 EC KC RC ZC	1
14	GS8107860	KIT,1-1 4,3X2,T21,CA CE BU ZC2	1
	<i>GS8108180</i>	<i>KIT,1-1 4,T21,CE CA VI 3X2, 4X3L ZC2</i>	1
17	GX5077100	CAPSCRW,HX,3 8-16X1,18-8SS HX HD	4
18	GX5077100	CAPSCRW,HX,3 8-16X1,18-8SS HX HD	8
21	GX5038500	O-RING, .989X1.29X.070,BUNA 70 DUR, IMP SCRW	1
	<i>GX5038502</i>	<i>O-RING,T21,1-1 4,EPDM (2-022)</i>	1
	<i>GX5038501</i>	<i>O-RING,43 252 325,VIT,FDA CMPL DC3 ZC2</i>	1
22	SW8107682	RING,WEAR,3X2 4X3 L ,SS,STUFF BX ZC2 ZCH2	1
23	SX8204302	STUFFING BOX,SS,JM,SGL SEAL ZC2	1
24	GX5041900	GASKET,4X3X1 32,N-8090,STFBX STUFFING BOX	1
26	GX5077100	CAPSCRW,HX,3 8-16X1,18-8SS HX HD	12
27	GX5077100	CAPSCRW,HX,3 8-16X1,18-8SS HX HD	4



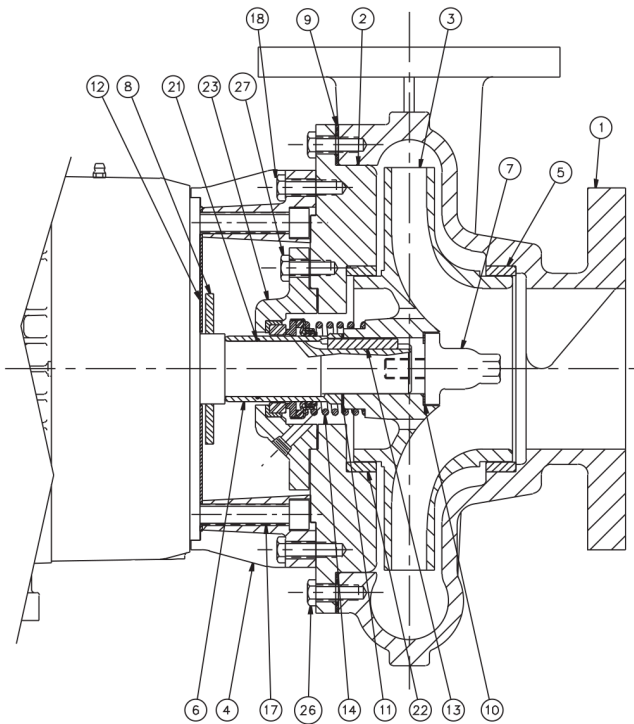
Ref #	Component
1	Casing
2	Cover
3	Impeller
4	Adapter
5	Wear Ring (Casing)
6	Shaft Sleeve
7	Impeller Screw
8	Slinger
9	Gasket, Casing
10	Gasket, Impeller Screw
11	O-Ring, Shaft Sleeve
12	Splashplate
13	Key, Impeller
14	Seal Kit
17	Capscrew (Motor/Adapter)
18	Capscrew (Cover/Adapter)
21*	O-Ring, Shaft Sleeve
22**	Wear Ring (Cover)
23	Stuffing Box
24	Gasket, Stuffing Box
26	Capscrew (Casing/Cover)
27	Capscrew (Cover/Stuffing Box)

\* ZCH2 Only  
\*\* Not Required for 1-1/2 x 1-1/2 Models

**Exploded View**

*Optional Items Shown in ITALICS*

Ref #	Component Item No.	Description	Qty Per
1	SV8402402	CASING,4X3L,SS ZC2	1
2	SC8402262	COVER,4X3L,SS,JM ZC2	1
3	SI8303702	IMPELLER,4X3L,SS,T21 ZC2	1
4	GX8301391	ADAPTER,210 JM FRAME ZC2	1
	<i>SX8301392</i>	<i>ADAPTER,210 JM FRAME,SS ZC2</i>	<i>1</i>
5	SW8107682	RING,WEAR,3X2 4X3 L ,SS,STUFF BX ZC2 ZCH2	1
6	SX8107752	SLEEVE,SHFT,4X3L,SS ZC2	1
7	SI8107742	SCREW,32 43C 43L 3310,IMP,SS ZC2 RC2	1
8	GX5042301	SLINGER,1-7 32X3-1 4X5 32 80 DUR (180JM-210JM)	1
9	GX5106200	GASKET,3X2,CVR,CASING 10-1 8X 12-1 8 X 1 16 N-8090	1
10	GX5040500	GASKET,IMP SCRW,7 8X1-3 8X1 32	1
11	GX5040000	GASKET,7 8X1-1 2X1 32,N-8090	1
12	GX5091400	SPLASHPLATE,EC2 KC2 RC2 ZC2,SS FR213-256	1
13	GX5051300	KEY,IMP,187SQX1.5 EC KC RC ZC	1
14	GS8107860	KIT,1-1 4,3X2,T21,CA CE BU ZC2	1
	<i>GS8108180</i>	<i>KIT,1-1 4,T21,CE CA VI 3X2, 4X3L ZC2</i>	<i>1</i>
17	GX5077400	CAPSCRW,SH,1 2-13X1-3 4,BLK OX SCKT HD	4
18	GX5077100	CAPSCRW,HX,3 8-16X1,18-8SS HX HD	4
	GX5077200	CAPSCRW,HX,3 8-16X1-1 4,18-8SS HX HD	4
22	SW8107682	RING,WEAR,3X2 4X3 L ,SS,STUFF BX ZC2 ZCH2	1
23	SX8204302	STUFFING BOX,SS,JM,SGL SEAL ZC2	1
24	GX5041900	GASKET,4X3X1 32,N-8090,STFBX STUFFING BOX	1
26	GX5077100	CAPSCRW,HX,3 8-16X1,18-8SS HX HD	12
27	GX5077100	CAPSCRW,HX,3 8-16X1,18-8SS HX HD	4



Ref #	Component
1	Casing
2	Cover
3	Impeller
4	Adapter
5	Wear Ring (Casing)
6	Shaft Sleeve
7	Impeller Screw
8	Slinger
9	Gasket, Casing
10	Gasket, Impeller Screw
11	O-Ring, Shaft Sleeve
12	Splashplate
13	Key, Impeller
14	Seal Kit
17	Capscrew (Motor/Adapter)
18	Capscrew (Cover/Adapter)
21*	O-Ring, Shaft Sleeve
22**	Wear Ring (Cover)
23	Stuffing Box
24	Gasket, Stuffing Box
26	Capscrew (Casing/Cover)
27	Capscrew (Cover/Stuffing Box)

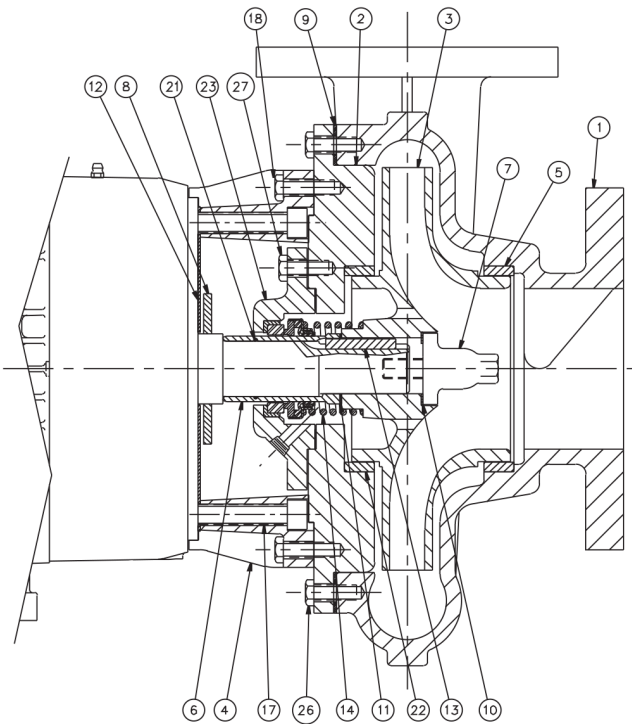
\* ZCH2 Only

\*\* Not Required for 1-1/2 x 1-1/2 Models

**Exploded View**

*Optional Items Shown in ITALICS*

Ref #	Component Item No.	Description	Qty Per
1	SV8404382	CASING,5X4P,SS ZCH2	1
2	SC8404592	COVER,5X4P,SS ZCH2	1
3	SI8404422	IMPELLER,5X4P ZC2	1
4	GX8301391	ADAPTER,210 JM FRAME ZC2	1
	<i>SX8301392</i>	<i>ADAPTER,210 JM FRAME,SS ZC2</i>	<i>1</i>
5	SW8110532	RING,WEAR,5X4P,SS ZC2 ZCH2 5X4P	1
6	SX8103721	SLEEVE,SHFT,SS ZC2	1
7	SI8107270	SCREW,IMP,SS DC2 EC2 KC2 MC3 ZC2	1
8	GX5042301	SLINGER,1-7/32X3-1/4X5/32 80 DUR (180JM-210JM)	1
9	GX8205561	GASKET,54P,CVR ZC2 ZCH2	1
10	GX5102500	O-RING,54P/215/252/327/428,BUN MC3	1
11	GX5098300	O-RING,T21,1-1/4,BUNA,SLV	1
	<i>GX5098301</i>	<i>O-RING,T21,1-1/4,EPDM,SLV (1-1/4 X 1-3/8 X 1/16)</i>	<i>1</i>
	<i>GX5098302</i>	<i>O-RING,43/252/325,VIT DC3</i>	<i>1</i>
12	GX5091400	SPLASHPLATE,EC2 KC2 RC2 ZC2,SS FR213-256	1
13	GX5051300	KEY,IMP, .187SQX1.5 EC KC RC ZC	1
14	GS8110708	KIT,1-1/4,54P,T21,CE/CA/BU ZC2	1
17	GX5077400	CAPSCRW,SH,1/2-13X1-3/4,BLK OX SCKT HD	4
18	GX5077100	CAPSCRW,HX,3/8-16X1,18-8SS HX HD	4
	GX5077200	CAPSCRW,HX,3/8-16X1-1/4,18-8SS HX HD	4
22	SW8110532	RING,WEAR,5X4P,SS ZC2 ZCH2 5X4P	1
23	SX8204302	STUFFING BOX,SS,JM,SGL SEAL ZC2	1
24	GX5041900	GASKET,4X3X1/32,N-8090,STFBX STUFFING BOX	1
26	SC1710H-SS	CAPSCRW,HX,1/2-13X1,18-8SS HX HD	4
27	GX5077100	CAPSCRW,HX,3/8-16X1,18-8SS HX HD	4



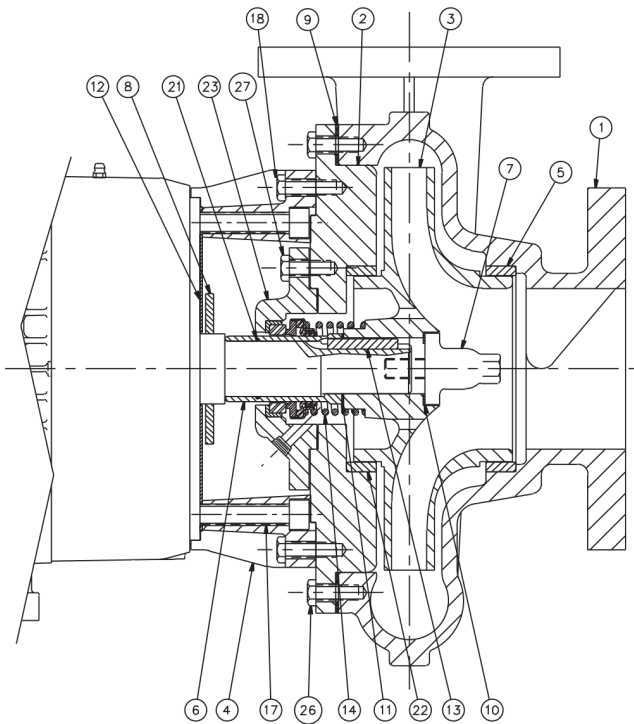
Ref #	Component
1	Casing
2	Cover
3	Impeller
4	Adapter
5	Wear Ring (Casing)
6	Shaft Sleeve
7	Impeller Screw
8	Slinger
9	Gasket, Casing
10	Gasket, Impeller Screw
11	O-Ring, Shaft Sleeve
12	Splashplate
13	Key, Impeller
14	Seal Kit
17	Capscrew (Motor/Adapter)
18	Capscrew (Cover/Adapter)
21*	O-Ring, Shaft Sleeve
22**	Wear Ring (Cover)
23	Stuffing Box
24	Gasket, Stuffing Box
26	Capscrew (Casing/Cover)
27	Capscrew (Cover/Stuffing Box)

\* ZCH2 Only  
\*\* Not Required for 1-1/2 x 1-1/2 Models

**Exploded View**

*Optional Items Shown in ITALICS*

Ref #	Component Item No.	Description	Qty Per
1	SV8402452	CASING,1-1/2X1-1/2,SS ZC2	1
2	SC8402182	COVER,1-1/2X1-1/2,SS,JM ZC2	1
3	SI8303862	***OBSOLETE*** IMPELLER,1-1/2X1-1/2,SS	1
4	GX8401251	ADAPTER,250 JM FRAME ZCH2	1
	<i>SX8401252</i>	<i>ADAPTER,250 JM FRAME,SS NS ZCH2</i>	1
5	SW8101562	RING,WEAR,1-1/2X1-1/2,SS ZC2 ZCH2 1-1/2X1-1/2	1
6	SX8107642	SLEEVE,SHFT,4X3L,SS,JM FRM ZCH2	1
7	SI8102722	SCREW,IMP,SS DCH2 RCH2 ZCH2	1
8	GX5098700	SLINGER,1-23/32X3-3/4X 3/16 ZCH2	1
9	GX5041300	GASKET,9-1/4 X 10 X1/16,N-8090	1
10	GX5041600	GASKET,1-1/4X1-3/4X1/321/4 KEYSLOT,SLV/IMP	1
11	GX5099300	O-RING,1-3/8X1-1/2X1/16,BUNA SLEEVE	1
	<i>GX5099301</i>	<i>O-RING,T1 T21,1-5/8,EPDM,SLV (1-3/8 X 1-1/2 X 1/16)</i>	1
	<i>GX5099302</i>	<i>O-RING,33/43,VIT,FDA COMPL DCH3</i>	1
12	GX5091400	SPLASHPLATE,EC2 KC2 RC2 ZC2,SS FR213-256	1
13	GX5051200	KEY,IMPLR/SLV,2.0X.25X.25 304-SS	1
14	GS8107720	KIT,1-5/8,22,T21L,CE/CA/BU ZCH2	1
	<i>GS8107720-316SS</i>	<i>KIT,1-5/8,22,T21L,CE/CA/BU,316 SS MET ZCH2</i>	1
	<i>GS8107760</i>	<i>KIT,1-5/8,T21L,CE/CA/VI ZCH2</i>	1
	<i>GS8111210-316SS</i>	<i>KIT,1-5/8,T21L,TC/SC/BU,316SS MET ZCH2 (2X2,43C)</i>	1
21	GX5099300	O-RING,1-3/8X1-1/2X1/16,BUNA SLEEVE	1
	<i>GX5099301</i>	<i>O-RING,T1 T21,1-5/8,EPDM,SLV (1-3/8 X 1-1/2 X 1/16)</i>	1
	<i>GX5099302</i>	<i>O-RING,33/43,VIT,FDA COMPL DCH3</i>	1
22	SW8101562	RING,WEAR,1-1/2X1-1/2,SS ZC2 ZCH2 1-1/2X1-1/2	1
23	SX8204232	STUFFING BOX,SS,JM,SGL SEAL ZCH2	1
24	GX5041900	GASKET,4X3X1/32,N-8090,STFBX STUFFING BOX	1



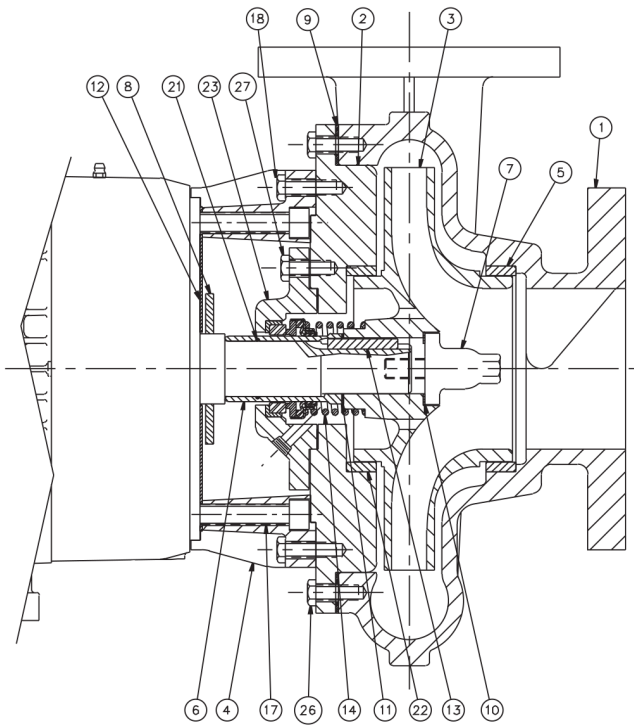
Ref #	Component
1	Casing
2	Cover
3	Impeller
4	Adapter
5	Wear Ring (Casing)
6	Shaft Sleeve
7	Impeller Screw
8	Slinger
9	Gasket, Casing
10	Gasket, Impeller Screw
11	O-Ring, Shaft Sleeve
12	Splashplate
13	Key, Impeller
14	Seal Kit
17	Capscrew (Motor/Adapter)
18	Capscrew (Cover/Adapter)
21*	O-Ring, Shaft Sleeve
22**	Wear Ring (Cover)
23	Stuffing Box
24	Gasket, Stuffing Box
26	Capscrew (Casing/Cover)
27	Capscrew (Cover/Stuffing Box)

\* ZCH2 Only  
\*\* Not Required for 1-1/2 x 1-1/2 Models

**Exploded View**

*Optional Items Shown in ITALICS*

Ref #	Component Item No.	Description	Qty Per
1	SV8402162	CASING,2X2,SS ZC2	1
2	SC8402182	COVER,1-1/2X1-1/2,SS,JM ZC2	1
3	SI8302392	IMPELLER,2X2,T21,SS ZCH2	1
4	GX8401251	ADAPTER,250 JM FRAME ZCH2	1
	<i>SX8401252</i>	<i>ADAPTER,250 JM FRAME,SS NS ZCH2</i>	<i>1</i>
5	SW8100115	RING,WEAR,2 SUCTION,SS ZC2 ZCH2 2X2	1
6	SX8107642	SLEEVE,SHFT,4X3L,SS,JM FRM ZCH2	1
7	SI8102722	SCREW,IMP,SS DCH2 RCH2 ZCH2	1
8	GX5098700	SLINGER,1-23/32X3-3/4X 3/16 ZCH2	1
9	GX5041300	GASKET,9-1/4 X 10 X1/16,N-8090	1
10	GX5041400	GASKET,IMP SCRW,1-1/4X1-13/16 X1/32	1
11	GX5041600	GASKET,1-1/4X1-3/4X1/321/4 KEYSLOT,SLV/IMP	1
12	GX5091400	SPLASHPLATE,EC2/KC2/RC2/ZC2,SS FR213-256	1
13	GX5051200	KEY,IMPLR/SLV,2.0X.25X.25 304-SS	1
14	GS8107720	KIT,1-5/8,22,T21L,CE/CA/BU ZCH2	1
	<i>GS8107720-316SS</i>	<i>KIT,1-5/8,22,T21L,CE/CA/BU,316 SS MET ZCH2</i>	<i>1</i>
	<i>GS8107760</i>	<i>KIT,1-5/8,T21L,CE/CA/VI ZCH2</i>	<i>1</i>
	<i>GS8111210-316SS</i>	<i>KIT,1-5/8,T21L,TC/SC/BU,316SS MET ZCH2 (2X2,43C)</i>	<i>1</i>
17	GX5077500	CAPSCRW,SH,1/2-13X3,BLK OX SCKT HD	4
18	GX5077200	CAPSCRW,HX,3/8-16X1-1/4,18-8SS HX HD	8
21	GX5099300	O-RING,1-3/8X1-1/2X1/16,BUNA SLEEVE	1
	<i>GX5099301</i>	<i>O-RING,T1 T21,1-5/8,EPDM,SLV (1-3/8 X 1-1/2 X 1/16)</i>	<i>1</i>
	<i>GX5099302</i>	<i>O-RING,33/43,VIT,FDA COMPL DCH3</i>	<i>1</i>
22	SW8100115	RING,WEAR,2 SUCTION,SS ZC2 ZCH2 2X2	1
23	SX8204232	STUFFING BOX,SS,JM,SGL SEAL ZCH2	1
24	GX5041900	GASKET,4X3X1/32,N-8090,STFBX STUFFING BOX	1
26	GX5077100	CAPSCRW,HX,3/8-16X1,18-8SS HX HD	8



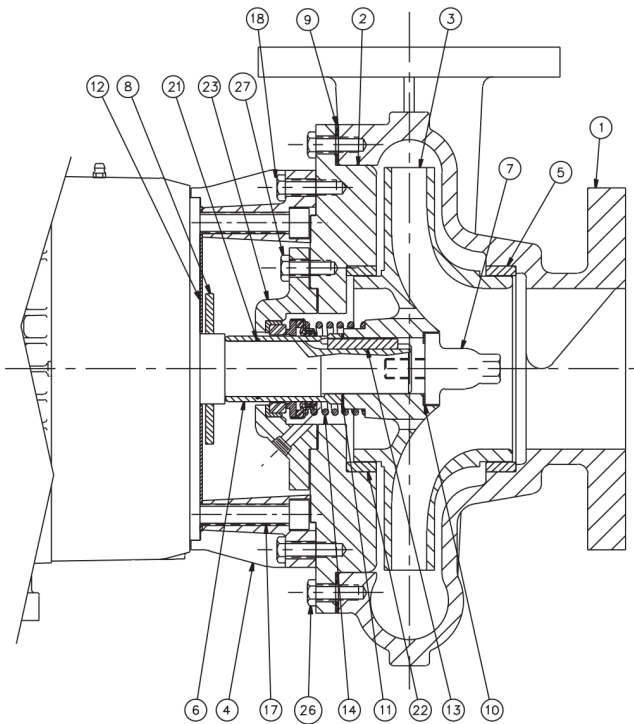
Ref #	Component
1	Casing
2	Cover
3	Impeller
4	Adapter
5	Wear Ring (Casing)
6	Shaft Sleeve
7	Impeller Screw
8	Slinger
9	Gasket, Casing
10	Gasket, Impeller Screw
11	O-Ring, Shaft Sleeve
12	Splashplate
13	Key, Impeller
14	Seal Kit
17	Capscrew (Motor/Adapter)
18	Capscrew (Cover/Adapter)
21*	O-Ring, Shaft Sleeve
22**	Wear Ring (Cover)
23	Stuffing Box
24	Gasket, Stuffing Box
26	Capscrew (Casing/Cover)
27	Capscrew (Cover/Stuffing Box)

\* ZCH2 Only  
\*\* Not Required for 1-1/2 x 1-1/2 Models

**Exploded View**

*Optional Items Shown in ITALICS*

Ref #	Component Item No.	Description	Qty Per
27	<i>GX5077100</i>	<i>CAPSCRW,HX,3/8-16X1,18-8SS HX HD</i>	4



Ref #	Component
1	Casing
2	Cover
3	Impeller
4	Adapter
5	Wear Ring (Casing)
6	Shaft Sleeve
7	Impeller Screw
8	Slinger
9	Gasket, Casing
10	Gasket, Impeller Screw
11	O-Ring, Shaft Sleeve
12	Splashplate
13	Key, Impeller
14	Seal Kit
17	Capscrew (Motor/Adapter)
18	Capscrew (Cover/Adapter)
21*	O-Ring, Shaft Sleeve
22**	Wear Ring (Cover)
23	Stuffing Box
24	Gasket, Stuffing Box
26	Capscrew (Casing/Cover)
27	Capscrew (Cover/Stuffing Box)

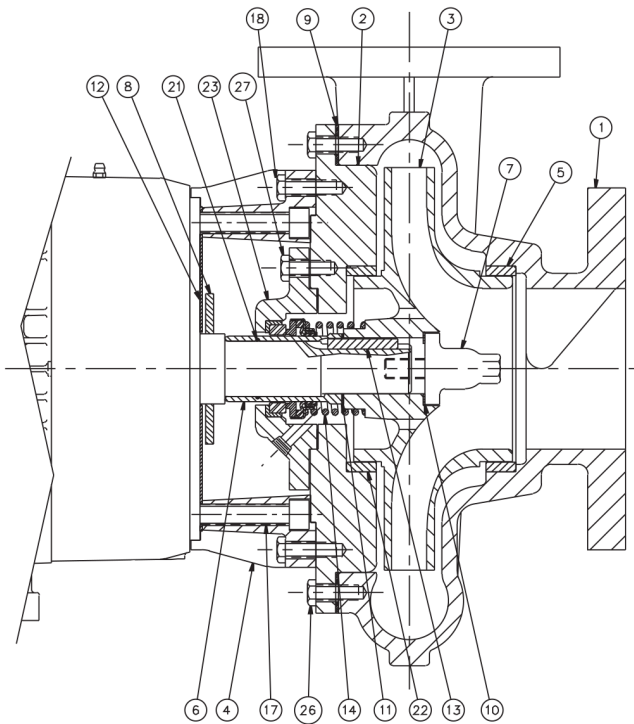
\* ZCH2 Only

\*\* Not Required for 1-1/2 x 1-1/2 Models

**Exploded View**

*Optional Items Shown in ITALICS*

Ref #	Component Item No.	Description	Qty Per
1	SV8402162	CASING,2X2,SS ZC2	1
2	SC8402182	COVER,1-1/2X1-1/2,SS,JM ZC2	1
3	SI8302392	IMPELLER,2X2,T21,SS ZCH2	1
4	GX8401361	ADAPTER,280 JM FRAME ZCH2	1
5	SW8100115	RING,WEAR,2 SUCTION,SS ZC2 ZCH2 2X2	1
6	SX8107642	SLEEVE,SHFT,4X3L,SS,JM FRM ZCH2	1
7	SI8102722	SCREW,IMP,SS DCH2 RCH2 ZCH2	1
8	GX5098700	SLINGER,1-23/32X3-3/4X 3/16 ZCH2	1
9	GX5041300	GASKET,9-1/4 X 10 X1/16,N-8090	1
10	GX5041400	GASKET,IMP SCRW,1-1/4X1-13/16 X1/32	1
11	GX5041600	GASKET,1-1/4X1-3/4X1/321/4 KEYSLOT,SLV/IMP	1
12	SX8101072	SPLASHPLATE,280JM FRM ZCH2	1
13	GX5051200	KEY,IMPLR/SLV,2.0X.25X.25 304-SS	1
14	GS8107720	KIT,1-5/8,22,T21L,CE/CA/BU ZCH2	1
	GS8107720-316SS	<i>KIT,1-5/8,22,T21L,CE/CA/BU,316 SS MET ZCH2</i>	<i>1</i>
	GS8107760	<i>KIT,1-5/8,T21L,CE/CA/VI ZCH2</i>	<i>1</i>
	GS8111210-316SS	<i>KIT,1-5/8,T21L,TC/SC/BU,316SS MET ZCH2 (2X2,43C)</i>	<i>1</i>
17	GX5076700	CAPSCRW,HX,5/8-11X1-1/2,18-8SS HX HD	4
18	GX5077200	CAPSCRW,HX,3/8-16X1-1/4,18-8SS HX HD	8
21	GX5099300	O-RING,1-3/8X1-1/2X1/16,BUNA SLEEVE	1
	GX5099301	<i>O-RING,T1 T21,1-5/8,EPDM,SLV (1-3/8 X 1-1/2 X 1/16)</i>	<i>1</i>
	GX5099302	<i>O-RING,33/43,VIT,FDA COMPL DCH3</i>	<i>1</i>
22	SW8100115	RING,WEAR,2 SUCTION,SS ZC2 ZCH2 2X2	1
23	SX8204232	STUFFING BOX,SS,JM,SGL SEAL ZCH2	1
24	GX5041900	GASKET,4X3X1/32,N-8090,STFBX STUFFING BOX	1
26	GX5077100	CAPSCRW,HX,3/8-16X1,18-8SS HX HD	8
27	GX5077100	CAPSCRW,HX,3/8-16X1,18-8SS HX HD	4



Ref #	Component
1	Casing
2	Cover
3	Impeller
4	Adapter
5	Wear Ring (Casing)
6	Shaft Sleeve
7	Impeller Screw
8	Slinger
9	Gasket, Casing
10	Gasket, Impeller Screw
11	O-Ring, Shaft Sleeve
12	Splashplate
13	Key, Impeller
14	Seal Kit
17	Capscrew (Motor/Adapter)
18	Capscrew (Cover/Adapter)
21*	O-Ring, Shaft Sleeve
22**	Wear Ring (Cover)
23	Stuffing Box
24	Gasket, Stuffing Box
26	Capscrew (Casing/Cover)
27	Capscrew (Cover/Stuffing Box)

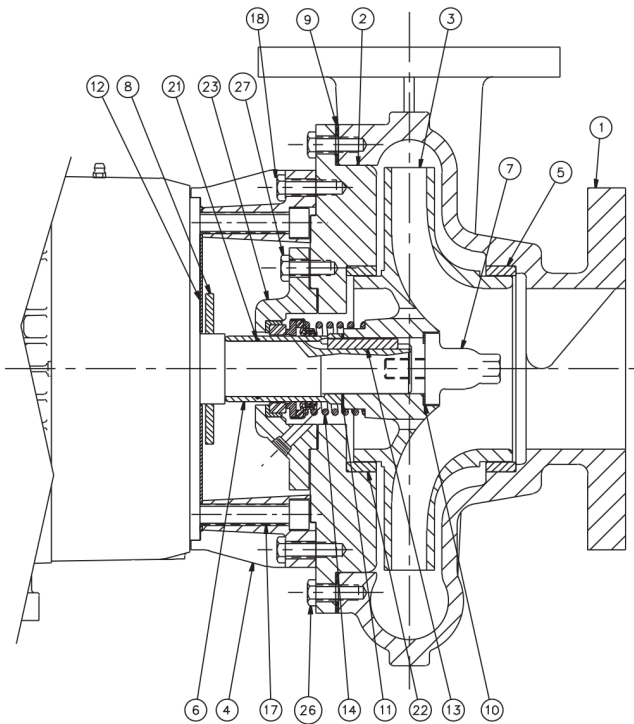
\* ZCH2 Only

\*\* Not Required for 1-1/2 x 1-1/2 Models

**Exploded View**

*Optional Items Shown in ITALICS*

Ref #	Component Item No.	Description	Qty Per
1	SV8402242	CASING,3X2,SS ZC2	1
2	SC8402262	COVER,4X3L,SS,JM ZC2	1
3	SI8303472	IMPELLER,3X2,SS,T21 ZCH2	1
4	GX8401251	ADAPTER,250 JM FRAME ZCH2	1
	<i>SX8401252</i>	<i>ADAPTER,250 JM FRAME,SS NS ZCH2</i>	<i>1</i>
5	SW8107662	RING,WEAR,3X2,SS ZC2 ZCH2 3X2	1
6	SX8107642	SLEEVE,SHFT,4X3L,SS,JM FRM ZCH2	1
7	SI8107732	SCREW,32 43L/54P/3310,IMP,SS ZCH2 RCH2	1
8	GX5098700	SLINGER,1-23/32X3-3/4X 3/16 ZCH2	1
9	GX5106200	GASKET,3X2,CVR,CASING 10-1/8X 12-1/8 X 1/16 N-8090	1
10	GX5041400	GASKET,IMP SCRW,1-1/4X1-13/16 X1/32	1
11	GX5041600	GASKET,1-1/4X1-3/4X1/32 1/4 KEYSLOT,SLV/IMP	1
12	GX5091400	SPLASHPLATE,EC2/KC2/RC2/ZC2,SS FR213-256	1
13	GX5051200	KEY,IMPLR/SLV,2.0X.25X.25 304-SS	1
14	GS8107770	KIT,1-5/8,T21L,CE/CA/BU ZCH2 32	1
	<i>GS8107770-316SS</i>	<i>KIT,1-5/8,32,T21L,CE/CA/BU 316SS MET ZCH2</i>	<i>1</i>
	<i>GS8107780</i>	<i>KIT,1-5/8,T21,CE/CA/VI ZCH2 43L</i>	<i>1</i>
17	GX5077500	CAPSCRW,SH,1/2-13X3,BLK OX SCKT HD	4
18	GX5077200	CAPSCRW,HX,3/8-16X1-1/4,18-8SS HX HD	8
21	GX5099300	O-RING,1-3/8X1-1/2X1/16,BUNA SLEEVE	1
	<i>GX5099301</i>	<i>O-RING,T1 T21,1-5/8,EPDM,SLV (1-3/8 X 1-1/2 X 1/16)</i>	<i>1</i>
	<i>GX5099302</i>	<i>O-RING,33/43,VIT,FDA COMPL DCH3</i>	<i>1</i>
22	SW8107682	RING,WEAR,3X2 4X3 L,SS,STUFF BX ZC2 ZCH2	1
23	SX8204232	STUFFING BOX,SS,JM,SGL SEAL ZCH2	1
24	GX5041900	GASKET,4X3X1/32,N-8090,STFBX STUFFING BOX	1
26	GX5077100	CAPSCRW,HX,3/8-16X1,18-8SS HX HD	12
27	GX5077100	CAPSCRW,HX,3/8-16X1,18-8SS HX HD	4



Ref #	Component
1	Casing
2	Cover
3	Impeller
4	Adapter
5	Wear Ring (Casing)
6	Shaft Sleeve
7	Impeller Screw
8	Slinger
9	Gasket, Casing
10	Gasket, Impeller Screw
11	O-Ring, Shaft Sleeve
12	Splashplate
13	Key, Impeller
14	Seal Kit
17	Capscrew (Motor/Adapter)
18	Capscrew (Cover/Adapter)
21*	O-Ring, Shaft Sleeve
22**	Wear Ring (Cover)
23	Stuffing Box
24	Gasket, Stuffing Box
26	Capscrew (Casing/Cover)
27	Capscrew (Cover/Stuffing Box)

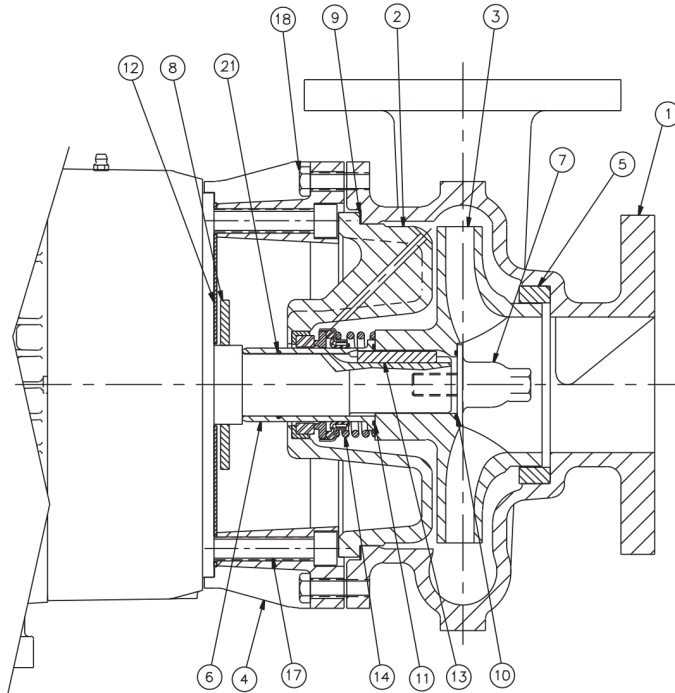
\* ZCH2 Only

\*\* Not Required for 1-1/2 x 1-1/2 Models

**Exploded View**

*Optional Items Shown in ITALICS*

Ref #	Component Item No.	Description	Qty Per
1	SV8402242	CASING,3X2,SS ZC2	1
2	SC8402262	COVER,4X3L,SS,JM ZC2	1
3	SI8303472	IMPELLER,3X2,SS,T21 ZCH2	1
4	GX8401361	ADAPTER,280 JM FRAME ZCH2	1
5	SW8107662	RING,WEAR,3X2,SS ZC2 ZCH2 3X2	1
6	SX8107642	SLEEVE,SHFT,4X3L,SS,JM FRM ZCH2	1
7	SI8107732	SCREW,32/43L/54P/3310,IMP,SS ZCH2 RCH2	1
8	GX5098700	SLINGER,1-23/32X3-3/4X 3/16 ZCH2	1
9	GX5106200	GASKET,3X2,CVR,CASING 10-1/8X 12-1/8 X 1/16 N-8090	1
10	GX5041400	GASKET,IMP SCRW,1-1/4X1-13/16 X1/32	1
11	GX5041600	GASKET,1-1/4X1-3/4X1/32 1/4 KEYSLOT,SLV/IMP	1
12	SX8101072	SPLASHPLATE,280JM FRM ZCH2	1
13	GX5051200	KEY,IMPLR/SLV,2.0X.25X.25 304-SS	1
14	GS8107770	KIT,1-5/8,T21L,CE/CA/BU ZCH2 32	1
	<i>GS8107770-316SS</i>	<i>KIT,1-5/8,32,T21L,CE/CA/BU 316SS MET ZCH2</i>	<i>1</i>
	<i>GS8107780</i>	<i>KIT,1-5/8,T21,CE/CA/VI ZCH2 43L</i>	<i>1</i>
17	GX5076700	CAPSCRW,HX,5/8-11X1-1/2,18-8SS HX HD	4
18	GX5077200	CAPSCRW,HX,3/8-16X1-1/4,18-8SS HX HD	8
21	GX5099300	O-RING,1-3/8X1-1/2X1/16,BUNA SLEEVE	1
	<i>GX5099301</i>	<i>O-RING,T1 T21,1-5/8,EPDM,SLV (1-3/8 X 1-1/2 X 1/16)</i>	<i>1</i>
	<i>GX5099302</i>	<i>O-RING,33/43,VIT,FDA COMPL DCH3</i>	<i>1</i>
22	SW8107682	RING,WEAR,3X2 4X3 L,SS,STUFF BX ZC2 ZCH2	1
23	SX8204232	STUFFING BOX,SS,JM,SGL SEAL ZCH2	1
24	GX5041900	GASKET,4X3X1/32,N-8090,STFBX STUFFING BOX	1
26	GX5077100	CAPSCRW,HX,3/8-16X1,18-8SS HX HD	12
27	GX5077100	CAPSCRW,HX,3/8-16X1,18-8SS HX HD	4



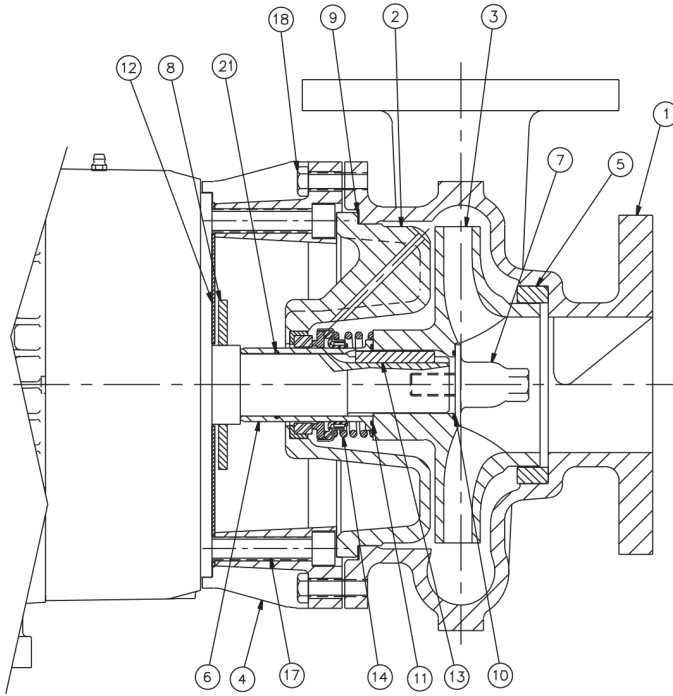
Ref #	Component
1	Casing
2	Cover
3	Impeller
4	Adapter
5	Wear Ring (Casing)
6	Shaft Sleeve
7	Impeller Screw
8	Slinger
9	Gasket, Casing
10	Gasket, Impeller Screw
11	O-Ring, Shaft Sleeve
12	Splashplate
13	Key, Impeller
14	Seal Kit
17	Capscrew (Motor/Adapter)
18	Capscrew (Casing/Adapter)
21*	O-Ring, Shaft Sleeve
22**	Wear Ring (Cover)

\* ZCH2 Only  
\*\* ZC2/ZCH2 4 x 3 Only

**Exploded View**

*Optional Items Shown in ITALICS*

Ref #	Component Item No.	Description	Qty Per
1	SV8400773	CASING,3X2-1/2,SS ZC2	1
2	SC8302581	COVER,3X2-1/2,SS DCH2	1
3	SI8302591	IMPELLER,3X2-1/2,SS (SEE NOTES) DCH2,ZCH2	1
4	GX8401251	ADAPTER,250 JM FRAME ZCH2	1
	<i>SX8401252</i>	<i>ADAPTER,250 JM FRAME,SS NS ZCH2</i>	<i>1</i>
5	SW8100572	RING,WEAR,3 SUCTION,SS ZC2 ZCH2 3X2-1/2	1
6	SX8104421	SLEEVE,SHFT,SS ZCH2	1
7	SI8102722	SCREW,IMP,SS DCH2 RCH2 ZCH2	1
8	GX5098700	SLINGER,1-23/32X3-3/4X 3/16 ZCH2	1
9	GX5041200	GASKET,7-47/64X7-1/8X 1/32 ,N-8090	1
10	GX5099300	O-RING,1-3/8X1-1/2X1/16,BUNA SLEEVE	1
	<i>GX5099301</i>	<i>O-RING,T1 T21,1-5/8,EPDM,SLV (1-3/8 X 1-1/2 X 1/16)</i>	<i>1</i>
	<i>GX5099302</i>	<i>O-RING,33/43,VIT,FDA COMPL DCH3</i>	<i>1</i>
11	GX5099800	O-RING,1-5/8X1-3/4X1/16,BUNA SLEEVE	1
	<i>GX5099802</i>	<i>O-RING,T2 T21,1-5/8,EPDM,SLV (1-5/8 X 1-3/4 X 1/16)</i>	<i>1</i>
	<i>GX5099801</i>	<i>O-RING,33/43,VIT,FDA COMPL DCH3</i>	<i>1</i>
12	GX5091400	SPLASHPLATE,EC2 KC2 RC2 ZC2,SS FR213-256	1
13	GX5051200	KEY,IMPLR/SLV,2.0X.25X.25 304-SS	1
14	GS8105530	KIT,1-5/8,T21,CE/CA/BU ZCH2	1
	<i>GS8105530-316SS</i>	<i>KIT,1-5/8,T21,CE/CA/BU,316SS MET ZCH2</i>	<i>1</i>
	<i>GS8106560</i>	<i>KIT,1-5/8,T21,CE/CA/VI ZCH2</i>	<i>1</i>
	<i>GS8107110</i>	<i>KIT,1-5/8,T21,TC/CA/VI ZCH2</i>	<i>1</i>
	<i>GS8107140</i>	<i>KIT,1-5/8,T21,SC/CA/VI ZCH2 3X2.5 4X3</i>	<i>1</i>
	<i>GS8111200-316SS</i>	<i>KIT,1-5/8,T21,TC/SC/BU,316SS MET ZCH2,3X2.5,4X3</i>	<i>1</i>
17	GX5077500	CAPSCRW,SH,1/2-13X3,BLK OX SCKT HD	4
18	GX5077200	CAPSCRW,HX,3/8-16X1-1/4,18-8SS HX HD	8
21	GX5099300	O-RING,1-3/8X1-1/2X1/16,BUNA SLEEVE	1



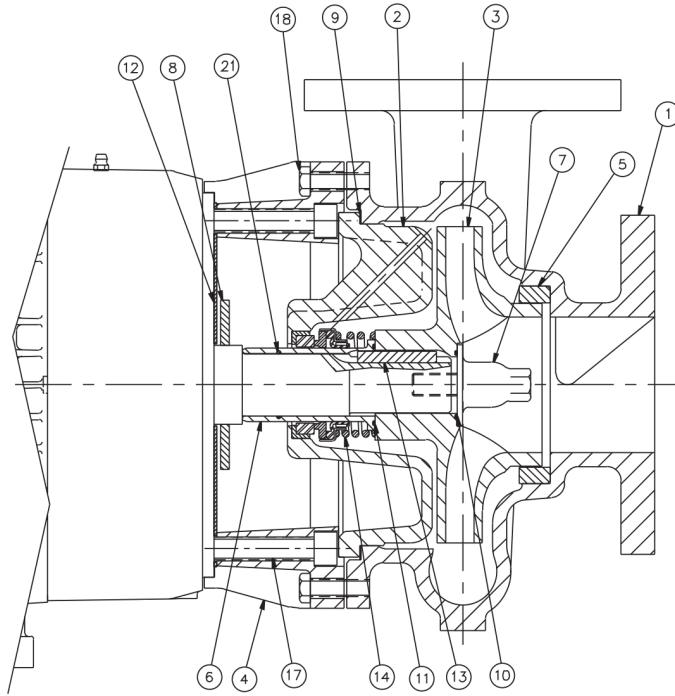
Ref #	Component
1	Casing
2	Cover
3	Impeller
4	Adapter
5	Wear Ring (Casing)
6	Shaft Sleeve
7	Impeller Screw
8	Slinger
9	Gasket, Casing
10	Gasket, Impeller Screw
11	O-Ring, Shaft Sleeve
12	Splashplate
13	Key, Impeller
14	Seal Kit
17	Capscrew (Motor/Adapter)
18	Capscrew (Casing/Adapter)
21*	O-Ring, Shaft Sleeve
22**	Wear Ring (Cover)

\* ZCH2 Only  
\*\* ZC2/ZCH2 4 x 3 Only

**Exploded View**

*Optional Items Shown in ITALICS*

Ref #	Component Item No.	Description	Qty Per
21	GX5099301	<i>O-RING, T1 T21, 1-5/8, EPDM, SLV (1-3/8 X 1-1/2 X 1/16)</i>	1
	GX5099302	<i>O-RING, 33/43, VIT, FDA COMPL DCH3</i>	1



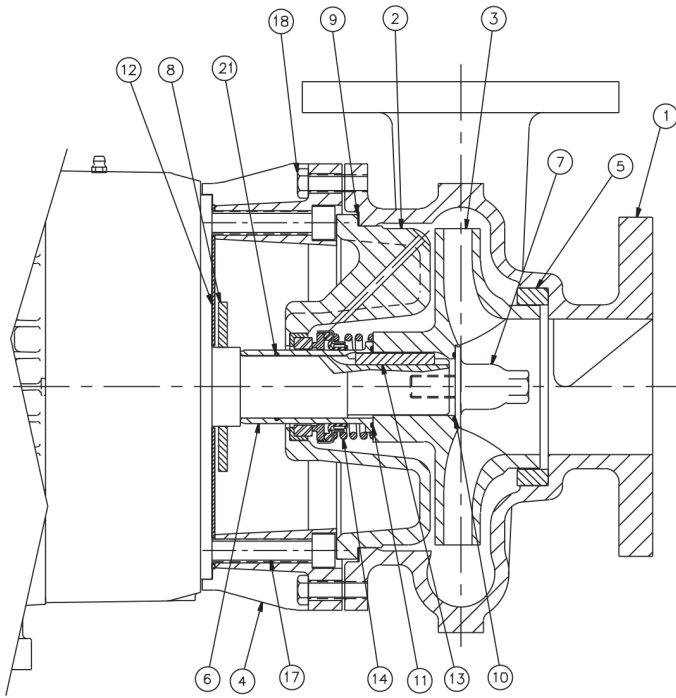
Ref #	Component
1	Casing
2	Cover
3	Impeller
4	Adapter
5	Wear Ring (Casing)
6	Shaft Sleeve
7	Impeller Screw
8	Slinger
9	Gasket, Casing
10	Gasket, Impeller Screw
11	O-Ring, Shaft Sleeve
12	Splashplate
13	Key, Impeller
14	Seal Kit
17	Capscrew (Motor/Adapter)
18	Capscrew (Casing/Adapter)
21*	O-Ring, Shaft Sleeve
22**	Wear Ring (Cover)

\* ZCH2 Only  
\*\* ZC2/ZCH2 4 x 3 Only

**Exploded View**

*Optional Items Shown in ITALICS*

Ref #	Component Item No.	Description	Qty Per
1	SV8400773	CASING,3X2-1/2,SS ZC2	1
2	SC8302581	COVER,3X2-1/2,SS DCH2	1
3	SI8302591	IMPELLER,3X2-1/2,SS (SEE NOTES) DCH2,ZCH2	1
4	GX8401361	ADAPTER,280 JM FRAME ZCH2	1
5	SW8100572	RING,WEAR,3 SUCTION,SS ZC2 ZCH2 3X2-1/2	1
6	SX8104421	SLEEVE,SHFT,SS ZCH2	1
7	SI8102722	SCREW,IMP,SS DCH2 RCH2 ZCH2	1
8	GX5098700	SLINGER,1-23/32X3-3/4X 3/16 ZCH2	1
9	GX5041200	GASKET,7-47/64X7-1/8X 1/32 ,N-8090	1
10	GX5099300	O-RING,1-3/8X1-1/2X1/16,BUNA SLEEVE	1
	<i>GX5099301</i>	<i>O-RING,T1 T21,1-5/8,EPDM,SLV (1-3/8 X 1-1/2 X 1/16)</i>	<i>1</i>
	<i>GX5099302</i>	<i>O-RING,33/43,VIT,FDA COMPL DCH3</i>	<i>1</i>
11	GX5099800	O-RING,1-5/8X1-3/4X1/16,BUNA SLEEVE	1
	<i>GX5099802</i>	<i>O-RING,T2 T21,1-5/8,EPDM,SLV (1-5/8 X 1-3/4 X 1/16)</i>	<i>1</i>
	<i>GX5099801</i>	<i>O-RING,33/43,VIT,FDA COMPL DCH3</i>	<i>1</i>
12	SX8101072	SPLASHPLATE,280JM FRM ZCH2	1
13	GX5051200	KEY,IMPLR/SLV,2.0X.25X.25 304-SS	1
14	GS8105530	KIT,1-5/8,T21,CE/CA/BU ZCH2	1
	<i>GS8105530-316SS</i>	<i>KIT,1-5/8,T21,CE/CA/BU,316SS MET ZCH2</i>	<i>1</i>
	<i>GS8106560</i>	<i>KIT,1-5/8,T21,CE/CA/VI ZCH2</i>	<i>1</i>
	<i>GS8107110</i>	<i>KIT,1-5/8,T21,TC/CA/VI ZCH2</i>	<i>1</i>
	<i>GS8107140</i>	<i>KIT,1-5/8,T21,SC/CA/VI ZCH2 3X2.5 4X3</i>	<i>1</i>
	<i>GS8111200-316SS</i>	<i>KIT,1-5/8,T21,TC/SC/BU,316SS MET ZCH2,3X2.5,4X3</i>	<i>1</i>
17	GX5076700	CAPSCRW,HX,5/8-11X1-1/2,18-8SS HX HD	4
18	GX5077200	CAPSCRW,HX,3/8-16X1-1/4,18-8SS HX HD	8
21	GX5099300	O-RING,1-3/8X1-1/2X1/16,BUNA SLEEVE	1
	<i>GX5099301</i>	<i>O-RING,T1 T21,1-5/8,EPDM,SLV (1-3/8 X 1-1/2 X 1/16)</i>	<i>1</i>



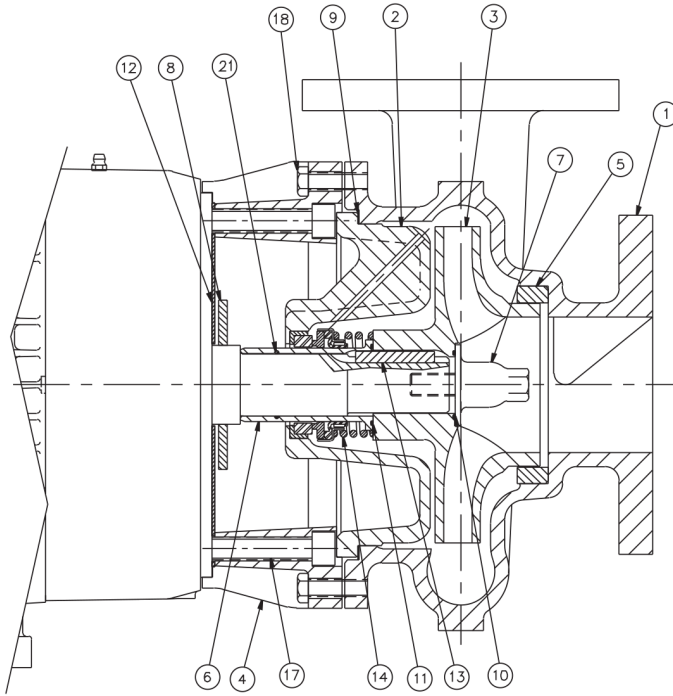
Ref #	Component
1	Casing
2	Cover
3	Impeller
4	Adapter
5	Wear Ring (Casing)
6	Shaft Sleeve
7	Impeller Screw
8	Slinger
9	Gasket, Casing
10	Gasket, Impeller Screw
11	O-Ring, Shaft Sleeve
12	Splashplate
13	Key, Impeller
14	Seal Kit
17	Capscrew (Motor/Adapter)
18	Capscrew (Casing/Adapter)
21*	O-Ring, Shaft Sleeve
22**	Wear Ring (Cover)

\* ZCH2 Only  
\*\* ZC2/ZCH2 4 x 3 Only

**Exploded View**

*Optional Items Shown in ITALICS*

Ref #	Component Item No.	Description	Qty Per
21	<i>GX5099302</i>	<i>O-RING,33/43,VIT,FDA COMPL DCH3</i>	1



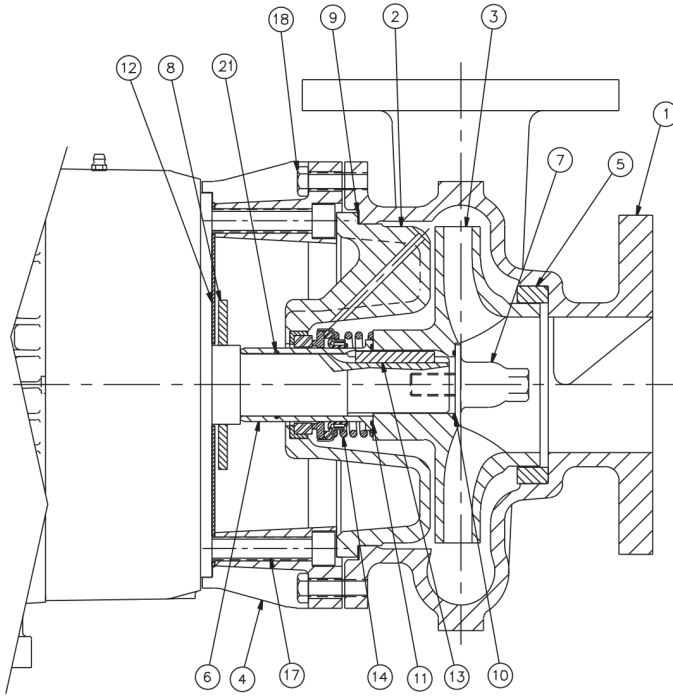
Ref #	Component
1	Casing
2	Cover
3	Impeller
4	Adapter
5	Wear Ring (Casing)
6	Shaft Sleeve
7	Impeller Screw
8	Slinger
9	Gasket, Casing
10	Gasket, Impeller Screw
11	O-Ring, Shaft Sleeve
12	Splashplate
13	Key, Impeller
14	Seal Kit
17	Capscrew (Motor/Adapter)
18	Capscrew (Casing/Adapter)
21*	O-Ring, Shaft Sleeve
22**	Wear Ring (Cover)

\* ZCH2 Only  
\*\* ZC2/ZCH2 4 x 3 Only

**Exploded View**

*Optional Items Shown in ITALICS*

Ref #	Component Item No.	Description	Qty Per
1	SV8400785	CASING,4X3,SS ZC2	1
2	SC8302042	COVER,4X3,SS ZCH2	1
3	SI8302661	IMPELLER,4X3,SS DCH2	1
4	GX8401251	ADAPTER,250 JM FRAME ZCH2	1
	<i>SX8401252</i>	<i>ADAPTER,250 JM FRAME,SS NS ZCH2</i>	1
5	SW8100544	RING,WEAR,4 SUCTION,SS ZC2 ZCH2 4X3	2
6	SX8104421	SLEEVE,SHFT,SS ZCH2	1
7	SI8102722	SCREW,IMP,SS DCH2 RCH2 ZCH2	1
8	GX5098700	SLINGER,1-23/32X3-3/4X 3/16 ZCH2	1
9	GX5041200	GASKET,7-47/64X7-1/8X 1/32 ,N-8090	1
10	GX5099300	O-RING,1-3/8X1-1/2X1/16,BUNA SLEEVE	1
	<i>GX5099301</i>	<i>O-RING,T1 T21,1-5/8,EPDM,SLV (1-3/8 X 1-1/2 X 1/16)</i>	1
	<i>GX5099302</i>	<i>O-RING,33/43,VIT,FDA COMPL DCH3</i>	1
11	GX5099800	O-RING,1-5/8X1-3/4X1/16,BUNA SLEEVE	1
	<i>GX5099802</i>	<i>O-RING,T2 T21,1-5/8,EPDM,SLV (1-5/8 X 1-3/4 X 1/16)</i>	1
	<i>GX5099801</i>	<i>O-RING,33/43,VIT,FDA COMPL DCH3</i>	1
12	GX5091400	SPLASHPLATE,EC2 KC2 RC2 ZC2,SS FR213-256	1
13	GX5051200	KEY,IMPLR/SLV,2.0X.25X.25 304-SS	1
14	GS8105530	KIT,1-5/8,T21,CE/CA/BU ZCH2	1
	<i>GS8105530-316SS</i>	<i>KIT,1-5/8,T21,CE/CA/BU,316SS MET ZCH2</i>	1
	<i>GS8106560</i>	<i>KIT,1-5/8,T21,CE/CA/VI ZCH2</i>	1
	<i>GS8107110</i>	<i>KIT,1-5/8,T21,TC/CA/VI ZCH2</i>	1
	<i>GS8107140</i>	<i>KIT,1-5/8,T21,SC/CA/VI ZCH2 3X2.5 4X3</i>	1
	<i>GS8111200-316SS</i>	<i>KIT,1-5/8,T21,TC/SC/BU,316SS MET ZCH2,3X2.5,4X3</i>	1
17	GX5077500	CAPSCRW,SH,1/2-13X3,BLK OX SCKT HD	4
18	GX5077200	CAPSCRW,HX,3/8-16X1-1/4,18-8SS HX HD	8
21	GX5099300	O-RING,1-3/8X1-1/2X1/16,BUNA SLEEVE	1



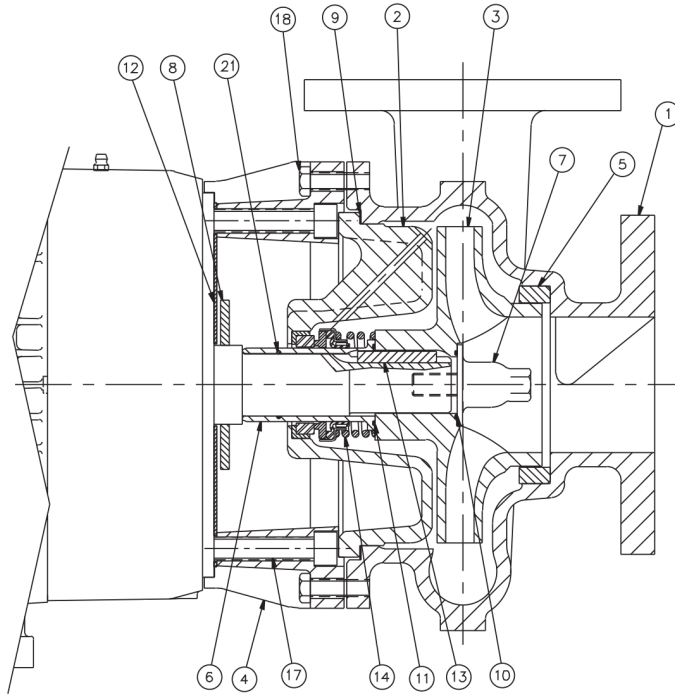
Ref #	Component
1	Casing
2	Cover
3	Impeller
4	Adapter
5	Wear Ring (Casing)
6	Shaft Sleeve
7	Impeller Screw
8	Slinger
9	Gasket, Casing
10	Gasket, Impeller Screw
11	O-Ring, Shaft Sleeve
12	Splashplate
13	Key, Impeller
14	Seal Kit
17	Capscrew (Motor/Adapter)
18	Capscrew (Casing/Adapter)
21*	O-Ring, Shaft Sleeve
22**	Wear Ring (Cover)

\* ZCH2 Only  
\*\* ZC2/ZCH2 4 x 3 Only

**Exploded View**

*Optional Items Shown in ITALICS*

Ref #	Component Item No.	Description	Qty Per
21	<i>GX5099301</i>	<i>O-RING, T1 T21, 1-5/8, EPDM, SLV (1-3/8 X 1-1/2 X 1/16)</i>	1
	<i>GX5099302</i>	<i>O-RING, 33/43, VIT, FDA COMPL DCH3</i>	1



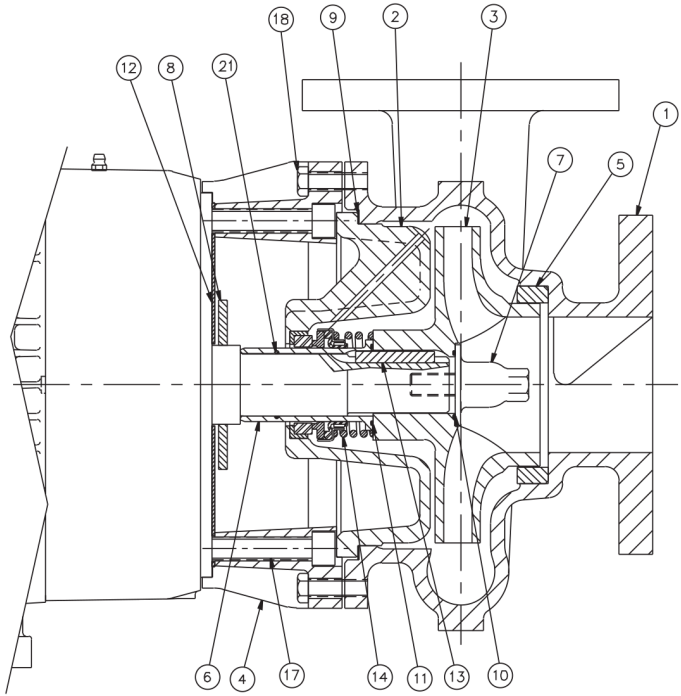
Ref #	Component
1	Casing
2	Cover
3	Impeller
4	Adapter
5	Wear Ring (Casing)
6	Shaft Sleeve
7	Impeller Screw
8	Slinger
9	Gasket, Casing
10	Gasket, Impeller Screw
11	O-Ring, Shaft Sleeve
12	Splashplate
13	Key, Impeller
14	Seal Kit
17	Capscrew (Motor/Adapter)
18	Capscrew (Casing/Adapter)
21*	O-Ring, Shaft Sleeve
22**	Wear Ring (Cover)

\* ZCH2 Only  
\*\* ZC2/ZCH2 4 x 3 Only

**Exploded View**

*Optional Items Shown in ITALICS*

Ref #	Component Item No.	Description	Qty Per
1	SV8400785	CASING,4X3,SS ZC2	1
2	SC8302042	COVER,4X3,SS ZCH2	1
3	SI8302661	IMPELLER,4X3,SS DCH2	1
4	GX8401361	ADAPTER,280 JM FRAME ZCH2	1
5	SW8100544	RING,WEAR,4 SUCTION,SS ZC2 ZCH2 4X3	2
6	SX8104421	SLEEVE,SHFT,SS ZCH2	1
7	SI8102722	SCREW,IMP,SS DCH2 RCH2 ZCH2	1
8	GX5098700	SLINGER,1-23/32X3-3/4X 3/16 ZCH2	1
9	GX5041200	GASKET,7-47/64X7-1/8X 1/32 ,N-8090	1
10	GX5099300	O-RING,1-3/8X1-1/2X1/16,BUNA SLEEVE	1
	<i>GX5099301</i>	<i>O-RING,T1 T21,1-5/8,EPDM,SLV (1-3/8 X 1-1/2 X 1/16)</i>	<i>1</i>
	<i>GX5099302</i>	<i>O-RING,33/43,VIT,FDA COMPL DCH3</i>	<i>1</i>
11	GX5099800	O-RING,1-5/8X1-3/4X1/16,BUNA SLEEVE	1
	<i>GX5099802</i>	<i>O-RING,T2 T21,1-5/8,EPDM,SLV (1-5/8 X 1-3/4 X 1/16)</i>	<i>1</i>
	<i>GX5099801</i>	<i>O-RING,33/43,VIT,FDA COMPL DCH3</i>	<i>1</i>
12	SX8101072	SPLASHPLATE,280JM FRM ZCH2	1
13	GX5051200	KEY,IMPLR/SLV,2.0X.25X.25 304-SS	1
14	GS8105530	KIT,1-5/8,T21,CE/CA/BU ZCH2	1
	<i>GS8105530-316SS</i>	<i>KIT,1-5/8,T21,CE/CA/BU,316SS MET ZCH2</i>	<i>1</i>
	<i>GS8106560</i>	<i>KIT,1-5/8,T21,CE/CA/VI ZCH2</i>	<i>1</i>
	<i>GS8107110</i>	<i>KIT,1-5/8,T21,TC/CA/VI ZCH2</i>	<i>1</i>
	<i>GS8107140</i>	<i>KIT,1-5/8,T21,SC/CA/VI ZCH2 3X2.5 4X3</i>	<i>1</i>
	<i>GS8111200-316SS</i>	<i>KIT,1-5/8,T21,TC/SC/BU,316SS MET ZCH2,3X2.5,4X3</i>	<i>1</i>
17	GX5076700	CAPSCRW,HX,5/8-11X1-1/2,18-8SS HX HD	4
18	GX5077200	CAPSCRW,HX,3/8-16X1-1/4,18-8SS HX HD	8
21	GX5099300	O-RING,1-3/8X1-1/2X1/16,BUNA SLEEVE	1
	<i>GX5099301</i>	<i>O-RING,T1 T21,1-5/8,EPDM,SLV (1-3/8 X 1-1/2 X 1/16)</i>	<i>1</i>



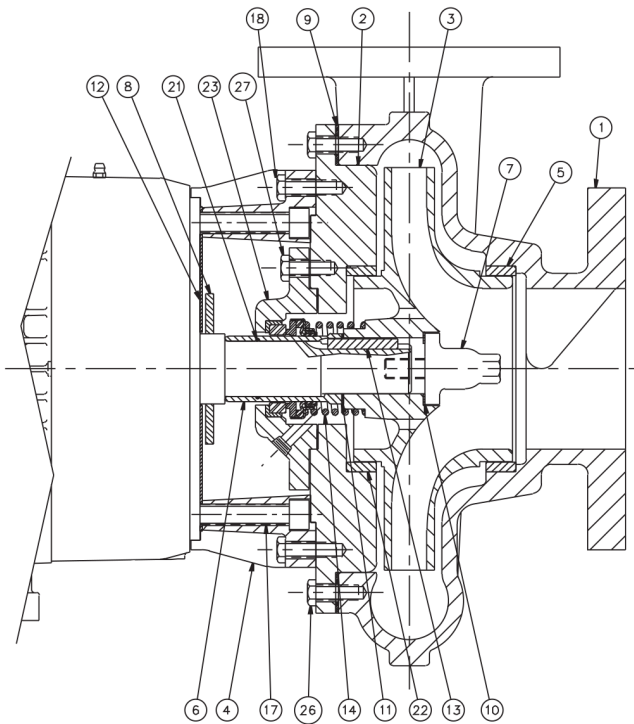
Ref #	Component
1	Casing
2	Cover
3	Impeller
4	Adapter
5	Wear Ring (Casing)
6	Shaft Sleeve
7	Impeller Screw
8	Slinger
9	Gasket, Casing
10	Gasket, Impeller Screw
11	O-Ring, Shaft Sleeve
12	Splashplate
13	Key, Impeller
14	Seal Kit
17	Capscrew (Motor/Adapter)
18	Capscrew (Casing/Adapter)
21*	O-Ring, Shaft Sleeve
22**	Wear Ring (Cover)

\* ZCH2 Only  
\*\* ZC2/ZCH2 4 x 3 Only

**Exploded View**

*Optional Items Shown in ITALICS*

Ref #	Component Item No.	Description	Qty Per
21	<i>GX5099302</i>	<i>O-RING,33/43,VIT,FDA COMPL DCH3</i>	1



Ref #	Component
1	Casing
2	Cover
3	Impeller
4	Adapter
5	Wear Ring (Casing)
6	Shaft Sleeve
7	Impeller Screw
8	Slinger
9	Gasket, Casing
10	Gasket, Impeller Screw
11	O-Ring, Shaft Sleeve
12	Splashplate
13	Key, Impeller
14	Seal Kit
17	Capscrew (Motor/Adapter)
18	Capscrew (Cover/Adapter)
21*	O-Ring, Shaft Sleeve
22**	Wear Ring (Cover)
23	Stuffing Box
24	Gasket, Stuffing Box
26	Capscrew (Casing/Cover)
27	Capscrew (Cover/Stuffing Box)

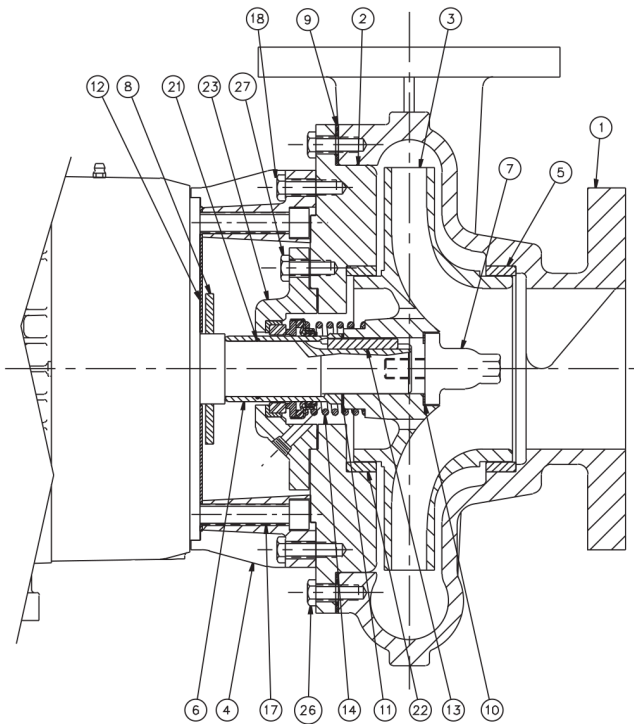
\* ZCH2 Only

\*\* Not Required for 1-1/2 x 1-1/2 Models

**Exploded View**

*Optional Items Shown in ITALICS*

Ref #	Component Item No.	Description	Qty Per
1	SV8402592	CASING,4X3C,SS ZCH2	1
2	SC8402602	COVER,4X3C,SS,JM,SGL SEAL ZCH2	1
3	SI8304142	IMPELLER,4X3C,SS ZCH2	1
4	GX8401251	ADAPTER,250 JM FRAME ZCH2	1
	<i>SX8401252</i>	<i>ADAPTER,250 JM FRAME,SS NS ZCH2</i>	<i>1</i>
5	SW8107682	RING,WEAR,3X2 4X3 L ,SS,STUFF BX ZC2 ZCH2	1
6	SX8104421	SLEEVE,SHFT,SS ZCH2	1
7	SI8110420	SCREW,43C,IMP,SS ZCH2	1
8	GX5098700	SLINGER,1-23/32X3-3/4X 3/16 ZCH2	1
9	GX5041300	GASKET,9-1/4 X 10 X 1/16,N-8090	1
10	GX5099304	O-RING,43C,IMP SCRW,VIT ZCH2	1
11	GX5099800	O-RING,1-5/8X1-3/4X1/16,BUNA SLEEVE	1
	<i>GX5099802</i>	<i>O-RING,T2 T21,1-5/8,EPDM,SLV (1-5/8 X 1-3/4 X 1/16)</i>	<i>1</i>
	<i>GX5099801</i>	<i>O-RING,33/43,VIT,FDA COMPL DCH3</i>	<i>1</i>
12	GX5091400	SPLASHPLATE,EC2 KC2 RC2 ZC2,SS FR213-256	1
13	GX5051200	KEY,IMPLR/SLV,2.0X.25X.25 304-SS	1
14	GS8107770	KIT,1-5/8,T21L,CE/CA/BU ZCH2 32	1
	<i>GS8107770-316SS</i>	<i>KIT,1-5/8,32,T21L,CE/CA/BU 316SS MET ZCH2</i>	<i>1</i>
	<i>GS8107780</i>	<i>KIT,1-5/8,T21,CE/CA/VI ZCH2 43L</i>	<i>1</i>
17	GX5077500	CAPSCRW,SH,1/2-13X3,BLK OX SCKT HD	4
18	GX5077200	CAPSCRW,HX,3/8-16X1-1/4,18-8SS HX HD	8
21	GX5099300	O-RING,1-3/8X1-1/2X1/16,BUNA SLEEVE	1
	<i>GX5099301</i>	<i>O-RING,T1 T21,1-5/8,EPDM,SLV (1-3/8 X 1-1/2 X 1/16)</i>	<i>1</i>
	<i>GX5099302</i>	<i>O-RING,33/43,VIT,FDA COMPL DCH3</i>	<i>1</i>
22	SW8107682	RING,WEAR,3X2 4X3 L ,SS,STUFF BX ZC2 ZCH2	1
23	SX8204232	STUFFING BOX,SS,JM,SGL SEAL ZCH2	1
24	GX5041900	GASKET,4X3X1/32,N-8090,STFBX STUFFING BOX	1



Ref #	Component
1	Casing
2	Cover
3	Impeller
4	Adapter
5	Wear Ring (Casing)
6	Shaft Sleeve
7	Impeller Screw
8	Slinger
9	Gasket, Casing
10	Gasket, Impeller Screw
11	O-Ring, Shaft Sleeve
12	Splashplate
13	Key, Impeller
14	Seal Kit
17	Capscrew (Motor/Adapter)
18	Capscrew (Cover/Adapter)
21*	O-Ring, Shaft Sleeve
22**	Wear Ring (Cover)
23	Stuffing Box
24	Gasket, Stuffing Box
26	Capscrew (Casing/Cover)
27	Capscrew (Cover/Stuffing Box)

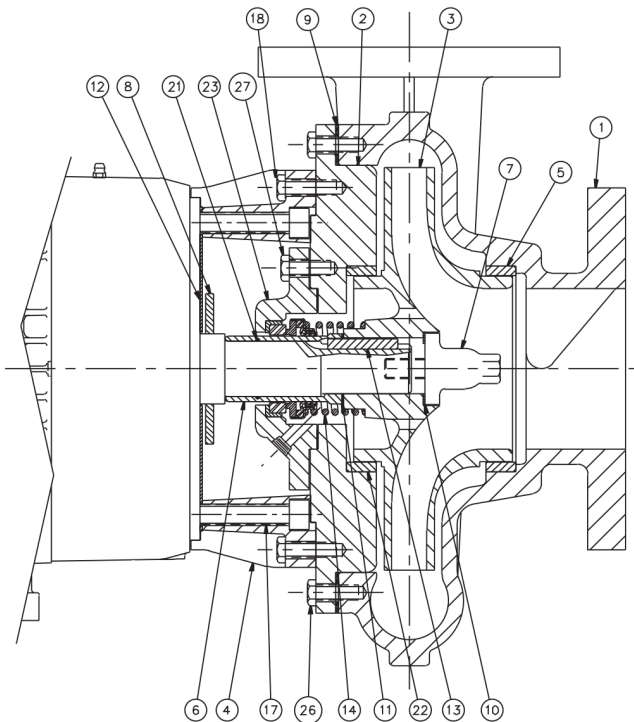
\* ZCH2 Only

\*\* Not Required for 1-1/2 x 1-1/2 Models

**Exploded View**

*Optional Items Shown in ITALICS*

Ref #	Component Item No.	Description	Qty Per
26	<i>GX5077100</i>	<i>CAPSCRW,HX,3/8-16X1,18-8SS HX HD</i>	12
27	<i>GX5077100</i>	<i>CAPSCRW,HX,3/8-16X1,18-8SS HX HD</i>	4



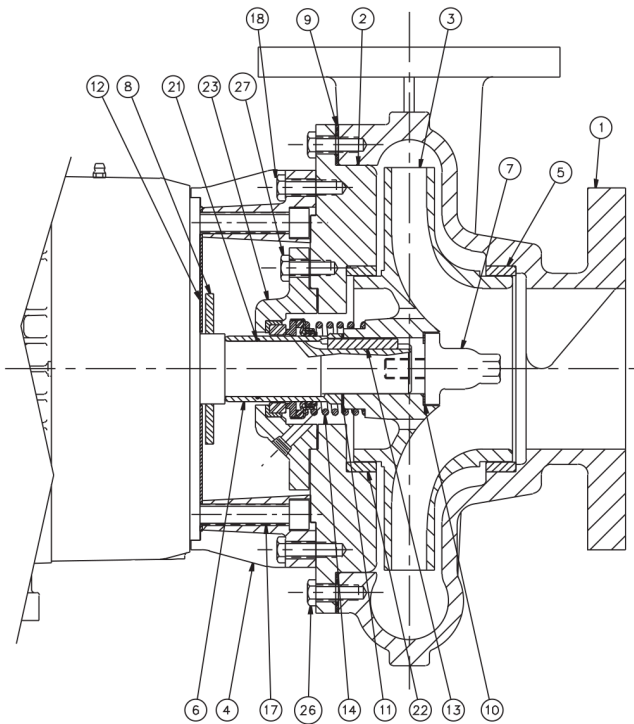
Ref #	Component
1	Casing
2	Cover
3	Impeller
4	Adapter
5	Wear Ring (Casing)
6	Shaft Sleeve
7	Impeller Screw
8	Slinger
9	Gasket, Casing
10	Gasket, Impeller Screw
11	O-Ring, Shaft Sleeve
12	Splashplate
13	Key, Impeller
14	Seal Kit
17	Capscrew (Motor/Adapter)
18	Capscrew (Cover/Adapter)
21*	O-Ring, Shaft Sleeve
22**	Wear Ring (Cover)
23	Stuffing Box
24	Gasket, Stuffing Box
26	Capscrew (Casing/Cover)
27	Capscrew (Cover/Stuffing Box)

\* ZCH2 Only  
\*\* Not Required for 1-1/2 x 1-1/2 Models

**Exploded View**

*Optional Items Shown in ITALICS*

Ref #	Component Item No.	Description	Qty Per
1	SV8402592	CASING,4X3C,SS ZCH2	1
2	SC8402602	COVER,4X3C,SS,JM,SGL SEAL ZCH2	1
3	SI8304142	IMPELLER,4X3C,SS ZCH2	1
4	GX8401361	ADAPTER,280 JM FRAME ZCH2	1
5	SW8107682	RING,WEAR,3X2 4X3 L ,SS,STUFF BX ZC2 ZCH2	1
6	SX8104421	SLEEVE,SHFT,SS ZCH2	1
7	SI8110420	SCREW,43C,IMP,SS ZCH2	1
8	GX5098700	SLINGER,1-23/32X3-3/4X 3/16 ZCH2	1
9	GX5041300	GASKET,9-1/4 X 10 X1/16,N-8090	1
10	GX5099304	O-RING,43C,IMP SCRW,VIT ZCH2	1
11	GX5099800	O-RING,1-5/8X1-3/4X1/16,BUNA SLEEVE	1
	<i>GX5099802</i>	<i>O-RING,T2 T21,1-5/8,EPDM,SLV (1-5/8 X 1-3/4 X 1/16)</i>	<i>1</i>
	<i>GX5099801</i>	<i>O-RING,33/43,VIT,FDA COMPL DCH3</i>	<i>1</i>
12	SX8101072	SPLASHPLATE,280JM FRM ZCH2	1
13	GX5051200	KEY,IMPLR/SLV,2.0X.25X.25 304-SS	1
14	GS8107770	KIT,1-5/8,T21L,CE/CA/BU ZCH2 32	1
	<i>GS8107770-316SS</i>	<i>KIT,1-5/8,32,T21L,CE/CA/BU 316SS MET ZCH2</i>	<i>1</i>
	<i>GS8107780</i>	<i>KIT,1-5/8,T21,CE/CA/VI ZCH2 43L</i>	<i>1</i>
17	GX5076700	CAPSCRW,HX,5/8-11X1-1/2,18-8SS HX HD	4
18	GX5077200	CAPSCRW,HX,3/8-16X1-1/4,18-8SS HX HD	8
21	GX5099300	O-RING,1-3/8X1-1/2X1/16,BUNA SLEEVE	1
	<i>GX5099301</i>	<i>O-RING,T1 T21,1-5/8,EPDM,SLV (1-3/8 X 1-1/2 X 1/16)</i>	<i>1</i>
	<i>GX5099302</i>	<i>O-RING,33/43,VIT,FDA COMPL DCH3</i>	<i>1</i>
22	SW8107682	RING,WEAR,3X2 4X3 L ,SS,STUFF BX ZC2 ZCH2	1
23	SX8204232	STUFFING BOX,SS,JM,SGL SEAL ZCH2	1
24	GX5041900	GASKET,4X3X1/32,N-8090,STFBX STUFFING BOX	1
26	GX5077100	CAPSCRW,HX,3/8-16X1,18-8SS HX HD	12



Ref #	Component
1	Casing
2	Cover
3	Impeller
4	Adapter
5	Wear Ring (Casing)
6	Shaft Sleeve
7	Impeller Screw
8	Slinger
9	Gasket, Casing
10	Gasket, Impeller Screw
11	O-Ring, Shaft Sleeve
12	Splashplate
13	Key, Impeller
14	Seal Kit
17	Capscrew (Motor/Adapter)
18	Capscrew (Cover/Adapter)
21*	O-Ring, Shaft Sleeve
22**	Wear Ring (Cover)
23	Stuffing Box
24	Gasket, Stuffing Box
26	Capscrew (Casing/Cover)
27	Capscrew (Cover/Stuffing Box)

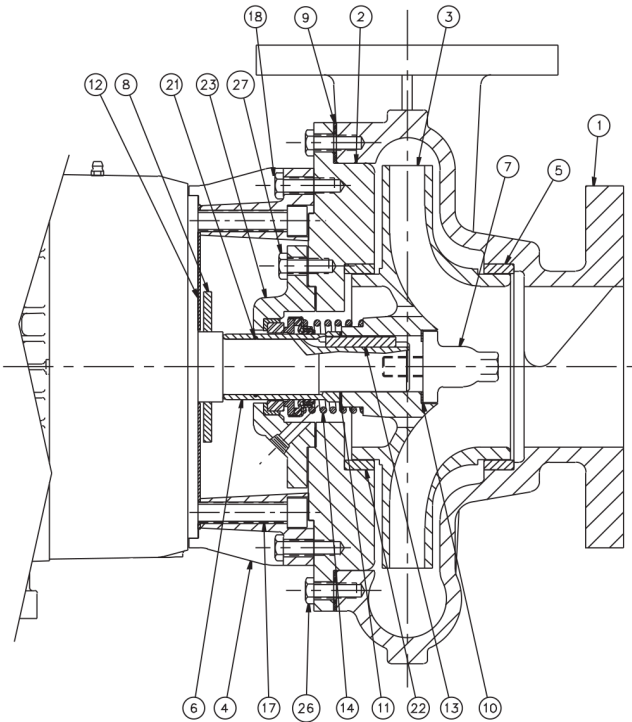
\* ZCH2 Only

\*\* Not Required for 1-1/2 x 1-1/2 Models

**Exploded View**

*Optional Items Shown in ITALICS*

Ref #	Component Item No.	Description	Qty Per
27	<i>GX5077100</i>	<i>CAPSCRW,HX,3/8-16X1,18-8SS HX HD</i>	4



Ref #	Component
1	Casing
2	Cover
3	Impeller
4	Adapter
5	Wear Ring (Casing)
6	Shaft Sleeve
7	Impeller Screw
8	Slinger
9	Gasket, Casing
10	Gasket, Impeller Screw
11	O-Ring, Shaft Sleeve
12	Splashplate
13	Key, Impeller
14	Seal Kit
17	Capscrew (Motor/Adapter)
18	Capscrew (Cover/Adapter)
21*	O-Ring, Shaft Sleeve
22**	Wear Ring (Cover)
23	Stuffing Box
24	Gasket, Stuffing Box
26	Capscrew (Casing/Cover)
27	Capscrew (Cover/Stuffing Box)

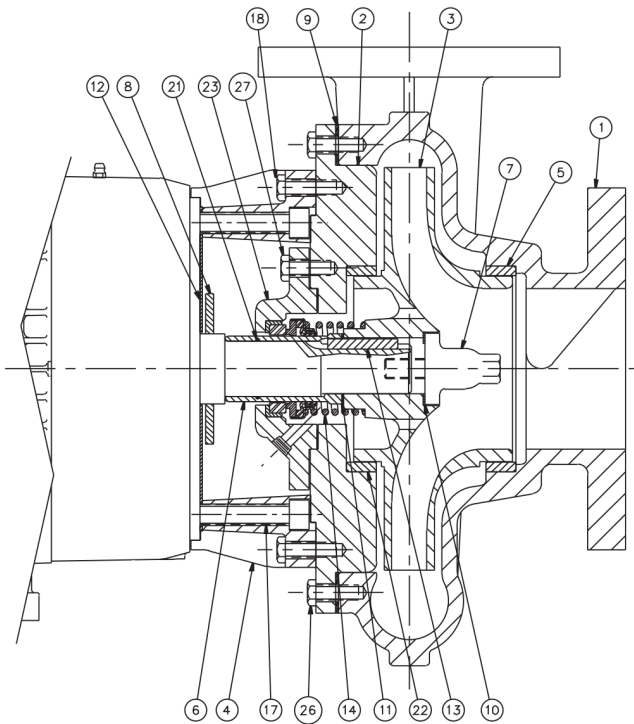
\* ZCH2 Only

\*\* Not Required for 1-1/2 x 1-1/2 Models

**Exploded View**

*Optional Items Shown in ITALICS*

Ref #	Component Item No.	Description	Qty Per
1	SV8402402	CASING,4X3L,SS ZC2	1
2	SC8402262	COVER,4X3L,SS,JM ZC2	1
3	SI8303682	IMPELLER,4X3L,SS,T21 ZCH2	1
4	GX8401251	ADAPTER,250 JM FRAME ZCH2	1
	<i>SX8401252</i>	<i>ADAPTER,250 JM FRAME,SS NS ZCH2</i>	<i>1</i>
5	SW8107682	RING,WEAR,3X2 4X3 L ,SS,STUFF BX ZC2 ZCH2	1
6	SX8107642	SLEEVE,SHFT,4X3L,SS,JM FRM ZCH2	1
7	SI8107732	SCREW,32 43L 54P 3310,IMP,SS ZCH2 RCH2	1
8	GX5098700	SLINGER,1-23 32X3-3 4X 3 16 ZCH2	1
9	GX5106200	GASKET,3X2,CVR,CASING 10-1 8X 12-1 8 X 1 16 N-8090	1
10	GX5041400	GASKET,IMP SCRW,1-1 4X1-13 16 X1 32	1
11	GX5041600	GASKET,1-1 4X1-3 4X1 321 4 KEYSLOT,SLV/IMP	1
12	GX5091400	SPLASHPLATE,EC2 KC2 RC2 ZC2,SS FR213-256	1
13	GX5051200	KEY,IMPLR/SLV,2.0X.25X.25 304-SS	1
14	GS8107770	KIT,1-5 8,T21L,CE CA BU ZCH2 32	1
	<i>GS8107770-316SS</i>	<i>KIT,1-5 8,32,T21L,CE CA BU 316SS MET ZCH2</i>	<i>1</i>
	<i>GS8107780</i>	<i>KIT,1-5 8,T21,CE CA VI ZCH2 43L</i>	<i>1</i>
17	GX5077500	CAPSCRW,SH,1 2-13X3,BLK OX SCKT HD	4
18	GX5077200	CAPSCRW,HX,3 8-16X1-1 4,18-8SS HX HD	8
21	GX5099300	O-RING,1-3 8X1-1 2X1 16,BUNA SLEEVE	1
	<i>GX5099301</i>	<i>O-RING,T1 T21,1-5 8,EPDM,SLV (1-3 8 X 1-1 2 X 1 16)</i>	<i>1</i>
	<i>GX5099302</i>	<i>O-RING,33 43,VIT,FDA COMPL DCH3</i>	<i>1</i>
22	SW8107682	RING,WEAR,3X2 4X3 L ,SS,STUFF BX ZC2 ZCH2	1
23	SX8204232	STUFFING BOX,SS,JM,SGL SEAL ZCH2	1
24	GX5041900	GASKET,4X3X1 32,N-8090,STFBX STUFFING BOX	1
26	GX5077100	CAPSCRW,HX,3 8-16X1,18-8SS HX HD	12
27	GX5077100	CAPSCRW,HX,3 8-16X1,18-8SS HX HD	4



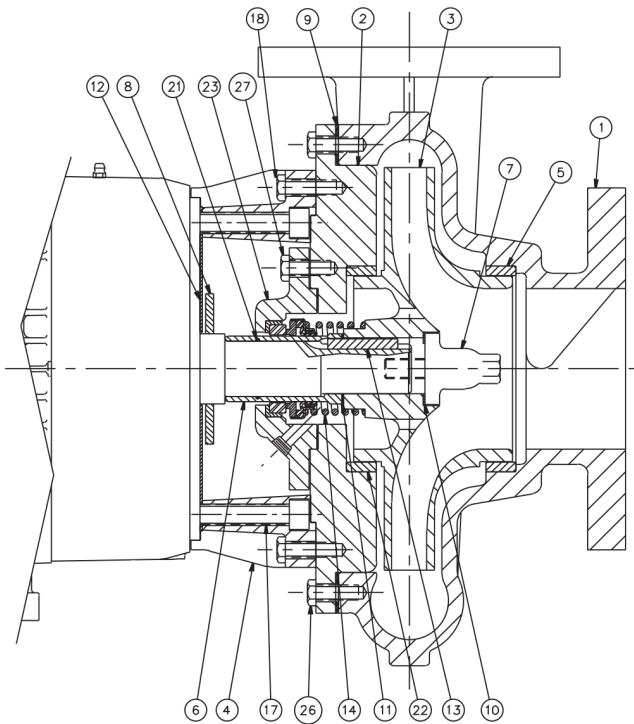
Ref #	Component
1	Casing
2	Cover
3	Impeller
4	Adapter
5	Wear Ring (Casing)
6	Shaft Sleeve
7	Impeller Screw
8	Slinger
9	Gasket, Casing
10	Gasket, Impeller Screw
11	O-Ring, Shaft Sleeve
12	Splashplate
13	Key, Impeller
14	Seal Kit
17	Capscrew (Motor/Adapter)
18	Capscrew (Cover/Adapter)
21*	O-Ring, Shaft Sleeve
22**	Wear Ring (Cover)
23	Stuffing Box
24	Gasket, Stuffing Box
26	Capscrew (Casing/Cover)
27	Capscrew (Cover/Stuffing Box)

\* ZCH2 Only  
\*\* Not Required for 1-1/2 x 1-1/2 Models

**Exploded View**

*Optional Items Shown in ITALICS*

Ref #	Component Item No.	Description	Qty Per
1	SV8402402	CASING,4X3L,SS ZC2	1
2	SC8402262	COVER,4X3L,SS,JM ZC2	1
3	SI8303682	IMPELLER,4X3L,SS,T21 ZCH2	1
4	GX8401361	ADAPTER,280 JM FRAME ZCH2	1
5	SW8107682	RING,WEAR,3X2 4X3 L,SS,STUFF BX ZC2 ZCH2	1
6	SX8107642	SLEEVE,SHFT,4X3L,SS,JM FRM ZCH2	1
7	SI8107732	SCREW,32/43L/54P/3310,IMP,SS ZCH2 RCH2	1
8	GX5098700	SLINGER,1-23/32X3-3/4X 3/16 ZCH2	1
9	GX5106200	GASKET,3X2,CVR,CASING 10-1/8X 12-1/8 X 1/16 N-8090	1
10	GX5041400	GASKET,IMP SCRW,1-1/4X1-13/16 X1/32	1
11	GX5041600	GASKET,1-1/4X1-3/4X1/32 1/4 KEYSLOT,SLV/IMP	1
12	SX8101072	SPLASHPLATE,280JM FRM ZCH2	1
13	GX5051200	KEY,IMPLR/SLV,2.0X.25X.25 304-SS	1
14	GS8107770	KIT,1-5/8,T21L,CE/CA/BU ZCH2 32	1
	<i>GS8107770-316SS</i>	<i>KIT,1-5/8,32,T21L,CE/CA/BU 316SS MET ZCH2</i>	<i>1</i>
	<i>GS8107780</i>	<i>KIT,1-5/8,T21,CE/CA/VI ZCH2 43L</i>	<i>1</i>
17	GX5076700	CAPSCRW,HX,5/8-11X1-1/2,18-8SS HX HD	4
18	GX5077200	CAPSCRW,HX,3/8-16X1-1/4,18-8SS HX HD	8
21	GX5099300	O-RING,1-3/8X1-1/2X1/16,BUNA SLEEVE	1
	<i>GX5099301</i>	<i>O-RING,T1 T21,1-5/8,EPDM,SLV (1-3/8 X 1-1/2 X 1/16)</i>	<i>1</i>
	<i>GX5099302</i>	<i>O-RING,33/43,VIT,FDA COMPL DCH3</i>	<i>1</i>
22	SW8107682	RING,WEAR,3X2 4X3 L,SS,STUFF BX ZC2 ZCH2	1
23	SX8204232	STUFFING BOX,SS,JM,SGL SEAL ZCH2	1
24	GX5041900	GASKET,4X3X1/32,N-8090,STFBX STUFFING BOX	1
26	GX5077100	CAPSCRW,HX,3/8-16X1,18-8SS HX HD	12
27	GX5077100	CAPSCRW,HX,3/8-16X1,18-8SS HX HD	4



Ref #	Component
1	Casing
2	Cover
3	Impeller
4	Adapter
5	Wear Ring (Casing)
6	Shaft Sleeve
7	Impeller Screw
8	Slinger
9	Gasket, Casing
10	Gasket, Impeller Screw
11	O-Ring, Shaft Sleeve
12	Splashplate
13	Key, Impeller
14	Seal Kit
17	Capscrew (Motor/Adapter)
18	Capscrew (Cover/Adapter)
21*	O-Ring, Shaft Sleeve
22**	Wear Ring (Cover)
23	Stuffing Box
24	Gasket, Stuffing Box
26	Capscrew (Casing/Cover)
27	Capscrew (Cover/Stuffing Box)

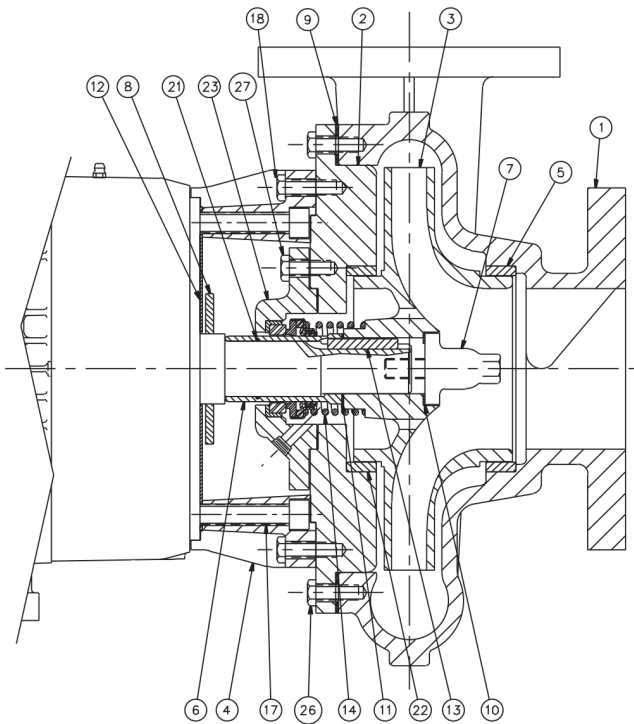
\* ZCH2 Only

\*\* Not Required for 1-1/2 x 1-1/2 Models

**Exploded View**

*Optional Items Shown in ITALICS*

Ref #	Component Item No.	Description	Qty Per
1	SV8404382	CASING,5X4P,SS ZCH2	1
2	SC8404592	COVER,5X4P,SS ZCH2	1
3	SI8404362	IMPELLER,5X4P,SS ZCH2	1
4	GX8401251	ADAPTER,250 JM FRAME ZCH2	1
	<i>SX8401252</i>	<i>ADAPTER,250 JM FRAME,SS NS ZCH2</i>	<i>1</i>
5	SW8110532	RING,WEAR,5X4P,SS ZC2 ZCH2 5X4P	1
6	SX8107642	SLEEVE,SHFT,4X3L,SS,JM FRM ZCH2	1
7	SI8107732	SCREW,32/43L/54P/3310,IMP,SS ZCH2 RCH2	1
8	GX5098700	SLINGER,1-23/32X3-3/4X 3/16 ZCH2	1
9	GX8205561	GASKET,54P,CVR ZC2 ZCH2	1
10	GX5099800	O-RING,1-5/8X1-3/4X1/16,BUNA SLEEVE	1
	<i>GX5099802</i>	<i>O-RING,T2 T21,1-5/8,EPDM,SLV (1-5/8 X 1-3/4 X 1/16)</i>	<i>1</i>
	<i>GX5099801</i>	<i>O-RING,33/43,VIT,FDA COMPL DCH3</i>	<i>1</i>
11	GX5099800	O-RING,1-5/8X1-3/4X1/16,BUNA SLEEVE	1
	<i>GX5099802</i>	<i>O-RING,T2 T21,1-5/8,EPDM,SLV (1-5/8 X 1-3/4 X 1/16)</i>	<i>1</i>
	<i>GX5099801</i>	<i>O-RING,33/43,VIT,FDA COMPL DCH3</i>	<i>1</i>
12	GX5091400	SPLASHPLATE,EC2/KC2/RC2/ZC2,SS FR213-256	1
13	GX5051200	KEY,IMPLR/SLV,2.0X.25X.25 304-SS	1
14	GS8110590	KIT,1-5/8,T21L,CE/CA/BU ZCH2 54P	1
	<i>GS8110590-316SS</i>	<i>KIT,1-5/8,T21L,CE/CA/BU,316SS MET ZCH2 54P</i>	<i>1</i>
	<i>GS8110694-316SS</i>	<i>KIT,1-5/8,54P,T21,TC/SC/BU 316SS MET ZC2</i>	<i>1</i>
17	GX5077500	CAPSCRW,SH,1/2-13X3,BLK OX SCKT HD	4
18	GX5077200	CAPSCRW,HX,3/8-16X1-1/4,18-8SS HX HD	8
21	GX5099300	O-RING,1-3/8X1-1/2X1/16,BUNA SLEEVE	1
	<i>GX5099301</i>	<i>O-RING,T1 T21,1-5/8,EPDM,SLV (1-3/8 X 1-1/2 X 1/16)</i>	<i>1</i>
	<i>GX5099302</i>	<i>O-RING,33/43,VIT,FDA COMPL DCH3</i>	<i>1</i>
22	SW8110532	RING,WEAR,5X4P,SS ZC2 ZCH2 5X4P	1



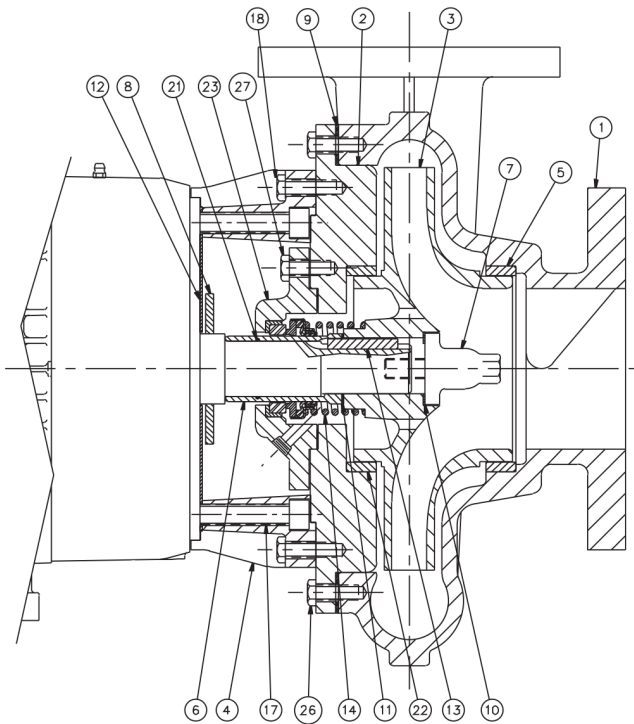
Ref #	Component
1	Casing
2	Cover
3	Impeller
4	Adapter
5	Wear Ring (Casing)
6	Shaft Sleeve
7	Impeller Screw
8	Slinger
9	Gasket, Casing
10	Gasket, Impeller Screw
11	O-Ring, Shaft Sleeve
12	Splashplate
13	Key, Impeller
14	Seal Kit
17	Capscrew (Motor/Adapter)
18	Capscrew (Cover/Adapter)
21*	O-Ring, Shaft Sleeve
22**	Wear Ring (Cover)
23	Stuffing Box
24	Gasket, Stuffing Box
26	Capscrew (Casing/Cover)
27	Capscrew (Cover/Stuffing Box)

\* ZCH2 Only  
\*\* Not Required for 1-1/2 x 1-1/2 Models

**Exploded View**

*Optional Items Shown in ITALICS*

Ref #	Component Item No.	Description	Qty Per
23	<i>SX8204232</i>	<i>STUFFING BOX,SS,JM,SGL SEAL ZCH2</i>	1
24	<i>GX5041900</i>	<i>GASKET,4X3X1/32,N-8090,STFBX STUFFING BOX</i>	1
26	<i>SC1710H-SS</i>	<i>CAPSCRW,HX,1/2-13X1,18-8SS HX HD</i>	8
27	<i>GX5077100</i>	<i>CAPSCRW,HX,3/8-16X1,18-8SS HX HD</i>	4



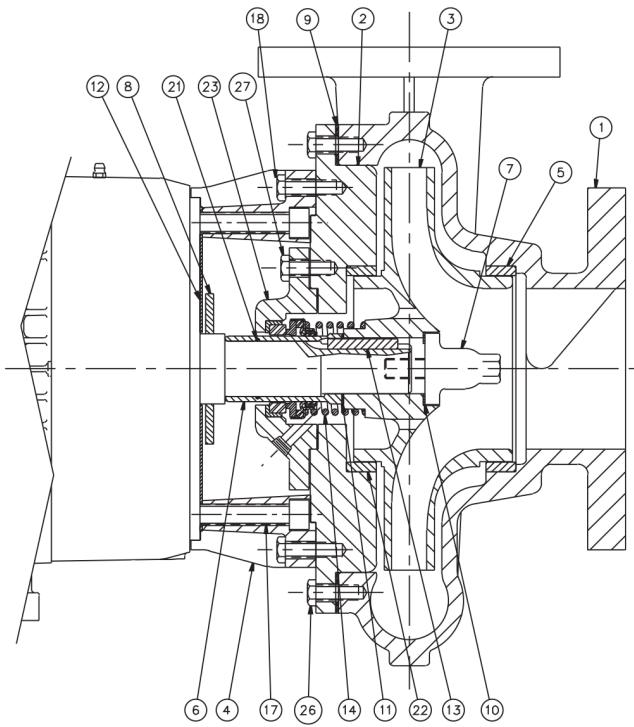
Ref #	Component
1	Casing
2	Cover
3	Impeller
4	Adapter
5	Wear Ring (Casing)
6	Shaft Sleeve
7	Impeller Screw
8	Slinger
9	Gasket, Casing
10	Gasket, Impeller Screw
11	O-Ring, Shaft Sleeve
12	Splashplate
13	Key, Impeller
14	Seal Kit
17	Capscrew (Motor/Adapter)
18	Capscrew (Cover/Adapter)
21*	O-Ring, Shaft Sleeve
22**	Wear Ring (Cover)
23	Stuffing Box
24	Gasket, Stuffing Box
26	Capscrew (Casing/Cover)
27	Capscrew (Cover/Stuffing Box)

\* ZCH2 Only  
\*\* Not Required for 1-1/2 x 1-1/2 Models

**Exploded View**

*Optional Items Shown in ITALICS*

Ref #	Component Item No.	Description	Qty Per
1	SV8404382	CASING,5X4P,SS ZCH2	1
2	SC8404592	COVER,5X4P,SS ZCH2	1
3	SI8404362	IMPELLER,5X4P,SS ZCH2	1
4	GX8406351	ADAPTER,280 JM,5X4P ZCH2	1
5	SW8110532	RING,WEAR,5X4P,SS ZC2 ZCH2 5X4P	1
6	SX8107642	SLEEVE,SHFT,4X3L,SS,JM FRM ZCH2	1
7	SI8107732	SCREW,32/43L/54P/3310,IMP,SS ZCH2 RCH2	1
8	GX5098700	SLINGER,1-23/32X3-3/4X 3/16 ZCH2	1
9	GX8205561	GASKET,54P,CVR ZC2 ZCH2	1
10	GX5099800	O-RING,1-5/8X1-3/4X1/16,BUNA SLEEVE	1
	<i>GX5099802</i>	<i>O-RING,T2 T21,1-5/8,EPDM,SLV (1-5/8 X 1-3/4 X 1/16)</i>	<i>1</i>
	<i>GX5099801</i>	<i>O-RING,33/43,VIT,FDA COMPL DCH3</i>	<i>1</i>
11	GX5099800	O-RING,1-5/8X1-3/4X1/16,BUNA SLEEVE	1
	<i>GX5099802</i>	<i>O-RING,T2 T21,1-5/8,EPDM,SLV (1-5/8 X 1-3/4 X 1/16)</i>	<i>1</i>
	<i>GX5099801</i>	<i>O-RING,33/43,VIT,FDA COMPL DCH3</i>	<i>1</i>
12	SX8101072	SPLASHPLATE,280JM FRM ZCH2	1
13	GX5051200	KEY,IMPLR/SLV,2.0X.25X.25 304-SS	1
14	GS8110590	KIT,1-5/8,T21L,CE/CA/BU ZCH2 54P	1
	<i>GS8110590-316SS</i>	<i>KIT,1-5/8,T21L,CE/CA/BU,316SS MET ZCH2 54P</i>	<i>1</i>
	<i>GS8110694-316SS</i>	<i>KIT,1-5/8,54P,T21,TC/SC/BU 316SS MET ZC2</i>	<i>1</i>
17	GX5076700	CAPSCRW,HX,5/8-11X1-1/2,18-8SS HX HD	4
18	GX5077200	CAPSCRW,HX,3/8-16X1-1/4,18-8SS HX HD	8
21	GX5099300	O-RING,1-3/8X1-1/2X1/16,BUNA SLEEVE	1
	<i>GX5099301</i>	<i>O-RING,T1 T21,1-5/8,EPDM,SLV (1-3/8 X 1-1/2 X 1/16)</i>	<i>1</i>
	<i>GX5099302</i>	<i>O-RING,33/43,VIT,FDA COMPL DCH3</i>	<i>1</i>
22	SW8110532	RING,WEAR,5X4P,SS ZC2 ZCH2 5X4P	1
23	SX8204232	STUFFING BOX,SS,JM,SGL SEAL ZCH2	1



Ref #	Component
1	Casing
2	Cover
3	Impeller
4	Adapter
5	Wear Ring (Casing)
6	Shaft Sleeve
7	Impeller Screw
8	Slinger
9	Gasket, Casing
10	Gasket, Impeller Screw
11	O-Ring, Shaft Sleeve
12	Splashplate
13	Key, Impeller
14	Seal Kit
17	Capscrew (Motor/Adapter)
18	Capscrew (Cover/Adapter)
21*	O-Ring, Shaft Sleeve
22**	Wear Ring (Cover)
23	Stuffing Box
24	Gasket, Stuffing Box
26	Capscrew (Casing/Cover)
27	Capscrew (Cover/Stuffing Box)

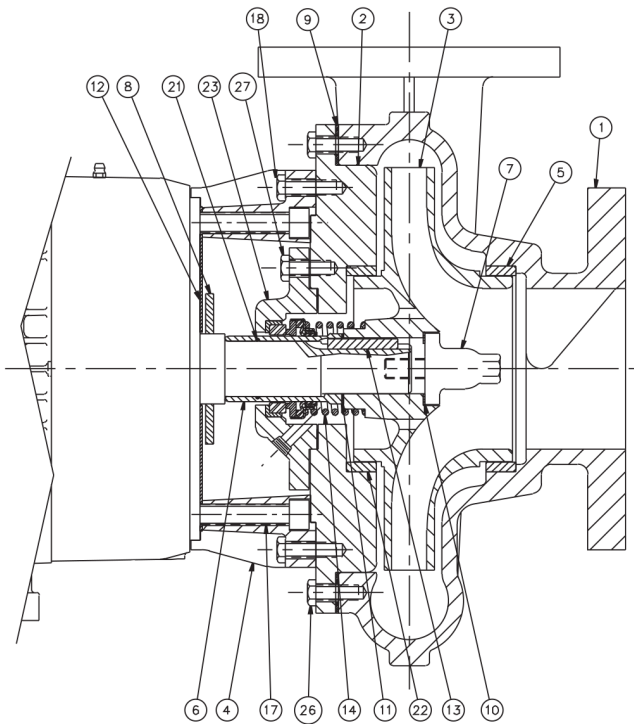
\* ZCH2 Only

\*\* Not Required for 1-1/2 x 1-1/2 Models

**Exploded View**

*Optional Items Shown in ITALICS*

Ref #	Component Item No.	Description	Qty Per
24	<i>GX5041900</i>	<i>GASKET,4X3X1/32,N-8090,STFBX STUFFING BOX</i>	1
26	<i>SC1710H-SS</i>	<i>CAPSCRW,HX,1/2-13X1,18-8SS HX HD</i>	8
27	<i>GX5077100</i>	<i>CAPSCRW,HX,3/8-16X1,18-8SS HX HD</i>	4



Ref #	Component
1	Casing
2	Cover
3	Impeller
4	Adapter
5	Wear Ring (Casing)
6	Shaft Sleeve
7	Impeller Screw
8	Slinger
9	Gasket, Casing
10	Gasket, Impeller Screw
11	O-Ring, Shaft Sleeve
12	Splashplate
13	Key, Impeller
14	Seal Kit
17	Capscrew (Motor/Adapter)
18	Capscrew (Cover/Adapter)
21*	O-Ring, Shaft Sleeve
22**	Wear Ring (Cover)
23	Stuffing Box
24	Gasket, Stuffing Box
26	Capscrew (Casing/Cover)
27	Capscrew (Cover/Stuffing Box)

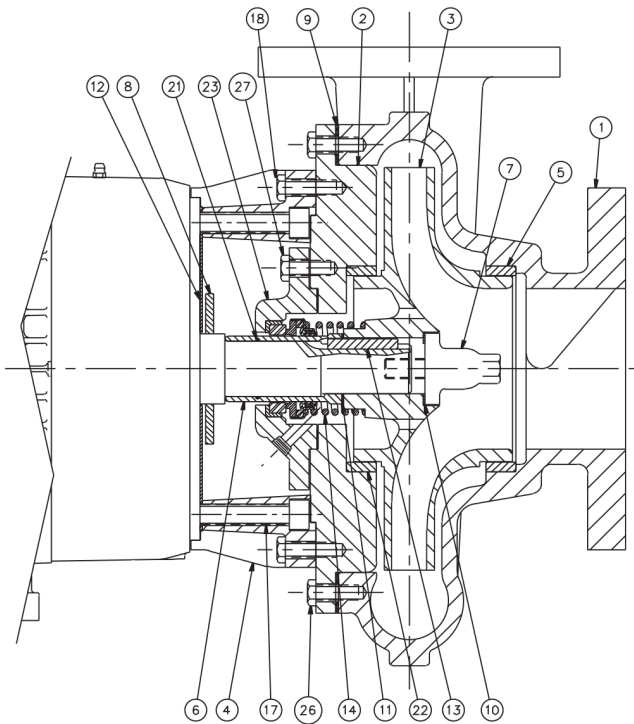
\* ZCH2 Only

\*\* Not Required for 1-1/2 x 1-1/2 Models

**Exploded View**

*Optional Items Shown in ITALICS*

Ref #	Component Item No.	Description	Qty Per
1	SV8402022	CASING,6X6,SS ZCH2	1
2	SC8402072	COVER,6X6,SS ZCH2	1
3	SI8303122	IMPELLER,6X6,SS ZCH2	1
4	GX8402091	ADAPTER,210/250 JP,6X6 ZCH2	1
6	SX8204132	SLEEVE,SHFT,6X6,316 SS ZCH2	1
7	SI8102722	SCREW,IMP,SS DCH2 RCH2 ZCH2	1
9	GX8204151	GASKET,12-7/16X10-5/16X1/32 N-8090	1
10	GX5099300	O-RING,1-3/8X1-1/2X1/16,BUNA SLEEVE	1
	<i>GX5099301</i>	<i>O-RING,T1 T21,1-5/8,EPDM,SLV (1-3/8 X 1-1/2 X 1/16)</i>	<i>1</i>
	<i>GX5099302</i>	<i>O-RING,33/43,VIT,FDA COMPL DCH3</i>	<i>1</i>
11	GX5041600	GASKET,1-1/4X1-3/4X1/32 1/4 KEYSLOT,SLV/IMP	1
13	GX5051200	KEY,IMPLR/SLV,2.OX.25X.25 304-SS	1
14	GS8107490	KIT,1-5/8,T21,CE/CA/BU ZCH2 66	1
	<i>GS8107490-316SS</i>	<i>KIT,1-5/8,T21,CE/CA/BU,316SS MET</i>	<i>1</i>
	<i>GS8107500</i>	<i>KIT,1-5/8,T21,CE/CA/VI ZCH2 66</i>	<i>1</i>
17	GX5079700	CAPSCRW,HX,1/2-13X1-1/4,18-8SS HX HD	4
18	GX5077400	CAPSCRW,SH,1/2-13X1-3/4,BLK OX SCKT HD	4
21	GX5099300	O-RING,1-3/8X1-1/2X1/16,BUNA SLEEVE	1
	<i>GX5099301</i>	<i>O-RING,T1 T21,1-5/8,EPDM,SLV (1-3/8 X 1-1/2 X 1/16)</i>	<i>1</i>
	<i>GX5099302</i>	<i>O-RING,33/43,VIT,FDA COMPL DCH3</i>	<i>1</i>
23	SX8303142	STUFFING BOX,6X6,SS ZCH2	1
24	GX8204141	GASKET,66,STUFF BX ZCH2	1
26	GX5079700	CAPSCRW,HX,1/2-13X1-1/4,18-8SS HX HD	8



Ref #	Component
1	Casing
2	Cover
3	Impeller
4	Adapter
5	Wear Ring (Casing)
6	Shaft Sleeve
7	Impeller Screw
8	Slinger
9	Gasket, Casing
10	Gasket, Impeller Screw
11	O-Ring, Shaft Sleeve
12	Splashplate
13	Key, Impeller
14	Seal Kit
17	Capscrew (Motor/Adapter)
18	Capscrew (Cover/Adapter)
21*	O-Ring, Shaft Sleeve
22**	Wear Ring (Cover)
23	Stuffing Box
24	Gasket, Stuffing Box
26	Capscrew (Casing/Cover)
27	Capscrew (Cover/Stuffing Box)

\* ZCH2 Only

\*\* Not Required for 1-1/2 x 1-1/2 Models

**Exploded View**

*Optional Items Shown in ITALICS*

Ref #	Component Item No.	Description	Qty Per
1	SV8402022	CASING,6X6,SS ZCH2	1
2	SC8402072	COVER,6X6,SS ZCH2	1
3	SI8303122	IMPELLER,6X6,SS ZCH2	1
4	GX8402101	ADAPTER,280 JP,6X6 ZCH2	1
6	SX8204132	SLEEVE,SHFT,6X6,316 SS ZCH2	1
7	SI8102722	SCREW,IMP,SS DCH2 RCH2 ZCH2	1
9	GX8204151	GASKET,12-7/16X10-5/16X1/32 N-8090	1
10	GX5099300	O-RING,1-3/8X1-1/2X1/16,BUNA SLEEVE	1
	<i>GX5099301</i>	<i>O-RING,T1 T21,1-5/8,EPDM,SLV (1-3/8 X 1-1/2 X 1/16)</i>	<i>1</i>
	<i>GX5099302</i>	<i>O-RING,33/43,VIT,FDA COMPL DCH3</i>	<i>1</i>
11	GX5041600	GASKET,1-1/4X1-3/4X1/321/4 KEYSLOT,SLV/IMP	1
13	GX5051200	KEY,IMPLR/SLV,2.OX.25X.25 304-SS	1
14	GS8107490	KIT,1-5/8,T21,CE/CA/BU ZCH2 66	1
	<i>GS8107490-316SS</i>	<i>KIT,1-5/8,T21,CE/CA/BU,316SS MET</i>	<i>1</i>
	<i>GS8107500</i>	<i>KIT,1-5/8,T21,CE/CA/VI ZCH2 66</i>	<i>1</i>
17	GX5076700	CAPSCRW,HX,5/8-11X1-1/2,18-8SS HX HD	4
18	GX5077400	CAPSCRW,SH,1/2-13X1-3/4,BLK OX SCKT HD	4
21	GX5099300	O-RING,1-3/8X1-1/2X1/16,BUNA SLEEVE	1
	<i>GX5099301</i>	<i>O-RING,T1 T21,1-5/8,EPDM,SLV (1-3/8 X 1-1/2 X 1/16)</i>	<i>1</i>
	<i>GX5099302</i>	<i>O-RING,33/43,VIT,FDA COMPL DCH3</i>	<i>1</i>
23	SX8303142	STUFFING BOX,6X6,SS ZCH2	1
24	GX8204141	GASKET,66,STUFF BX ZCH2	1
26	GX5079700	CAPSCRW,HX,1/2-13X1-1/4,18-8SS HX HD	8

Order Online: [www.PumpCatalog.com](http://www.PumpCatalog.com)