

# SALES & ENGINEERING DATA

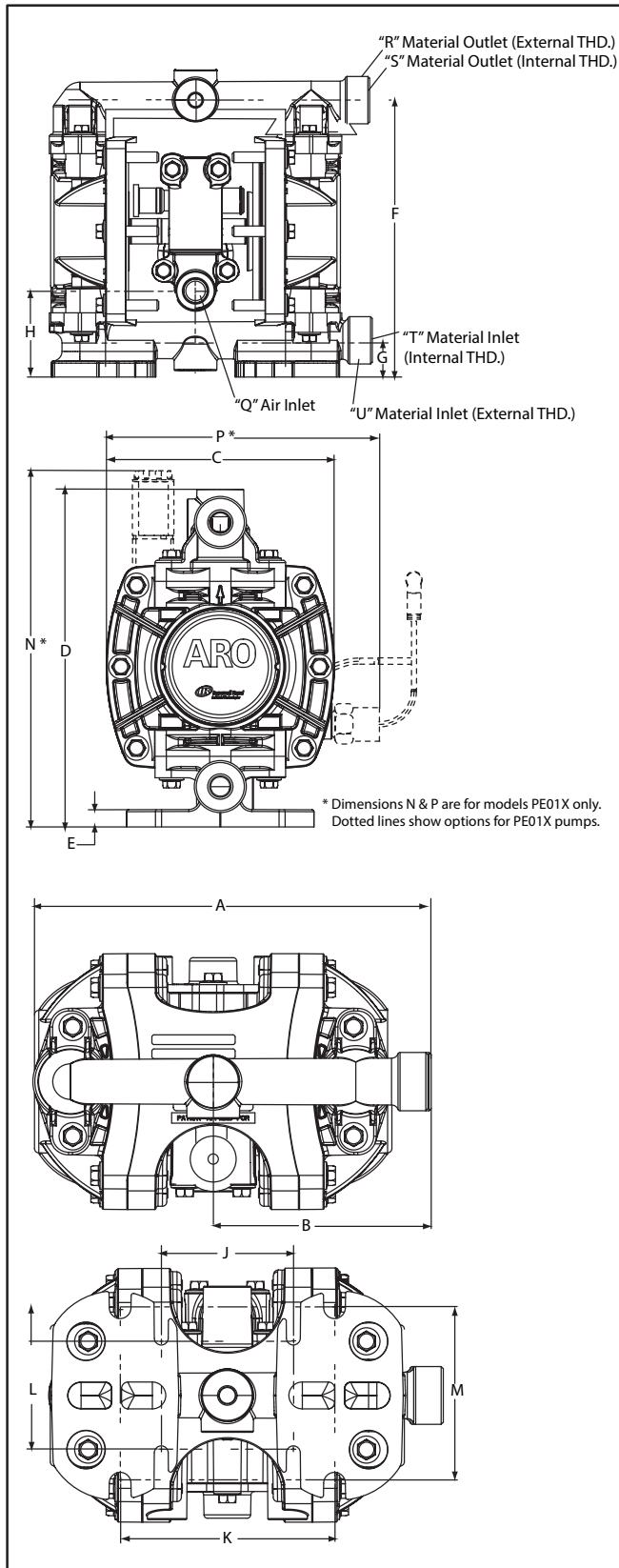
RATIO SERIES: **1:1**

FLUID P.S.I. RANGE: **10 - 125**

RELEASED: **3-7-13**  
(REV. A) **S-XXXX**

## PX01X-XXX-XXX-AXXX 1/4" DIAPHRAGM PUMP

### DIMENSIONAL DATA



### SPECIFICATIONS

**Model Series** PD01X-XXX-XXX-AXXXX, PE01X-XXX-XXX-AXXX  
**Pump Type..** Non-Metallic Air Operated Double Diaphragm  
**Ratio .....** 1:1  
**Air Inlet .....** Q - 1/4 - 18 PTF SAE Short  
**Weight .....** Polypropylene..... 2.86 lbs (1.30 kgs)  
 PVDF..... 3.88 lbs (1.76 kgs)  
 Acetal..... 3.52 lbs (1.60 kgs)

### PERFORMANCE

**Maximum Air Inlet Pressure .....** 125 psig (8.6 bar)  
**Minimum Air Inlet Pressure .....** 10 psig (0.69 bar)  
**Maximum Outlet Pressure .....** 125 psig (8.6 bar)  
**Maximum Flow Rate .....** 5.3 gpm (20 lpm)  
**Maximum Material Inlet Pressure....** 10 psig (0.69 bar)  
**Displacement / Cycle @ 125 p.s.i.g ..** 0.019 gal / 0.072 ltrs  
**Maximum Particle Size .....** 1/16" dia.(1.6 mm)  
**Maximum Temperature Limits (diaphragm / ball / seat material)**  
 Acetal..... 10° to 180° F (-12° to 82° C)  
 E.P.R. / EPDM..... -60° to 280° F (-51° to 138° C)  
 Kynar® PVDF..... 10° to 200° F (-12° to 93° C)  
 Hytrel® ..... -20° to 150° F (-29° to 66° C)  
 Neoprene ..... 0° to 200° F (-18° to 93° C)  
 Nitrile® ..... 10° to 180° F (-12° to 82° C)  
 Polypropylene..... 35° to 175° F (2° to 79° C)  
 Viton® ..... -40° to 350° F (-40° to 177° C)  
 Santoprene®..... -40° to 225° F (-40° to 107° C)  
 PTFE..... 40° to 225° F (4° to 107° C)

**Noise Level @ 70 p.s.i., 60 c.p.m.....** 62.3 db(A)①

① The pump sound pressure levels published here have been updated to an Equivalent Continuous Sound Level ( $L_{Aeq}$ ) to meet the intent of ANSI S1.13-2005, CAGI-PNEUROP S5.1.

Mounting Adapter Plate Optional Accessory Kit (24123879) available. Please contact your nearest **ARO / Ingersoll Rand** customer service or distributor for details.

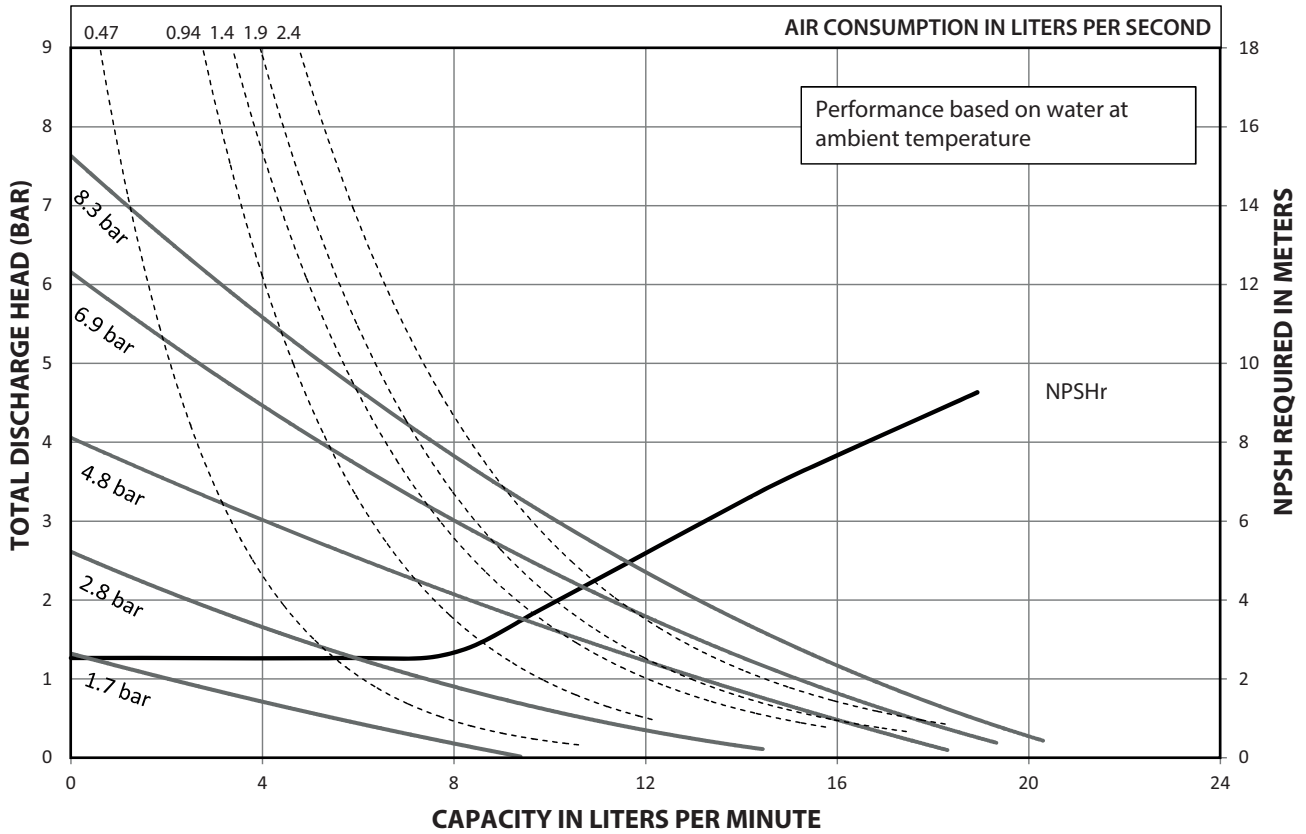
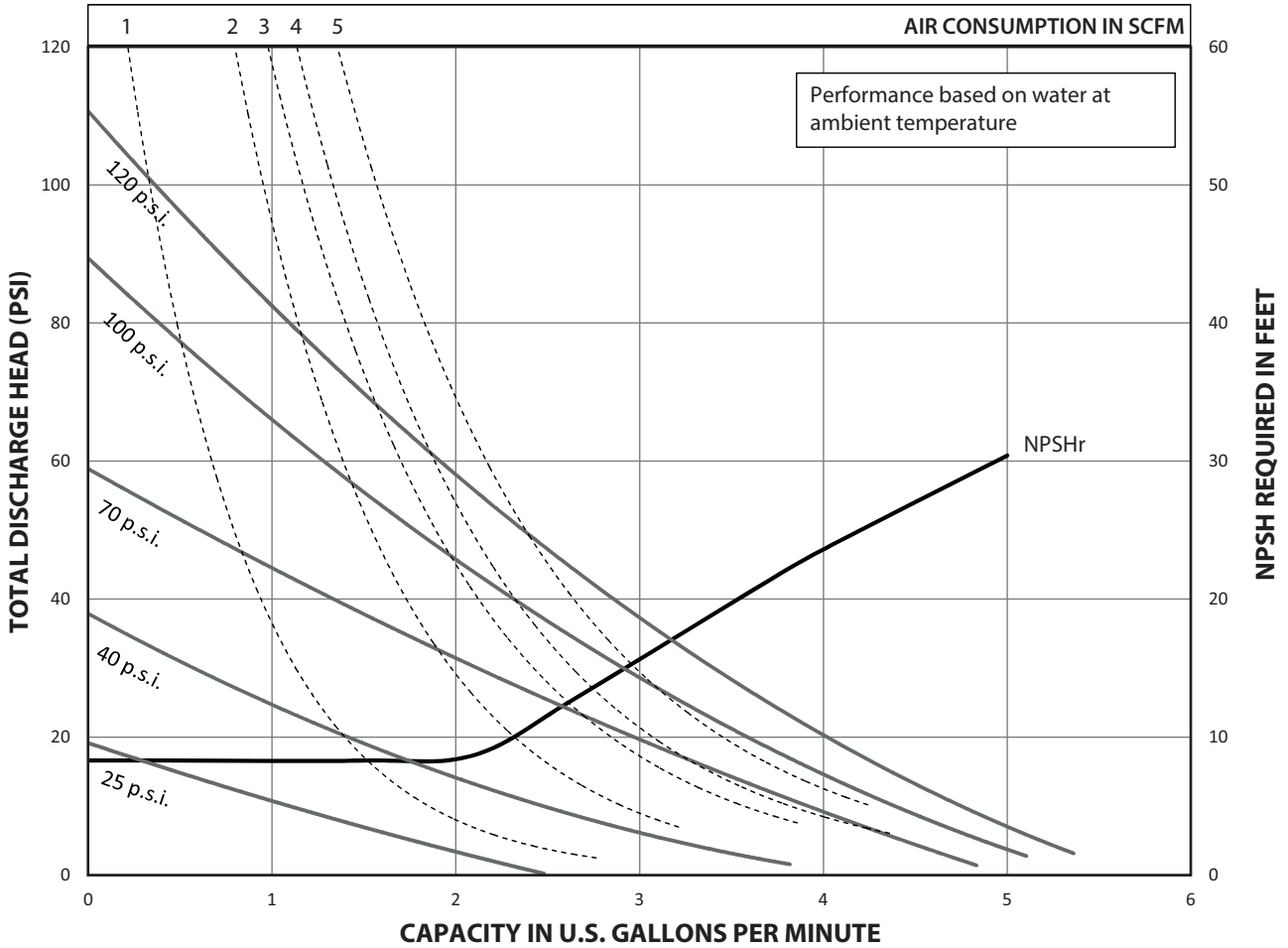
### DIMENSIONS

Dimensions shown are for reference only, they are displayed in inches and millimeters (mm).

A - 7.2" (182 mm)	H - 1.9" (48.6 mm)	Q - 1/4 - 18 PTF SAE Short
B - 3.9" (100.0 mm)	J - 2.4" (61 mm)	R - 3/4-14 NPTF
C - 4.6" (117.0 mm)	K - 3.9" (99 mm)	S - 1/4 NPTF / BSPT Hybrid
D - 6.8" (173.0 mm)	L - 2.1" (53 mm)	T - 1/4 NPTF / BSPT Hybrid
E - 0.3" (8.8 mm)	M - 3.2" (81 mm)	U - 3/4-14 NPTF
F - 6.1" (156 mm)	N - 7.2" (184 mm)	V - 1/4 NPTF
G - 0.8" (20.7 mm)	P - 5.6" (142.2 mm)	

# PERFORMANCE CURVES

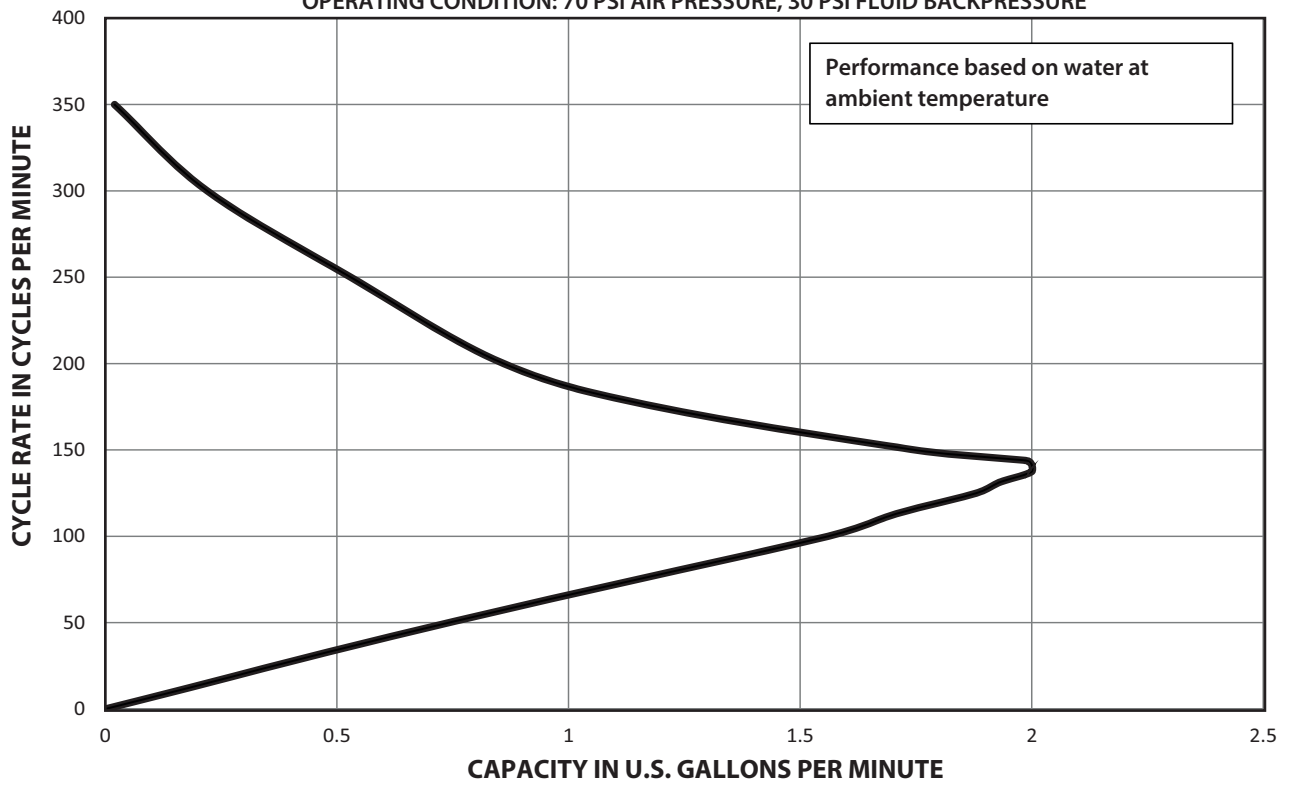
## PD01P-XXS-XXX 1/4" NON-METALLIC DIAPHRAGM PUMP



# PERFORMANCE CURVES

## PE01X-XXX-XXX SOLENOID-CONTROLLED TIME-BASED FLOW RATE

OPERATING CONDITION: 70 PSI AIR PRESSURE, 30 PSI FLUID BACKPRESSURE



OPERATING CONDITION: 4.8 BAR AIR PRESSURE, 2.1 BAR FLUID BACKPRESSURE

