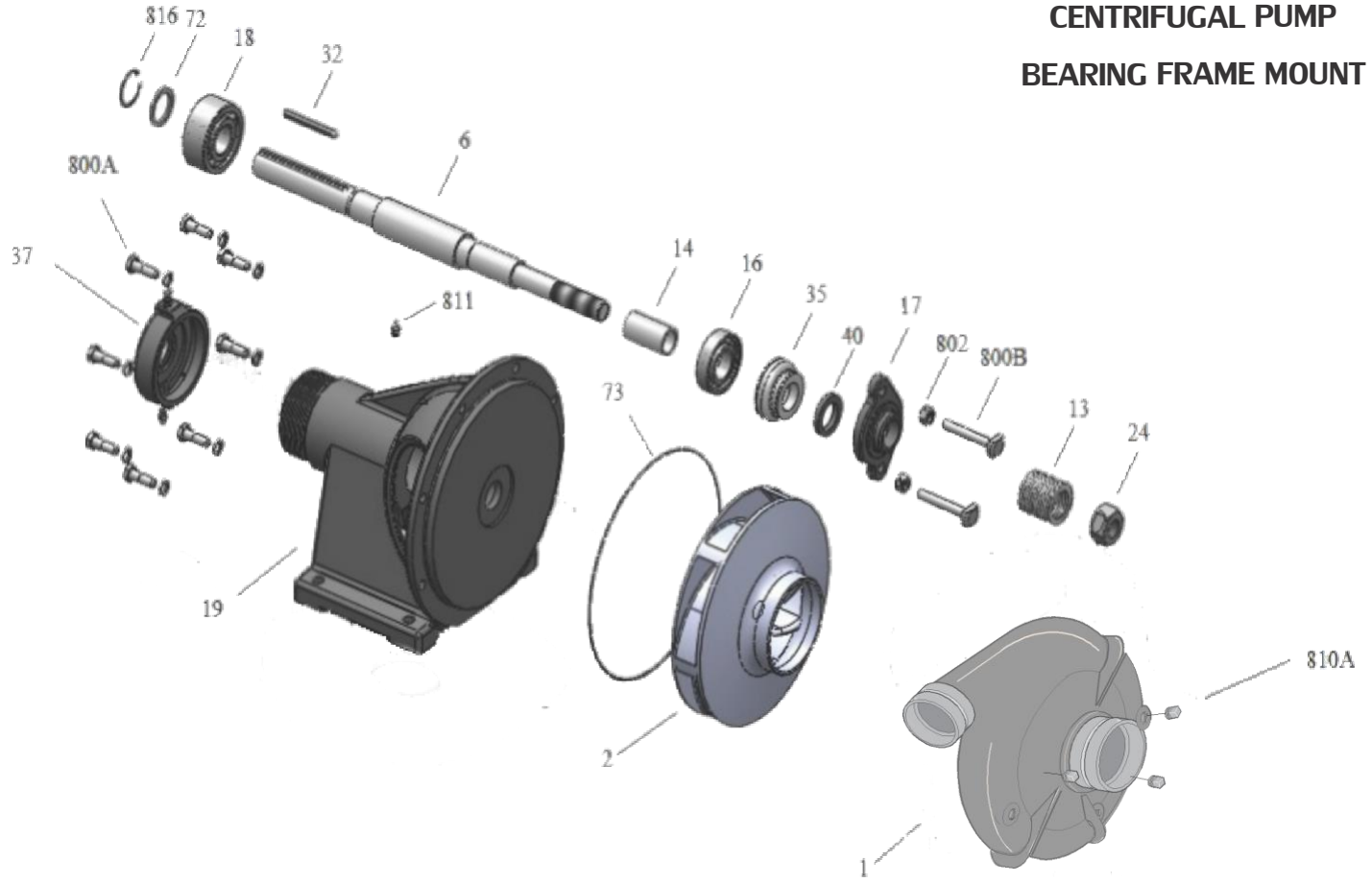




Victaulic Case
(Clamp)

TYPE "B" SINGLE STAGE CENTRIFUGAL PUMP BEARING FRAME MOUNT



Item No.	Part Description	Part No.
1	Case, Volute	See Table 1
2	Impeller	See Table 1
6	Shaft (Not sold separately)	See Note 2
13	Ring, Packing (Set of 6)	Z22041
14	Sleeve, Shaft	Z72150
16	Bearing, Ball	Z07231
17	Gland, Packing (See Note 1)	Z84940
18	Bearing, ball	Z17231
19	Frame	Z35500
24	Locknut, Impeller (CCW)	Z02201
32	Key, 1/4x2-1/8"	Z55242
40	Slinger, Water	Z06221
35	Inner Bearing Cap	Z33091
37	Outer Bearing Cap Assembly	Z41991
72	Ring, Thrust	Z81292
73	O-Ring Gasket, Volute	Z62150
800A	Capscrew, Hex 3/8-16x1" (8 Reg.)	Z62862
800B	Bolt, Sq. Head 3/8-16x2-1/2" (2 Reg.)	Z26732
802	Nut, Hex 3/8-16 (2 Reg.)	Z34332

* Includes grease fitting and set screw

TABLE I

B/M No.	Rotation	Volute Case	Impeller	Impeller Diameter
Z99866	CW	Z98600	Z35120	9.00"
Z59866	CCW	Z89600	Z18120	9.00"

Item No.	Part Description	Part No.
810A	Plug, Pipe 1/4NPT (4 Req.)	Z51732
811	Fitting, Grease	Z07632
816	Ring, Retaining	Z01032

1) Shaft Replacement Kit available for this model
 2) Pump Shaft sold in shaft replacement kit only.
 Aqua Truck Shaft Kit Part Number: Z89608 for CW, Z69608 for CCW.

AQUATRUCK PUMP
 5044 Industrial Rd. Suite C
 Farmingdale, NJ 07727
 P: (800) 810-1053 F: (732) 223-3222
 E: info@aquatruckpumps.com